

Product Series Code : GSCM	Brand : GOTREND
File Version : GSCM-AM-V1R2	Editor : Teddy
Established Date : 2016.12.07	Description : SMD Common Mode Choke
Latest Edit Date : 2017.05.25	Pages : 2 / 5

Features & Application :

1. Exclusive square type closed magnetic core designed as an exclusive core is used, so it can be small while maintaining the same features.
2. Low profile design makes it optimal for surface mounting.
3. Excellent impedance characteristics, making it great for suppressing common mode noise.
4. Common mode noise countermeasure for electronic controller DC power lines and power supply lines for car multi-media equipment and various electronic devices.

Product Identify :

Pin Foot	EMI	Color	Made In
SMD	Shield	Black	Taiwan

RoHS

Cd :	Max. 0.01wt%
Others:	Max. 0.01wt%

Haloge

Br :	Max. 900ppm wt
Cl :	Max. 900ppm wt
Br + Cl :	Max. 1500ppm wt

Part No. Example :

PN	:	GSCM	907048	P - 701 - 2P - AM			
----		-----	-----	-----			
ID	:	1	2	3	4	5	6
1	:	GOTREND Series Code					
2	:	Dimension Code : 706035 = (L) 7.0 x (W) 6.0 x (H) 3.5 mm					
3	:	RoHS Compliant					
4	:	[Z] Value : Impedance 701 = 700 Ohm					
5	:	2P : Terminal Lines					
6	:	For automotive power line					

Operating & Storage Condition :

- 1.Storage Condition : -40 ~ +125°C / RH 65 ± 10%
- 2.Storage Life Time : 6 Months @ 20°C / RH 65% (no seal off)
- 3.Operating Condition : -40 ~ +125°C (Including self-temperature rise)

Attention & Caution:

- * Keep out of splashing water or salt water
- * Toxic Gas (Hydrogen sulfide, Sulfurous acid, Chlorine, Ammonia)
- * Vibrations or shocks which exceed the specified condition
- * Dew condense
- * Please be careful for the stress to this product by board flexure or something after the mounting.

Test Condition :

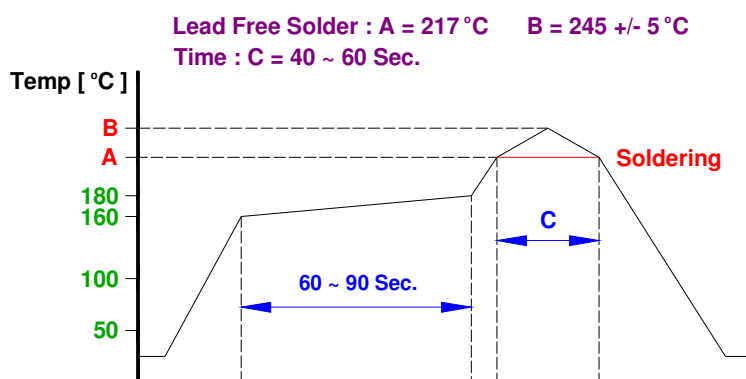
- Equipment :
- 1.L – WK3260 LCR Meter
 - 2.RDC – Twintex TM8089A
 - 3.IDC – WK3260 + 3265B DC-Bias
 - 4.Dimension - Mitutoyo
 - 5.Temperature – TECPEL 305A

Ambient : Temperature 20 ± 5 ° C
Humidity RH 65 ± 20%

If there may be any doubt on the test result, Measurement shall be made within the following limits:

Ambient : Temperature 25 ± 5 ° C
Humidity RH 75 ± 10%

Recommend IR Reflow Curve : GTX-IR-FILE001

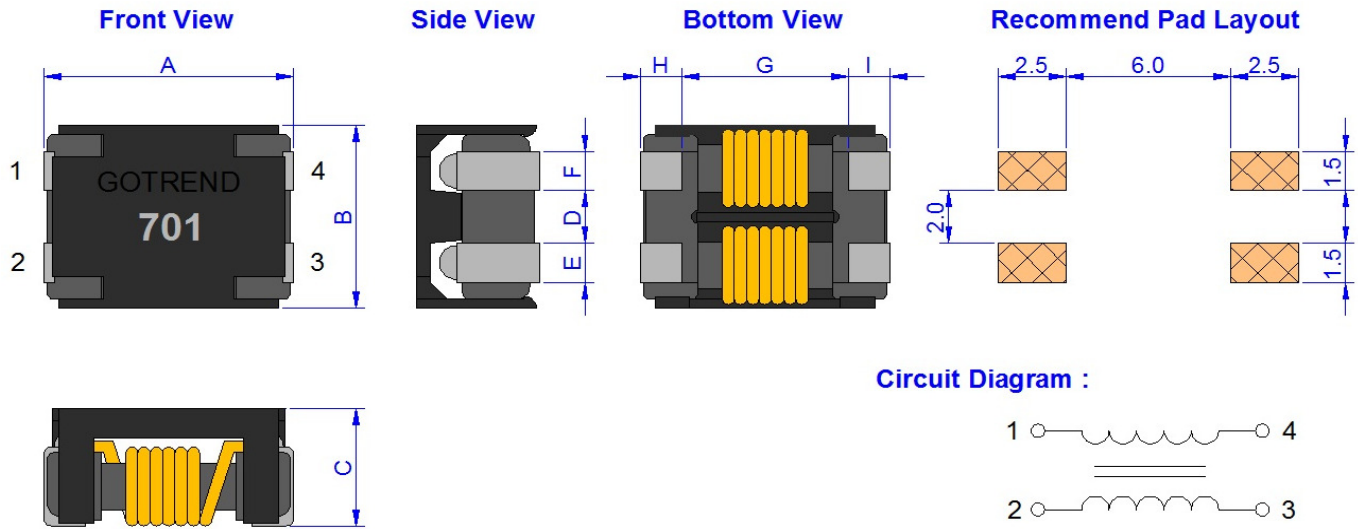


Notice : Iron Soldering , Solder < 30 Watt , Direct touch the terminal x 3 Sec. Max. @ 350 °C

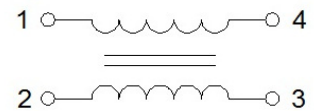


Product Series Code : GSCM	Brand : GOTREND
File Version : GSCM-AM-V1R2	Editor : Teddy
Established Date : 2016.12.07	Description : SMD Common Mode Choke
Latest Edit Date : 2017.05.25	Pages : 3 / 5

Dimensions [mm] :



Circuit Diagram :



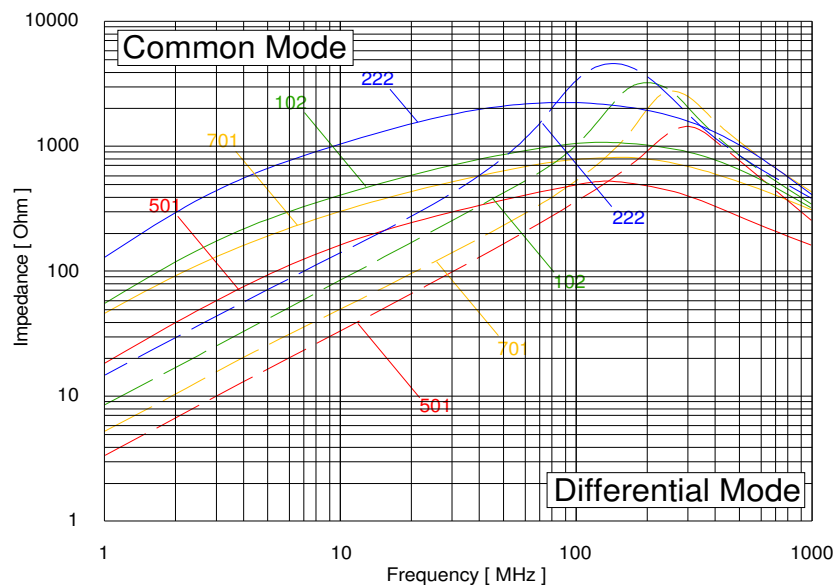
Size Code	A (+/-0.2)	B (+/-0.2)	C (Max.)	D (+/-0.2)	E (+/-0.2)	F (+/-0.2)	G (Ref.)	H (+/-0.2)	I (+/-0.2)
907048	9.00	7.00	4.80	2.00	1.50	1.50	6.00	1.50	1.50

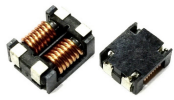
Electrical Characteristics :

GOTREND PN	Common Mode Impedance @100MHz (Ω) Min. / Typ.	DC Resistance N1 , N2 (mΩ) Max.	Rated Current (A) Max.	Insulation Resistance (M Ohm) Min.	Rated Voltage (V) Max.	Marking
907048P-501-2P-AM	350 / 500	8.0	6.0	10.0	80.0	501
907048P-701-2P-AM	500 / 700	10.0	5.0	10.0	80.0	701
907048P-102-2P-AM	750 / 1000	15.0	4.0	10.0	80.0	102
907048P-222-2P-AM	1650 / 2200	100.0	2.0	10.0	80.0	222

■ Rated Current : The actual value of DC current when the top surface of test sample temperature rise is $\Delta T = 40^{\circ}C$ ($T_a = 25^{\circ}C$).

Impedance - Frequency Characteristics :

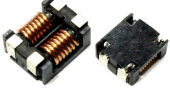




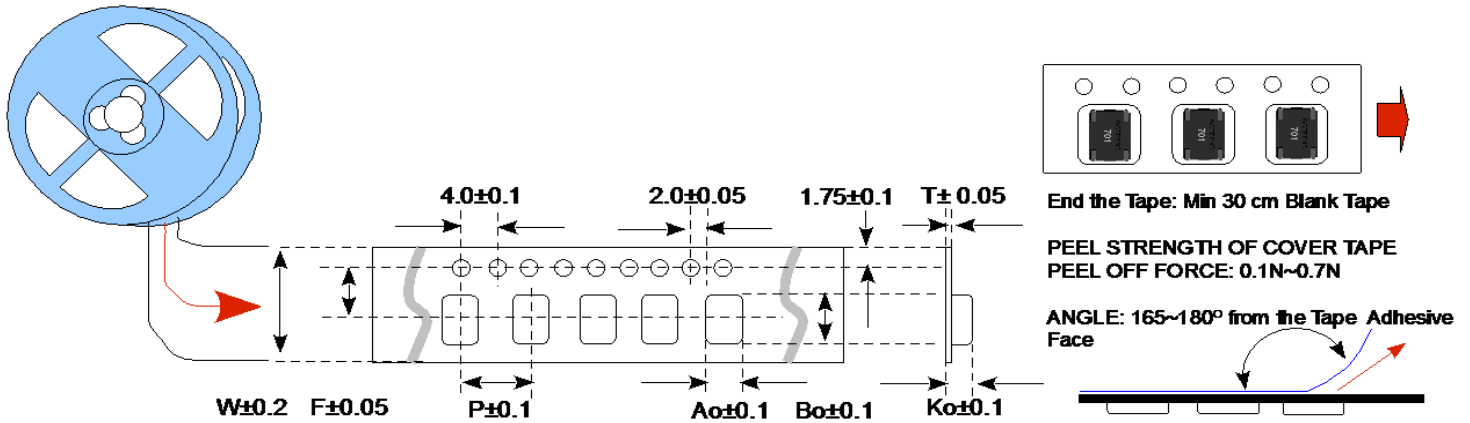
Product Series Code : GSCM	Brand : GOTREND
File Version : GSCM-AM-V1R2	Editor : Teddy
Established Date : 2016.12.07	Description : SMD Common Mode Choke
Latest Edit Date : 2017.05.25	Pages : 4 / 5

Reliability :

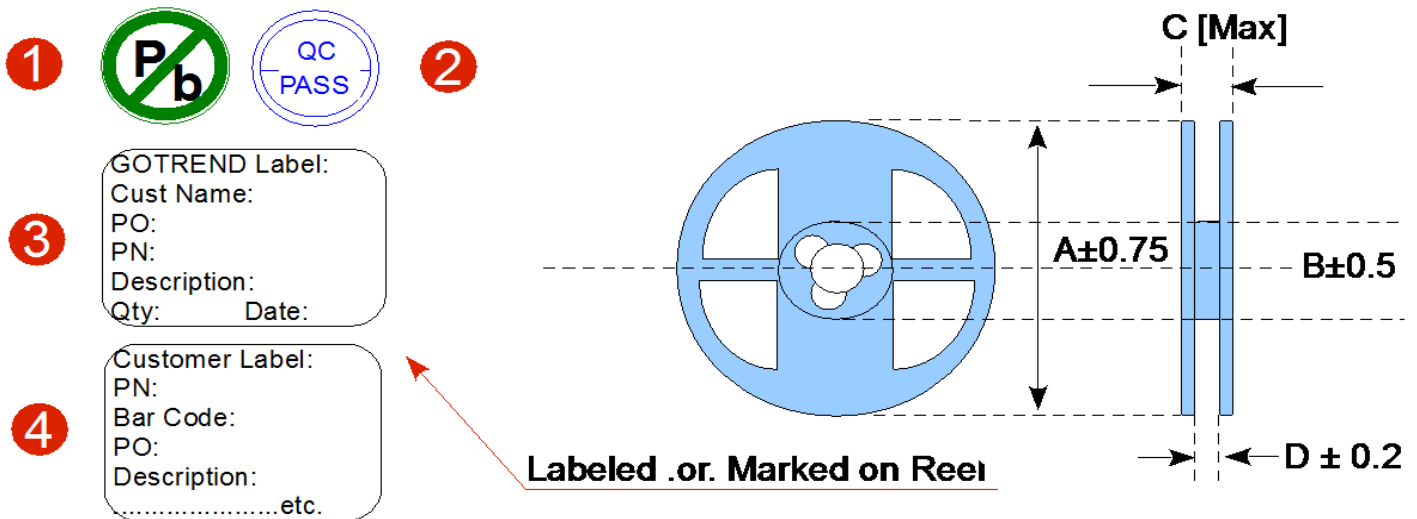
SN	Test Item	Test Condition	Specification		
1	Dimension	Actual Size ...	Meet Spec		
2	Thermal Shock (Temperature Cycle)	Temperature : -40°C/+125°C kept stabilized for 30 min. each Cycle : 100 Cycles (power off)	Elec. no variation Appearance no deformation		
3	Humidity Resistance	Humidity : 90% ~ 95% RH Temperature : 60 ± 2°C , Test Time : 96 ± 2 Hours	Elec. no variation Appearance no deformation		
4	HighTemperature	Temperature : 125 ± 2°C Testing Time : 96 ± 2 Hours	Elec. no variation Appearance no deformation		
5	Low Temperature	Temperature : -40 ± 2°C Time : 96 ± 2 Hours	Elec. no variation Appearance no deformation		
6	Temperature and Humidity Cycle	Temperature	Humidity	Time	Elec. no variation Appearance no deformation
		25°C	90% ~ 95% RH	3.0 Hr	
		55°C	95% ~ 96% RH	5.0 Hr	
		25°C	90% ~ 95% RH	3.0 Hr	
		Cycle : 20 Cycles			
7	Vibration	Frequency : 10Hz ~ 55Hz , Amplitude : 1.5 mm Direction : X , Y , Z , Time : 2 Hours each	Elec. no variation Appearance no deformation		
8	Solderability	Go through real SMT IR-Reflow The profile like our suggest profile. Preheat : 160 ± 10°C (90 sec) Peak : 245 ± 5°C Peak Time : 50 Sec. / up 217°C	Elec. no variation Appearance no deformation		
9	Soldering Heat Resistance	Preheat : 160 ± 10°C (90 sec) Solder : Sn / Ag / Cu (Pb Free) Solder Temp. : 260 ± 5°C , Time : 3 ± 1 seconds	Elec. no variation Appearance no deformation		
10	Iron Solder Heat Resistance	Solder Temp. : 350 ± 5°C Flux : Rosin , Time : 3 ± 1 seconds	Elec. no variation Appearance no deformation		
11	Bending Strength	<p>Unit : mm</p> <p>Force : 1Kg / min.</p>	Elec. no variation Appearance no deformation		
12	Flexure Strength	<p>Unit : mm</p> <p>Solder cream 0.15 mm</p>	Elec. no variation Appearance no deformation		
13	Terminal Strength	<p>Mount on PCB Solder Cream 0.15 mm</p> <p>Push 10N force to X , Y direction</p>	Elec. no variation Appearance no deformation		
14	High-Voltage	100 V DC between core & winding	Elec. no variation Appearance no deformation		
15	Load life	Temperature : 25 ± 3°C Load : Allowed DC Current , Test Time : 96 ± 2 Hours	Elec. no variation Appearance no deformation		

	Product Series Code : GSCM	Brand : GOTREND
	File Version : GSCM-AM-V1R2	Editor : Teddy
	Established Date : 2016.12.07	Description : SMD Common Mode Choke
	Latest Edit Date : 2017.05.25	Pages : 5 / 5

Package :



Size	W	P	Ao	Bo	Ko	T	F
907048	16.0	12.0	7.60	9.60	4.60	0.40	7.5



Size	A	B	C	D	Reel Size	Qty / Reel
907048	330	100	20.4	16.4	13"	1000

Unit : [cm]

6 Inner Small Box in Outer Large Box

