

Product Series Code:	GLK	Brand:	GOTREND
File Version:	GLK-V3R2	Editor:	Teddy
Established Date:	2009.08.05	Description:	Low Profile Choke
Latest Edit Date:	2013.02.23	Pages:	1 / 5

Version Information:

SN	Date	Version Code	Modify Description	Editor
1	2008.09.23	V1R0	Original build	Teddy
2	2008.10.07	V2R0	Delete an item R50 R68 R80 1R2 2R0 120 150 180 220 270 330 390 470 560 680	Teddy
3	2009.02.09	V2R1	Add new item 2R5 ; Marking : [K]	Teddy
4	2009.03.23	V2R2	Add new item 220 ; Marking : [L]	Teddy
5	2009.06.17	V2R3	Add Irms and GLK2515 SERIES	Teddy
6	2009.06.24	V2R4	Add GLK25XX Type Dimensions " D " size : 1.0 mm ----> 0.3 mm	Teddy
7	2009.07.14	V2R5	Add GLK2510P new item 1R2 ; Marking : [N]	Teddy
8	2009.07.15	V2R6	Add GLK2515P new item 220 ; Marking : [J]	Teddy
9	2009.07.30	V2R7	Add GLK2510P / 2515P Package Reel Size : 7" -> 13" and Qty. : 1000pcs -> 4000pcs	Teddy
10	2009.08.05	V2R8	Add GLK2515P-100 / 220 " K " Tolerance	Teddy
11	2010.10.20	V2R9	Add GLK2515P new item 330 ; Marking : [P] and 470 ; Marking : [W]	Teddy
12	2010.10.29	V3R0	Add Special Code for Series : [G] = Epoxy coating with winding	Teddy
13	2011.06.07	V3R1	Add GLK2515P-120K / 150K	Teddy

Custom-Made Design Specification:

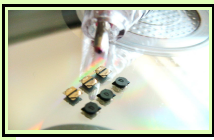
GOTREND PN	Inductance @ 100KHz / 0.1V (uH)	L-Tolerance M=20% N=30%	Isat-1 @ L-Drop 10% (mA / Typ.)	Isat-2 @ L-Drop 35% (mA / Typ.)	Irms @ $\Delta T=40^{\circ}C$ (mA / Max.)	RDC (m Ohm / Typ.)	RDC (m Ohm / Max.)	Marking

★ Important Declaration 重要聲明:

Human Life Declaration: If any application in/on human life about device like Aircraft / Medical Equipment / Automobile...etc, the approval must be passed by your unique and detail test or evaluation result. GOTREND Tech. only responsible for our items cost and possible rework charge !
 客戶端生命相關之產品應用,如醫療,航太,車用..等直接人命相關之設備,必須根據客戶特別且仔細之測試驗證,確保研發及量產的產品最終品質,高創科技將僅對不良零件本身之價值及相關直接重工的費用負責!

謝謝您的採用,任何問題,請發電郵反映,或來電工程部洽詢!

Thanks for your patronage,if any question,PLS feel free Email contact or call for service !
<http://www.gotrend.com.tw> E.mail: service@gotrend.com.tw



Product Series Code:	GLK	Brand:	GOTREND
File Version:	GLK-V3R2	Editor:	Teddy
Established Date:	2009.08.05	Description:	Low Profile Choke
Latest Edit Date:	2013.02.23	Pages:	2 / 5

*** Features & Application:**

- 1.Power supply PWM circuit input / output inductor
- 2.Power line noise suppression
- 3.DC-DC Converter
- 4.To help you go pass CE/FCC standard
- 5.TFT/ WiFi/ MobilePhone/ MP3/ PDA.....etc. Application
- 6.Low Profile for all compact design

*** Product Identify:**

Pin Foot	EMI	Color	Made In
SMD	Unshield	Black	China / Taiwan

RoHS Compliant – SGS Test Report

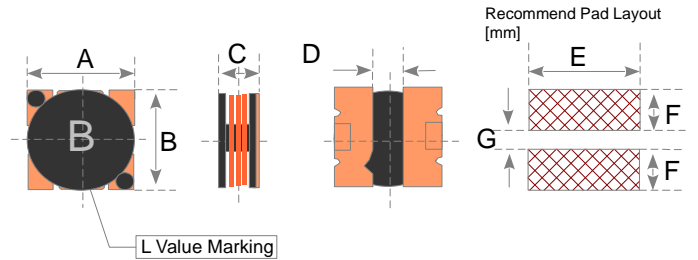
Pb	Cd	Hg	Cr+6	PBB	PBDE
<1000ppm	ND	ND	ND	ND	ND

*** Part No. Example:**

PN	GLK	2510	P []	- 2R2	M []	
ID	1	2	3	4	5	6 7

- 1 GOTREND Series Code
- 2 Dimension Code : 2510 = (L) 2.5 x (W) 2.4 x (H) 1.0 mm
- 3 RoHS Compliance
- 4 **Special Code for Series : [G] = Epoxy coating with winding**
- 5 Inductance : 2R2 = 2.2uH Ex: 100=10uH, 101=100uH
- 6 Tolerance : K=10%, M=20%, N=30%
- 7 **Special Code for specific item : S=Custom Design**

*** Dimensions: [mm]**



Type	Size Code	A (Max.)	B (Max.)	C (Max.)	D (Ref.)	E (Ref.)	F (Ref.)	G (Ref.)
GLK	2510	2.5	2.4	1.0	0.3	2.7	0.8	1.0
GLK	2515	2.5	2.4	1.5	0.3	2.7	0.8	1.0

*** Operating & Storage Condition:**

- 1.Storage Condition -40 ~ +105 ° C / RH 65 ± 10%
- 2.Storage Life Time 6 Months @ 20 ° C / RH 65% (no seal off)
- 3.Operating Condition -40 ~ +105 ° C (Including self-temperature rise)

*** Schematic:**



Attention & Caution:

- * Keep out of splashing water or salt water
- * Toxic Gas (Hydrogen sulfide, Sulfurous acid, Chlorine, Ammonia)
- * Vibrations or shocks which exceed the specified condition
- * Dew condense
- * Please be careful for the stress to this product by board flexure or something after the mounting.

*** Test Condition:**

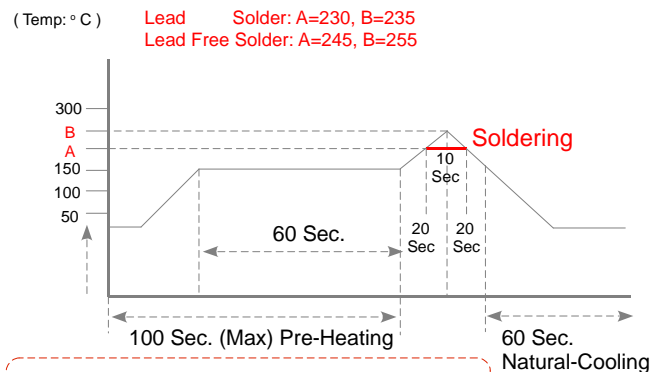
- Equipment**
- 1.L – WK3260 LCR Meter
 - 2.RDC – Twintex TM8089A
 - 3.IDC – WK3260+3265B DC-Bias
 - 4.Dimension - Mitutoyo
 - 5.Temperature – TECPEL 305A

Ambient Temperature 20 ± 5 ° C
Humidity RH 65 ± 20%

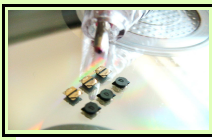
If there may be any doubt on the test result, Measurement shall be made within the following limits:

Ambient Temperature 25 ± 5 ° C
Humidity RH 75 ± 10%

*** Recommend IR Reflow Curve: GTX-IR-FILE001**



Notice: Iron Soldering, Solder < 30 Watt, Direct touch the terminal x 3 Sec. Max. @350 ° C



Product Series Code:	GLK	Brand:	GOTREND
File Version:	GLK-V3R2	Editor:	Teddy
Established Date:	2009.08.05	Description:	Low Profile Choke
Latest Edit Date:	2013.02.23	Pages:	3 / 5

GOTREND PN	Inductance @100KHz / 0.1V (uH)	L-Tolerance	Isat-1 @L-Drop 10% (mA / Typ.)	Isat-2 @L-Drop 35% (mA / Typ.)	Irms @ $\Delta T=40^{\circ}C$ (mA / Max.)	RDC (m Ω / Typ.)	RDC (m Ω / Max.)	Marking
GLK2510P-1R0□	1.00	M / N	1700	1800	1200	145.0	190.0	A
GLK2510P-1R2□	1.20	M / N	1500	1600	1150	160.0	210.0	N
GLK2510P-1R5□	1.50	M / N	1400	1450	1100	185.0	240.0	B
GLK2510P-1R8□	1.80	M / N	1300	1350	1050	200.0	260.0	C
GLK2510P-2R2□	2.20	M / N	1200	1250	1000	230.0	300.0	D
GLK2510P-2R5□	2.50	M / N	1100	1200	950	250.0	320.0	K
GLK2510P-3R3□	3.30	M / N	1050	1100	850	300.0	390.0	E
GLK2510P-4R7□	4.70	M / N	920	960	750	360.0	470.0	F
GLK2510P-5R3□	5.30	M / N	820	850	600	520.0	680.0	G
GLK2510P-6R8□	6.80	M / N	730	800	550	590.0	770.0	H
GLK2510P-8R2□	8.20	M / N	650	720	480	730.0	950.0	I
GLK2510P-100□	10.00	M	550	620	400	980.0	1250.0	J
GLK2510P-220□	22.00	M	420	450	280	1780.0	2150.0	L
GLK2510P-330□	33.00	M	320	370	200	2930.0	3500.0	P
GLK2510P-470□	47.00	M	280	310	170	3790.0	4550.0	W

■ L value test frequency : @ 100KHz / 0.1V

■ L-Tolerance : M = $\pm 20\%$, N = $\pm 30\%$

■ The Isat1 is the current at which the inductance decreases by 10% from the initial value

■ The Isat2 is the current at which the inductance decreases by 35% from the initial value

■ The Irms is the current at which the temperature rise is $\Delta T < 40^{\circ}C$, whichever ($T_a = 20^{\circ}C$) .

GOTREND PN	Inductance @100KHz / 0.1V (uH)	L-Tolerance	Isat-1 @L-Drop 10% (mA / Typ.)	Isat-2 @L-Drop 35% (mA / Typ.)	Irms @ $\Delta T=40^{\circ}C$ (mA / Max.)	RDC (m Ω / Typ.)	RDC (m Ω / Max.)	Marking
GLK2515P-1R0□	1.00	M / N	2330	2750	1520	74.2	89.0	A
GLK2515P-1R5□	1.50	M / N	2160	2330	1440	92.7	115.0	B
GLK2515P-2R2□	2.20	M / N	1750	1880	1080	139.5	168.0	C
GLK2515P-3R3□	3.30	M / N	1400	1540	880	211.6	254.0	D
GLK2515P-4R7□	4.70	M / N	1200	1300	840	248.9	298.0	E
GLK2515P-5R6□	5.60	M / N	1080	1200	680	339.8	408.0	F
GLK2515P-6R8□	6.80	M / N	950	1040	600	462.5	556.0	G
GLK2515P-8R2□	8.20	M / N	850	960	560	493.8	593.0	H
GLK2515P-100□	10.00	K / M	790	920	550	562.6	676.0	I
GLK2515P-120□	12.00	K / M	720	820	450	890.0	1110.0	L
GLK2515P-150□	15.00	K / M	600	700	400	980.0	1180.0	M
GLK2515P-220□	22.00	K / M	560	610	350	1193.0	1428.0	J

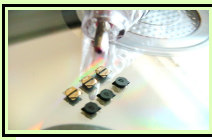
■ L value test frequency : @ 100KHz / 0.1V

■ L-Tolerance : K = $\pm 10\%$, M = $\pm 20\%$, N = $\pm 30\%$

■ The Isat1 is the current at which the inductance decreases by 10% from the initial value

■ The Isat2 is the current at which the inductance decreases by 35% from the initial value

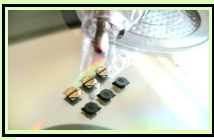
■ The Irms is the current at which the temperature rise is $\Delta T < 40^{\circ}C$, whichever ($T_a = 20^{\circ}C$) .



Product Series Code:	GLK	Brand:	GOTREND
File Version:	GLK-V3R2	Editor:	Teddy
Established Date:	2009.08.05	Description:	Low Profile Choke
Latest Edit Date:	2013.02.23	Pages:	4 / 5

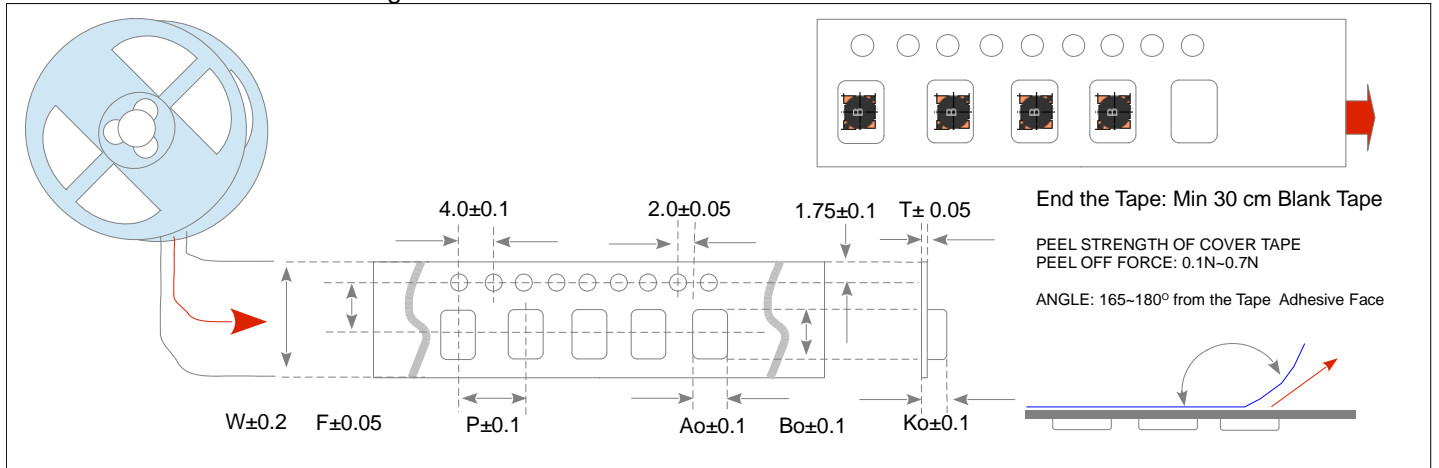
Reliability:

SN	Test Item	Test Condition	Specification	Sample Qty/pcs	Result
1	Dimension 本體相關呎吋	Actual Size ...	Meet Spec	10	Pass
2	Thermal Shock (Temperature Cycle) 溫度循環試驗	Temperature:-40 °C / +105 °C kept stabilized for 30 minutes each Cycle: 20 Cycles (power off)	Elec. no variation Appearance no deformation	10	Pass
3	Humidity Resistance 耐濕試驗	Humidity: 90%~ 95% RH Temperature: 40±2 °C Test Time: 120±2 Hours	Elec. no variation Appearance no deformation	10	Pass
4	High Temperature 耐熱試驗	Temperature: 105±2 °C Humidity: 20% Testing Time: 120±2 Hours	Elec. no variation Appearance no deformation	10	Pass
5	Low Temperature 耐寒試驗	Temperature: -40 ± 2 °C Time: 120±2 Hours	Elec. no variation Appearance	10	Pass
6	Temperature and Humidity Cycle 溫/濕度循環試驗	Temperature: 105±2 °C Humidity RH 90~95% Time: 24Hr x 8 Days	Elec. no variation Appearance no deformation	10	Pass
7	Vibration 振動性試驗	Frequency: 10Hz~55Hz Amplitude: 1.5mm Direction: X,Y,Z Time: 2 Hours each	Elec. no variation Appearance no deformation	10	Pass
8	Solderability 吃錫性試驗	Dip pads in Flux and test by Solder Pot (96.5 Sn/3.5Ag Solder) @ Temperature 255 ± 5 °C / 5 ± 1 Sec Soldering Area must be cover > 90%	Elec. no variation Appearance no deformation	10	Pass
9	IR Reflow Soldering 迴焊爐焊性試驗	Go through real SMT IR-Reflow.... Temperature Tolerance : (± 5 °C): IR temperature curve according to GTX-IR-FILE001 Cycles: x 2	Elec. no variation Appearance no deformation	10	Pass
10	Iron Solder Heat Resistance 手焊耐熱試驗	Solder Temp.: ~350 ± 5 °C Flux: Rosin Dip time: 5±1 seconds	Elec. no variation Appearance no deformation	10	Pass
11	Bending Strength 折斷力試驗	Unit: mm 10x10 R: 0.5 Force: 1Kg/ min	Elec. no variation Appearance no deformation	10	Pass
12	Flexure Strength 彎曲試驗	Unit: mm 10x20 4.5 4.5 Solder cream 0.15mm 1.2 2.0	Elec. no variation Appearance no deformation	10	Pass
13	Terminal Strength 推/拉力試驗	Mount on PCB Solder Cream 0.15mm X Y Push 10N force to X,Y direction	Must no crack and damage	10	Pass
14	High-Voltage 高壓電擊試驗	100 V DC between core & winding	Elec. no variation Appearance no deformation	10	Pass
15	ORT:on going reliability test 負載電氣試驗	Base on Spec for approval	Elec. no variation Appearance no deformation	10	Pass

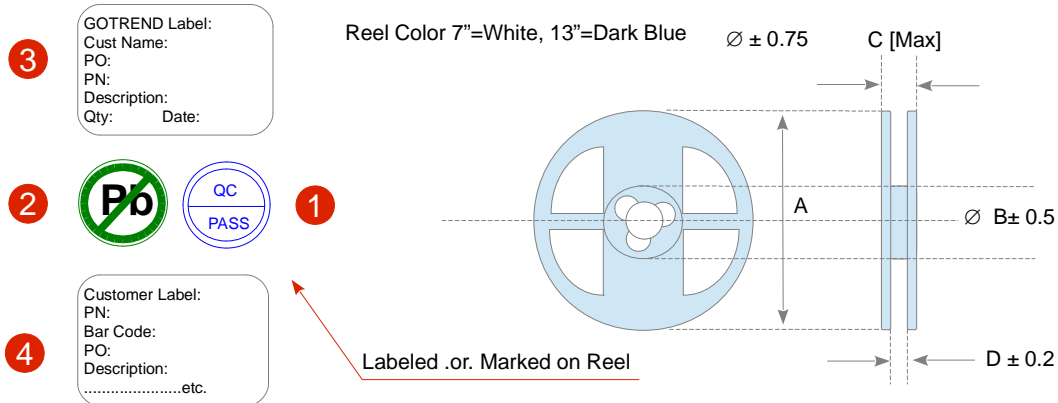


Product Series Code:	GLK	Brand:	GOTREND
File Version:	GLK-V3R2	Editor:	Teddy
Established Date:	2009.08.05	Description:	Low Profile Choke
Latest Edit Date:	2013.02.23	Pages:	5 / 5

Package :



Size / mm	W	P	Ao	Bo	Ko	T	F
2510	8.0	8.0	2.6	2.6	1.22	0.20	3.5
2515	8.0	8.0	2.6	2.6	1.60	0.20	3.5



Size / mm	A	B	C	D	Reel Size	Qty / Reel
2510	330	100	16.9	12.5	13"	4,000
2515	330	100	16.9	12.5	13"	4,000

Unit: [cm]

5 Inner Small Box in Outer Large Box

