

20th
ANNIVERSARY

GOTREND

PRODUCT CATALOGUE



Automotive



Industrial



5G



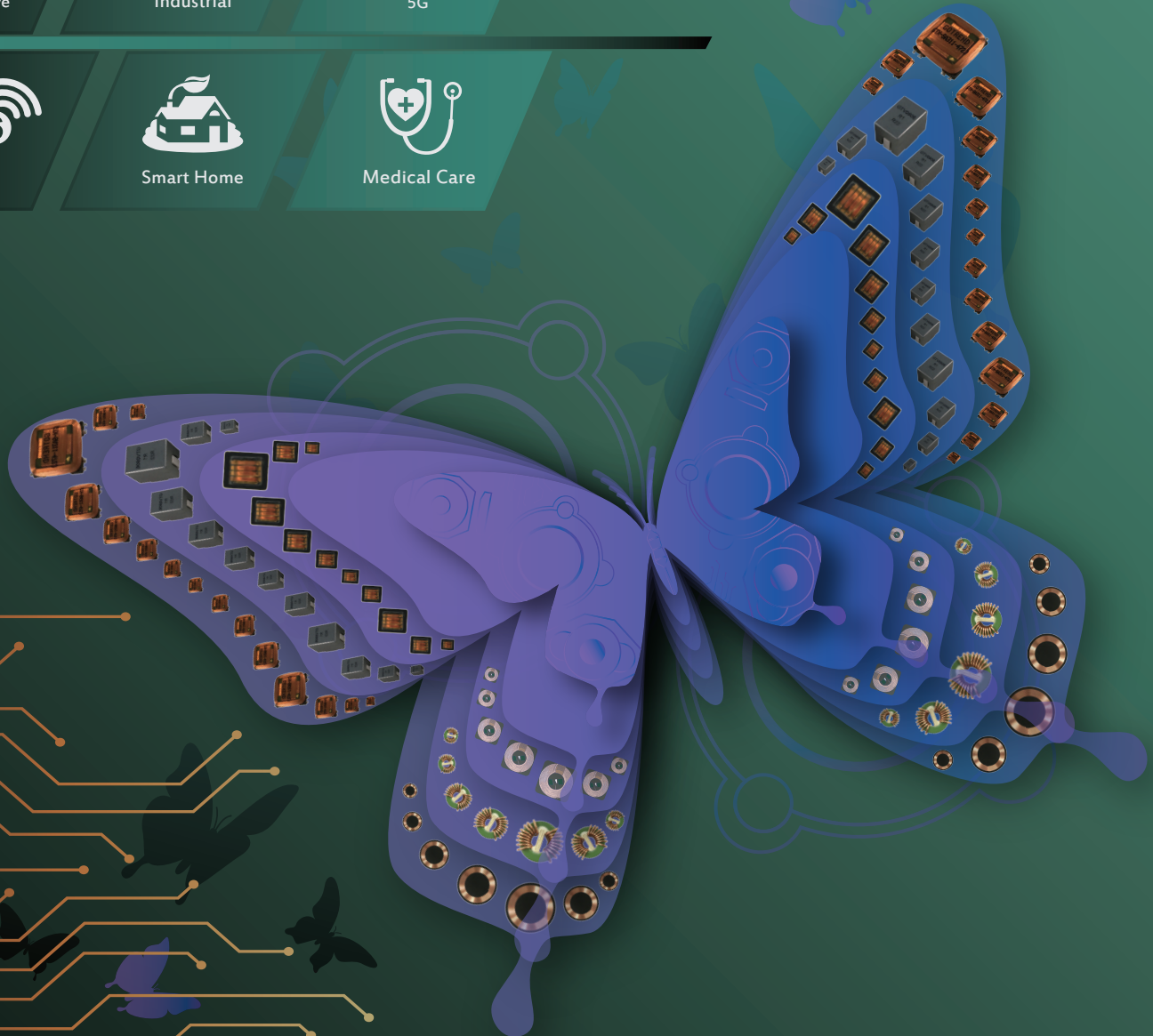
WiFi 6



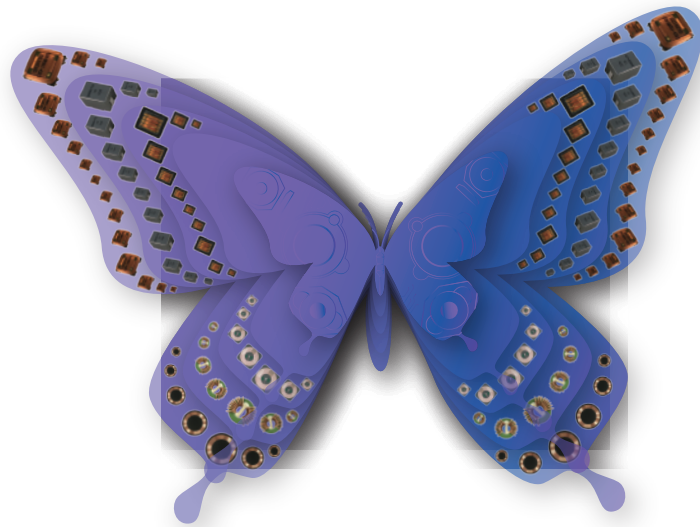
Smart Home



Medical Care



GOTREND. Go Further. Smarter



Transforming for your Success !

Transforming for your Success !

Transforming for your Success !

Transforming for your Success !

Transforming for your Success !

Transforming for your Success !



REMINDERS

- ◆ Product information in this catalog is subject to change without notice, and is for reference only. Therefore, please contact GOTREND Technology to check for the latest information before practical application or usage of the products.
- ◆ This catalog contains only typical specifications, please contact GOTREND Technology for further details if you can not find special components or information you need in this catalogue. Please also approve our product specifications or transact the approval sheet for product specifications before ordering.
- ◆ This catalogue only applies to products purchased through GOTREND Technolgy or it's official agencies. This catalogue does not apply to products that are purchased through other third parties.
- ◆ Please read Attention and CAUTION note (for storage, operating, rating, soldering, mounting and handling) in this catalog to ensure product proper usage.
- ◆ GOTREND Technology is not responsible for issues that occur related to the intellectual property rights or other rights of our company or a third party when you use a product listed in this catalog. GOTREND Technology do not grant license of these rights.
- ◆ Information and data provided in the brochure can and do vary in different applications, and actual performance may vary over time.
- ◆ "Delivery Specification" illustrating precautions for the specifications and safety of each product listed in this catalog is available and we strongly recommend to provide these delivery specifications with customers that use these products.
- ◆ For exporting of product in this catalog, please take note it may be a restricted item according to the "Foreign Exchange and Foreign Trade Control Law". In such cases, it is necessary to acquire export permission in accordance to this law.
- ◆ Any reproduction or extraction of the contents in this catalog is prohibited without prior permission from GOTREND Technology.
- ◆ Products listed in this catalog are intended for general electronic device usage under normal operation and use condition including telecommunication equipment, home appliances, sports equipment AV equipment, industrial machine, office equipment etc. Please take note that our products are not designed, intended or authorized for use in below mentioned applications unless explicitly agreed in writing between the parties to avoid product failure that could result in situation where personal injury or death could occur.
 - (1) Aerospace/Aviation equipment
 - (2) Atomic energy-related equipment
 - (3) Disaster prevention/crime prevention equipment
 - (4) Electric heating apparatus, burning equipment
 - (5) Medical equipment
 - (6) Military equipment
 - (7) Power-generation control equipment
 - (8) Public information-processing equipment
 - (9) Safety equipment
 - (10) Seabed equipment
 - (11) Transportation control equipment
 - (12) Transportation equipment (cars, electric trains, ships, etc.)
 - (13) Other applications that are not considered general-purpose applications
- ◆ Our manufacturing sites fully compliance with requirement regarding the quality management system in the automotive industry under the IATF 16949 standard. GOTREND Technology respect individual agreements with reference to customer requirements and customer specific requirements (CSR). We will like to emphasize that only requirements mutually agreed upon will in implemented in our Quality Management System taking into consideration that IATF 16949 may appear to support the acceptance of unilateral requirements. We will only legally bind to this individually agreed upon agreement under the IATF 16949 standard.
- ◆ The product itself is a powder metallurgy product, so the structure is relatively fragile, and it should not be used for products that are easy to fall. In addition, when this product is assembled, it should avoid collision with the tool or mechanism shell.
- ◆ It is not recommended to use hot air gun for disassembling of this product. When using of hot air gun to repair other parts, please also take note that long time or high temperature exposure of this product will also damage the inductance device. If you need to use the hot air gun to disassemble the product, it is recommended to adjust the hot air gun temperature to 380 deg.C±5 deg.C. The blower head of the hot air gun should be perpendicular and at least 1cm away from the product. After heating the product to the tin material melting point, use tweezers to remove the product from the PCB.



About GOTREND Technology

GOTREND was founded in the year 2000 as a professional inductor design house, manufacturer and trading company. We provide high quality inductor solutions for both traditional and smart technology trends in the Wireless Charging, Smart Living, Industry Automation, Communication and Intelligent Automotive application sectors.

Established client applications with GOTREND products inside include esteemed global brand names such as Apple, SONY, Microsoft, Toshiba, BMW, etc. We offer superior quality products for the automotive and various application markets, with excellent custom design flexibility and in the meantime conformance to high product quality standards including AEC-Q200 and IATF16949 .



GOTREND Website

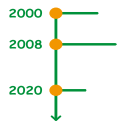
<https://www.gotrend.com.tw/>

Official GOTREND Technology website where you can understand GOTREND Technology company culture, R&D capability, product series manufacturing capability and many more....

Company Milestones

<https://www.gotrend.com.tw/history>

Understanding of GOTREND Technology company milestones starting from year 2000 till now. Discover how we are able to successfully adapting to various product technology trend and help our customer to achieve a Win-Win situation.



Global Locations

<https://www.gotrend.com.tw/locations>

Sales headquarter located in Taiwan and various sales sites covering both China and Taiwan

Green Environment

<https://www.gotrend.com.tw/environment>

Green manufacturing is our belief and all GOTREND products are in conformity with WEEE and RoHS compliance. GOTREND preferred eco-friendly manufacturing methods and materials.



IATF 16949



ISO Certification

<https://www.gotrend.com.tw/certification>

GOTREND provided automotive grade products for world class automobile manufacturers and is able to provide custom design products under AEC-Q200 standard requirements

Application Guide

<https://www.gotrend.com.tw/applications>

GOTREND products covering a wide range of application including automotive, IPC/PC/IT, mobile equipment, IoT communication, smart living, consumer products and medical usage.



Product & Customization

<https://www.gotrend.com.tw/products>

An introduction of GOTREND products and discovering of latest product development and GOTREND customization strength in different usage including wireless charging, automotive, wearable devices, communications etc.....

		Circuit Type.									
		Power Line					EMI(Noise Suppression)		Signal Line		NFC
Assembly.	Unshield.	GDO	GDOL	GLK	GSDR	GSDRT					
		GLP	GNR	GNRT	GSBS	GSDH					
		GSDK	GSDRH	GSDRK	GSDRM	GSSQ					
		GSSR	GSSR2	GSTF	GTSD	GTV					
		GXR									
	Shielding.	GAM	GSFM	GSPM	GSTC	GSTCM					
		GSTD	GSTH	GSTL	GSTM	GWCM					
		GAC*	GAL	GASC*	GCL*	GDR					
		GHDR									
Molding (Shielding)											
Dip											
Wire Wound	GNLC	GNLE	GTLQH					GTH	GTLQH		
Multilayer	GBD	GBL	GBLH	GBLM	GBLS			GBD	GBL		
						GTC	GTCH				
Common Mode	GBDC	GCMD	GCMH	GDLW	GDM	GSCM	GTHW	GTCM	GCMF	GTHW	
			(Dip)								
Others	GW (RX and TX)		GTX-Power Transformer *			GFC Series *		GLT Series *		GTX-SA - PKE *	
	GMO - Wireless Charging Module *									GTX-SA/GRFT - TPMS *	





Power Train

Engine Control/HEV/EV Motor/Transmission/BMS/OBC

Power	X'former	GTX		538
Signal	Common Mode	GSCM		502
EMI	Common Mode	GSCM		502
		GTCM		509

Chassis

Steering/EPS/Brake/ABS/Traction Control/Suspension/Chassis Control/ADAS

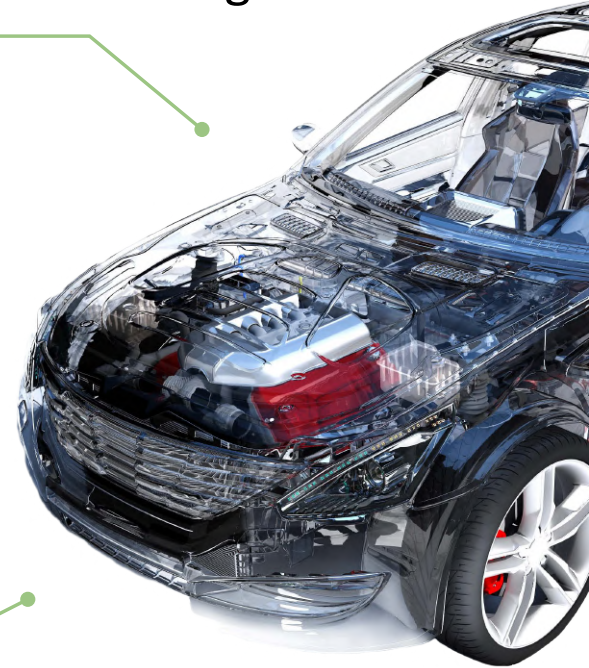
Power	Assembly Shield	GSDRK		137
		GNRT		83
		GSTM		301
	Multilayer	GBD		413
		GBL		441
		GBLH		449
	Common Mode	GTHW		526
EMI	Multilayer	GBD		413
		GBL		441
		GBLH		449
	Common Mode	GTHW		526
	Signal	Multilayer	GBD	
GBL				441
Common Mode		GTHW		526

Networking

Controller Area Network/Local Interconnect Network/Media Oriented Systems Support/Bluetooth /FlexRay/Safe-by-Wire

Power	Assembly Shield	GNR		59
	Wire Wound	GNLC		369
	Multilayer	GBLH		449
GBD			413	
GBL			441	
EMI	Multilayer	GBLH		449
		GBD		413
		GBL		441
Signal	Multilayer	GBD		413
		GBL		441

Automotive Usage

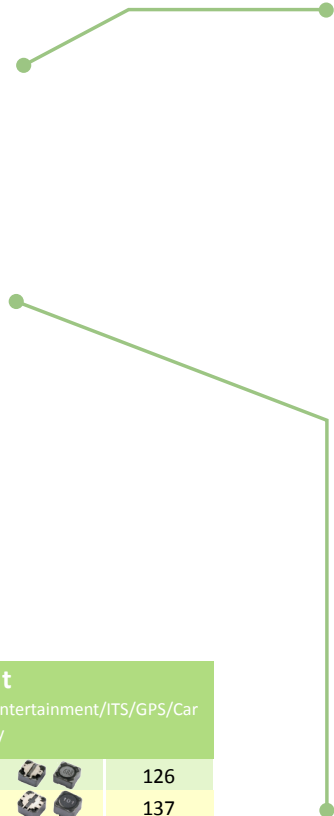
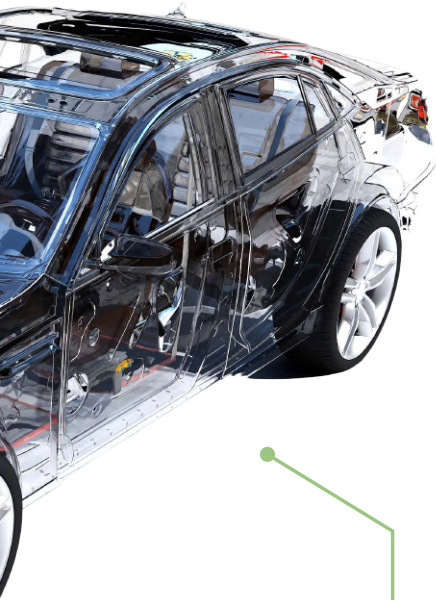























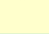

Electronic System















Alternator, Battery & Starter/Lighting/Diagnostics/In-car Data Bus




















Power	Assembly Shield	GSSR2		169	
		GSDRH		126	
		GSDRK		137	
		Molding	GSTC		237
			GSTD		249
	Dip	GSFM		202	
		GSTM		301	
		GDR		341	
		Multilayer	GBD		413
			Common Mode	GSCM	
	GDLW			497	
Power	X'former	GTX		538	
EMI	Multilayer	GBD		413	
		Common Mode	GSCM		502
		GDLW		497	
Signal	Multilayer	GBD		413	
		Common Mode	GSCM		502





Infotainment				
Dashboard/Car Audio/Connectivity Audio/Entertainment/ITS/GPS/Car Navigation Display				
Power	Assembly Shield	GSDRH		126
		GSDRK		137
		GSSR2		169
		GNR		59
	Molding	GSTC		237
		GSTD		249
		GSTM		301
	Wire Wound	GNLC		369
	Multilayer	GBD		413
			441	
			449	
Common Mode		GTHW		526
		GDLW		497
Power	Wireless Charging	GW		534
EMI	Multilayer	GBD		413
		GBL		441
		GBLH		449
	Common Mode	GTHW		526
		GDLW		497
Signal	Wire Wound	GTH		385
	Multilayer	GBD		413
		GBL		441
Common Mode	GTHW		526	

Safety and Control				
Air Bag/TPMS/Collision Warning/Parking Assist/Back Monitor/Night Vision/PKE				
Power	Assembly Unshield	GSDR		14
	Assembly Shield	GSDRK		137
		GNR		59
Wire Wound	GNLC		369	
Multilayer	GBD		413	
		GBL		441
EMI	Multilayer	GBD		413
		GBL		441
	Common Mode	GTHW		526
Signal	Multilayer	GBD		413
		GBL		441
	Common Mode	GTHW		526
NFC	PKE	GTX-SA		539
	TPMS	GRFT		546

Comfort & Control				
Power Door/Power Window/Climate Control/Seat Control/Mirror & Wiper				
Power	Assembly Unshield	GDO		1
	Assembly Shield	GSDRH		126
		GSDRK		137
	Molding	GSTC		237
				249
				301
	Multilayer	GBD		413
				526
			497	
Common Mode	GSCM		502	
			497	
			497	
EMI	Multilayer	GBD		413
		GTHW		526
	Common Mode	GSCM		502
		GDLW		497
Signal	Multilayer	GBD		413
		GTHW		526
	Common Mode	GSCM		502





3C Usage



Power Line I			
Assembly (Unshield)	GDO		1
	GDOL		7
	GSDR		14
Assembly (Shield)	GNR		59
	GNRT		83
	GSBS		111
	GSDRH		126
	GSDRK		137
	GSDRM		144
	GSSR2		169
	GSTF		172
Molding	GTV		185
	GAM		196
	GSPM		228
	GSTC		237
	GSTCM		246

Power Line II				
Molding	GSTD		249	
	GSTH		270	
	GSTL		285	
	GSTM		301	
	GWCM		324	
	GSFM		202	
	Dip	GAC*		329
		GAL		330
		GASC*		338
		GCL*		340
GCMH			487	
GDR			341	
GHDR			354	
Wire Wound	GNLC		369	
	GNLE		376	
	GRFT		546	
	GTLQH		398	
Multilayer	GBD		413	
	GBL		441	
	GBLH		449	
	GBLM		455	
	GBLS		461	
	Common Mode	GBDC		482
		GCMD		484
		GDLW		497
GDM			500	
GSCM			502	
GTHW			526	

EMI (Noise Suppression)			
Multilayer	GBD		413
	GBL		441
	GBLH		449
	GTC		470
	GTCH		477
Common Mode	GBDC		482
	GCMD		484
	GDLW		497
	GDM		500
	GSCM		502
	GTCM		509
	GTHW		526

Signal Line			
Wire Wound	GTH		385
	GTLQH		398
Multilayer	GBD		413
	GBL		441
	GTC		470
	GTCH		477
Common Mode	GTHW		526
	GCMF		529





SMD Power Inductor - Unshield Type

Series Name	Part Name	Dimension (mm)	Inductance Range (uH)						Isat (A)	Irms (A)	Page
			0.1	1	100	1000	10000	20000			
GDO	GDO0402	6.60 x 4.45 x 2.92	1.0			1000			0.1 ~ 2.9	0.07 ~ 2.9	1
	GDO0802	12.33 x 9.30 x 3.00	10			1000			0.1 ~ 2.4	0.05 ~ 2.0	
	GDO0804	12.95 x 9.40 x 5.21	1.0			1000			0.3 ~ 9.0	0.3 ~ 6.8	
	GDO0810	12.95 x 9.40 x 11.43	1.0			1000			0.8 ~ 16.0	0.1 ~ 9.2	
	GDO1306	18.54 x 15.24 x 7.11	1.0				7200		0.06 ~ 20.0	0.21 ~ 8.6	
GDOL	GDOL0806	9.00 x 6.20 x 4.90	0.18		47				0.87 ~ 14	0.72 ~ 10	7
	GDOL1205	13.20 x 9.90 x 6.40	0.33		4.7				5.4 ~ 20	4.8 ~ 16	
	GDOL2207	22.35 x 16.26 x 8.00	0.78			1000			1.0 ~ 30	0.56 ~ 15	
GLK	GLK2510	2.5 x 2.4 x 1.0	1.0		47				0.31 ~ 1.8	0.17 ~ 1.2	11
	GLK2515	2.5 x 2.4 x 1.5	1.0		22				0.61 ~ 2.75	0.35 ~ 1.52	
GSDR	GSDR31P	3.5 x 3.0 x 1.6	1.0			1200			0.057 ~ 1.6		14
	GSDR31PL	3.5 x 3.0 x 1.4	1.0		120				0.12 ~ 1.4		
	GSDR32P	3.5 x 3.0 x 2.0	0.1			330			0.10 ~ 4.5		
	GSDR43P	4.5 x 4.0 x 3.2	0.5			1000			0.08 ~ 5.5		
	GSDR52P	5.8 x 5.2 x 2.5	0.82			330			0.2 ~ 5.0		
	GSDR53P	5.8 x 5.2 x 3.5	1.0			3000			0.12 ~ 4.5		
	GSDR54P	5.8 x 5.2 x 4.5	0.5			1000			0.15 ~ 9.5		
	GSDR73P	7.8 x 7.0 x 3.5	1.0			330			0.28 ~ 7.0		
	GSDR75P	7.8 x 7.0 x 5.0	1.0			5300			0.08 ~ 7.5		
	GSDR104P	10.0 x 9.0 x 4.2	1.0			560			0.32 ~ 8.7		
	GSDR105P	10.0 x 9.0 x 5.5	1.2			10000			0.15 ~ 8.63		
	GSDR107P	10.0 x 9.0 x 7.5	1.0			15000			0.12 ~ 9.5		
GSDRT	GSDRT2610	2.60 x 2.80 x 1.00	1.0		33				0.23 ~ 1.40	0.28 ~ 1.55	36
	GSDRT2810	3.00 x 3.00 x 1.00	0.68		47				0.20 ~ 1.70	0.25 ~ 2.00	
	GSDRT3014	3.20 x 3.20 x 1.40	1.0		100				0.28 ~ 2.10	0.20 ~ 1.70	
	GSDRT3512	3.70 x 3.70 x 1.20	2.2		220				0.13 ~ 1.00	0.15 ~ 1.65	
	GSDRT3515	3.70 x 3.70 x 1.50	2.2		220				0.21 ~ 1.90	0.18 ~ 1.90	
	GSDRT3518	3.70 x 3.70 x 1.80	1.0		220				0.16 ~ 2.80	0.20 ~ 3.00	
	GSDRT5410	5.60 x 5.60 x 1.05	3.3		47				0.36 ~ 1.30	0.43 ~ 1.65	
	GSDRT5412	5.60 x 5.60 x 1.20	2.2		47				0.32 ~ 1.40	0.55 ~ 1.95	
	GSDRT5419	5.60 x 5.60 x 1.90	1.5		47				0.81 ~ 4.50	0.65 ~ 3.50	
	GSDRT7012	7.20 x 7.20 x 1.25	4.7		47				0.45 ~ 1.42	0.54 ~ 1.60	
	GSDRT7015	7.20 x 7.20 x 1.50	2.2		47				0.50 ~ 2.50	0.70 ~ 2.70	
	GSDRT7018	7.20 x 7.20 x 1.80	4.7		39				0.87 ~ 2.50	0.81 ~ 2.50	
GSDRT7020	7.20 x 7.20 x 2.00	2.2		47				1.00 ~ 4.60	0.75 ~ 3.00		

SMD Power Inductor - Shielding Type

Series Name	Part Name	Dimension (mm)	Inductance Range (uH)						Isat (A)	Irms (A)	Page
			0.1	1	100	1000	10000	20000			
GLP	GLP3210P	3.20 x 3.20 x 1.05	1.2		33				0.28 ~ 1.40	0.34 ~ 1.50	50
	GLP3216PL	3.20 x 3.20 x 1.60	1.0		22				0.34 ~ 1.40	0.48 ~ 1.80	
	GLP3216PH	3.20 x 3.20 x 1.60	0.47			100			0.28 ~ 3.40	0.24 ~ 2.20	
	GLP3218PL	3.20 x 3.20 x 1.80	1.0		27				0.28 ~ 1.36	0.42 ~ 1.80	
	GLP3218PH	3.20 x 3.20 x 1.80	1.0		22				0.74 ~ 3.40	0.45 ~ 2.16	
	GLP4212P	4.20 x 4.20 x 1.15	1.0		33				0.50 ~ 3.00	0.42 ~ 2.00	
	GLP4216P	4.20 x 4.20 x 1.60	1.0		47				0.52 ~ 3.00	0.35 ~ 2.40	
	GLP4218P	4.20 x 4.20 x 1.80	1.0			2200			0.07 ~ 3.20	0.07 ~ 2.40	



SMD Power Inductor - Shielding Type

Series Name	Part Name	Dimension (mm)	Inductance Range (uH)						Isat (A)	Irms (A)	Page
			0.1	1	100	1000	10000	20000			
GNR	GNR2510P	2.2 x 2.7 x 1.0	0.47	10					0.59 ~ 2.50	0.55 ~ 2.65	59
	GNR2512P	2.2 x 2.7 x 1.2	0.47	10				0.90 ~ 3.70	0.59 ~ 2.20		
	GNR2512PA	2.2 x 2.7 x 1.2	0.47	6.8				1.34 ~ 4.50	1.10 ~ 3.90		
	GNR2512PL	2.2 x 2.7 x 1.2	0.24	22				0.48 ~ 4.28	0.50 ~ 3.90		
	GNR3010P	3.1 x 3.1 x 1.0	1.0	47				0.27 ~ 1.95	0.32 ~ 1.70		
	GNR3012P	3.1 x 3.1 x 1.2	0.5	47				0.45 ~ 2.80	0.35 ~ 2.80		
	GNR3012PC	3.1 x 3.1 x 1.2	1.0	22				0.49 ~ 2.15	0.61 ~ 2.00		
	GNR3015P	3.1 x 3.1 x 1.5	1.0	100				0.27 ~ 2.35	0.29 ~ 2.35		
	GNR3015PC	3.1 x 3.1 x 1.5	1.0	47				0.35 ~ 2.20	0.30 ~ 2.20		
	GNR4010P	4.2 x 4.2 x 1.0	1.0	47				0.24 ~ 1.80	0.28 ~ 1.05		
	GNR4018P	4.2 x 4.2 x 1.8	0.56	220				0.27 ~ 4.50	0.17 ~ 2.20		
	GNR4018PL	4.2 x 4.2 x 1.8	0.56	330				0.25 ~ 5.50	0.27 ~ 5.40		
	GNR4020P	4.2 x 4.2 x 2.0	1.0	220				0.28 ~ 4.10	0.23 ~ 2.80		
	GNR4030P	4.3 x 4.3 x 3.0	1.0	150				0.50 ~ 5.90	0.35 ~ 3.40		
	GNR5014P	5.2 x 5.2 x 1.4	1.0	10				1.40 ~ 3.80	1.05 ~ 2.40		
	GNR5020P	5.2 x 5.2 x 2.0	0.68	47				0.60 ~ 5.00	0.58 ~ 4.00		
	GNR5040P	5.3 x 5.3 x 4.0	1.5	1000				0.21 ~ 6.00	0.19 ~ 3.60		
	GNR6012P	6.2 x 6.2 x 1.2	1.0	100				0.35 ~ 2.80	0.32 ~ 2.30		
	GNR6020P	6.2 x 6.2 x 2.0	0.8	47				0.85 ~ 4.50	0.65 ~ 5.10		
	GNR6028P	6.2 x 6.2 x 2.8	0.9	100				0.62 ~ 6.60	0.66 ~ 4.60		
GNR6040P	6.2 x 6.2 x 4.0	2.2	330				0.58 ~ 7.00	0.52 ~ 5.90			
GNR6045P	6.2 x 6.2 x 4.5	0.82	100				0.8 ~ 10.35	0.70 ~ 4.50			
GNR8040P	8.2 x 8.2 x 4.2	0.9	150				0.8 ~ 11.0	0.80 ~ 7.80			
GNRT	GNRT201610P	1.60 x 2.00 x 1.02	0.24	2.2				1.45 ~ 4.40	1.60 ~ 3.30	83	
	GNRT201610PH	1.60 x 2.00 x 1.00	0.1	2.2				1.90 ~ 7.00	1.85 ~ 5.50		
	GNRT201612P	1.60 x 2.00 x 1.20	0.24	2.2				1.60 ~ 4.80	1.50 ~ 4.00		
	GNRT2012PB	2.00 x 2.00 x 1.20	1.0	4.7				0.90 ~ 1.90	0.91 ~ 1.70		
	GNRT2410PA	2.40 x 2.40 x 1.00	0.68	22				0.39 ~ 2.20	0.30 ~ 1.57		
	GNRT2412PA	2.40 x 2.40 x 1.20	1.0	10				0.81 ~ 2.35	0.45 ~ 1.30		
	GNRT252010P	2.00 x 2.50 x 1.00	1.0	10				0.60 ~ 1.75	0.75 ~ 2.20		
	GNRT252010PB	2.00 x 2.50 x 1.02	0.47	22				0.40 ~ 2.57	0.50 ~ 2.80		
	GNRT252010PH	2.00 x 2.50 x 1.00	0.24	2.2				2.10 ~ 6.70	2.10 ~ 4.70		
	GNRT252012P	2.00 x 2.50 x 1.20	1.0	22				0.55 ~ 2.24	0.45 ~ 2.20		
	GNRT252012PH	2.00 x 2.50 x 1.20	0.24	2.2				2.00 ~ 6.50	2.20 ~ 4.70		
	GNRT3010PA	3.00 x 3.00 x 1.00	1.2	22				0.38 ~ 1.70	0.41 ~ 1.48		
	GNRT3012PA	3.00 x 3.00 x 1.20	1.0	22				0.50 ~ 2.20	0.50 ~ 1.71		
	GNRT3015P	3.00 x 3.00 x 1.50	1.0	22				0.47 ~ 2.10	0.47 ~ 2.10		
	GNRT4010PB	4.00 x 4.00 x 1.00	1.0	22				0.45 ~ 2.00	0.50 ~ 1.90		
	GNRT4012PB	4.00 x 4.00 x 1.20	1.0	22				0.50 ~ 2.80	0.62 ~ 2.20		
	GNRT4018PB	4.00 x 4.00 x 1.80	1.0	33				0.70 ~ 4.00	0.55 ~ 3.20		
	GNRT5012PB	4.90 x 4.90 x 1.20	1.0	15				1.20 ~ 4.50	0.64 ~ 2.30		
	GNRT5020PB	4.90 x 4.90 x 2.00	1.0	22				0.90 ~ 4.00	1.00 ~ 3.60		
	GNRT5040PB	4.90 x 4.90 x 4.00	1.5	22				1.50 ~ 6.40	1.40 ~ 4.50		
	GNRT6010PB	6.00 x 6.00 x 1.00	1.5	22				0.65 ~ 2.40	0.70 ~ 1.90		
	GNRT6012PB	6.00 x 6.00 x 1.20	2.5	100				0.35 ~ 2.10	0.32 ~ 1.80		
	GNRT6020PB	6.00 x 6.00 x 2.00	0.8	22				1.25 ~ 6.40	0.95 ~ 4.10		
	GNRT6028PB	6.00 x 6.00 x 2.80	0.9	100				0.65 ~ 6.70	0.66 ~ 4.60		
	GNRT6045PB	6.00 x 6.00 x 4.50	1.0	22				2.00 ~ 9.80	1.60 ~ 4.50		
	GNRT8030PB	8.00 x 8.00 x 3.00	1.0	22				1.75 ~ 7.80	1.90 ~ 6.20		
GNRT8040PB	8.00 x 8.00 x 4.00	0.9	22				2.40 ~ 13.0	2.20 ~ 7.80			





SMD Power Inductor - Shielding Type				Inductance Range (uH)						Isat (A)	Irms (A)	Page
Series Name	Part Name	Dimension (mm)	0.1	1	100	1000	10000	20000				
GSBS		GSBS63	6.2 x 6.2 x 3.0	2.2	330					0.19 ~ 2.50	111	
		GSBS73	7.4 x 7.4 x 3.5	1.0	100					0.41 ~ 3.12		
		GSBS74	7.4 x 7.4 x 4.5	1.0	330					0.27 ~ 2.88		
		GSBS104	10.4 x 10.4 x 4.8	4.7	1500					0.22 ~ 3.60		
		GSBS126	12.8 x 12.8 x 5.8	6.0	1500					0.29 ~ 3.60		
		GSBS127	12.8 x 12.8 x 6.8	2.0	220					1.0 ~ 10.0		
		GSBS128	12.8 x 12.8 x 7.8	1.2	220					1.3 ~ 13.0		
GSDH		GSDH52	5.2 x 5.2 x 2.0	1.2	100					0.43 ~ 4.20	119	
		GSDH53	5.2 x 5.2 x 3.0	1.2	100					0.50 ~ 4.75		
		GSDH74	7.3 x 7.3 x 4.5	1.2	1000					0.25 ~ 5.00		
GSDK		GSDK52	5.2 x 5.2 x 2.0	1.2	680					0.25 ~ 6.00	123	
		GSDK53	5.2 x 5.2 x 3.0	1.2	100					0.90 ~ 7.80		
GSDRH		GSDRH62	6.3 x 6.3 x 3.0	3.3	330					0.19 ~ 1.94	126	
		GSDRH64	6.3 x 6.3 x 5.0	3.3	1000					0.14 ~ 2.20		
		GSDRH73	7.3 x 7.3 x 3.5	1.0	1000					0.16 ~ 7.97		
		GSDRH74	7.3 x 7.3 x 4.5	1.8	1000					0.18 ~ 5.50		
		GSDRH124	12.0 x 12.0 x 4.5	2.4	330					0.50 ~ 4.90		
		GSDRH125	12.0 x 12.0 x 6.0	1.0	1000					0.40 ~ 9.00		
		GSDRH127	12.0 x 12.0 x 8.0	1.5	1000					0.55 ~ 9.80		
		GSDRH129	12.0 x 12.0 x 10.0	1.0	5500					0.45 ~ 16.00		
GSDRK		GSDRK74	7.8 x 7.8 x 4.5	1.0	10000					0.35 ~ 10.50	137	
		GSDRK125	12.5 x 12.5 x 6.0	2.2	1000					0.78 ~ 16.00		
		GSDRK127	12.5 x 12.5 x 8.0	0.68	6800					0.30 ~ 26.00		
GSDRM		GSDRM53	5.2 x 5.2 x 3.2	1.0	100					1.10 ~ 8.00	144	
		GSDRM74	7.8 x 7.8 x 4.5	1.0	1000					0.46 ~ 13.50		
		GSDRM104	10.5 x 10.5 x 4.6	4.7	470					0.70 ~ 9.50		
GSSQ		GSSQ310P	3.30 x 3.30 x 1.10	2.2	33					0.21 ~ 0.73	148	
		GSSQ312P	3.30 x 3.30 x 1.30	1.5	22					0.22 ~ 0.90		
		GSSQ315P	3.30 x 3.30 x 1.55	0.47	100					0.15 ~ 2.10		
		GSSQ320P	3.20 x 3.20 x 2.20	0.2	100					0.16 ~ 5.35		
		GSSQ320PLD	3.20 x 3.20 x 2.20	2.2	47					0.20 ~ 0.85		
		GSSQ418P	4.20 x 4.20 x 1.80	1.0	47					0.26 ~ 1.68		
GSSR		GSSR32	3.7 x 3.7 x 1.8	1.0	100					0.15 ~ 1.60	155	
		GSSR42	4.7 x 4.7 x 2.0	1.0	180					0.14 ~ 1.72		
		GSSR425	4.7 x 4.7 x 2.5	1.0	470					0.15 ~ 3.20		
		GSSR43	4.7 x 4.7 x 3.0	1.2	390					0.13 ~ 2.56		
		GSSR52	5.7 x 5.7 x 2.0	2.2	330					0.18 ~ 2.60		
		GSSR53	5.7 x 5.7 x 3.0	2.2	680					0.16 ~ 2.60		
		GSSR62	6.7 x 6.7 x 2.0	2.2	47					0.65 ~ 2.60		
		GSSR63	6.7 x 6.7 x 3.0	1.0	1000					0.14 ~ 4.10		
		GSSR64	6.7 x 6.7 x 4.1	1.2	1000					0.20 ~ 3.20		
GSSR2		GSSR2-104	10.2 x 10.0 x 3.8	0.33	820					0.49 ~ 12.00	0.3 ~ 8.5	169
GSTF		GSTF2814PH	28.0 x 28.0 x 14.3	2.2	33					5.9 ~ 100	30	172
		GSTF2818PL	28.0 x 28.0 x 18.0	3.3	33					9.6 ~ 93.6	28	
GTSD		GTSD32P	3.85 x 3.85 x 1.80	0.47	2200					0.035 ~ 1.84	175	
		GTSD33P	3.85 x 3.85 x 3.00	1.0	470					0.07 ~ 1.90		
		GTSD33CP	3.85 x 3.85 x 3.00	1.5	470					0.10 ~ 1.9		
		GTSD52P	5.00 x 5.00 x 2.00	0.47	470					0.10 ~ 4.0		
		GTSD53P	5.00 x 5.00 x 3.00	1.0	2200					0.05 ~ 4.00		



SMD Power Inductor - Shielding Type

Series Name	Part Name	Dimension (mm)	Inductance Range (nH)						Isat (A)	Irms (A)	Page
			1	100	1000	10000	50000	100000			
GTV	GTV986480PR1	9.80 x 6.40 x 8.00	100		300				32.5 ~ 94.0	51.0	185
	GTV107049PR1	10.40 x 7.00 x 4.95	80		220			33.0 ~ 90.0	53.0		
	GTV107049PR2	10.40 x 7.00 x 4.95	80		220			33.0 ~ 90.0	50.0		
	GTV107049PR3	10.40 x 7.00 x 4.95	80		220			33.0 ~ 90.0	50.0		
	GTV107049PR4	10.40 x 7.00 x 4.95	80		220			33.0 ~ 90.0	50.0		
	GTV108070	10.60 x 8.00 x 7.00	120		470			23.5 ~ 94.0	61.0		
GXRD	GXRD0715	7.3 x 7.3 x 1.5			2700		68000	0.50 ~ 2.40	0.50 ~ 2.40	192	
	GXRD1015	10.3 x 10.3 x 1.5			2700		47000	0.90 ~ 3.60	0.90 ~ 3.60		
	GXRD1024	10.3 x 10.3 x 2.4			2700		47000	1.27 ~ 5.00	1.20 ~ 3.80		

High Current Molding Inductor (Shielding)

Series Name	Part Name	Dimension (mm)	Inductance Range (uH)							Isat (A)	Irms (A)	Page
			0.1	0.5	1.0	5.0	10	100				
GAM	GAM201608PA	2.00 x 1.60 x 0.80			1.0		1.5			2.3 ~ 2.8	2.4 ~ 2.7	196
	GAM201610PA	2.00 x 1.60 x 1.00	0.24				2.2			2.4 ~ 6.0	1.6 ~ 4.5	
	GAM201610PB	2.00 x 1.60 x 1.00	0.24				2.2			2.1 ~ 6.0	1.7 ~ 4.4	
	GAM252010PB	2.50 x 2.00 x 1.00	0.33				2.2			2.7 ~ 6.0	2.1 ~ 4.4	
	GAM252012PL	2.50 x 2.00 x 1.20	0.24				2.2			3.1 ~ 9.0	2.5 ~ 5.4	
	GAM322512PA	3.20 x 2.50 x 1.20	0.47				2.2			4.0 ~ 9.0	2.7 ~ 5.8	
GSFM	GSFM4020P	4.4 x 4.4 x 1.9	0.1				2.2			6.5 ~ 38	5.6 ~ 18.0	202
	GSFM4020PL	4.4 x 4.4 x 1.9	0.47				4.7			4.0 ~ 14.0	5.1 ~ 13.2	
	GSFM4030P	4.4 x 4.4 x 2.8	0.47				2.2			7.0 ~ 17.0	7.2 ~ 14.0	
	GSFM4030PL	4.4 x 4.4 x 2.8			0.9		6.8			4.6 ~ 10.0	4.0 ~ 11.2	
	GSFM4040P	4.4 x 4.4 x 3.8	0.47				3.3			6.8 ~ 13.5	6.0 ~ 15.0	
	GSFM5020P	6.0 x 5.7 x 1.9	0.15				1.5			13.3 ~ 30.0	8.8 ~ 18.8	
	GSFM5030P	6.0 x 5.7 x 2.9	0.15				4.7			8.2 ~ 36.0	5.9 ~ 22.2	
	GSFM5030PL	6.0 x 5.7 x 2.9			0.56		5.6			3.5 ~ 9.0	5.9 ~ 21.0	
	GSFM5050PL	6.0 x 5.7 x 4.8					5.6	22		5.0 ~ 8.6	3.4 ~ 7.2	
	GSFM6030P	7.2 x 6.9 x By item	0.18				4.5			10.0 ~ 40.0	7.0 ~ 32.0	
	GSFM6040P	7.2 x 6.9 x 3.8	0.47				5.6			9.8 ~ 31.0	6.7 ~ 24.0	
	GSFM6050P	7.2 x 6.9 x 4.8			0.82		8.2			8.0 ~ 24.0	6.2 ~ 21.0	
	GSFM6060P	7.2 x 6.9 x 5.8			1.0		10			7.5 ~ 24.0	5.8 ~ 21.0	
	GSFM6060PL	7.2 x 6.9 x 5.8			1.0		22			5.6 ~ 18.0	5.0 ~ 19.0	
	GSFM7020P	8.4 x 8.0 x 1.85	0.27				1.0			23.0 ~ 35.0	11.0 ~ 21.0	
	GSFM7030P	8.4 x 8.0 x 2.9	0.36				10			9.0 ~ 41.0	5.0 ~ 24.0	
	GSFM7050P	8.4 x 8.0 x 4.8	0.16				5.6			13.0 ~ 76.0	10.0 ~ 34.0	
	GSFM7070P	8.4 x 8.0 x 6.7			2.2		10			10.0 ~ 19.6	7.0 ~ 17.8	
	GSFM8080P	8.9 x 8.5 x 7.7			1.8		10			11.0 ~ 28.0	8.7 ~ 24.0	
	GSFM1031PL	11.9 x 11.0 x 2.9	0.28				1.5			30.0 ~ 65.0	18.0 ~ 35.0	
GSFM1060P	11.9 x 11.0 x 5.7			0.68		10			15.0 ~ 55.0	9.0 ~ 34.0		
GSFM1010P	11.9 x 11.0 x 9.7			2.2		15			15.5 ~ 34.0	13.8 ~ 32.0		
GSFM1580P	17.5 x 16.5 x 7.7	0.4				22			19.0 ~ 111	12.0 ~ 60.0		
GSFM1510P	17.5 x 16.5 x 9.7					4.7	33		18.7 ~ 43.0	13.0 ~ 30.0		
GSFM1513P	17.5 x 16.5 x 12.7					4.7	33		19.0 ~ 44.0	14.0 ~ 31.0		
GSPM	GSPM252010P	2.70 x 2.20 x 1.00	0.47				4.7			1.9 ~ 5.5	1.7 ~ 5.7	228
	GSPM252012P	2.70 x 2.20 x 1.20	0.47				10			1.2 ~ 4.8	1.3 ~ 5.7	
	GSPM4010P	4.75 x 4.35 x 1.00	0.47				4.7			1.4 ~ 4.2	1.6 ~ 4.6	
	GSPM4012P	4.75 x 4.35 x 1.20	0.47				10			1.6 ~ 8.2	1.3 ~ 5.4	
	GSPM4015P	4.75 x 4.35 x 1.50	0.33				10			1.8 ~ 10.0	1.4 ~ 7.5	
	GSPM4020P	4.75 x 4.35 x 2.00	0.22				22			1.6 ~ 15.0	1.3 ~ 10.1	
	GSPM5012P	5.75 x 5.45 x 1.20	0.33				15			2.2 ~ 11.5	1.1 ~ 6.5	
	GSPM5020P	5.75 x 5.45 x 2.00	0.33				15			2.5 ~ 14.0	1.7 ~ 7.9	





High Current Molding Inductor (Shielding)				Inductance Range (uH)						Isat (A)	Irms (A)	Page
Series Name	Part Name	Dimension (mm)	0.1	0.5	1.0	5.0	10	100				
GSTC	GSTC252012PB	2.7 x 2.2 x 1.2	0.22			3.3				2.0 ~ 7.0	1.75 ~ 7.3	237
	GSTC042P	4.5 x 4.3 x 2.0	0.1			3.3				4.0 ~ 30	2.5 ~ 12.0	
	GSTC053P	5.2 x 4.9 x 3.0	0.1				6.8			3.5 ~ 34.0	3.0 ~ 32.0	
	GSTC061P	7.4 x 6.8 x 1.8	0.1				4.7			5.0 ~ 45.0	3.5 ~ 18.0	
	GSTC063P	7.3 x 6.8 x 3.0	0.1					10		5.5 ~ 60.0	4.0 ~ 32.5	
	GSTC104P	11.5 x 10.3 x 4.0	0.15				4.7			16.0 ~ 75.0	9.5 ~ 40.0	
	GSTC133P	13.8 x 12.8 x 3.5	0.22				4.7			22.0 ~ 65.0	9.0 ~ 38.0	
	GSTC135P	14.0 x 12.8 x 5.2	0.15					6.8		21.0 ~ 110.0	11.0 ~ 45.0	
GSTCM	GSTCM6030P	7.2 x 7.2 x 3.2	0.47					22		3.5 ~ 20.0	3.0 ~ 20.0	246
	GSTCM1040P	11.0 x 11.0 x 4.2	0.47					68		3.5 ~ 40.0	2.6 ~ 30.0	
GSTD	GSTD4012PJ	4.50 x 4.00 x 1.10	0.22			1.5				5.5 ~ 10.0	3.0 ~ 9.0	249
	GSTD4012PM	4.45 x 4.06 x 1.10	0.33			2.2				3.5 ~ 8.4	2.75 ~ 6.5	
	GSTD4015PJ	4.50 x 4.00 x 1.40	0.22			2.2				4.5 ~ 11.0	3.0 ~ 9.5	
	GSTD4020PE	4.50 x 4.00 x 1.80	0.1					10		2.2 ~ 22.0	1.2 ~ 12.0	
	GSTD4020PJ	4.50 x 4.00 x 1.80	0.22				5.6			3.5 ~ 11.5	2.4 ~ 11.5	
	GSTD5030PE	5.70 x 5.20 x 2.80	0.2					10		3.5 ~ 14.5	2.5 ~ 18.0	
	GSTD6018PW	7.10 x 6.60 x 1.60	0.47				4.7			5.0 ~ 18.0	3.0 ~ 11.0	
	GSTD6018PE	7.10 x 6.60 x 1.60	0.22				4.7			8.0 ~ 26.0	3.0 ~ 14.0	
	GSTD6024PE	7.10 x 6.60 x 2.20	0.1					10		6.0 ~ 50.0	2.5 ~ 30.0	
	GSTD6030PE	7.10 x 6.60 x 2.80	0.1					10		7.0 ~ 60.0	3.0 ~ 32.5	
	GSTD6030PL	7.10 x 6.60 x 2.80			1.0				22	2.5 ~ 9.5	2.9 ~ 12.5	
	GSTD6040PJ	7.60 x 6.60 x 4.00	0.22					12		5.0 ~ 34.0	4.0 ~ 23.0	
	GSTD1040PE	11.50 x 10.50 x 3.80	0.19					10		12.0 ~ 90.0	6.8 ~ 40.0	
	GSTD1040PL	11.50 x 10.50 x 3.80	0.19						100	2.25 ~ 46.0	3.0 ~ 40.0	
	GSTD1050PJ	10.50 x 10.00 x 4.80		0.45					22	7.0 ~ 29.0	4.0 ~ 36.0	
	GSTD1250PE	13.50 x 12.80 x 4.80	0.1					10		16.0 ~ 118.0	9.0 ~ 55.0	
GSTD1265PE	13.50 x 12.80 x 6.20	0.1						47	5.0 ~ 120.0	3.0 ~ 60.0		
GSTH	GSTH3020P	3.5 x 3.2 x 1.8	0.1					10		1.3 ~ 11.5	1.3 ~ 10.0	270
	GSTH4020P	4.45 x 4.1 x 1.8	0.1				6.8			3.3 ~ 30.0	2.9 ~ 16.0	
	GSTH5020P	5.7 x 5.2 x 1.8	0.1					10		3.6 ~ 36.0	2.5 ~ 20.0	
	GSTH5030P	5.7 x 5.2 x 2.8	0.1					10		2.8 ~ 33.0	2.8 ~ 25.0	
	GSTH6024P	7.1 x 6.6 x 2.2	0.1					10		5.3 ~ 70.0	3.8 ~ 30.0	
	GSTH6030P	7.1 x 6.6 x 2.8	0.1					22		3.6 ~ 60.0	2.2 ~ 37.5	
	GSTH6050P	7.3 x 6.6 x 4.8	0.1					10		7.0 ~ 65.0	5.5 ~ 32.0	
	GSTH8030P	8.8 x 8.2 x 2.8	0.22					15		5.5 ~ 40.0	4.7 ~ 30.0	
	GSTH8040P	8.8 x 8.2 x 3.8	0.22						47	3.1 ~ 60.0	2.9 ~ 36.0	
	GSTH1040P	11.0 x 10.0 x 3.8	0.15						47	5.0 ~ 80.0	3.2 ~ 45.0	
	GSTH1250P	13.5 x 12.6 x 4.7	0.15						22	11.0 ~ 100	7.5 ~ 55.0	
	GSTH1265P	13.5 x 12.6 x 6.2	0.22						22	12.0 ~ 105	10.0 ~ 55.0	
	GSTH1585P	16.0 x 15.0 x 8.2				4.7			22	16.0 ~ 30.0	12.5 ~ 21.0	
GSTH1770P	17.8 x 16.9 x 6.7	0.47						47	13.0 ~ 115	8.7 ~ 60.0		



High Current Molding Inductor (Shielding)

Series Name	Part Name	Dimension (mm)	Inductance Range (uH)						Isat (A)	Irms (A)	Page	
			0.1	1	100	1000	10000	50000				
GSTL		GSTL4020	4.45 x 4.1 x 1.8	0.1	10					2.1 ~ 26.0	2.4 ~ 16.0	285
		GSTL5020	5.7 x 5.2 x 1.8	0.15	22					2.2 ~ 27.0	1.9 ~ 22.0	
		GSTL5030	5.7 x 5.2 x 2.8	0.1	22					2.0 ~ 33.0	2.4 ~ 26.0	
		GSTL6020	7.1 x 6.6 x 1.8	0.47	10					3.4 ~ 18.0	3.4 ~ 15.0	
		GSTL6024	7.1 x 6.7 x 2.2	0.1	10					4.6 ~ 70.0	3.7 ~ 30.0	
		GSTL6030	7.1 x 6.6 x 2.8	0.1	47					1.8 ~ 45.0	1.9 ~ 35.0	
		GSTL6040	7.1 x 6.6 x 3.8	0.33	1.0					15.0 ~ 28.0	15.0 ~ 25.0	
		GSTL6050	7.3 x 6.6 x 4.8	0.47	47					1.8 ~ 22.0	2.6 ~ 22.0	
		GSTL1040	11.0 x 10.0 x 3.8	0.15	100					2.7 ~ 82.0	2.0 ~ 44.0	
		GSTL1050	11.0 x 10.0 x 4.8	0.36	100					2.8 ~ 52.0	2.2 ~ 34.0	
		GSTL1250	13.5 x 12.6 x 4.7	0.22	68					5.0 ~ 65.0	4.3 ~ 52.0	
		GSTL1260	13.5 x 12.6 x 5.7	0.36	150					4.1 ~ 70.0	2.6 ~ 60.0	
		GSTL1265	13.5 x 12.6 x 6.2	0.1	82					5.0 ~ 120	5.0 ~ 65.0	
		GSTL1770	17.8 x 16.9 x 6.7	0.47	100					6.5 ~ 110	6.0 ~ 60.0	
GSTL2313	23.5 x 22.0 x 12.6	1.5	100					9.0 ~ 52.0	11.0 ~ 62.0			
GSTM		GSTM3012	3.50 x 3.20 x 1.00	0.47	10					1.4 ~ 7.2	1.0 ~ 5.0	301
		GSTM3020	3.50 x 3.20 x 1.80	0.47	10					1.6 ~ 9.0	1.4 ~ 7.0	
		GSTM4012	4.45 x 4.06 x 1.00	0.1	10					1.4 ~ 25.0	1.3 ~ 11.5	
		GSTM4020	4.45 x 4.06 x 1.80	0.1	22					1.4 ~ 35.0	1.2 ~ 12.0	
		GSTM5012	5.70 x 5.20 x 1.00	0.1	10					1.8 ~ 14.5	1.5 ~ 14.0	
		GSTM5015	5.70 x 5.20 x 1.30	0.33	10					2.3 ~ 16.0	2.0 ~ 9.0	
		GSTM5018	5.70 x 5.20 x 1.60	0.33	10					2.8 ~ 15.0	2.3 ~ 11.0	
		GSTM5020	5.70 x 5.20 x 1.80	0.33	10					3.4 ~ 21.3	2.3 ~ 12.0	
		GSTM5030	5.70 x 5.20 x 2.80	0.33	22					1.7 ~ 18.0	1.9 ~ 14.0	
		GSTM6012	7.00 x 6.60 x 1.00	0.22	10					2.5 ~ 19.0	1.8 ~ 11.0	
		GSTM6015	7.00 x 6.60 x 1.30	0.22	10					2.8 ~ 22.0	2.3 ~ 14.0	
		GSTM6018	7.00 x 6.60 x 1.60	0.33	10					3.5 ~ 22.0	2.3 ~ 14.0	
		GSTM6020	7.00 x 6.60 x 1.80	0.1	22					2.5 ~ 40.0	1.5 ~ 21.0	
		GSTM6024	7.00 x 6.60 x 2.20	0.1	22					3.0 ~ 70.0	1.8 ~ 30.0	
		GSTM6030	7.30 x 6.60 x 2.80	0.1	47					2.0 ~ 60.0	1.75 ~ 32.5	
		GSTM6050	7.30 x 6.60 x 4.80	0.47	68					2.0 ~ 30.0	1.2 ~ 22.0	
		GSTM1040	11.00 x 10.00 x 3.80	0.22	82					2.5 ~ 60.0	1.5 ~ 35.0	
		GSTM1050	11.00 x 10.00 x 4.80	0.36	100					2.8 ~ 52.0	2.2 ~ 34.0	
		GSTM1238	13.50 x 12.50 x 3.60	0.1	10					14.0 ~ 40.0	7.0 ~ 24.0	
		GSTM1250	13.50 x 12.50 x 4.80	0.33	10					16.0 ~ 80.0	9.0 ~ 42.0	
GSTM1260	13.50 x 12.50 x 5.70	6.8	150					6.0 ~ 25.0	3.0 ~ 15.0			
GSTM1265	13.50 x 12.50 x 6.20	0.4	100					5.5 ~ 64	4.2 ~ 44.0			
GWCM		GWCM2012	2.00 x 1.25 x 1.25	1.0	100					0.06 ~ 0.5	0.13 ~ 0.9	324
		GWCM2016	2.00 x 1.60 x 1.60	1.0	100					0.07 ~ 0.6	0.17 ~ 1.1	
		GWCM2518	2.50 x 1.80 x 1.80	1.0	1000					0.025 ~ 1.2	0.075 ~ 1.5	
		GWCM3225	3.20 x 2.50 x 2.50	1.0	1000					0.1 ~ 2.0	0.1 ~ 1.44	

Dip Inductor

Series Name	Part Name	Dimension (mm)	Inductance Range (uH)						Isat (A)	Irms (A)	Page	
			0.1	1	100	1000	10000	50000				
GAC*		Custom Design	-				Customize Design			-	329	
GAL		GAL0204	2.8 x 4.4 x 29.5	0.1			1000			N.A.	0.02 ~ 0.7	330
		GAL0307	3.0 x 7.0 x 28.0	0.1			1000			N.A.	0.06 ~ 1.4	
		GAL0410	4.0 x 10.0 x 26.0	0.1			1000			N.A.	0.085 ~ 1.7	
		GAL0512	5.0 x 12.0 x 24.5			1000		33000		N.A.	0.02 ~ 0.18	
GASC*		Custom Design	-				Customize Design			-	338	
GCL*		Custom Design	-				Customize Design			-	340	





Dip Inductor

Series Name	Part Name	Dimension (mm)	Inductance Range (uH)						Isat (A)	Irms (A)	Page
			0.1	1	100	1000	10000	20000			
GDR	GDR0406	6.0 x 7.5 x 15.0	1.0			10			0.12 ~ 3.0	N.A.	341
	GDR0608	8.0 x 10.0 x 15.0	1.0			4700		0.05 ~ 3.0	N.A.		
	GDR0810	10.0 x 11.5 x 15.0	1.0			6000		0.1 ~ 4.5	N.A.		
	GDR0912	11.0 x 13.5 x 15.0	1.0			6000		0.1 ~ 5.0	N.A.		
	GDR1012	12.0 x 13.5 x 15.0	1.0			4000		0.25 ~ 6.0	N.A.		
	GDR1016	12.5 x 18.0 x 15.0	1.0			4700		0.35 ~ 9.0	N.A.		
GHDR	GHDR0810	10.0 x 11.5 x 15.0	1.0			1000		0.51 ~ 10	N.A.	354	
	GHDR0912	11.0 x 13.5 x 15.0	1.0			1000		0.8 ~ 17	N.A.		

Wire Wound Chip Inductor

Series Name	Part Name	Dimension (mm)	Inductance Range (uH)						Isat (A)	Irms (A)	Page
			0.1	1	100	1000	10000	20000			
GNLC	GNLC1610	1.80 x 1.20 x 1.00	1.0			33			0.12 ~ 0.86	0.12 ~ 0.70	369
	GNLC2012	2.40 x 1.65 x 1.25	0.47			100		0.1 ~ 1.4	0.18 ~ 1.5		
	GNLC2520	2.90 x 2.54 x 2.00	0.22			330		0.11 ~ 2.6	0.05 ~ 2.4		
	GNLC3225	3.60 x 2.90 x 2.50	0.39			1000		0.05 ~ 3.0	N.A.		
GNLE	GNLE1610P	1.80 x 1.20 x 1.10				0.047 ~ 33		N.A.	0.12 ~ 2.2	376	
	GNLE2012P	2.40 x 1.60 x 1.25				0.47 ~ 100		N.A.	0.08 ~ 0.75		
	GNLE2012PS	2.40 x 1.60 x 1.25	0.12			33		N.A.	0.12 ~ 1.5		
	GNLE2520P	2.90 x 2.50 x 2.10	1.0			33		N.A.	0.236 ~ 1.0		
	GNLE2520PS	2.90 x 2.50 x 2.10	0.18			100		N.A.	0.2 ~ 0.96		
	GNLE3225P	3.60 x 2.90 x 2.60	1.0			680		N.A.	0.076 ~ 1.2		

High Frequency Chip Inductor

Series Name	Part Name	Dimension (mm)	Inductance Range (nH)						Isat (A)	Irms (A)	Page
			0.1	1	100	1000	10000	20000			
GTH	GTH1005P	1.27 x 0.76 x 0.61	1.0			120			N.A.	0.05 ~ 1.36	385
	GTH1005PA	1.27 x 0.76 x 0.61	20			560		N.A.	0.2 ~ 1.6		
	GTH1608P	1.80 x 1.12 x 1.02	1.6			1000		N.A.	0.08 ~ 0.7		
	GTH1608PS	1.80 x 1.12 x 1.02	1.6			470		N.A.	0.1 ~ 0.7		
	GTH2012P	2.29 x 1.73 x 1.52	2.8			2700		N.A.	0.15 ~ 0.8		
	GTH2520P	2.92 x 2.80 x 2.23	10			10000		N.A.	0.15 ~ 1.0		
GTLQH	GTLQH20P	2.10 x 1.50 x 1.40	0.1			120			0.02 ~ 4.24	398	
	GTLQH20PL	2.00 x 1.60 x 1.05	1.0			22		0.38 ~ 1.7	0.40 ~ 1.42		
	GTLQH25P	2.50 x 2.00 x 1.80	0.22			220		0.09 ~ 0.35			
	GTLQH25PL	2.50 x 2.10 x 1.05	1.0			22		0.49 ~ 2.0	0.46 ~ 1.9		
	GTLQH31P	3.20 x 1.60 x 1.80	0.1			820		0.005 ~ 0.185			
	GTLQH32P	3.20 x 2.50 x 2.00	0.1			1000		0.03 ~ 0.70			
	GTLQH32PC	3.20 x 2.50 x 2.00	0.47			560		0.06 ~ 2.29			
	GTLQH32PL	3.20 x 2.50 x 1.55	1.0			680		0.07 ~ 1.48			
	GTLQH43PC	4.50 x 3.20 x 2.60	1.0			470		0.09 ~ 1.08			
GTLQH56P	5.70 x 5.00 x 4.70				0.12 ~ 330		0.27 ~ 6.0				



Multilayer Chip Bead (Power & EMI)

Series Name	Part Name	Dimension (mm)	Impedance Range (ohm)					Isat (A)	Irms (A)	Page		
			1	10	100	1000	2000				3000	
GBD	GBD060303PGA	0.60 x 0.30 x 0.30			120	150			N.A.	0.2	413	
	GBD100505PGA	1.00 x 0.50 x 0.50	6				1500		N.A.	0.06 ~ 0.5		
	GBD160808PGA	1.60 x 0.80 x 0.80	6					2500		N.A.		0.05 ~ 0.5
	GBD201209PGA	2.00 x 1.25 x 0.90	7					2700		N.A.		0.2 ~ 0.6
	GBD321611PGA	3.20 x 1.60 x 1.10	11					2700		N.A.		0.2 ~ 0.6
	GBD321616PGA	3.20 x 1.60 x 1.60	25					70		N.A.		0.5
	GBD322513PGA	3.20 x 2.50 x 1.30	32					90		N.A.		0.5
	GBD451616PGA	4.50 x 1.60 x 1.60	50					170		N.A.		0.5 ~ 0.6
	GBD453215PGA	4.50 x 3.20 x 1.50	70					120		N.A.		0.5
	GBD100505PGB	1.00 x 0.50 x 0.50	6					120		N.A.		0.05 ~ 0.3
	GBD160808PGB	1.60 x 0.80 x 0.80	6					2200		N.A.		0.05 ~ 0.5
	GBD201209PGB	2.00 x 1.25 x 0.90	6					2700		N.A.		0.1 ~ 0.8
	GBD321611PGB	3.20 x 1.60 x 1.10	19					1500		N.A.		0.15 ~ 0.6
	GBD100505PGH	1.00 x 0.50 x 0.50	10					600		N.A.		0.42 ~ 2.0
	GBD160808PGH	1.60 x 0.80 x 0.80	10					2500		N.A.		0.2 ~ 4.0
	GBD201209PGH	2.00 x 1.25 x 0.90	7					1500		N.A.		1.0 ~ 6.0
	GBD321611PGH	3.20 x 1.60 x 1.10	11					1500		N.A.		0.8 ~ 6.0
	GBD322513PGH	3.20 x 2.50 x 1.30	60					90		N.A.		3.0 ~ 4.0
	GBD451616PGH	4.50 x 1.60 x 1.60	50					150		N.A.		2.0 ~ 6.0
	GBD453215PGH	4.50 x 3.20 x 1.50	70					120		N.A.		4.0 ~ 6.0
GBD565015PGH	5.59 x 5.08 x 1.50						170		N.A.	4		
GBD565018PGH	5.59 x 5.08 x 1.80	100					250		N.A.	4.0 ~ 6.0		
GBD565032PGH	5.59 x 5.08 x 3.20	270					400		N.A.	4.0 ~ 4.5		
GBD100505PGF	1.00 x 0.50 x 0.50	200					1000		N.A.	0.1 ~ 0.2		
GBD160808PGF	1.60 x 0.80 x 0.80	120					1200		N.A.	0.05 ~ 0.3		
Series Name	Part Name	Dimension (mm)	Inductance Range (nH)					Isat (A)	Irms (A)	Page		
			0.1	1	100	1000	10000				50000	
GBL	GBL100505P	1.00 x 0.50 x 0.50			220			2200		N.A.	0.01 ~ 0.025	441
	GBL160808P	1.60 x 0.80 x 0.80	47					18000		N.A.	0.001 ~ 0.05	
	GBL201209P	2.00 x 1.25 x 0.90	47					10000		N.A.	0.025 ~ 0.3	
	GBL201212P	2.00 x 1.25 x 1.25				2700		33000		N.A.	0.005 ~ 0.03	
	GBL321611P	3.20 x 1.60 x 1.10	47					47000		N.A.	0.005 ~ 0.3	
GBLH	GBLH160808P	1.60 x 0.80 x 0.80			220			10000		N.A.	0.05 ~ 0.11	449
	GBLH160808PA	1.60 x 0.80 x 0.80			1000			4700		N.A.	0.8 ~ 1.5	
	GBLH160808PY	1.60 x 0.80 x 0.80						2200		N.A.	0.65	
	GBLH201206P	2.00 x 1.25 x 0.60						4700		N.A.	0.3	
	GBLH201209P	2.00 x 1.25 x 0.90	470					4700		N.A.	0.4 ~ 1.1	
	GBLH201209PA	2.00 x 1.25 x 0.90			1000			4700		N.A.	0.9 ~ 2.2	
	GBLH201209PL	2.00 x 1.60 x 0.90			1000			4700		N.A.	0.8 ~ 1.2	
	GBLH201609P	2.00 x 1.60 x 0.90	680					4700		N.A.	0.9 ~ 1.7	
	GBLH252010P	2.50 x 2.00 x 0.90	470					4700		N.A.	1.1 ~ 1.8	
GBLM	GBLM160808P	1.60 x 0.80 x 0.80			1000			22000		N.A.	0.2 ~ 1.0	455
	GBLM201208P	2.00 x 1.25 x 0.85			1000			4700		N.A.	1.0 ~ 1.4	
	GBLM201211P	2.00 x 1.25 x 1.15					10000	22000		N.A.	0.3 ~ 0.5	
	GBLM201608P	2.00 x 1.60 x 0.80			1000			4700		N.A.	1.1 ~ 1.4	
	GBLM252008P	2.50 x 2.00 x 0.85			1000			4700		N.A.	1.3 ~ 1.6	
GBLS	GBLS160805P	1.60 x 0.80 x 0.50						470		0.5	0.9	461
	GBLS160808P	1.60 x 0.80 x 0.80	470					2200		0.12 ~ 0.8	0.75 ~ 0.95	
	GBLS160808PH	1.60 x 0.80 x 0.80						4700		0.08	0.7	
	GBLS201205P	2.00 x 1.25 x 0.50	470					2200		0.28 ~ 0.7	0.6 ~ 1.1	
	GBLS201209P	2.00 x 1.25 x 0.90	470					4700		0.23 ~ 1.2	0.8 ~ 1.2	
	GBLS201209PH	2.00 x 1.25 x 0.90	470					4700		0.285 ~ 1.2	0.85 ~ 1.5	
	GBLS201212P	2.00 x 1.25 x 1.25						4700		0.36	0.6	
	GBLS201609P	2.00 x 1.60 x 0.90	470					4700		0.18 ~ 1.3	1.1 ~ 1.6	
	GBLS252009P	2.50 x 2.00 x 0.90	470					4700		0.2 ~ 1.35	1.1 ~ 1.8	
	GBLS252011P	2.50 x 2.00 x 1.10			1000			10000		0.2 ~ 1.8	0.8 ~ 1.5	





Multilayer Chip Bead (EMI & Signal)




Series Name	Part Name	Dimension (mm)	Impedance Range (Ohm)						Isat (A)	Irms (A)	Page
			0.1	10	100	1000	2000	3000			
GBD	GBD060303PGA	0.60 x 0.30 x 0.30			120	150			N.A.	0.2	413
	GBD100505PGA	1.00 x 0.50 x 0.50	6				1500		N.A.	0.06 ~ 0.5	
	GBD160808PGA	1.60 x 0.80 x 0.80	6					2500	N.A.	0.05 ~ 0.5	
	GBD201209PGA	2.00 x 1.25 x 0.90	7					2700	N.A.	0.2 ~ 0.6	
	GBD321611PGA	3.20 x 1.60 x 1.10	11					2700	N.A.	0.2 ~ 0.6	
	GBD321616PGA	3.20 x 1.60 x 1.60	25			70			N.A.	0.5	
	GBD322513PGA	3.20 x 2.50 x 1.30	32			90			N.A.	0.5	
	GBD451616PGA	4.50 x 1.60 x 1.60	50			170			N.A.	0.5 ~ 0.6	
	GBD453215PGA	4.50 x 3.20 x 1.50	70			120			N.A.	0.5	
	GBD100505PGB	1.00 x 0.50 x 0.50	6					120	N.A.	0.05 ~ 0.3	
	GBD160808PGB	1.60 x 0.80 x 0.80	6					2200	N.A.	0.05 ~ 0.5	
	GBD201209PGB	2.00 x 1.25 x 0.90	6					2700	N.A.	0.1 ~ 0.8	
	GBD321611PGB	3.20 x 1.60 x 1.10	19					1500	N.A.	0.15 ~ 0.6	
	GBD100505PGH	1.00 x 0.50 x 0.50	10					600	N.A.	0.42 ~ 2.0	
	GBD160808PGH	1.60 x 0.80 x 0.80	10					2500	N.A.	0.2 ~ 4.0	
	GBD201209PGH	2.00 x 1.25 x 0.90	7					1500	N.A.	1.0 ~ 6.0	
	GBD321611PGH	3.20 x 1.60 x 1.10	11					1500	N.A.	0.8 ~ 6.0	
	GBD322513PGH	3.20 x 2.50 x 1.30	60			90			N.A.	3.0 ~ 4.0	
	GBD451616PGH	4.50 x 1.60 x 1.60	50			150			N.A.	2.0 ~ 6.0	
	GBD453215PGH	4.50 x 3.20 x 1.50	70			120			N.A.	4.0 ~ 6.0	
	GBD565015PGH	5.59 x 5.08 x 1.50				170			N.A.	4	
	GBD565018PGH	5.59 x 5.08 x 1.80	100			250			N.A.	4.0 ~ 6.0	
	GBD565032PGH	5.59 x 5.08 x 3.20	270			400			N.A.	4.0 ~ 4.5	
	GBD100505PGF	1.00 x 0.50 x 0.50	200					1000	N.A.	0.1 ~ 0.2	
GBD160808PGF	1.60 x 0.80 x 0.80	120					1200	N.A.	0.05 ~ 0.3		
Series Name	Part Name	Dimension (mm)	Inductance Range (nH)						Isat (A)	Irms (A)	Page
			0.1	1	100	1000	10000	50000			
GBL	GBL100505P	1.00 x 0.50 x 0.50			220			2200	N.A.	0.01 ~ 0.025	441
	GBL160808P	1.60 x 0.80 x 0.80	47					18000	N.A.	0.001 ~ 0.05	
	GBL201209P	2.00 x 1.25 x 0.90	47					10000	N.A.	0.025 ~ 0.3	
	GBL201212P	2.00 x 1.25 x 1.25				2700		33000	N.A.	0.005 ~ 0.03	
	GBL321611P	3.20 x 1.60 x 1.10	47					47000	N.A.	0.005 ~ 0.3	
GTC	GTC1005P	1.0 x 0.5 x 0.5	1.0					270	N.A.	0.1 ~ 0.3	470
	GTC1608P	1.6 x 0.8 x 0.8	1.0					220	N.A.	0.25 ~ 0.3	
	GTC2012P	2.0 x 1.2 x 0.9	1.0					680	N.A.	0.3	
GTCH	GTCH1005PF	1.0 x 0.5 x 0.5	1.0					33	N.A.	0.2 ~ 0.3	477
	GTCH1608PF	1.6 x 0.8 x 0.8	1.0					470	N.A.	0.15 ~ 0.5	

Common Mode for Power Line & EMI



Series Name	Part Name	Dimension (mm)	Impedance Range @ 100MHz (ohm)				Isat (A)	Irms (A)	Page
			10	100	1000	10000			
GBDC	Custom Design	-	Customize Design				-	-	482
GCMD	GCMD8035P	8.0 x 5.3 x 3.5		90	200		N.A.	0.5 ~ 3.0	484
	GCMD1065P	10.0 x 8.7 x 6.5			550		N.A.	0.26 ~ 2.0	
GDLW	GDLW0502P	4.8 x 5.0 x 2.5		100		1000	N.A.	2.0 ~ 6.0	497
	GDLW0504P	4.8 x 5.0 x 4.8		250		1000	N.A.	4.5 ~ 5.0	
GSCM	GSCM706035P	7.0 x 6.0 x 3.5		140		3000	N.A.	1.0 ~ 9.0	502
	GSCM706038P	7.0 x 6.0 x 3.8		140		900	N.A.	3.0 ~ 9.0	
	GSCM907045P	9.0 x 7.0 x 4.5		300		3000	N.A.	2.0 ~ 6.0	
	GSCM907048P	9.0 x 7.0 x 4.8		500		2200	N.A.	2.0 ~ 6.0	
	GSCM121160P	12.5 x 10.5 x 6.0		140		1000	N.A.	5.0 ~ 10.0	
	GSCM121164P	12.0 x 10.8 x 6.4				700	N.A.	8	
GTHW	GTHW2012P	2.0 x 1.2 x 1.2		67		1000	N.A.	0.1 ~ 0.4	526
	GTHW3216P	3.2 x 1.6 x 2.0		90		2200	N.A.	0.2 ~ 0.37	



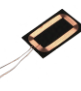

Common Mode Filter for Power Line & EMI

Series Name	Part Name	Dimension (mm)	Inductance Range (uH)						Isat (A)	Irms (A)	Page	
			0.1	1	100	1000	10000	50000				
GCMH		GCMH1515PH	21.0 x 17.0 x 14.0					15000	-	-	487	
		GCMH1515PV	21.0 x 14.5 x 22.0				15000	25000	-	-		
		GCMH1918PH	24.0 x 22.0 x 14.0					12000	-	-		
		GCMH1918PV	23.5 x 15.0 x 27.0					12000	-	-		
		GCMH2418PH	24.0 x 26.0 x 16.0					12000	-	-		
		GCMH2418PV	24.0 x 16.0 x 31.5					12000	-	-		
		GCMH2820PV	28.0 x 17.0 x 38.0					7000	-	-		
		GCMH3131PH	35.0 x 35.0 x 19.0					8000	-	-		
		GCMH3131PV	35.0 x 20.0 x 36.0					8000	-	-		
GDM		GDM100910P	10.0 x 9.0 x 10.0	10	22				3.2 ~ 5.0	2.5 ~ 3.9	500	
GTCM		GTCM090503	14.0 x 12.0		100	600			-	2.2 ~ 0.55	509	
		GTCM140905	19.0 x 8.5		400	10000			-	4.0 ~ 0.6		
		GTCM161208	22.5 x 15.0		250	2800			-	4.0 ~ 1.5		
		GTCM221408	30.0 x 16.0			1300	6000			-		6.0 ~ 2.2
		GTCM251513	31.0 x 20.0			2450	11000			-		7.0 ~ 3.0
		GTCM311913	39.0 x 21.0			2350	16000			-		12.0 ~ 4.0
		GTCM362315	45.0 x 24.0			3600	14500			-		15.5 ~ 6.0

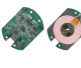
Common Mode Filter for Signal Line

Series Name	Part Name	Dimension (mm)	Impedance Range @ 100MHz (ohm)				Rated Current (Amp)		Page	
			10	100	1000	10000				
GTHW		GTHW2012P	2.0 x 1.2 x 1.2		67	1000		N.A.	0.1 ~ 0.4	526
		GTHW3216P	3.2 x 1.6 x 2.0		90	2200		N.A.	0.2 ~ 0.37	
GCMF		GCMF1210PN	1.2 x 1.0 x 0.9	25	90			N.A.	0.25 ~ 0.3	529
		GCMF2012PU	2.0 x 1.2 x 1.2		90			N.A.	0.3	
		GCMF2012PH	2.0 x 1.2 x 1.2		90			N.A.	0.3	

Wireless Charging Coil

Series Name	Part Name	Dimension (mm)	Inductance Range (uH)	Usage	Page	
GW Rx Type		GW02801411PR-A018A30YTS	28.0 x 14.0 x 1.1	30.0 +/- 10%	Wearable	532
		GW05005003PR-L01A12YS	50.0 x 50.0 x 0.3	10.0 +/- 10%	UltraSlim	
		GW02701706PR-A018A23YS	27.0 x 17.0 x 0.6	18.0 +/- 10%	TWS	
		GW037111PR-B025A11YS	37.0 (diameter) x 1.1	10.0 +/- 10%	TWS	
		GW05205206PT-A18A16YN	53.0 x 53.0 x 6.0	15.0 +/- 10%	FDT-B3	
		GW04803209PR-B032A15YS	48.0 x 32.0 x 0.94	11.8 +/- 8%	General	
		GW04803209PR-B032A12YS	48.0 x 32.0 x 0.94	8.2 +/- 10%	General	
GW Tx Type		GW02601425PT-A05A20YN	26.0 x 14.0 x 2.5	6.0 +/- 10%	Wearable	534
		GW04738PT-A11A10RN3	47.0 x 3.8	6.3 +/- 10%	A11	
		GW05030PT-A10A10RN7	50.0 x 3.0	6.3 +/- 10%	A11	
		GW05804532PT-A11A09RN	58.0 x 45.0 x 3.2	6.8 +5% /- 10%	A28	
		GW09805640PT-A12C12RN7-AE	98.0 x 56.5 x 4.0	12.5 +/- 10%, 11.5 +/- 10%	Automotive	

Wireless Charging Module

Series Name	Part Name	Input Voltage	Output Wattage (max)	Page	
GW Tx Module		GMO-WCT1212I-A	12V	15W	536
		GMO-WCR2465F-A	12V ~ 24V	150W	
		GMO-WCR2413F-A	24VDC	300W	







Transformer & Ferrite

Series Name	Part Name	Dimension (mm)	Inductance Range (uH)	Rated Current (Amp)	Page
Power * Transformer 	Customize Design	-	-	-	538
Ethernet * Transformer 	GLT Series - Customize Design	-	-	-	538
Ferrite Core * 	GFC Series - Customize Design	-	-	-	538

PKE & TPMS

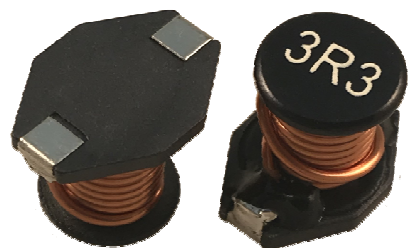
Series Name	Part Name	Dimension (mm)	Inductance Range (mH)	Q @ 125kHz (Typical)	SRF (KHz)	DCR (Ohm)	Page
PKE 	GTX-SA311-472J	13.0 x 11.6 x 3.0	4.77+/-5%	20+/-10%	>300	90.0+/-10%	539
	GTX-SA311-602J		4.77+/-5%	20+/-10%	>300	100.0+/-10%	
	GTX-SA311-722J		4.77+/-5%	20+/-10%	>600	135.0+/-10%	
	GTX-SA314N	14.0 x 13.0 x 3.8	2.47 ~ 7.20	23 ~ 35	330 ~ 500	78 ~ 133	543
	GTX-SA314C	15.0 x 14.0 x 3.8	2.47 ~ 7.20	23 ~ 36	330 ~ 500	78 ~ 133	
TPMS 	GRFT3225P-102	3.6 x 2.8 x 2.6	1.08	15	1500	35	546
	GRFT3225P-132	3.6 x 2.8 x 2.6	1.34	15	1500	42	
	GRFT4220P-252M	4.75 x 2.25 x 1.8	2.5	-	1000	82	
	GRFT4220P-352K	4.75 x 2.25 x 1.8	3.5	-	1000	85	
	GRFT6420P-522J	6.4 x 2.3 x 1.8	5.2	-	520	113	
	GRFT6420P-622J	6.4 x 2.3 x 1.8	6.2	-	488	123	
	GRFT6420P-702J	6.4 x 2.3 x 1.8	7	-	420	125	
	GRFT6420P-722K	6.4 x 2.3 x 1.8	7.2	-	450	130	
	GRFT8027P-452H	7.85 x 2.7 x 2.7	4.5	30	-	80	
	GRFT8027P-492H	7.85 x 2.7 x 2.7	4.9	30	-	85	
	GRFT8027P-722H	7.85 x 2.7 x 2.7	7.2	35	-	105	
	GRFT8027P-193H	7.85 x 2.7 x 2.7	18.52	35	-	240	
	GRFT1225P-101H	11.6 x 3.8 x 2.5	0.1	20	20000	3	
	GRFT1225P-201H	11.6 x 3.8 x 2.5	0.2	20	2000	6	
	GRFT1225P-492H	11.6 x 3.8 x 2.5	4.9	20	340	50	
GRFT1225P-722H	11.6 x 3.8 x 2.5	7.2	40	300	40		



Product Series : GDO	Brand : GOTREND
File Version : GDO-SERIES-V3R3	Editor : Teddy Sun
Established Date : 2009.08.04	Description : Ferrite Core With Plastic Base Inductor
Latest Edit Date : 2020.10.30	Product Type : <input checked="" type="checkbox"/> Standard <input type="checkbox"/> Customize

Features & Application :

- * High-Current SMT Drum Choke for PWM circuit
- * Fit for power line & signal line circuit
- * To help you go pass the CE/FCC standard.
- * Mobile Device / Handheld Device / LowProfile Device / Panel...



(Picture for reference only)

Part No. Example :

PN	:	GDO	0802	P	-	680	M
-----		-----	-----	---		-----	----
ID	:	1	2	3		4	5
1	:	GOTREND Series: GDO					
2	:	Size Code : 0802					
3	:	P=Pb free < 1000ppm					
4	:	[L] Value : Inductance 680=68uH					
5	:	Tolerance : M=+/-20%					

Basic Information :

Made in	China
Pin Foot	SMD
Shielding	Yes
J-STD-020	MSL Level 1
RoHS	Compliant
REACH	Compliant
Halogen	Free

Operating & Storage Condition :

- * Operating Temp -40 ~ +125 deg.C (Including self - temperature rise)
- * Storage Temp 1. -10 ~ +45 deg.C , 50 ~ 60% RH (Product with taping)
2. -40 ~ +125 deg.C (On board)
- * Storage Life Time 12 MONTH (Less than 40 deg.C and 60% RH)

Attention & Caution :

- * Keep out of Splashing water or salt water
- * Avoid Toxic Gas (Hydrogen sulfide, Sulfurous acid, Chlorine, Ammonia)
- * Avoid Vibrations or shocks which exceed the specified condition
- * Avoid Dew condense
- * Avoid Layout near the edge of PCB
- * Avoid Over flexure after SMT mounting & PCBA
- * Pin foot or SMD pad solderability: Pb free type is best within 6 months after delivery
- * Humidity sensitive , IPC/JEDEC J-STD-020 MSL if over Level 1, recommend bake 30mins@150 degree before PCBA
- * Caution for human life relative applications : PLS contact & consult with GOTREND team in design stage.

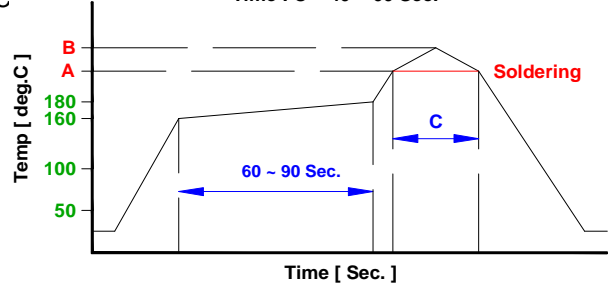


Test Condition :

- * Equipment HP4284A , HP42841A - L , Q , DCR , IDC
HP8753D Network analyzer - SRF
- * Standard Atmosphere Conditions:
Ambient Temperature 20 ± 15 deg.C
Humidity RH 65 ± 20%
- * If there may be any doubt on the test result ,
Measurement shall be made within the following limits:
Ambient Temperature 25 ± 5 deg.C
Humidity RH 75 ± 10%

Recommend IR Reflow Curve : GTX-IR-FILE001

Lead Free Solder : A = 217 deg.C , B = 245+/-5 deg.C
Time : C = 40 ~ 60 Sec.

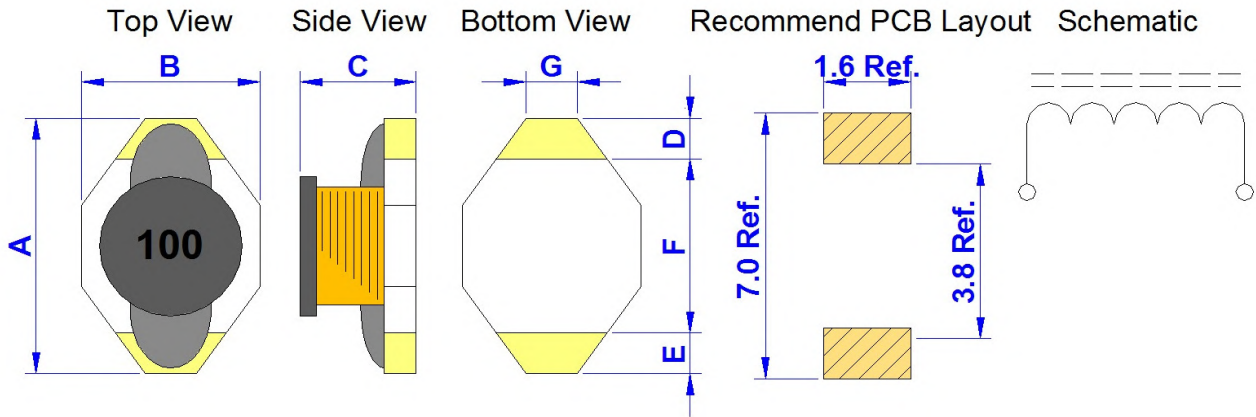


**Notice : Iron Soldering , Solder < 30 Watt ,
Direct touch the terminal x 3 Sec. Max. @ 350 deg.C**

Product Series : GDO	Brand : GOTREND
File Version : GDO-SERIES-V3R3	Editor : Teddy Sun
Established Date : 2009.08.04	Description : Ferrite Core With Plastic Base Inductor
Latest Edit Date : 2020.10.30	Product Type : <input checked="" type="checkbox"/> Standard <input type="checkbox"/> Customize

GDO0402P-SERIES

Dimension [mm] :



Size	A [Max.]	B [Max.]	C [Max.]	D [+/-0.3]	E [+/-0.3]	F [+/-0.5]	G [+/-0.3]
0402	6.60	4.45	2.92	1.00	1.00	4.40	1.02

Electrical Characteristics :

Part No.	L (uH) +/-20%	DCR (Ohm) Max.	SRF (MHz) Typ.	Isat (A) Typ.	Irms (A) Typ.
GDO0402P-1R0M	1.00	0.05	130.0	2.90	2.90
GDO0402P-1R5M	1.50	0.05	115.0	2.60	2.80
GDO0402P-2R2M	2.20	0.07	90.0	2.30	2.40
GDO0402P-2R7M	2.70	0.07	80.0	2.20	2.20
GDO0402P-3R3M	3.30	0.08	70.0	2.00	2.00
GDO0402P-4R7M	4.70	0.09	50.0	1.50	1.50
GDO0402P-6R8M	6.80	0.13	45.0	1.20	1.40
GDO0402P-100M	10.00	0.16	35.0	1.10	1.30
GDO0402P-150M	15.00	0.23	30.0	0.90	1.20
GDO0402P-220M	22.00	0.37	20.0	0.70	0.80
GDO0402P-330M	33.00	0.51	15.0	0.58	0.60
GDO0402P-470M	47.00	0.64	14.0	0.50	0.50
GDO0402P-680M	68.00	0.86	11.0	0.40	0.40
GDO0402P-101M	100.00	1.27	9.0	0.31	0.30
GDO0402P-151M	150.00	2.00	6.0	0.27	0.25
GDO0402P-221M	220.00	3.11	5.5	0.22	0.20
GDO0402P-331M	330.00	3.80	5.0	0.18	0.16
GDO0402P-471M	470.00	5.06	4.0	0.16	0.15
GDO0402P-681M	680.00	9.20	3.0	0.14	0.12
GDO0402P-102M	1000.00	13.80	2.0	0.10	0.07

* Test @100KHz, 1Vrms

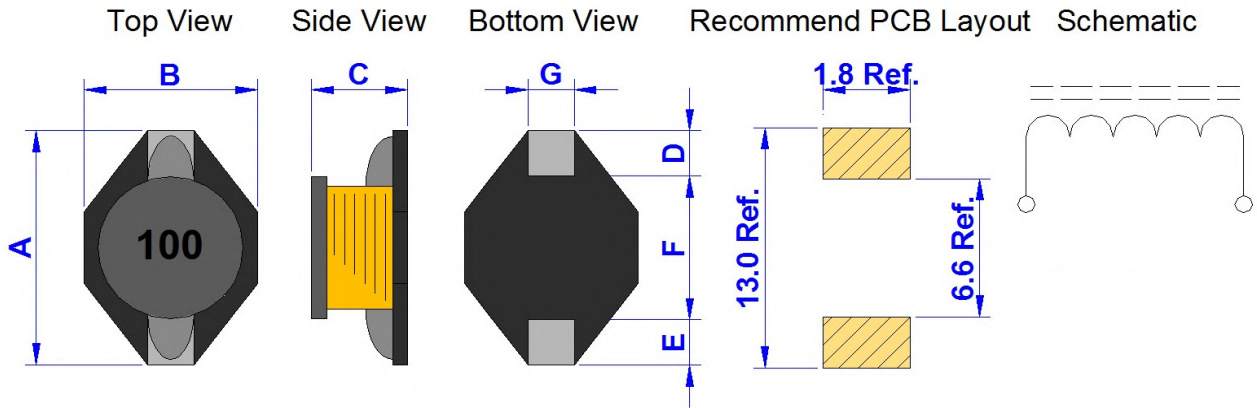
* Isat = L value 10% drop

* Irms = Temperature 40 deg.C Rise

Product Series : GDO	Brand : GOTREND
File Version : GDO-SERIES-V3R3	Editor : Teddy Sun
Established Date : 2009.08.04	Description : Ferrite Core With Plastic Base Inductor
Latest Edit Date : 2020.10.30	Product Type : <input checked="" type="checkbox"/> Standard <input type="checkbox"/> Customize

GDO0802P-SERIES

Dimension [mm] :



Size	A [Max.]	B [Max.]	C [Max.]	D [Typ.]	E [Typ.]	F [±1.0]	G [±0.3]
0802	12.33	9.3	3.00	2.60	2.60	7.20	1.20

Electrical Characteristics :

Part No.	L (uH) ±20%	DCR (Ohm) Max.	SRF (MHz) Typ.	Isat (A) Typ.	Irms (A) Typ.
GDO0802P-100M	10.00	0.11	35.00	2.40	2.00
GDO0802P-150M	15.00	0.15	33.00	2.00	1.50
GDO0802P-220M	22.00	0.23	25.00	1.60	1.30
GDO0802P-330M	33.00	0.30	19.00	1.40	1.10
GDO0802P-470M	47.00	0.39	14.00	1.00	0.80
GDO0802P-680M	68.00	0.66	12.00	0.90	0.70
GDO0802P-101M	100.00	0.84	10.00	0.70	0.60
GDO0802P-151M	150.00	1.20	8.00	0.60	0.50
GDO0802P-221M	220.00	1.90	6.00	0.50	0.40
GDO0802P-331M	330.00	2.70	5.00	0.40	0.30
GDO0802P-471M	470.00	4.00	4.00	0.30	0.20
GDO0802P-681M	680.00	5.30	3.00	0.20	0.10
GDO0802P-102M	1000.00	8.40	2.50	0.10	0.05

* Test @100KHz, 1Vrms

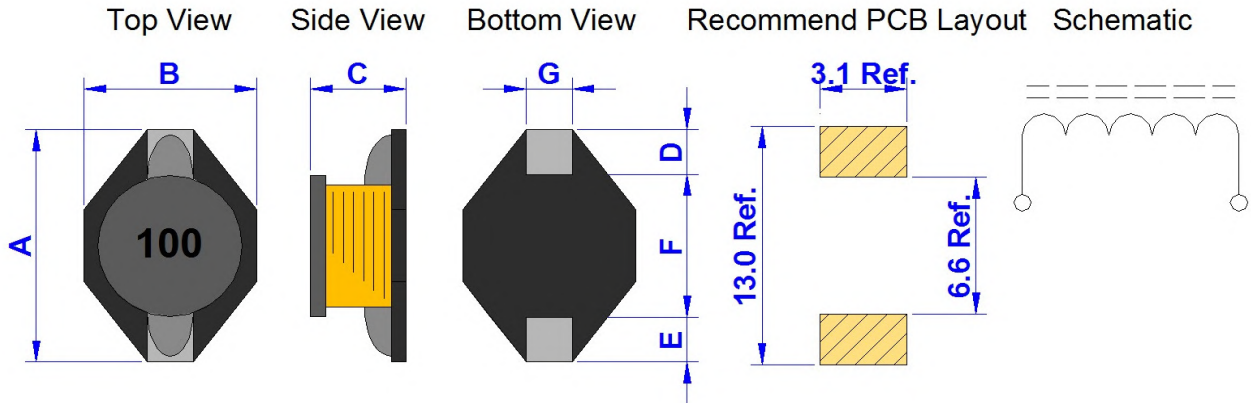
* Isat = L value 10% drop

* I rms = Temperature 40 deg.C Rise

Product Series : GDO	Brand : GOTREND
File Version : GDO-SERIES-V3R3	Editor : Teddy Sun
Established Date : 2009.08.04	Description : Ferrite Core With Plastic Base Inductor
Latest Edit Date : 2020.10.30	Product Type : <input checked="" type="checkbox"/> Standard <input type="checkbox"/> Customize

GDO0804P-SERIES

Dimension [mm] :



Size	A [Max.]	B [Max.]	C [Max.]	D [+/-0.3]	E [+/-0.3]	F [+/-1.0]	G [+/-0.3]
0804	12.95	9.4	5.21	2.50	2.50	7.20	2.50

Electrical Characteristics :

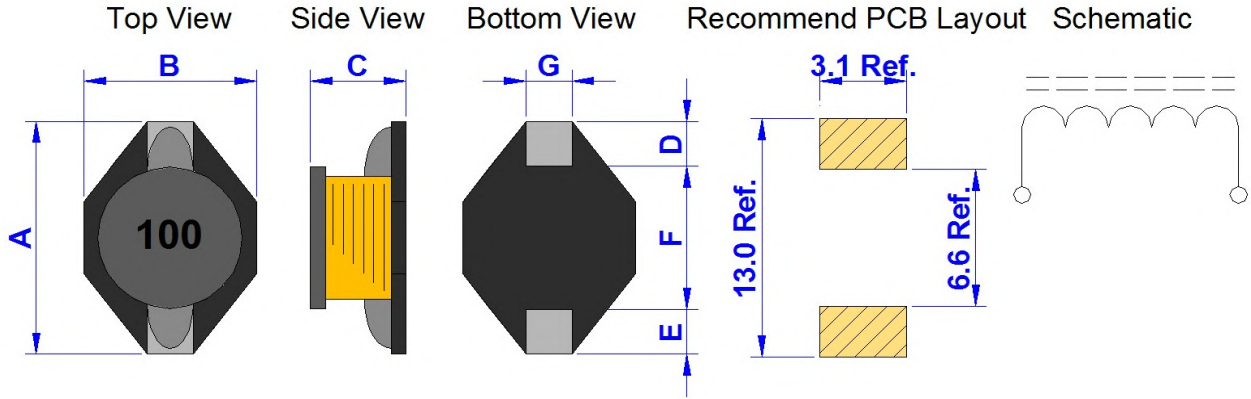
Part No.	L (uH) +/-20%	DCR (Ohm) Max.	SRF (MHz) Typ.	Isat (A) Typ.	Irms (A) Typ.
GDO0804P-1R0M	1.00	0.009	100.0	9.00	6.80
GDO0804P-1R5M	1.50	0.010	90.0	8.00	6.40
GDO0804P-2R2M	2.20	0.012	80.0	7.00	6.10
GDO0804P-3R3M	3.30	0.015	65.0	6.40	5.40
GDO0804P-4R7M	4.70	0.018	45.0	5.40	4.80
GDO0804P-6R8M	6.80	0.027	38.0	4.60	4.40
GDO0804P-100M	10.00	0.038	30.0	3.80	3.90
GDO0804P-150M	15.00	0.046	27.0	3.00	3.10
GDO0804P-220M	22.00	0.085	19.0	2.60	2.70
GDO0804P-330M	33.00	0.100	15.0	2.00	2.10
GDO0804P-470M	47.00	0.140	12.0	1.60	1.80
GDO0804P-680M	68.00	0.200	10.0	1.40	1.50
GDO0804P-101M	100.00	0.280	9.0	1.20	1.30
GDO0804P-151M	150.00	0.400	6.0	1.00	1.00
GDO0804P-221M	220.00	0.610	5.0	0.80	0.80
GDO0804P-331M	330.00	1.020	4.5	0.60	0.60
GDO0804P-471M	470.00	1.270	3.5	0.50	0.50
GDO0804P-681M	680.00	2.020	2.5	0.40	0.40
GDO0804P-102M	1000.00	3.000	2.0	0.30	0.30

- * Test @100KHz, 1Vrms
- * Isat = L value 10% drop
- * Irms = Temperature 40 deg.C Rise

Product Series : GDO	Brand : GOTREND
File Version : GDO-SERIES-V3R3	Editor : Teddy Sun
Established Date : 2009.08.04	Description : Ferrite Core With Plastic Base Inductor
Latest Edit Date : 2020.10.30	Product Type : <input checked="" type="checkbox"/> Standard <input type="checkbox"/> Customize

GDO0810P-SERIES

Dimension [mm] :



Size	A [Max.]	B [Max.]	C [Max.]	D [+/-0.3]	E [+/-0.3]	F [+/-1.0]	G [+/-0.3]
0810	12.95	9.4	11.43	2.50	2.50	7.20	2.50

Electrical Characteristics :

Part No.	L (uH) +/-20%	DCR (Ohm) Max.	SRF (MHz) Typ.	Isat (A) Typ.	Irms (A) Typ.
GDO0810P-1R0N	1.00+/-30%	0.009	30.0	16.00	9.20
GDO0810P-1R2N	1.20+/-30%	0.009	28.0	15.00	9.00
GDO0810P-1R5M	1.50	0.010	28.0	15.00	8.00
GDO0810P-2R0M	2.00	0.012	27.0	14.00	7.00
GDO0810P-2R2M	2.20	0.012	27.0	14.00	7.00
GDO0810P-3R3M	3.30	0.013	26.0	12.00	6.00
GDO0810P-4R7M	4.70	0.018	25.0	10.00	4.00
GDO0810P-6R3M	6.30	0.038	25.0	10.00	3.80
GDO0810P-6R8M	6.80	0.039	23.0	9.00	3.60
GDO0810P-8R2M	8.20	0.040	22.5	8.00	3.60
GDO0810P-100M	10.00	0.040	22.0	8.00	3.50
GDO0810P-150M	15.00	0.050	18.0	7.00	3.00
GDO0810P-220M	22.00	0.070	11.0	5.50	2.50
GDO0810P-270M	27.00	0.075	10.0	5.00	2.30
GDO0810P-330M	33.00	0.080	9.0	4.00	2.00
GDO0810P-470M	47.00	0.110	8.0	3.80	1.60
GDO0810P-680M	68.00	0.170	7.0	3.00	1.20
GDO0810P-101M	100.00	0.220	5.0	2.50	1.20
GDO0810P-151M	150.00	0.340	4.0	2.00	0.90
GDO0810P-221M	220.00	0.440	3.5	1.60	0.70
GDO0810P-331M	330.00	0.700	2.5	1.20	0.60
GDO0810P-471M	470.00	0.950	2.0	1.00	0.30
GDO0810P-681M	680.00	1.200	2.0	1.00	0.20
GDO0810P-102M	1000.00	2.000	1.50	0.80	0.10

* Test @100KHz, 1Vrms

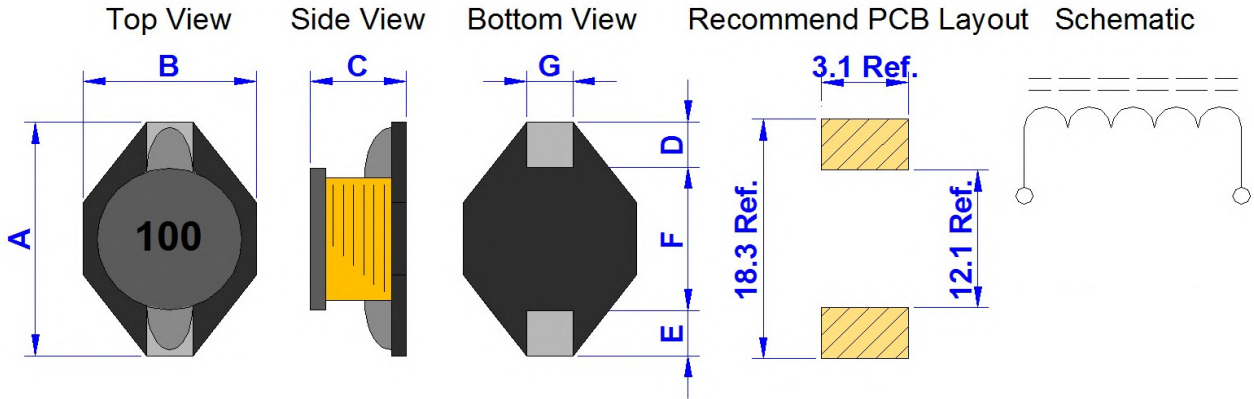
* Isat = L value 10% drop

* I rms = Temperature 40 deg.C Rise

Product Series : GDO	Brand : GOTREND
File Version : GDO-SERIES-V3R3	Editor : Teddy Sun
Established Date : 2009.08.04	Description : Ferrite Core With Plastic Base Inductor
Latest Edit Date : 2020.10.30	Product Type : <input checked="" type="checkbox"/> Standard <input type="checkbox"/> Customize

GDO1306P-SERIES

Dimension [mm] :



Size	A [Max.]	B [Max.]	C [Max.]	D [+/-0.3]	E [+/-0.3]	F [+/-1.0]	G [+/-0.3]
1306	18.54	15.24	7.11	2.50	2.50	12.70	2.50

Electrical Characteristics :

Part No.	L (uH) +/-20%	DCR (Ohm) Max.	SRF (MHz) Typ.	Isat (A) Typ.	Irms (A) Typ.
GDO1306P-1R0M	1.00	0.009	80.0	20.00	8.60
GDO1306P-2R2N	2.20	0.014	80.0	16.00	7.10
GDO1306P-3R3N	3.30	0.018	60.0	14.00	6.20
GDO1306P-5R6M	5.60	0.020	40.0	12.00	5.30
GDO1306P-100M	10.00	0.031	30.0	10.00	4.30
GDO1306P-150M	15.00	0.036	22.0	8.00	4.00
GDO1306P-220M	22.00	0.047	20.0	7.00	3.50
GDO1306P-330M	33.00	0.066	15.0	5.50	3.00
GDO1306P-470M	47.00	0.086	9.0	4.50	2.60
GDO1306P-680M	68.00	0.130	8.0	3.50	2.30
GDO1306P-101M	100.00	0.190	7.0	3.00	1.80
GDO1306P-151M	150.00	0.250	6.0	2.60	1.50
GDO1306P-221M	220.00	0.380	5.0	2.40	1.20
GDO1306P-331M	330.00	0.560	4.0	1.90	1.00
GDO1306P-471M	470.00	0.850	3.0	1.40	0.82
GDO1306P-681M	680.00	1.100	2.5	1.20	0.72
GDO1306P-102M	1000.00	1.800	2.0	1.00	0.56
GDO1306P-152M	1500.00	2.660	/	0.80	0.46
GDO1306P-222M	2200.00	4.300	/	0.60	0.36
GDO1306P-332M	3300.00	6.600	/	0.30	0.29
GDO1306P-472M	4700.00	9.700	/	0.09	0.24
GDO1306P-682M	6800.00	11.500	/	0.07	0.22
GDO1306P-722M	7200.00	12.200	/	0.06	0.21

* Test @100KHz, 1Vrms

* Isat = L value 10% drop

* I rms = Temperature 40 deg.C Rise

Product Series : GDOL	Brand : GOTREND
File Version : GDOL-SERIES-V2R4	Editor : Teddy Sun
Established Date : 2002.09.28	Description : SMD Inductor with Plastic Base
Latest Edit Date : 2020.10.30	Product Type : <input checked="" type="checkbox"/> Standard <input type="checkbox"/> Customize

Features & Application :

- * SMD choke with base and low RDC enhanced.
- * Fit for power line circuit
- * To help you go pass the CE/FCC standard.
- * PC Base Device / Handheld Device / IA....



(Picture for reference only)

Part No. Example :

PN	:	GDOL	0806	P	-	3R3	M
-----		-----	-----	---		-----	----
ID	:	1	2	3		4	5
1	:	GOTREND Series: GDOL					
2	:	Size Code : 0806					
3	:	P = Pb free < 1000ppm					
4	:	[L] Value : Inductance 3R3 = 3.3uH					
5	:	Tolerance : M=+/-20%					

Basic Information :

Made in	China
Pin Foot	SMD
Shielding	No
J-STD-020	MSL Level 1
RoHS	Compliant
REACH	Compliant
Halogen	Free

Operating & Storage Condition :

- * Operating Temp -40 ~ +125 deg.C (Including self - temperature rise)
- * Storage Temp 1. -10 ~ +45 deg.C , 50 ~ 60% RH (Product with taping)
2. -40 ~ +125 deg.C (On board)
- * Storage Life Time 12 MONTH (Less than 40 deg.C and 60% RH)

Attention & Caution :

- * Keep out of Splashing water or salt water
- * Avoid Toxic Gas (Hydrogen sulfide, Sulfurous acid, Chlorine, Ammonia)
- Vibrations or shocks which exceed the specified condition
- Dew condense
- Layout near the edge of PCB
- Over flexure after SMT mounting & PCBA



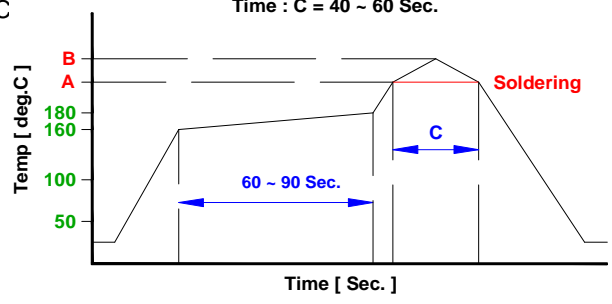
- * Pin foot or SMD pad solderability: Pb free type is best within 6 months after delivery
- * Humidity sensitive , IPC/JEDEC J-STD-020 MSL if over Level 1, recommend bake 30mins@150 degree before PCBA
- * Caution for human life relative applications : PLS contact & consult with GOTREND team in design stage.

Test Condition :

- * Equipment HP4284A , HP42841A - L , Q , DCR , IDC
HP8753D Network analyzer - SRF
- * Standard Atmosphere Conditions:
Ambient Temperature 20 ± 15 deg.C
Humidity RH 65 ± 20%
- * If there may be any doubt on the test result ,
Measurement shall be made within the following limits:
Ambient Temperature 25 ± 5 deg.C
Humidity RH 75 ± 10%

Recommend IR Reflow Curve : GTX-IR-FILE001

Lead Free Solder : A = 217 deg.C , B = 245+/-5 deg.C
Time : C = 40 ~ 60 Sec.

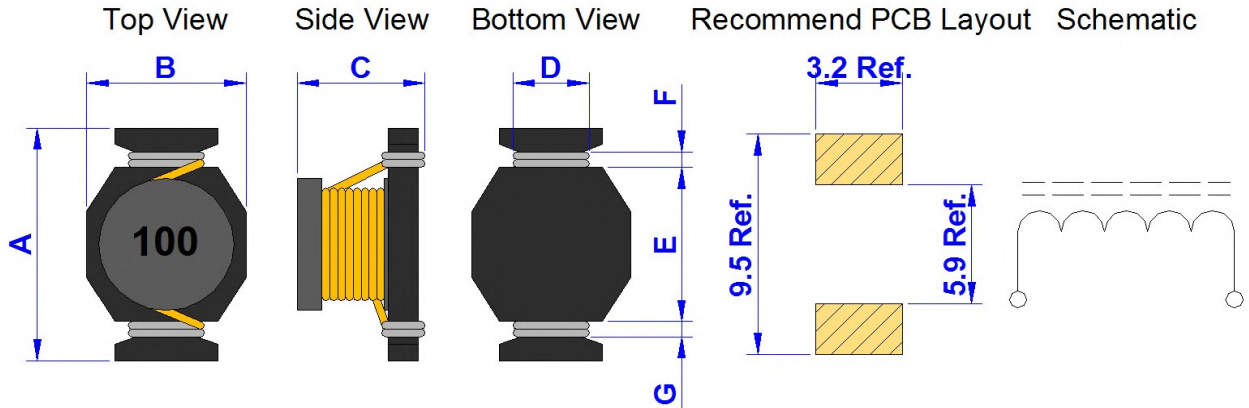


**Notice : Iron Soldering , Solder < 30 Watt ,
Direct touch the terminal x 3 Sec. Max. @ 350 deg.C**

Product Series : GDOL	Brand : GOTREND
File Version : GDOL-SERIES-V2R4	Editor : Teddy Sun
Established Date : 2002.09.28	Description : SMD Inductor with Plastic Base
Latest Edit Date : 2020.10.30	Product Type : <input checked="" type="checkbox"/> Standard <input type="checkbox"/> Customize

GDOL0806P-SERIES

Dimension [mm] :



Size	A(Max.)	B(Max.)	C(Max.)	D(+/-0.5)	E(+/-0.3)	F(+/-0.5)	G(+/-0.5)
0806	9.00	6.20	4.90	2.60	6.50	1.20	1.20

Electrical Characteristics :

Part No.	L (uH)	DCR (Ohm) Max.	SRF (MHz) Typ.	Isat (A) Typ.	Irms (A) Typ.
GDOL0806P-R18M	0.18	0.003	800	14.00	10.00
GDOL0806P-R33N	0.33	0.004	600	10.00	7.00
GDOL0806P-R56M	0.56	0.010	200	7.70	6.00
GDOL0806P-1R2M	1.20	0.017	140	5.30	4.40
GDOL0806P-2R2M	2.20	0.035	100	3.50	3.10
GDOL0806P-3R3M	3.30	0.040	80	3.00	2.70
GDOL0806P-4R7M	4.70	0.054	50	2.60	2.20
GDOL0806P-6R8M	6.80	0.080	45	2.20	1.80
GDOL0806P-100M	10.00	0.110	40	1.90	1.50
GDOL0806P-150M	15.00	0.170	30	1.50	1.20
GDOL0806P-220M	22.00	0.250	25	1.20	1.00
GDOL0806P-330M	33.00	0.350	20	0.99	0.82
GDOL0806P-470M	47.00	0.470	15	0.87	0.72

* Test Condition @ 1KHz / 1V

* L-Tolerance : M = +/-20% ; N = +/-30%

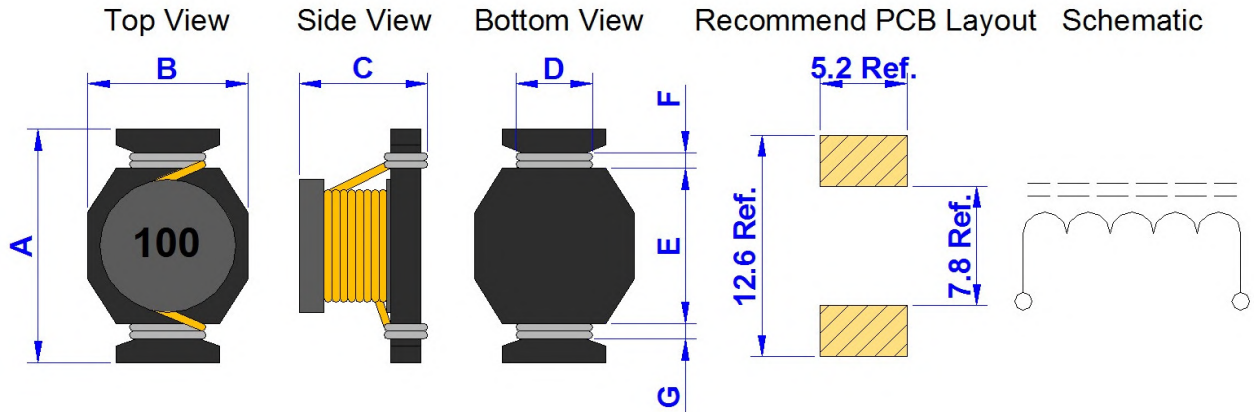
* Isat = Base on L drop 10% typ.

* Irms = Base on Temp. rise up 30 deg.C typ.

Product Series : GDOL	Brand : GOTREND
File Version : GDOL-SERIES-V2R4	Editor : Teddy Sun
Established Date : 2002.09.28	Description : SMD Inductor with Plastic Base
Latest Edit Date : 2020.10.30	Product Type : <input checked="" type="checkbox"/> Standard <input type="checkbox"/> Customize

GDOL1205P-SERIES

Dimension [mm] :



Size	A(Max.)	B(Max.)	C(Max.)	D(+/-0.5)	E(+/-0.3)	F(+/-0.5)	G(+/-0.5)
1205	13.20	9.90	6.40	4.60	8.40	1.80	1.80

Electrical Characteristics :

Part No.	L (uH)	DCR (Ohm) Max.	SRF (MHz) Typ.	Isat (A) Typ.	Irms (A) Typ.
GDOL1205P-R33M	0.33	0.002	300	20.00	16.00
GDOL1205P-R68M	0.68	0.005	200	13.00	12.00
GDOL1205P-1R0M	1.00	0.006	100	11.00	10.00
GDOL1205P-1R5M	1.50	0.008	90	9.00	9.00
GDOL1205P-2R2M	2.20	0.011	90	7.80	7.40
GDOL1205P-2R7M	2.70	0.012	65	7.00	6.60
GDOL1205P-3R3M	3.30	0.014	65	6.40	5.90
GDOL1205P-4R7M	4.70	0.018	45	5.40	4.80

* Test Condition @ 1KHz / 1V

* L-Tolerance : M = +/-20% ; N = +/-30%

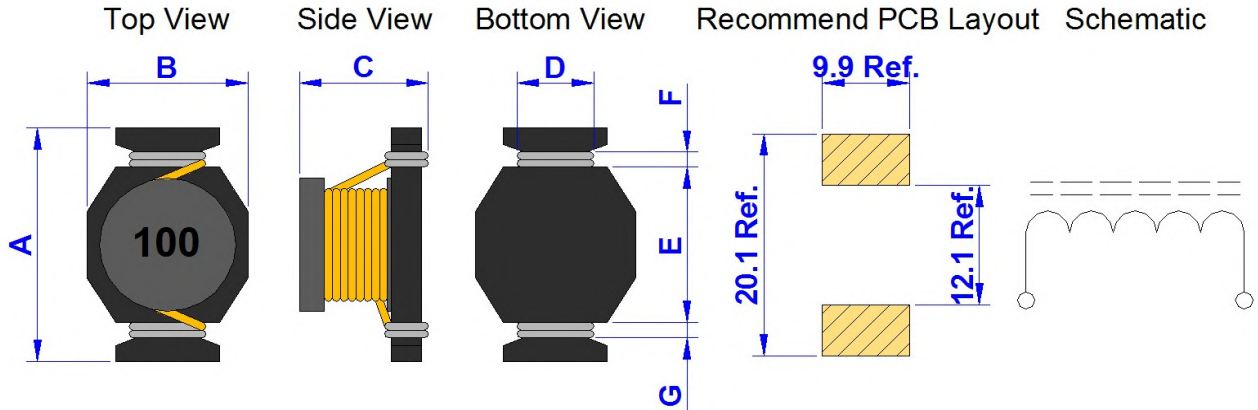
* Isat = Base on L drop 10% typ.

* Irms = Base on Temp. rise up 30 deg.C typ.

Product Series : GDOL	Brand : GOTREND
File Version : GDOL-SERIES-V2R4	Editor : Teddy Sun
Established Date : 2002.09.28	Description : SMD Inductor with Plastic Base
Latest Edit Date : 2020.10.30	Product Type : <input checked="" type="checkbox"/> Standard <input type="checkbox"/> Customize

GDOL2207P-SERIES

Dimension [mm] :



Size	A(Max.)	B(Max.)	C(Max.)	D(+/-0.5)	E(+/-0.3)	F(+/-0.5)	G(+/-0.5)
2207	22.35	16.26	8.00	9.30	12.70	3.40	3.40

Electrical Characteristics :

Part No.	L (uH)	DCR (Ohm) Max.	SRF (MHz) Typ.	Isat (A) Typ.	Irms (A) Typ.
GDOL2207P-R78M	0.78	0.003	156	30.00	15.00
GDOL2207P-1R5M	1.50	0.004	100	25.00	15.00
GDOL2207P-2R2M	2.20	0.006	75	20.00	12.00
GDOL2207P-3R3M	3.30	0.009	60	17.00	10.00
GDOL2207P-3R9M	3.90	0.010	55	15.00	9.00
GDOL2207P-4R7M	4.70	0.014	40	13.00	8.40
GDOL2207P-6R0M	6.00	0.017	35	12.00	7.50
GDOL2207P-7R8M	7.80	0.018	35	11.00	7.50
GDOL2207P-100M	10.00	0.026	28	10.00	6.00
GDOL2207P-150M	15.00	0.032	20	8.00	4.40
GDOL2207P-220M	22.00	0.047	20	7.00	3.50
GDOL2207P-330M	33.00	0.066	15	5.50	3.00
GDOL2207P-470M	47.00	0.086	9	4.50	2.60
GDOL2207P-680M	68.00	0.130	8	3.50	2.30
GDOL2207P-101M	100.00	0.190	7	3.00	1.80
GDOL2207P-151M	150.00	0.250	6	2.60	1.50
GDOL2207P-221M	220.00	0.380	5	2.40	1.20
GDOL2207P-331M	330.00	0.560	4	1.90	1.00
GDOL2207P-471M	470.00	0.850	3	1.40	0.82
GDOL2207P-681M	680.00	1.100	3	1.20	0.72
GDOL2207P-102M	1000.00	1.800	2	1.00	0.56

* Test Condition @ 1KHz / 1V

* L-Tolerance : M = +/-20% ; N = +/-30%

* Isat = Base on L drop 10% typ.

* Irms = Base on Temp. rise up 30 deg.C typ.

Product Series : GLK	Brand : GOTREND
File Version : GLK-SERIES-V3R4	Editor : Teddy Sun
Established Date : 2009.08.05	Description : Low Profile Choke
Latest Edit Date : 2020.10.30	Product Type : <input checked="" type="checkbox"/> Standard <input type="checkbox"/> Customize

Features & Application :

- 1.Power supply PWM circuit input / output inductor
- 2.Power line noise suppression
- 3.DC-DC Converter
- 4.To help you go pass CE/FCC standard
- 5.TFT/ WiFi/ MobilePhone/ MP3/ PDA....etc. Application
- 6.Low Profile for all compact design



(Picture for reference only)

Part No. Example :

PN	:	GLK	2510	P	[]	-	2R2	M	[]
-----		-----	-----	---	---		-----	---	---
ID	:	1	2	3	4		5	6	7
1	:	GOTREND Series Code							
2	:	Dimension Code : 2510 = (L) 2.5 x (W) 2.4 x (H) 1.0 mm							
3	:	RoHS Compliance							
4	:	Special Code for Series : [G] = Epoxy coating with winding							
5	:	Inductance : 2R2 = 2.2uH Ex: 100=10uH, 101=100uH							
6	:	Tolerance : K=10%, M=20%, N=30%							
7	:	Special Code for specific item : S=Custom Design							

Basic Information :

Made in	China
Pin Foot	SMD
Shielding	No
J-STD-020	MSL Level 1
RoHS	Compliant
REACH	Compliant
Halogen	Free

Operating & Storage Condition :

- * Operating Temp -40 ~ +125 deg.C (Including self - temperature rise)
- * Storage Temp 1. -10 ~ +45 deg.C , 50 ~ 60% RH (Product with taping)
2. -40 ~ +125 deg.C (On board)
- * Storage Life Time 6 Month (Less than 40 deg.C and 60% RH)

Attention & Caution :

- * Keep out of Splashing water or salt water
- * Avoid Toxic Gas (Hydrogen sulfide, Sulfurous acid, Chlorine, Ammonia)
- Vibrations or shocks which exceed the specified condition
- Dew condense
- Layout near the edge of PCB
- Over flexure after SMT mounting & PCBA



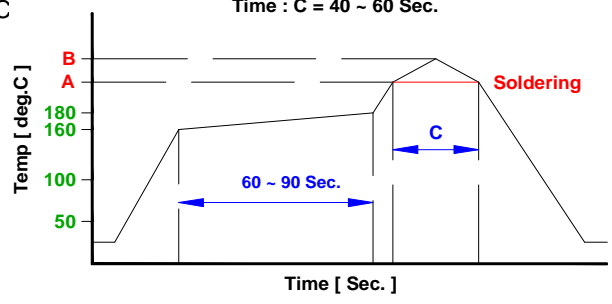
- * Pin foot or SMD pad solderability: Pb free type is best within 6 months after delivery
- * Humidity sensitive , IPC/JEDEC J-STD-020 MSL if over Level 1, recommend bake 30mins@150 degree before PCBA
- * Caution for human life relative applications : PLS contact & consult with GOTREND team in design stage.

Test Condition :

- * Equipment HP4284A , HP42841A - L , Q , DCR , IDC
HP8753D Network analyzer - SRF
- * Standard Atmosphere Conditions:
Ambient Temperature 20 ± 15 deg.C
Humidity RH 65 ± 20%
- * If there may be any doubt on the test result ,
Measurement shall be made within the following limits:
Ambient Temperature 25 ± 5 deg.C
Humidity RH 75 ± 10%

Recommend IR Reflow Curve : GTX-IR-FILE001

Lead Free Solder : A = 217 deg.C , B = 245+/-5 deg.C
Time : C = 40 ~ 60 Sec.

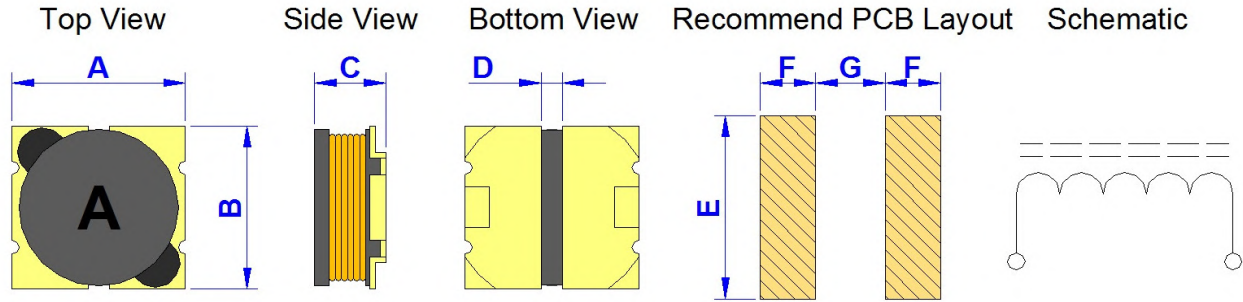


**Notice : Iron Soldering , Solder < 30 Watt ,
Direct touch the terminal x 3 Sec. Max. @ 350 deg.C**

Product Series : GLK	Brand : GOTREND
File Version : GLK-SERIES-V3R4	Editor : Teddy Sun
Established Date : 2009.08.05	Description : Low Profile Choke
Latest Edit Date : 2020.10.30	Product Type : <input checked="" type="checkbox"/> Standard <input type="checkbox"/> Customize

GLK2510P-SERIES

Dimension [mm] :



Size	A (Max.)	B (Max.)	C (Max.)	D (Ref.)	E (Ref.)	F (Ref.)	G (Ref.)
2510	2.5	2.4	1.0	0.3	2.7	0.8	1.0

Electrical Characteristics :

GOTREND PN	Inductance @100KHz / 0.1V (uH)	L- Tolerance	Isat-1 @L-Drop 10% (mA / Typ.)	Isat-2 @L-Drop 35% (mA / Typ.)	Irms @ $\Delta T=40^{\circ}C$ (mA / Max.)	RDC (m Ω / Typ.)	RDC (m Ω / Max.)	Marking
GLK2510P-1R0	1.00	M / N	1700	1800	1200	145.0	190.0	A
GLK2510P-1R2	1.20	M / N	1500	1600	1150	160.0	210.0	N
GLK2510P-1R5	1.50	M / N	1400	1450	1100	185.0	240.0	B
GLK2510P-1R8	1.80	M / N	1300	1350	1050	200.0	260.0	C
GLK2510P-2R2	2.20	M / N	1200	1250	1000	230.0	300.0	D
GLK2510P-2R5	2.50	M / N	1100	1200	950	250.0	320.0	K
GLK2510P-3R3	3.30	M / N	1050	1100	850	300.0	390.0	E
GLK2510P-4R7	4.70	M / N	920	960	750	360.0	470.0	F
GLK2510P-5R3	5.30	M / N	820	850	600	520.0	680.0	G
GLK2510P-6R8	6.80	M / N	730	800	550	590.0	770.0	H
GLK2510P-8R2	8.20	M / N	650	720	480	730.0	950.0	I
GLK2510P-100	10.00	M	550	620	400	980.0	1250.0	J
GLK2510P-220	22.00	M	420	450	280	1780.0	2150.0	L
GLK2510P-330	33.00	M	320	370	200	2930.0	3500.0	P
GLK2510P-470	47.00	M	280	310	170	3790.0	4550.0	W

■ L value test frequency : @ 100KHz / 0.1V

■ L-Tolerance : M = $\pm 20\%$, N = $\pm 30\%$

■ The Isat1 is the current at which the inductance decreases by 10% from the initial value

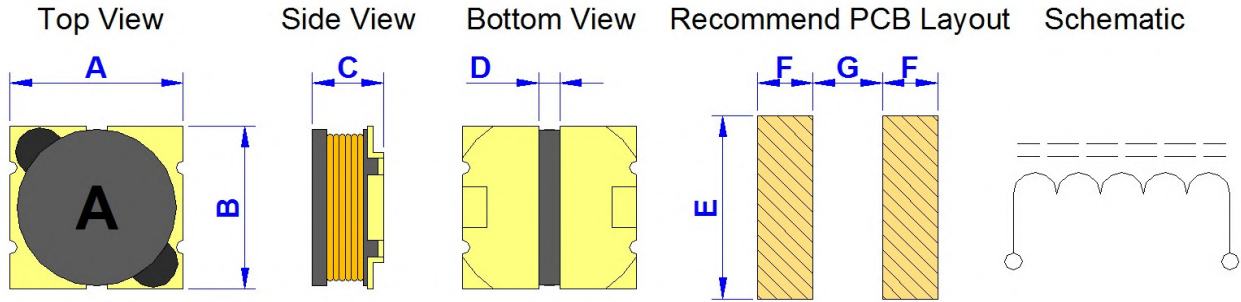
■ The Isat2 is the current at which the inductance decreases by 35% from the initial value

■ The Irms is the current at which the temperature rise is $\Delta T < 40^{\circ}C$,whichever ($T_a = 20^{\circ}C$).

Product Series : GLK	Brand : GOTREND
File Version : GLK-SERIES-V3R4	Editor : Teddy Sun
Established Date : 2009.08.05	Description : Low Profile Choke
Latest Edit Date : 2020.10.30	Product Type : <input checked="" type="checkbox"/> Standard <input type="checkbox"/> Customize

GLK2515P-SERIES

Dimension [mm] :



Size	A (Max.)	B (Max.)	C (Max.)	D (Ref.)	E (Ref.)	F (Ref.)	G (Ref.)
2515	2.5	2.4	1.5	0.3	2.7	0.8	1.0

Electrical Characteristics :

GOTREND PN	Inductance @100KHz / 0.1V (uH)	L- Tolerance	Isat-1 @L-Drop 10% (mA / Typ.)	Isat-2 @L-Drop 35% (mA / Typ.)	I _{rms} @ΔT=40 °C (mA / Max.)	RDC (mΩ / Typ.)	RDC (mΩ / Max.)	Marking
GLK2515P-1R0□	1.00	M / N	2330	2750	1520	74.2	89.0	A
GLK2515P-1R5□	1.50	M / N	2160	2330	1440	92.7	115.0	B
GLK2515P-2R2□	2.20	M / N	1750	1880	1080	139.5	168.0	C
GLK2515P-3R3□	3.30	M / N	1400	1540	880	211.6	254.0	D
GLK2515P-4R7□	4.70	M / N	1200	1300	840	248.9	298.0	E
GLK2515P-5R6□	5.60	M / N	1080	1200	680	339.8	408.0	F
GLK2515P-6R8□	6.80	M / N	950	1040	600	462.5	556.0	G
GLK2515P-8R2□	8.20	M / N	850	960	560	493.8	593.0	H
GLK2515P-100□	10.00	K / M	790	920	550	562.6	696.0	I
GLK2515P-120□	12.00	K / M	720	820	450	890.0	1110.0	L
GLK2515P-150□	15.00	K / M	600	700	400	980.0	1180.0	M
GLK2515P-220□	22.00	K / M	560	610	350	1193.0	1428.0	J

■ L value test frequency : @ 100KHz / 0.1V

■ L-Tolerance : M = ±20% , N = ±30%

■ The Isat1 is the current at which the inductance decreases by 10% from the initial value

■ The Isat2 is the current at which the inductance decreases by 35% from the initial value

■ The I_{rms} is the current at which the temperature rise is ΔT < 40°C ,whichever (Ta = 20°C).

Product Series : GSDR	Brand : GOTREND
File Version : GSDR-SERIES-V7R6	Editor : Teddy Sun
Established Date : 2009.07.27	Description : SMD Ferrite DR Core Inductor
Latest Edit Date : 2020.10.30	Product Type : <input checked="" type="checkbox"/> Standard <input type="checkbox"/> Customize

Features & Application :

- * SMD Drum Choke for power line / signal line of various size
- * Low Profile even 3x3x1.4 mm and low cost
- * To help you go pass the CE/FCC standard.
- * Mobil Device / Handheld Device / LowProfile Device / Panel...



(Picture for reference only)

Part No. Example :

PN	:	GSDR	53	P	<input type="checkbox"/>	- 470	K	<input type="checkbox"/>
-----		-----	-----	---	---	-----	----	---
ID	:	1	2	3	4	5	6	7
1	:	GOTREND Series : GSDR						
2	:	Dimension Code : 5 X 5 X 3 mm						
3	:	P = Pb < 1000 ppm						
4	:	Unique Spec :						
		[L] Low Profile						
		[G] 封 EPOXY 膠						
		[H] Wire grade , H = 180°C						
		[M] 封 EMI 膠						
5	:	L Value , Ex : 470 = 47 uH						
6	:	Tolerance : K = 10% , M = 20%						
7	:	S = Customer Design						

Basic Information :

Made in	China
Pin Foot	SMD
Shielding	No
J-STD-020	MSL Level 1
RoHS	Compliant
REACH	Compliant
Halogen	Free

Operating & Storage Condition :

- * Operating Temp -40 ~ +125 deg.C (Including self - temperature rise)
- * Storage Temp 1. -10 ~ +45 deg.C , 50 ~ 60% RH (Product with taping)
2. -40 ~ +125 deg.C (On board)
- * Storage Life Time 12 Month (Less than 40 deg.C and 60% RH)

Attention & Caution :

- * Keep out of Splashing water or salt water
- * Avoid Toxic Gas (Hydrogen sulfide, Sulfurous acid, Chlorine, Ammonia)
- Vibrations or shocks which exceed the specified condition
- Dew condense
- Layout near the edge of PCB
- Over flexure after SMT mounting & PCBA



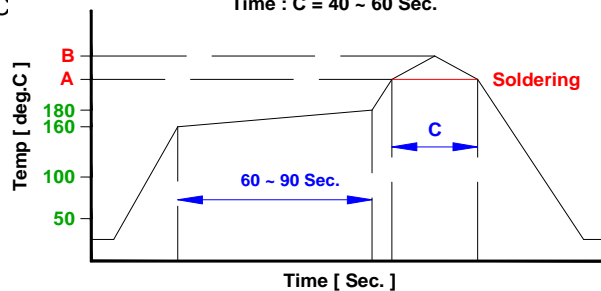
- * Pin foot or SMD pad solderability: Pb free type is best within 6 months after delivery
- * Humidity sensitive , IPC/JEDEC J-STD-020 MSL if over Level 1, recommend bake 30mins@150 degree before PCBA
- * Caution for human life relative applications : PLS contact & consult with GOTREND team in design stage.

Test Condition :

- * Equipment HP4284A , HP42841A - L , Q , DCR , IDC
HP8753D Network analyzer - SRF
- * Standard Atmosphere Conditions:
Ambient Temperature 20 ± 15 deg.C
Humidity RH 65 ± 20%
- * If there may be any doubt on the test result ,
Measurement shall be made within the following limits:
Ambient Temperature 25 ± 5 deg.C
Humidity RH 75 ± 10%

Recommend IR Reflow Curve : GTX-IR-FILE001

Lead Free Solder : A = 217 deg.C , B = 245+/-5 deg.C
Time : C = 40 ~ 60 Sec.

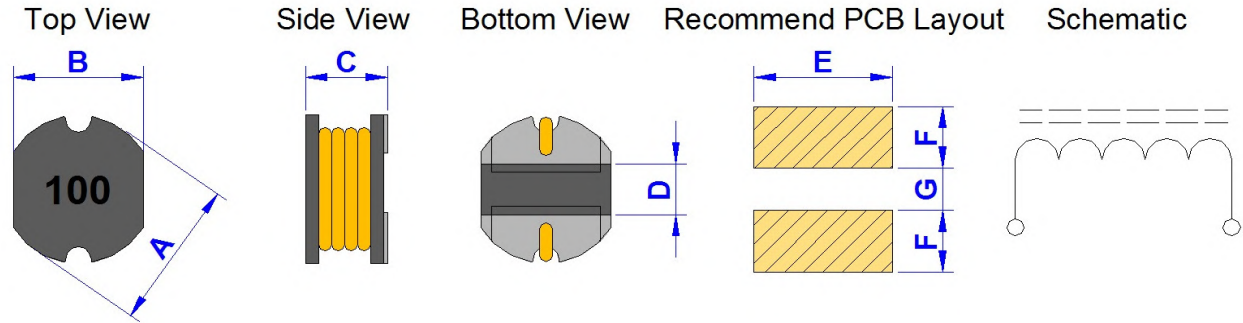


Notice : Iron Soldering , Solder < 30 Watt ,
Direct touch the terminal x 3 Sec. Max. @ 350 deg.C

Product Series : GSDR	Brand : GOTREND
File Version : GSDR-SERIES-V7R6	Editor : Teddy Sun
Established Date : 2009.07.27	Description : SMD Ferrite DR Core Inductor
Latest Edit Date : 2020.10.30	Product Type : <input checked="" type="checkbox"/> Standard <input type="checkbox"/> Customize

GSDR31P-SERIES

Dimension [mm] :



Size	A+/-0.3	B+/-0.3	C+/-0.3	D[Ref.]	E[Ref.]	F[Ref.]	G[Ref.]
31	3.50	3.00	1.60	1.20	3.20	1.45	1.00

Electrical Characteristics :

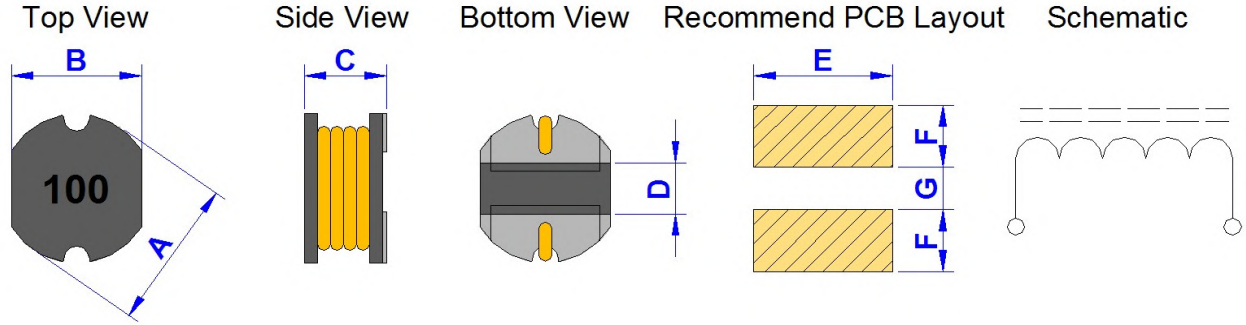
Part No.	L (uH)	DCR (ohm) (Max.)	D.C. Current (Amp) (Max.)
GSDR31P-1R0□	1.0	0.048	1.60
GSDR31P-1R5□	1.5	0.100	1.55
GSDR31P-2R2□	2.2	0.078	1.47
GSDR31P-3R3□	3.3	0.126	1.34
GSDR31P-3R9□	3.9	0.140	1.24
GSDR31P-4R7□	4.7	0.158	1.22
GSDR31P-5R6□	5.6	0.186	1.09
GSDR31P-6R8□	6.8	0.213	0.96
GSDR31P-8R2□	8.2	0.238	0.84
GSDR31P-100□	10	0.307	0.70
GSDR31P-120□	12	0.372	0.65
GSDR31P-150□	15	0.466	0.59
GSDR31P-180□	18	0.515	0.54
GSDR31P-220□	22	0.656	0.48
GSDR31P-270□	27	0.774	0.43
GSDR31P-330□	33	1.021	0.37
GSDR31P-390□	39	1.122	0.32
GSDR31P-470□	47	1.509	0.26
GSDR31P-560□	56	1.675	0.24
GSDR31P-680□	68	1.919	0.23
GSDR31P-820□	82	2.644	0.21
GSDR31P-101□	100	2.870	0.19
GSDR31P-121□	120	4.084	0.17
GSDR31P-151□	150	4.774	0.16
GSDR31P-181□	180	5.699	0.14
GSDR31P-221□	220	9.000	0.12
GSDR31P-102□	1000	34.000	0.07
GSDR31P-122□	1200	35.000	0.057

- Measuring Freq. : 100KHz , 0.25V / Test Instrument : HP4284A
- L Value Tolerance : <1.0 uH = 30% ; 1.0~8.2uH = 20% ; 10uH~1200uH = 10% / 20%
- D.C. Current : Base on L drop 10% Max. & Temp. rise up 40 deg.C Max.

Product Series : GSDR	Brand : GOTREND
File Version : GSDR-SERIES-V7R6	Editor : Teddy Sun
Established Date : 2009.07.27	Description : SMD Ferrite DR Core Inductor
Latest Edit Date : 2020.10.30	Product Type : <input checked="" type="checkbox"/> Standard <input type="checkbox"/> Customize

GSDR31PL-SERIES

Dimension [mm] :



Size	A+/-0.3	B+/-0.3	C+/-0.3	D[Ref.]	E[Ref.]	F[Ref.]	G[Ref.]
31L	3.50	3.00	1.40 [Max.]	1.20	3.20	1.45	1.00

Electrical Characteristics :

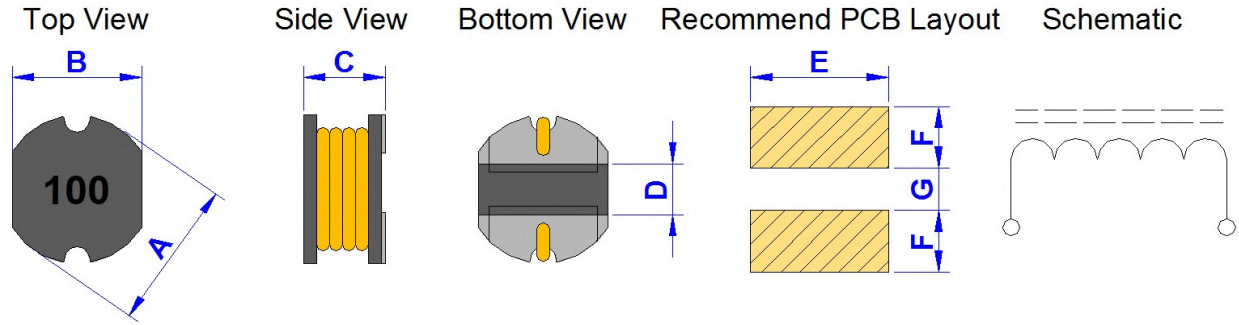
Part No.	L (uH)	DCR (ohm) (Max.)	D.C. Current (Amp) (Max.)
GSDR31PL-1R0□	1.0	0.060	1.40
GSDR31PL-2R2□	2.2	0.110	1.05
GSDR31PL-3R3□	3.3	0.150	0.80
GSDR31PL-4R7□	4.7	0.210	0.75
GSDR31PL-5R6□	5.6	0.250	0.65
GSDR31PL-6R8□	6.8	0.300	0.56
GSDR31PL-8R2□	8.2	0.380	0.50
GSDR31PL-100□	10	0.440	0.45
GSDR31PL-120□	12	0.500	0.43
GSDR31PL-150□	15	0.610	0.39
GSDR31PL-180□	18	0.730	0.32
GSDR31PL-220□	22	0.910	0.28
GSDR31PL-270□	27	1.150	0.26
GSDR31PL-330□	33	1.390	0.25
GSDR31PL-390□	39	1.880	0.23
GSDR31PL-470□	47	2.260	0.21
GSDR31PL-560□	56	2.690	0.20
GSDR31PL-680□	68	3.180	0.18
GSDR31PL-820□	82	3.670	0.16
GSDR31PL-101□	100	4.940	0.14
GSDR31PL-121□	120	5.350	0.12

- Measuring Freq. : 100KHz , 0.25V / Test Instrument : HP4284A
- L Value Tolerance : <1.0 uH = 30% ; 1.0~8.2uH = 20% ; 10uH~120uH = 10% / 20%
- D.C. Current : Base on L drop 10% Max. & Temp. rise up 40 deg.C Max.

Product Series : GSDR	Brand : GOTREND
File Version : GSDR-SERIES-V7R6	Editor : Teddy Sun
Established Date : 2009.07.27	Description : SMD Ferrite DR Core Inductor
Latest Edit Date : 2020.10.30	Product Type : <input checked="" type="checkbox"/> Standard <input type="checkbox"/> Customize

GSDR32P-SERIES

Dimension [mm] :



Size	A+/-0.3	B+/-0.3	C+/-0.3	D[Ref.]	E[Ref.]	F[Ref.]	G[Ref.]
32	3.50	3.00	2.00	1.20	3.20	1.45	1.00

Electrical Characteristics :

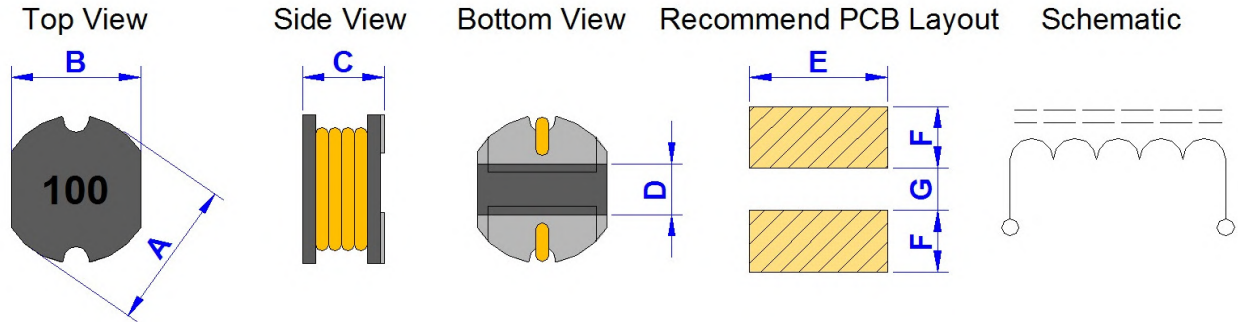
Part No.	L (uH)	DCR (ohm) (Max.)	D.C. Current (Amp) (Max.)
GSDR32P-R10□	0.1	0.020	4.50
GSDR32P-R50□	0.5	0.020	4.20
GSDR32P-1R0□	1.0	0.035	3.34
GSDR32P-1R2□	1.2	0.044	3.10
GSDR32P-1R4□	1.4	0.045	3.01
GSDR32P-1R5□	1.5	0.045	3.01
GSDR32P-1R8□	1.8	0.054	2.68
GSDR32P-2R2□	2.2	0.059	2.35
GSDR32P-2R7□	2.7	0.077	2.01
GSDR32P-3R3□	3.3	0.098	1.83
GSDR32P-3R9□	3.9	0.117	1.64
GSDR32P-4R7□	4.7	0.137	1.50
GSDR32P-5R6□	5.6	0.157	1.36
GSDR32P-6R8□	6.8	0.196	1.22
GSDR32P-8R2□	8.2	0.230	1.09
GSDR32P-100□	10	0.286	0.95
GSDR32P-120□	12	0.322	0.88
GSDR32P-150□	15	0.398	0.82
GSDR32P-180□	18	0.520	0.76
GSDR32P-220□	22	0.660	0.63
GSDR32P-270□	27	0.760	0.62
GSDR32P-330□	33	0.870	0.56
GSDR32P-390□	39	1.100	0.51
GSDR32P-470□	47	1.250	0.47
GSDR32P-560□	56	1.590	0.42
GSDR32P-680□	68	1.820	0.38

- Measuring Freq. : 100KHz , 0.25V / Test Instrument : HP4284A
- L Value Tolerance : <1.0 uH = 30% ; 1.0~8.2uH = 20% ; 10uH~330uH = 10% / 20%
- D.C. Current : Base on L drop 10% Max. & Temp. rise up 40 deg.C Max.

Product Series : GSDR	Brand : GOTREND
File Version : GSDR-SERIES-V7R6	Editor : Teddy Sun
Established Date : 2009.07.27	Description : SMD Ferrite DR Core Inductor
Latest Edit Date : 2020.10.30	Product Type : <input checked="" type="checkbox"/> Standard <input type="checkbox"/> Customize

GSDR32P-SERIES

Dimension [mm] :



Size	A+/-0.3	B+/-0.3	C+/-0.3	D[Ref.]	E[Ref.]	F[Ref.]	G[Ref.]
32	3.50	3.00	2.00	1.20	3.20	1.45	1.00

Electrical Characteristics :

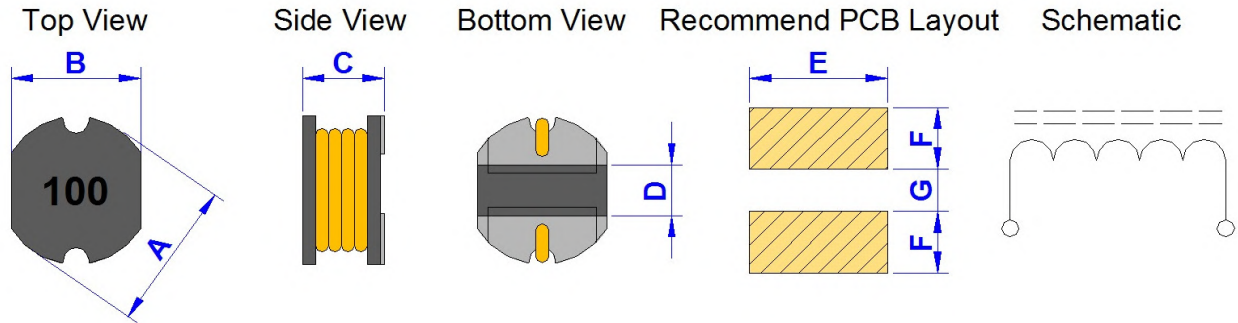
Part No.	L (uH)	DCR (ohm) (Max.)	D.C. Current (Amp) (Max.)
GSDR32P-820□	82	2.440	0.34
GSDR32P-101□	100	2.840	0.31
GSDR32P-121□	120	3.190	0.28
GSDR32P-151□	150	4.200	0.16
GSDR32P-181□	180	5.110	0.15
GSDR32P-221□	220	7.310	0.14
GSDR32P-271□	270	8.240	0.12
GSDR32P-331□	330	10.190	0.10

- Measuring Freq. : 100KHz , 0.25V / Test Instrument : HP4284A
- L Value Tolerance : <1.0 uH = 30% ; 1.0~8.2uH = 20% ; 10uH~330uH = 10% / 20%
- D.C. Current : Base on L drop 10% Max. & Temp. rise up 40 deg.C Max.

Product Series : GSDR	Brand : GOTREND
File Version : GSDR-SERIES-V7R6	Editor : Teddy Sun
Established Date : 2009.07.27	Description : SMD Ferrite DR Core Inductor
Latest Edit Date : 2020.10.30	Product Type : <input checked="" type="checkbox"/> Standard <input type="checkbox"/> Customize

GSDR43P-SERIES

Dimension [mm] :



Size	A+/-0.3	B+/-0.3	C+/-0.3	D[Ref.]	E[Ref.]	F[Ref.]	G[Ref.]
43	4.50	4.00	3.20	1.20	4.20	1.95	1.00

Electrical Characteristics :

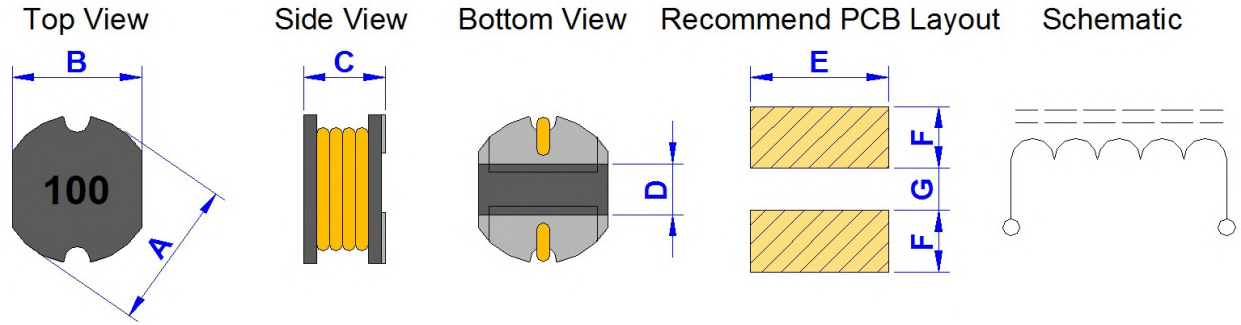
Part No.	L (uH)	DCR (ohm) (Max.)	D.C. Current (Amp) (Max.)
GSDR43P-R50□	0.5	0.011	5.50
GSDR43P-1R0□	1.0	0.033	3.80
GSDR43P-1R2□	1.2	0.035	3.60
GSDR43P-1R5□	1.5	0.039	3.20
GSDR43P-1R8□	1.8	0.042	2.91
GSDR43P-2R2□	2.2	0.047	2.60
GSDR43P-2R7□	2.7	0.052	2.43
GSDR43P-3R3□	3.3	0.058	2.15
GSDR43P-3R9□	3.9	0.076	1.98
GSDR43P-4R7□	4.7	0.094	1.70
GSDR43P-5R6□	5.6	0.101	1.60
GSDR43P-6R8□	6.8	0.117	1.41
GSDR43P-8R2□	8.2	0.132	1.26
GSDR43P-100□	10	0.182	1.15
GSDR43P-120□	12	0.210	1.05
GSDR43P-150□	15	0.235	0.92
GSDR43P-180□	18	0.338	0.84
GSDR43P-220□	22	0.378	0.76
GSDR43P-270□	27	0.522	0.71
GSDR43P-330□	33	0.540	0.64
GSDR43P-390□	39	0.587	0.59
GSDR43P-470□	47	0.844	0.54
GSDR43P-560□	56	0.937	0.50
GSDR43P-680□	68	1.117	0.46
GSDR43P-820□	82	1.180	0.43
GSDR43P-101□	100	1.190	0.41

- Measuring Freq. : 100KHz , 0.25V / Test Instrument : HP4284A
- L Value Tolerance : <1.0 uH = 30% ; 1.0~8.2uH = 20% ; 10uH~1000uH = 10% / 20%
- D.C. Current : Base on L drop 10% Max. & Temp. rise up 40 deg.C Max.

Product Series : GSDR	Brand : GOTREND
File Version : GSDR-SERIES-V7R6	Editor : Teddy Sun
Established Date : 2009.07.27	Description : SMD Ferrite DR Core Inductor
Latest Edit Date : 2020.10.30	Product Type : <input checked="" type="checkbox"/> Standard <input type="checkbox"/> Customize

GSDR43P-SERIES

Dimension [mm] :



Size	A+/-0.3	B+/-0.3	C+/-0.3	D[Ref.]	E[Ref.]	F[Ref.]	G[Ref.]
43	4.50	4.00	3.20	1.20	4.20	1.95	1.00

Electrical Characteristics :

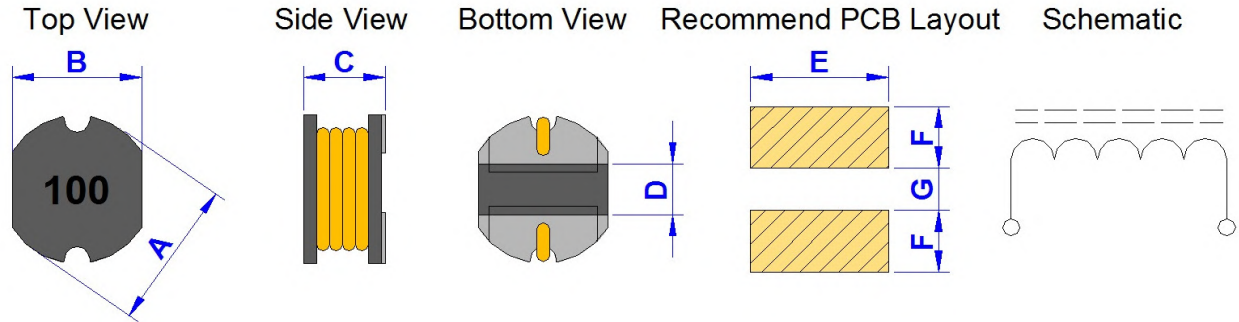
Part No.	L (uH)	DCR (ohm) (Max.)	D.C. Current (Amp) (Max.)
GSDR43P-121□	120	1.220	0.38
GSDR43P-151□	150	1.400	0.35
GSDR43P-181□	180	1.850	0.31
GSDR43P-221□	220	2.156	0.29
GSDR43P-271□	270	2.890	0.26
GSDR43P-331□	330	3.760	0.20
GSDR43P-391□	390	5.500	0.17
GSDR43P-471□	470	7.200	0.15
GSDR43P-102□	1000	11.500	0.08

- Measuring Freq. : 100KHz , 0.25V / Test Instrument : HP4284A
- L Value Tolerance : <1.0 uH = 30% ; 1.0~8.2uH = 20% ; 10uH~1000uH = 10% / 20%
- D.C. Current : Base on L drop 10% Max. & Temp. rise up 40 deg.C Max.

Product Series : GSDR	Brand : GOTREND
File Version : GSDR-SERIES-V7R6	Editor : Teddy Sun
Established Date : 2009.07.27	Description : SMD Ferrite DR Core Inductor
Latest Edit Date : 2020.10.30	Product Type : <input checked="" type="checkbox"/> Standard <input type="checkbox"/> Customize

GSDR52P-SERIES

Dimension [mm] :



Size	A+/-0.3	B+/-0.3	C+/-0.3	D[Ref.]	E[Ref.]	F[Ref.]	G[Ref.]
52	5.80	5.20	2.50	1.20	5.60	2.60	1.00

Electrical Characteristics :

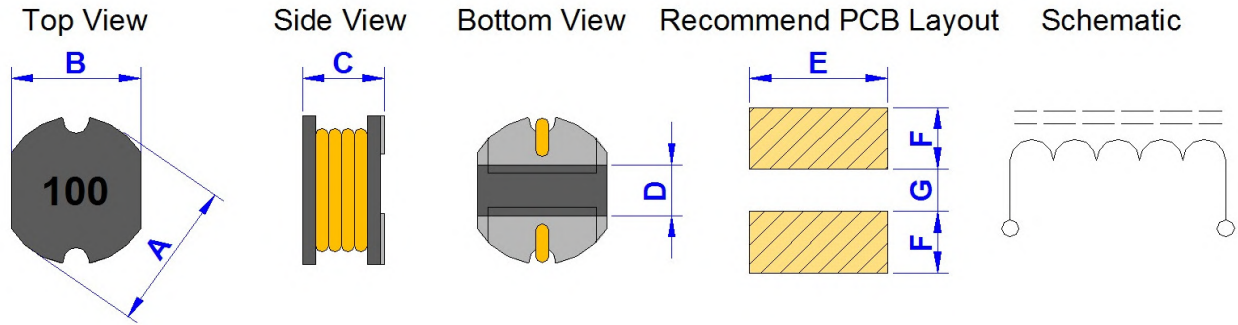
Part No.	L (uH)	DCR (ohm) (Max.)	D.C. Current (Amp) (Max.)
GSDR52P-R82□	0.82	0.040	5.00
GSDR52P-1R0□	1.0	0.050	4.20
GSDR52P-1R2□	1.2	0.060	4.00
GSDR52P-1R5□	1.5	0.060	3.70
GSDR52P-1R8□	1.8	0.070	3.50
GSDR52P-2R2□	2.2	0.080	3.20
GSDR52P-2R7□	2.7	0.100	2.70
GSDR52P-3R3□	3.3	0.120	2.40
GSDR52P-3R9□	3.9	0.140	2.00
GSDR52P-4R7□	4.7	0.150	1.80
GSDR52P-5R6□	5.6	0.160	1.50
GSDR52P-6R8□	6.8	0.170	1.40
GSDR52P-8R2□	8.2	0.200	1.30
GSDR52P-100□	10	0.230	1.10
GSDR52P-120□	12	0.250	1.05
GSDR52P-150□	15	0.300	1.00
GSDR52P-180□	18	0.350	0.90
GSDR52P-220□	22	0.400	0.85
GSDR52P-270□	27	0.500	0.75
GSDR52P-330□	33	0.550	0.70
GSDR52P-390□	39	0.650	0.60
GSDR52P-470□	47	0.750	0.55
GSDR52P-560□	56	0.950	0.50
GSDR52P-680□	68	1.200	0.45
GSDR52P-820□	82	1.400	0.40
GSDR52P-101□	100	1.750	0.35

- Measuring Freq. : 100KHz , 0.25V / Test Instrument : HP4284A
- L Value Tolerance : <1.0 uH = 30% ; 1.0~8.2uH = 20% ; 10uH~330uH = 10% / 20%
- D.C. Current : Base on L drop 10% Max. & Temp. rise up 40 deg.C Max.

Product Series : GSDR	Brand : GOTREND
File Version : GSDR-SERIES-V7R6	Editor : Teddy Sun
Established Date : 2009.07.27	Description : SMD Ferrite DR Core Inductor
Latest Edit Date : 2020.10.30	Product Type : <input checked="" type="checkbox"/> Standard <input type="checkbox"/> Customize

GSDR52P-SERIES

Dimension [mm] :



Size	A+/-0.3	B+/-0.3	C+/-0.3	D[Ref.]	E[Ref.]	F[Ref.]	G[Ref.]
52	5.80	5.20	2.50	1.20	5.60	2.60	1.00

Electrical Characteristics :

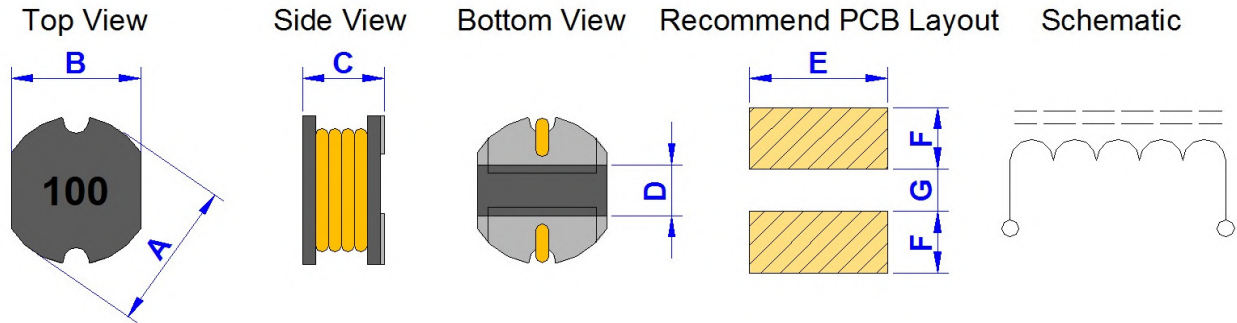
Part No.	L (uH)	DCR (ohm) (Max.)	D.C. Current (Amp) (Max.)
GSDR52P-121□	120	2.000	0.25
GSDR52P-151□	150	2.600	0.22
GSDR52P-181□	180	3.000	0.20
GSDR52P-221□	220	3.700	0.18
GSDR52P-271□	270	4.000	0.19
GSDR52P-331□	330	4.200	0.20

- Measuring Freq. : 100KHz , 0.25V / Test Instrument : HP4284A
- L Value Tolerance : <1.0 uH = 30% ; 1.0~8.2uH = 20% ; 10uH~330uH = 10% / 20%
- D.C. Current : Base on L drop 10% Max. & Temp. rise up 40 deg.C Max.

Product Series : GSDR	Brand : GOTREND
File Version : GSDR-SERIES-V7R6	Editor : Teddy Sun
Established Date : 2009.07.27	Description : SMD Ferrite DR Core Inductor
Latest Edit Date : 2020.10.30	Product Type : <input checked="" type="checkbox"/> Standard <input type="checkbox"/> Customize

GSDR53P-SERIES

Dimension [mm] :



Size	A+/-0.3	B+/-0.3	C+/-0.3	D[Ref.]	E[Ref.]	F[Ref.]	G[Ref.]
53	5.80	5.20	3.50 [Max.]	1.20	5.60	2.60	1.00

Electrical Characteristics :

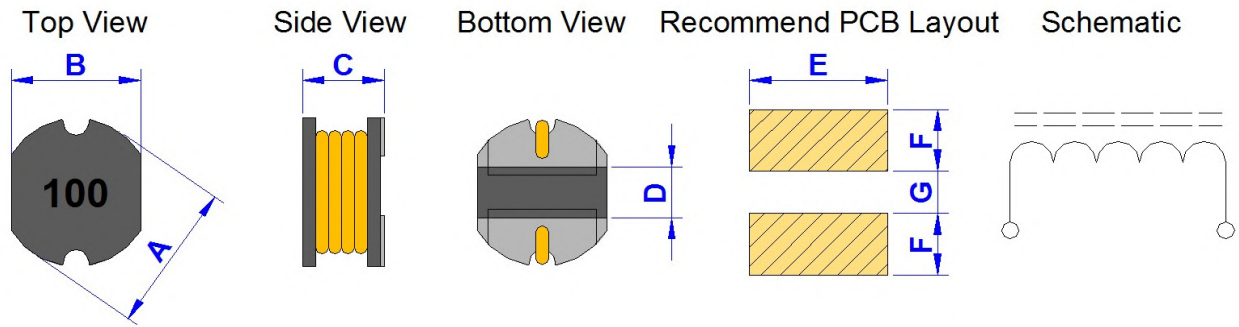
Part No.	L (uH)	DCR (ohm) (Max.)	D.C. Current (Amp) (Max.)
GSDR53P-1R0□	1.0	0.030	4.50
GSDR53P-1R2□	1.2	0.030	4.20
GSDR53P-1R5□	1.5	0.030	4.10
GSDR53P-1R8□	1.8	0.030	3.70
GSDR53P-2R2□	2.2	0.030	3.50
GSDR53P-2R7□	2.7	0.040	3.20
GSDR53P-3R3□	3.3	0.050	2.80
GSDR53P-3R9□	3.9	0.060	2.60
GSDR53P-4R7□	4.7	0.070	2.50
GSDR53P-5R6□	5.6	0.080	2.40
GSDR53P-6R8□	6.8	0.090	2.20
GSDR53P-8R2□	8.2	0.100	2.00
GSDR53P-100□	10	0.120	1.80
GSDR53P-120□	12	0.130	1.75
GSDR53P-150□	15	0.150	1.70
GSDR53P-180□	18	0.180	1.60
GSDR53P-220□	22	0.220	1.50
GSDR53P-270□	27	0.240	1.40
GSDR53P-330□	33	0.300	1.10
GSDR53P-390□	39	0.400	1.00
GSDR53P-470□	47	0.430	0.90
GSDR53P-560□	56	0.500	0.85
GSDR53P-680□	68	0.600	0.80
GSDR53P-820□	82	0.800	0.65
GSDR53P-101□	100	0.900	0.60
GSDR53P-121□	120	1.000	0.58

- Measuring Freq. : 100KHz , 0.25V / Test Instrument : HP4284A
- L Value Tolerance : <1.0 uH = 30% ; 1.0~8.2uH = 20% ; 10uH~3000uH = 10% / 20%
- D.C. Current : Base on L drop 10% Max. & Temp. rise up 40 deg.C Max.

Product Series : GSDR	Brand : GOTREND
File Version : GSDR-SERIES-V7R6	Editor : Teddy Sun
Established Date : 2009.07.27	Description : SMD Ferrite DR Core Inductor
Latest Edit Date : 2020.10.30	Product Type : <input checked="" type="checkbox"/> Standard <input type="checkbox"/> Customize

GSDR53P-SERIES

Dimension [mm] :



Size	A+/-0.3	B+/-0.3	C+/-0.3	D[Ref.]	E[Ref.]	F[Ref.]	G[Ref.]
53	5.80	5.20	3.50 [Max.]	1.20	5.60	2.60	1.00

Electrical Characteristics :

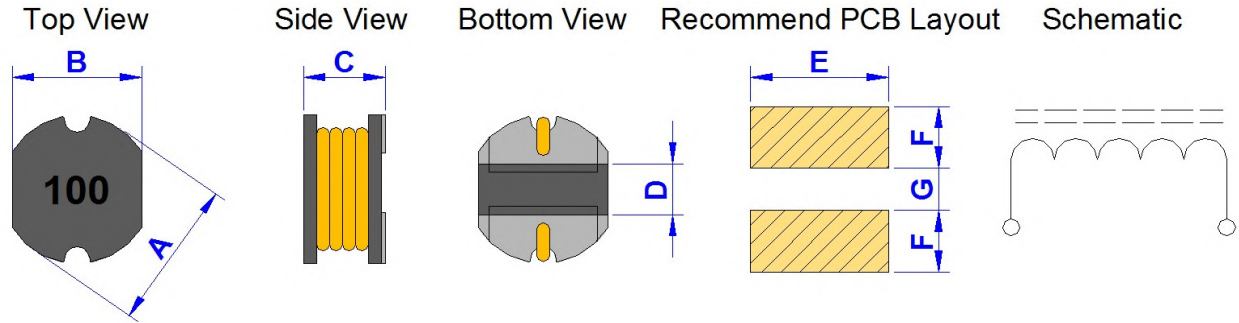
Part No.	L (uH)	DCR (ohm) (Max.)	D.C. Current (Amp) (Max.)
GSDR53P-151□	150	1.300	0.43
GSDR53P-181□	180	1.500	0.41
GSDR53P-221□	220	2.000	0.38
GSDR53P-271□	270	2.500	0.35
GSDR53P-331□	330	3.200	0.28
GSDR53P-471□	470	4.200	0.25
GSDR53P-561□	560	4.500	0.25
GSDR53P-102□	1000	6.950	0.22
GSDR53P-202□	2000	17.500	0.15
GSDR53P-302□	3000	27.140	0.12

- Measuring Freq. : 100KHz , 0.25V / Test Instrument : HP4284A
- L Value Tolerance : <1.0 uH = 30% ; 1.0~8.2uH = 20% ; 10uH~3000uH = 10% / 20%
- D.C. Current : Base on L drop 10% Max. & Temp. rise up 40 deg.C Max.

Product Series : GSDR	Brand : GOTREND
File Version : GSDR-SERIES-V7R6	Editor : Teddy Sun
Established Date : 2009.07.27	Description : SMD Ferrite DR Core Inductor
Latest Edit Date : 2020.10.30	Product Type : <input checked="" type="checkbox"/> Standard <input type="checkbox"/> Customize

GSDR54P-SERIES

Dimension [mm] :



Size	A+/-0.3	B+/-0.3	C+/-0.3	D[Ref.]	E[Ref.]	F[Ref.]	G[Ref.]
54	5.80	5.20	4.50	1.30	5.60	2.55	1.10

Electrical Characteristics :

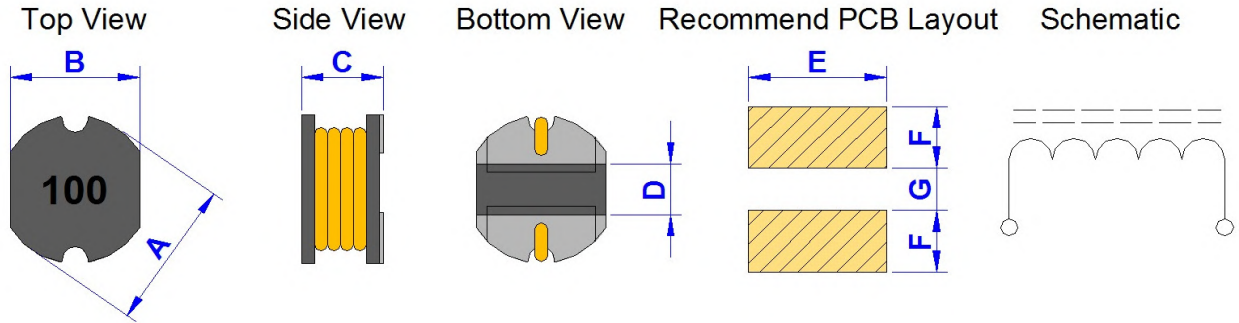
Part No.	L (uH)	DCR (ohm) (Max.)	D.C. Current (Amp) (Max.)
GSDR54P-R50□	0.5	7.15m	9.5
GSDR54P-1R0□	1.0	0.020	5.00
GSDR54P-1R5□	1.5	0.025	5.00
GSDR54P-1R8□	1.8	0.025	5.00
GSDR54P-2R2□	2.2	0.027	4.50
GSDR54P-2R7□	2.7	0.030	3.50
GSDR54P-3R3□	3.3	0.034	3.00
GSDR54P-3R6□	3.6	0.036	3.00
GSDR54P-4R7□	4.7	0.040	3.00
GSDR54P-6R8□	6.8	0.080	2.50
GSDR54P-8R2□	8.2	0.068	2.40
GSDR54P-100□	10	0.100	1.44
GSDR54P-120□	12	0.120	1.40
GSDR54P-150□	15	0.140	1.30
GSDR54P-180□	18	0.150	1.23
GSDR54P-220□	22	0.180	1.11
GSDR54P-270□	27	0.200	0.97
GSDR54P-330□	33	0.230	0.88
GSDR54P-390□	39	0.320	0.80
GSDR54P-470□	47	0.370	0.72
GSDR54P-560□	56	0.420	0.68
GSDR54P-680□	68	0.460	0.61
GSDR54P-820□	82	0.600	0.58
GSDR54P-101□	100	0.700	0.52
GSDR54P-121□	120	0.930	0.48
GSDR54P-151□	150	1.100	0.40

- Measuring Freq. : 100KHz , 0.25V / Test Instrument : HP4284A
- L Value Tolerance : <1.0 uH = 30% ; 1.0~8.2uH = 20% ; 10uH~1000uH = 10% / 20%
- D.C. Current : Base on L drop 10% Max. & Temp. rise up 40 deg.C Max.

Product Series : GSDR	Brand : GOTREND
File Version : GSDR-SERIES-V7R6	Editor : Teddy Sun
Established Date : 2009.07.27	Description : SMD Ferrite DR Core Inductor
Latest Edit Date : 2020.10.30	Product Type : <input checked="" type="checkbox"/> Standard <input type="checkbox"/> Customize

GSDR54P-SERIES

Dimension [mm] :



Size	A+/-0.3	B+/-0.3	C+/-0.3	D[Ref.]	E[Ref.]	F[Ref.]	G[Ref.]
54	5.80	5.20	4.50	1.30	5.60	2.55	1.10

Electrical Characteristics :

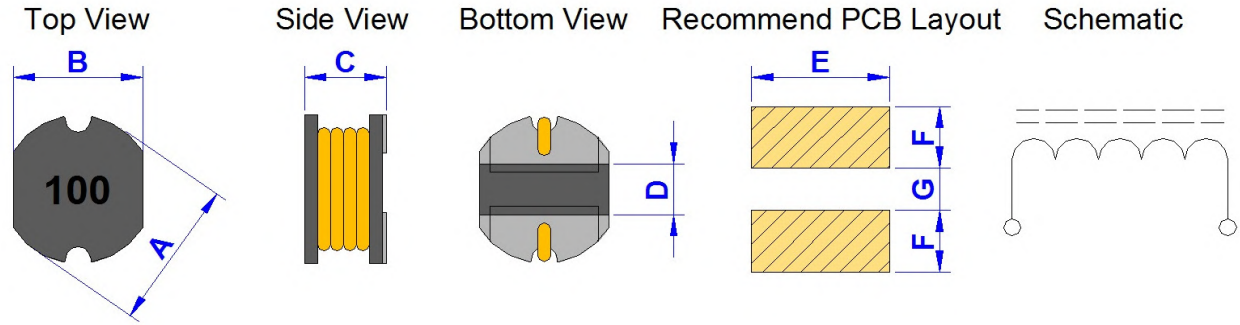
Part No.	L (uH)	DCR (ohm) (Max.)	D.C. Current (Amp) (Max.)
GSDR54P-181□	180	1.380	0.38
GSDR54P-221□	220	1.570	0.35
GSDR54P-331□	330	2.200	0.30
GSDR54P-471□	470	2.800	0.23
GSDR54P-561□	560	3.000	0.20
GSDR54P-681□	680	3.500	0.18
GSDR54P-102□	1000	6.240	0.15

- Measuring Freq. : 100KHz , 0.25V / Test Instrument : HP4284A
- L Value Tolerance : <1.0 uH = 30% ; 1.0~8.2uH = 20% ; 10uH~1000uH = 10% / 20%
- D.C. Current : Base on L drop 10% Max. & Temp. rise up 40 deg.C Max.

Product Series : GSDR	Brand : GOTREND
File Version : GSDR-SERIES-V7R6	Editor : Teddy Sun
Established Date : 2009.07.27	Description : SMD Ferrite DR Core Inductor
Latest Edit Date : 2020.10.30	Product Type : <input checked="" type="checkbox"/> Standard <input type="checkbox"/> Customize

GSDR73P-SERIES

Dimension [mm] :



Size	A+/-0.3	B+/-0.3	C+/-0.3	D[Ref.]	E[Ref.]	F[Ref.]	G[Ref.]
73	7.80	7.00	3.50	2.10	7.40	3.25	1.70

Electrical Characteristics :

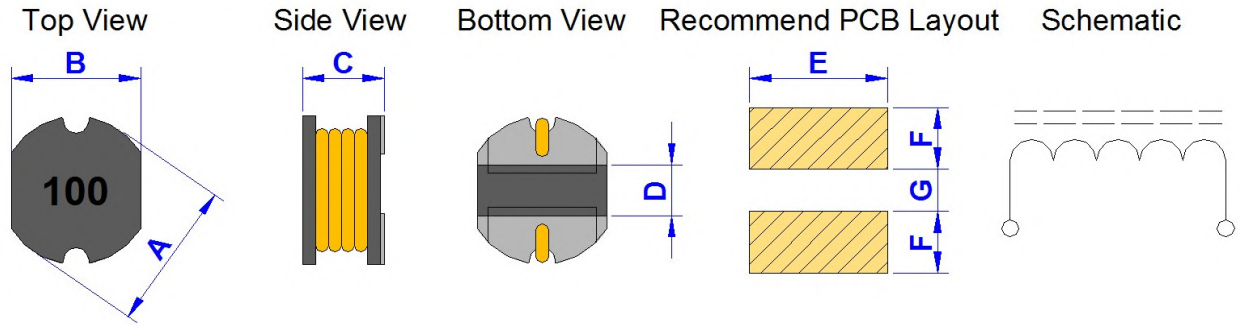
Part No.	L (uH)	DCR (ohm) (Max.)	D.C. Current (Amp) (Max.)
GSDR73P-1R0□	1.0	0.018	7.00
GSDR73P-1R5□	1.5	0.020	6.00
GSDR73P-2R2□	2.2	0.023	5.00
GSDR73P-3R3□	3.3	0.025	4.00
GSDR73P-4R7□	4.7	0.039	3.50
GSDR73P-6R8□	6.8	0.040	2.80
GSDR73P-100□	10	0.080	1.44
GSDR73P-120□	12	0.090	1.39
GSDR73P-150□	15	0.100	1.24
GSDR73P-180□	18	0.110	1.12
GSDR73P-220□	22	0.130	1.07
GSDR73P-270□	27	0.150	0.94
GSDR73P-330□	33	0.170	0.85
GSDR73P-390□	39	0.220	0.74
GSDR73P-470□	47	0.250	0.68
GSDR73P-560□	56	0.280	0.64
GSDR73P-680□	68	0.330	0.59
GSDR73P-820□	82	0.410	0.54
GSDR73P-101□	100	0.480	0.51
GSDR73P-121□	120	0.540	0.49
GSDR73P-151□	150	0.750	0.40
GSDR73P-181□	180	1.020	0.36
GSDR73P-221□	220	1.200	0.31
GSDR73P-271□	270	1.310	0.29
GSDR73P-331□	330	1.500	0.28

- Measuring Freq. : 100KHz , 0.25V / Test Instrument : HP4284A
- L Value Tolerance : <1.0 uH = 30% ; 1.0~8.2uH = 20% ; 10uH~330uH = 10% / 20%
- D.C. Current : Base on L drop 10% Max. & Temp. rise up 40 deg.C Max.

Product Series : GSDR	Brand : GOTREND
File Version : GSDR-SERIES-V7R6	Editor : Teddy Sun
Established Date : 2009.07.27	Description : SMD Ferrite DR Core Inductor
Latest Edit Date : 2020.10.30	Product Type : <input checked="" type="checkbox"/> Standard <input type="checkbox"/> Customize

GSDR75P-SERIES

Dimension [mm] :



Size	A+/-0.3	B+/-0.3	C+/-0.3	D[Ref.]	E[Ref.]	F[Ref.]	G[Ref.]
75	7.80	7.00	5.00	2.10	7.40	3.25	1.70

Electrical Characteristics :

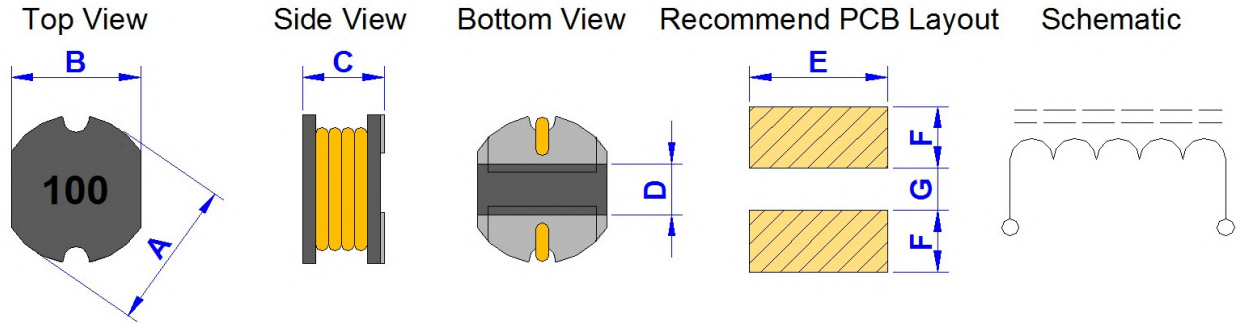
Part No.	L (uH)	DCR (ohm) (Max.)	D.C. Current (Amp) (Max.)
GSDR75P-1R0□	1.0	0.013	7.50
GSDR75P-1R2□	1.2	0.015	7.20
GSDR75P-1R5□	1.5	0.016	6.50
GSDR75P-1R8□	1.8	0.020	6.00
GSDR75P-2R2□	2.2	0.023	5.30
GSDR75P-3R3□	3.3	0.028	4.50
GSDR75P-3R9□	3.9	0.030	4.20
GSDR75P-4R7□	4.7	0.045	4.00
GSDR75P-5R6□	5.6	0.048	3.60
GSDR75P-6R8□	6.8	0.058	3.20
GSDR75P-8R2□	8.2	0.070	2.80
GSDR75P-100□	10	0.070	2.30
GSDR75P-120□	12	0.080	2.00
GSDR75P-150□	15	0.090	1.80
GSDR75P-180□	18	0.100	1.60
GSDR75P-220□	22	0.110	1.50
GSDR75P-270□	27	0.120	1.30
GSDR75P-330□	33	0.130	1.20
GSDR75P-390□	39	0.160	1.10
GSDR75P-470□	47	0.180	1.10
GSDR75P-560□	56	0.240	0.94
GSDR75P-680□	68	0.280	0.85
GSDR75P-820□	82	0.370	0.78
GSDR75P-101□	100	0.430	0.72
GSDR75P-121□	120	0.470	0.66
GSDR75P-151□	150	0.640	0.58

- Measuring Freq. : 100KHz , 0.25V / Test Instrument : HP4284A
- L Value Tolerance : <1.0 uH = 30% ; 1.0~8.2uH = 20% ; 10uH~5300uH = 10% / 20%
- D.C. Current : Base on L drop 10% Max. & Temp. rise up 40 deg.C Max.

Product Series : GSDR	Brand : GOTREND
File Version : GSDR-SERIES-V7R6	Editor : Teddy Sun
Established Date : 2009.07.27	Description : SMD Ferrite DR Core Inductor
Latest Edit Date : 2020.10.30	Product Type : <input checked="" type="checkbox"/> Standard <input type="checkbox"/> Customize

GSDR75P-SERIES

Dimension [mm] :



Size	A+/-0.3	B+/-0.3	C+/-0.3	D[Ref.]	E[Ref.]	F[Ref.]	G[Ref.]
75	7.80	7.00	5.00	2.10	7.40	3.25	1.70

Electrical Characteristics :

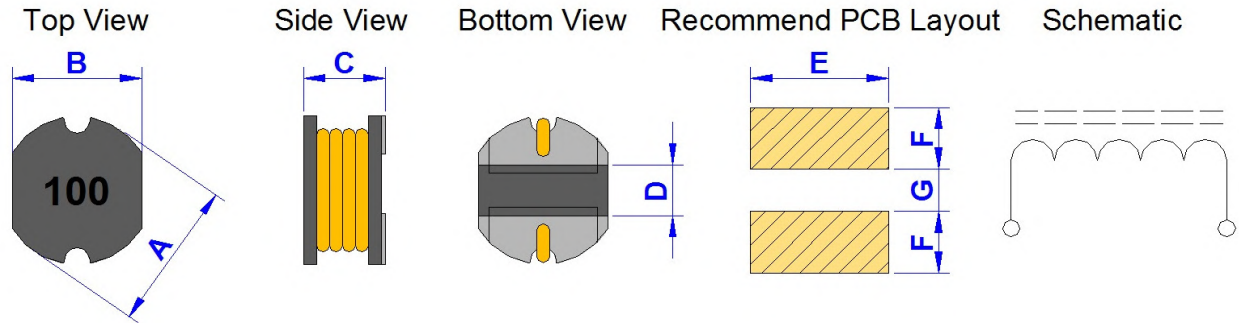
Part No.	L (uH)	DCR (ohm) (Max.)	D.C. Current (Amp) (Max.)
GSDR75P-181□	180	0.710	0.51
GSDR75P-221□	220	0.960	0.49
GSDR75P-271□	270	1.110	0.42
GSDR75P-331□	330	1.260	0.40
GSDR75P-391□	390	1.770	0.36
GSDR75P-471□	470	1.960	0.34
GSDR75P-681□	680	2.480	0.30
GSDR75P-821□	820	3.400	0.30
GSDR75P-102□	1000	5.000	0.17
GSDR75P-122□	1200	5.000	0.17
GSDR75P-152□	1500	5.520	0.16
GSDR75P-182□	1800	6.050	0.15
GSDR75P-202□	2000	7.280	0.14
GSDR75P-252□	2500	9.680	0.11
GSDR75P-302□	3000	13.200	0.10
GSDR75P-532□	5300	24.000	0.08

- Measuring Freq. : 100KHz , 0.25V / Test Instrument : HP4284A
- L Value Tolerance : <1.0 uH = 30% ; 1.0~8.2uH = 20% ; 10uH~5300uH = 10% / 20%
- D.C. Current : Base on L drop 10% Max. & Temp. rise up 40 deg.C Max.

Product Series : GSDR	Brand : GOTREND
File Version : GSDR-SERIES-V7R6	Editor : Teddy Sun
Established Date : 2009.07.27	Description : SMD Ferrite DR Core Inductor
Latest Edit Date : 2020.10.30	Product Type : <input checked="" type="checkbox"/> Standard <input type="checkbox"/> Customize

GSDR104P-SERIES

Dimension [mm] :



Size	A+/-0.3	B+/-0.3	C+/-0.3	D[Ref.]	E[Ref.]	F[Ref.]	G[Ref.]
104	10.00+/-0.4	9.00	4.20	2.10	9.60	4.45	1.70

Electrical Characteristics :

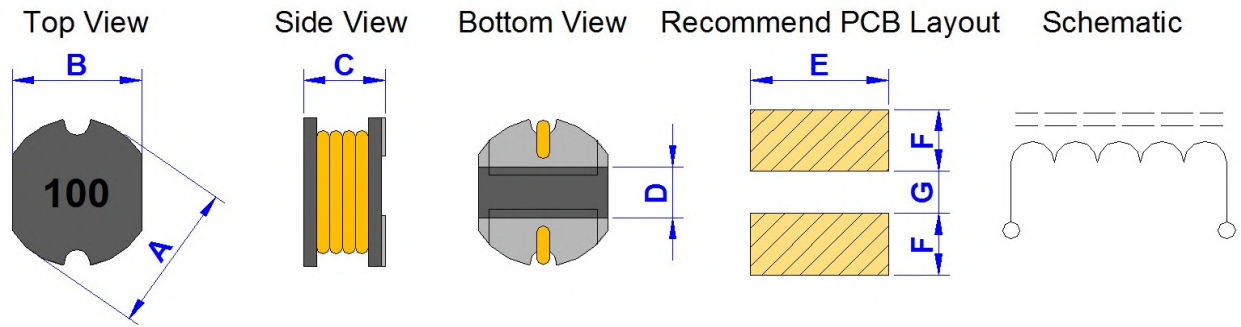
Part No.	L (uH)	DCR (ohm) (Max.)	D.C. Current (Amp) (Max.)
GSDR104P-1R0□	1.0	0.012	8.70
GSDR104P-1R2□	1.2	0.014	8.00
GSDR104P-1R4□	1.4	0.016	7.48
GSDR104P-1R5□	1.5	0.016	7.48
GSDR104P-1R8□	1.8	0.018	6.80
GSDR104P-2R2□	2.2	0.020	5.40
GSDR104P-2R7□	2.7	0.024	3.20
GSDR104P-3R3□	3.3	0.028	2.85
GSDR104P-3R9□	3.9	0.030	2.80
GSDR104P-4R7□	4.7	0.038	2.75
GSDR104P-5R6□	5.6	0.040	2.70
GSDR104P-6R8□	6.8	0.042	2.65
GSDR104P-8R2□	8.2	0.048	2.60
GSDR104P-100□	10	0.050	2.38
GSDR104P-120□	12	0.060	2.13
GSDR104P-150□	15	0.070	1.87
GSDR104P-180□	18	0.080	0.73
GSDR104P-220□	22	0.090	1.60
GSDR104P-270□	27	0.100	1.44
GSDR104P-330□	33	0.120	1.26
GSDR104P-390□	39	0.150	1.20
GSDR104P-470□	47	0.170	1.10
GSDR104P-560□	56	0.200	1.01
GSDR104P-680□	68	0.220	0.91
GSDR104P-820□	82	0.250	0.85
GSDR104P-101□	100	0.340	0.74

- Measuring Freq. : 100KHz , 0.25V / Test Instrument : HP4284A
- L Value Tolerance : <1.0 uH = 30% ; 1.0~8.2uH = 20% ; 10uH~560uH = 10% / 20%
- D.C. Current : Base on L drop 10% Max. & Temp. rise up 40 deg.C Max.

Product Series : GSDR	Brand : GOTREND
File Version : GSDR-SERIES-V7R6	Editor : Teddy Sun
Established Date : 2009.07.27	Description : SMD Ferrite DR Core Inductor
Latest Edit Date : 2020.10.30	Product Type : <input checked="" type="checkbox"/> Standard <input type="checkbox"/> Customize

GSDR104P-SERIES

Dimension [mm] :



Size	A+/-0.3	B+/-0.3	C+/-0.3	D[Ref.]	E[Ref.]	F[Ref.]	G[Ref.]
104	10.00+/-0.4	9.00	4.20	2.10	9.60	4.45	1.70

Electrical Characteristics :

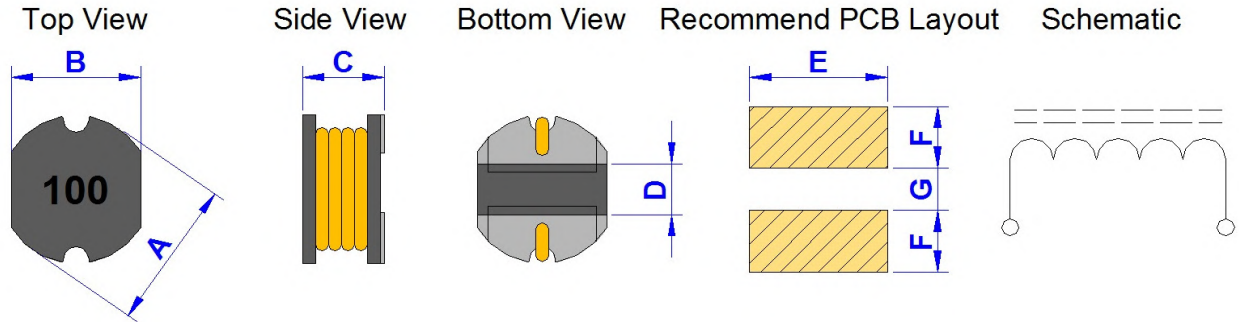
Part No.	L (uH)	DCR (ohm) (Max.)	D.C. Current (Amp) (Max.)
GSDR104P-121□	120	0.400	0.69
GSDR104P-151□	150	0.540	0.61
GSDR104P-181□	180	0.620	0.56
GSDR104P-221□	220	0.720	0.53
GSDR104P-271□	270	0.950	0.45
GSDR104P-331□	330	1.100	0.42
GSDR104P-391□	390	1.240	0.38
GSDR104P-471□	470	1.530	0.35
GSDR104P-561□	560	1.900	0.32

- Measuring Freq. : 100KHz , 0.25V / Test Instrument : HP4284A
- L Value Tolerance : <1.0 uH = 30% ; 1.0~8.2uH = 20% ; 10uH~560uH = 10% / 20%
- D.C. Current : Base on L drop 10% Max. & Temp. rise up 40 deg.C Max.

Product Series : GSDR	Brand : GOTREND
File Version : GSDR-SERIES-V7R6	Editor : Teddy Sun
Established Date : 2009.07.27	Description : SMD Ferrite DR Core Inductor
Latest Edit Date : 2020.10.30	Product Type : <input checked="" type="checkbox"/> Standard <input type="checkbox"/> Customize

GSDR105P-SERIES

Dimension [mm] :



Size	A+/-0.3	B+/-0.3	C+/-0.3	D[Ref.]	E[Ref.]	F[Ref.]	G[Ref.]
105	10.00+/-0.4	9.00	5.50	2.50	9.60	4.25	2.10

Electrical Characteristics :

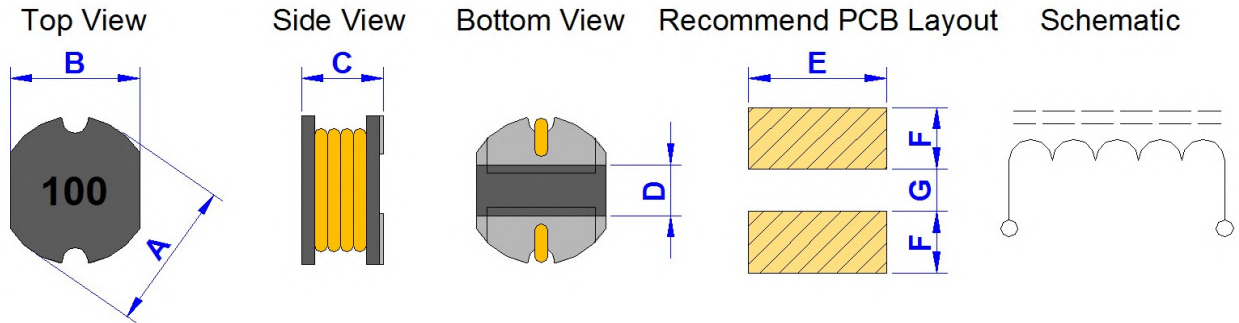
Part No.	L (uH)	DCR (ohm) (Max.)	D.C. Current (Amp) (Max.)
GSDR105P-1R2□	1.2	0.009	8.63
GSDR105P-1R5□	1.5	0.012	8.00
GSDR105P-2R2□	2.2	0.016	7.20
GSDR105P-3R3□	3.3	0.018	6.50
GSDR105P-4R7□	4.7	0.020	5.50
GSDR105P-6R8□	6.8	0.040	4.50
GSDR105P-100□	10	0.060	2.60
GSDR105P-120□	12	0.070	1.94
GSDR105P-150□	15	0.070	1.72
GSDR105P-180□	18	0.080	1.58
GSDR105P-220□	22	0.080	1.42
GSDR105P-270□	27	0.100	1.32
GSDR105P-330□	33	0.110	1.16
GSDR105P-390□	39	0.120	1.10
GSDR105P-470□	47	0.140	1.00
GSDR105P-560□	56	0.190	0.93
GSDR105P-680□	68	0.210	0.85
GSDR105P-820□	82	0.280	0.79
GSDR105P-101□	100	0.340	0.72
GSDR105P-121□	120	0.370	0.63
GSDR105P-151□	150	0.510	0.55
GSDR105P-181□	180	0.570	0.50
GSDR105P-221□	220	0.780	0.47
GSDR105P-271□	270	0.870	0.41
GSDR105P-331□	330	1.200	0.37
GSDR105P-391□	390	1.340	0.35

- Measuring Freq. : 100KHz , 0.25V / Test Instrument : HP4284A
- L Value Tolerance : <1.0 uH = 30% ; 1.0~8.2uH = 20% ; 10uH~10000uH = 10% / 20%
- D.C. Current : Base on L drop 10% Max. & Temp. rise up 40 deg.C Max.

Product Series : GSDR	Brand : GOTREND
File Version : GSDR-SERIES-V7R6	Editor : Teddy Sun
Established Date : 2009.07.27	Description : SMD Ferrite DR Core Inductor
Latest Edit Date : 2020.10.30	Product Type : <input checked="" type="checkbox"/> Standard <input type="checkbox"/> Customize

GSDR105P-SERIES

Dimension [mm] :



Size	A+/-0.3	B+/-0.3	C+/-0.3	D[Ref.]	E[Ref.]	F[Ref.]	G[Ref.]
105	10.00+/-0.4	9.00	5.50	2.50	9.60	4.25	2.10

Electrical Characteristics :

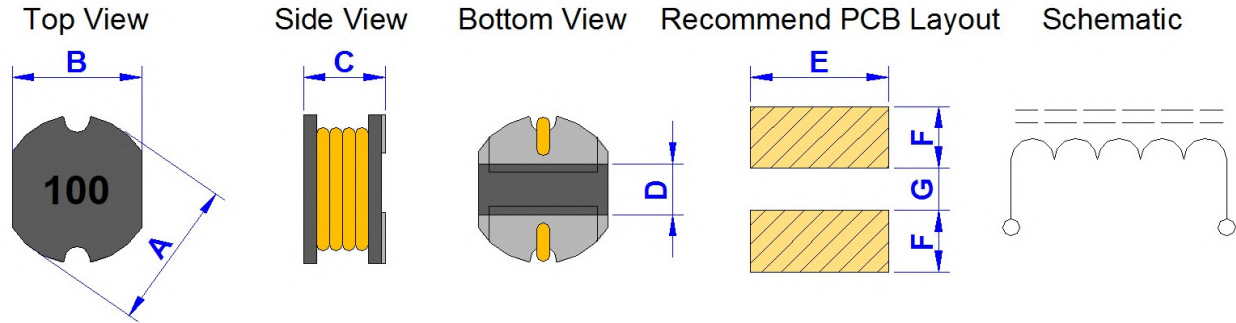
Part No.	L (uH)	DCR (ohm) (Max.)	D.C. Current (Amp) (Max.)
GSDR105P-471□	470	1.500	0.33
GSDR105P-561□	560	1.900	0.33
GSDR105P-681□	680	2.250	0.28
GSDR105P-821□	820	2.550	0.24
GSDR105P-103□	10000	31.000	0.15

- Measuring Freq. : 100KHz , 0.25V / Test Instrument : HP4284A
- L Value Tolerance : <1.0 uH = 30% ; 1.0~8.2uH = 20% ; 10uH~10000uH = 10% / 20%
- D.C. Current : Base on L drop 10% Max. & Temp. rise up 40 deg.C Max.

Product Series : GSDR	Brand : GOTREND
File Version : GSDR-SERIES-V7R6	Editor : Teddy Sun
Established Date : 2009.07.27	Description : SMD Ferrite DR Core Inductor
Latest Edit Date : 2020.10.30	Product Type : <input checked="" type="checkbox"/> Standard <input type="checkbox"/> Customize

GSDR107P-SERIES

Dimension [mm] :



Size	A+/-0.3	B+/-0.3	C+/-0.3	D[Ref.]	E[Ref.]	F[Ref.]	G[Ref.]
107	10.00+/-0.4	9.00	7.50 [Max.]	2.10	9.60	4.45	1.70

Electrical Characteristics :

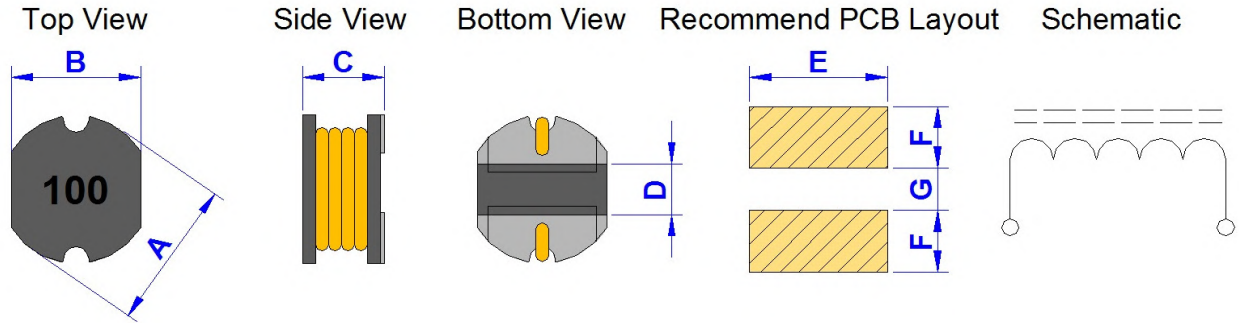
Part No.	L (uH)	DCR (ohm) (Max.)	D.C. Current (Amp) (Max.)
GSDR107P-1R0□	1.0	0.008	9.50
GSDR107P-1R8□	1.8	0.011	8.60
GSDR107P-2R2□	2.2	0.012	8.00
GSDR107P-3R3□	3.3	0.016	6.80
GSDR107P-3R9□	3.9	0.017	6.35
GSDR107P-4R7□	4.7	0.019	5.45
GSDR107P-5R6□	5.6	0.024	4.30
GSDR107P-6R8□	6.8	0.035	3.52
GSDR107P-8R2□	8.2	0.045	3.51
GSDR107P-100□	10	0.060	3.50
GSDR107P-120□	12	0.070	3.40
GSDR107P-150□	15	0.080	3.10
GSDR107P-180□	18	0.090	3.00
GSDR107P-220□	22	0.100	2.60
GSDR107P-270□	27	0.110	2.40
GSDR107P-330□	33	0.120	2.30
GSDR107P-390□	39	0.140	2.10
GSDR107P-470□	47	0.170	1.95
GSDR107P-560□	56	0.190	1.85
GSDR107P-680□	68	0.220	1.65
GSDR107P-820□	82	0.250	1.50
GSDR107P-101□	100	0.350	1.40
GSDR107P-121□	120	0.400	1.30
GSDR107P-151□	150	0.470	1.20
GSDR107P-181□	180	0.630	1.00
GSDR107P-221□	220	0.730	0.95

- Measuring Freq. : 100KHz , 0.25V / Test Instrument : HP4284A
- L Value Tolerance : <1.0 uH = 30% ; 1.0~8.2uH = 20% ; 10uH~15000uH = 10% / 20%
- D.C. Current : Base on L drop 10% Max. & Temp. rise up 40 deg.C Max.

Product Series : GSDR	Brand : GOTREND
File Version : GSDR-SERIES-V7R6	Editor : Teddy Sun
Established Date : 2009.07.27	Description : SMD Ferrite DR Core Inductor
Latest Edit Date : 2020.10.30	Product Type : <input checked="" type="checkbox"/> Standard <input type="checkbox"/> Customize

GSDR107P-SERIES

Dimension [mm] :



Size	A+/-0.3	B+/-0.3	C+/-0.3	D[Ref.]	E[Ref.]	F[Ref.]	G[Ref.]
107	10.00+/-0.4	9.00	7.50 [Max.]	2.10	9.60	4.45	1.70

Electrical Characteristics :

Part No.	L (uH)	DCR (ohm) (Max.)	D.C. Current (Amp) (Max.)
GSDR107P-271□	270	0.970	0.90
GSDR107P-331□	330	1.150	0.80
GSDR107P-391□	390	1.300	0.75
GSDR107P-471□	470	1.480	0.65
GSDR107P-531□	530	1.700	0.62
GSDR107P-561□	560	1.900	0.60
GSDR107P-681□	680	2.250	0.50
GSDR107P-821□	820	2.550	0.48
GSDR107P-102□	1000	3.000	0.46
GSDR107P-122□	1200	3.500	0.35
GSDR107P-153□	15000	41.000	0.12

- Measuring Freq. : 100KHz , 0.25V / Test Instrument : HP4284A
- L Value Tolerance : <1.0 uH = 30% ; 1.0~8.2uH = 20% ; 10uH~15000uH = 10% / 20%
- D.C. Current : Base on L drop 10% Max. & Temp. rise up 40 deg.C Max.

Product Series : GSDRT	Brand : GOTREND
File Version : GSDRT-V2R1	Editor : Teddy Sun
Established Date : 2009.08.18	Description : SMD Ferrite DR Core Inductor
Latest Edit Date : 2020.10.30	Product Type : <input checked="" type="checkbox"/> Standard <input type="checkbox"/> Customize

Features & Application :

- * SMD Drum Choke for power line / signal line of various size
- * Low Profile even 2.6x2.8x1.1 mm and low cost
- * To help you go pass the CE/FCC standard.
- * Mobile Device / Handheld Device / LowProfile Device / Panel...



(Picture for reference only)

Part No. Example :

GSDRT	5412	P	-	6R8M	M
-----	-----	---		-----	----
1	2	3		4	5

1. GOTREND Series : GSDRT
2. Dimension Code : 5.6X5.6X1.2 mm
3. P = Pb free < 1000ppm
4. [L] Value Ex : 6R8 = 6.8uH
5. Tolerance : M = 20%

Basic Information :

Made in	China
Pin Foot	SMD
Shielding	No
J-STD-020	MSL Level 1
RoHS	Compliant
REACH	Compliant
Halogen	Free

Operating & Storage Condition :

- * Operating Temp -40 ~ +125 deg.C (Including self - temperature rise)
- * Storage Temp 1. -10 ~ +45 deg.C , 50 ~ 60% RH (Product with taping)
2. -40 ~ +125 deg.C (On board)
- * Storage Life Time 12 Month (Less than 40 deg.C and 60% RH)

Attention & Caution :

- * Keep out of Splashing water or salt water
- * Avoid Toxic Gas (Hydrogen sulfide, Sulfurous acid, Chlorine, Ammonia)
- * Avoid Vibrations or shocks which exceed the specified condition
- * Avoid Dew condense
- * Avoid Layout near the edge of PCB
- * Avoid Over flexure after SMT mounting & PCBA



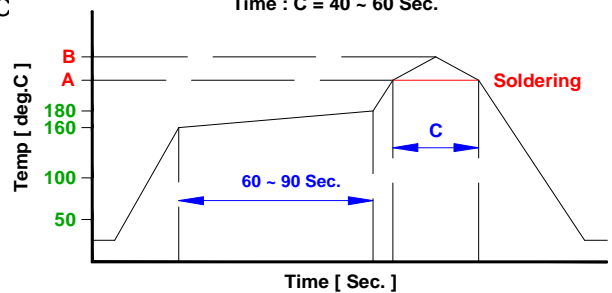
- * Pin foot or SMD pad solderability: Pb free type is best within 6 months after delivery
- * Humidity sensitive , IPC/JEDEC J-STD-020 MSL if over Level 1, recommend bake 30mins@150 degree before PCBA
- * Caution for human life relative applications : PLS contact & consult with GOTREND team in design stage.

Test Condition :

- * Equipment HP4284A , HP42841A - L , Q , DCR , IDC
HP8753D Network analyzer - SRF
- * Standard Atmosphere Conditions:
Ambient Temperature 20 ± 15 deg.C
Humidity RH 65 ± 20%
- * If there may be any doubt on the test result ,
Measurement shall be made within the following limits:
Ambient Temperature 25 ± 5 deg.C
Humidity RH 75 ± 10%

Recommend IR Reflow Curve : GTX-IR-FILE001

Lead Free Solder : A = 217 deg.C , B = 245+/-5 deg.C
Time : C = 40 ~ 60 Sec.

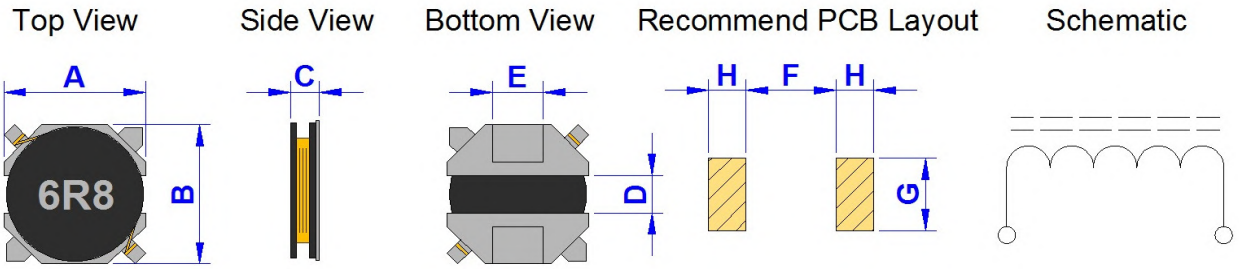


**Notice : Iron Soldering , Solder < 30 Watt ,
Direct touch the terminal x 3 Sec. Max. @ 350 deg.C**

Product Series : GSDRT	Brand : GOTREND
File Version : GSDRT-V2R1	Editor : Teddy Sun
Established Date : 2009.08.18	Description : SMD Ferrite DR Core Inductor
Latest Edit Date : 2020.10.30	Product Type : <input checked="" type="checkbox"/> Standard <input type="checkbox"/> Customize

GSDRT2610P-SERIES

Dimension [mm] :



A+/-0.2	B+/-0.2	C [Max.]	D [Ref.]	E [Ref.]	F [Ref.]	G [Ref.]	H [Ref.]
2.60	2.80	1.00	0.50	0.80	1.00	1.20	1.20

Electrical Characteristics :

Part NO.	Inductance (uH)	Tolerance(± %)	Isat (A) Max.	Irms (A) Max.	DC Resistance (ohm) Max.	L -Test Freq. (KHz)	Marking
GSDRT2610P-1R0N	1.00	30%	1.40	1.55	0.110	0.1V / 100	A
GSDRT2610P-2R2M	2.20	20%	1.00	1.28	0.215	0.1V / 100	D
GSDRT2610P-3R3M	3.30	20%	0.85	0.98	0.263	0.1V / 100	F
GSDRT2610P-4R7M	4.70	20%	0.70	0.86	0.338	0.1V / 100	H
GSDRT2610P-6R8M	6.80	20%	0.61	0.73	0.544	0.1V / 100	J
GSDRT2610P-100M	10.00	20%	0.45	0.52	0.800	0.1V / 100	L
GSDRT2610P-150M	15.00	20%	0.40	0.43	1.028	0.1V / 100	N
GSDRT2610P-220M	22.00	20%	0.33	0.32	1.813	0.1V / 100	O
GSDRT2610P-270M	27.00	20%	0.28	0.29	1.604	0.1V / 100	Y
GSDRT2610P-330M	33.00	20%	0.23	0.28	1.798	0.1V / 100	P

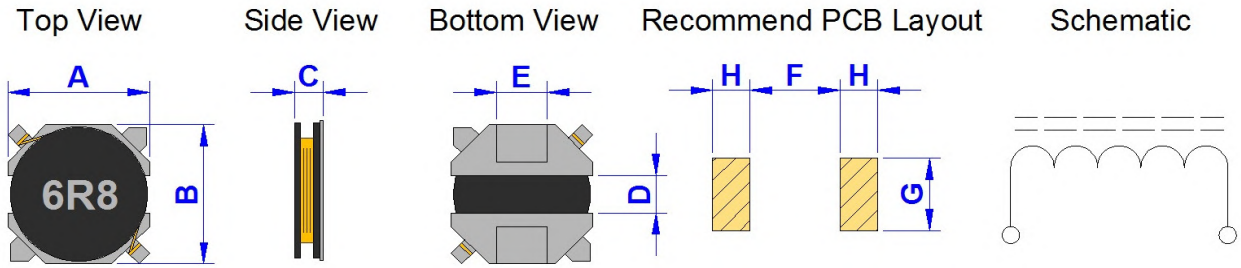
* Isat = Current loading caused L value drop approximately 10%

* Iirms =Current loading caused the parts Temperature rise about 40deg.C

Product Series : GSDRT	Brand : GOTREND
File Version : GSDRT-V2R1	Editor : Teddy Sun
Established Date : 2009.08.18	Description : SMD Ferrite DR Core Inductor
Latest Edit Date : 2020.10.30	Product Type : <input checked="" type="checkbox"/> Standard <input type="checkbox"/> Customize

GSDRT2810P-SERIES

Dimension [mm] :



A+/-0.2	B+/-0.2	C [Max.]	D [Ref.]	E [Ref.]	F [Ref.]	G [Ref.]	H [Ref.]
3.00	3.00	1.00	0.75	0.90	1.00	1.20	1.20

Electrical Characteristics :

Part NO.	Inductance (uH)	Tolerance(± %)	Isat (A) Max.	Irms (A) Max.	DC Resistance (ohm) Max.	L -Test Freq. (KHz)	Marking
GSDRT2810P-R68N	0.68	30%	1.70	1.90	0.047	0.1V / 100	A
GSDRT2810P-1R0N	1.00	30%	1.15	2.00	0.073	0.1V / 100	A
GSDRT2810P-1R5N	1.50	30%	1.00	1.70	0.088	0.1V / 100	B
GSDRT2810P-2R2N	2.20	30%	0.80	1.32	0.132	0.1V / 100	D
GSDRT2810P-3R3N	3.30	30%	0.65	1.05	0.252	0.1V / 100	F
GSDRT2810P-4R7N	4.70	30%	0.53	0.87	0.288	0.1V / 100	H
GSDRT2810P-5R6N	5.60	30%	0.50	0.75	0.261	0.1V / 100	I
GSDRT2810P-6R8N	6.80	30%	0.45	0.83	0.348	0.1V / 100	J
GSDRT2810P-100M	10.00	20%	0.39	0.67	0.576	0.1V / 100	L
GSDRT2810P-120M	12.00	20%	0.38	0.50	0.565	0.1V / 100	M
GSDRT2810P-150M	15.00	20%	0.32	0.49	0.852	0.1V / 100	N
GSDRT2810P-220M	22.00	20%	0.27	0.38	1.440	0.1V / 100	O
GSDRT2810P-330M	33.00	20%	0.23	0.29	1.530	0.1V / 100	P
GSDRT2810P-470M	47.00	20%	0.20	0.25	2.000	0.1V / 100	Q

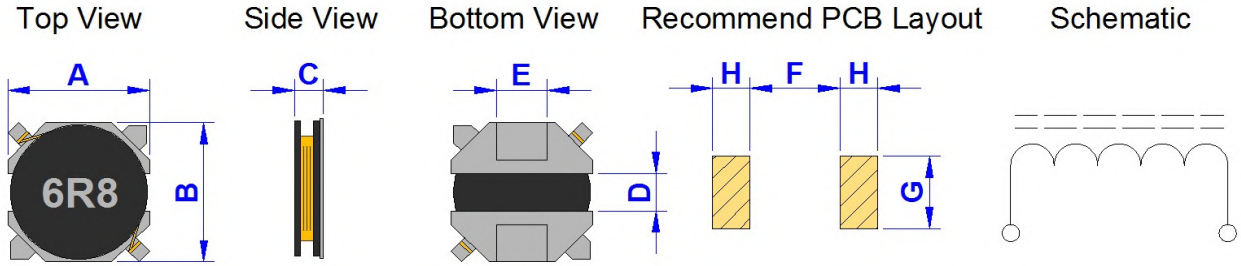
* Isat = Current loading caused L value drop approximately 10%

* Irms =Current loading caused the parts Temperature rise about 40deg.C

Product Series : GSDRT	Brand : GOTREND
File Version : GSDRT-V2R1	Editor : Teddy Sun
Established Date : 2009.08.18	Description : SMD Ferrite DR Core Inductor
Latest Edit Date : 2020.10.30	Product Type : <input checked="" type="checkbox"/> Standard <input type="checkbox"/> Customize

GSDRT3014P-SERIES

Dimension [mm] :



A+/-0.3	B+/-0.3	C [Max.]	D [Ref.]	E [Ref.]	F [Ref.]	G [Ref.]	H [Ref.]
3.20	3.20	1.40	0.70	1.00	1.40	1.40	1.20

Electrical Characteristics :

Part NO.	Inductance (uH)	Tolerance(± %)	Isat (A) Max.	Irms (A) Max.	DC Resistance (ohm) Max.	L -Test Freq. (KHz)	Marking
GSDRT3014P-1R0M	1.00	20%	2.10	1.70	0.106	0.1V / 100	A
GSDRT3014P-1R5M	1.50	20%	2.00	1.40	0.144	0.1V / 100	B
GSDRT3014P-2R2M	2.20	20%	1.60	1.30	0.184	0.1V / 100	D
GSDRT3014P-3R3M	3.30	20%	1.40	1.20	0.232	0.1V / 100	F
GSDRT3014P-4R7M	4.70	20%	1.20	0.90	0.348	0.1V / 100	H
GSDRT3014P-6R8M	6.80	20%	0.92	0.80	0.427	0.1V / 100	J
GSDRT3014P-8R2M	8.20	20%	0.90	0.65	0.594	0.1V / 100	K
GSDRT3014P-100M	10.00	20%	0.80	0.60	0.656	0.1V / 100	L
GSDRT3014P-150M	15.00	20%	0.68	0.55	0.835	0.1V / 100	N
GSDRT3014P-220M	22.00	20%	0.56	0.45	1.130	0.1V / 100	O
GSDRT3014P-330M	33.00	20%	0.51	0.40	1.517	0.1V / 100	P
GSDRT3014P-470M	47.00	20%	0.40	0.34	2.000	0.1V / 100	Q
GSDRT3014P-101M	100.00	20%	0.28	0.20	4.850	0.1V / 100	S

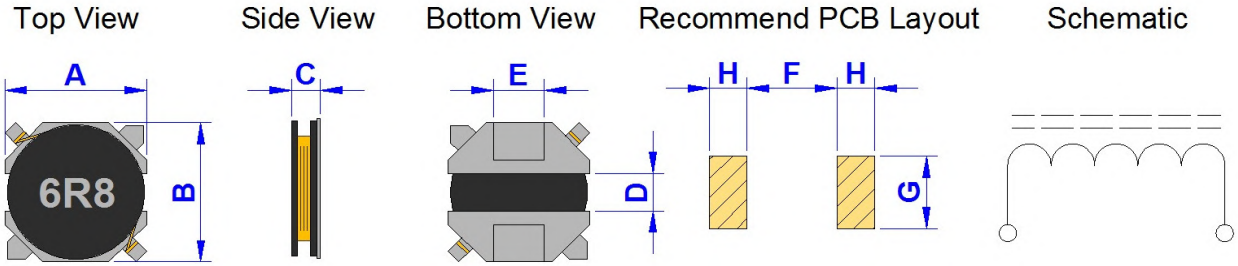
* Isat = Current loading caused L value drop approximately 10%

* Irms =Current loading caused the parts Temperature rise about 40deg.C

Product Series : GSDRT	Brand : GOTREND
File Version : GSDRT-V2R1	Editor : Teddy Sun
Established Date : 2009.08.18	Description : SMD Ferrite DR Core Inductor
Latest Edit Date : 2020.10.30	Product Type : <input checked="" type="checkbox"/> Standard <input type="checkbox"/> Customize

GSDRT3512P-SERIES

Dimension [mm] :



A+/-0.3	B+/-0.3	C [Max.]	D [Ref.]	E [Ref.]	F [Ref.]	G [Ref.]	H [Ref.]
3.70	3.70	1.20	0.70	1.00	1.00	1.20	1.45

Electrical Characteristics :

Part NO.	Inductance (uH)	Tolerance(± %)	Isat (A) Max.	Irms (A) Max.	DC Resistance (ohm) Max.	L -Test Freq. (KHz)
GSDRT3512P-2R2M	2.20	20%	1.00	1.65	0.114	0.1V / 100
GSDRT3512P-3R3M	3.30	20%	0.90	1.45	0.169	0.1V / 100
GSDRT3512P-4R7M	4.70	20%	0.80	1.11	0.238	0.1V / 100
GSDRT3512P-5R6M	5.60	20%	0.78	0.98	0.265	0.1V / 100
GSDRT3512P-6R8M	6.80	20%	0.70	0.93	0.313	0.1V / 100
GSDRT3512P-100M	10.00	20%	0.55	0.75	0.454	0.1V / 100
GSDRT3512P-150M	15.00	20%	0.50	0.59	0.715	0.1V / 100
GSDRT3512P-220M	22.00	20%	0.40	0.54	0.899	0.1V / 100
GSDRT3512P-470M	47.00	20%	0.20	0.35	2.116	0.1V / 100
GSDRT3512P-101M	100.00	20%	0.22	0.24	3.837	0.1V / 100
GSDRT3512P-221M	220.00	20%	0.13	0.15	8.633	0.1V / 100

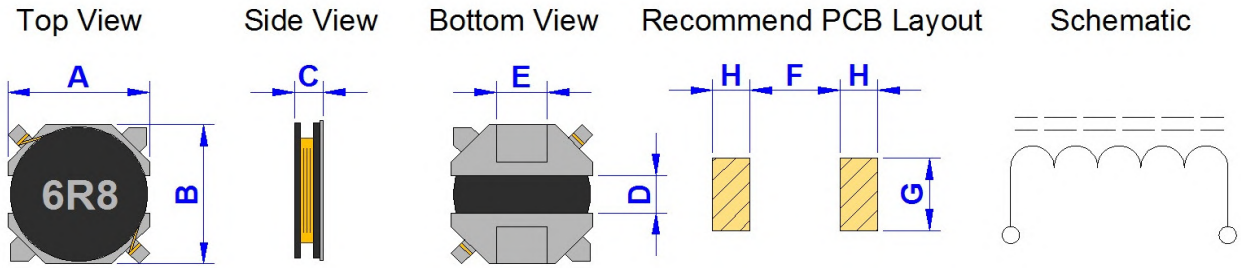
* Isat = Current loading caused L value drop approximately 10%

* Iirms =Current loading caused the parts Temperature rise about 40deg.C

Product Series : GSDRT	Brand : GOTREND
File Version : GSDRT-V2R1	Editor : Teddy Sun
Established Date : 2009.08.18	Description : SMD Ferrite DR Core Inductor
Latest Edit Date : 2020.10.30	Product Type : <input checked="" type="checkbox"/> Standard <input type="checkbox"/> Customize

GSDRT3515P-SERIES

Dimension [mm] :



A+/-0.3	B+/-0.3	C [Max.]	D [Ref.]	E [Ref.]	F [Ref.]	G [Ref.]	H [Ref.]
3.70	3.70	1.50	0.70	1.00	1.00	1.20	1.45

Electrical Characteristics :

Part NO.	Inductance (uH)	Tolerance(± %)	Isat (A) Max.	Irms (A) Max.	DC Resistance (ohm) Max.	L -Test Freq. (KHz)
GSDRT3515P-2R2M	2.20	20%	1.90	1.90	0.086	0.1V / 100
GSDRT3515P-3R3M	3.30	20%	1.70	1.70	0.118	0.1V / 100
GSDRT3515P-4R7M	4.70	20%	1.40	1.35	0.178	0.1V / 100
GSDRT3515P-5R6M	5.60	20%	1.30	1.00	0.195	0.1V / 100
GSDRT3515P-6R8M	6.80	20%	1.20	0.96	0.242	0.1V / 100
GSDRT3515P-100M	10.00	20%	0.90	0.88	0.343	0.1V / 100
GSDRT3515P-150M	15.00	20%	0.70	0.70	0.503	0.1V / 100
GSDRT3515P-220M	22.00	20%	0.60	0.60	0.746	0.1V / 100
GSDRT3515P-330M	33.00	20%	0.50	0.47	1.176	0.1V / 100
GSDRT3515P-470M	47.00	20%	0.40	0.38	1.747	0.1V / 100
GSDRT3515P-221M	220.00	20%	0.21	0.18	7.502	0.1V / 100

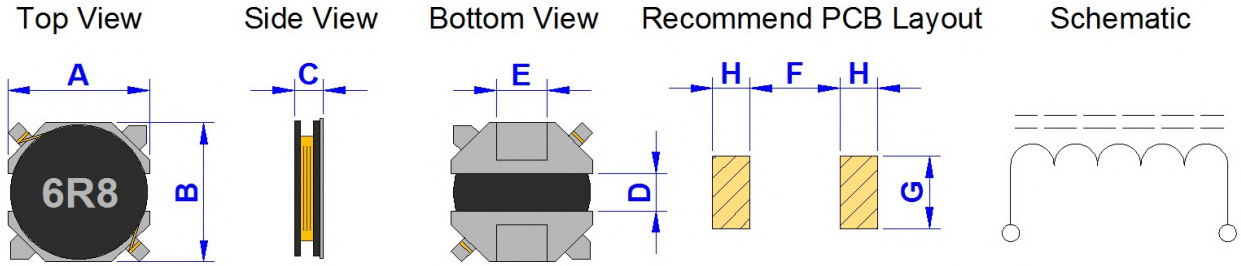
* Isat = Current loading caused L value drop approximately 10%

* Iirms =Current loading caused the parts Temperature rise about 40deg.C

Product Series : GSDRT	Brand : GOTREND
File Version : GSDRT-V2R1	Editor : Teddy Sun
Established Date : 2009.08.18	Description : SMD Ferrite DR Core Inductor
Latest Edit Date : 2020.10.30	Product Type : <input checked="" type="checkbox"/> Standard <input type="checkbox"/> Customize

GSDRT3518P-SERIES

Dimension [mm] :



A+/-0.3	B+/-0.3	C [Max.]	D [Ref.]	E [Ref.]	F [Ref.]	G [Ref.]	H [Ref.]
3.70	3.70	1.80	0.70	1.00	1.00	1.20	1.45

Electrical Characteristics :

Part NO.	Inductance (uH)	Tolerance(± %)	Isat (A) Max.	Irms (A) Max.	DC Resistance (ohm) Max.	L -Test Freq. (KHz)
GSDRT3518P-1R0N	1.00	30%	2.80	3.00	0.035	0.1V / 100
GSDRT3518P-2R2M	2.20	20%	1.95	2.15	0.062	0.1V / 100
GSDRT3518P-3R3M	3.30	20%	1.53	1.74	0.094	0.1V / 100
GSDRT3518P-4R7M	4.70	20%	1.40	1.63	0.126	0.1V / 100
GSDRT3518P-6R8M	6.80	20%	1.13	1.35	0.187	0.1V / 100
GSDRT3518P-8R2M	8.20	20%	0.80	1.16	0.179	0.1V / 100
GSDRT3518P-100M	10.00	20%	0.90	1.02	0.289	0.1V / 100
GSDRT3518P-150M	15.00	20%	0.75	0.80	0.402	0.1V / 100
GSDRT3518P-220M	22.00	20%	0.65	0.69	0.540	0.1V / 100
GSDRT3518P-330M	33.00	20%	0.50	0.48	0.888	0.1V / 100
GSDRT3518P-470M	47.00	20%	0.38	0.46	1.129	0.1V / 100
GSDRT3518P-101M	100.00	20%	0.25	0.34	1.856	0.1V / 100
GSDRT3518P-221M	220.00	20%	0.16	0.20	5.322	0.1V / 100

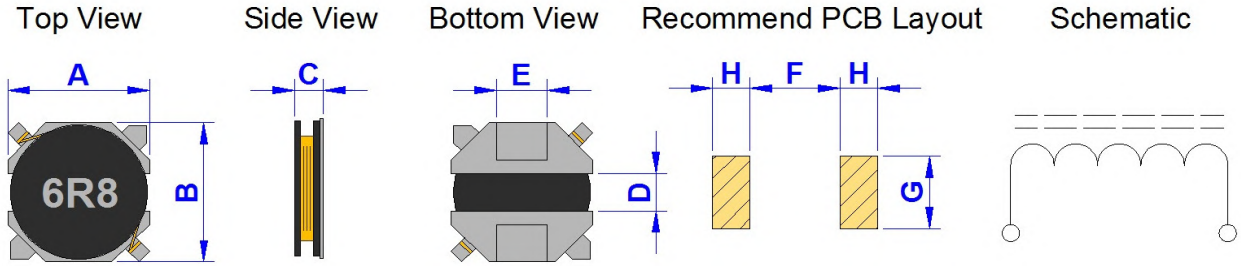
* Isat = Current loading caused L value drop approximately 10%

* Iirms =Current loading caused the parts Temperature rise about 40deg.C

Product Series : GSDRT	Brand : GOTREND
File Version : GSDRT-V2R1	Editor : Teddy Sun
Established Date : 2009.08.18	Description : SMD Ferrite DR Core Inductor
Latest Edit Date : 2020.10.30	Product Type : <input checked="" type="checkbox"/> Standard <input type="checkbox"/> Customize

GSDRT5410P-SERIES

Dimension [mm] :



A+/-0.3	B+/-0.3	C [Max.]	D [Ref.]	E [Ref.]	F [Ref.]	G [Ref.]	H [Ref.]
5.60	5.60	1.05	1.50	1.80	2.50	2.50	1.75

Electrical Characteristics :

Part NO.	Inductance (uH)	Tolerance(± %)	Isat (A) Max.	Irms (A) Max.	DC Resistance (ohm) Max.	L -Test Freq. (KHz)
GSDRT5410P-3R3M	3.30	20%	1.30	1.65	0.150	0.1V / 100
GSDRT5410P-4R7M	4.70	20%	1.10	1.31	0.196	0.1V / 100
GSDRT5410P-6R8M	6.80	20%	0.90	1.08	0.275	0.1V / 100
GSDRT5410P-100M	10.00	20%	0.80	0.86	0.404	0.1V / 100
GSDRT5410P-150M	15.00	20%	0.65	0.72	0.587	0.1V / 100
GSDRT5410P-220M	22.00	20%	0.52	0.65	0.881	0.1V / 100
GSDRT5410P-330M	33.00	20%	0.42	0.54	1.266	0.1V / 100
GSDRT5410P-470M	47.00	20%	0.36	0.43	1.807	0.1V / 100

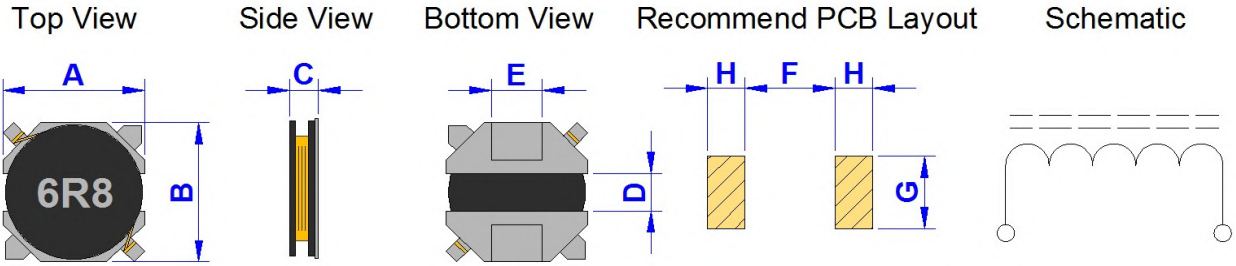
* Isat = Current loading caused L value drop approximately 10%

* Iirms =Current loading caused the parts Temperature rise about 40deg.C

Product Series : GSDRT	Brand : GOTREND
File Version : GSDRT-V2R1	Editor : Teddy Sun
Established Date : 2009.08.18	Description : SMD Ferrite DR Core Inductor
Latest Edit Date : 2020.10.30	Product Type : <input checked="" type="checkbox"/> Standard <input type="checkbox"/> Customize

GSDRT5412P-SERIES

Dimension [mm] :



A+/-0.3	B+/-0.3	C [Max.]	D [Ref.]	E [Ref.]	F [Ref.]	G [Ref.]	H [Ref.]
5.60	5.60	1.20	1.50	1.80	2.50	2.50	1.75

Electrical Characteristics :

Part NO.	Inductance (uH)	Tolerance(± %)	Isat (A) Max.	Irms (A) Max.	DC Resistance (ohm) Max.	L -Test Freq. (KHz)
GSDRT5412P-2R2M	2.20	20%	1.40	1.95	0.086	0.1V / 100
GSDRT5412P-3R3M	3.30	20%	1.18	1.85	0.103	0.1V / 100
GSDRT5412P-4R7M	4.70	20%	0.90	1.60	0.143	0.1V / 100
GSDRT5412P-6R8M	6.80	20%	0.73	1.35	0.199	0.1V / 100
GSDRT5412P-100M	10.00	20%	0.62	1.12	0.276	0.1V / 100
GSDRT5412P-150M	15.00	20%	0.50	0.90	0.408	0.1V / 100
GSDRT5412P-220M	22.00	20%	0.41	0.80	0.551	0.1V / 100
GSDRT5412P-330M	33.00	20%	0.39	0.68	0.768	0.1V / 100
GSDRT5412P-470M	47.00	20%	0.32	0.55	1.709	0.1V / 100

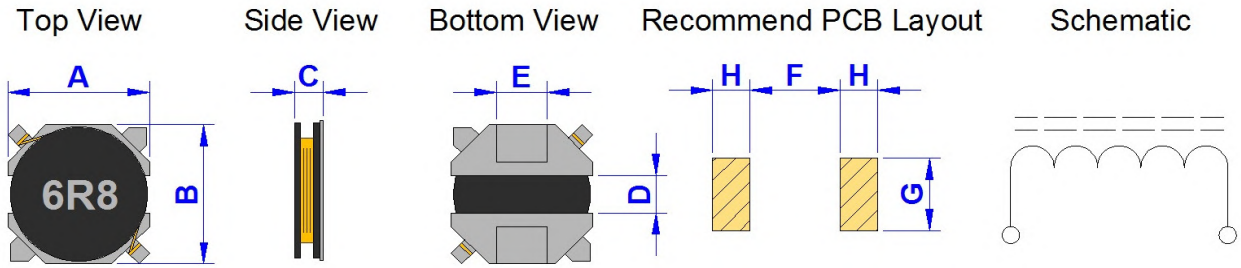
* Isat = Current loading caused L value drop approximately 10%

* Iirms =Current loading caused the parts Temperature rise about 40deg.C

Product Series : GSDRT	Brand : GOTREND
File Version : GSDRT-V2R1	Editor : Teddy Sun
Established Date : 2009.08.18	Description : SMD Ferrite DR Core Inductor
Latest Edit Date : 2020.10.30	Product Type : <input checked="" type="checkbox"/> Standard <input type="checkbox"/> Customize

GSDRT5419P-SERIES

Dimension [mm] :



A+/-0.3	B+/-0.3	C [Max.]	D [Ref.]	E [Ref.]	F [Ref.]	G [Ref.]	H [Ref.]
5.60	5.60	1.90	1.50	1.80	2.50	2.50	1.75

Electrical Characteristics :

Part NO.	Inductance (uH)	Tolerance(± %)	Isat (A) Max.	Irms (A) Max.	DC Resistance (ohm) Max.	L -Test Freq. (KHz)
GSDRT5419P-1R5M	1.50	20%	4.50	3.50	0.040	0.1V / 100
GSDRT5419P-2R2M	2.20	20%	3.70	2.90	0.052	0.1V / 100
GSDRT5419P-3R3M	3.30	20%	2.90	2.40	0.068	0.1V / 100
GSDRT5419P-4R7M	4.70	20%	2.70	2.20	0.091	0.1V / 100
GSDRT5419P-6R8M	6.80	20%	2.20	1.80	0.136	0.1V / 100
GSDRT5419P-8R2M	8.20	20%	1.90	1.52	0.158	0.1V / 100
GSDRT5419P-100M	10.00	20%	1.50	1.50	0.184	0.1V / 100
GSDRT5419P-150M	15.00	20%	1.40	1.15	0.277	0.1V / 100
GSDRT5419P-220M	22.00	20%	1.15	0.97	0.374	0.1V / 100
GSDRT5419P-330M	33.00	20%	0.97	0.76	0.574	0.1V / 100
GSDRT5419P-470M	47.00	20%	0.81	0.65	0.844	0.1V / 100

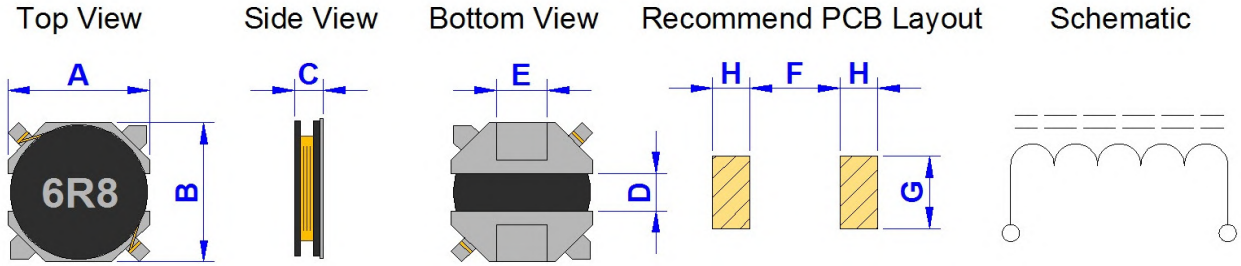
* Isat = Current loading caused L value drop approximately 10%

* Iirms =Current loading caused the parts Temperature rise about 40deg.C

Product Series : GSDRT	Brand : GOTREND
File Version : GSDRT-V2R1	Editor : Teddy Sun
Established Date : 2009.08.18	Description : SMD Ferrite DR Core Inductor
Latest Edit Date : 2020.10.30	Product Type : <input checked="" type="checkbox"/> Standard <input type="checkbox"/> Customize

GSDRT7012P-SERIES

Dimension [mm] :



A+/-0.3	B+/-0.3	C [Max.]	D [Ref.]	E [Ref.]	F [Ref.]	G [Ref.]	H [Ref.]
7.20	7.20	1.25	2.00	2.20	3.50	3.00	2.25

Electrical Characteristics :

Part NO.	Inductance (uH)	Tolerance(± %)	Isat (A) Max.	Irms (A) Max.	DC Resistance (ohm) Max.	L -Test Freq. (KHz)
GSDRT7012P-4R7M	4.70	20%	1.42	1.60	0.156	0.1V / 100
GSDRT7012P-6R8M	6.80	20%	1.11	1.32	0.203	0.1V / 100
GSDRT7012P-100M	10.00	20%	0.95	1.25	0.242	0.1V / 100
GSDRT7012P-150M	15.00	20%	0.75	0.90	0.412	0.1V / 100
GSDRT7012P-220M	22.00	20%	0.60	0.75	0.586	0.1V / 100
GSDRT7012P-330M	33.00	20%	0.50	0.57	0.853	0.1V / 100
GSDRT7012P-470M	47.00	20%	0.45	0.54	1.046	0.1V / 100

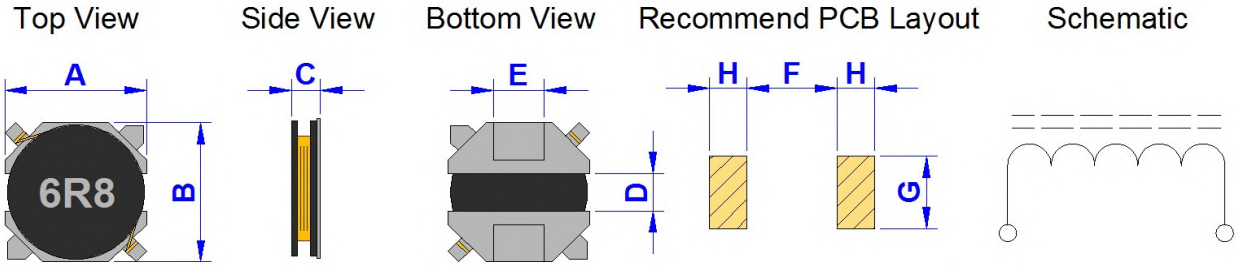
* Isat = Current loading caused L value drop approximately 10%

* Iirms =Current loading caused the parts Temperature rise about 40deg.C

Product Series : GSDRT	Brand : GOTREND
File Version : GSDRT-V2R1	Editor : Teddy Sun
Established Date : 2009.08.18	Description : SMD Ferrite DR Core Inductor
Latest Edit Date : 2020.10.30	Product Type : <input checked="" type="checkbox"/> Standard <input type="checkbox"/> Customize

GSDRT7015P-SERIES

Dimension [mm] :



A+/-0.3	B+/-0.3	C [Max.]	D [Ref.]	E [Ref.]	F [Ref.]	G [Ref.]	H [Ref.]
7.20	7.20	1.50	2.00	2.20	3.50	3.00	2.25

Electrical Characteristics :

Part NO.	Inductance (uH)	Tolerance(± %)	Isat (A) Max.	Irms (A) Max.	DC Resistance (ohm) Max.	L -Test Freq. (KHz)
GSDRT7015P-2R2M	2.20	20%	2.50	2.70	0.050	0.1V / 100
GSDRT7015P-3R3M	3.30	20%	2.00	2.50	0.061	0.1V / 100
GSDRT7015P-4R7M	4.70	20%	1.80	2.05	0.085	0.1V / 100
GSDRT7015P-6R8M	6.80	20%	1.40	1.70	0.145	0.1V / 100
GSDRT7015P-100M	10.00	20%	1.20	1.40	0.196	0.1V / 100
GSDRT7015P-150M	15.00	20%	0.95	1.20	0.265	0.1V / 100
GSDRT7015P-220M	22.00	20%	0.75	1.00	0.365	0.1V / 100
GSDRT7015P-330M	33.00	20%	0.62	0.73	0.581	0.1V / 100
GSDRT7015P-470M	47.00	20%	0.50	0.70	0.743	0.1V / 100

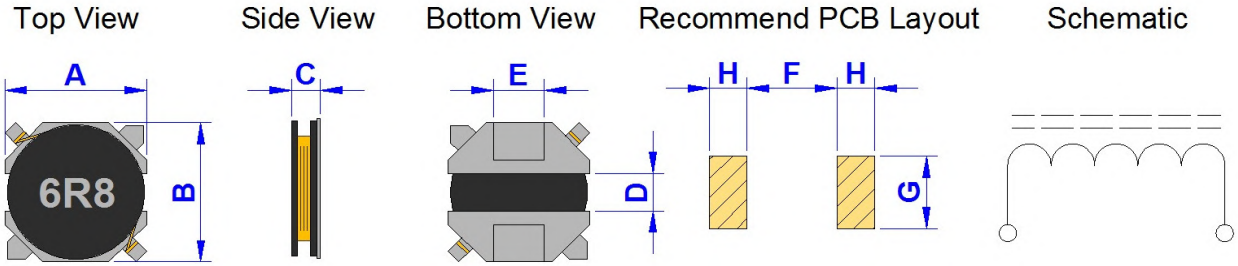
* Isat = Current loading caused L value drop approximately 10%

* Iirms =Current loading caused the parts Temperature rise about 40deg.C

Product Series : GSDRT	Brand : GOTREND
File Version : GSDRT-V2R1	Editor : Teddy Sun
Established Date : 2009.08.18	Description : SMD Ferrite DR Core Inductor
Latest Edit Date : 2020.10.30	Product Type : <input checked="" type="checkbox"/> Standard <input type="checkbox"/> Customize

GSDRT7018P-SERIES

Dimension [mm] :



A+/-0.3	B+/-0.3	C [Max.]	D [Ref.]	E [Ref.]	F [Ref.]	G [Ref.]	H [Ref.]
7.20	7.20	1.80	2.00	2.20	3.50	3.00	2.25

Electrical Characteristics :

Part NO.	Inductance (uH)	Tolerance(± %)	Isat (A) Max.	Irms (A) Max.	DC Resistance (ohm) Max.	L -Test Freq. (KHz)
GSDRT7018P-4R7M	4.70	20%	2.50	2.50	0.070	0.25V / 100
GSDRT7018P-6R8M	6.80	20%	2.00	2.00	0.101	0.25V / 100
GSDRT7018P-100M	10.00	20%	1.70	1.71	0.149	0.25V / 100
GSDRT7018P-150M	15.00	20%	1.30	1.35	0.227	0.25V / 100
GSDRT7018P-180M	18.00	20%	1.20	1.28	0.265	0.25V / 100
GSDRT7018P-220M	22.00	20%	1.15	1.10	0.326	0.25V / 100
GSDRT7018P-270M	27.00	20%	1.05	0.97	0.386	0.25V / 100
GSDRT7018P-330M	33.00	20%	0.95	0.90	0.462	0.25V / 100
GSDRT7018P-390M	39.00	20%	0.87	0.81	0.571	0.25V / 100

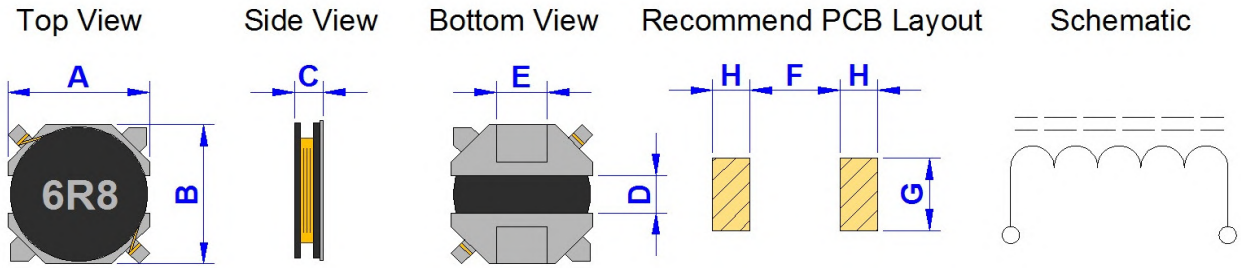
* Isat = Current loading caused L value drop approximately 10%

* Iirms =Current loading caused the parts Temperature rise about 40deg.C

Product Series : GSDRT	Brand : GOTREND
File Version : GSDRT-V2R1	Editor : Teddy Sun
Established Date : 2009.08.18	Description : SMD Ferrite DR Core Inductor
Latest Edit Date : 2020.10.30	Product Type : <input checked="" type="checkbox"/> Standard <input type="checkbox"/> Customize

GSDRT7020P-SERIES

Dimension [mm] :



A+/-0.3	B+/-0.3	C [Max.]	D [Ref.]	E [Ref.]	F [Ref.]	G [Ref.]	H [Ref.]
7.20	7.20	2.00	2.00	2.20	3.50	3.00	2.25

Electrical Characteristics :

Part NO.	Inductance (uH)	Tolerance(± %)	Isat (A) Max.	Irms (A) Max.	DC Resistance (ohm) Max.	L -Test Freq. (KHz)
GSDRT7020P-2R2M	2.20	20%	4.60	3.00	0.050	0.1V / 100
GSDRT7020P-3R3M	3.30	20%	4.00	2.20	0.070	0.1V / 100
GSDRT7020P-4R7M	4.70	20%	3.50	2.00	0.096	0.1V / 100
GSDRT7020P-6R8M	6.80	20%	2.70	1.75	0.120	0.1V / 100
GSDRT7020P-100M	10.00	20%	2.00	1.40	0.186	0.1V / 100
GSDRT7020P-150M	15.00	20%	1.50	1.10	0.254	0.1V / 100
GSDRT7020P-220M	22.00	20%	1.30	1.07	0.306	0.1V / 100
GSDRT7020P-330M	33.00	20%	1.20	0.85	0.500	0.1V / 100
GSDRT7020P-470M	47.00	20%	1.00	0.75	0.692	0.1V / 100

* Isat = Current loading caused L value drop approximately 10%

* Iirms =Current loading caused the parts Temperature rise about 40deg.C

Product Series : GLP	Brand : GOTREND
File Version : GLP-SERIES-V2R4	Editor : Teddy Sun
Established Date : 2009.06.30	Description : Shielding Choke
Latest Edit Date : 2020.10.30	Product Type : <input checked="" type="checkbox"/> Standard <input type="checkbox"/> Customize

Features & Application :

- 1.Power supply PWM circuit input/output inductor
- 2.Power line noise suppression
- 3.DC-DC Converter
- 4.Shielding Structure for good in EMI effect
- 5.To help you go pass CE / FCC standard
- 6.MB / NB / IPC / LCD Monitor / STB / Network Device
- 7.Low Profile for all compact design



(Picture for reference only)

Part No. Example :

PN	:	GLP	3210	P	[]	-	2R2	M	[]
-----		-----	-----	---	---		----	----	----
ID	:	1	2	3	4		5	6	7
1	:	GOTREND Series Code							
2	:	Dimension Code : 3210 = (L) 3.2 x (W) 3.2 x (H) 1.0 mm							
3	:	RoHS Compliance							
4	:	Special Code for Series L=Low DC Resistance / H=High Current							
5	:	Inductance : 2R2 = 2.2uH Ex : 100=10uH, 101=100uH							
6	:	Tolerance : M=20%, N=30%							
7	:	Special Code for specific item : S=Custom Design							
8	:	Serial Number for Special Code							

Basic Information :

Made in	China
Pin Foot	SMD
Shielding	Yes
J-STD-020	MSL Level 1
RoHS	Compliant
REACH	Compliant
Halogen	Free

Operating & Storage Condition :

- * Operating Temp -40 ~ +125 deg.C (Including self - temperature rise)
- * Storage Temp 1. -10 ~ +45 deg.C , 50 ~ 60% RH (Product with taping)
2. -40 ~ +125 deg.C (On board)
- * Storage Life Time 6 Month (Less than 40 deg.C and 60% RH)

Attention & Caution :

- * Keep out of Splashing water or salt water
- * Avoid Toxic Gas (Hydrogen sulfide, Sulfurous acid, Chlorine, Ammonia)
- Vibrations or shocks which exceed the specified condition
- Dew condense
- Layout near the edge of PCB
- Over flexure after SMT mounting & PCBA



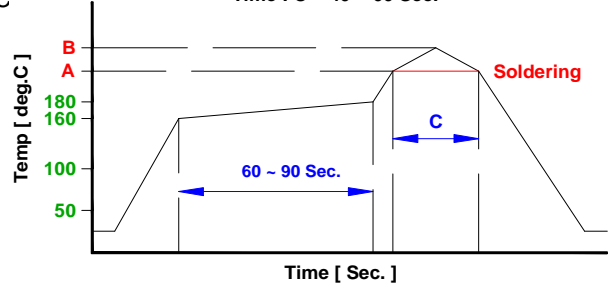
- * Pin foot or SMD pad solderability: Pb free type is best within 6 months after delivery
- * Humidity sensitive , IPC/JEDEC J-STD-020 MSL if over Level 1, recommend bake 30mins@150 degree before PCBA
- * Caution for human life relative applications : PLS contact & consult with GOTREND team in design stage.

Test Condition :

- * Equipment HP4284A , HP42841A - L , Q , DCR , IDC
HP8753D Network analyzer - SRF
- * Standard Atmosphere Conditions:
Ambient Temperature 20 ± 15 deg.C
Humidity RH 65 ± 20%
- * If there may be any doubt on the test result ,
Measurement shall be made within the following limits:
Ambient Temperature 25 ± 5 deg.C
Humidity RH 75 ± 10%

Recommend IR Reflow Curve : GTX-IR-FILE001

Lead Free Solder : A = 217 deg.C , B = 245+/-5 deg.C
Time : C = 40 ~ 60 Sec.

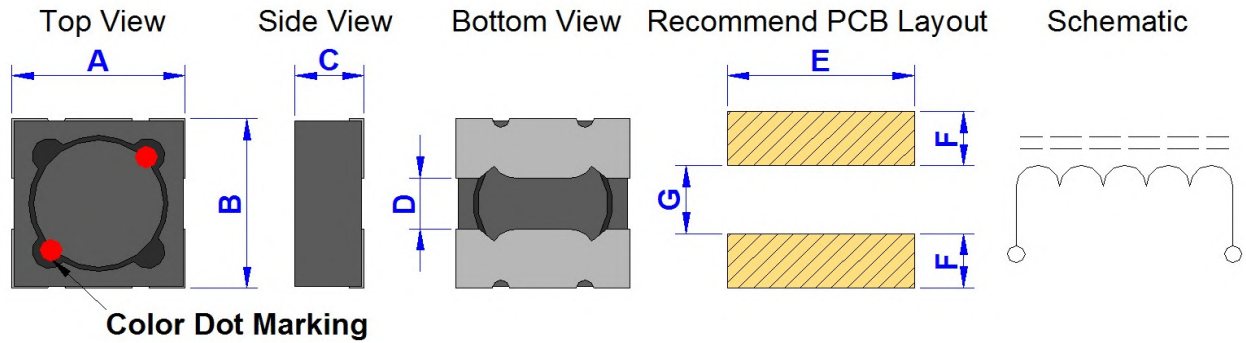


**Notice : Iron Soldering , Solder < 30 Watt ,
Direct touch the terminal x 3 Sec. Max. @ 350 deg.C**

Product Series : GLP	Brand : GOTREND
File Version : GLP-SERIES-V2R4	Editor : Teddy Sun
Established Date : 2009.06.30	Description : Shielding Choke
Latest Edit Date : 2020.10.30	Product Type : <input checked="" type="checkbox"/> Standard <input type="checkbox"/> Customize

GLP3210P-SERIES

Dimension [mm] :



Size	A ± 0.2	B ± 0.2	C (Max.)	D (Ref.)	E (Ref.)	F (Ref.)	G (Ref.)
3210	3.2	3.2	1.05	1.2	3.6	1.2	1.2

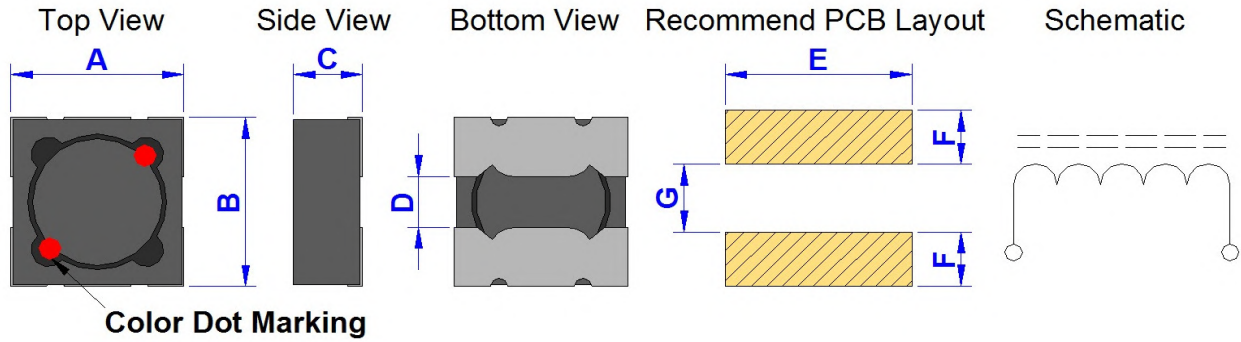
Electrical Characteristics :

Part No.	Inductance @ 1KHz / 0.25V (uH)	L-Tolerance M = ± 20% N = ± 30%	Isat-1 @ L-Drop 10% (mA / ± 20%)	Isat-2 @ L-Drop 35% (mA / ± 20%)	I _{rms} @ Temperature Rise 25°C (mA / ± 20%)	RDC (Ohm / Typ.)	RDC (Ohm / Max)	Color Code Marking
GLP3210P-1R2□	1.2	M/N	1000	1400	1500	0.080	0.096	Black
GLP3210P-1R5□	1.5	M/N	1000	1360	1400	0.090	0.108	Brown
GLP3210P-1R8□	1.8	M/N	900	1240	1350	0.100	0.120	Red
GLP3210P-2R2□	2.2	M/N	860	1080	1250	0.110	0.132	Orange
GLP3210P-2R7□	2.7	M/N	760	940	1100	0.130	0.156	Yellow
GLP3210P-3R3□	3.3	M/N	680	880	1000	0.180	0.216	Green
GLP3210P-3R9□	3.9	M/N	620	840	900	0.200	0.240	Blue
GLP3210P-4R7□	4.7	M/N	600	820	850	0.270	0.324	Violet
GLP3210P-5R6□	5.6	M/N	540	720	750	0.320	0.384	Gray
GLP3210P-6R8□	6.8	M/N	460	600	700	0.330	0.396	White
GLP3210P-8R2□	8.2	M/N	440	580	650	0.420	0.500	Black
GLP3210P-100□	10.0	M	420	540	600	0.470	0.560	Brown
GLP3210P-120□	12.0	M	320	440	550	0.680	0.816	Red
GLP3210P-150□	15.0	M	300	400	500	0.800	0.960	Orange
GLP3210P-180□	18.0	M	300	380	450	0.890	1.086	Yellow
GLP3210P-220□	22.0	M	260	320	400	1.100	1.320	Green
GLP3210P-330□	33.0	M	220	280	340	1.600	1.920	Blue

Product Series : GLP	Brand : GOTREND
File Version : GLP-SERIES-V2R4	Editor : Teddy Sun
Established Date : 2009.06.30	Description : Shielding Choke
Latest Edit Date : 2020.10.30	Product Type : <input checked="" type="checkbox"/> Standard <input type="checkbox"/> Customize

GLP3216PL-SERIES

Dimension [mm] :



Size	A ± 0.2	B ± 0.2	C (Max.)	D (Ref.)	E (Ref.)	F (Ref.)	G (Ref.)
3216	3.2	3.2	1.60	1.2	3.6	1.2	1.2

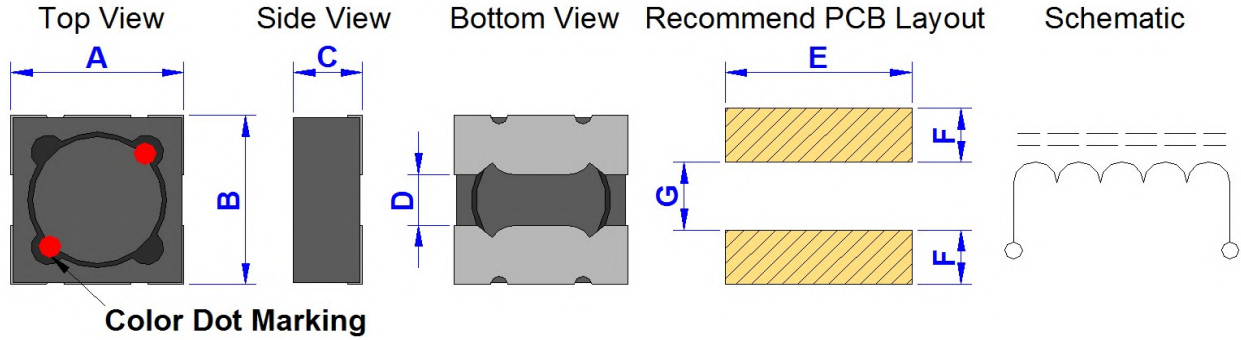
Electrical Characteristics :

Part No.	Inductance @ 1KHz / 0.25V (uH)	L-Tolerance M = ± 20% N = ± 30%	Isat-1 @ L-Drop 10% (mA / ± 20%)	Isat-2 @ L-Drop 35% (mA / ± 20%)	I _{rms} @ Temperature Rise 25°C (mA / ± 20%)	RDC (Ohm / Typ.)	RDC (Ohm / Max)	Color Code Marking
GLP3216PL-1R0□	1.0	M/N	1040	1400	1800	0.040	0.048	Green
GLP3216PL-1R2□	1.2	M/N	1000	1300	1740	0.040	0.048	Blue
GLP3216PL-1R5□	1.5	M/N	940	1220	1700	0.050	0.060	Violet
GLP3216PL-1R8□	1.8	M/N	920	1160	1640	0.060	0.072	Gray
GLP3216PL-2R2□	2.2	M/N	880	1100	1600	0.070	0.084	White
GLP3216PL-2R7□	2.7	M/N	740	930	1450	0.070	0.084	Green
GLP3216PL-3R3□	3.3	M/N	680	900	1240	0.090	0.108	Blue
GLP3216PL-3R9□	3.9	M/N	620	820	1120	0.120	0.144	Violet
GLP3216PL-4R7□	4.7	M/N	600	740	1100	0.130	0.156	Gray
GLP3216PL-5R6□	5.6	M/N	580	700	1060	0.160	0.192	White
GLP3216PL-6R8□	6.8	M/N	420	620	1000	0.170	0.204	Green
GLP3216PL-8R2□	8.2	M/N	400	580	900	0.230	0.276	Blue
GLP3216PL-100□	10.0	M	380	500	800	0.244	0.293	Violet
GLP3216PL-120□	12.0	M	360	440	700	0.320	0.384	Gray
GLP3216PL-150□	15.0	M	360	420	700	0.370	0.444	White
GLP3216PL-180□	18.0	M	300	380	620	0.490	0.588	Green
GLP3216PL-220□	22.0	M	260	340	480	0.450	0.540	Blue

Product Series : GLP	Brand : GOTREND
File Version : GLP-SERIES-V2R4	Editor : Teddy Sun
Established Date : 2009.06.30	Description : Shielding Choke
Latest Edit Date : 2020.10.30	Product Type : <input checked="" type="checkbox"/> Standard <input type="checkbox"/> Customize

GLP3216PH-SERIES

Dimension [mm] :



Size	A ± 0.2	B ± 0.2	C (Max.)	D (Ref.)	E (Ref.)	F (Ref.)	G (Ref.)
3216	3.2	3.2	1.60	1.2	3.6	1.2	1.2

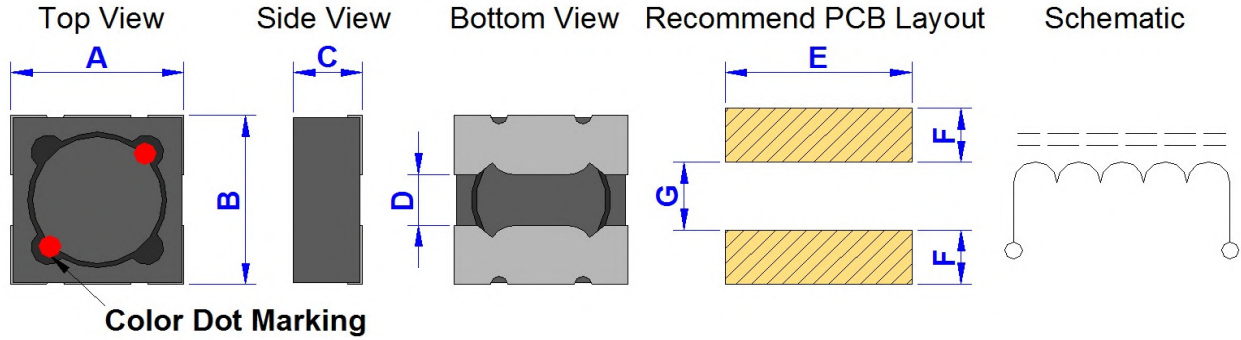
Electrical Characteristics :

Part No.	Inductance @ 1KHz / 0.25V (uH)	L-Tolerance M = ± 20% N = ± 30%	Isat-1 @ L-Drop 10% (mA / ± 20%)	Isat-2 @ L-Drop 35% (mA / ± 20%)	I _{rms} @ Temperature Rise 25°C (mA / ± 20%)	RDC (Ohm / Typ.)	RDC (Ohm / Max)	Color Code Marking
GLP3216PH-R47□	0.47	N	3000	3400	2200	0.040	0.048	Pink
GLP3216PH-1R0□	1.0	M/N	2600	3000	2000	0.050	0.060	Pink
GLP3216PH-1R2□	1.2	N	2300	2500	1900	0.083	0.100	Brown
GLP3216PH-1R5□	1.5	M/N	2100	2500	1500	0.090	0.108	Brown
GLP3216PH-2R2□	2.2	M/N	1800	2100	1280	0.090	0.108	Red
GLP3216PH-2R7□	2.7	M/N	1600	1800	1200	0.120	0.144	White
GLP3216PH-3R3□	3.3	M/N	1500	1720	1100	0.150	0.180	Orange
GLP3216PH-3R9□	3.9	M/N	1400	1560	1020	0.160	0.192	Yellow
GLP3216PH-4R7□	4.7	M/N	1300	1500	960	0.200	0.240	Black
GLP3216PH-5R6□	5.6	M/N	1200	1300	940	0.232	0.278	Black
GLP3216PH-6R8□	6.8	M/N	1100	1300	840	0.270	0.324	Brown
GLP3216PH-100□	10.0	M	940	1100	740	0.400	0.480	Red
GLP3216PH-150□	15.0	M	760	860	600	0.570	0.684	Orange
GLP3216PH-220□	22.0	M	600	680	460	0.910	1.092	Yellow
GLP3216PH-330□	33.0	M	440	480	400	1.486	1.783	Black
GLP3216PH-470□	47.0	M	400	440	260	1.814	2.177	Brown
GLP3216PH-680□	68.0	M	290	330	260	3.520	4.224	Orange
GLP3216PH-101□	100.0	M	240	280	240	3.840	4.608	Black

Product Series : GLP	Brand : GOTREND
File Version : GLP-SERIES-V2R4	Editor : Teddy Sun
Established Date : 2009.06.30	Description : Shielding Choke
Latest Edit Date : 2020.10.30	Product Type : <input checked="" type="checkbox"/> Standard <input type="checkbox"/> Customize

GLP3218PL-SERIES

Dimension [mm] :



Size	A ± 0.2	B ± 0.2	C (Max.)	D (Ref.)	E (Ref.)	F (Ref.)	G (Ref.)
3218	3.2	3.2	1.80	1.2	3.6	1.2	1.2

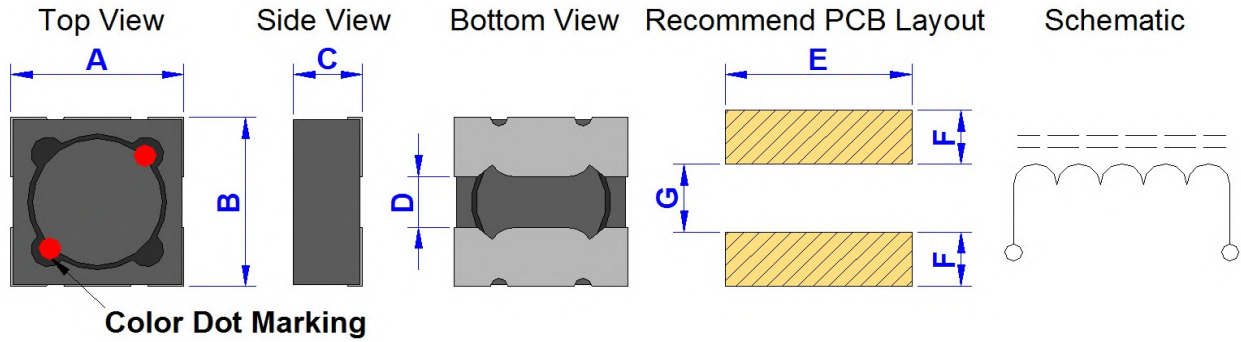
Electrical Characteristics :

Part No.	Inductance @ 1KHz / 0.25V (uH)	L-Tolerance M = ± 20% N = ± 30%	Isat-1 @ L-Drop 10% (mA / ± 20%)	Isat-2 @ L-Drop 35% (mA / ± 20%)	I _{rms} @ Temperature Rise 25°C (mA / ± 20%)	RDC (Ohm / Typ.)	RDC (Ohm / Max)	Color Code Marking
GLP3218PL-1R0□	1.0	M/N	960	1360	1800	0.038	0.045	Green
GLP3218PL-1R2□	1.2	M/N	940	1220	1760	0.040	0.048	Blue
GLP3218PL-1R5□	1.5	M/N	900	1140	1700	0.050	0.060	Violet
GLP3218PL-1R8□	1.8	M/N	840	1040	1680	0.050	0.060	Gray
GLP3218PL-2R2□	2.2	M/N	840	980	1640	0.060	0.072	White
GLP3218PL-2R7□	2.7	M/N	680	900	1460	0.060	0.072	Green
GLP3218PL-3R3□	3.3	M/N	600	800	1400	0.080	0.096	Blue
GLP3218PL-3R9□	3.9	M/N	580	800	1220	0.090	0.108	Violet
GLP3218PL-4R7□	4.7	M/N	540	740	1200	0.100	0.120	Gray
GLP3218PL-5R6□	5.6	M/N	500	660	1120	0.110	0.132	White
GLP3218PL-6R8□	6.8	M/N	480	600	1060	0.120	0.144	Green
GLP3218PL-8R2□	8.2	M/N	400	540	900	0.168	0.202	Blue
GLP3218PL-100□	10.0	M	360	460	880	0.190	0.228	Violet
GLP3218PL-120□	12.0	M	320	460	800	0.220	0.264	Gray
GLP3218PL-150□	15.0	M	300	400	720	0.290	0.348	White
GLP3218PL-180□	18.0	M	280	380	660	0.350	0.420	Green
GLP3218PL-220□	22.0	M	240	320	500	0.440	0.528	Blue
GLP3218PL-270□	27.0	M	220	280	420	0.490	0.588	Violet

Product Series : GLP	Brand : GOTREND
File Version : GLP-SERIES-V2R4	Editor : Teddy Sun
Established Date : 2009.06.30	Description : Shielding Choke
Latest Edit Date : 2020.10.30	Product Type : <input checked="" type="checkbox"/> Standard <input type="checkbox"/> Customize

GLP3218PH-SERIES

Dimension [mm] :



Size	A ± 0.2	B ± 0.2	C (Max.)	D (Ref.)	E (Ref.)	F (Ref.)	G (Ref.)
3218	3.2	3.2	1.80	1.2	3.6	1.2	1.2

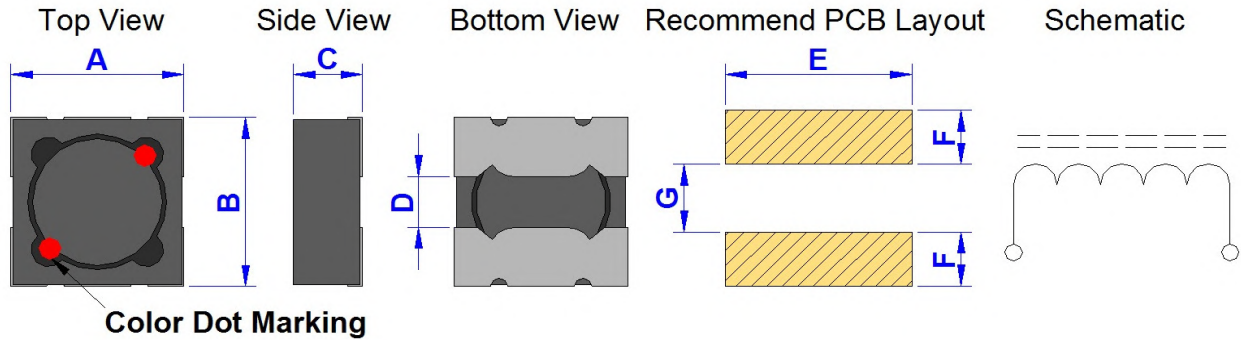
Electrical Characteristics :

Part No.	Inductance @ 1KHz / 0.25V (uH)	L-Tolerance M = ± 20% N = ± 30%	Isat-1 @ L-Drop 10% (mA / ± 20%)	Isat-2 @ L-Drop 35% (mA / ± 20%)	I _{rms} @ Temperature Rise 25°C (mA / ± 20%)	RDC (Ohm / Typ.)	RDC (Ohm / Max)	Color Code Marking
GLP3218PH-1R0□	1.0	M/N	3000	3400	2160	0.050	0.060	Black
GLP3218PH-1R8□	1.8	M/N	2400	2800	1760	0.080	0.096	Brown
GLP3218PH-2R2□	2.2	M/N	1800	2140	1440	0.090	0.108	Red
GLP3218PH-3R3□	3.3	M/N	1500	1800	1100	0.100	0.120	Orange
GLP3218PH-3R9□	3.9	M/N	1500	1780	1050	0.120	0.144	Yellow
GLP3218PH-4R7□	4.7	M/N	1400	1600	1000	0.150	0.180	Black
GLP3218PH-6R8□	6.8	M/N	1200	1400	950	0.220	0.264	Brown
GLP3218PH-100□	10.0	M	920	1020	780	0.360	0.432	Red
GLP3218PH-120□	12.0	M	840	980	680	0.410	0.492	Orange
GLP3218PH-150□	15.0	M	800	900	620	0.620	0.744	Yellow
GLP3218PH-220□	22.0	M	640	740	450	0.750	0.900	Black

Product Series : GLP	Brand : GOTREND
File Version : GLP-SERIES-V2R4	Editor : Teddy Sun
Established Date : 2009.06.30	Description : Shielding Choke
Latest Edit Date : 2020.10.30	Product Type : <input checked="" type="checkbox"/> Standard <input type="checkbox"/> Customize

GLP4212P-SERIES

Dimension [mm] :



Size	A ± 0.2	B ± 0.2	C (Max.)	D (Ref.)	E (Ref.)	F (Ref.)	G (Ref.)
4212	4.2	4.2	1.15 +/- -0.1	1.6	4.6	1.6	1.4

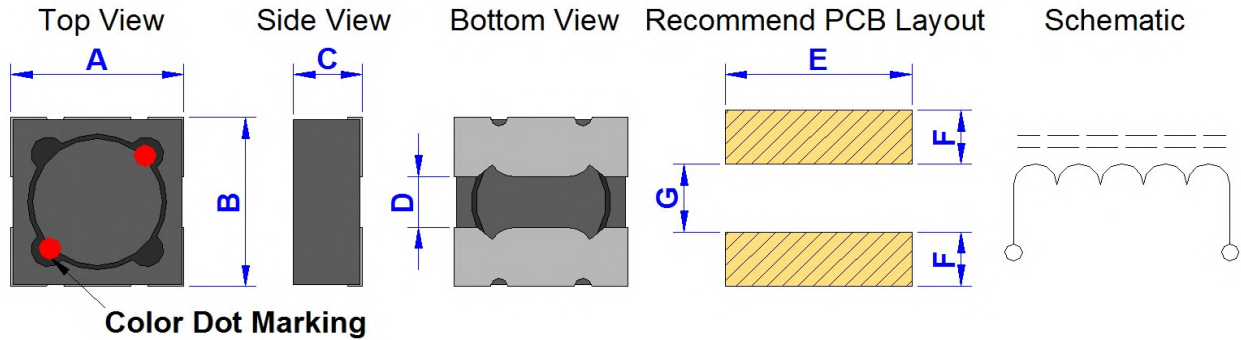
Electrical Characteristics :

Part No.	Inductance @ 1KHz / 0.25V (uH)	L-Tolerance M = ± 20% N = ± 30%	Isat-1 @ L-Drop 10% (mA / ± 20%)	Isat-2 @ L-Drop 35% (mA / ± 20%)	I _{rms} @ Temperature Rise 25°C (mA / ± 20%)	RDC (Ohm / Typ.)	RDC (Ohm / Max)	Color Code Marking
GLP4212P□-1R0□	1.0	M/N	2300	3000	2000	0.050	0.060	Black
GLP4212P□-1R2□	1.2	M/N	2200	2800	1900	0.050	0.060	Brown
GLP4212P□-1R5□	1.5	M/N	1900	2400	1800	0.060	0.072	Red
GLP4212P□-1R8□	1.8	M/N	1800	2300	1750	0.070	0.084	Orange
GLP4212P□-2R2□	2.2	M/N	1700	2100	1750	0.080	0.096	Yellow
GLP4212P□-2R7□	2.7	M/N	1400	1700	1440	0.110	0.132	Green
GLP4212P□-3R3□	3.3	M/N	1300	1700	1400	0.120	0.144	Blue
GLP4212P□-3R9□	3.9	M/N	1260	1600	1300	0.140	0.168	Violet
GLP4212P□-4R7□	4.7	M/N	1240	1580	1200	0.160	0.192	Gray
GLP4212P□-5R6□	5.6	M/N	1000	1300	1000	0.210	0.252	White
GLP4212P□-6R8□	6.8	M/N	1000	1300	960	0.220	0.264	Black
GLP4212P□-8R2□	8.2	M/N	920	1140	940	0.250	0.300	Brown
GLP4212P□-100□	10.0	M	860	1060	900	0.330	0.396	Red
GLP4212P□-120□	12.0	M	800	980	820	0.360	0.432	Orange
GLP4212P□-150□	15.0	M	600	800	640	0.520	0.624	Yellow
GLP4212P□-180□	18.0	M	560	760	600	0.625	0.750	Green
GLP4212P□-220□	22.0	M	460	640	520	0.732	0.878	Blue
GLP4212P□-330□	33.0	M	420	500	420	1.165	1.398	Violet

Product Series : GLP	Brand : GOTREND
File Version : GLP-SERIES-V2R4	Editor : Teddy Sun
Established Date : 2009.06.30	Description : Shielding Choke
Latest Edit Date : 2020.10.30	Product Type : <input checked="" type="checkbox"/> Standard <input type="checkbox"/> Customize

GLP4216P-SERIES

Dimension [mm] :



Size	A ± 0.2	B ± 0.2	C (Max.)	D (Ref.)	E (Ref.)	F (Ref.)	G (Ref.)
4216	4.2	4.2	1.60	1.6	4.6	1.6	1.4

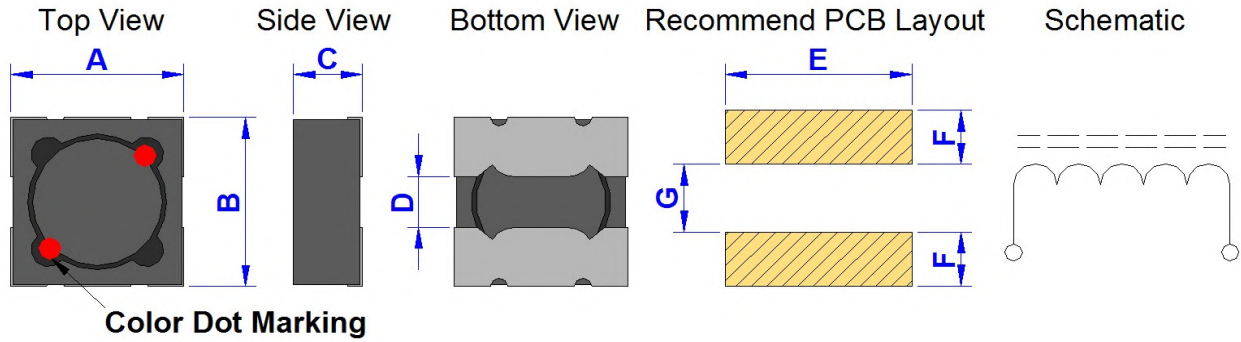
Electrical Characteristics :

Part No.	Inductance @ 1KHz / 0.25V (uH)	L-Tolerance M = ± 20% N = ± 30%	Isat-1 @ L-Drop 10% (mA / ± 20%)	Isat-2 @ L-Drop 35% (mA / ± 20%)	I _{rms} @ Temperature Rise 25°C (mA / ± 20%)	RDC (Ohm / Typ.)	RDC (Ohm / Max)	Color Code Marking
GLP4216P□-1R0□	1.0	M/N	2300	3000	2400	0.040	0.048	Black
GLP4216P□-1R2□	1.2	M/N	2200	2800	2340	0.040	0.048	Brown
GLP4216P□-1R5□	1.5	M/N	2000	2600	2300	0.050	0.060	Red
GLP4216P□-1R8□	1.8	M/N	1660	2300	2100	0.060	0.072	Orange
GLP4216P□-2R2□	2.2	M/N	1600	2200	2000	0.070	0.084	Yellow
GLP4216P□-2R7□	2.7	M/N	1400	2000	1600	0.080	0.096	Green
GLP4216P□-3R3□	3.3	M/N	1340	2000	1600	0.090	0.108	Blue
GLP4216P□-3R9□	3.9	M/N	1200	1800	1500	0.100	0.120	Violet
GLP4216P□-4R7□	4.7	M/N	1140	1600	1400	0.140	0.168	Gray
GLP4216P□-5R6□	5.6	M/N	1060	1460	1200	0.150	0.180	White
GLP4216P□-6R8□	6.8	M/N	1000	1400	1150	0.170	0.204	Black
GLP4216P□-8R2□	8.2	M/N	940	1280	1100	0.200	0.240	Brown
GLP4216P□-100□	10.0	M	900	1160	1020	0.230	0.276	Red
GLP4216P□-120□	12.0	M	880	1080	900	0.280	0.336	Orange
GLP4216P□-150□	15.0	M	640	860	720	0.340	0.408	Yellow
GLP4216P□-180□	18.0	M	600	820	680	0.380	0.456	Green
GLP4216P□-220□	22.0	M	540	740	650	0.500	0.600	Blue
GLP4216P□-270□	27.0	M	500	700	550	0.735	0.882	Violet
GLP4216P□-330□	33.0	M	460	580	480	0.890	1.068	Gray
GLP4216P□-390□	39.0	M	400	560	420	1.000	1.200	White
GLP4216P□-470□	47.0	M	340	520	350	1.150	1.380	Black

Product Series : GLP	Brand : GOTREND
File Version : GLP-SERIES-V2R4	Editor : Teddy Sun
Established Date : 2009.06.30	Description : Shielding Choke
Latest Edit Date : 2020.10.30	Product Type : <input checked="" type="checkbox"/> Standard <input type="checkbox"/> Customize

GLP4218P-SERIES

Dimension [mm] :



Size	A ± 0.2	B ± 0.2	C (Max.)	D (Ref.)	E (Ref.)	F (Ref.)	G (Ref.)
4218	4.2	4.2	1.80	1.6	4.6	1.6	1.4

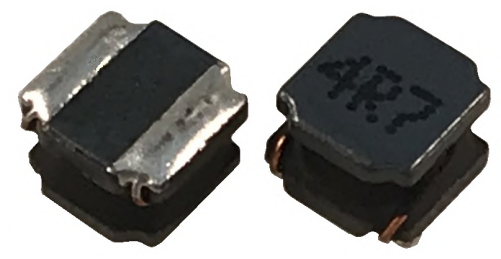
Electrical Characteristics :

Part No.	Inductance @ 1KHz / 0.25V (uH)	L-Tolerance M = ± 20% N = ± 30%	Isat-1 @ L-Drop 10% (mA / ± 20%)	Isat-2 @ L-Drop 35% (mA / ± 20%)	Irms @ Temperature Rise 25°C (mA / ± 20%)	RDC (Ohm / Typ.)	RDC (Ohm / Max)	Color Code Marking
GLP4218P□-1R0□	1.0	M/N	2600	3200	2400	0.040	0.048	Pink
GLP4218P□-1R2□	1.2	M/N	2400	3000	2200	0.040	0.048	Brown
GLP4218P□-1R5□	1.5	M/N	2200	2700	2200	0.050	0.060	Red
GLP4218P□-1R8□	1.8	M/N	1900	2400	2000	0.060	0.072	Orange
GLP4218P□-2R2□	2.2	M/N	1800	2200	1900	0.060	0.072	Yellow
GLP4218P□-2R7□	2.7	M/N	1700	2100	1800	0.070	0.084	Green
GLP4218P□-3R3□	3.3	M/N	1500	1880	1650	0.080	0.096	Blue
GLP4218P□-3R9□	3.9	M/N	1400	1800	1560	0.080	0.096	Violet
GLP4218P□-4R7□	4.7	M/N	1220	1460	1400	0.100	0.120	Gray
GLP4218P□-5R6□	5.6	M/N	1160	1480	1300	0.110	0.132	White
GLP4218P□-6R8□	6.8	M/N	1020	1260	1200	0.130	0.156	Pink
GLP4218P□-8R2□	8.2	M/N	1000	1240	1150	0.150	0.180	Brown
GLP4218P□-100□	10.0	M	900	1100	1050	0.170	0.204	Red
GLP4218P□-120□	12.0	M	840	1000	800	0.250	0.300	Orange
GLP4218P□-150□	15.0	M	740	880	720	0.320	0.384	Yellow
GLP4218P□-180□	18.0	M	700	840	680	0.360	0.432	Green
GLP4218P□-220□	22.0	M	600	740	650	0.420	0.504	Blue
GLP4218P□-270□	27.0	M	560	700	600	0.450	0.540	Violet
GLP4218P□-330□	33.0	M	460	580	580	0.620	0.744	Gray
GLP4218P□-390□	39.0	M	450	560	480	0.650	0.780	White
GLP4218P□-470□	47.0	M	430	520	450	0.790	0.948	Pink
GLP4218P□-560□	56.0	M	380	480	400	0.862	1.034	Brown
GLP4218P□-680□	68.0	M	300	400	360	0.975	1.170	Red
GLP4218P□-101□	100.0	M	260	320	360	1.380	1.656	Yellow
GLP4218P□-102□	1000.0	M	80	100	130	15.200	18.240	Black
GLP4218P□-222□	2200.0	M	60	70	70	43.000	51.600	Pink

Product Series : GNR	Brand : GOTREND
File Version : GNR-SERIES-V7R7	Editor : Teddy Sun
Established Date : 2009.08.19	Description : SMD Shielded Power Inductor
Latest Edit Date : 2020.10.30	Product Type : <input checked="" type="checkbox"/> Standard <input type="checkbox"/> Customize

Features & Application :

- * Power supply PWM circuit input / output inductor
- * Power line noise suppression
- * DC-DC Converter
- * To help you go pass CE/FCC standard
- * TFT / WiFi / Mobile Phone / MP3 / PDA etc. Application
- * Low Profile for all compact design



(Picture for reference only)

Part No. Example :

PN	:	GNR	3010	P	[]	-	6R8	M	[]
-----		-----	-----	---	-----		-----	---	---
ID	:	1	2	3	4		5	6	7
1	:	GOTREND Series Code							
2	:	Dimension Code : 3010 = (L) 3.1 x (W) 3.1 x (H) 1.0 mm							
3	:	RoHS Compliance							
4	:	[I] : For GNR3010P / 3015P Marking series Code [A / C / L] : Material Code							
5	:	Inductance : 6R8 = 6.8uH , Ex : 100 = 10uH , 101 = 100uH							
6	:	Tolerance : M = 20% , N = 30%							
7	:	[1 ~ 9] : For customer special design.							

Basic Information :

Made in	China
Pin Foot	SMD
Shielding	Yes
J-STD-020	MSL Level 1
RoHS	Compliant
REACH	Compliant
Halogen	Free

Operating & Storage Condition :

- * Operating Temp -40 ~ +125 deg.C (Including self - temperature rise)
- * Storage Temp 1. -10 ~ +45 deg.C , 50 ~ 60% RH (Product with taping)
2. -40 ~ +125 deg.C (On board)
- * Storage Life Time 6 Month (Less than 40 deg.C and 60% RH)

Attention & Caution :

- * Keep out of Splashing water or salt water
- * Avoid Toxic Gas (Hydrogen sulfide, Sulfurous acid, Chlorine, Ammonia)
- * Avoid Vibrations or shocks which exceed the specified condition
- * Avoid Dew condense
- * Avoid Layout near the edge of PCB
- * Avoid Over flexure after SMT mounting & PCBA

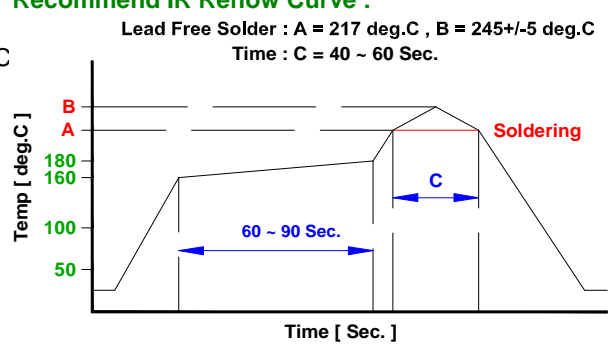


- * Pin foot or SMD pad solderability: Pb free type is best within 6 months after delivery
- * Humidity sensitive , IPC/JEDEC J-STD-020 MSL if over Level 1, recommend bake 30mins@150 degree before PCBA
- * Caution for human life relative applications : PLS contact & consult with GOTREND team in design stage.

Test Condition :

- * Equipment HP4284A , HP42841A - L , Q , DCR , IDC
HP8753D Network analyzer - SRF
- * Standard Atmosphere Conditions:
Ambient Temperature 20 ± 15 deg.C
Humidity RH 65 ± 20%
- * If there may be any doubt on the test result ,
Measurement shall be made within the following limits:
Ambient Temperature 25 ± 5 deg.C
Humidity RH 75 ± 10%

Recommend IR Reflow Curve :

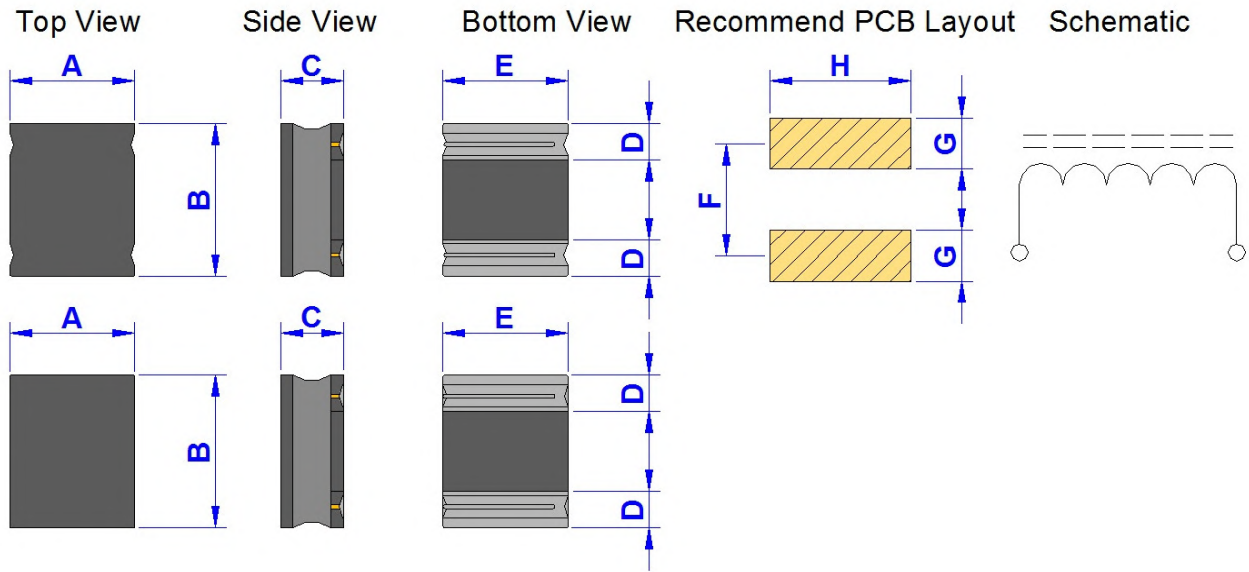


Notice : Iron Soldering , Solder < 30 Watt , Direct touch the terminal x 3 Sec. Max. @ 350 deg.C

Product Series : GNR	Brand : GOTREND
File Version : GNR-SERIES-V7R7	Editor : Teddy Sun
Established Date : 2009.08.19	Description : SMD Shielded Power Inductor
Latest Edit Date : 2020.10.30	Product Type : <input checked="" type="checkbox"/> Standard <input type="checkbox"/> Customize

GNR2510P-SERIES

Dimension [mm] :



Size Code	A (Max.)	B (Max.)	C (Max.)	D (Ref.)	E (Ref.)	F (Ref.)	G (Ref.)	H (Ref.)
2510	2.20	2.70	1.00	0.85	2.00	1.65	0.85	2.00

Electrical Characteristics :

Part No.	Inductance (uH)	L-Tolerance	RDC (m Ohm) Typ.	RDC (m Ohm) Max.	Isat (mA) Typ.	Irms (mA) Typ.
GNR2510P-R47□	0.47	M,N	40.0	48.0	2500	2650
GNR2510P-R68□	0.68	M,N	52.0	64.0	2200	2200
GNR2510P-1R0□	1.00	M,N	70.0	85.0	1800	1900
GNR2510P-1R5□	1.50	M,N	107.0	128.0	1500	1500
GNR2510P-2R2□	2.20	M	150.0	185.0	1200	1200
GNR2510P-3R3□	3.30	M	225.0	270.0	1000	1000
GNR2510P-4R7□	4.70	M	330.0	398.0	880	820
GNR2510P-6R8□	6.80	M	443.0	532.0	740	710
GNR2510P-100□	10.00	M	712.0	854.0	590	550

■ Inductance test Freq. : 1MHz / 0.1V

■ L-Tolerance : N = 30% , M = 20%

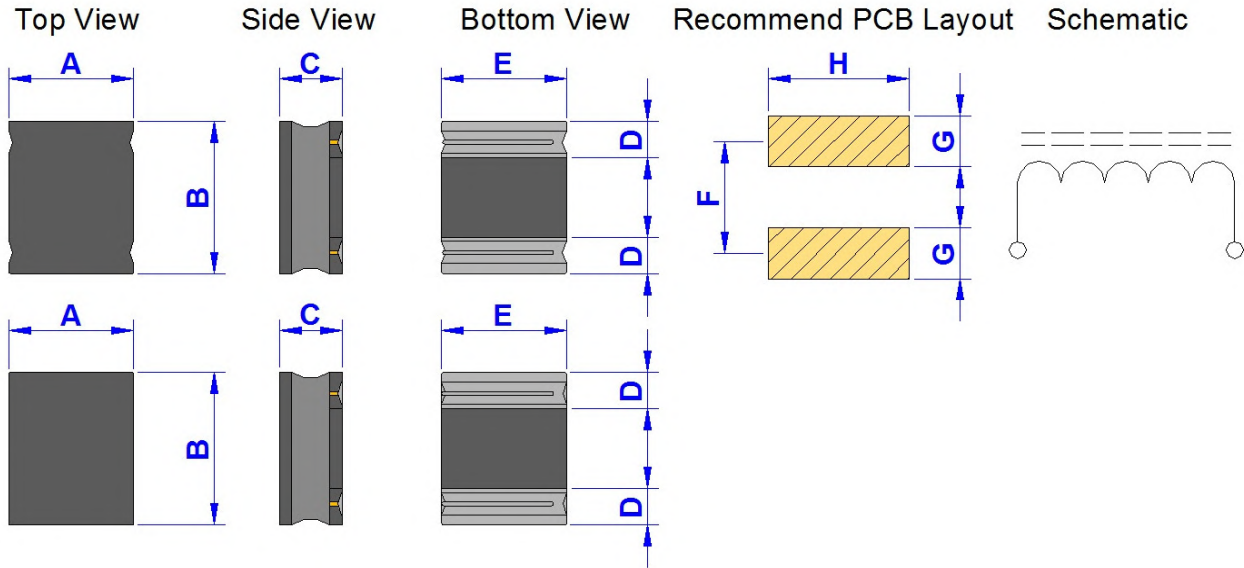
■ The saturation current value (Isat) is the DC current value having inductance decrease 30%. (at 20°C)

■ The temperature rise current value (Iirms) DC current value having temperature increase up to 40deg.C (at 20°C)

Product Series : GNR	Brand : GOTREND
File Version : GNR-SERIES-V7R7	Editor : Teddy Sun
Established Date : 2009.08.19	Description : SMD Shielded Power Inductor
Latest Edit Date : 2020.10.30	Product Type : <input checked="" type="checkbox"/> Standard <input type="checkbox"/> Customize

GNR2512P-SERIES

Dimension [mm] :



Size Code	A (Max.)	B (Max.)	C (Max.)	D (Ref.)	E (Ref.)	F (Ref.)	G (Ref.)	H (Ref.)
2512	2.20	2.70	1.20	0.85	2.10	1.70	0.90	2.10

Electrical Characteristics :

Part No.	Inductance (uH)	L-Tolerance	RDC (m Ohm) Typ.	RDC (m Ohm) Max.	Isat (mA) Typ.	Irms (mA) Typ.
GNR2512P-R47□	0.47	M,N	47.0	56.0	3700	2200
GNR2512P-1R0□	1.00	M,N	73.0	88.0	2700	1800
GNR2512P-1R5□	1.50	M,N	105.0	126.0	2200	1500
GNR2512P-2R2□	2.20	M	129.0	155.0	2000	1300
GNR2512P-3R3□	3.30	M	227.0	272.0	1600	1000
GNR2512P-4R7□	4.70	M	338.0	406.0	1300	810
GNR2512P-5R6□	5.60	M	375.0	450.0	1150	720
GNR2512P-6R8□	6.80	M	510.0	612.0	1100	660
GNR2512P-100□	10.00	M	630.0	756.0	900	590

■ Inductance test Freq. : 1MHz / 0.1V

■ L-Tolerance : N = 30% , M = 20%

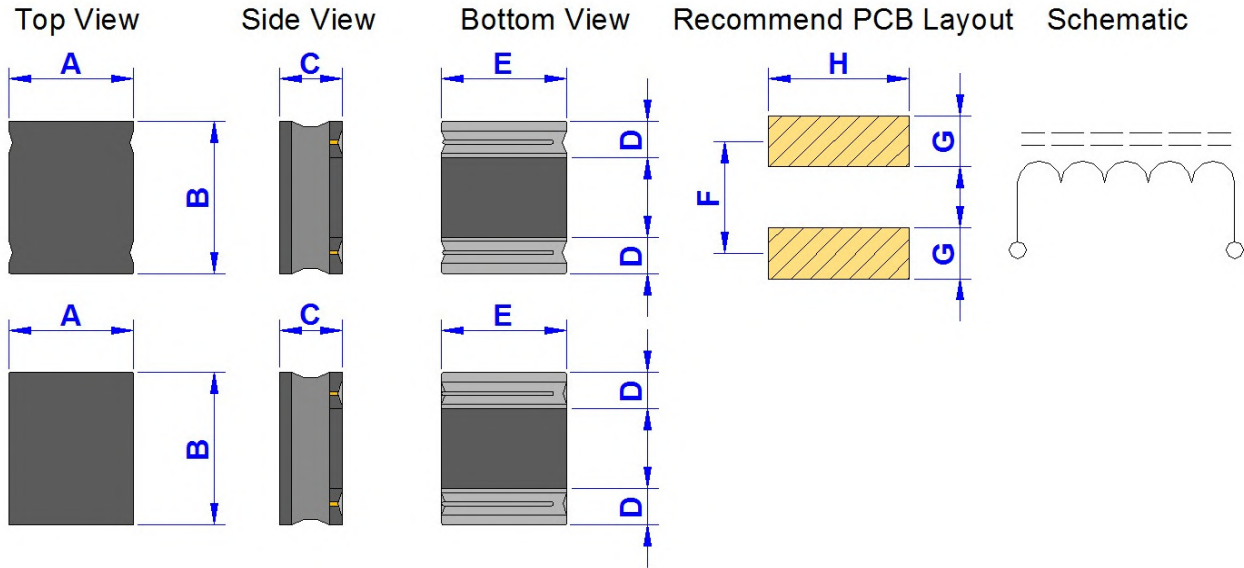
■ The saturation current value (Isat) is the DC current value having inductance decrease 30%. (at 20°C)

■ The temperature rise current value (Iirms) DC current value having temperature increase up to 40deg.C (at 20°C)

Product Series : GNR	Brand : GOTREND
File Version : GNR-SERIES-V7R7	Editor : Teddy Sun
Established Date : 2009.08.19	Description : SMD Shielded Power Inductor
Latest Edit Date : 2020.10.30	Product Type : <input checked="" type="checkbox"/> Standard <input type="checkbox"/> Customize

GNR2512PA-SERIES

Dimension [mm] :



Size Code	A (Max.)	B (Max.)	C (Max.)	D (Ref.)	E (Ref.)	F (Ref.)	G (Ref.)	H (Ref.)
2512	2.20	2.70	1.20	0.85	2.10	1.70	0.90	2.10

Electrical Characteristics :

Part No.	Inductance (uH)	L-Tolerance	RDC (m Ohm) Typ.	RDC (m Ohm) Max.	Isat (mA) Typ.	Irms (mA) Typ.
GNR2512PA-R47□	0.47	M	29.0	39.0	4500	3900
GNR2512PA-R68□	0.68	M	36.0	48.0	4200	3400
GNR2512PA-1R0□	1.00	M	45.0	59.0	3450	3200
GNR2512PA-1R5□	1.50	M	60.0	72.0	2750	2600
GNR2512PA-1R8□	1.80	M	80.0	96.0	2550	2600
GNR2512PA-2R2□	2.20	M	90.0	108.0	2450	2350
GNR2512PA-3R3□	3.30	M	120.0	140.0	2000	1800
GNR2512PA-4R7□	4.70	M	200.0	240.0	1700	1500
GNR2512PA-6R8□	6.80	M	300.0	360.0	1340	1100

■ Inductance test Freq. : 1MHz / 0.1V

■ L-Tolerance : N = 30% , M = 20%

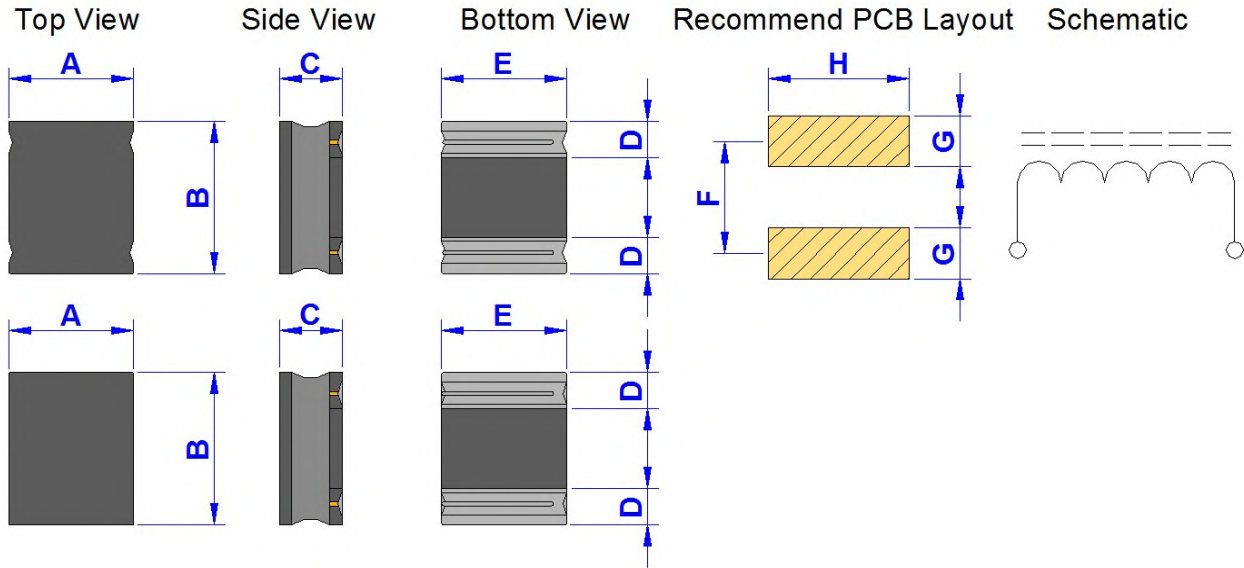
■ The saturation current value (Isat) is the DC current value having inductance decrease 30%. (at 20°C)

■ The temperature rise current value (Iirms) DC current value having temperature increase up to 40deg.C (at 20°C)

Product Series : GNR	Brand : GOTREND
File Version : GNR-SERIES-V7R7	Editor : Teddy Sun
Established Date : 2009.08.19	Description : SMD Shielded Power Inductor
Latest Edit Date : 2020.10.30	Product Type : <input checked="" type="checkbox"/> Standard <input type="checkbox"/> Customize

GNR2512PL-SERIES

Dimension [mm] :



Size Code	A (Max.)	B (Max.)	C (Max.)	D (Ref.)	E (Ref.)	F (Ref.)	G (Ref.)	H (Ref.)
2512	2.20	2.70	1.20	0.85	2.10	1.70	0.90	2.10

Electrical Characteristics :

Part No.	Inductance (uH)	L-Tolerance	RDC (m Ohm) Typ.	RDC (m Ohm) Max.	Isat (mA) Typ.	Irms (mA) Typ.
GNR2512PL-R24□	0.24	M	24.0	29.0	4280	3900
GNR2512PL-R47□	0.47	M	34.0	41.0	3200	3700
GNR2512PL-R68□	0.68	M	42.0	51.0	2750	3300
GNR2512PL-1R0□	1.00	M	50.0	60.0	2550	2600
GNR2512PL-1R5□	1.50	M	72.0	87.0	2100	2200
GNR2512PL-2R2□	2.20	M	96.0	116.0	2000	1850
GNR2512PL-3R3□	3.30	M	140.0	168.0	1450	1450
GNR2512PL-4R7□	4.70	M	210.0	252.0	1280	1200
GNR2512PL-6R8□	6.80	M	406.0	487.0	850	1000
GNR2512PL-8R2□	8.20	M	500.0	600.0	800	820
GNR2512PL-100□	10.00	M	450.0	540.0	720	750
GNR2512PL-220□	22.00	M	1138.0	1366.0	480	500

■ Inductance test Freq. : 1MHz / 0.1V

■ L-Tolerance : N = 30% , M = 20%

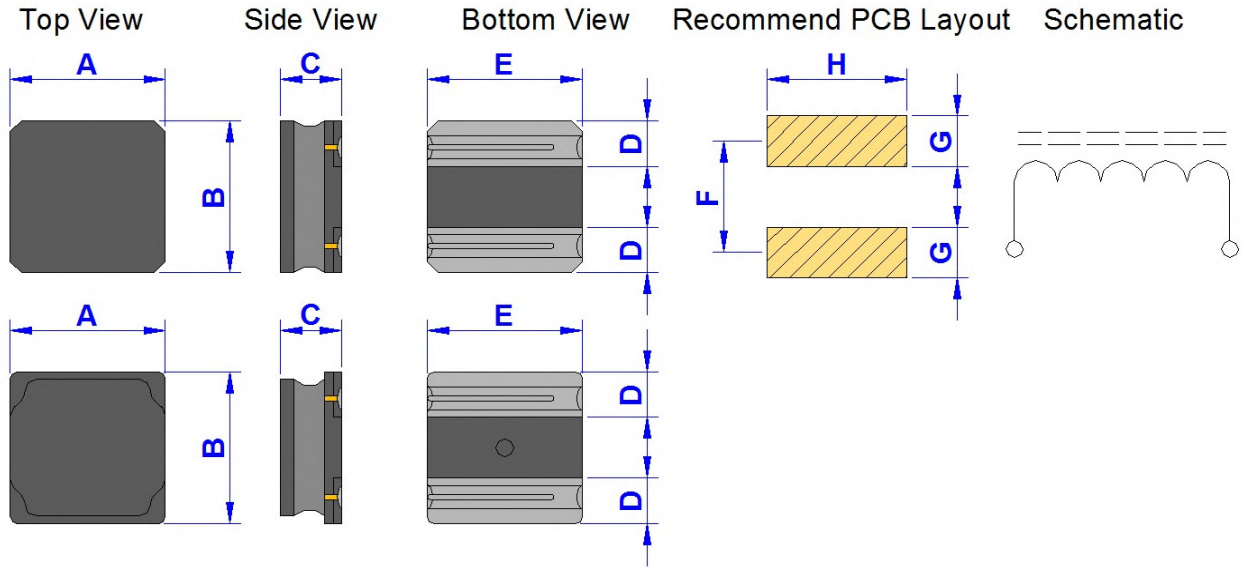
■ The saturation current value (Isat) is the DC current value having inductance decrease 30%. (at 20°C)

■ The temperature rise current value (Irms) DC current value having temperature increase up to 40deg.C (at 20°C)

Product Series : GNR	Brand : GOTREND
File Version : GNR-SERIES-V7R7	Editor : Teddy Sun
Established Date : 2009.08.19	Description : SMD Shielded Power Inductor
Latest Edit Date : 2020.10.30	Product Type : <input checked="" type="checkbox"/> Standard <input type="checkbox"/> Customize

GNR3010P-SERIES

Dimension [mm] :



Size Code	A (Max.)	B (Max.)	C (Max.)	D (Ref.)	E (Ref.)	F (Ref.)	G (Ref.)	H (Ref.)
3010	3.10	3.10	1.00	0.90	2.70	2.20	1.00	2.70

Electrical Characteristics :

Part No.	Inductance (uH)	L-Tolerance	RDC (m Ohm) Typ.	RDC (m Ohm) Max.	Isat (mA) Typ.	Irms (mA) Typ.
GNR3010P-1R0□	1.00	M,N	65.0	78.0	1950	1700
GNR3010P-1R2□	1.20	M,N	80.0	96.0	1900	1650
GNR3010P-1R5□	1.50	M,N	80.0	96.0	1600	1650
GNR3010P-1R8□	1.80	N	88.0	105.0	1520	1520
GNR3010P-2R2□	2.20	M	95.0	114.0	1450	1450
GNR3010P-3R3□	3.30	M	160.0	192.0	1050	1300
GNR3010P-4R7□	4.70	M	190.0	228.0	950	1100
GNR3010P-6R8□	6.80	M	300.0	360.0	760	850
GNR3010P-100□	10.00	M	450.0	540.0	610	720
GNR3010P-150□	15.00	M	740.0	888.0	480	560
GNR3010P-220□	22.00	M	980.0	1176.0	420	500
GNR3010P-330□	33.00	M	1550.0	1860.0	340	415
GNR3010P-470□	47.00	M	2000.0	2400.0	270	320

■ Inductance test Freq. : 1MHz / 0.1V

■ L-Tolerance : N = 30% , M = 20%

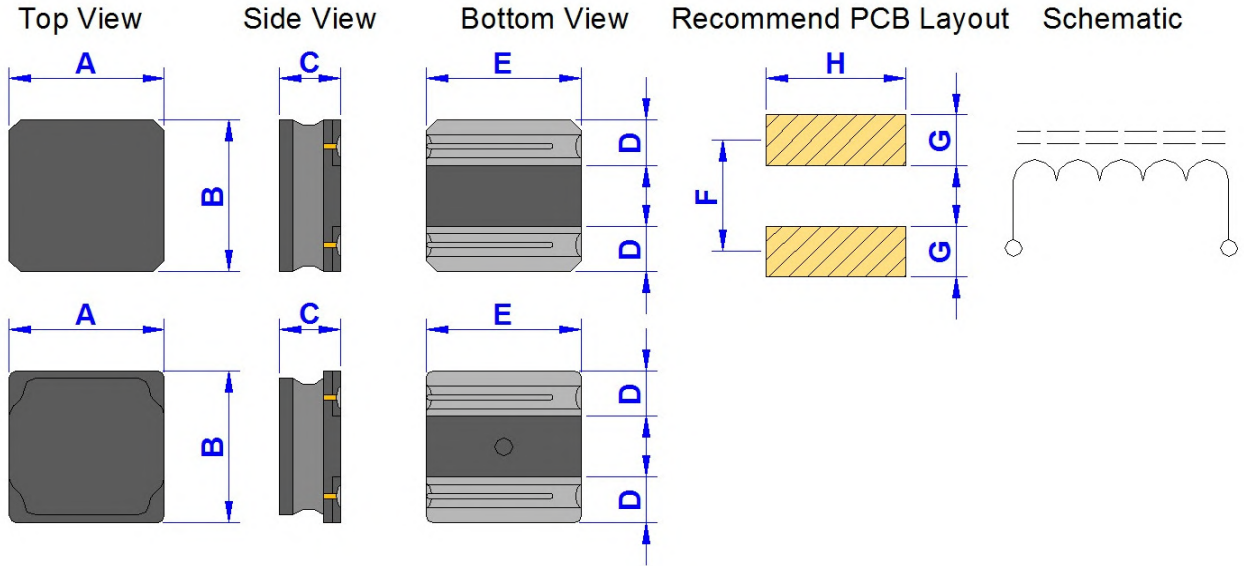
■ The saturation current value (Isat) is the DC current value having inductance decrease 30%. (at 20°C)

■ The temperature rise current value (Iirms) DC current value having temperature increase up to 40deg.C (at 20°C)

Product Series : GNR	Brand : GOTREND
File Version : GNR-SERIES-V7R7	Editor : Teddy Sun
Established Date : 2009.08.19	Description : SMD Shielded Power Inductor
Latest Edit Date : 2020.10.30	Product Type : <input checked="" type="checkbox"/> Standard <input type="checkbox"/> Customize

GNR3012P-SERIES

Dimension [mm] :



Size Code	A (Max.)	B (Max.)	C (Max.)	D (Ref.)	E (Ref.)	F (Ref.)	G (Ref.)	H (Ref.)
3012	3.10	3.10	1.20	0.90	2.70	2.20	1.00	2.70

Electrical Characteristics :

Part No.	Inductance (uH)	L-Tolerance	RDC (m Ohm) Typ.	RDC (m Ohm) Max.	Isat (mA) Typ.	Irms (mA) Typ.
GNR3012P-R50□	0.50	M	35.0	42.0	2800	2800
GNR3012P-1R0□	1.00	M	43.0	52.0	2600	2500
GNR3012P-1R5□	1.50	M	65.0	78.0	2000	1900
GNR3012P-2R2□	2.20	M	82.0	98.0	1900	1700
GNR3012P-3R3□	3.30	M	100.0	120.0	1700	1500
GNR3012P-4R7□	4.70	M	105.0	126.0	1500	1200
GNR3012P-6R8□	6.80	M	170.0	204.0	1200	1000
GNR3012P-100□	10.00	M	250.0	300.0	1000	800
GNR3012P-150□	15.00	M	470.0	564.0	750	650
GNR3012P-220□	22.00	M	630.0	756.0	670	550
GNR3012P-330□	33.00	M	910.0	1092.0	550	460
GNR3012P-470□	47.00	M	1250.0	1500.0	450	350

■ Inductance test Freq. : 1MHz / 0.1V

■ L-Tolerance : M = 20%

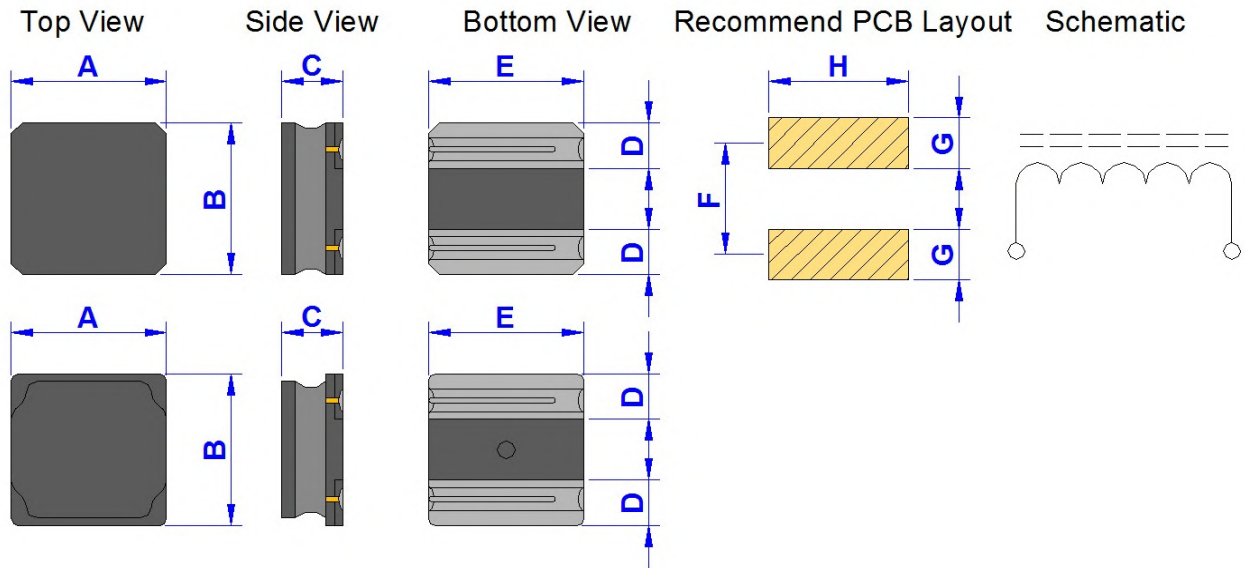
■ The saturation current value (Isat) is the DC current value having inductance decrease 30%. (at 20°C)

■ The temperature rise current value (Irms) DC current value having temperature increase up to 40deg.C (at 20°C)

Product Series : GNR	Brand : GOTREND
File Version : GNR-SERIES-V7R7	Editor : Teddy Sun
Established Date : 2009.08.19	Description : SMD Shielded Power Inductor
Latest Edit Date : 2020.10.30	Product Type : <input checked="" type="checkbox"/> Standard <input type="checkbox"/> Customize

GNR3012PC-SERIES

Dimension [mm] :



Size Code	A (Max.)	B (Max.)	C (Max.)	D (Ref.)	E (Ref.)	F (Ref.)	G (Ref.)	H (Ref.)
3012	3.10	3.10	1.20	0.90	2.70	2.20	1.00	2.70

Electrical Characteristics :

Part No.	Inductance (uH)	L-Tolerance	RDC (m Ohm) Typ.	RDC (m Ohm) Max.	Isat (mA) Typ.	Irms (mA) Typ.
GNR3012PC-1R0□	1.00	N	42.0	50.4	2150	2000
GNR3012PC-1R5□	1.50	N	56.0	67.2	1700	1850
GNR3012PC-2R2□	2.20	M	80.0	96.0	1500	1700
GNR3012PC-3R3□	3.30	M	100.0	120.0	1200	1550
GNR3012PC-4R7□	4.70	M	130.0	156.0	1050	1300
GNR3012PC-6R8□	6.80	M	180.0	216.0	900	1050
GNR3012PC-100□	10.00	M	245.0	294.0	760	890
GNR3012PC-150□	15.00	M	386.0	463.2	620	740
GNR3012PC-220□	22.00	M	580.0	696.0	490	610

■ Inductance test Freq. : 1MHz / 0.1V

■ L-Tolerance : N = 30% , M = 20%

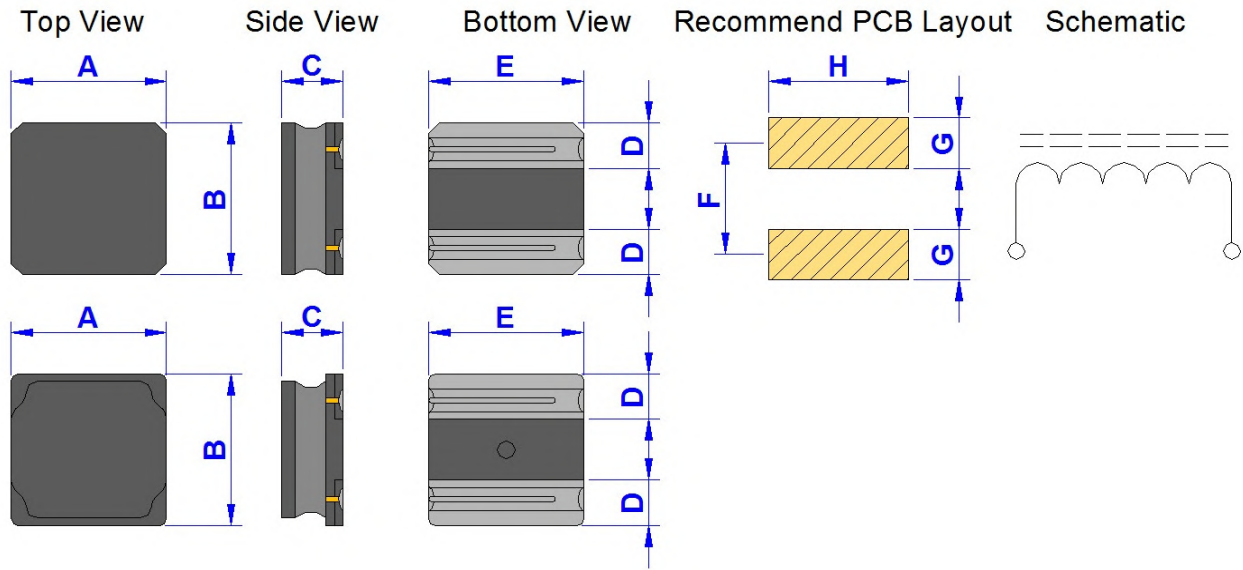
■ The saturation current value (Isat) is the DC current value having inductance decrease 30%. (at 20°C)

■ The temperature rise current value (Iirms) DC current value having temperature increase up to 40deg.C (at 20°C)

Product Series : GNR	Brand : GOTREND
File Version : GNR-SERIES-V7R7	Editor : Teddy Sun
Established Date : 2009.08.19	Description : SMD Shielded Power Inductor
Latest Edit Date : 2020.10.30	Product Type : <input checked="" type="checkbox"/> Standard <input type="checkbox"/> Customize

GNR3015P-SERIES

Dimension [mm] :



Size Code	A (Max.)	B (Max.)	C (Max.)	D (Ref.)	E (Ref.)	F (Ref.)	G (Ref.)	H (Ref.)
3015	3.10	3.10	1.50	0.90	2.70	2.20	1.00	2.70

Electrical Characteristics :

Part No.	Inductance (uH)	L-Tolerance	RDC (m Ohm) Typ.	RDC (m Ohm) Max.	Isat (mA) Typ.	Irms (mA) Typ.
GNR3015P-1R0□	1.00	M,N	40.0	48.0	2350	2350
GNR3015P-1R5□	1.50	M,N	55.0	66.0	2000	2100
GNR3015P-1R8□	1.80	N	60.0	72.0	1830	1950
GNR3015P-2R2□	2.20	M	60.0	72.0	1650	1800
GNR3015P-3R3□	3.30	M	93.0	112.0	1400	1600
GNR3015P-4R7□	4.70	M	113.0	136.0	1200	1400
GNR3015P-5R6□	5.60	M	131.0	157.0	1100	1250
GNR3015P-6R8□	6.80	M	176.0	211.0	1050	1100
GNR3015P-100□	10.00	M	234.0	276.0	880	1000
GNR3015P-150□	15.00	M	352.0	422.0	680	800
GNR3015P-220□	22.00	M	510.0	622.0	580	600
GNR3015P-330□	33.00	M	799.0	959.0	460	500
GNR3015P-470□	47.00	M	1172.0	1406.0	380	400
GNR3015P-101□	100.00	M	2433.0	2920.0	270	290

■ Inductance test Freq. : 1MHz / 0.1V

■ L-Tolerance : N = 30% , M = 20%

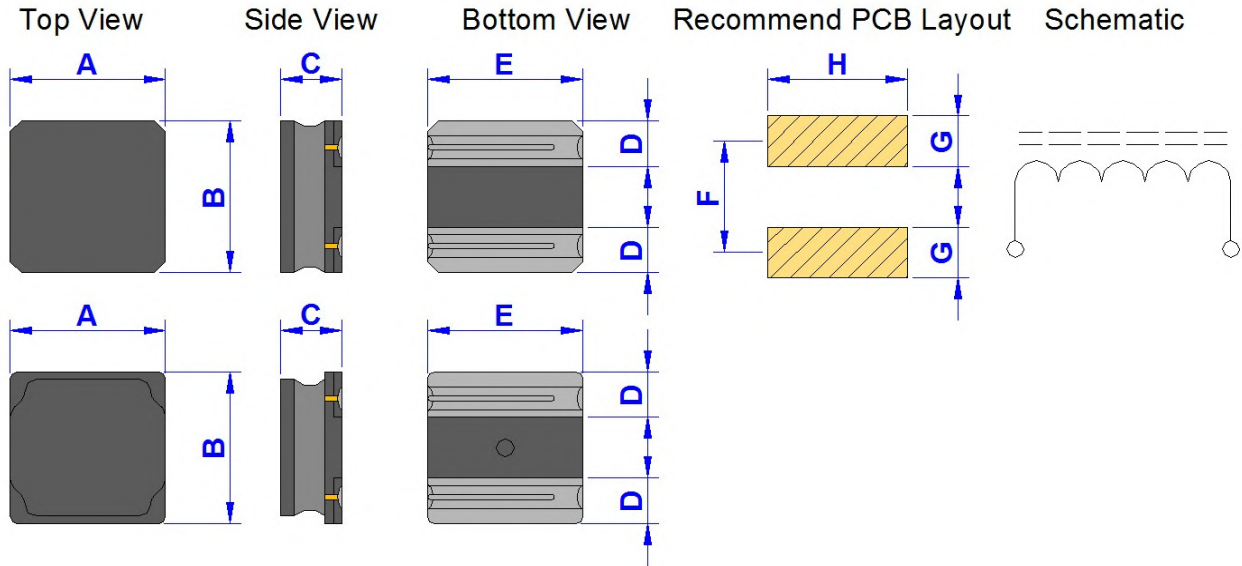
■ The saturation current value (Isat) is the DC current value having inductance decrease 30%. (at 20°C)

■ The temperature rise current value (Irms) DC current value having temperature increase up to 40deg.C (at 20°C)

Product Series : GNR	Brand : GOTREND
File Version : GNR-SERIES-V7R7	Editor : Teddy Sun
Established Date : 2009.08.19	Description : SMD Shielded Power Inductor
Latest Edit Date : 2020.10.30	Product Type : <input checked="" type="checkbox"/> Standard <input type="checkbox"/> Customize

GNR3015PC-SERIES

Dimension [mm] :



Size Code	A (Max.)	B (Max.)	C (Max.)	D (Ref.)	E (Ref.)	F (Ref.)	G (Ref.)	H (Ref.)
3015	3.10	3.10	1.50	0.90	2.70	2.20	1.00	2.70

Electrical Characteristics :

Part No.	Inductance (uH)	L-Tolerance	RDC (m Ohm) Typ.	RDC (m Ohm) Max.	Isat (mA) Typ.	Irms (mA) Typ.
GNR3015PC-1R0□	1.00	N	30.0	36.0	2200	2200
GNR3015PC-1R5□	1.50	N	40.0	48.0	2000	2000
GNR3015PC-2R2□	2.20	M	60.0	72.0	1700	1700
GNR3015PC-3R3□	3.30	M	80.0	96.0	1400	1400
GNR3015PC-4R7□	4.70	M	120.0	144.0	1200	1200
GNR3015PC-6R8□	6.80	M	160.0	192.0	1000	1000
GNR3015PC-100□	10.00	M	220.0	264.0	750	700
GNR3015PC-150□	15.00	M	320.0	360.0	650	600
GNR3015PC-220□	22.00	M	460.0	552.0	550	500
GNR3015PC-330□	33.00	M	800.0	960.0	400	450
GNR3015PC-470□	47.00	M	1200.0	1440.0	350	300

■ Inductance test Freq. : 1MHz / 0.1V

■ L-Tolerance : N = 30% , M = 20%

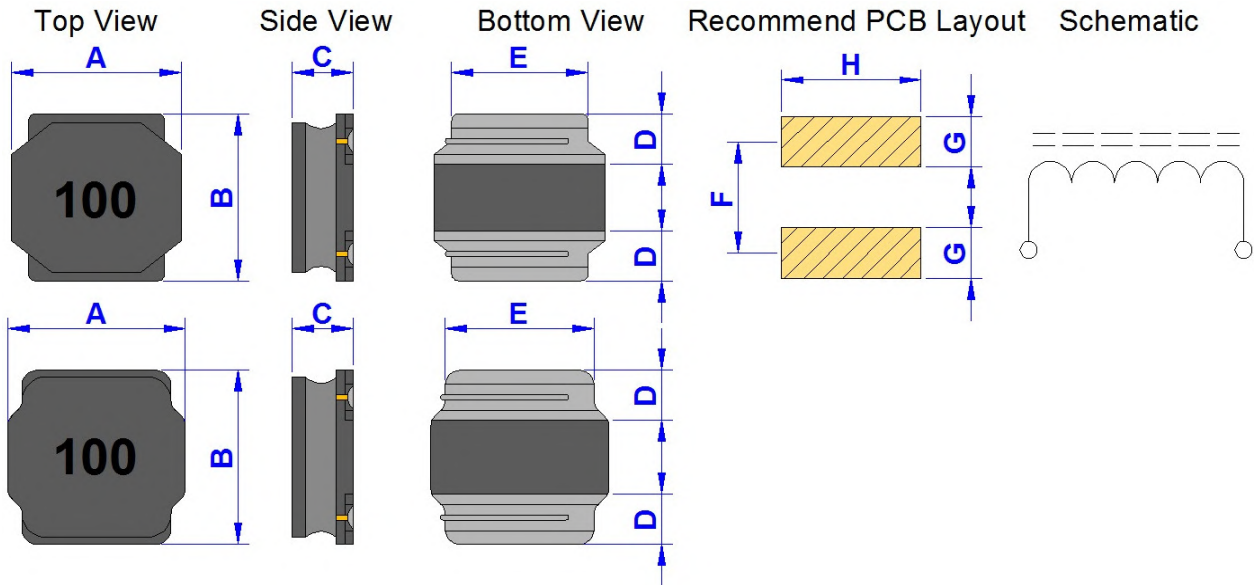
■ The saturation current value (Isat) is the DC current value having inductance decrease 30%. (at 20°C)

■ The temperature rise current value (Irms) DC current value having temperature increase up to 40deg.C (at 20°C)

Product Series : GNR	Brand : GOTREND
File Version : GNR-SERIES-V7R7	Editor : Teddy Sun
Established Date : 2009.08.19	Description : SMD Shielded Power Inductor
Latest Edit Date : 2020.10.30	Product Type : <input checked="" type="checkbox"/> Standard <input type="checkbox"/> Customize

GNR4010P-SERIES

Dimension [mm] :



Size Code	A (Max.)	B (Max.)	C (Max.)	D (Ref.)	E (Ref.)	F (Ref.)	G (Ref.)	H (Ref.)
4010	4.20	4.20	1.00	1.10	3.50	2.80	1.20	3.70

Electrical Characteristics :

Part No.	Inductance (uH)	L-Tolerance	RDC (m Ohm) Typ.	RDC (m Ohm) Max.	Isat (mA) Typ.	Irms (mA) Typ.
GNR4010P-1R0□	1.00	N	100.0	120.0	1800	1050
GNR4010P-2R2□	2.20	N	150.0	180.0	1150	890
GNR4010P-3R3□	3.30	M	180.0	216.0	1100	820
GNR4010P-4R7□	4.70	M	210.0	252.0	900	750
GNR4010P-6R8□	6.80	M	300.0	360.0	740	620
GNR4010P-100□	10.00	M	380.0	456.0	560	600
GNR4010P-150□	15.00	M	510.0	612.0	470	510
GNR4010P-220□	22.00	M	870.0	1044.0	360	400
GNR4010P-330□	33.00	M	1540.0	1848.0	280	300
GNR4010P-470□	47.00	M	1810.0	2172.0	240	280

■ Inductance test Freq. : 100Kz / 0.1V

■ L-Tolerance : N = 30% , M = 20%

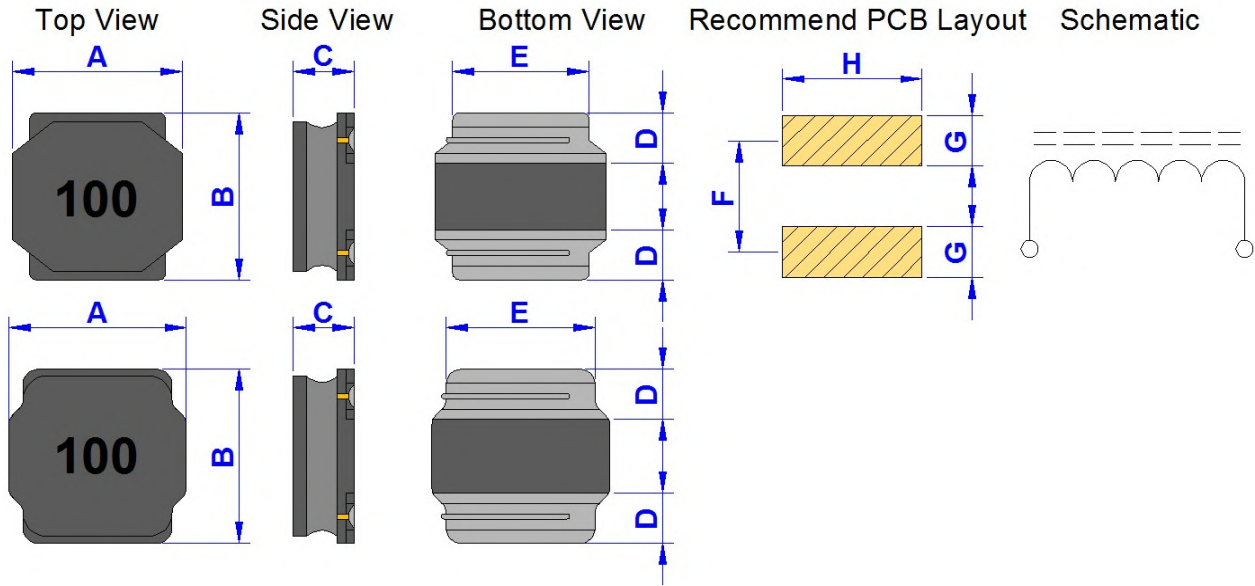
■ The saturation current value (Isat) is the DC current value having inductance decrease 30%. (at 20°C)

■ The temperature rise current value (Iirms) DC current value having temperature increase up to 40deg.C (at 20°C)

Product Series : GNR	Brand : GOTREND
File Version : GNR-SERIES-V7R7	Editor : Teddy Sun
Established Date : 2009.08.19	Description : SMD Shielded Power Inductor
Latest Edit Date : 2020.10.30	Product Type : <input checked="" type="checkbox"/> Standard <input type="checkbox"/> Customize

GNR4018P-SERIES

Dimension [mm] :



Size Code	A (Max.)	B (Max.)	C (Max.)	D (Ref.)	E (Ref.)	F (Ref.)	G (Ref.)	H (Ref.)
4018	4.20	4.20	1.80	1.10	3.50	2.80	1.20	3.70

Electrical Characteristics :

Part No.	Inductance (uH)	L-Tolerance	RDC (m Ohm) Typ.	RDC (m Ohm) Max.	Isat (mA) Typ.	Irms (mA) Typ.
GNR4018P-R56□	0.56	N	22.0	30.0	4500	2200
GNR4018P-1R0□	1.00	N	31.5	42.0	3700	1850
GNR4018P-1R2□	1.20	N	31.5	42.0	3700	1850
GNR4018P-1R5□	1.50	N	40.0	48.0	3500	1700
GNR4018P-2R2□	2.20	M	60.0	72.0	2700	1440
GNR4018P-3R3□	3.30	M	72.0	86.0	2200	1230
GNR4018P-4R7□	4.70	M	80.0	96.0	1700	1200
GNR4018P-6R8□	6.80	M	110.0	132.0	1450	1060
GNR4018P-100□	10.00	M	180.0	216.0	1200	840
GNR4018P-150□	15.00	M	250.0	300.0	940	650
GNR4018P-220□	22.00	M	360.0	432.0	800	590
GNR4018P-330□	33.00	M	530.0	636.0	650	490
GNR4018P-470□	47.00	M	650.0	780.0	570	420
GNR4018P-680□	68.00	M	1000.0	1200.0	470	320
GNR4018P-101□	100.00	M	1500.0	1800.0	400	270
GNR4018P-151□	150.00	M	2500.0	3000.0	310	220
GNR4018P-221□	220.00	M	4000.0	4800.0	270	170

■ Inductance test Freq. : 100Kz / 0.1V

■ L-Tolerance : N = 30% , M = 20%

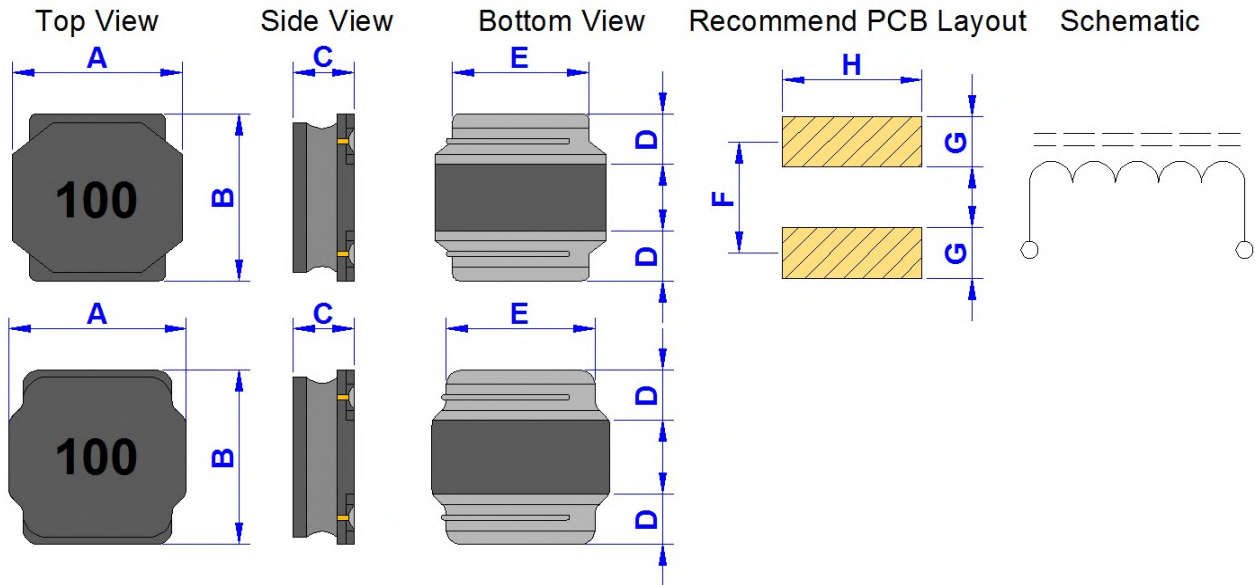
■ The saturation current value (Isat) is the DC current value having inductance decrease 30%. (at 20°C)

■ The temperature rise current value (Irms) DC current value having temperature increase up to 40deg.C (at 20°C)

Product Series : GNR	Brand : GOTREND
File Version : GNR-SERIES-V7R7	Editor : Teddy Sun
Established Date : 2009.08.19	Description : SMD Shielded Power Inductor
Latest Edit Date : 2020.10.30	Product Type : <input checked="" type="checkbox"/> Standard <input type="checkbox"/> Customize

GNR4018PL-SERIES

Dimension [mm] :



Size Code	A (Max.)	B (Max.)	C (Max.)	D (Ref.)	E (Ref.)	F (Ref.)	G (Ref.)	H (Ref.)
4018	4.20	4.20	1.80	1.10	3.50	2.80	1.20	3.70

Electrical Characteristics :

Part No.	Inductance (uH)	L-Tolerance	RDC (m Ohm) Typ.	RDC (m Ohm) Max.	Isat (mA) Typ.	Irms (mA) Typ.
GNR4018PL-R56□	0.56	M	17.0	22.0	5500	5400
GNR4018PL-1R0□	1.00	M	20.0	25.0	3800	3800
GNR4018PL-1R2□	1.20	M	25.0	30.0	3600	3600
GNR4018PL-1R5□	1.50	M	33.0	40.0	3500	3200
GNR4018PL-1R8□	1.80	M	34.0	41.0	3100	3100
GNR4018PL-2R2□	2.20	M	35.0	45.0	3000	3000
GNR4018PL-3R3□	3.30	M	45.0	56.0	2400	2700
GNR4018PL-4R7□	4.70	M	70.0	90.0	2000	2200
GNR4018PL-6R8□	6.80	M	90.0	115.0	1700	1900
GNR4018PL-8R2□	8.20	M	105.0	132.0	1600	1500
GNR4018PL-100□	10.00	M	135.0	170.0	1550	1400
GNR4018PL-150□	15.00	M	185.0	222.0	1000	1250
GNR4018PL-220□	22.00	M	250.0	315.0	830	1200
GNR4018PL-330□	33.00	M	405.0	486.0	680	900
GNR4018PL-470□	47.00	M	495.0	594.0	560	800
GNR4018PL-680□	68.00	M	885.0	1062.0	480	580
GNR4018PL-101□	100.00	M	1545.0	1854.0	450	420
GNR4018PL-221□	220.00	M	3150.0	3780.0	330	300
GNR4018PL-331□	330.00	M	4200.0	5040.0	250	270

■ Inductance test Freq. : 100Kz / 0.1V

■ L-Tolerance : M = 20%

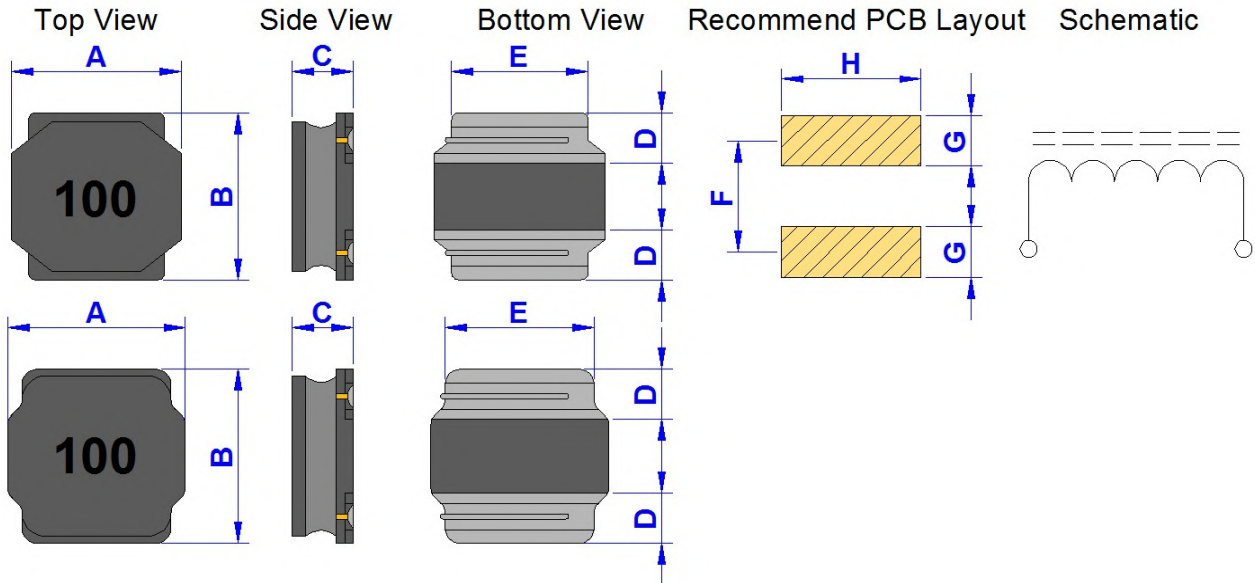
■ The saturation current value (Isat) is the DC current value having inductance decrease 30%. (at 20°C)

■ The temperature rise current value (Iirms) DC current value having temperature increase up to 40deg.C (at 20°C)

Product Series : GNR	Brand : GOTREND
File Version : GNR-SERIES-V7R7	Editor : Teddy Sun
Established Date : 2009.08.19	Description : SMD Shielded Power Inductor
Latest Edit Date : 2020.10.30	Product Type : <input checked="" type="checkbox"/> Standard <input type="checkbox"/> Customize

GNR4020P-SERIES

Dimension [mm] :



Size Code	A (Max.)	B (Max.)	C (Max.)	D (Ref.)	E (Ref.)	F (Ref.)	G (Ref.)	H (Ref.)
4020	4.20	4.20	2.00	1.10	3.50	2.80	1.20	3.70

Electrical Characteristics :

Part No.	Inductance (uH)	L-Tolerance	RDC (m Ohm) Typ.	RDC (m Ohm) Max.	Isat (mA) Typ.	Irms (mA) Typ.
GNR4020P-1R0□	1.00	N	32.0	38.4	4100	2800
GNR4020P-1R2□	1.20	N	32.0	38.4	4000	2700
GNR4020P-2R2□	2.20	N	60.0	72.0	2800	2500
GNR4020P-3R3□	3.30	M,N	70.0	84.0	2200	2100
GNR4020P-4R7□	4.70	M,N	90.0	108.0	2000	1700
GNR4020P-6R8□	6.80	M	110.0	132.0	1600	1500
GNR4020P-100□	10.00	M	170.0	204.0	1400	1200
GNR4020P-150□	15.00	M	250.0	300.0	1000	1000
GNR4020P-220□	22.00	M	350.0	420.0	900	850
GNR4020P-330□	33.00	M	530.0	636.0	800	700
GNR4020P-470□	47.00	M	720.0	864.0	700	560
GNR4020P-680□	68.00	M	1000.0	1200.0	560	450
GNR4020P-101□	100.00	M	1500.0	1800.0	460	380
GNR4020P-151□	150.00	M	2500.0	3000.0	350	300
GNR4020P-221□	220.00	M	4000.0	4800.0	280	230

■ Inductance test Freq. : 100Kz / 0.1V

■ L-Tolerance : N = 30% , M = 20%

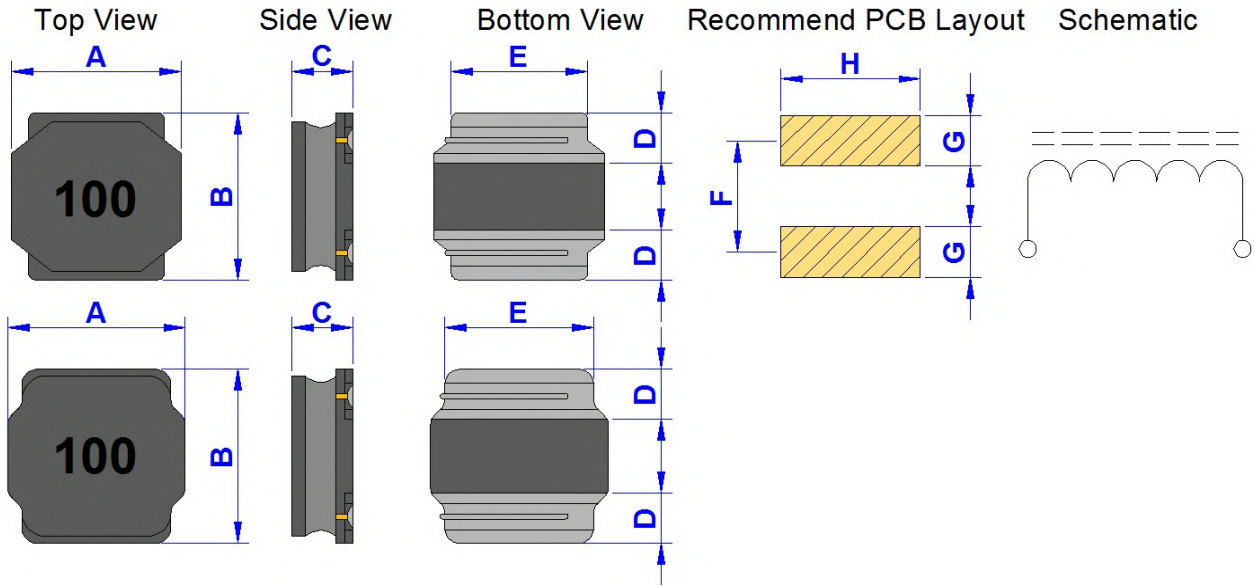
■ The saturation current value (Isat) is the DC current value having inductance decrease 30%. (at 20°C)

■ The temperature rise current value (Irms) DC current value having temperature increase up to 40deg.C (at 20°C)

Product Series : GNR	Brand : GOTREND
File Version : GNR-SERIES-V7R7	Editor : Teddy Sun
Established Date : 2009.08.19	Description : SMD Shielded Power Inductor
Latest Edit Date : 2020.10.30	Product Type : <input checked="" type="checkbox"/> Standard <input type="checkbox"/> Customize

GNR4030P-SERIES

Dimension [mm] :



Size Code	A (Max.)	B (Max.)	C (Max.)	D (Ref.)	E (Ref.)	F (Ref.)	G (Ref.)	H (Ref.)
4030	4.30	4.30	3.00	1.10	3.30	3.00	1.10	3.70

Electrical Characteristics :

Part No.	Inductance (uH)	L-Tolerance	RDC (m Ohm) Typ.	RDC (m Ohm) Max.	Isat (mA) Typ.	Irms (mA) Typ.
GNR4030P-1R0□	1.00	N	15.0	19.5	5900	3400
GNR4030P-1R5□	1.50	N	25.0	32.5	4850	3300
GNR4030P-2R2□	2.20	M	35.0	45.5	4100	2950
GNR4030P-3R3□	3.30	M	40.0	52.0	3300	2400
GNR4030P-3R9□	3.90	M	57.0	74.1	3000	2100
GNR4030P-4R7□	4.70	M	60.0	78.0	2900	2000
GNR4030P-5R6□	5.60	M	70.0	91.0	2750	1950
GNR4030P-6R8□	6.80	M	75.0	97.5	2600	1700
GNR4030P-7R5□	7.50	M	90.0	117.0	2200	1650
GNR4030P-8R2□	8.20	M	100.0	130.0	2100	1600
GNR4030P-100□	10.00	M	115.0	149.5	1950	1500
GNR4030P-120□	12.00	M	140.0	182.0	1700	1350
GNR4030P-150□	15.00	M	190.0	247.0	1650	1150
GNR4030P-180□	18.00	M	215.0	279.5	1400	1100
GNR4030P-220□	22.00	M	225.0	292.5	1300	1000
GNR4030P-330□	33.00	M	330.0	429.0	1100	840
GNR4030P-470□	47.00	M	500.0	650.0	900	720
GNR4030P-560□	56.00	M	560.0	728.0	850	650
GNR4030P-680□	68.00	M	750.0	975.0	750	550
GNR4030P-820□	82.00	M	950.0	1235.0	680	500
GNR4030P-101□	100.00	M	1150.0	1495.0	600	450
GNR4030P-151□	150.00	M	2350.0	3055.0	500	350

■ Inductance test Freq. : 100Kz / 0.1V

■ L-Tolerance : N = 30% , M = 20%

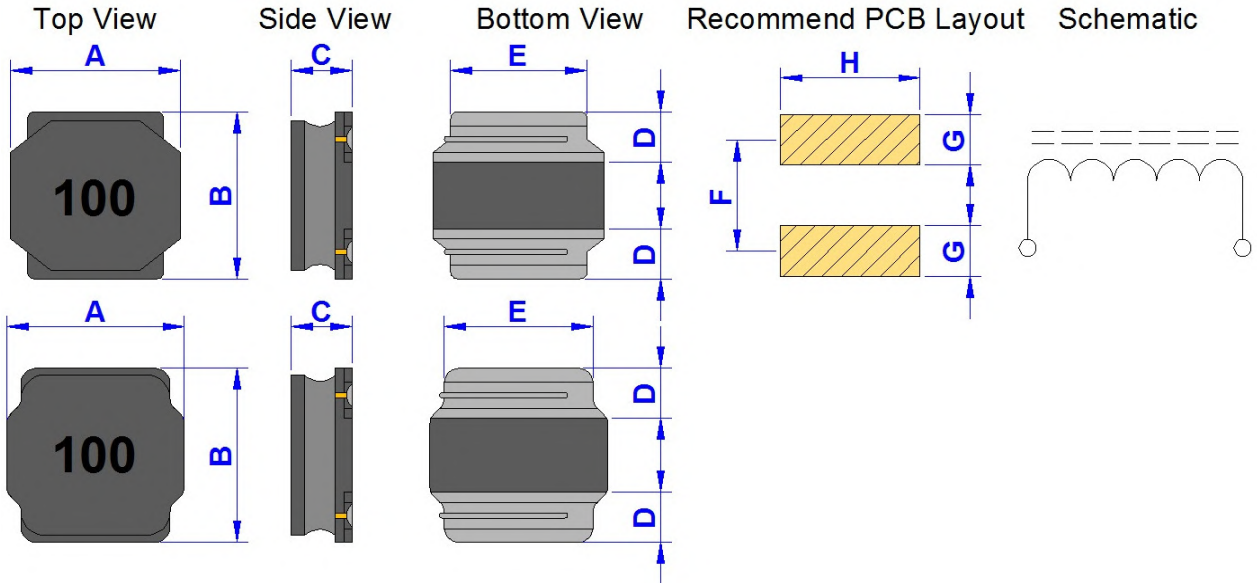
■ The saturation current value (Isat) is the DC current value having inductance decrease 30%. (at 20°C)

■ The temperature rise current value (Irms) DC current value having temperature increase up to 40deg.C (at 20°C)

Product Series : GNR	Brand : GOTREND
File Version : GNR-SERIES-V7R7	Editor : Teddy Sun
Established Date : 2009.08.19	Description : SMD Shielded Power Inductor
Latest Edit Date : 2020.10.30	Product Type : <input checked="" type="checkbox"/> Standard <input type="checkbox"/> Customize

GNR5014P-SERIES

Dimension [mm] :



Size Code	A (Max.)	B (Max.)	C (Max.)	D (Ref.)	E (Ref.)	F (Ref.)	G (Ref.)	H (Ref.)
5014	5.20	5.20	1.40	1.00	4.80	3.80	1.40	5.00

Electrical Characteristics :

Part No.	Inductance (uH)	L-Tolerance	RDC (m Ohm) Typ.	RDC (m Ohm) Max.	Isat (mA) Typ.	Irms (mA) Typ.
GNR5014P-1R0□	1.00	N	45.0	54.0	3800	2400
GNR5014P-1R2□	1.20	N	45.0	54.0	3800	2400
GNR5014P-1R5□	1.50	M	55.0	71.5	3000	2100
GNR5014P-2R2□	2.20	N	65.0	78.0	2800	2000
GNR5014P-3R3□	3.30	N	80.0	96.0	2350	1700
GNR5014P-4R7□	4.70	N	100.0	120.0	2050	1400
GNR5014P-6R8□	6.80	M	150.0	180.0	1600	1200
GNR5014P-100□	10.00	M	200.0	240.0	1400	1050

■ Inductance test Freq. : 100Kz / 0.1V

■ L-Tolerance : N = 30% , M = 20%

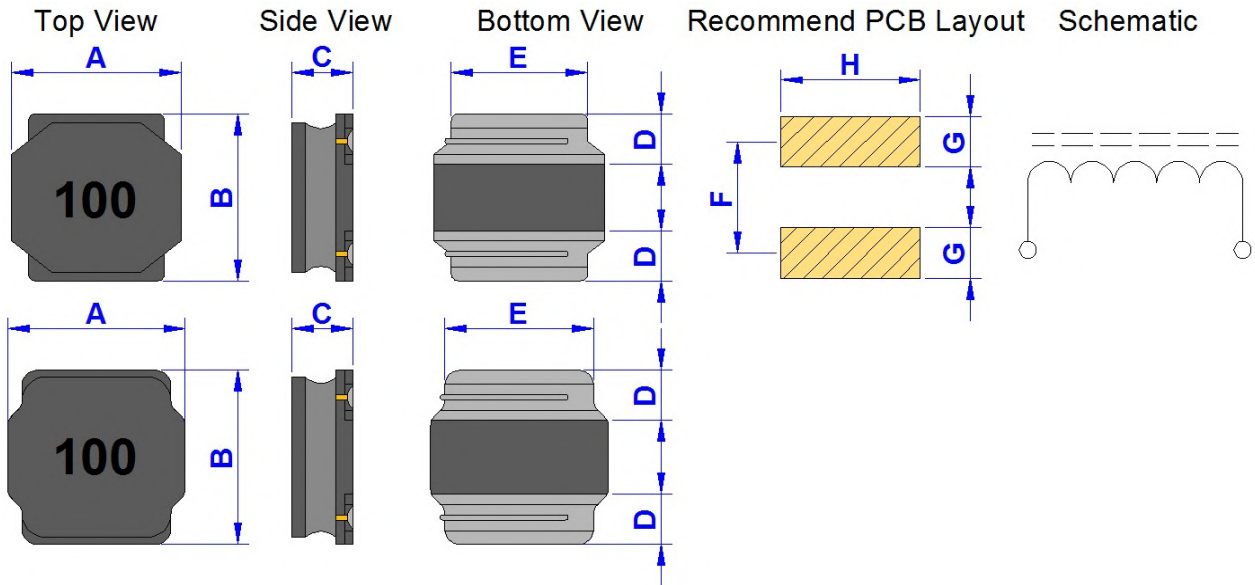
■ The saturation current value (Isat) is the DC current value having inductance decrease 30%. (at 20°C)

■ The temperature rise current value (Iirms) DC current value having temperature increase up to 40deg.C (at 20°C)

Product Series : GNR	Brand : GOTREND
File Version : GNR-SERIES-V7R7	Editor : Teddy Sun
Established Date : 2009.08.19	Description : SMD Shielded Power Inductor
Latest Edit Date : 2020.10.30	Product Type : <input checked="" type="checkbox"/> Standard <input type="checkbox"/> Customize

GNR5020P-SERIES

Dimension [mm] :



Size Code	A (Max.)	B (Max.)	C (Max.)	D (Ref.)	E (Ref.)	F (Ref.)	G (Ref.)	H (Ref.)
5020	5.20	5.20	2.00	1.00	4.80	3.80	1.40	5.00

Electrical Characteristics :

Part No.	Inductance (uH)	L-Tolerance	RDC (m Ohm) Typ.	RDC (m Ohm) Max.	Isat (mA) Typ.	Irms (mA) Typ.
GNR5020P-R68□	0.68	N	14.2	18.2	5000	4000
GNR5020P-1R0□	1.00	N	18.5	21.0	4400	3600
GNR5020P-1R5□	1.50	N	22.5	26.0	3500	3200
GNR5020P-2R0□	2.00	N	27.0	35.0	3200	2900
GNR5020P-2R2□	2.20	N	27.0	35.0	3000	2900
GNR5020P-3R3□	3.30	M	40.0	48.0	2600	2400
GNR5020P-4R7□	4.70	M	55.0	60.0	2000	2000
GNR5020P-6R8□	6.80	M	80.0	90.0	1600	1650
GNR5020P-100□	10.00	M	105.0	120.0	1300	1450
GNR5020P-150□	15.00	M	148.0	165.0	1100	1200
GNR5020P-220□	22.00	M	220.0	260.0	900	1000
GNR5020P-330□	33.00	M	340.0	380.0	800	760
GNR5020P-470□	47.00	M	590.0	760.0	600	580

■ Inductance test Freq. : 100Kz / 0.1V

■ L-Tolerance : N = 30% , M = 20%

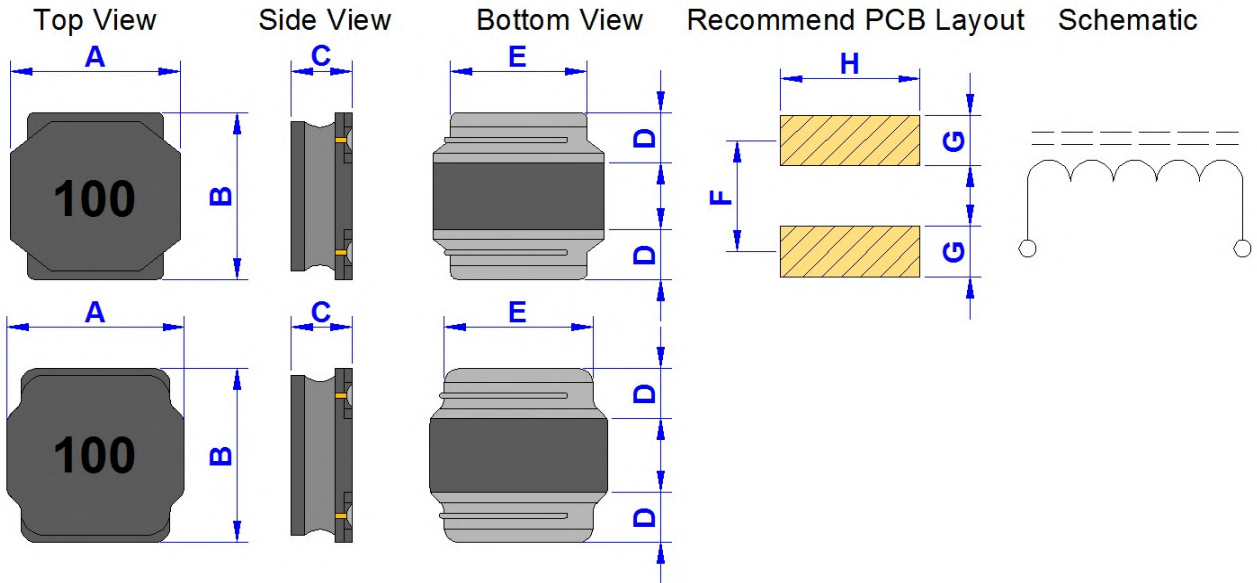
■ The saturation current value (Isat) is the DC current value having inductance decrease 30%. (at 20°C)

■ The temperature rise current value (Irms) DC current value having temperature increase up to 40deg.C (at 20°C)

Product Series : GNR	Brand : GOTREND
File Version : GNR-SERIES-V7R7	Editor : Teddy Sun
Established Date : 2009.08.19	Description : SMD Shielded Power Inductor
Latest Edit Date : 2020.10.30	Product Type : <input checked="" type="checkbox"/> Standard <input type="checkbox"/> Customize

GNR5040P-SERIES

Dimension [mm] :



Size Code	A (Max.)	B (Max.)	C (Max.)	D (Ref.)	E (Ref.)	F (Ref.)	G (Ref.)	H (Ref.)
5040	5.30	5.30	4.00	1.00	4.80	3.80	1.40	5.00

Electrical Characteristics :

Part No.	Inductance (uH)	L-Tolerance	RDC (m Ohm) Typ.	RDC (m Ohm) Max.	Isat (mA) Typ.	Irms (mA) Typ.
GNR5040P-1R5□	1.50	N	20.0	26.0	6000	3600
GNR5040P-2R2□	2.20	N	22.0	28.6	4600	3500
GNR5040P-3R3□	3.30	M / N	27.0	35.1	3800	3300
GNR5040P-3R6□	3.60	N	27.0	35.1	3720	3200
GNR5040P-4R7□	4.70	M	29.0	37.7	3300	3100
GNR5040P-6R8□	6.80	M	49.0	63.7	2600	2300
GNR5040P-100□	10.00	M	56.0	72.8	2300	2100
GNR5040P-150□	15.00	M	80.0	104.0	2000	1800
GNR5040P-220□	22.00	M	126.0	163.8	1600	1400
GNR5040P-330□	33.00	M	180.0	234.0	1300	1200
GNR5040P-470□	47.00	M	310.0	403.0	1100	900
GNR5040P-102□	1000.00	M	6500.0	8450.0	210	190

■ Inductance test Freq. : 100Kz / 0.1V

■ L-Tolerance : N = 30% , M = 20%

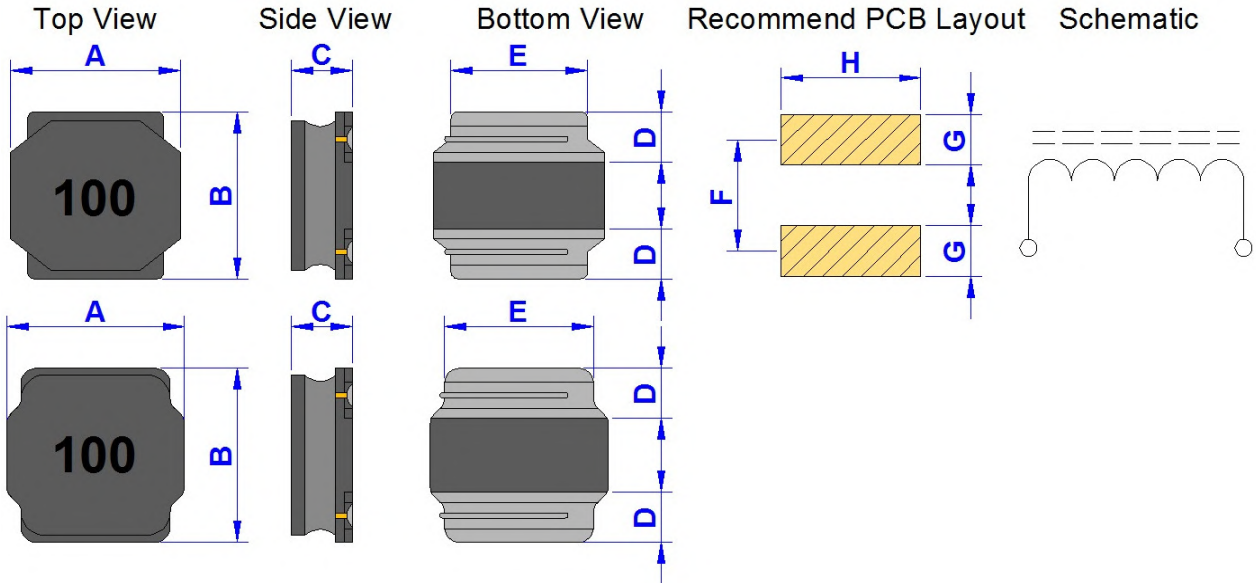
■ The saturation current value (Isat) is the DC current value having inductance decrease 30%. (at 20°C)

■ The temperature rise current value (Irms) DC current value having temperature increase up to 40deg.C (at 20°C)

Product Series : GNR	Brand : GOTREND
File Version : GNR-SERIES-V7R7	Editor : Teddy Sun
Established Date : 2009.08.19	Description : SMD Shielded Power Inductor
Latest Edit Date : 2020.10.30	Product Type : <input checked="" type="checkbox"/> Standard <input type="checkbox"/> Customize

GNR6012P-SERIES

Dimension [mm] :



Size Code	A (Max.)	B (Max.)	C (Max.)	D (Ref.)	E (Ref.)	F (Ref.)	G (Ref.)	H (Ref.)
6012	6.20	6.20	1.20	1.15	5.10	4.70	1.60	5.70

Electrical Characteristics :

Part No.	Inductance (uH)	L-Tolerance	RDC (m Ohm) Typ.	RDC (m Ohm) Max.	Isat (mA) Typ.	Irms (mA) Typ.
GNR6012P-1R0□	1.00	N	50.0	65.0	2800	2300
GNR6012P-1R5□	1.50	N	65.0	85.0	2400	2000
GNR6012P-2R2□	2.20	N	75.0	100.0	2200	1800
GNR6012P-2R5□	2.50	N	90.0	108.0	2100	1730
GNR6012P-3R3□	3.30	M	100.0	120.0	2000	1640
GNR6012P-4R0□	4.00	N	105.0	126.0	1800	1570
GNR6012P-4R7□	4.70	N	110.0	145.0	1600	1450
GNR6012P-5R3□	5.30	M	115.0	150.0	1500	1400
GNR6012P-6R8□	6.80	M	165.0	198.0	1300	1180
GNR6012P-100□	10.00	M	235.0	282.0	1000	1000
GNR6012P-150□	15.00	M	330.0	396.0	800	790
GNR6012P-220□	22.00	M	530.0	636.0	760	630
GNR6012P-330□	33.00	M	700.0	840.0	590	530
GNR6012P-470□	47.00	M	1050.0	1260.0	520	460
GNR6012P-680□	68.00	M	1350.0	1620.0	440	410
GNR6012P-101□	100.00	M	2180.0	2616.0	350	320

■ Inductance test Freq. : 100Kz / 0.1V

■ L-Tolerance : N = 30% , M = 20%

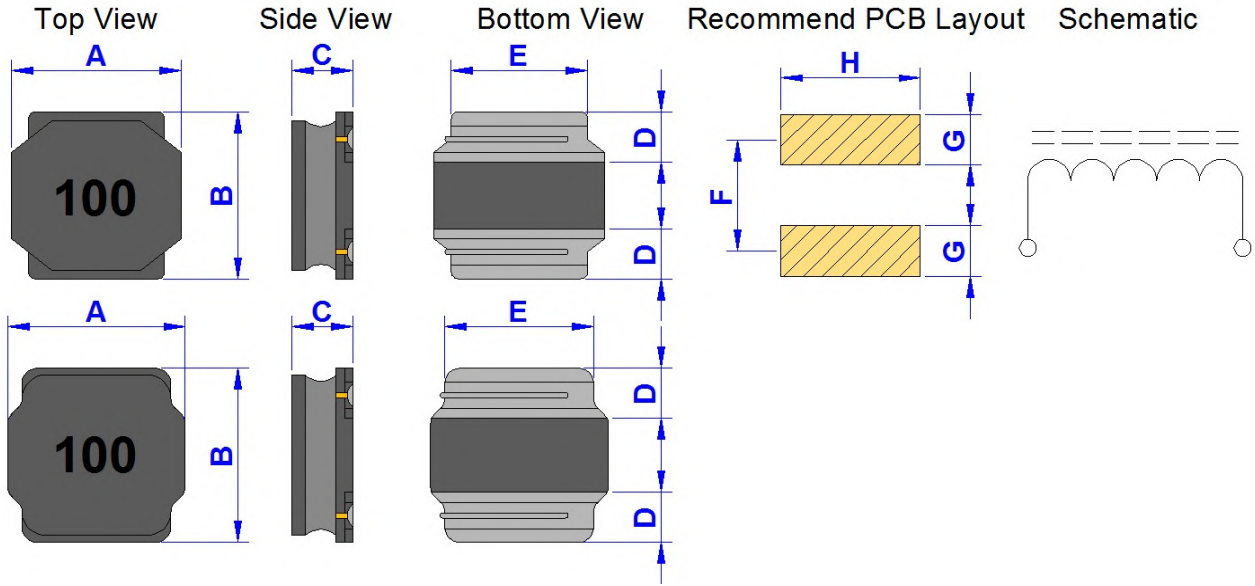
■ The saturation current value (Isat) is the DC current value having inductance decrease 30%. (at 20°C)

■ The temperature rise current value (Iirms) DC current value having temperature increase up to 40deg.C (at 20°C)

Product Series : GNR	Brand : GOTREND
File Version : GNR-SERIES-V7R7	Editor : Teddy Sun
Established Date : 2009.08.19	Description : SMD Shielded Power Inductor
Latest Edit Date : 2020.10.30	Product Type : <input checked="" type="checkbox"/> Standard <input type="checkbox"/> Customize

GNR6020P-SERIES

Dimension [mm] :



Size Code	A (Max.)	B (Max.)	C (Max.)	D (Ref.)	E (Ref.)	F (Ref.)	G (Ref.)	H (Ref.)
6020	6.20	6.20	2.00	1.15	5.10	4.70	1.60	5.70

Electrical Characteristics :

Part No.	Inductance (uH)	L-Tolerance	RDC (m Ohm) Typ.	RDC (m Ohm) Max.	Isat (mA) Typ.	Irms (mA) Typ.
GNR6020P-R80□	0.8	N	16.0	21.0	4500	5100
GNR6020P-1R0□	1.0	N	21.0	27.3	4200	4000
GNR6020P-1R5□	1.5	M / N	26.0	33.8	4000	3200
GNR6020P-2R2□	2.2	N	34.0	44.2	3200	2700
GNR6020P-3R3□	3.3	M	40.0	52.0	2800	2600
GNR6020P-4R7□	4.7	N	48.0	62.4	2400	2000
GNR6020P-6R8□	6.8	M	85.0	110.5	2000	1800
GNR6020P-100□	10.0	M	125.0	162.5	1700	1400
GNR6020P-220□	22.0	M	220.0	290.0	1050	900
GNR6020P-330□	33.0	M	260.0	450.0	900	800
GNR6020P-470□	47.0	M	430.0	560.0	850	650

■ Inductance test Freq. : 100Kz / 0.1V

■ L-Tolerance : N = 30% , M = 20%

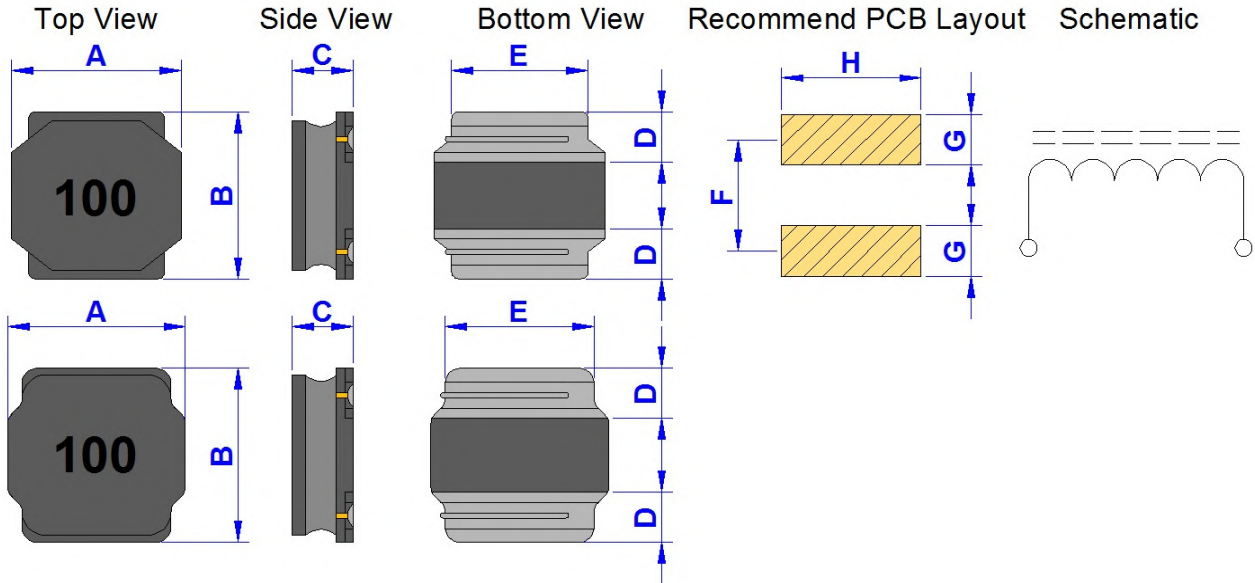
■ The saturation current value (Isat) is the DC current value having inductance decrease 30%. (at 20°C)

■ The temperature rise current value (Irms) DC current value having temperature increase up to 40deg.C (at 20°C)

Product Series : GNR	Brand : GOTREND
File Version : GNR-SERIES-V7R7	Editor : Teddy Sun
Established Date : 2009.08.19	Description : SMD Shielded Power Inductor
Latest Edit Date : 2020.10.30	Product Type : <input checked="" type="checkbox"/> Standard <input type="checkbox"/> Customize

GNR6028P-SERIES

Dimension [mm] :



Size Code	A (Max.)	B (Max.)	C (Max.)	D (Ref.)	E (Ref.)	F (Ref.)	G (Ref.)	H (Ref.)
6028	6.20	6.20	2.80	1.15	5.10	4.70	1.60	5.70

Electrical Characteristics :

Part No.	Inductance (uH)	L-Tolerance	RDC (m Ohm) Typ.	RDC (m Ohm) Max.	Isat (mA) Typ.	Irms (mA) Typ.
GNR6028P-R90□	0.90	N	13.0	16.9	6600	4600
GNR6028P-1R5□	1.50	N	16.0	20.8	5000	4200
GNR6028P-2R2□	2.20	N	20.0	26.0	4200	3700
GNR6028P-3R0□	3.00	N	23.0	29.9	3600	3400
GNR6028P-4R7□	4.70	M	31.0	40.3	2700	3000
GNR6028P-6R0□	6.00	M	40.0	52.0	2500	2500
GNR6028P-100□	10.00	M	65.0	84.5	1900	1900
GNR6028P-150□	15.00	M	95.0	123.5	1600	1800
GNR6028P-220□	22.00	M	135.0	175.5	1300	1400
GNR6028P-330□	33.00	M	220.0	286.0	1100	1100
GNR6028P-470□	47.00	M	300.0	390.0	950	920
GNR6028P-680□	68.00	M	420.0	546.0	760	770
GNR6028P-101□	100.00	M	600.0	780.0	620	660

■ Inductance test Freq. : 100Kz / 0.1V

■ L-Tolerance : N = 30% , M = 20%

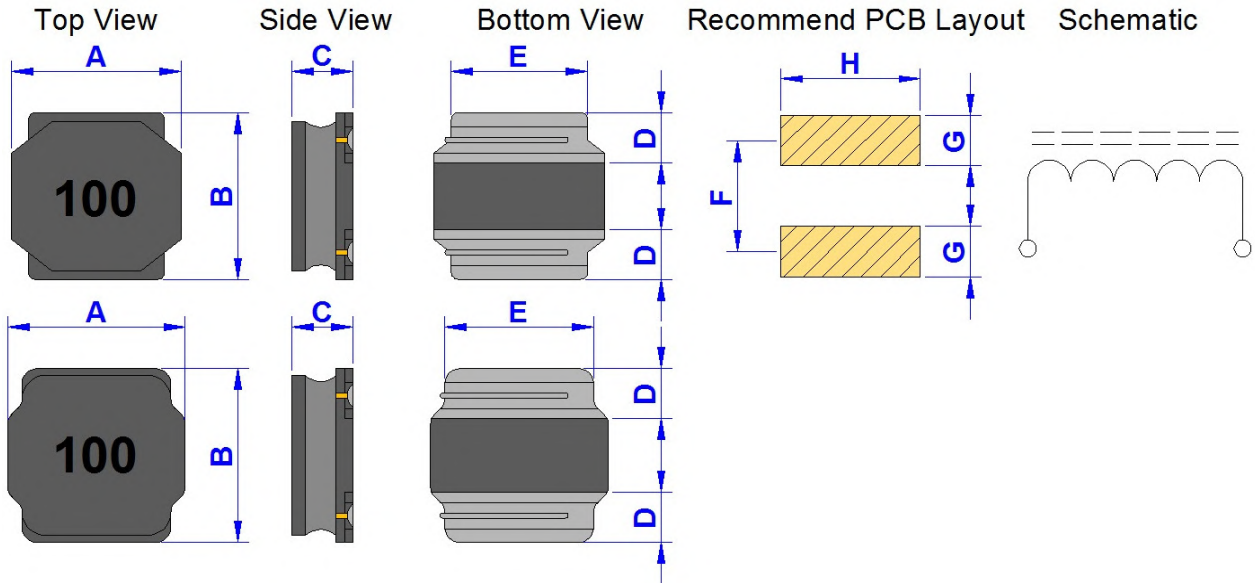
■ The saturation current value (Isat) is the DC current value having inductance decrease 30%. (at 20°C)

■ The temperature rise current value (Iirms) DC current value having temperature increase up to 40deg.C (at 20°C)

Product Series : GNR	Brand : GOTREND
File Version : GNR-SERIES-V7R7	Editor : Teddy Sun
Established Date : 2009.08.19	Description : SMD Shielded Power Inductor
Latest Edit Date : 2020.10.30	Product Type : <input checked="" type="checkbox"/> Standard <input type="checkbox"/> Customize

GNR6040P-SERIES

Dimension [mm] :



Size Code	A (Max.)	B (Max.)	C (Max.)	D (Ref.)	E (Ref.)	F (Ref.)	G (Ref.)	H (Ref.)
6040	6.20	6.20	4.00	1.15	5.10	4.70	1.60	5.70

Electrical Characteristics :

Part No.	Inductance (uH)	L-Tolerance	RDC (m Ohm) Typ.	RDC (m Ohm) Max.	Isat (mA) Typ.	Irms (mA) Typ.
GNR6040P-2R2□	2.20	M	15.0	18.0	7000	5900
GNR6040P-4R7□	4.70	M	23.0	29.0	4700	4200
GNR6040P-6R8□	6.80	M	32.0	40.0	3700	3300
GNR6040P-8R2□	8.20	M	39.0	47.0	3300	2970
GNR6040P-100□	10.00	M	40.0	50.0	3200	2800
GNR6040P-120□	12.00	M	55.0	69.0	2800	2500
GNR6040P-150□	15.00	M	70.0	88.0	2500	2200
GNR6040P-220□	22.00	M	98.0	122.0	2000	1800
GNR6040P-330□	33.00	M	137.0	172.0	1700	1500
GNR6040P-470□	47.00	M	200.0	250.0	1400	1200
GNR6040P-560□	56.00	M	245.0	306.0	1300	1150
GNR6040P-680□	68.00	M	289.0	362.0	1200	1100
GNR6040P-101□	100.00	M	425.0	532.0	1000	900
GNR6040P-121□	120.00	M	484.0	605.0	920	820
GNR6040P-151□	150.00	M	580.0	725.0	840	750
GNR6040P-221□	220.00	M	834.0	1043.0	710	640
GNR6040P-331□	330.00	M	1270.0	1580.0	580	520

■ Inductance test Freq. : 100Kz / 0.1V

■ L-Tolerance : N = 30% , M = 20%

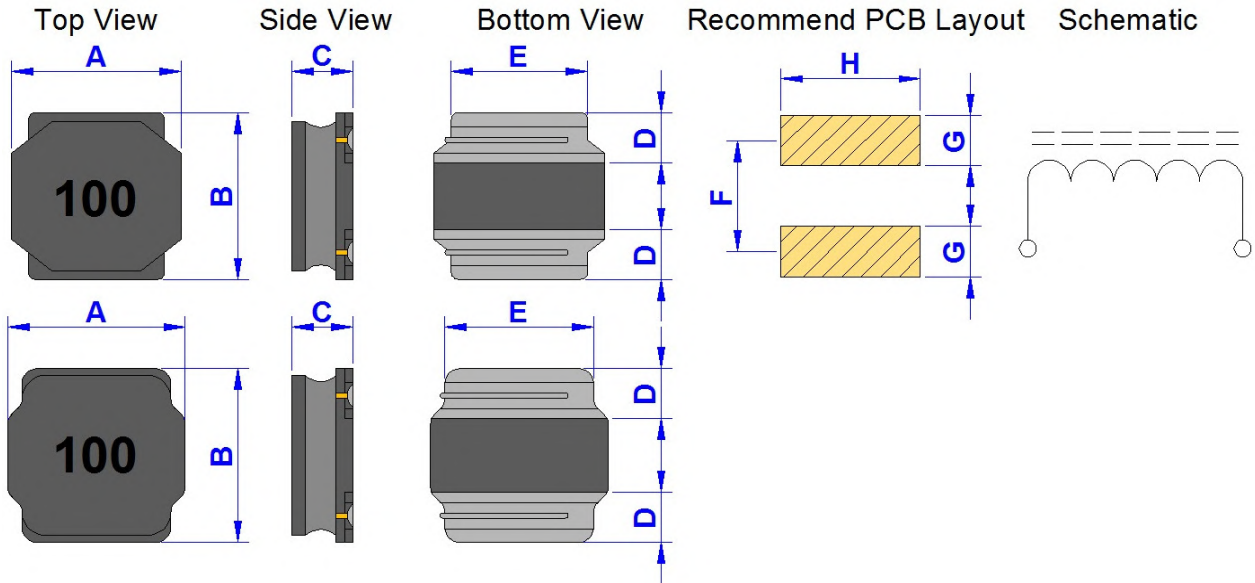
■ The saturation current value (Isat) is the DC current value having inductance decrease 30%. (at 20°C)

■ The temperature rise current value (Iirms) DC current value having temperature increase up to 40deg.C (at 20°C)

Product Series : GNR	Brand : GOTREND
File Version : GNR-SERIES-V7R7	Editor : Teddy Sun
Established Date : 2009.08.19	Description : SMD Shielded Power Inductor
Latest Edit Date : 2020.10.30	Product Type : <input checked="" type="checkbox"/> Standard <input type="checkbox"/> Customize

GNR6045P-SERIES

Dimension [mm] :



Size Code	A (Max.)	B (Max.)	C (Max.)	D (Ref.)	E (Ref.)	F (Ref.)	G (Ref.)	H (Ref.)
6045	6.20	6.20	4.50	1.15	5.10	4.70	1.60	5.70

Electrical Characteristics :

Part No.	Inductance (uH)	L-Tolerance	RDC (m Ohm) Typ.	RDC (m Ohm) Max.	Isat (mA) Typ.	Irms (mA) Typ.
GNR6045P-R82□	0.82	N	8.0	10.4	10350	4500
GNR6045P-1R0□	1.00	N	14.0	18.2	8500	4200
GNR6045P-1R3□	1.30	N	16.0	20.8	8000	4000
GNR6045P-1R8□	1.80	N	18.0	23.4	7000	3700
GNR6045P-2R2□	2.20	M,N	21.0	27.3	6000	3500
GNR6045P-2R3□	2.30	N	21.0	27.3	6000	3500
GNR6045P-3R0□	3.00	N	24.0	31.2	5000	3200
GNR6045P-3R3□	3.30	N	24.0	31.2	4500	3200
GNR6045P-4R5□	4.50	M	31.0	40.3	4000	3000
GNR6045P-4R7□	4.70	M	31.0	40.3	4000	3000
GNR6045P-6R3□	6.30	M	38.0	49.4	3800	2800
GNR6045P-6R8□	6.80	M	36.0	46.9	3500	2600
GNR6045P-100□	10.00	M	47.0	61.1	3000	2500
GNR6045P-150□	15.00	M	77.0	100.1	2300	1900
GNR6045P-220□	22.00	M	115.0	149.5	1900	1500
GNR6045P-330□	33.00	M	145.0	188.5	1500	1400
GNR6045P-470□	47.00	M	220.0	286.0	1300	1100
GNR6045P-680□	68.00	M	330.0	429.0	1000	900
GNR6045P-101□	100.00	M	500.0	650.0	800	700

■ Inductance test Freq. : 100Kz / 0.1V

■ L-Tolerance : N = 30% , M = 20%

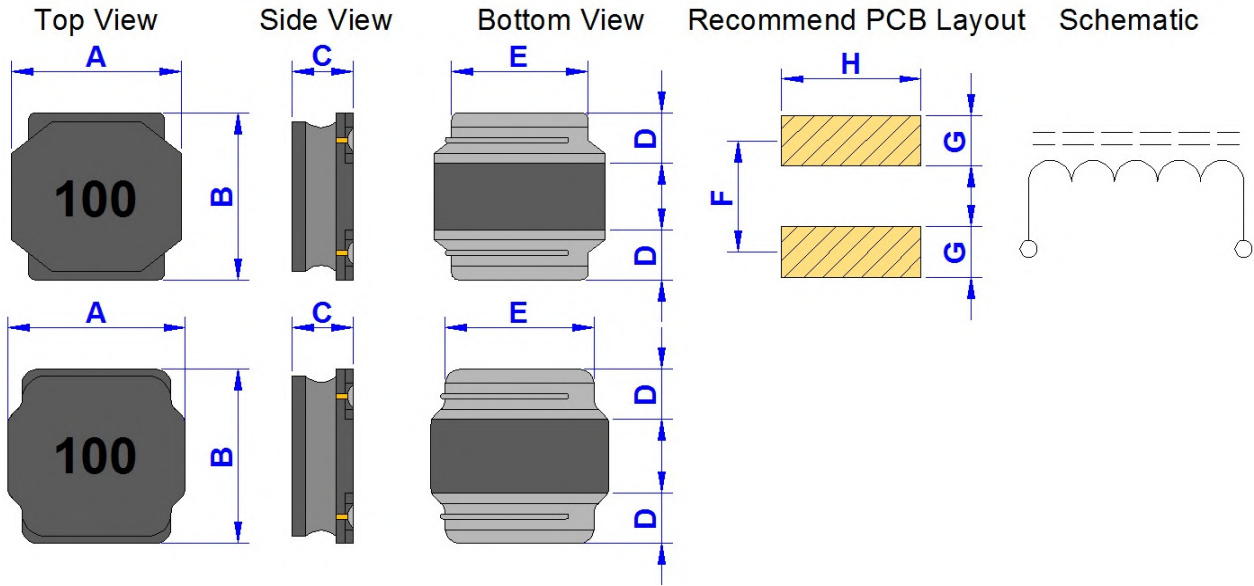
■ The saturation current value (Isat) is the DC current value having inductance decrease 30%. (at 20°C)

■ The temperature rise current value (Iirms) DC current value having temperature increase up to 40deg.C (at 20°C)

Product Series : GNR	Brand : GOTREND
File Version : GNR-SERIES-V7R7	Editor : Teddy Sun
Established Date : 2009.08.19	Description : SMD Shielded Power Inductor
Latest Edit Date : 2020.10.30	Product Type : <input checked="" type="checkbox"/> Standard <input type="checkbox"/> Customize

GNR8040P-SERIES

Dimension [mm] :



Size Code	A (Max.)	B (Max.)	C (Max.)	D (Ref.)	E (Ref.)	F (Ref.)	G (Ref.)	H (Ref.)
8040	8.20	8.20	4.20	1.60	6.30	5.60	1.80	7.50

Electrical Characteristics :

Part No.	Inductance (uH)	L-Tolerance	RDC (m Ohm) Typ.	RDC (m Ohm) Max.	Isat (mA) Typ.	Irms (mA) Typ.
GNR8040P-R90□	0.90	N	6.0	8.0	11000	7800
GNR8040P-1R4□	1.40	N	7.0	10.0	9000	7000
GNR8040P-1R8□	1.80	M	9.0	11.7	8000	6500
GNR8040P-2R0□	2.00	N	9.0	12.0	7400	6300
GNR8040P-2R2□	2.20	N	9.0	12.0	7400	6300
GNR8040P-2R5□	2.50	N	12.0	16.0	6400	5400
GNR8040P-3R3□	3.30	N	15.0	20.0	5300	4900
GNR8040P-3R6□	3.60	N	15.0	20.0	5300	4900
GNR8040P-4R7□	4.70	N	18.0	24.0	4700	4100
GNR8040P-6R8□	6.80	N	25.0	33.0	4000	3700
GNR8040P-100□	10.00	M	34.0	45.0	3400	3100
GNR8040P-150□	15.00	M	50.0	65.0	2700	2400
GNR8040P-220□	22.00	M	66.0	86.0	2200	2200
GNR8040P-330□	33.00	M	100.0	130.0	1900	1700
GNR8040P-470□	47.00	M	150.0	195.0	1500	1400
GNR8040P-680□	68.00	M	230.0	299.0	1200	1100
GNR8040P-101□	100.00	M	290.0	377.0	1000	1000
GNR8040P-151□	150.00	M	450.0	540.0	800	800

■ Inductance test Freq. : 100Kz / 0.1V

■ L-Tolerance : N = 30% , M = 20%

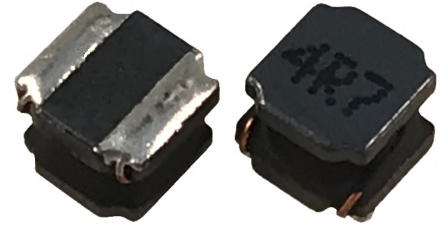
■ The saturation current value (Isat) is the DC current value having inductance decrease 30%. (at 20°C)

■ The temperature rise current value (Iirms) DC current value having temperature increase up to 40deg.C (at 20°C)

Product Series : GNRT	Brand : GOTREND
File Version : GNRT-SERIES-V2R1	Editor : Teddy Sun
Established Date : 2012.02.17	Description : SMD Shielded Power Inductor
Latest Edit Date : 2020.10.30	Product Type : <input checked="" type="checkbox"/> Standard <input type="checkbox"/> Customize

Features & Application :

- 1.Power supply PWM circuit input / output inductor
- 2.Power line noise suppression
- 3.DC-DC Converter
- 4.To help you go pass CE/FCC standard
- 5.TFT/ WiFi/ MobilePhone/ MP3/ PDA....etc. Application
- 6.Low Profile for all compact design



(Picture for reference only)

Part No. Example :

PN	:	GNRT	2012	P	[]	-	1R0	[]
-----		-----	-----	---	---		-----	---
ID	:	1	2	3	4		5	6
1	:	GOTREND Series Code						
2	:	Dimension Code : 2012 = (L) 2.0 x (W) 2.0 x (H) 1.2 mm						
3	:	RoHS Compliance						
4	:	[A][B][H] : Special Material Code						
5	:	Inductance : 1R0 = 1.0uH Ex : 100 = 10uH						
6	:	Tolerance : M = 20% , N = 30%						

Basic Information :

Made in	China
Pin Foot	SMD
Shielding	Yes
J-STD-020	MSL Level 1
RoHS	Compliant
REACH	Compliant
Halogen	Free

Operating & Storage Condition :

- * Operating Temp -40 ~ +125 deg.C (Including self - temperature rise)
- * Storage Temp 1. -10 ~ +45 deg.C , 50 ~ 60% RH (Product with taping)
2. -40 ~ +125 deg.C (On board)
- * Storage Life Time 6 Month (Less than 40 deg.C and 60% RH)

Attention & Caution :

- * Keep out of Splashing water or salt water
- * Avoid Toxic Gas (Hydrogen sulfide, Sulfurous acid, Chlorine, Ammonia)
- Vibrations or shocks which exceed the specified condition
- Dew condense
- Layout near the edge of PCB
- Over flexure after SMT mounting & PCBA



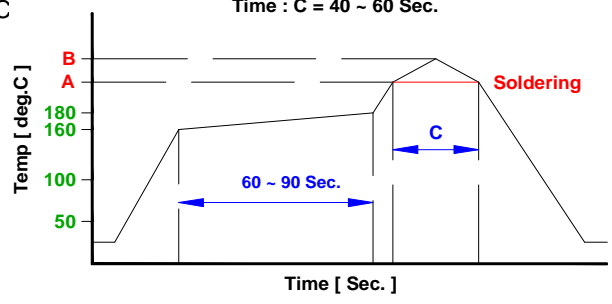
- * Pin foot or SMD pad solderability: Pb free type is best within 6 months after delivery
- * Humidity sensitive , IPC/JEDEC J-STD-020 MSL if over Level 1, recommend bake 30mins@150 degree before PCBA
- * Caution for human life relative applications : PLS contact & consult with GOTREND team in design stage.

Test Condition :

- * Equipment HP4284A , HP42841A - L , Q , DCR , IDC
HP8753D Network analyzer - SRF
- * Standard Atmosphere Conditions:
Ambient Temperature 20 ± 15 deg.C
Humidity RH 65 ± 20%
- * If there may be any doubt on the test result ,
Measurement shall be made within the following limits:
Ambient Temperature 25 ± 5 deg.C
Humidity RH 75 ± 10%

Recommend IR Reflow Curve : GTX-IR-FILE001

Lead Free Solder : A = 217 deg.C , B = 245+/-5 deg.C
Time : C = 40 ~ 60 Sec.

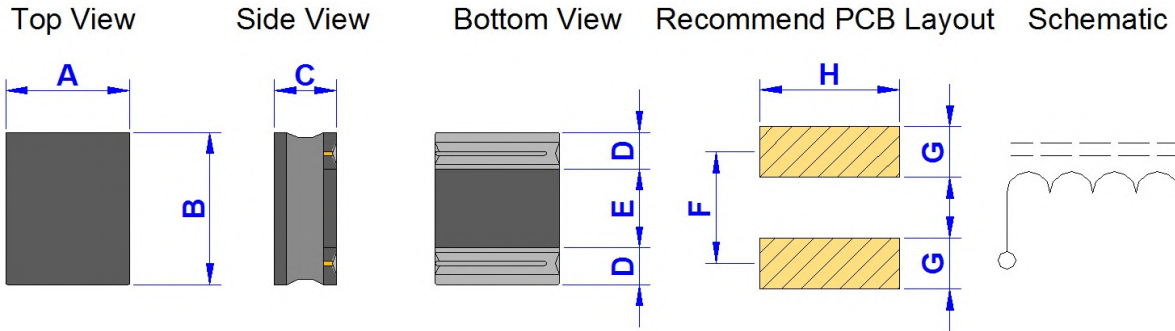


**Notice : Iron Soldering , Solder < 30 Watt ,
Direct touch the terminal x 3 Sec. Max. @ 350 deg.C**

Product Series : GNRT	Brand : GOTREND
File Version : GNRT-SERIES-V2R1	Editor : Teddy Sun
Established Date : 2012.02.17	Description : SMD Shielded Power Inductor
Latest Edit Date : 2020.10.30	Product Type : <input checked="" type="checkbox"/> Standard <input type="checkbox"/> Customize

GNRT201610P-SERIES

Dimension [mm] :



Size Code	A	B	C (Max.)	D (+/-0.2)	E (+/-0.2)	F (Ref.)	G (Ref.)	H (Ref.)
201610	1.60 +0.3/-0.1	2.00 +0.3/-0.1	1.02	0.60 Ref.	0.80 Ref.	1.60	0.80	1.80

Electrical Characteristics :

GOTREND PN	Inductance (uH)	L-Tolerance	RDC (m Ohm) Typ.	RDC (m Ohm) Max.	Isat (mA) Max.	Irms (mA) Typ.
GNRT201610P-R24□	0.24	M	35.0	45.0	4400	3300
GNRT201610P-R47□	0.47	M	50.0	65.0	2800	2900
GNRT201610P-R56□	0.56	M	50.0	65.0	2800	2900
GNRT201610P-R68□	0.68	M	55.0	65.0	2600	2800
GNRT201610P-1R0□	1.00	M	90.0	108.0	2500	2300
GNRT201610P-2R2□	2.20	M	150.0	180.0	1450	1600

■ Inductance test Freq. : 1MHz / 0.1V

■ L-Tolerance : M = 20%

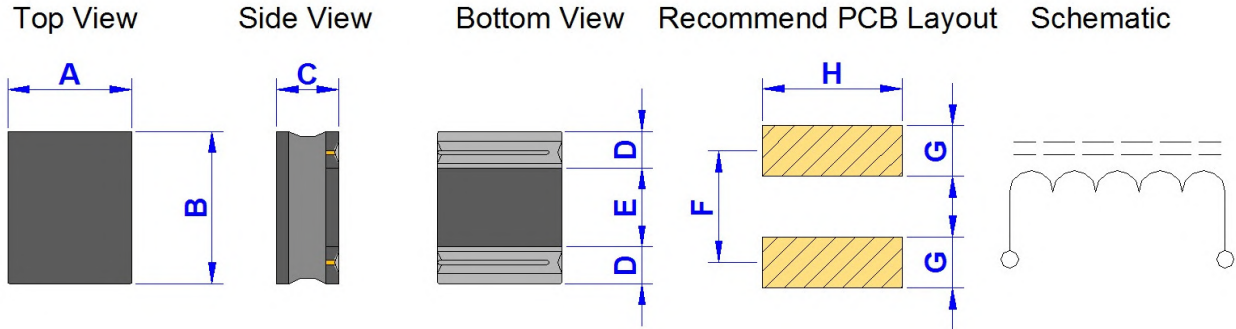
■ The saturation current value (Isat) is the DC current value having inductance decrease down to 30%. (at 20°C)

■ The temperature rise current value (Irms) DC current value having temperature increase up to 40deg.C (at 20°C)

Product Series : GNRT	Brand : GOTREND
File Version : GNRT-SERIES-V2R1	Editor : Teddy Sun
Established Date : 2012.02.17	Description : SMD Shielded Power Inductor
Latest Edit Date : 2020.10.30	Product Type : <input checked="" type="checkbox"/> Standard <input type="checkbox"/> Customize

GNRT201610PH-SERIES

Dimension [mm] :



Size Code	A	B	C (Max.)	D (+/-0.2)	E (+/-0.2)	F (Ref.)	G (Ref.)	H (Ref.)
201610PH	1.60 +0.2/-0.1	2.00 +0.2/-0.1	1.00	0.50 Ref.	1.00 Ref.	1.60	0.75	1.90

Electrical Characteristics :

GOTREND PN	Inductance (uH)	L-Tolerance	RDC (m Ohm) Typ.	RDC (m Ohm) Max.	Isat (mA) Max.	Irms (mA) Typ.
GNRT201610PH-R10□	0.10	M	13.0	18.0	7000	5500
GNRT201610PH-R24□	0.24	M	26.0	32.0	5900	4200
GNRT201610PH-R33□	0.33	M	32.0	38.0	5000	3700
GNRT201610PH-R47□	0.47	M	40.0	48.0	4300	3300
GNRT201610PH-R68□	0.68	M	55.0	65.0	3600	2900
GNRT201610PH-1R0□	1.00	M	70.0	85.0	2700	2450
GNRT201610PH-1R5□	1.50	M	100.0	120.0	2200	2200
GNRT201610PH-2R2□	2.20	M	135.0	165.0	1900	1850

■ Inductance test Freq. : 1MHz / 0.1V

■ L-Tolerance : M = 20%

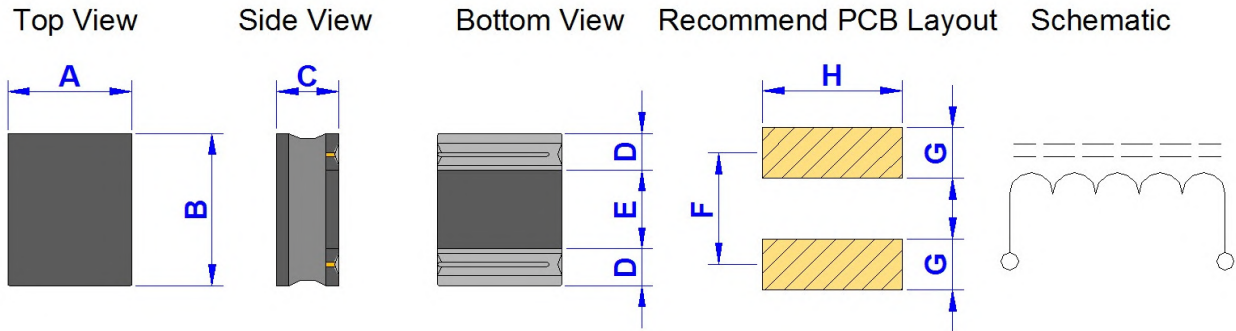
■ The saturation current value (Isat) is the DC current value having inductance decrease down to 30%. (at 20°C)

■ The temperature rise current value (Iirms) DC current value having temperature increase up to 40deg.C (at 20°C)

Product Series : GNRT	Brand : GOTREND
File Version : GNRT-SERIES-V2R1	Editor : Teddy Sun
Established Date : 2012.02.17	Description : SMD Shielded Power Inductor
Latest Edit Date : 2020.10.30	Product Type : <input checked="" type="checkbox"/> Standard <input type="checkbox"/> Customize

GNRT201612P-SERIES

Dimension [mm] :



Size Code	A	B	C (Max.)	D (+/-0.2)	E (+/-0.2)	F (Ref.)	G (Ref.)	H (Ref.)
201612	1.60 +0.3/-0.1	2.00 +0.3/-0.1	1.20	0.60 Ref.	0.80 Ref.	1.60	0.80	1.80

Electrical Characteristics :

GOTREND PN	Inductance (uH)	L-Tolerance	RDC (m Ohm) Typ.	RDC (m Ohm) Max.	Isat (mA) Max.	Irms (mA) Typ.
GNRT201612P-R24□	0.24	M	25.00	33.00	4800	4000
GNRT201612P-R47□	0.47	M	35.00	46.00	3500	3300
GNRT201612P-1R0□	1.00	M	80.00	104.00	2500	2700
GNRT201612P-1R5□	1.50	M	90.00	108.00	2000	2100
GNRT201612P-2R2□	2.20	M	155.00	186.00	1600	1500

■ Inductance test Freq. : 1MHz / 0.1V

■ L-Tolerance : M = 20%

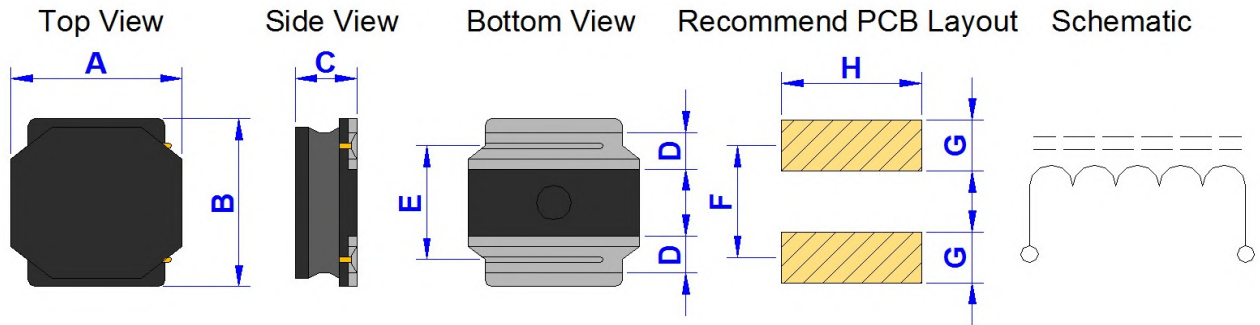
■ The saturation current value (Isat) is the DC current value having inductance decrease down to 30%. (at 20°C)

■ The temperature rise current value (Irms) DC current value having temperature increase up to 40deg.C (at 20°C)

Product Series : GNRT	Brand : GOTREND
File Version : GNRT-SERIES-V2R1	Editor : Teddy Sun
Established Date : 2012.02.17	Description : SMD Shielded Power Inductor
Latest Edit Date : 2020.10.30	Product Type : <input checked="" type="checkbox"/> Standard <input type="checkbox"/> Customize

GNRT2012PB-SERIES

Dimension [mm] :



Size Code	A	B	C (Max.)	D (+/-0.2)	E (+/-0.2)	F (Ref.)	G (Ref.)	H (Ref.)
2012PB	2.00 +/-0.1	2.00 +/-0.1	1.20	0.50	1.25	1.35	0.65	2.00

Electrical Characteristics :

GOTREND PN	Inductance (uH)	L-Tolerance	RDC (m Ohm) Typ.	RDC (m Ohm) Max.	Isat (mA) Max.	Irms (mA) Typ.
GNRT2012PB-1R0□	1.00	N	70.0	84.0	1900	1700
GNRT2012PB-1R5□	1.50	N	90.0	108.0	1650	1500
GNRT2012PB-2R2□	2.20	M	107.0	128.4	1350	1370
GNRT2012PB-3R3□	3.30	M	190.0	228.0	1000	1020
GNRT2012PB-4R7□	4.70	M	241.0	289.2	900	910

■ Inductance test Freq. : 100KHz / 1.0V

■ L-Tolerance : N = 30% , M = 20%

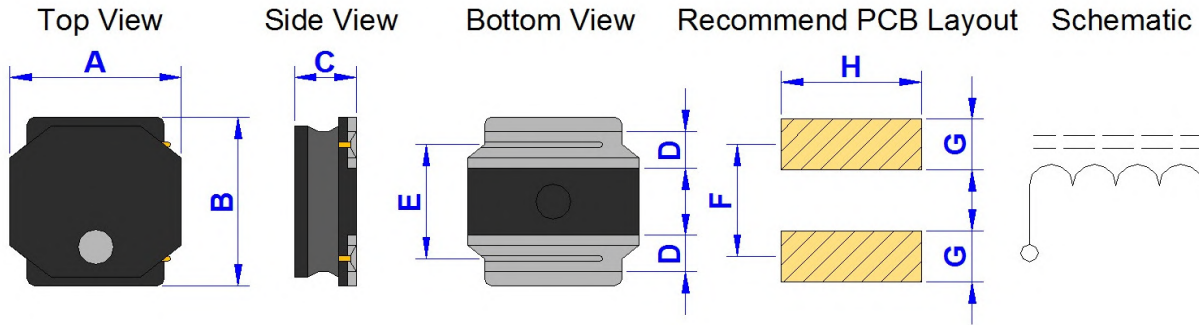
■ The saturation current value (Isat) is the DC current value having inductance decrease down to 30%. (at 20°C)

■ The temperature rise current value (Irms) DC current value having temperature increase up to 40deg.C (at 20°C)

Product Series : GNRT	Brand : GOTREND
File Version : GNRT-SERIES-V2R1	Editor : Teddy Sun
Established Date : 2012.02.17	Description : SMD Shielded Power Inductor
Latest Edit Date : 2020.10.30	Product Type : <input checked="" type="checkbox"/> Standard <input type="checkbox"/> Customize

GNRT2410PA-SERIES

Dimension [mm] :



Size Code	A	B	C (Max.)	D (+/-0.2)	E (+/-0.2)	F (Ref.)	G (Ref.)	H (Ref.)
2410PA	2.40 +/-0.1	2.40 +/-0.1	1.00	0.60	1.45	1.45	0.70	2.00

Electrical Characteristics :

GOTREND PN	Inductance (uH)	L-Tolerance	RDC (m Ohm) Typ.	RDC (m Ohm) Max.	Isat (mA) Max.	Irms (mA) Typ.
GNRT2410PA-R68□	0.68	N	60.0	72.0	2200	1570
GNRT2410PA-1R0□	1.00	N	70.0	84.0	1800	1410
GNRT2410PA-1R5□	1.50	M	110.0	132.0	1550	1160
GNRT2410PA-2R2□	2.20	M	150.0	180.0	1290	970
GNRT2410PA-3R3□	3.30	M	220.0	264.0	1000	770
GNRT2410PA-4R7□	4.70	M	290.0	348.0	880	670
GNRT2410PA-6R8□	6.80	M	410.0	492.0	750	570
GNRT2410PA-100□	10.00	M	690.0	828.0	550	450
GNRT2410PA-150□	15.00	M	1020.0	1224.0	470	370
GNRT2410PA-220□	22.00	M	1470.0	1764.0	390	300

■ Inductance test Freq. : 100KHz / 1.0V

■ L-Tolerance : N = 30% , M = 20%

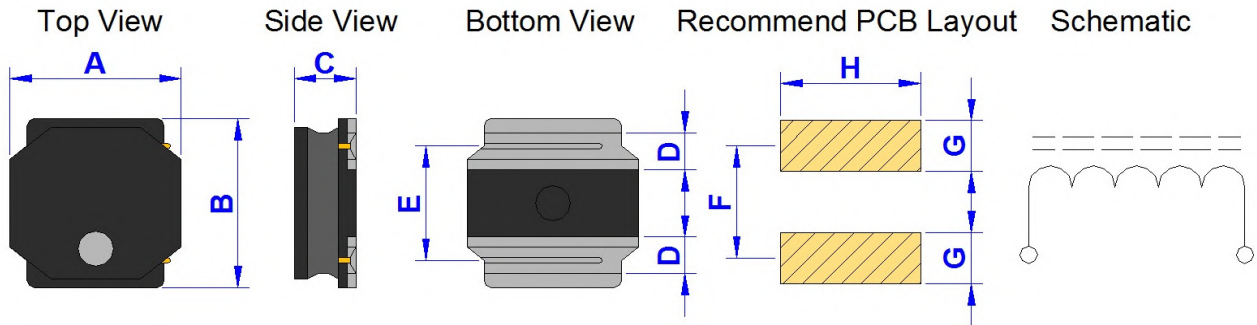
■ The saturation current value (Isat) is the DC current value having inductance decrease down to 30%. (at 20°C)

■ The temperature rise current value (Irms) DC current value having temperature increase up to 40deg.C (at 20°C)

Product Series : GNRT	Brand : GOTREND
File Version : GNRT-SERIES-V2R1	Editor : Teddy Sun
Established Date : 2012.02.17	Description : SMD Shielded Power Inductor
Latest Edit Date : 2020.10.30	Product Type : <input checked="" type="checkbox"/> Standard <input type="checkbox"/> Customize

GNRT2412PA-SERIES

Dimension [mm] :



Size Code	A	B	C (Max.)	D (+/-0.2)	E (+/-0.2)	F (Ref.)	G (Ref.)	H (Ref.)
2412PA	2.40 +/-0.1	2.40 +/-0.1	1.20	0.60	1.45	1.45	0.70	2.00

Electrical Characteristics :

GOTREND PN	Inductance (uH)	L-Tolerance	RDC (m Ohm) Typ.	RDC (m Ohm) Max.	Isat (mA) Max.	Irms (mA) Typ.
GNRT2412PA-1R0□	1.00	N	77.0	92.4	2350	1300
GNRT2412PA-1R5□	1.50	N	100.0	120.0	2100	1150
GNRT2412PA-2R2□	2.20	M	140.0	168.0	1700	1000
GNRT2412PA-3R3□	3.30	M	225.0	270.0	1400	750
GNRT2412PA-4R7□	4.70	M	300.0	360.0	1150	650
GNRT2412PA-6R8□	6.80	M	420.0	504.0	950	550
GNRT2412PA-100□	10.00	M	600.0	720.0	810	450

■ Inductance test Freq. : 100KHz / 1.0V

■ L-Tolerance : N = 30% , M = 20%

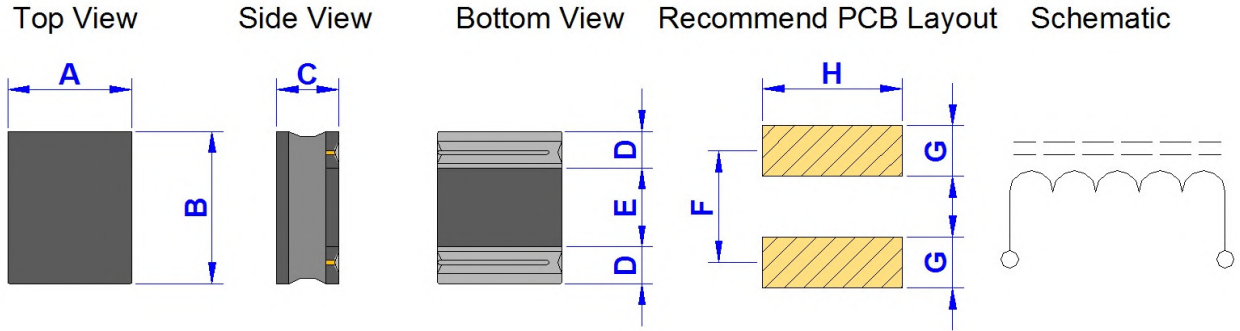
■ The saturation current value (Isat) is the DC current value having inductance decrease down to 30%. (at 20°C)

■ The temperature rise current value (Iirms) DC current value having temperature increase up to 40deg.C (at 20°C)

Product Series : GNRT	Brand : GOTREND
File Version : GNRT-SERIES-V2R1	Editor : Teddy Sun
Established Date : 2012.02.17	Description : SMD Shielded Power Inductor
Latest Edit Date : 2020.10.30	Product Type : <input checked="" type="checkbox"/> Standard <input type="checkbox"/> Customize

GNRT252010P-SERIES

Dimension [mm] :



Size Code	A	B	C (Max.)	D (+/-0.2)	E (+/-0.2)	F (Ref.)	G (Ref.)	H (Ref.)
252010	2.00 +/-0.2	2.50 +/-0.2	1.00	0.85 Ref.	0.80 Ref.	1.75	0.95	2.20

Electrical Characteristics :

GOTREND PN	Inductance (uH)	L-Tolerance	RDC (m Ohm) Typ.	RDC (m Ohm) Max.	Isat (mA) Max.	Irms (mA) Typ.
GNRT252010P-1R0□	1.00	N	70.0	84.0	1750	2200
GNRT252010P-1R5□	1.50	N	107.0	128.0	1500	1800
GNRT252010P-2R2□	2.20	M	158.0	190.0	1300	1650
GNRT252010P-3R3□	3.30	M	229.0	275.0	1000	1250
GNRT252010P-4R7□	4.70	M	332.0	398.0	850	1000
GNRT252010P-6R8□	6.80	M	443.0	532.0	750	850
GNRT252010P-100□	10.00	M	712.0	854.0	600	750

■ Inductance test Freq. : 1MHz / 0.1V

■ L-Tolerance : N = 30% , M = 20%

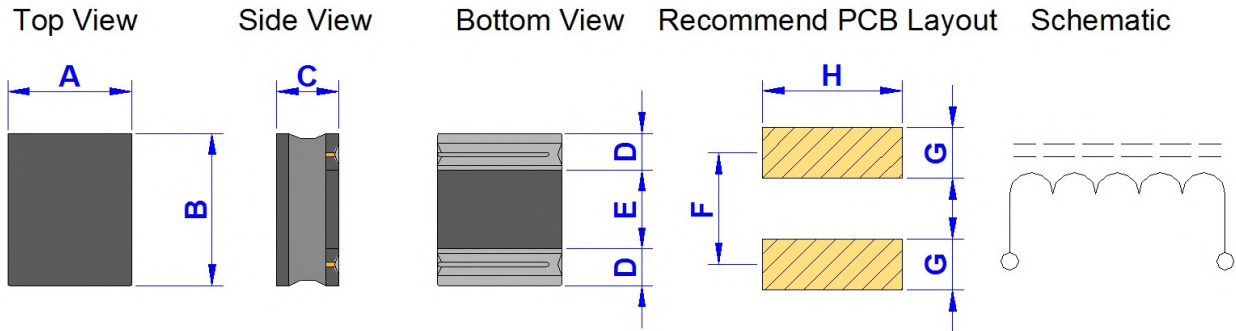
■ The saturation current value (Isat) is the DC current value having inductance decrease down to 30%. (at 20°C)

■ The temperature rise current value (Irms) DC current value having temperature increase up to 40deg.C (at 20°C)

Product Series : GNRT	Brand : GOTREND
File Version : GNRT-SERIES-V2R1	Editor : Teddy Sun
Established Date : 2012.02.17	Description : SMD Shielded Power Inductor
Latest Edit Date : 2020.10.30	Product Type : <input checked="" type="checkbox"/> Standard <input type="checkbox"/> Customize

GNRT252010PB-SERIES

Dimension [mm] :



Size Code	A	B	C (Max.)	D (+/-0.2)	E (+/-0.2)	F (Ref.)	G (Ref.)	H (Ref.)
252010PB	2.00 +0.35/-0.05	2.50 +0.3/-0.1	1.02	0.85 Ref.	0.80 Ref.	1.85	1.05	2.40

Electrical Characteristics :

GOTREND PN	Inductance (uH)	L-Tolerance	RDC (m Ohm) Typ.	RDC (m Ohm) Max.	Isat (mA) Max.	Irms (mA) Typ.
GNRT252010PB-R47□	0.47	N	30.0	36.0	2570	2800
GNRT252010PB-R68□	0.68	N	39.0	46.8	2450	2450
GNRT252010PB-1R0□	1.00	N	55.0	66.0	2050	2200
GNRT252010PB-1R5□	1.50	N	90.0	108.0	1700	1700
GNRT252010PB-2R2□	2.20	M	114.0	136.8	1550	1550
GNRT252010PB-3R3□	3.30	M	170.0	204.0	1100	1250
GNRT252010PB-4R7□	4.70	M	250.0	300.0	950	1050
GNRT252010PB-6R8□	6.80	M	370.0	444.0	800	850
GNRT252010PB-100□	10.00	M	470.0	564.0	650	750
GNRT252010PB-150□	15.00	M	750.0	900.0	450	550
GNRT252010PB-220□	22.00	M	1120.0	1344.0	400	500

■ Inductance test Freq. : 1MHz / 0.1V

■ L-Tolerance : N = 30% , M = 20%

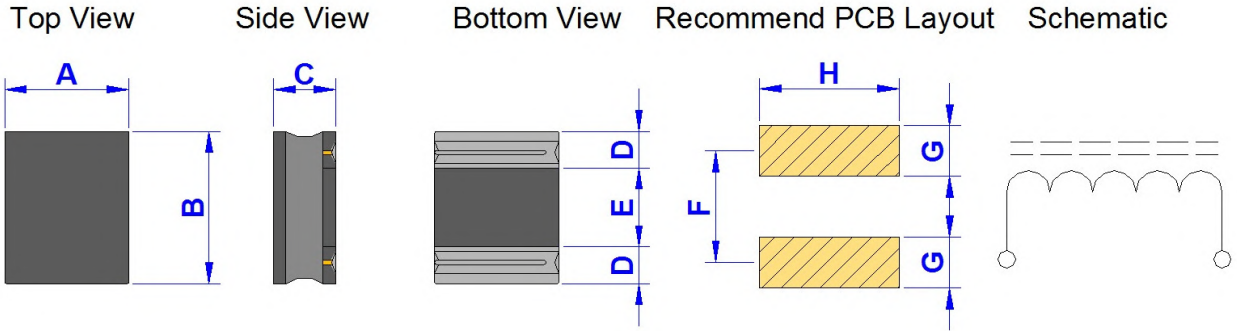
■ The saturation current value (Isat) is the DC current value having inductance decrease down to 30%. (at 20°C)

■ The temperature rise current value (Irms) DC current value having temperature increase up to 40deg.C (at 20°C)

Product Series : GNRT	Brand : GOTREND
File Version : GNRT-SERIES-V2R1	Editor : Teddy Sun
Established Date : 2012.02.17	Description : SMD Shielded Power Inductor
Latest Edit Date : 2020.10.30	Product Type : <input checked="" type="checkbox"/> Standard <input type="checkbox"/> Customize

GNRT252010PH-SERIES

Dimension [mm] :



Size Code	A	B	C (Max.)	D (+/-0.2)	E (+/-0.2)	F (Ref.)	G (Ref.)	H (Ref.)
252010PH	2.00 +0.2/-0.1	2.50 +0.2/-0.1	1.00	0.75 Ref.	1.00 Ref.	1.95	1.00	2.40

Electrical Characteristics :

GOTREND PN	Inductance (uH)	L-Tolerance	RDC (m Ohm) Typ.	RDC (m Ohm) Max.	Isat (mA) Max.	Irms (mA) Typ.
GNRT252010PH-R24□	0.24	M	24.0	32.0	6700	4700
GNRT252010PH-R33□	0.33	M	25.0	33.0	5150	4500
GNRT252010PH-R47□	0.47	M	30.0	38.0	4900	3800
GNRT252010PH-R68□	0.68	M	42.0	52.0	3600	3400
GNRT252010PH-1R0□	1.00	M	50.0	62.0	3000	3100
GNRT252010PH-1R5□	1.50	M	80.0	96.0	2700	2400
GNRT252010PH-2R2□	2.20	M	110.0	132.0	2100	2100

■ Inductance test Freq. : 1MHz / 0.1V

■ L-Tolerance : M = 20%

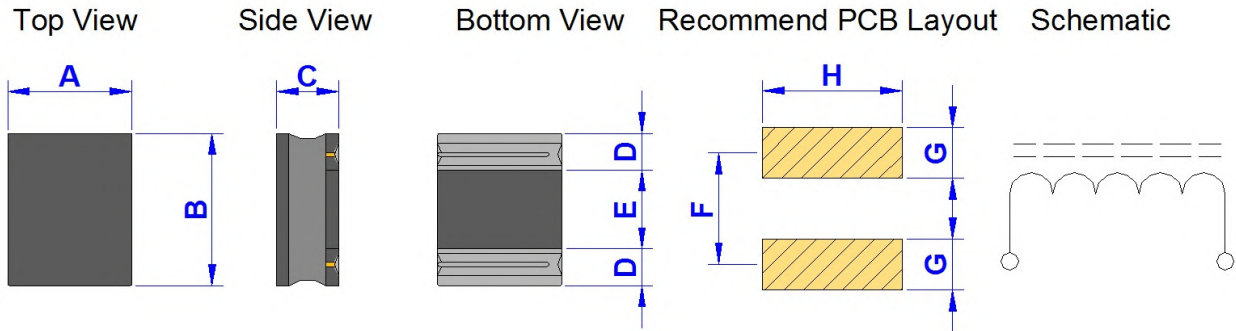
■ The saturation current value (Isat) is the DC current value having inductance decrease down to 30%. (at 20°C)

■ The temperature rise current value (Irms) DC current value having temperature increase up to 40deg.C (at 20°C)

Product Series : GNRT	Brand : GOTREND
File Version : GNRT-SERIES-V2R1	Editor : Teddy Sun
Established Date : 2012.02.17	Description : SMD Shielded Power Inductor
Latest Edit Date : 2020.10.30	Product Type : <input checked="" type="checkbox"/> Standard <input type="checkbox"/> Customize

GNRT252012P-SERIES

Dimension [mm] :



Size Code	A	B	C (Max.)	D (+/-0.2)	E (+/-0.2)	F (Ref.)	G (Ref.)	H (Ref.)
252012	2.00 +/-0.2	2.50 +0.2	1.20	0.85 Ref.	0.80 Ref.	1.75	0.95	2.20

Electrical Characteristics :

GOTREND PN	Inductance (uH)	L-Tolerance	RDC (m Ohm) Typ.	RDC (m Ohm) Max.	Isat (mA) Max.	Irms (mA) Typ.
GNRT252012P-1R0□	1.00	N	73.0	88.0	2240	2200
GNRT252012P-1R5□	1.50	N	100.0	120.0	1760	1860
GNRT252012P-2R2□	2.20	M	129.0	155.0	1440	1700
GNRT252012P-3R3□	3.30	M	220.0	264.0	1040	1200
GNRT252012P-4R7□	4.70	M	290.0	348.0	880	1040
GNRT252012P-6R8□	6.80	M	370.0	444.0	750	940
GNRT252012P-100□	10.00	M	570.0	684.0	650	840
GNRT252012P-150□	15.00	M	835.0	1002.0	600	500
GNRT252012P-220□	22.00	M	1200.0	1440.0	550	450

■ Inductance test Freq. : 1MHz / 0.1V

■ L-Tolerance : N = 30% , M = 20%

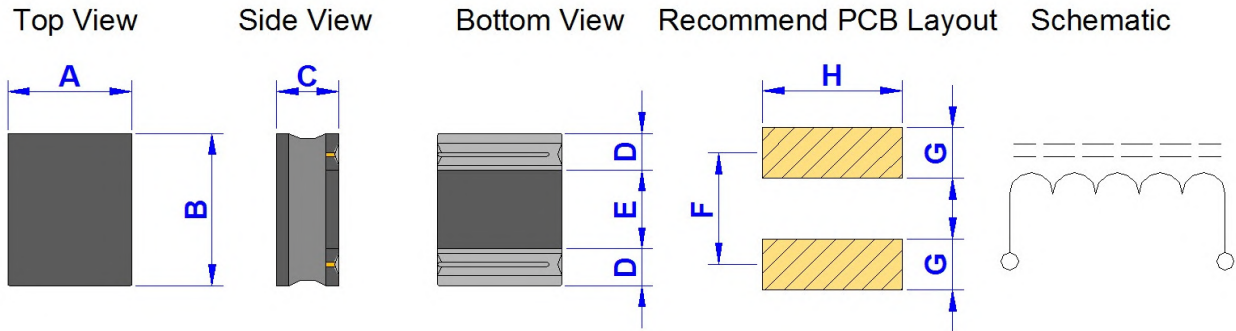
■ The saturation current value (Isat) is the DC current value having inductance decrease down to 30%. (at 20°C)

■ The temperature rise current value (Iirms) DC current value having temperature increase up to 40deg.C (at 20°C)

Product Series : GNRT	Brand : GOTREND
File Version : GNRT-SERIES-V2R1	Editor : Teddy Sun
Established Date : 2012.02.17	Description : SMD Shielded Power Inductor
Latest Edit Date : 2020.10.30	Product Type : <input checked="" type="checkbox"/> Standard <input type="checkbox"/> Customize

GNRT252012PH-SERIES

Dimension [mm] :



Size Code	A	B	C (Max.)	D (+/-0.2)	E (+/-0.2)	F (Ref.)	G (Ref.)	H (Ref.)
252012PH	2.00 +0.35/-0.05	2.50 +0.3/-0.1	1.20	0.85 Ref.	0.80 Ref.	1.85	1.05	2.40

Electrical Characteristics :

GOTREND PN	Inductance (uH)	L-Tolerance	RDC (m Ohm) Typ.	RDC (m Ohm) Max.	Isat (mA) Max.	Irms (mA) Typ.
GNRT252012PH-R24□	0.24	M	21.0	27.0	6500	4700
GNRT252012PH-R47□	0.47	M	29.0	39.0	3800	3900
GNRT252012PH-R68□	0.68	M	42.0	55.0	3700	3500
GNRT252012PH-1R0□	1.00	M	47.0	62.0	3000	3000
GNRT252012PH-2R2□	2.20	M	98.0	117.0	2000	2200

■ Inductance test Freq. : 1MHz / 0.1V

■ L-Tolerance : N = 30% , M = 20%

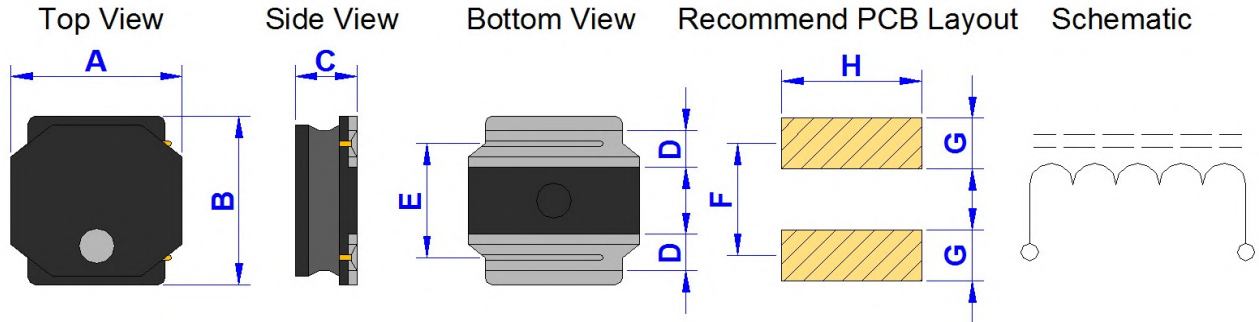
■ The saturation current value (Isat) is the DC current value having inductance decrease down to 30%. (at 20°C)

■ The temperature rise current value (I_{rms}) DC current value having temperature increase up to 40deg.C (at 20°C)

Product Series : GNRT	Brand : GOTREND
File Version : GNRT-SERIES-V2R1	Editor : Teddy Sun
Established Date : 2012.02.17	Description : SMD Shielded Power Inductor
Latest Edit Date : 2020.10.30	Product Type : <input checked="" type="checkbox"/> Standard <input type="checkbox"/> Customize

GNRT3010PA-SERIES

Dimension [mm] :



Size Code	A	B	C (Max.)	D (+/-0.2)	E (+/-0.2)	F (Ref.)	G (Ref.)	H (Ref.)
3010PA	3.00 +/-0.1	3.00 +/-0.1	1.00	0.90	1.90	2.20	0.80	2.70

Electrical Characteristics :

GOTREND PN	Inductance (uH)	L-Tolerance	RDC (m Ohm) Typ.	RDC (m Ohm) Max.	Isat (mA) Max.	Irms (mA) Typ.
GNRT3010PA-1R2□	1.20	N	65.0	78.0	1700	1480
GNRT3010PA-1R5□	1.50	N	75.0	90.0	1440	1370
GNRT3010PA-2R2□	2.20	M	83.0	99.6	1300	1300
GNRT3010PA-3R3□	3.30	M	130.0	156.0	1000	1030
GNRT3010PA-4R7□	4.70	M	170.0	204.0	850	900
GNRT3010PA-6R8□	6.80	M	250.0	300.0	700	745
GNRT3010PA-100□	10.00	M	350.0	420.0	600	620
GNRT3010PA-150□	15.00	M	550.0	660.0	450	480
GNRT3010PA-220□	22.00	M	770.0	924.0	380	410

■ Inductance test Freq. : 100KHz / 1.0V

■ L-Tolerance : N = 30% , M = 20%

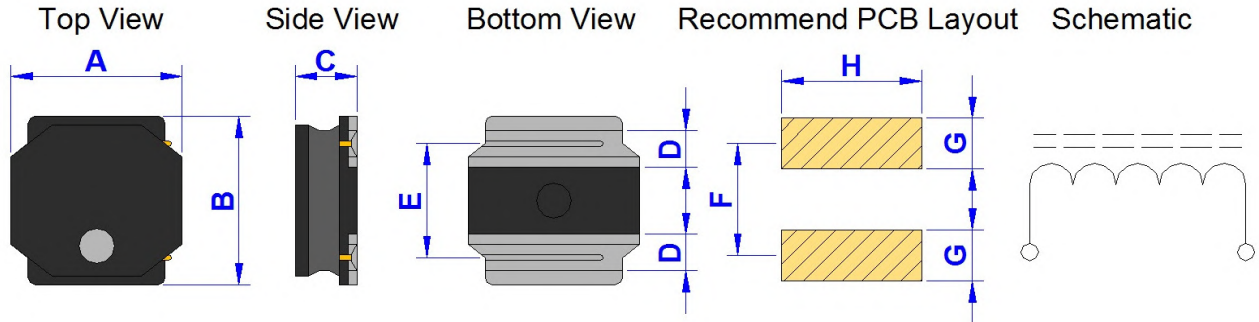
■ The saturation current value (Isat) is the DC current value having inductance decrease down to 30%. (at 20°C)

■ The temperature rise current value (Iirms) DC current value having temperature increase up to 40deg.C (at 20°C)

Product Series : GNRT	Brand : GOTREND
File Version : GNRT-SERIES-V2R1	Editor : Teddy Sun
Established Date : 2012.02.17	Description : SMD Shielded Power Inductor
Latest Edit Date : 2020.10.30	Product Type : <input checked="" type="checkbox"/> Standard <input type="checkbox"/> Customize

GNRT3012PA-SERIES

Dimension [mm] :



Size Code	A	B	C (Max.)	D (+/-0.2)	E (+/-0.2)	F (Ref.)	G (Ref.)	H (Ref.)
3012PA	3.00 +/-0.1	3.00 +/-0.1	1.20	0.90	1.90	2.20	0.80	2.70

Electrical Characteristics :

GOTREND PN	Inductance (uH)	L-Tolerance	RDC (m Ohm) Typ.	RDC (m Ohm) Max.	Isat (mA) Max.	Irms (mA) Typ.
GNRT3012PA-1R0□	1.00	N	48.0	57.6	2200	1710
GNRT3012PA-1R5□	1.50	N	55.0	66.0	1700	1600
GNRT3012PA-2R2□	2.20	M	75.0	90.0	1500	1370
GNRT3012PA-3R3□	3.30	M	100.0	120.0	1200	1210
GNRT3012PA-4R7□	4.70	M	130.0	156.0	1000	1060
GNRT3012PA-6R8□	6.80	M	190.0	228.0	850	890
GNRT3012PA-100□	10.00	M	270.0	324.0	730	720
GNRT3012PA-150□	15.00	M	450.0	540.0	530	570
GNRT3012PA-220□	22.00	M	630.0	756.0	500	500

■ Inductance test Freq. : 100KHz / 1.0V

■ L-Tolerance : N = 30% , M = 20%

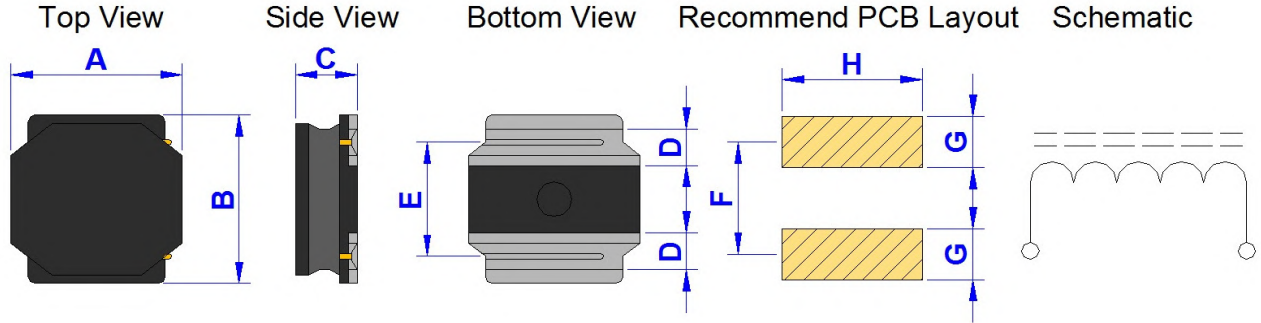
■ The saturation current value (Isat) is the DC current value having inductance decrease down to 30%. (at 20°C)

■ The temperature rise current value (Iirms) DC current value having temperature increase up to 40deg.C (at 20°C)

Product Series : GNRT	Brand : GOTREND
File Version : GNRT-SERIES-V2R1	Editor : Teddy Sun
Established Date : 2012.02.17	Description : SMD Shielded Power Inductor
Latest Edit Date : 2020.10.30	Product Type : <input checked="" type="checkbox"/> Standard <input type="checkbox"/> Customize

GNRT3015P-SERIES

Dimension [mm] :



Size Code	A	B	C (Max.)	D (+/-0.2)	E (+/-0.2)	F (Ref.)	G (Ref.)	H (Ref.)
3015	3.00 +/-0.1	3.00 +/-0.1	1.50	0.90	1.90	2.20	0.80	2.70

Electrical Characteristics :

GOTREND PN	Inductance (uH)	L-Tolerance	RDC (m Ohm) Typ.	RDC (m Ohm) Max.	Isat (mA) Max.	Irms (mA) Typ.
GNRT3015P-1R0□	1.00	N	30.0	36.0	2100	2100
GNRT3015P-1R5□	1.50	N	40.0	48.0	1800	1820
GNRT3015P-2R2□	2.20	M	60.0	72.0	1480	1500
GNRT3015P-3R3□	3.30	M	80.0	96.0	1210	1230
GNRT3015P-4R7□	4.70	M	120.0	144.0	1020	1040
GNRT3015P-6R8□	6.80	M	160.0	192.0	870	880
GNRT3015P-100□	10.00	M	230.0	276.0	700	710
GNRT3015P-150□	15.00	M	360.0	432.0	560	560
GNRT3015P-220□	22.00	M	520.0	624.0	470	470

■ Inductance test Freq. : 100KHz / 1.0V

■ L-Tolerance : N = 30% , M = 20%

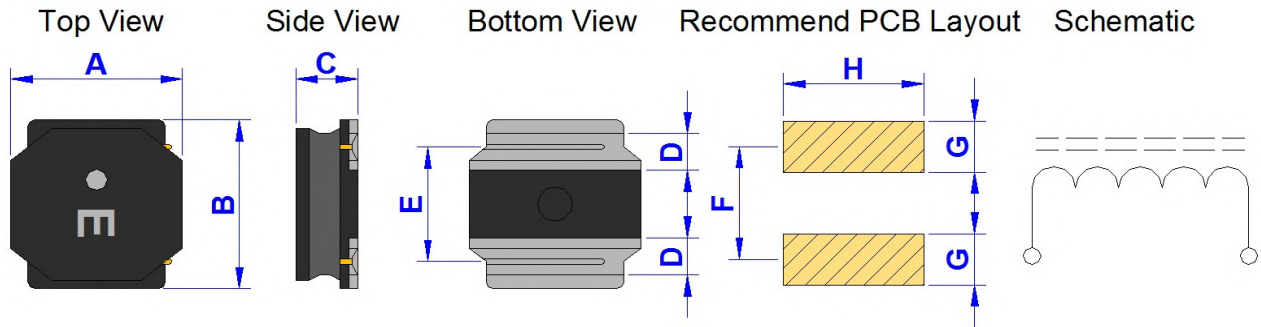
■ The saturation current value (Isat) is the DC current value having inductance decrease down to 30%. (at 20°C)

■ The temperature rise current value (Irms) DC current value having temperature increase up to 40deg.C (at 20°C)

Product Series : GNRT	Brand : GOTREND
File Version : GNRT-SERIES-V2R1	Editor : Teddy Sun
Established Date : 2012.02.17	Description : SMD Shielded Power Inductor
Latest Edit Date : 2020.10.30	Product Type : <input checked="" type="checkbox"/> Standard <input type="checkbox"/> Customize

GNRT4010PB-SERIES

Dimension [mm] :



Size Code	A	B	C (Max.)	D (+/-0.2)	E (+/-0.2)	F (Ref.)	G (Ref.)	H (Ref.)
4010PB	4.00 +/-0.2	4.00 +/-0.2	1.00	1.10	2.50	2.80	1.20	3.70

Electrical Characteristics :

GOTREND PN	Inductance (uH)	L-Tolerance	RDC (m Ohm) Typ.	RDC (m Ohm) Max.	Isat (mA) Max.	Irms (mA) Typ.	Inductance Symbol
GNRT4010PB-1R0□	1.00	N	56.0	67.2	2000	1900	A
GNRT4010PB-2R2□	2.20	M	85.0	102.0	1200	1500	C
GNRT4010PB-3R3□	3.30	M	100.0	120.0	1100	1400	E
GNRT4010PB-4R7□	4.70	M	140.0	168.0	950	1200	H
GNRT4010PB-6R8□	6.80	M	200.0	240.0	800	1000	I
GNRT4010PB-100□	10.00	M	300.0	360.0	620	750	K
GNRT4010PB-150□	15.00	M	430.0	516.0	540	600	M
GNRT4010PB-220□	22.00	M	570.0	684.0	450	500	N

■ Inductance test Freq. : 100KHz / 1.0V

■ L-Tolerance : N = 30% , M = 20%

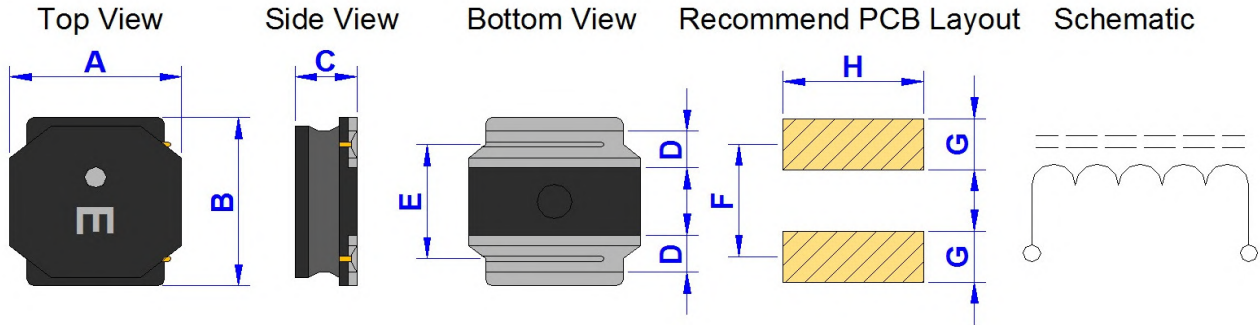
■ The saturation current value (Isat) is the DC current value having inductance decrease down to 30%. (at 20°C)

■ The temperature rise current value (Irms) DC current value having temperature increase up to 40deg.C (at 20°C)

Product Series : GNRT	Brand : GOTREND
File Version : GNRT-SERIES-V2R1	Editor : Teddy Sun
Established Date : 2012.02.17	Description : SMD Shielded Power Inductor
Latest Edit Date : 2020.10.30	Product Type : <input checked="" type="checkbox"/> Standard <input type="checkbox"/> Customize

GNRT4012PB-SERIES

Dimension [mm] :



Size Code	A	B	C (Max.)	D (+/-0.2)	E (+/-0.2)	F (Ref.)	G (Ref.)	H (Ref.)
4012PB	4.00 +/-0.2	4.00 +/-0.2	1.20	1.10	2.50	2.80	1.20	3.70

Electrical Characteristics :

GOTREND PN	Inductance (uH)	L-Tolerance	RDC (m Ohm) Typ.	RDC (m Ohm) Max.	Isat (mA) Max.	Irms (mA) Typ.	Inductance Symbol
GNRT4012PB-1R0□	1.00	N	42.0	50.4	2800	2200	A
GNRT4012PB-2R2□	2.20	M	60.0	72.0	1650	1900	C
GNRT4012PB-3R3□	3.30	M	70.0	84.0	1400	1700	E
GNRT4012PB-4R7□	4.70	M	95.0	114.0	1200	1500	H
GNRT4012PB-6R8□	6.80	M	125.0	150.0	900	1300	I
GNRT4012PB-100□	10.00	M	170.0	204.0	800	1100	K
GNRT4012PB-150□	15.00	M	260.0	312.0	650	750	M
GNRT4012PB-220□	22.00	M	400.0	480.0	500	620	N

■ Inductance test Freq. : 100KHz / 1.0V

■ L-Tolerance : N = 30% , M = 20%

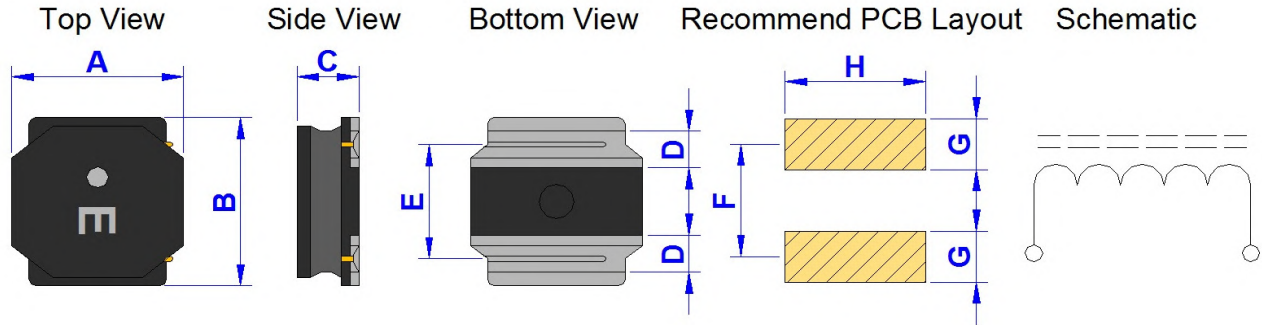
■ The saturation current value (Isat) is the DC current value having inductance decrease down to 30%. (at 20°C)

■ The temperature rise current value (Irms) DC current value having temperature increase up to 40deg.C (at 20°C)

Product Series : GNRT	Brand : GOTREND
File Version : GNRT-SERIES-V2R1	Editor : Teddy Sun
Established Date : 2012.02.17	Description : SMD Shielded Power Inductor
Latest Edit Date : 2020.10.30	Product Type : <input checked="" type="checkbox"/> Standard <input type="checkbox"/> Customize

GNRT4018PB-SERIES

Dimension [mm] :



Size Code	A	B	C (Max.)	D (+/-0.2)	E (+/-0.2)	F (Ref.)	G (Ref.)	H (Ref.)
4018PB	4.00 +/-0.2	4.00 +/-0.2	1.80	1.10	2.50	2.80	1.20	3.70

Electrical Characteristics :

GOTREND PN	Inductance (uH)	L-Tolerance	RDC (m Ohm) Typ.	RDC (m Ohm) Max.	Isat (mA) Max.	Irms (mA) Typ.	Inductance Symbol
GNRT4018PB-1R0□	1.00	N	27.0	32.4	4000	3200	A
GNRT4018PB-2R2□	2.20	M	42.0	50.4	3000	2200	C
GNRT4018PB-3R3□	3.30	M	55.0	66.0	2300	2000	E
GNRT4018PB-4R7□	4.70	M	70.0	84.0	2000	1700	H
GNRT4018PB-6R8□	6.80	M	98.0	117.6	1600	1450	I
GNRT4018PB-100□	10.00	M	150.0	180.0	1300	1200	K
GNRT4018PB-150□	15.00	M	210.0	252.0	1100	850	M
GNRT4018PB-220□	22.00	M	290.0	348.0	900	720	N
GNRT4018PB-330□	33.00	M	460.0	552.0	700	550	P

■ Inductance test Freq. : 100KHz / 1.0V

■ L-Tolerance : N = 30% , M = 20%

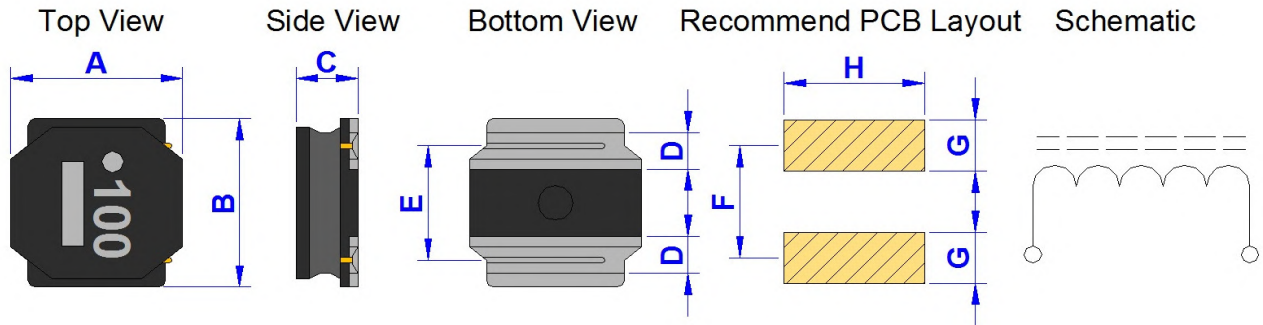
■ The saturation current value (Isat) is the DC current value having inductance decrease down to 30%. (at 20°C)

■ The temperature rise current value (Iirms) DC current value having temperature increase up to 40deg.C (at 20°C)

Product Series : GNRT	Brand : GOTREND
File Version : GNRT-SERIES-V2R1	Editor : Teddy Sun
Established Date : 2012.02.17	Description : SMD Shielded Power Inductor
Latest Edit Date : 2020.10.30	Product Type : <input checked="" type="checkbox"/> Standard <input type="checkbox"/> Customize

GNRT5012PB-SERIES

Dimension [mm] :



Size Code	A	B	C (Max.)	D (+/-0.2)	E (+/-0.2)	F (Ref.)	G (Ref.)	H (Ref.)
5012PB	4.90 +/-0.2	4.90 +/-0.2	1.20	1.20	3.30	3.60	1.50	4.00

Electrical Characteristics :

GOTREND PN	Inductance (uH)	L-Tolerance	RDC (m Ohm) Typ.	RDC (m Ohm) Max.	Isat (mA) Max.	Irms (mA) Typ.
GNRT5012PB-1R0□	1.00	N	53.0	63.6	4500	2300
GNRT5012PB-1R5□	1.50	N	70.0	84.0	3800	2200
GNRT5012PB-2R2□	2.20	M	85.0	102.0	3100	2000
GNRT5012PB-3R3□	3.30	M	160.0	192.0	2400	1450
GNRT5012PB-4R7□	4.70	M	180.0	216.0	2200	1400
GNRT5012PB-6R8□	6.80	M	260.0	312.0	1700	1100
GNRT5012PB-100□	10.00	M	420.0	504.0	1400	850
GNRT5012PB-150□	15.00	M	670.0	804.0	1200	640

■ Inductance test Freq. : 100KHz / 1.0V

■ L-Tolerance : N = 30% , M = 20%

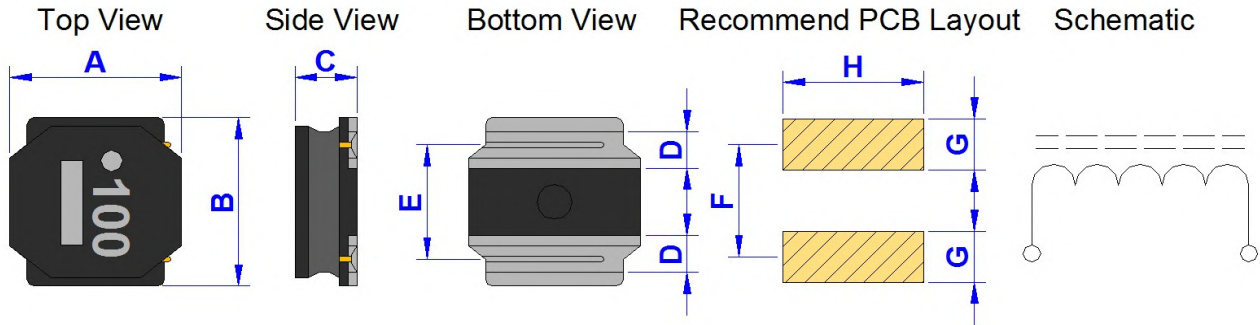
■ The saturation current value (Isat) is the DC current value having inductance decrease down to 30%. (at 20°C)

■ The temperature rise current value (Iirms) DC current value having temperature increase up to 40deg.C (at 20°C)

Product Series : GNRT	Brand : GOTREND
File Version : GNRT-SERIES-V2R1	Editor : Teddy Sun
Established Date : 2012.02.17	Description : SMD Shielded Power Inductor
Latest Edit Date : 2020.10.30	Product Type : <input checked="" type="checkbox"/> Standard <input type="checkbox"/> Customize

GNRT5020PB-SERIES

Dimension [mm] :



Size Code	A	B	C (Max.)	D (+/-0.2)	E (+/-0.2)	F (Ref.)	G (Ref.)	H (Ref.)
5020PB	4.90 +/-0.2	4.90 +/-0.2	2.00	1.20	3.30	3.60	1.50	4.00

Electrical Characteristics :

GOTREND PN	Inductance (uH)	L-Tolerance	RDC (m Ohm) Typ.	RDC (m Ohm) Max.	Isat (mA) Max.	Irms (mA) Typ.
GNRT5020PB-1R0□	1.00	N	21.0	25.2	4000	3600
GNRT5020PB-1R5□	1.50	N	26.0	31.2	3350	3200
GNRT5020PB-2R2□	2.20	N	35.0	42.0	2900	2900
GNRT5020PB-3R3□	3.30	N	48.0	57.6	2400	2400
GNRT5020PB-4R7□	4.70	M	60.0	72.0	2000	2000
GNRT5020PB-6R8□	6.80	M	90.0	108.0	1600	1650
GNRT5020PB-100□	10.00	M	120.0	144.0	1300	1450
GNRT5020PB-150□	15.00	M	165.0	198.0	1100	1200
GNRT5020PB-220□	22.00	M	260.0	312.0	900	1000

■ Inductance test Freq. : 100KHz / 1.0V

■ L-Tolerance : N = 30% , M = 20%

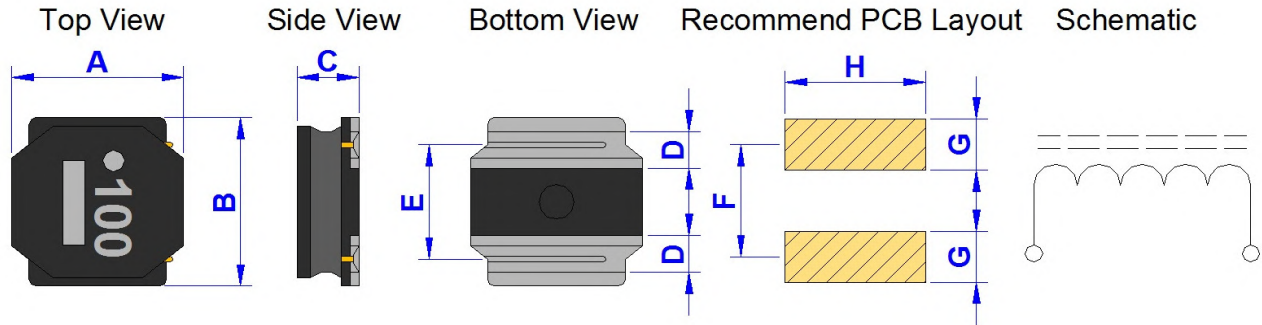
■ The saturation current value (Isat) is the DC current value having inductance decrease down to 30%. (at 20°C)

■ The temperature rise current value (Irms) DC current value having temperature increase up to 40deg.C (at 20°C)

Product Series : GNRT	Brand : GOTREND
File Version : GNRT-SERIES-V2R1	Editor : Teddy Sun
Established Date : 2012.02.17	Description : SMD Shielded Power Inductor
Latest Edit Date : 2020.10.30	Product Type : <input checked="" type="checkbox"/> Standard <input type="checkbox"/> Customize

GNRT5040PB-SERIES

Dimension [mm] :



Size Code	A	B	C (Max.)	D (+/-0.2)	E (+/-0.2)	F (Ref.)	G (Ref.)	H (Ref.)
5040PB	4.90 +/-0.2	4.90 +/-0.2	4.00	1.20	3.30	3.60	1.50	4.00

Electrical Characteristics :

GOTREND PN	Inductance (uH)	L-Tolerance	RDC (m Ohm) Typ.	RDC (m Ohm) Max.	Isat (mA) Max.	Irms (mA) Typ.
GNRT5040PB-1R5□	1.50	N	17.0	20.4	6400	4500
GNRT5040PB-2R2□	2.20	N	22.0	26.4	5000	3700
GNRT5040PB-3R3□	3.30	N	27.0	32.4	4000	3300
GNRT5040PB-4R7□	4.70	N	29.0	34.8	3300	3100
GNRT5040PB-6R8□	6.80	M	49.0	58.8	2800	2400
GNRT5040PB-100□	10.00	M	56.0	67.2	2300	2100
GNRT5040PB-150□	15.00	M	80.0	96.0	2000	1800
GNRT5040PB-220□	22.00	M	126.0	151.2	1500	1400

■ Inductance test Freq. : 100KHz / 1.0V

■ L-Tolerance : N = 30% , M = 20%

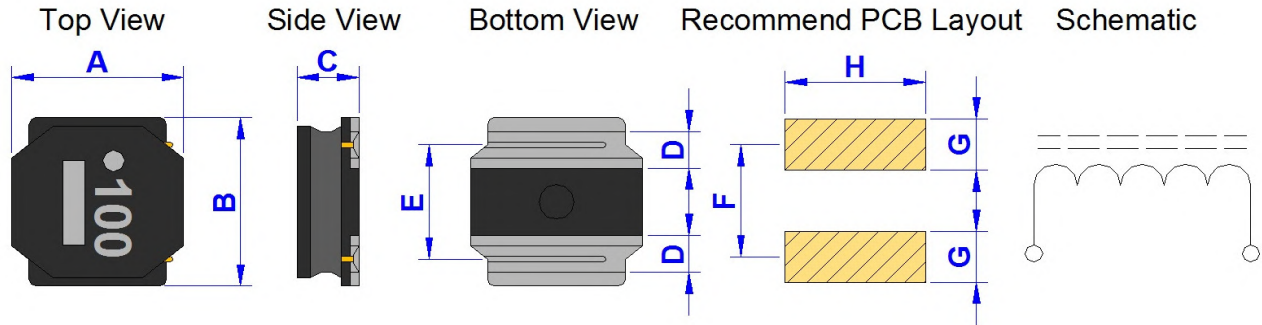
■ The saturation current value (Isat) is the DC current value having inductance decrease down to 30%. (at 20°C)

■ The temperature rise current value (Irms) DC current value having temperature increase up to 40deg.C (at 20°C)

Product Series : GNRT	Brand : GOTREND
File Version : GNRT-SERIES-V2R1	Editor : Teddy Sun
Established Date : 2012.02.17	Description : SMD Shielded Power Inductor
Latest Edit Date : 2020.10.30	Product Type : <input checked="" type="checkbox"/> Standard <input type="checkbox"/> Customize

GNRT6010PB-SERIES

Dimension [mm] :



Size Code	A	B	C (Max.)	D (+/-0.2)	E (+/-0.2)	F (Ref.)	G (Ref.)	H (Ref.)
6010PB	6.00 +/-0.2	6.00 +/-0.2	1.00	1.35	4.00	4.70	1.60	5.70

Electrical Characteristics :

GOTREND PN	Inductance (uH)	L-Tolerance	RDC (m Ohm) Typ.	RDC (m Ohm) Max.	Isat (mA) Max.	Irms (mA) Typ.
GNRT6010PB-1R5□	1.50	M	90.0	108.0	2400	1900
GNRT6010PB-2R2□	2.20	M	110.0	132.0	1900	1700
GNRT6010PB-3R3□	3.30	M	135.0	162.0	1600	1500
GNRT6010PB-4R7□	4.70	M	165.0	198.0	1300	1400
GNRT6010PB-6R8□	6.80	M	220.0	264.0	1200	1200
GNRT6010PB-100□	10.00	M	270.0	324.0	1000	1100
GNRT6010PB-220□	22.00	M	580.0	696.0	650	700

■ Inductance test Freq. : 100KHz / 1.0V

■ L-Tolerance : M = 20%

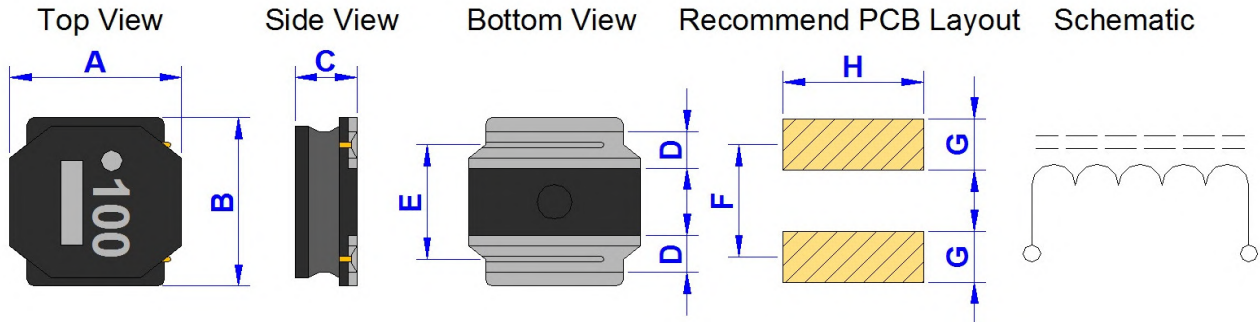
■ The saturation current value (Isat) is the DC current value having inductance decrease down to 30%. (at 20°C)

■ The temperature rise current value (I_{rms}) DC current value having temperature increase up to 40deg.C (at 20°C)

Product Series : GNRT	Brand : GOTREND
File Version : GNRT-SERIES-V2R1	Editor : Teddy Sun
Established Date : 2012.02.17	Description : SMD Shielded Power Inductor
Latest Edit Date : 2020.10.30	Product Type : <input checked="" type="checkbox"/> Standard <input type="checkbox"/> Customize

GNRT6012PB-SERIES

Dimension [mm] :



Size Code	A	B	C (Max.)	D (+/-0.2)	E (+/-0.2)	F (Ref.)	G (Ref.)	H (Ref.)
6012PB	6.00 +/-0.2	6.00 +/-0.2	1.20	1.35	4.00	4.70	1.60	5.70

Electrical Characteristics :

GOTREND PN	Inductance (uH)	L-Tolerance	RDC (m Ohm) Typ.	RDC (m Ohm) Max.	Isat (mA) Max.	Irms (mA) Typ.
GNRT6012PB-2R5□	2.50	N	90.0	108.0	2100	1800
GNRT6012PB-3R3□	3.30	N	105.0	126.0	1800	1700
GNRT6012PB-4R7□	4.70	M	125.0	150.0	1600	1550
GNRT6012PB-5R3□	5.30	M	145.0	174.0	1500	1450
GNRT6012PB-6R8□	6.80	M	165.0	198.0	1300	1350
GNRT6012PB-100□	10.00	M	200.0	240.0	1000	1200
GNRT6012PB-150□	15.00	M	295.0	354.0	800	800
GNRT6012PB-220□	22.00	M	465.0	558.0	760	650
GNRT6012PB-330□	33.00	M	580.0	696.0	590	550
GNRT6012PB-470□	47.00	M	965.0	1158.0	520	460
GNRT6012PB-680□	68.00	M	1160.0	1392.0	440	410
GNRT6012PB-101□	100.00	M	1670.0	2004.0	350	320

■ Inductance test Freq. : 100KHz / 1.0V

■ L-Tolerance : N = 30% , M = 20%

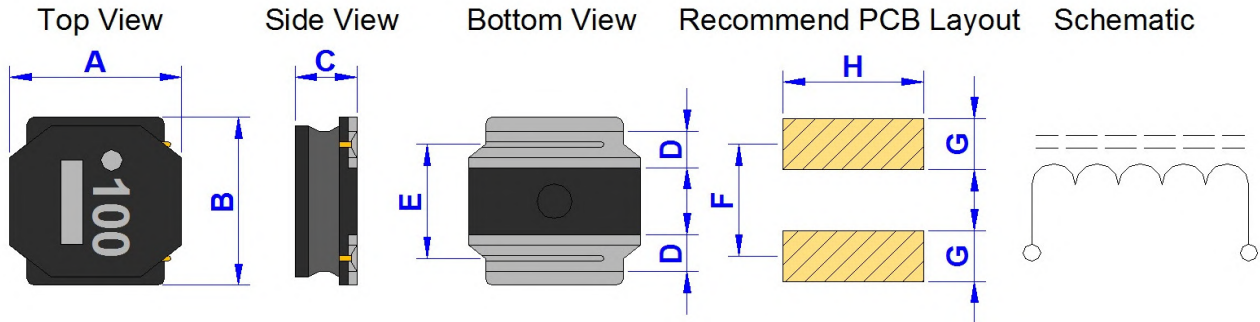
■ The saturation current value (Isat) is the DC current value having inductance decrease down to 30%. (at 20°C)

■ The temperature rise current value (Irms) DC current value having temperature increase up to 40deg.C (at 20°C)

Product Series : GNRT	Brand : GOTREND
File Version : GNRT-SERIES-V2R1	Editor : Teddy Sun
Established Date : 2012.02.17	Description : SMD Shielded Power Inductor
Latest Edit Date : 2020.10.30	Product Type : <input checked="" type="checkbox"/> Standard <input type="checkbox"/> Customize

GNRT6020PB-SERIES

Dimension [mm] :



Size Code	A	B	C (Max.)	D (+/-0.2)	E (+/-0.2)	F (Ref.)	G (Ref.)	H (Ref.)
6020PB	6.00 +/-0.2	6.00 +/-0.2	2.00	1.35	4.00	4.70	1.60	5.70

Electrical Characteristics :

GOTREND PN	Inductance (uH)	L-Tolerance	RDC (m Ohm) Typ.	RDC (m Ohm) Max.	Isat (mA) Max.	Irms (mA) Typ.
GNRT6020PB-R80□	0.80	N	20.0	24.0	6400	4100
GNRT6020PB-1R5□	1.50	N	26.0	31.2	4300	3600
GNRT6020PB-2R2□	2.20	N	34.0	40.8	3200	2900
GNRT6020PB-3R3□	3.30	N	40.0	48.0	2800	2750
GNRT6020PB-4R7□	4.70	N	58.0	69.6	2400	2150
GNRT6020PB-6R8□	6.80	N	85.0	102.0	2000	1800
GNRT6020PB-100□	10.00	M	125.0	150.0	1900	1500
GNRT6020PB-220□	22.00	M	290.0	348.0	1250	950

■ Inductance test Freq. : 100KHz / 1.0V

■ L-Tolerance : N = 30% , M = 20%

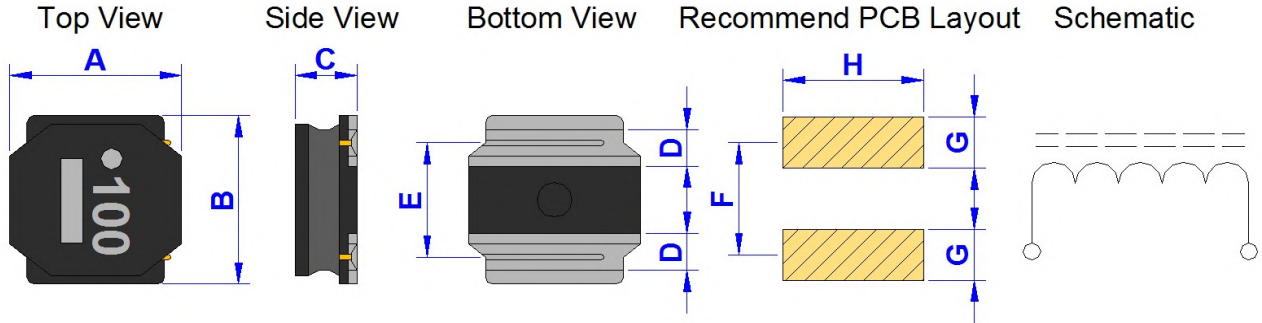
■ The saturation current value (Isat) is the DC current value having inductance decrease down to 30%. (at 20°C)

■ The temperature rise current value (Iirms) DC current value having temperature increase up to 40deg.C (at 20°C)

Product Series : GNRT	Brand : GOTREND
File Version : GNRT-SERIES-V2R1	Editor : Teddy Sun
Established Date : 2012.02.17	Description : SMD Shielded Power Inductor
Latest Edit Date : 2020.10.30	Product Type : <input checked="" type="checkbox"/> Standard <input type="checkbox"/> Customize

GNRT6028PB-SERIES

Dimension [mm] :



Size Code	A	B	C (Max.)	D (+/-0.2)	E (+/-0.2)	F (Ref.)	G (Ref.)	H (Ref.)
6028PB	6.00 +/-0.2	6.00 +/-0.2	2.80	1.35	4.00	4.70	1.60	5.70

Electrical Characteristics :

GOTREND PN	Inductance (uH)	L-Tolerance	RDC (m Ohm) Typ.	RDC (m Ohm) Max.	Isat (mA) Max.	Irms (mA) Typ.
GNRT6028PB-R90□	0.90	N	13.0	15.6	6700	4600
GNRT6028PB-1R5□	1.50	N	16.0	19.2	5100	4200
GNRT6028PB-2R2□	2.20	N	20.0	24.0	4200	3700
GNRT6028PB-3R0□	3.00	N	23.0	27.6	3600	3400
GNRT6028PB-4R7□	4.70	M	31.0	37.2	2700	3000
GNRT6028PB-6R0□	6.00	M	40.0	48.0	2500	2500
GNRT6028PB-100□	10.00	M	65.0	78.0	1900	1900
GNRT6028PB-150□	15.00	M	95.0	114.0	1600	1800
GNRT6028PB-220□	22.00	M	135.0	162.0	1300	1400
GNRT6028PB-330□	33.00	M	220.0	264.0	1100	1100
GNRT6028PB-470□	47.00	M	300.0	360.0	1000	920
GNRT6028PB-680□	68.00	M	420.0	504.0	800	770
GNRT6028PB-101□	100.00	M	600.0	720.0	650	660

■ Inductance test Freq. : 100KHz / 1.0V

■ L-Tolerance : N = 30% , M = 20%

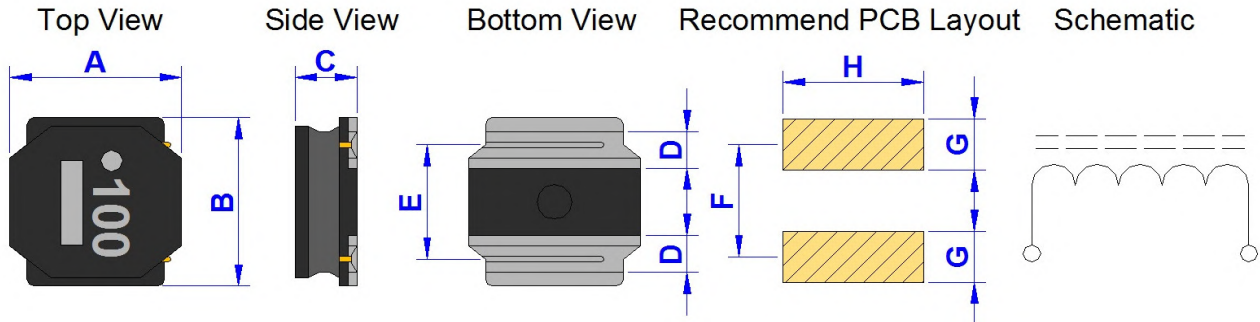
■ The saturation current value (Isat) is the DC current value having inductance decrease down to 30%. (at 20°C)

■ The temperature rise current value (Iirms) DC current value having temperature increase up to 40deg.C (at 20°C)

Product Series : GNRT	Brand : GOTREND
File Version : GNRT-SERIES-V2R1	Editor : Teddy Sun
Established Date : 2012.02.17	Description : SMD Shielded Power Inductor
Latest Edit Date : 2020.10.30	Product Type : <input checked="" type="checkbox"/> Standard <input type="checkbox"/> Customize

GNRT6045PB-SERIES

Dimension [mm] :



Size Code	A	B	C (Max.)	D (+/-0.2)	E (+/-0.2)	F (Ref.)	G (Ref.)	H (Ref.)
6045PB	6.00 +/-0.2	6.00 +/-0.2	4.50	1.35	4.00	4.70	1.60	5.70

Electrical Characteristics :

GOTREND PN	Inductance (uH)	L-Tolerance	RDC (m Ohm) Typ.	RDC (m Ohm) Max.	Isat (mA) Max.	Irms (mA) Typ.
GNRT6045PB-1R0□	1.00	N	14.0	16.8	9800	4500
GNRT6045PB-1R3□	1.30	N	16.0	19.2	8200	4200
GNRT6045PB-2R3□	2.30	N	22.0	26.4	6400	3600
GNRT6045PB-3R0□	3.00	N	24.0	28.8	5600	3300
GNRT6045PB-4R5□	4.50	M	30.0	36.0	4400	3100
GNRT6045PB-100□	10.00	M	46.0	55.2	3100	2400
GNRT6045PB-150□	15.00	M	70.0	84.0	2500	1900
GNRT6045PB-220□	22.00	M	107.0	128.4	2000	1600

■ Inductance test Freq. : 100KHz / 1.0V

■ L-Tolerance : N = 30% , M = 20%

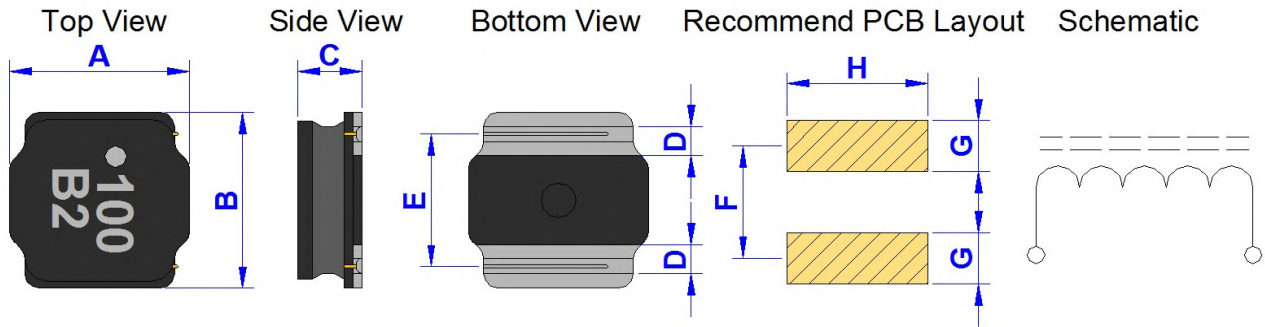
■ The saturation current value (Isat) is the DC current value having inductance decrease down to 30%. (at 20°C)

■ The temperature rise current value (Irms) DC current value having temperature increase up to 40deg.C (at 20°C)

Product Series : GNRT	Brand : GOTREND
File Version : GNRT-SERIES-V2R1	Editor : Teddy Sun
Established Date : 2012.02.17	Description : SMD Shielded Power Inductor
Latest Edit Date : 2020.10.30	Product Type : <input checked="" type="checkbox"/> Standard <input type="checkbox"/> Customize

GNRT8030PB-SERIES

Dimension [mm] :



Size Code	A	B	C (Max.)	D (+/-0.2)	E (+/-0.2)	F (Ref.)	G (Ref.)	H (Ref.)
8030PB	8.00 +/-0.2	8.00 +/-0.2	3.00	1.60	5.60	5.60	1.80	7.50

Electrical Characteristics :

GOTREND PN	Inductance (uH)	L-Tolerance	RDC (m Ohm) Typ.	RDC (m Ohm) Max.	Isat (mA) Max.	Irms (mA) Typ.
GNRT8030PB-1R0□	1.00	N	9.0	10.8	7800	6200
GNRT8030PB-1R5□	1.50	N	12.0	14.4	6200	5300
GNRT8030PB-2R2□	2.20	N	15.0	18.0	4900	4800
GNRT8030PB-3R3□	3.30	M	19.0	22.8	4200	4300
GNRT8030PB-4R7□	4.70	M	22.0	26.4	3600	4000
GNRT8030PB-6R8□	6.80	M	29.0	34.8	3000	3400
GNRT8030PB-100□	10.00	M	33.0	39.6	2400	3000
GNRT8030PB-150□	15.00	M	60.0	72.0	2000	2200
GNRT8030PB-220□	22.00	M	70.0	84.0	1750	1900

■ Inductance test Freq. : 100KHz / 1.0V

■ L-Tolerance : N = 30% , M = 20%

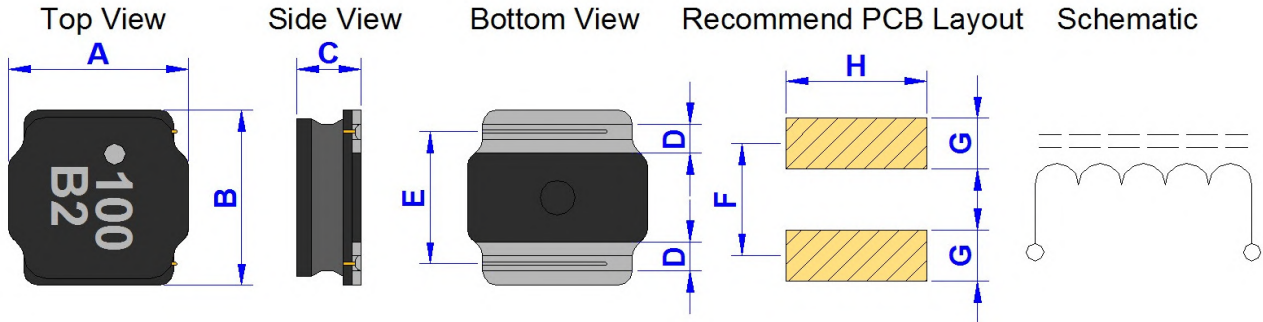
■ The saturation current value (Isat) is the DC current value having inductance decrease down to 30%. (at 20°C)

■ The temperature rise current value (Irms) DC current value having temperature increase up to 40deg.C (at 20°C)

Product Series : GNRT	Brand : GOTREND
File Version : GNRT-SERIES-V2R1	Editor : Teddy Sun
Established Date : 2012.02.17	Description : SMD Shielded Power Inductor
Latest Edit Date : 2020.10.30	Product Type : <input checked="" type="checkbox"/> Standard <input type="checkbox"/> Customize

GNRT8040PB-SERIES

Dimension [mm] :



Size Code	A	B	C (Max.)	D (+/-0.2)	E (+/-0.2)	F (Ref.)	G (Ref.)	H (Ref.)
8040PB	8.00 +/-0.2	8.00 +/-0.2	4.00	1.60	5.60	5.60	1.80	7.50

Electrical Characteristics :

GOTREND PN	Inductance (uH)	L-Tolerance	RDC (m Ohm) Typ.	RDC (m Ohm) Max.	Isat (mA) Max.	Irms (mA) Typ.
GNRT8040PB-R90□	0.90	N	6.0	7.2	13000	7800
GNRT8040PB-1R4□	1.40	N	7.0	8.4	10000	7000
GNRT8040PB-2R0□	2.00	N	9.0	10.8	8100	6300
GNRT8040PB-3R6□	3.60	N	15.0	18.0	6400	4900
GNRT8040PB-4R7□	4.70	N	18.0	21.6	5400	4100
GNRT8040PB-6R8□	6.80	N	25.0	30.0	4400	3700
GNRT8040PB-100□	10.00	M	34.0	40.8	3800	3100
GNRT8040PB-150□	15.00	M	50.0	60.0	2900	2400
GNRT8040PB-220□	22.00	M	66.0	79.2	2400	2200

■ Inductance test Freq. : 100KHz / 1.0V

■ L-Tolerance : N = 30% , M = 20%

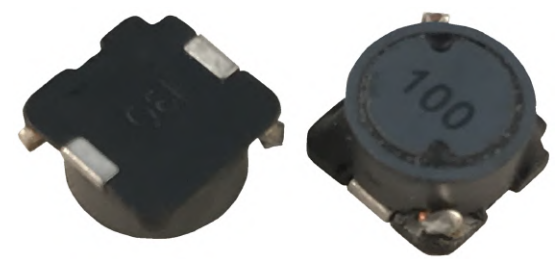
■ The saturation current value (Isat) is the DC current value having inductance decrease down to 30%. (at 20°C)

■ The temperature rise current value (Irms) DC current value having temperature increase up to 40deg.C (at 20°C)

Product Series : GSBS	Brand : GOTREND
File Version : GSBS-SERIES-V4R0	Editor : Teddy Sun
Established Date : 2009.06.10	Description : SMD Drum Choke with Shielding
Latest Edit Date : 2020.10.30	Product Type : <input checked="" type="checkbox"/> Standard <input type="checkbox"/> Customize

Features & Application :

- * Drum Choke with Shielding for good in EMI performance.
- * Fit for power line & signal line circuit
- * To help you go pass the CE/FCC standard.
- * Mobile Device / Handheld Device / LowProfile Device / Panel...



(Picture for reference only)

Part No. Example :

PN	:	GSBS	73	P	-	220	M
-----		-----	-----	---		-----	----
ID	:	1	2	3		4	5
1	:	GOTREND Series : GSBS					
2	:	Size Code LxWxH: 73=7.4x7.4x3.5 mm					
3	:	P=Pb free < 1000ppm					
4	:	[L] Value : 220=22uH					
5	:	Tolerance, K=+/-10%, M=+/-20%					

Basic Information :

Made in	China
Pin Foot	SMD
Shielding	Yes
J-STD-020	MSL Level 1
RoHS	Compliant
REACH	Compliant
Halogen	Free

Operating & Storage Condition :

- * Operating Temp -40 ~ +125 deg.C (Including self - temperature rise)
- * Storage Temp 1. -10 ~ +45 deg.C , 50 ~ 60% RH (Product with taping)
2. -40 ~ +125 deg.C (On board)
- * Storage Life Time 6 Month (Less than 40 deg.C and 60% RH)

Attention & Caution :

- * Keep out of Splashing water or salt water
- * Avoid Toxic Gas (Hydrogen sulfide, Sulfurous acid, Chlorine, Ammonia)
- * Avoid Vibrations or shocks which exceed the specified condition
- * Avoid Dew condense
- * Avoid Layout near the edge of PCB
- * Avoid Over flexure after SMT mounting & PCBA
- * Pin foot or SMD pad solderability: Pb free type is best within 6 months after delivery
- * Humidity sensitive , IPC/JEDEC J-STD-020 MSL if over Level 1, recommend bake 30mins@150 degree before PCBA
- * Caution for human life relative applications : PLS contact & consult with GOTREND team in design stage.

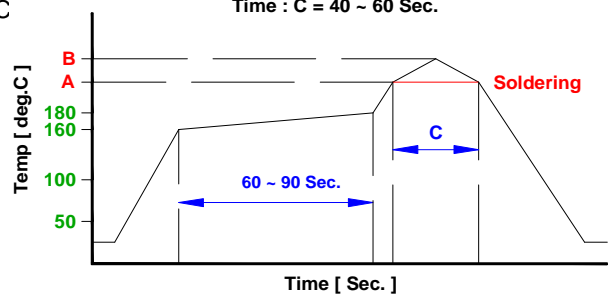


Test Condition :

- * Equipment HP4284A , HP42841A - L , Q , DCR , IDC
HP8753D Network analyzer - SRF
- * Standard Atmosphere Conditions:
Ambient Temperature 20 ± 15 deg.C
Humidity RH 65 ± 20%
- * If there may be any doubt on the test result ,
Measurement shall be made within the following limits:
Ambient Temperature 25 ± 5 deg.C
Humidity RH 75 ± 10%

Recommend IR Reflow Curve : GTX-IR-FILE001

Lead Free Solder : A = 217 deg.C , B = 245+/-5 deg.C
Time : C = 40 ~ 60 Sec.

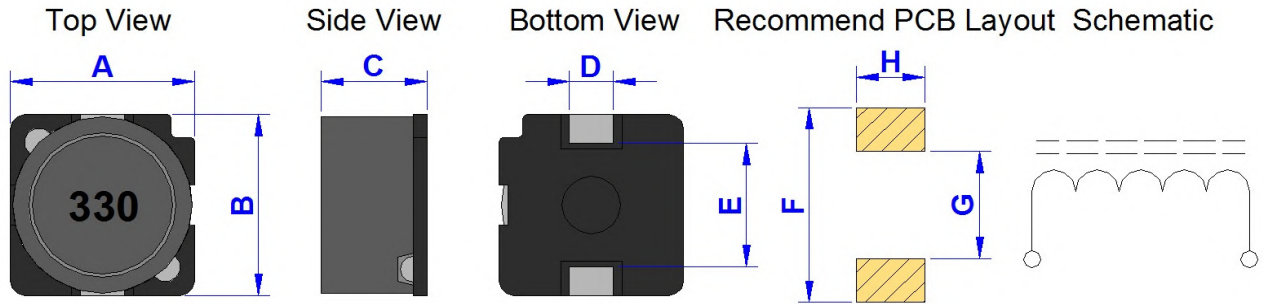


**Notice : Iron Soldering , Solder < 30 Watt ,
Direct touch the terminal x 3 Sec. Max. @ 350 deg.C**

Product Series : GSBS	Brand : GOTREND
File Version : GSBS-SERIES-V4R0	Editor : Teddy Sun
Established Date : 2009.06.10	Description : SMD Drum Choke with Shielding
Latest Edit Date : 2020.10.30	Product Type : <input checked="" type="checkbox"/> Standard <input type="checkbox"/> Customize

GSBS63P-SERIES

Dimension [mm] :



A (Max.)	B (Max.)	C (Max.)	D (+/-0.2)	E (Ref.)	F (Ref.)	G (Ref.)	H (Ref.)
6.2	6.2	3.0	1.8	3.0	6.6	2.6	2.4

Electrical Characteristics :

Part No.	L - Value (uH)	Test Freq. (KHz)0.25V	DCR (ohm) Max.	IDC (A) Max.
GSBS63P-2R2	2.2	100	0.027	2.50
GSBS63P-3R3	3.3	100	0.036	2.10
GSBS63P-4R7	4.7	100	0.050	1.90
GSBS63P-100	10.0	1	0.150	1.10
GSBS63P-120	12.0	1	0.200	1.00
GSBS63P-150	15.0	1	0.230	0.90
GSBS63P-180	18.0	1	0.270	0.80
GSBS63P-220	22.0	1	0.340	0.74
GSBS63P-270	27.0	1	0.380	0.66
GSBS63P-330	33.0	1	0.450	0.59
GSBS63P-390	39.0	1	0.490	0.54
GSBS63P-470	47.0	1	0.690	0.50
GSBS63P-560	56.0	1	0.780	0.46
GSBS63P-680	68.0	1	1.070	0.42
GSBS63P-820	82.0	1	1.210	0.38
GSBS63P-101	100.0	1	1.390	0.34
GSBS63P-121	120.0	1	1.900	0.31
GSBS63P-151	150.0	1	2.180	0.28
GSBS63P-181	180.0	1	2.770	0.26
GSBS63P-221	220.0	1	3.120	0.23
GSBS63P-271	270.0	1	4.380	0.22
GSBS63P-331	330.0	1	4.940	0.19

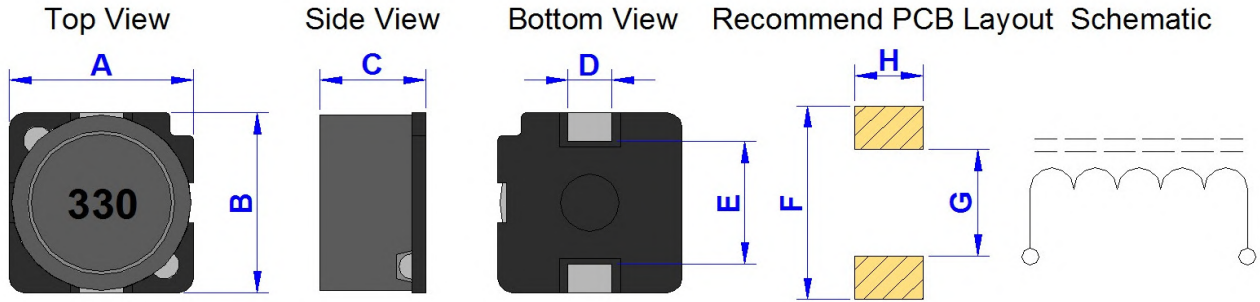
* Tolerance Code: K=± 10%,M=± 20%

* IDC : Base on L drop 10% Max. and temp. rise up 40deg.C Max.

Product Series : GSBS	Brand : GOTREND
File Version : GSBS-SERIES-V4R0	Editor : Teddy Sun
Established Date : 2009.06.10	Description : SMD Drum Choke with Shielding
Latest Edit Date : 2020.10.30	Product Type : <input checked="" type="checkbox"/> Standard <input type="checkbox"/> Customize

GSBS73P-SERIES

Dimension [mm] :



A (Max.)	B (Max.)	C (Max.)	D (+/-0.2)	E (Ref.)	F (Ref.)	G (Ref.)	H (Ref.)
7.4	7.4	3.5	2.0	5.4	7.8	5.0	2.6

Electrical Characteristics :

Part No.	L - Value (uH)	Test Freq. (KHz)0.25V	DCR (ohm) Max.	IDC (A) Max.
GSBS73P-1R0	1.0	100	0.019	3.12
GSBS73P-1R5	1.5	100	0.023	2.85
GSBS73P-2R2	2.2	100	0.028	2.66
GSBS73P-3R3	3.3	100	0.035	2.26
GSBS73P-4R7	4.7	100	0.043	1.96
GSBS73P-6R8	6.8	100	0.055	1.76
GSBS73P-100	10.0	1	0.080	1.34
GSBS73P-120	12.0	1	0.090	1.23
GSBS73P-150	15.0	1	0.120	1.09
GSBS73P-180	18.0	1	0.130	0.99
GSBS73P-220	22.0	1	0.150	0.90
GSBS73P-270	27.0	1	0.210	0.81
GSBS73P-330	33.0	1	0.250	0.72
GSBS73P-390	39.0	1	0.310	0.67
GSBS73P-470	47.0	1	0.350	0.60
GSBS73P-560	56.0	1	0.430	0.55
GSBS73P-680	68.0	1	0.520	0.50
GSBS73P-820	82.0	1	0.600	0.46
GSBS73P-101	100.0	1	0.790	0.41

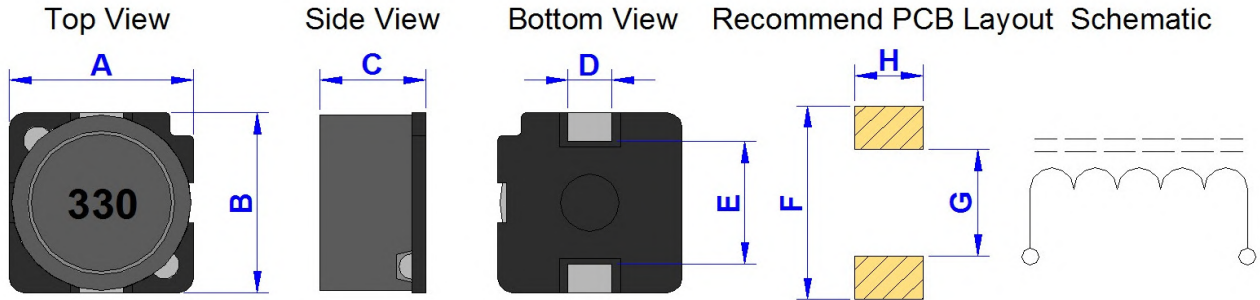
* Tolerance Code: K=± 10%,M=± 20%

* IDC : Base on L drop 10% Max. and temp. rise up 40deg.C Max.

Product Series : GSBS	Brand : GOTREND
File Version : GSBS-SERIES-V4R0	Editor : Teddy Sun
Established Date : 2009.06.10	Description : SMD Drum Choke with Shielding
Latest Edit Date : 2020.10.30	Product Type : <input checked="" type="checkbox"/> Standard <input type="checkbox"/> Customize

GSBS74P-SERIES

Dimension [mm] :



A (Max.)	B (Max.)	C (Max.)	D (+/-0.2)	E (Ref.)	F (Ref.)	G (Ref.)	H (Ref.)
7.4	7.4	4.5	2.0	5.4	7.8	5.0	2.6

Electrical Characteristics :

Part No.	L - Value (uH)	Test Freq. (KHz)0.25V	DCR (ohm) Max.	IDC (A) Max.
GSBS74P-1R0	1.0	100	0.023	2.880
GSBS74P-1R5	1.5	100	0.027	2.610
GSBS74P-2R2	2.2	100	0.030	2.460
GSBS74P-3R3	3.3	100	0.035	2.280
GSBS74P-4R7	4.7	100	0.041	2.080
GSBS74P-6R8	6.8	100	0.047	1.940
GSBS74P-100	10.0	1	0.050	1.680
GSBS74P-120	12.0	1	0.070	1.540
GSBS74P-150	15.0	1	0.080	1.390
GSBS74P-180	18.0	1	0.090	1.260
GSBS74P-220	22.0	1	0.110	1.130
GSBS74P-270	27.0	1	0.150	1.020
GSBS74P-330	33.0	1	0.170	0.840
GSBS74P-390	39.0	1	0.180	0.800
GSBS74P-470	47.0	1	0.200	0.760
GSBS74P-560	56.0	1	0.280	0.640
GSBS74P-680	68.0	1	0.320	0.600
GSBS74P-820	82.0	1	0.350	0.570
GSBS74P-101	100.0	1	0.400	0.500
GSBS74P-221	220.0	1	0.620	0.330
GSBS74P-331	330.0	1	0.940	0.270

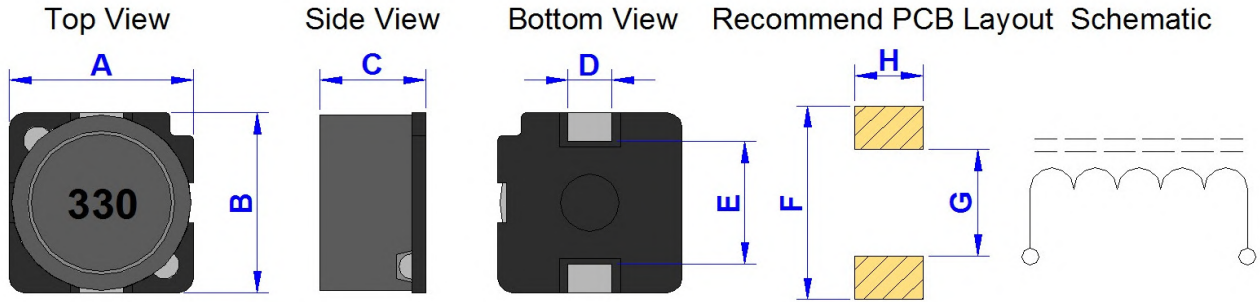
* Tolerance Code: K=± 10%,M=± 20%

* IDC : Base on L drop 10% Max. and temp. rise up 40deg.C Max.

Product Series : GSBS	Brand : GOTREND
File Version : GSBS-SERIES-V4R0	Editor : Teddy Sun
Established Date : 2009.06.10	Description : SMD Drum Choke with Shielding
Latest Edit Date : 2020.10.30	Product Type : <input checked="" type="checkbox"/> Standard <input type="checkbox"/> Customize

GSBS104P-SERIES

Dimension [mm] :



A (Max.)	B (Max.)	C (Max.)	D (+/-0.2)	E (Ref.)	F (Ref.)	G (Ref.)	H (Ref.)
10.4	10.4	4.8	3.0	6.5	10.8	6.1	3.6

Electrical Characteristics :

Part No.	L - Value (uH)	Test Freq. (KHz)0.25V	DCR (ohm) +/-20%	IDC (A) Max.
GSBS104P-4R7□	4.7	100	0.034	3.60
GSBS104P-6R8□	6.8	100	0.035	3.50
GSBS104P-100□	10.0	1	0.036	3.00
GSBS104P-150□	15.0	1	0.047	2.40
GSBS104P-220□	22.0	1	0.059	2.10
GSBS104P-330□	33.0	1	0.082	1.60
GSBS104P-470□	47.0	1	0.100	1.40
GSBS104P-680□	68.0	1	0.140	1.20
GSBS104P-820□	82.0	1	0.182	1.00
GSBS104P-101□	100.0	1	0.200	1.00
GSBS104P-151□	150.0	1	0.350	0.79
GSBS104P-221□	220.0	1	0.470	0.65
GSBS104P-331□	330.0	1	0.680	0.54
GSBS104P-471□	470.0	1	1.030	0.47
GSBS104P-681□	680.0	1	1.600	0.38
GSBS104P-102□	1000.0	1	2.800	0.32
GSBS104P-152□	1500.0	1	3.400	0.22

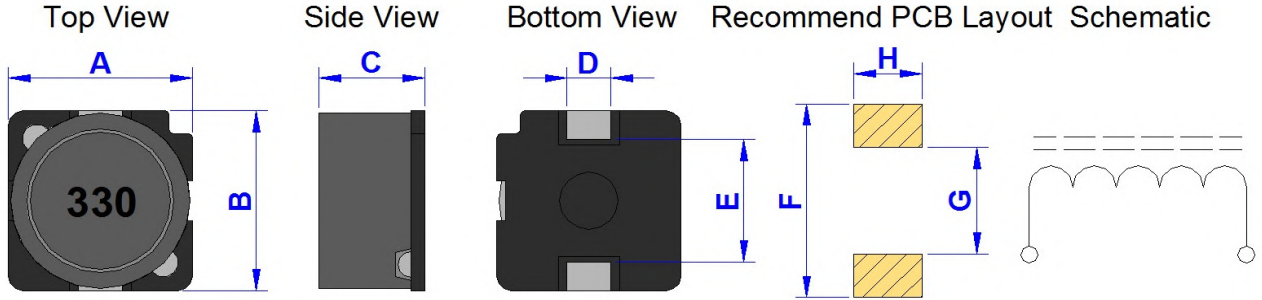
* Tolerance Code: M=± 20%

* IDC : Base on L drop 10% Max. and temp. rise up 40deg.C Max.

Product Series : GSBS	Brand : GOTREND
File Version : GSBS-SERIES-V4R0	Editor : Teddy Sun
Established Date : 2009.06.10	Description : SMD Drum Choke with Shielding
Latest Edit Date : 2020.10.30	Product Type : <input checked="" type="checkbox"/> Standard <input type="checkbox"/> Customize

GSBS126P-SERIES

Dimension [mm] :



A (Max.)	B (Max.)	C (Max.)	D (+/-0.2)	E (Ref.)	F (Ref.)	G (Ref.)	H (Ref.)
12.8	12.8	5.8	3.0	8.6	13.2	8.2	3.6

Electrical Characteristics :

Part No.	L - Value (uH)	Test Freq. (KHz)0.25V	DCR (ohm) +/-20%	IDC (A) Max.
GSBS126P-6R0	6.0	100	0.016	3.60
GSBS126P-100	10.0	1	0.022	3.40
GSBS126P-150	15.0	1	0.026	2.80
GSBS126P-220	22.0	1	0.034	2.30
GSBS126P-330	33.0	1	0.042	1.90
GSBS126P-470	47.0	1	0.062	1.60
GSBS126P-680	68.0	1	0.083	1.30
GSBS126P-101	100.0	1	0.117	1.10
GSBS126P-151	150.0	1	0.190	0.88
GSBS126P-221	220.0	1	0.270	0.72
GSBS126P-331	330.0	1	0.410	0.59
GSBS126P-471	470.0	1	0.520	0.49
GSBS126P-681	680.0	1	0.760	0.43
GSBS126P-102	1000.0	1	1.120	0.34
GSBS126P-152	1500.0	1	1.800	0.29

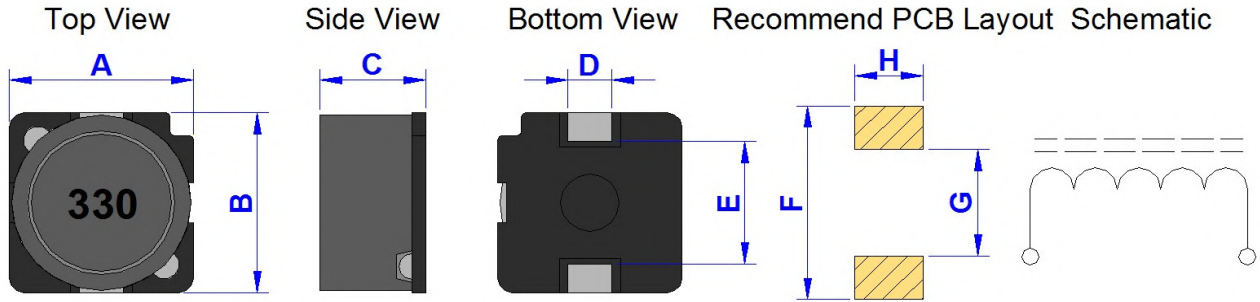
* Tolerance Code: 6.0uH N=± 30% ,10.0~1500uH M=± 20%

* IDC : Base on L drop 10% Max. and temp. rise up 40deg.C Max.

Product Series : GSBS	Brand : GOTREND
File Version : GSBS-SERIES-V4R0	Editor : Teddy Sun
Established Date : 2009.06.10	Description : SMD Drum Choke with Shielding
Latest Edit Date : 2020.10.30	Product Type : <input checked="" type="checkbox"/> Standard <input type="checkbox"/> Customize

GSBS127P-SERIES

Dimension [mm] :



A (Max.)	B (Max.)	C (Max.)	D (+/-0.2)	E (Ref.)	F (Ref.)	G (Ref.)	H (Ref.)
12.8	12.8	6.8	3.0	8.6	13.2	8.2	3.6

Electrical Characteristics :

Part No.	L - Value (uH)	Test Freq. (KHz)0.25V	DCR (ohm) +/-20%	IDC (A) Max.
GSBS127P-2R0□	2.0	100	0.012	10.0
GSBS127P-4R2□	4.2	100	0.015	7.3
GSBS127P-7R0□	7.0	100	0.018	5.7
GSBS127P-100□	10.0	1	0.020	5.0
GSBS127P-150□	15.0	1	0.024	4.2
GSBS127P-220□	22.0	1	0.032	3.5
GSBS127P-300□	33.0	1	0.041	2.8
GSBS127P-470□	47.0	1	0.058	2.4
GSBS127P-680□	68.0	1	0.079	2.0
GSBS127P-101□	100.0	1	0.123	1.6
GSBS127P-221□	220.0	1	0.273	1.0

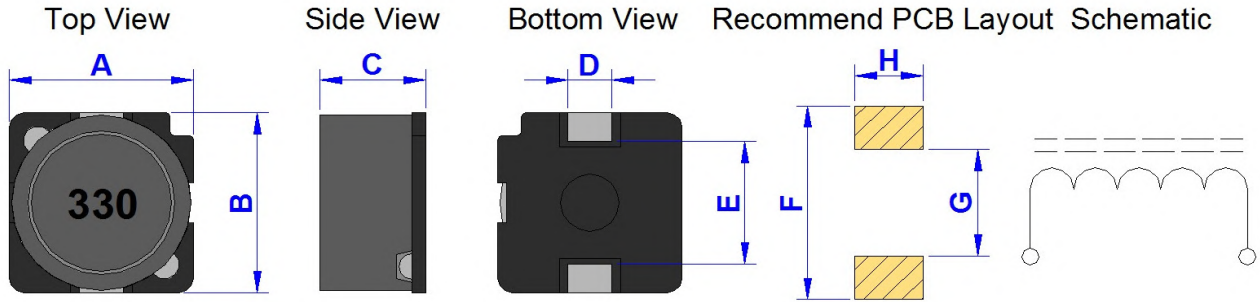
* Tolerance Code: 2~ 7uH N=± 30% ,10~220uH M=± 20%

* IDC : Base on L drop 10% Max. and temp. rise up 40deg.C Max.

Product Series : GSBS	Brand : GOTREND
File Version : GSBS-SERIES-V4R0	Editor : Teddy Sun
Established Date : 2009.06.10	Description : SMD Drum Choke with Shielding
Latest Edit Date : 2020.10.30	Product Type : <input checked="" type="checkbox"/> Standard <input type="checkbox"/> Customize

GSBS128P-SERIES

Dimension [mm] :



A (Max.)	B (Max.)	C (Max.)	D (+/-0.2)	E (Ref.)	F (Ref.)	G (Ref.)	H (Ref.)
12.8	12.8	7.8	3.0	8.6	13.2	8.2	3.6

Electrical Characteristics :

Part No.	L - Value (uH)	Test Freq. (KHz)0.25V	DCR (m ohm) +/-20%	IDC (A) Max.
GSBS128P-1R2□	1.2	100	6.80	13.0
GSBS128P-2R7□	2.7	100	9.40	10.0
GSBS128P-3R3□	3.3	100	10.00	9.5
GSBS128P-3R9□	3.9	100	10.40	9.0
GSBS128P-4R7□	4.7	100	11.25	8.5
GSBS128P-5R6□	5.6	100	11.60	7.8
GSBS128P-6R8□	6.8	100	13.10	7.2
GSBS128P-100□	10.0	1	15.90	5.5
GSBS128P-150□	15.0	1	18.40	4.7
GSBS128P-220□	12.0	1	26.30	4.0
GSBS128P-330□	33.0	1	40.20	3.2
GSBS128P-470□	47.0	1	52.80	2.7
GSBS128P-680□	68.0	1	77.80	2.0
GSBS128P-101□	100.0	1	125.00	1.9
GSBS128P-151□	150.0	1	175.00	1.5
GSBS128P-221□	220.0	1	258.00	1.3

* Tolerance Code: 1.2~6.8uH =N± 30% ,10~220uH =M± 20%

* IDC : Base on L drop 10% Max. and temp. rise up 40deg.C Max.

Product Series : GSDH	Brand : GOTREND
File Version : GSDH-SERIES-V1R4	Editor : Teddy Sun
Established Date : 2012.04.09	Description : SMD Shielded Power Inductor
Latest Edit Date : 2020.10.30	Product Type : <input checked="" type="checkbox"/> Standard <input type="checkbox"/> Customize

Features & Application :

- 1.Power supply PWM circuit input / output inductor
- 2.Power line noise suppression
- 3.DC-DC Converter
- 4.Shielding Structure for good in EMI effect
- 5.To help you go pass CE / FCC standard
- 6.TFT / Wifi / MobilePhone / MP3 / PDA....etc. Application
- 7.Low Profile for all compact design



(Picture for reference only)

Part No. Example :

PN	:	GSDH	52	P	-	3R3	M
-----		-----	-----	---		-----	----
ID	:	1	2	3		4	5
1	:	GOTREND Series Code					
2	:	Dimension Code : 52 = (L) 5.2 x (W) 5.2 x (H) 2.0 mm					
3	:	RoHS Compliance					
4	:	Inductance : 3R3 = 3.3 uH					
5	:	Tolerance : M = 20% ; N = 30%					

Basic Information :

Made in	China
Pin Foot	SMD
Shielding	Yes
J-STD-020	MSL Level 1
RoHS	Compliant
REACH	Compliant
Halogen	Free

Operating & Storage Condition :

- * Operating Temp -40 ~ +125 deg.C (Including self - temperature rise)
- * Storage Temp 1. -10 ~ +45 deg.C , 50 ~ 60% RH (Product with taping)
2. -40 ~ +125 deg.C (On board)
- * Storage Life Time 6 Month (Less than 40 deg.C and 60% RH)

Attention & Caution :

- * Keep out of Splashing water or salt water
- * Avoid Toxic Gas (Hydrogen sulfide, Sulfurous acid, Chlorine, Ammonia)
- Vibrations or shocks which exceed the specified condition
- Dew condense
- Layout near the edge of PCB
- Over flexure after SMT mounting & PCBA



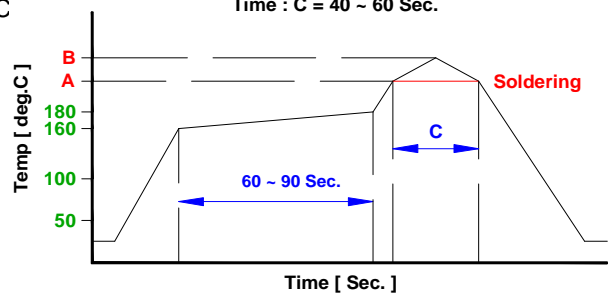
- * Pin foot or SMD pad solderability: Pb free type is best within 6 months after delivery
- * Humidity sensitive , IPC/JEDEC J-STD-020 MSL if over Level 1, recommend bake 30mins@150 degree before PCBA
- * Caution for human life relative applications : PLS contact & consult with GOTREND team in design stage.

Test Condition :

- * Equipment HP4284A , HP42841A - L , Q , DCR , IDC
HP8753D Network analyzer - SRF
- * Standard Atmosphere Conditions:
Ambient Temperature 20 ± 15 deg.C
Humidity RH 65 ± 20%
- * If there may be any doubt on the test result ,
Measurement shall be made within the following limits:
Ambient Temperature 25 ± 5 deg.C
Humidity RH 75 ± 10%

Recommend IR Reflow Curve : GTX-IR-FILE001

Lead Free Solder : A = 217 deg.C , B = 245+/-5 deg.C
Time : C = 40 ~ 60 Sec.

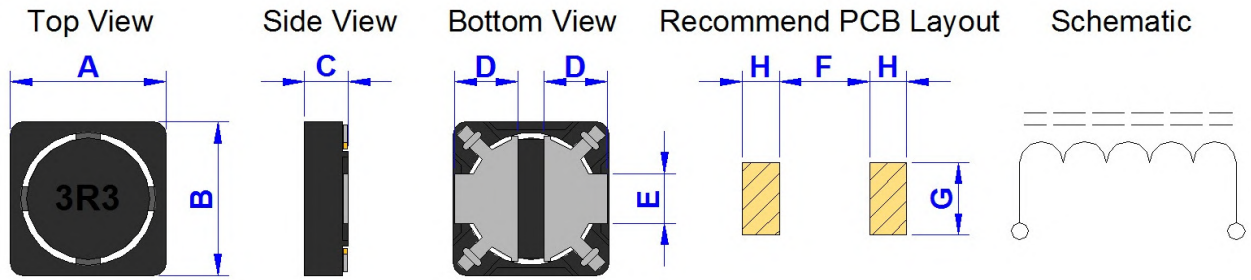


**Notice : Iron Soldering , Solder < 30 Watt ,
Direct touch the terminal x 3 Sec. Max. @ 350 deg.C**

Product Series : GSDH	Brand : GOTREND
File Version : GSDH-SERIES-V1R4	Editor : Teddy Sun
Established Date : 2012.04.09	Description : SMD Shielded Power Inductor
Latest Edit Date : 2020.10.30	Product Type : <input checked="" type="checkbox"/> Standard <input type="checkbox"/> Customize

GSDH52P-SERIES

Dimension [mm] :



A (Max)	B (Max)	C (Max)	D (Ref.)	E (Ref.)	F (Ref.)	G (Ref.)	H (Ref.)
5.20	5.20	2.00	1.80	1.60	1.20	2.00	2.00

Electrical Characteristics :

Part No.	Inductance (uH)	L-Tolerance	RDC (m Ohm) Typ.	RDC (m Ohm) Max.	Isat (mA) Max.	Irms (mA) Max.
GSDH52P-1R2□	1.2	M / N	28.0	33.6	4200	3200
GSDH52P-1R5□	1.5	M / N	32.0	38.4	3500	2600
GSDH52P-2R2□	2.2	M / N	45.0	54.0	3200	2400
GSDH52P-3R3□	3.3	M / N	77.0	92.4	2600	1900
GSDH52P-4R7□	4.7	M / N	100.0	120.0	2200	1700
GSDH52P-6R8□	6.8	M / N	120.0	144.0	2000	1500
GSDH52P-100□	10.0	M	184.0	220.8	1400	1100
GSDH52P-150□	15.0	M	228.0	273.6	1100	1000
GSDH52P-220□	22.0	M	331.0	397.2	900	900
GSDH52P-330□	33.0	M	485.0	582.0	800	800
GSDH52P-470□	47.0	M	730.0	876.0	600	600
GSDH52P-680□	68.0	M	1030.0	1236.0	500	500
GSDH52P-101□	100.0	M	1490.0	1788.0	430	400

■ Inductance test Freq. : 100KHz / 0.1V

■ L-Tolerance : M = 20% ; N = 30%

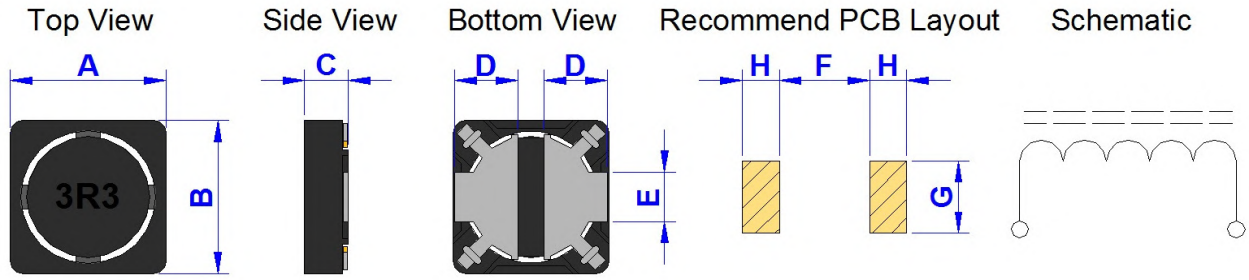
■ The saturation current value (Isat) is the DC current value having inductance decrease down to 30%. (at 20°C)

■ The temperature rise current value (Iirms) DC current value having temperature increase up to 40°C . (at 20°C)

Product Series : GSDH	Brand : GOTREND
File Version : GSDH-SERIES-V1R4	Editor : Teddy Sun
Established Date : 2012.04.09	Description : SMD Shielded Power Inductor
Latest Edit Date : 2020.10.30	Product Type : <input checked="" type="checkbox"/> Standard <input type="checkbox"/> Customize

GSDH53P-SERIES

Dimension [mm] :



A (Max)	B (Max)	C (Max)	D (Ref.)	E (Ref.)	F (Ref.)	G (Ref.)	H (Ref.)
5.20	5.20	3.00	1.80	1.60	1.20	2.00	2.00

Electrical Characteristics :

Part No.	Inductance (uH)	L-Tolerance	RDC (m Ohm) Typ.	RDC (m Ohm) Max.	Isat (mA) Max.	Irms (mA) Max.
GSDH53P-1R2□	1.2	M / N	27.0	32.4	4750	4800
GSDH53P-1R5□	1.5	M / N	30.0	36.0	4200	4300
GSDH53P-2R2□	2.2	M / N	44.0	52.8	3500	3600
GSDH53P-3R3□	3.3	M / N	52.0	62.4	2800	2900
GSDH53P-4R7□	4.7	M / N	65.0	78.0	2450	2500
GSDH53P-6R8□	6.8	M / N	73.0	87.6	2000	2100
GSDH53P-100□	10.0	M	89.0	106.8	1700	1800
GSDH53P-150□	15.0	M	132.0	158.4	1300	1400
GSDH53P-220□	22.0	M	175.0	210.0	1100	1200
GSDH53P-330□	33.0	M	274.0	328.8	900	1000
GSDH53P-470□	47.0	M	403.0	483.6	750	850
GSDH53P-680□	68.0	M	510.0	612.0	600	700
GSDH53P-101□	100.0	M	735.0	882.0	500	600

■ Inductance test Freq. : 100KHz / 0.1V

■ L-Tolerance : M = 20% ; N = 30%

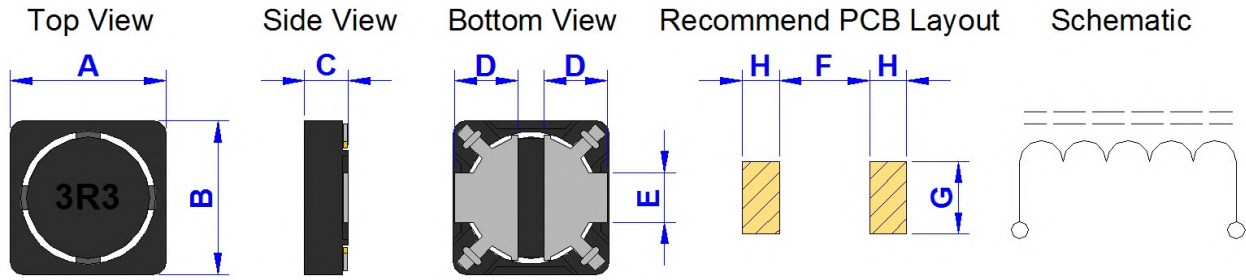
■ The saturation current value (Isat) is the DC current value having inductance decrease down to 30%. (at 20°C)

■ The temperature rise current value (Irms) DC current value having temperature increase up to 40°C . (at 20°C)

Product Series : GSDH	Brand : GOTREND
File Version : GSDH-SERIES-V1R4	Editor : Teddy Sun
Established Date : 2012.04.09	Description : SMD Shielded Power Inductor
Latest Edit Date : 2020.10.30	Product Type : <input checked="" type="checkbox"/> Standard <input type="checkbox"/> Customize

GSDH74P-SERIES

Dimension [mm] :



A (Max)	B (Max)	C (Max)	D (Ref.)	E (Ref.)	F (Ref.)	G (Ref.)	H (Ref.)
7.30	7.30	4.50	2.75	2.40	1.20	2.80	3.00

Electrical Characteristics :

Part No.	Inductance (uH)	L-Tolerance	RDC (m Ohm) Typ.	RDC (m Ohm) Max.	Isat (mA) Max.	Irms (mA) Max.
GSDH74P-1R2□	1.2	M / N	14.0	16.8	5000	4200
GSDH74P-3R3□	3.3	M / N	24.0	28.8	4500	3200
GSDH74P-4R7□	4.7	M / N	30.0	36.0	4000	3000
GSDH74P-6R8□	6.8	M	36.0	43.0	3000	2800
GSDH74P-100□	10.0	M	49.0	58.8	2800	2500
GSDH74P-150□	15.0	M	72.0	86.4	2400	2000
GSDH74P-220□	22.0	M	91.0	109.2	2000	1800
GSDH74P-330□	33.0	M	132.0	158.4	1600	1500
GSDH74P-470□	47.0	M	180.0	216.0	1300	1200
GSDH74P-680□	68.0	M	260.0	312.0	1100	1000
GSDH74P-101□	100.0	M	366.0	439.2	950	900
GSDH74P-151□	150.0	M	540.0	648.0	750	700
GSDH74P-221□	220.0	M	792.0	950.4	650	580
GSDH74P-331□	330.0	M	1160.0	1392.0	500	460
GSDH74P-471□	470.0	M	1660.0	1992.0	430	360
GSDH74P-681□	680.0	M	2680.0	3216.0	350	280
GSDH74P-102□	1000.0	M	3880.0	4656.0	250	200

■ Inductance test Freq. : 100KHz / 0.1V

■ L-Tolerance : M = 20% ; N = 30%

■ The saturation current value (Isat) is the DC current value having inductance decrease down to 30%. (at 20°C)

■ The temperature rise current value (I rms) DC current value having temperature increase up to 40°C . (at 20°C)

Product Series : GSDK	Brand : GOTREND
File Version : GSDK-SERIES-V1R3	Editor : Teddy Sun
Established Date : 2012.08.22	Description : SMD Shielded Power Inductor
Latest Edit Date : 2020.10.30	Product Type : <input checked="" type="checkbox"/> Standard <input type="checkbox"/> Customize

Features & Application :

- 1.Power supply PWM circuit input / output inductor
- 2.Power line noise suppression
- 3.DC-DC Converter
- 4.Shielding Structure for good in EMI effect
- 5.To help you go pass CE / FCC standard
- 6.TFT / WiFi / MobilePhone / MP3 / PDA...etc.Application
- 7.Low Profile for all compact design



(Picture for reference only)

Part No. Example :

PN	:	GSDK	52	P	-	3R3	M
-----		-----	-----	---		-----	----
ID	:	1	2	3		4	5
1	:	GOTREND Series Code					
2	:	Dimension Code : 52 = (L) 5.2 x (W) 5.2 x (H) 2.0 mm					
3	:	RoHS Compliance					
4	:	Inductance : 3R3 = 3.3 uH					
5	:	Tolerance : M = 20% ; N = 30%					


Basic Information :

Made in	China
Pin Foot	SMD
Shielding	Yes
J-STD-020	MSL Level 1
RoHS	Compliant
REACH	Compliant
Halogen	Free

Operating & Storage Condition :

- * Operating Temp -40 ~ +125 deg.C (Including self - temperature rise)
- * Storage Temp 1. -10 ~ +45 deg.C , 50 ~ 60% RH (Product with taping)
2. -40 ~ +125 deg.C (On board)
- * Storage Life Time 6 Month (Less than 40 deg.C and 60% RH)

Attention & Caution :

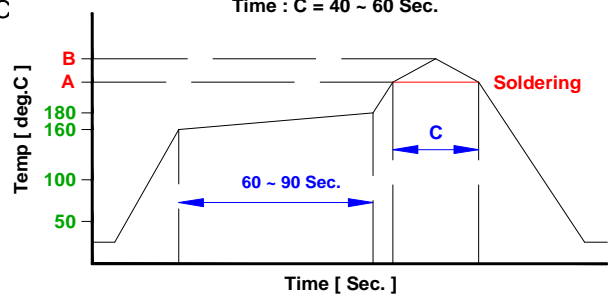
- * Keep out of Splashing water or salt water
- * Avoid Toxic Gas (Hydrogen sulfide, Sulfurous acid, Chlorine, Ammonia)
-  Vibrations or shocks which exceed the specified condition
- Dew condense
- Layout near the edge of PCB
- Over flexure after SMT mounting & PCBA
- * Pin foot or SMD pad solderability: Pb free type is best within 6 months after delivery
- * Humidity sensitive , IPC/JEDEC J-STD-020 MSL if over Level 1, recommend bake 30mins@150 degree before PCBA
- * Caution for human life relative applications : PLS contact & consult with GOTREND team in design stage.

Test Condition :

- * Equipment HP4284A , HP42841A - L , Q , DCR , IDC
HP8753D Network analyzer - SRF
- * Standard Atmosphere Conditions:
Ambient Temperature 20 ± 15 deg.C
Humidity RH 65 ± 20%
- * If there may be any doubt on the test result ,
Measurement shall be made within the following limits:
Ambient Temperature 25 ± 5 deg.C
Humidity RH 75 ± 10%

Recommend IR Reflow Curve : GTX-IR-FILE001

Lead Free Solder : A = 217 deg.C , B = 245+/-5 deg.C
Time : C = 40 ~ 60 Sec.

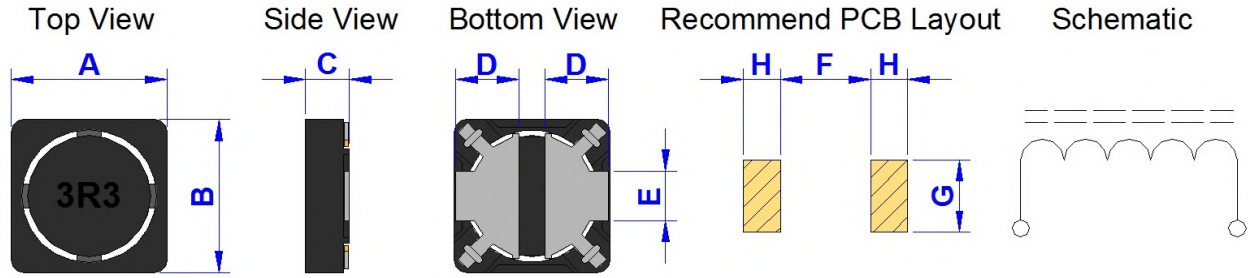


**Notice : Iron Soldering , Solder < 30 Watt ,
Direct touch the terminal x 3 Sec. Max. @ 350 deg.C**

Product Series : GSDK	Brand : GOTREND
File Version : GSDK-SERIES-V1R3	Editor : Teddy Sun
Established Date : 2012.08.22	Description : SMD Shielded Power Inductor
Latest Edit Date : 2020.10.30	Product Type : <input checked="" type="checkbox"/> Standard <input type="checkbox"/> Customize

GSDK52P-SERIES

Dimension [mm] :



A (Max)	B (Max)	C (Max)	D (Ref.)	E (Ref.)	F (Ref.)	G (Ref.)	H (Ref.)
5.20	5.20	2.00	1.80	1.60	1.20	2.00	2.00

Electrical Characteristics :

Part No.	Inductance (uH)	L-Tolerance	RDC (m Ohm) Typ.	RDC (m Ohm) Max.	Isat (mA) Max.	Irms (mA) Max.
GSDK52P-1R2M□	1.2	M / N	28.0	33.6	6000	3200
GSDK52P-1R5M□	1.5	M / N	32.0	38.4	5800	2600
GSDK52P-2R2M□	2.2	M / N	45.0	54.0	4500	2400
GSDK52P-3R3M□	3.3	M / N	77.0	92.4	3500	1900
GSDK52P-4R7M□	4.7	M / N	100.0	120.0	3300	1700
GSDK52P-6R8M□	6.8	M / N	120.0	144.0	2550	1500
GSDK52P-100M□	10.0	M	184.0	220.8	2300	1100
GSDK52P-150M□	15.0	M	228.0	273.6	1800	1000
GSDK52P-220M□	22.0	M	331.0	397.2	1500	900
GSDK52P-330M□	33.0	M	485.0	582.0	1300	800
GSDK52P-470M□	47.0	M	730.0	876.0	1050	600
GSDK52P-680M□	68.0	M	1030.0	1236.0	850	500
GSDK52P-101M□	100.0	M	1490.0	1788.0	700	400
GSDK52P-681M□	680.0	M	9638.0	12850.0	250	200

■ Inductance test Freq. : 100KHz / 0.1V

■ L-Tolerance : M = 20% ; N = 30%

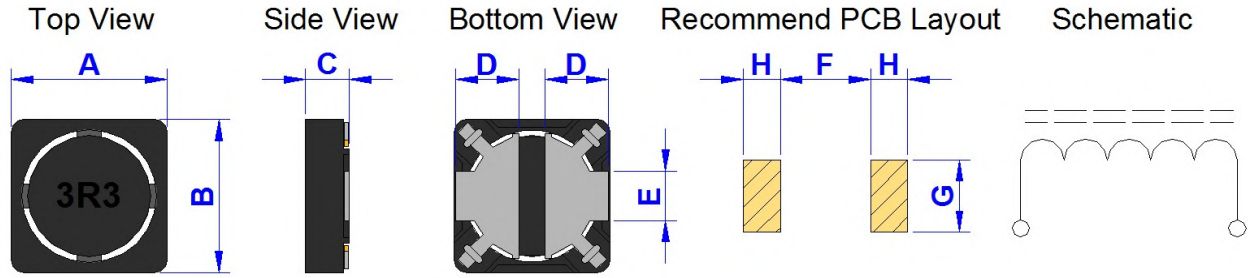
■ The saturation current value (Isat) is the DC current value having inductance decrease down to 30%. (at 20°C)

■ The temperature rise current value (Irms) DC current value having temperature increase up to 40°C . (at 20°C)

Product Series : GSDK	Brand : GOTREND
File Version : GSDK-SERIES-V1R3	Editor : Teddy Sun
Established Date : 2012.08.22	Description : SMD Shielded Power Inductor
Latest Edit Date : 2020.10.30	Product Type : <input checked="" type="checkbox"/> Standard <input type="checkbox"/> Customize

GSDK53P-SERIES

Dimension [mm] :



A (Max)	B (Max)	C (Max)	D (Ref.)	E (Ref.)	F (Ref.)	G (Ref.)	H (Ref.)
5.20	5.20	3.00	1.80	1.60	1.20	2.00	2.00

Electrical Characteristics :

Part No.	Inductance (uH)	L-Tolerance	RDC (m Ohm) Typ.	RDC (m Ohm) Max.	Isat (mA) Max.	Irms (mA) Max.
GSDK53P-1R2M□	1.2	M / N	20.0	24.0	7800	5500
GSDK53P-1R5M□	1.5	M / N	26.0	31.2	7000	4600
GSDK53P-2R2M□	2.2	M / N	30.0	36.0	6000	4300
GSDK53P-3R3M□	3.3	M / N	42.0	50.4	4800	3200
GSDK53P-4R7M□	4.7	M / N	58.0	69.6	4000	2600
GSDK53P-6R8M□	6.8	M / N	73.0	87.6	3300	2100
GSDK53P-100M□	10.0	M	89.0	106.8	2800	1800
GSDK53P-150M□	15.0	M	132.0	158.4	2200	1400
GSDK53P-220M□	22.0	M	175.0	210.0	1900	1200
GSDK53P-330M□	33.0	M	274.0	328.8	1500	1000
GSDK53P-470M□	47.0	M	403.0	483.6	1250	850
GSDK53P-680M□	68.0	M	510.0	612.0	1100	700
GSDK53P-101M□	100.0	M	735.0	882.0	900	600

■ Inductance test Freq. : 100KHz / 0.1V

■ L-Tolerance : M = 20% ; N = 30%

■ The saturation current value (Isat) is the DC current value having inductance decrease down to 30%. (at 20°C)

■ The temperature rise current value (Irms) DC current value having temperature increase up to 40°C . (at 20°C)

Product Series : GSDRH	Brand : GOTREND
File Version : GSDRH-SERIES-V5R5	Editor : Teddy Sun
Established Date : 2009.08.27	Description : Shielding Choke
Latest Edit Date : 2020.10.30	Product Type : <input checked="" type="checkbox"/> Standard <input type="checkbox"/> Customize

Features & Application :

- * Good in EMI and fit for large current application
- * Fit for power line & signal line circuit
- * To help you go pass the CE/FCC standard
- * MB / NB / IPC / LCD Monitor / STB / Hub / Switch....letc.



(Picture for reference only)

Part No. Example :

PN	:	GSDRH	127	P T	-	102	M
-----		-----	-----	---		-----	----
ID	:	1	2	3		4	5
1	:	GOTREND Type : GSDRH					
2	:	Dimension Code : 12 x 12 x 8mm					
3	:	P = Pb free < 1000 ppm					
4	:	T = Iron Base Pad					
5	:	L Value : 102 = 1000uH					
6	:	Tolerance : M = 20% , N = 30%					

Basic Information :

Made in	China
Pin Foot	SMD
Shielding	Yes
J-STD-020	MSL Level 1
RoHS	Compliant
REACH	Compliant
Halogen	Free

Operating & Storage Condition :

- * Operating Temp -40 ~ +125 deg.C (Including self - temperature rise)
- * Storage Temp 1. -10 ~ +45 deg.C , 50 ~ 60% RH (Product with taping)
2. -40 ~ +125 deg.C (On board)
- * Storage Life Time 6 Month (Less than 40 deg.C and 60% RH)

Attention & Caution :

- * Keep out of Splashing water or salt water
- * Avoid Toxic Gas (Hydrogen sulfide, Sulfurous acid, Chlorine, Ammonia)
- * Avoid Vibrations or shocks which exceed the specified condition
- * Avoid Dew condense
- * Avoid Layout near the edge of PCB
- * Avoid Over flexure after SMT mounting & PCBA
- * Pin foot or SMD pad solderability: Pb free type is best within 6 months after delivery
- * Humidity sensitive , IPC/JEDEC J-STD-020 MSL if over Level 1, recommend bake 30mins@150 degree before PCBA
- * Caution for human life relative applications : PLS contact & consult with GOTREND team in design stage.

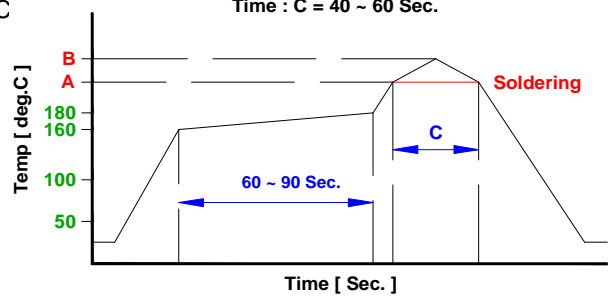


Test Condition :

- * Equipment HP4284A , HP42841A - L , Q , DCR , IDC
HP8753D Network analyzer - SRF
- * Standard Atmosphere Conditions:
Ambient Temperature 20 ± 15 deg.C
Humidity RH 65 ± 20%
- * If there may be any doubt on the test result ,
Measurement shall be made within the following limits:
Ambient Temperature 25 ± 5 deg.C
Humidity RH 75 ± 10%

Recommend IR Reflow Curve : GTX-IR-FILE001

Lead Free Solder : A = 217 deg.C , B = 245+/-5 deg.C
Time : C = 40 ~ 60 Sec.

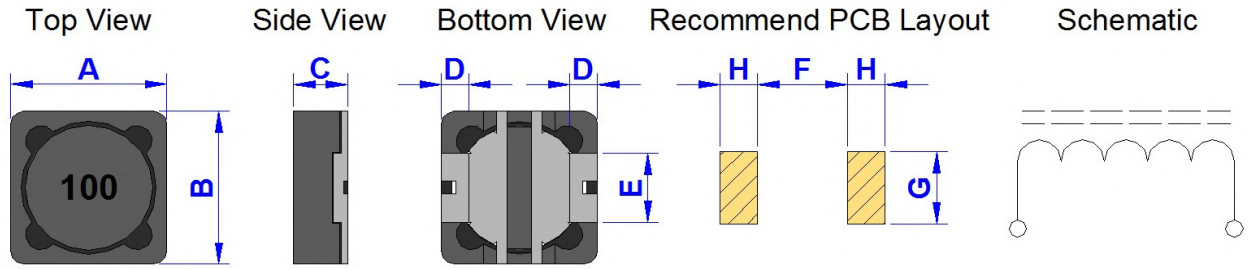


**Notice : Iron Soldering , Solder < 30 Watt ,
Direct touch the terminal x 3 Sec. Max. @ 350 deg.C**

Product Series : GSDRH	Brand : GOTREND
File Version : GSDRH-SERIES-V5R5	Editor : Teddy Sun
Established Date : 2009.08.27	Description : Shielding Choke
Latest Edit Date : 2020.10.30	Product Type : <input checked="" type="checkbox"/> Standard <input type="checkbox"/> Customize

GSDRH62P-SERIES

Dimension [mm] :



A+/-0.5	B+/-0.5	C [Max.]	D+/-0.3	E+/-0.5	F [Ref.]	G [Ref.]	H [Ref.]
6.30	6.30	3.00	0.85	1.50	4.20	1.90	1.25

Electrical Characteristics :

Part No.	Inductance (uH)	DCR(ohm) (Max.)	Permissible DC Current (Amp) (Max.)
GSDRH62P-3R3□	3.3	68m	1.94
GSDRH62P-4R7□	4.7	80m	1.63
GSDRH62P-5R5□	5.5	96m	1.40
GSDRH62P-100□	10.0	0.15	1.10
GSDRH62P-120□	12.0	0.20	1.00
GSDRH62P-150□	15.0	0.23	0.90
GSDRH62P-180□	18.0	0.27	0.80
GSDRH62P-220□	22.0	0.34	0.74
GSDRH62P-270□	27.0	0.38	0.66
GSDRH62P-330□	33.0	0.45	0.59
GSDRH62P-390□	39.0	0.49	0.54
GSDRH62P-470□	47.0	0.69	0.50
GSDRH62P-560□	56.0	0.78	0.46
GSDRH62P-680□	68.0	1.07	0.42
GSDRH62P-820□	82.0	1.21	0.38
GSDRH62P-101□	100.0	1.39	0.34
GSDRH62P-121□	120.0	1.90	0.31
GSDRH62P-151□	150.0	2.18	0.28
GSDRH62P-181□	180.0	2.77	0.26
GSDRH62P-221□	220.0	3.12	0.23
GSDRH62P-271□	270.0	4.38	0.22
GSDRH62P-331□	330.0	4.94	0.19

* Measuring Freq.(L) : 1.0~8.2 uH (100KHz / 0.3V) , 10~820uH (1kHz / 0.3V).

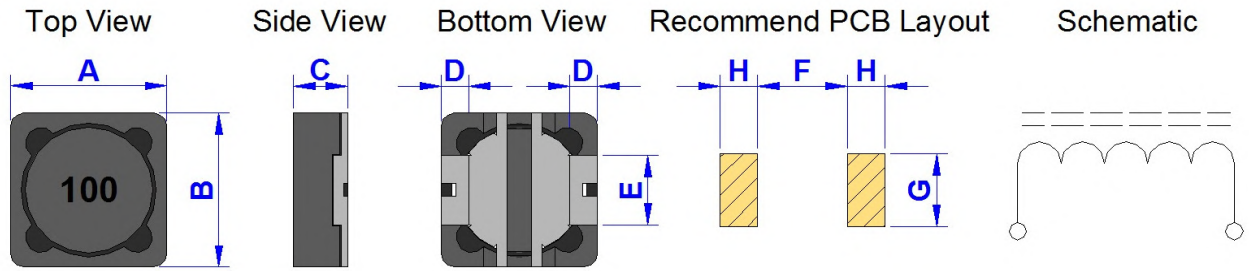
* L Value Tolerance : M = +/- 20%

* D.C.Current : Base on L drop 30% Max. & Temp. rise up 40 deg.C Max.

Product Series : GSDRH	Brand : GOTREND
File Version : GSDRH-SERIES-V5R5	Editor : Teddy Sun
Established Date : 2009.08.27	Description : Shielding Choke
Latest Edit Date : 2020.10.30	Product Type : <input checked="" type="checkbox"/> Standard <input type="checkbox"/> Customize

GSDRH64P-SERIES

Dimension [mm] :



A+/-0.5	B+/-0.5	C [Max.]	D+/-0.3	E+/-0.5	F [Ref.]	G [Ref.]	H [Ref.]
6.30	6.30	5.00	0.85	1.50	4.20	1.90	1.25

Electrical Characteristics :

Part No.	Inductance (uH)	DCR(ohm) (Max.)	Permissible DC Current (Amp) (Max.)
GSDRH64P-3R3□	3.3	30m	2.20
GSDRH64P-4R7□	4.7	40m	1.80
GSDRH64P-6R8□	6.8	90m	1.80
GSDRH64P-100□	10.0	0.12	1.35
GSDRH64P-120□	12.0	0.13	1.20
GSDRH64P-150□	15.0	0.18	1.10
GSDRH64P-180□	18.0	0.24	1.00
GSDRH64P-220□	22.0	0.27	0.91
GSDRH64P-270□	27.0	0.30	0.82
GSDRH64P-330□	33.0	0.33	0.75
GSDRH64P-390□	39.0	0.37	0.69
GSDRH64P-470□	47.0	0.52	0.62
GSDRH64P-560□	56.0	0.56	0.58
GSDRH64P-680□	68.0	0.63	0.52
GSDRH64P-820□	82.0	0.71	0.47
GSDRH64P-101□	100.0	1.03	0.43
GSDRH64P-121□	120.0	1.15	0.39
GSDRH64P-151□	150.0	1.68	0.35
GSDRH64P-181□	180.0	1.87	0.32
GSDRH64P-221□	220.0	2.08	0.29
GSDRH64P-271□	270.0	2.37	0.26
GSDRH64P-331□	330.0	2.67	0.23
GSDRH64P-391□	390.0	2.94	0.22
GSDRH64P-471□	470.0	3.93	0.20
GSDRH64P-561□	560.0	5.43	0.18
GSDRH64P-681□	680.0	7.32	0.17
GSDRH64P-821□	820.0	8.24	0.15
GSDRH64P-102□	1000.0	9.26	0.14

* Measuring Freq.(L) : 1.0~8.2 uH (100KHz / 0.3V) , 10~820uH (1kHz / 0.3V) .

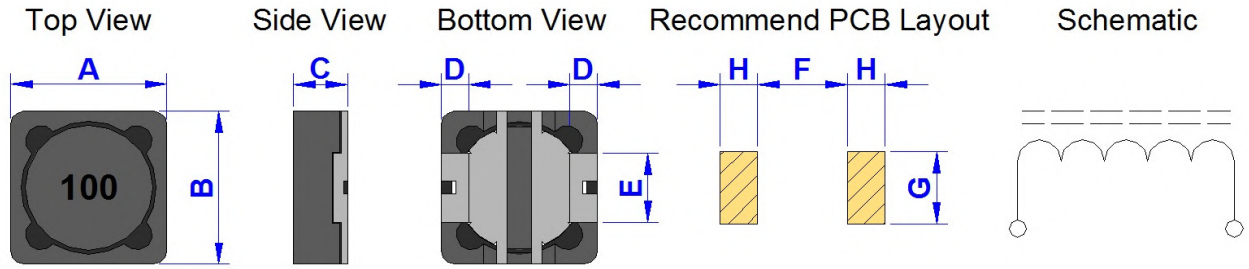
* L Value Tolerance : M = +/- 20%

* D.C.Current : Base on L drop 30% Max. & Temp. rise up 40 deg.C Max.

Product Series : GSDRH	Brand : GOTREND
File Version : GSDRH-SERIES-V5R5	Editor : Teddy Sun
Established Date : 2009.08.27	Description : Shielding Choke
Latest Edit Date : 2020.10.30	Product Type : <input checked="" type="checkbox"/> Standard <input type="checkbox"/> Customize

GSDRH73P-SERIES

Dimension [mm] :



A+/-0.5	B+/-0.5	C [Max.]	D+/-0.3	E+/-0.5	F [Ref.]	G [Ref.]	H [Ref.]
7.30	7.30	3.50	1.25	1.98	4.40	2.40	1.65

Electrical Characteristics :

Part No.	Inductance (uH)	DCR(ohm) (Max.)	Permissible DC Current (Amp) (Max.)
GSDRH73P-1R0□	1.0	10.3m	7.97
GSDRH73P-1R5□	1.5	18.0m	3.40
GSDRH73P-2R2□	2.2	23m	3.20
GSDRH73P-3R3□	3.3	34m	3.50
GSDRH73P-100□	10.0	72m	1.68
GSDRH73P-120□	12.0	98m	1.52
GSDRH73P-150□	15.0	0.13	1.33
GSDRH73P-180□	18.0	0.14	1.20
GSDRH73P-220□	22.0	0.19	1.07
GSDRH73P-270□	27.0	0.21	0.96
GSDRH73P-330□	33.0	0.24	0.91
GSDRH73P-390□	39.0	0.32	0.77
GSDRH73P-470□	47.0	0.36	0.76
GSDRH73P-560□	56.0	0.47	0.68
GSDRH73P-680□	68.0	0.52	0.61
GSDRH73P-820□	82.0	0.69	0.57
GSDRH73P-101□	100.0	0.79	0.50
GSDRH73P-121□	120.0	0.89	0.49
GSDRH73P-151□	150.0	1.27	0.43
GSDRH73P-181□	180.0	1.45	0.39
GSDRH73P-221□	220.0	1.65	0.35
GSDRH73P-271□	270.0	2.31	0.32
GSDRH73P-331□	330.0	2.62	0.28
GSDRH73P-391□	390.0	2.94	0.26
GSDRH73P-471□	470.0	4.18	0.24
GSDRH73P-561□	560.0	4.67	0.22
GSDRH73P-681□	680.0	5.73	0.19
GSDRH73P-821□	820.0	6.54	0.18
GSDRH73P-102□	1000.0	9.44	0.16

* Measuring Freq.(L) : 1.0~8.2 uH (100KHz / 0.3V) , 10~820uH (1kHz / 0.3V).

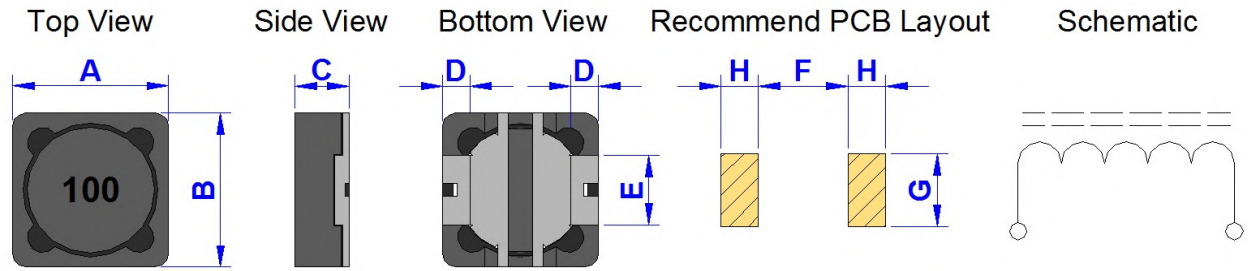
* L Value Tolerance : M = +/- 20%

* D.C.Current : Base on L drop 30% Max. & Temp. rise up 40 deg.C Max.

Product Series : GSDRH	Brand : GOTREND
File Version : GSDRH-SERIES-V5R5	Editor : Teddy Sun
Established Date : 2009.08.27	Description : Shielding Choke
Latest Edit Date : 2020.10.30	Product Type : <input checked="" type="checkbox"/> Standard <input type="checkbox"/> Customize

GSDRH74P-SERIES

Dimension [mm] :



A+/-0.5	B+/-0.5	C [Max.]	D+/-0.3	E+/-0.5	F [Ref.]	G [Ref.]	H [Ref.]
7.30	7.30	4.50	1.25	1.98	4.40	2.40	1.65

Electrical Characteristics :

Part No.	Inductance (uH)	DCR(ohm) (Max.)	Permissible DC Current (Amp) (Max.)
GSDRH74P-1R8□	1.8	18m	5.50
GSDRH74P-2R2□	2.2	24m	4.00
GSDRH74P-2R7□	2.7	24m	3.00
GSDRH74P-3R3□	3.3	30m	4.00
GSDRH74P-4R7□	4.7	44m	2.70
GSDRH74P-6R8□	6.8	46m	2.40
GSDRH74P-8R2□	8.2	48m	2.00
GSDRH74P-100□	10.0	49m	1.84
GSDRH74P-120□	12.0	58m	1.71
GSDRH74P-150□	15.0	81m	1.47
GSDRH74P-180□	18.0	91m	1.31
GSDRH74P-220□	22.0	0.11	1.23
GSDRH74P-270□	27.0	0.15	1.12
GSDRH74P-330□	33.0	0.17	0.96
GSDRH74P-390□	39.0	0.23	0.91
GSDRH74P-470□	47.0	0.26	0.88
GSDRH74P-560□	56.0	0.35	0.75
GSDRH74P-680□	68.0	0.38	0.69
GSDRH74P-820□	82.0	0.43	0.61
GSDRH74P-101□	100.0	0.61	0.60

* Measuring Freq.(L) : 1.0~8.2 uH (100kHz / 0.3V) , 10~820uH (1kHz / 0.3V).

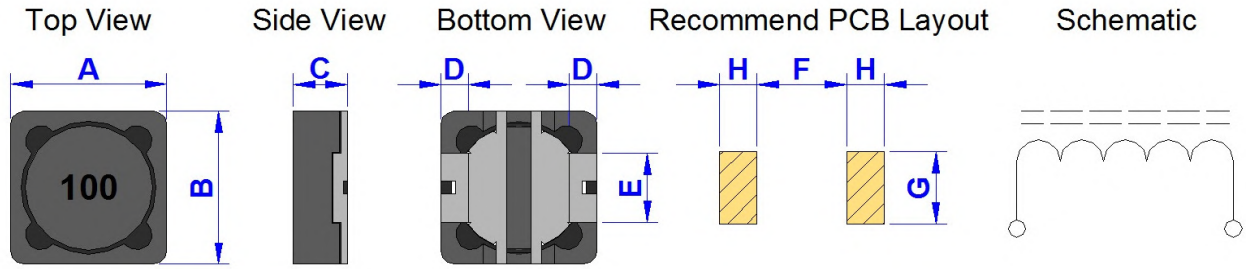
* L Value Tolerance : M = +/- 20%

* D.C.Current : Base on L drop 30% Max. & Temp. rise up 40 deg.C Max.

Product Series : GSDRH	Brand : GOTREND
File Version : GSDRH-SERIES-V5R5	Editor : Teddy Sun
Established Date : 2009.08.27	Description : Shielding Choke
Latest Edit Date : 2020.10.30	Product Type : <input checked="" type="checkbox"/> Standard <input type="checkbox"/> Customize

GSDRH74P-SERIES

Dimension [mm] :



A+/-0.5	B+/-0.5	C [Max.]	D+/-0.3	E+/-0.5	F [Ref.]	G [Ref.]	H [Ref.]
7.30	7.30	4.50	1.25	1.98	4.40	2.40	1.65

Electrical Characteristics :

Part No.	Inductance (uH)	DCR(ohm) (Max.)	Permissible DC Current (Amp) (Max.)
GSDRH74P-121□	120.0	0.66	0.52
GSDRH74P-151□	150.0	0.88	0.46
GSDRH74P-181□	180.0	0.98	0.42
GSDRH74P-221□	220.0	1.17	0.36
GSDRH74P-271□	270.0	1.64	0.34
GSDRH74P-331□	330.0	1.86	0.32
GSDRH74P-391□	390.0	2.85	0.29
GSDRH74P-471□	470.0	3.01	0.26
GSDRH74P-561□	560.0	3.62	0.23
GSDRH74P-681□	680.0	4.63	0.22
GSDRH74P-821□	820.0	5.20	0.20
GSDRH74P-102□	1000.0	6.00	0.18

* Measuring Freq.(L) : 1.0~8.2 uH (100KHz / 0.3V) , 10~820uH (1kHz / 0.3V).

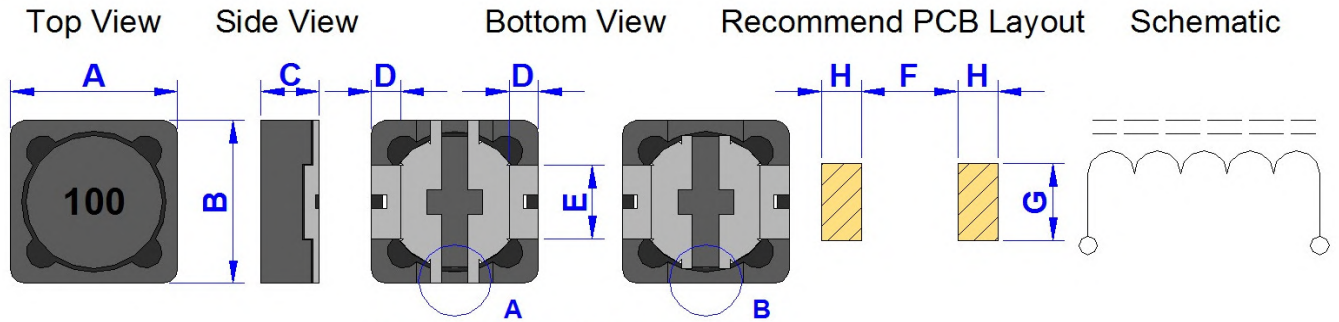
* L Value Tolerance : M = +/- 20%

* D.C.Current : Base on L drop 30% Max. & Temp. rise up 40 deg.C Max.

Product Series : GSDRH	Brand : GOTREND
File Version : GSDRH-SERIES-V5R5	Editor : Teddy Sun
Established Date : 2009.08.27	Description : Shielding Choke
Latest Edit Date : 2020.10.30	Product Type : <input checked="" type="checkbox"/> Standard <input type="checkbox"/> Customize

GSDRH124P-SERIES

Dimension [mm] :



**A vs B different shape.
Does not affect the characteristics and use all acceptable !**

A+/-0.5	B+/-0.5	C [Max.]	D+/-0.3	E+/-0.5	F [Ref.]	G [Ref.]	H [Ref.]
12.00	12.00	4.50	2.20	5.00	7.00	5.60	2.80

Electrical Characteristics :

Part No.	Inductance (uH)	DCR(ohm) (Max.)	Permissible DC Current (Amp) (Max.)
GSDRH124PT-2R4	2.4	14.0m	4.90
GSDRH124PT-3R3	3.3	15.0m	6.50
GSDRH124PT-3R9	3.9	15.0m	6.50
GSDRH124PT-4R7	4.7	18.0m	5.70
GSDRH124PT-6R8	6.8	23.0m	4.90
GSDRH124PT-8R2	8.2	26.0m	4.60
GSDRH124PT-100	10.0	28.0m	4.50
GSDRH124PT-120	12.0	38.0m	4.00
GSDRH124PT-150	15.0	50.0m	3.20
GSDRH124PT-180	18.0	57.0m	3.10
GSDRH124PT-220	22.0	66.0m	2.90
GSDRH124PT-270	27.0	80.0m	2.80
GSDRH124PT-330	33.0	97.0m	2.70
GSDRH124PT-390	39.0	0.132	2.10
GSDRH124PT-470	47.0	0.160	1.90
GSDRH124PT-560	56.0	0.190	1.80
GSDRH124PT-680	68.0	0.220	1.50
GSDRH124PT-820	82.0	0.260	1.30
GSDRH124PT-101	100.0	0.308	1.20
GSDRH124PT-121	120.0	0.380	1.10
GSDRH124PT-151	150.0	0.530	0.95
GSDRH124PT-181	180.0	0.620	0.85
GSDRH124PT-221	220.0	0.700	0.80
GSDRH124PT-271	270.0	0.870	0.60
GSDRH124PT-331	330.0	0.990	0.50

* Measuring Freq.(L) : 1.0~8.2 uH (100KHz / 0.3V) , 10~820uH (1KHz / 0.3V).

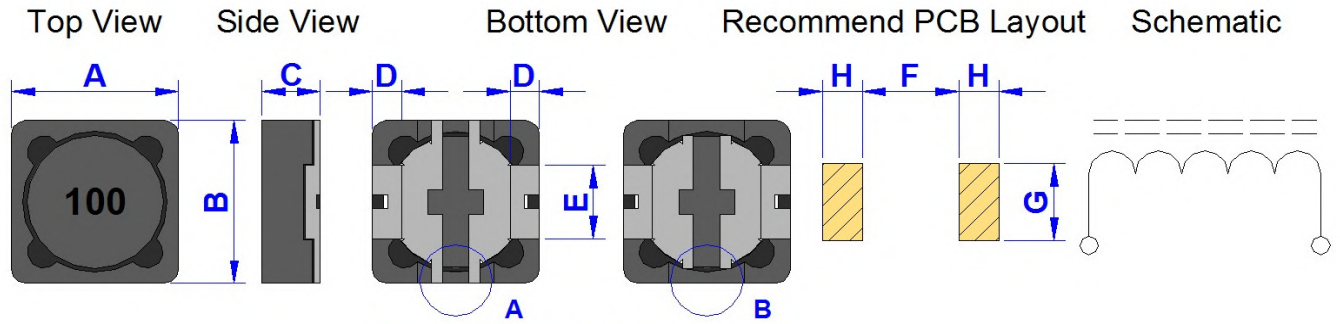
* L Value Tolerance : M = +/- 20%

* D.C.Current : Base on L drop 25% Max. & Temp. rise up 40 deg.C Max.

Product Series : GSDRH	Brand : GOTREND
File Version : GSDRH-SERIES-V5R5	Editor : Teddy Sun
Established Date : 2009.08.27	Description : Shielding Choke
Latest Edit Date : 2020.10.30	Product Type : <input checked="" type="checkbox"/> Standard <input type="checkbox"/> Customize

GSDRH125P-SERIES

Dimension [mm] :



A vs B different shape.

Does not affect the characteristics and use all acceptable !

A+/-0.5	B+/-0.5	C [Max.]	D+/-0.3	E+/-0.5	F [Ref.]	G [Ref.]	H [Ref.]
12.00	12.00	6.00	2.20	5.00	7.00	5.60	2.80

Electrical Characteristics :

Part No.	Inductance (uH)	DCR(ohm) (Max.)	Permissible DC Current (Amp) (Max.)
GSDRH125P-1R0□	1.0	10.0m	9.00
GSDRH125P-3R3□	3.3	18.0m	7.50
GSDRH125P-4R7□	4.7	20.0m	7.40
GSDRH125P-6R8□	6.8	25.0m	4.50
GSDRH125P-100□	10.0	25.0m	4.00
GSDRH125P-120□	12.0	27.0m	3.50
GSDRH125P-150□	15.0	30.0m	3.30
GSDRH125P-180□	18.0	34.0m	3.00
GSDRH125P-220□	22.0	36.0m	2.80
GSDRH125P-270□	27.0	51.0m	2.30
GSDRH125P-330□	33.0	57.0m	2.10
GSDRH125P-390□	39.0	68.0m	2.00
GSDRH125P-470□	47.0	75.0m	1.80
GSDRH125P-560□	56.0	0.110	1.70
GSDRH125P-680□	68.0	0.120	1.50
GSDRH125P-820□	82.0	0.140	1.40
GSDRH125P-101□	100.0	0.160	1.30
GSDRH125P-121□	120.0	0.170	1.10
GSDRH125P-151□	150.0	0.230	1.00
GSDRH125P-181□	180.0	0.290	0.90
GSDRH125P-221□	220.0	0.400	0.80
GSDRH125P-271□	270.0	0.460	0.75
GSDRH125P-331□	330.0	0.510	0.68
GSDRH125P-391□	390.0	0.690	0.65
GSDRH125P-471□	470.0	0.770	0.58
GSDRH125P-561□	560.0	0.860	0.54
GSDRH125P-681□	680.0	1.200	0.48
GSDRH125P-821□	820.0	1.340	0.43
GSDRH125P-102□	1000.0	1.530	0.40

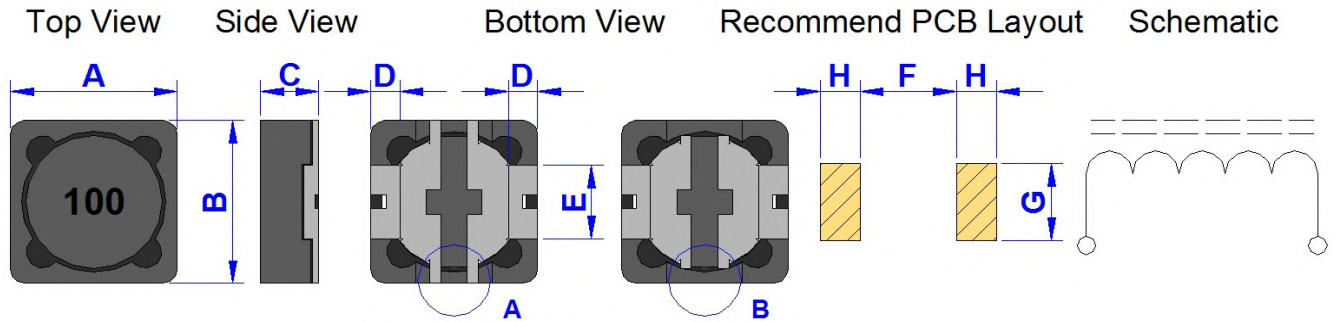
* Measuring Freq.(L) : 1.0~8.2 uH (100KHz / 0.3V) , 10~820uH (1KHz / 0.3V). * L Value Tolerance : M = +/- 20%

* D.C.Current : Base on L drop 25% Max. & Temp. rise up 40 deg.C Max.

Product Series : GSDRH	Brand : GOTREND
File Version : GSDRH-SERIES-V5R5	Editor : Teddy Sun
Established Date : 2009.08.27	Description : Shielding Choke
Latest Edit Date : 2020.10.30	Product Type : <input checked="" type="checkbox"/> Standard <input type="checkbox"/> Customize

GSDRH127P-SERIES

Dimension [mm] :



A vs B different shape.
Does not affect the characteristics and use all acceptable !

A+/-0.5	B+/-0.5	C [Max.]	D+/-0.3	E+/-0.5	F [Ref.]	G [Ref.]	H [Ref.]
12.00	12.00	8.00	2.20	5.00	7.00	5.60	2.80

Electrical Characteristics :

Part No.	Inductance (uH)	DCR(ohm) (Max.)	Permissible DC Current (Amp) (Max.)
GSDRH127P-1R5□	1.5	7.0m	9.80
GSDRH127P-2R2□	2.2	11.5m	8.00
GSDRH127P-2R4□	2.4	11.5m	8.00
GSDRH127P-3R3□	3.3	13.5m	7.50
GSDRH127P-3R5□	3.5	13.5m	7.50
GSDRH127P-4R7□	4.7	15.8m	6.80
GSDRH127P-6R1□	6.1	17.6m	6.60
GSDRH127P-6R8□	6.8	19.0m	6.60
GSDRH127P-7R6□	7.6	20.0m	5.90
GSDRH127P-8R2□	8.2	20.0m	5.60
GSDRH127P-100□	10.0	21.6m	5.40
GSDRH127P-120□	12.0	24.3m	4.90
GSDRH127P-150□	15.0	27.0m	4.50
GSDRH127P-180□	18.0	39.2m	3.90
GSDRH127P-220□	22.0	43.2m	3.60
GSDRH127P-270□	27.0	45.9m	3.40
GSDRH127P-330□	33.0	64.8m	3.00
GSDRH127P-390□	39.0	72.9m	2.75
GSDRH127P-470□	47.0	0.100	2.50
GSDRH127P-560□	56.0	0.110	2.35
GSDRH127P-680□	68.0	0.140	2.10
GSDRH127P-820□	82.0	0.160	1.95
GSDRH127P-101□	100.0	0.220	1.70

* Measuring Freq.(L) : 1.0~8.2 uH (100KHz / 0.3V) , 10~820uH (1KHz / 0.3V).

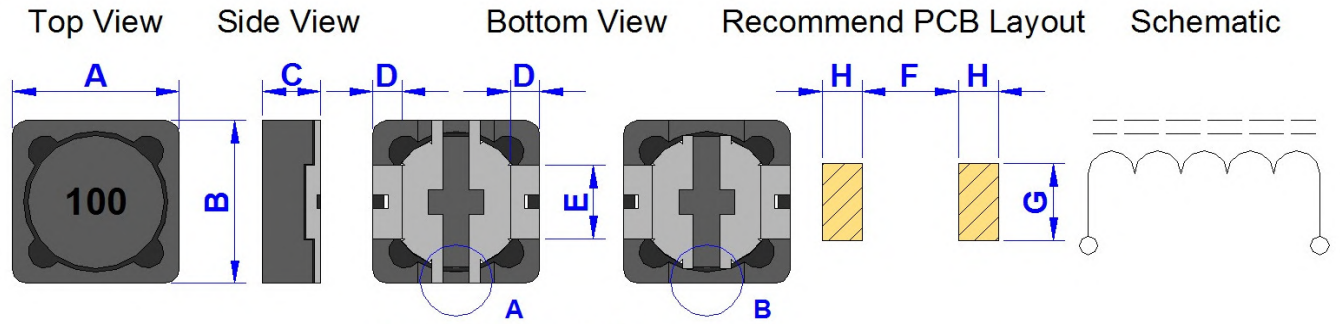
* L Value Tolerance : M = +/- 20%

* D.C.Current : Base on L drop 25% Max. & Temp. rise up 40 deg.C Max.

Product Series : GSDRH	Brand : GOTREND
File Version : GSDRH-SERIES-V5R5	Editor : Teddy Sun
Established Date : 2009.08.27	Description : Shielding Choke
Latest Edit Date : 2020.10.30	Product Type : <input checked="" type="checkbox"/> Standard <input type="checkbox"/> Customize

GSDRH127P-SERIES

Dimension [mm] :



A vs B different shape.

Does not affect the characteristics and use all acceptable !

A+/-0.5	B+/-0.5	C [Max.]	D+/-0.3	E+/-0.5	F [Ref.]	G [Ref.]	H [Ref.]
12.00	12.00	8.00	2.20	5.00	7.00	5.60	2.80

Electrical Characteristics :

Part No.	Inductance (uH)	DCR(ohm) (Max.)	Permissible DC Current (Amp) (Max.)
GSDRH127PT-121□	120.0	0.250	1.60
GSDRH127PT-151□	150.0	0.280	1.42
GSDRH127PT-181□	180.0	0.350	1.30
GSDRH127PT-221□	220.0	0.390	1.16
GSDRH127PT-271□	270.0	0.560	1.06
GSDRH127PT-331□	330.0	0.640	0.95
GSDRH127PT-391□	390.0	0.700	0.88
GSDRH127PT-471□	470.0	0.980	0.79
GSDRH127PT-561□	560.0	1.070	0.73
GSDRH127PT-681□	680.0	1.460	0.67
GSDRH127PT-821□	820.0	1.640	0.60
GSDRH127PT-102□	1000.0	1.820	0.55

* Measuring Freq.(L) : 1.0~8.2 uH (100KHz / 0.3V) , 10~820uH (1KHz / 0.3V).

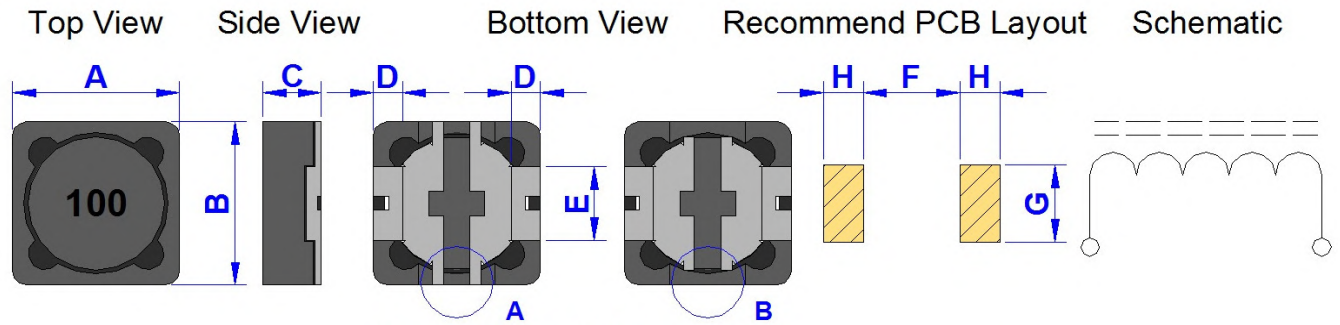
* L Value Tolerance : M = +/- 20%

* D.C.Current : Base on L drop 25% Max. & Temp. rise up 40 deg.C Max.

Product Series : GSDRH	Brand : GOTREND
File Version : GSDRH-SERIES-V5R5	Editor : Teddy Sun
Established Date : 2009.08.27	Description : Shielding Choke
Latest Edit Date : 2020.10.30	Product Type : <input checked="" type="checkbox"/> Standard <input type="checkbox"/> Customize

GSDRH129P-SERIES

Dimension [mm] :



A vs B different shape.

Does not affect the characteristics and use all acceptable !

A+/-0.5	B+/-0.5	C [Max.]	D+/-0.3	E+/-0.5	F [Ref.]	G [Ref.]	H [Ref.]
12.00	12.00	10.00	2.20	5.00	7.00	5.60	2.80

Electrical Characteristics :

Part No.	Inductance (uH)	DCR(ohm) (Max.)	Permissible DC Current (Amp) (Max.)
GSDRH129PT-1R0□	1.0	5.0m	16.00
GSDRH129PT-1R5□	1.5	5.0m	15.10
GSDRH129PT-2R2□	2.2	6.0m	13.20
GSDRH129PT-3R3□	3.3	7.0m	11.90
GSDRH129PT-4R7□	4.7	8.0m	10.80
GSDRH129PT-5R6□	5.6	10.0m	9.60
GSDRH129PT-6R8□	6.8	12.0m	8.70
GSDRH129PT-100□	10.0	17.0m	8.00
GSDRH129PT-150□	15.0	28.0m	7.00
GSDRH129PT-220□	22.0	32.0m	5.60
GSDRH129PT-330□	33.0	51.0m	4.80
GSDRH129PT-470□	47.0	78.0m	3.90
GSDRH129PT-680□	68.0	0.105	2.70
GSDRH129PT-820□	82.0	0.110	2.50
GSDRH129PT-101□	100.0	0.150	2.10
GSDRH129PT-181□	180.0	0.210	1.80
GSDRH129PT-102□	1000.0	1.000	0.80
GSDRH129PT-552□	5500.0	6.45	0.45

* Measuring Freq.(L) : 1.0~8.2 uH (100KHz / 0.3V) , 10~820uH (1KHz / 0.3V).

* L Value Tolerance : M = +/- 20% , 1R0 / 4R7 = +/- 30%

* D.C.Current : Base on L drop 25% Max. & Temp. rise up 40 deg.C Max.

Product Series : GSDRK	Brand : GOTREND
File Version : GSDRK-SERIES-V3R6	Editor : Teddy Sun
Established Date : 2009.09.01	Description : Shielding SMD power choke
Latest Edit Date : 2020.10.30	Product Type : <input checked="" type="checkbox"/> Standard <input type="checkbox"/> Customize

Features & Application :

- * Power supply PWM circuit input / output inductor
- * Power line noise suppression
- * DC-DC Converter
- * Shielding Structure for good in EMI effect
- * To help you go pass CE/FCC standard
- * MB / NB / IPC / LCD Monitor / STB / Network Device
- * Low Profile for all compact design



(Picture for reference only)

Part No. Example :

PN	:	GSDRK	127	P	-	100	M	<input type="checkbox"/>
-----		-----	-----	---		-----	----	----
ID	:	1	2	3		4	5	6
1	:	GOTREND Series Code						
2	:	Dimension Code :127 = (L) 12.5 x (W) 12.5 x (H) 8.0 mm						
3	:	RoHS Compliant						
4	:	Inductance : 100 = 10.0uH Ex: 3R3=3.3uH, 101=100uH						
5	:	Tolerance : M=20%, N=30%						
6	:	Special Code for specific item : S=Custom Design						

Basic Information :

Made in	China
Pin Foot	SMD
Shielding	Yes
J-STD-020	MSL Level 1
RoHS	Compliant
REACH	Compliant
Halogen	Free

Operating & Storage Condition :

- * Operating Temp -40 ~ +125 deg.C (Including self - temperature rise)
- * Storage Temp 1. -10 ~ +45 deg.C , 50 ~ 60% RH (Product with taping)
2. -40 ~ +125 deg.C (On board)
- * Storage Life Time 6 Month (Less than 40 deg.C and 60% RH)

Attention & Caution :

- * Keep out of Splashing water or salt water
- * Avoid Toxic Gas (Hydrogen sulfide, Sulfurous acid, Chlorine, Ammonia)
- * Avoid Vibrations or shocks which exceed the specified condition
- * Avoid Dew condense
- * Avoid Layout near the edge of PCB
- * Avoid Over flexure after SMT mounting & PCBA



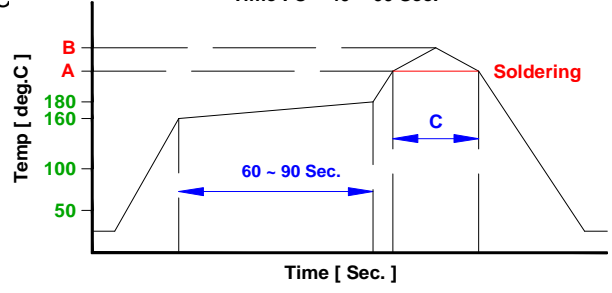
- * Pin foot or SMD pad solderability: Pb free type is best within 6 months after delivery
- * Humidity sensitive , IPC/JEDEC J-STD-020 MSL if over Level 1, recommend bake 30mins@150 degree before PCBA
- * Caution for human life relative applications : PLS contact & consult with GOTREND team in design stage.

Test Condition :

- * Equipment HP4284A , HP42841A - L , Q , DCR , IDC
HP8753D Network analyzer - SRF
- * Standard Atmosphere Conditions:
Ambient Temperature 20 ± 15 deg.C
Humidity RH 65 ± 20%
- * If there may be any doubt on the test result ,
Measurement shall be made within the following limits:
Ambient Temperature 25 ± 5 deg.C
Humidity RH 75 ± 10%

Recommend IR Reflow Curve : GTX-IR-FILE001

Lead Free Solder : A = 217 deg.C , B = 245+/-5 deg.C
Time : C = 40 ~ 60 Sec.

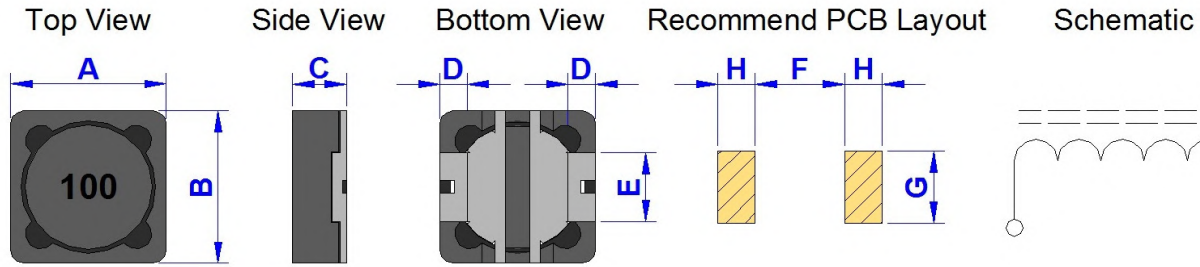


**Notice : Iron Soldering , Solder < 30 Watt ,
Direct touch the terminal x 3 Sec. Max. @ 350 deg.C**

Product Series : GSDRK	Brand : GOTREND
File Version : GSDRK-SERIES-V3R6	Editor : Teddy Sun
Established Date : 2009.09.01	Description : Shielding SMD power choke
Latest Edit Date : 2020.10.30	Product Type : <input checked="" type="checkbox"/> Standard <input type="checkbox"/> Customize

GSDRK74P-SERIES

Dimension [mm] :



A [Max.]	B [Max.]	C [Max.]	D+/-0.3	E+/-0.3	F [Ref.]	G [Ref.]	H [Ref.]
7.80	7.80	4.50	1.25	1.98	4.40	2.40	1.65

Electrical Characteristics :

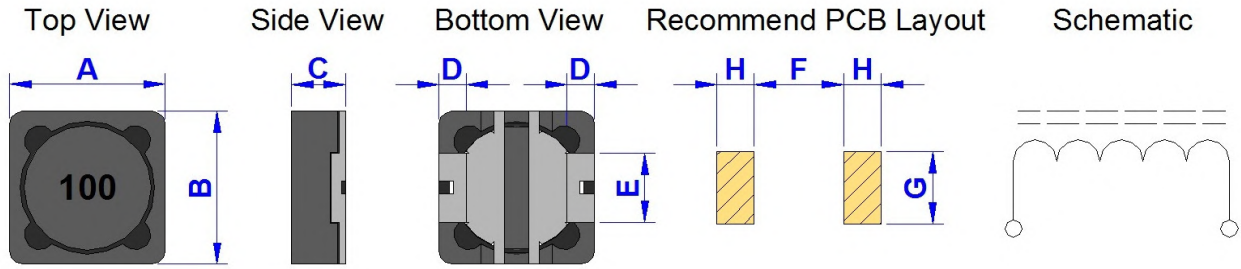
Part No.	Inductance (uH)	L-Tol.	RDC (m Ohm / Typ.)	RDC (m Ohm / Max.)	Isat 1 @ L-Drop 10% (Amp / Max.)	Isat 2 @ L-Drop 35% (Amp / Max.)	Irms @ ΔT=40 °C (Amp / Max.)
GSDRK74P-1R0□	1.0	M / N	10.9	13.2	9.50	10.50	8.40
GSDRK74P-1R5□	1.5	M / N	12.5	15.0	7.90	9.50	7.80
GSDRK74P-1R8□	1.8	M / N	14.1	17.0	7.70	8.60	7.30
GSDRK74P-2R2□	2.2	M / N	16.1	19.0	6.80	7.50	6.60
GSDRK74P-2R7□	2.7	M / N	18.9	23.0	6.30	7.00	6.20
GSDRK74P-3R3□	3.3	M / N	22.2	27.0	6.00	6.50	5.80
GSDRK74P-3R9□	3.9	M / N	25.2	30.0	5.40	6.00	5.40
GSDRK74P-4R7□	4.7	M / N	27.7	34.0	5.00	5.50	5.20
GSDRK74P-5R6□	5.6	M / N	34.8	42.0	4.10	5.00	4.80
GSDRK74P-6R8□	6.8	M / N	40.0	48.0	3.80	4.50	4.50
GSDRK74P-8R2□	8.2	M / N	48.0	58.0	3.60	4.10	4.30
GSDRK74P-100□	10.0	M	55.6	67.0	2.55	3.50	4.00
GSDRK74P-120□	12.0	M	63.2	76.0	2.50	3.40	3.80
GSDRK74P-150□	15.0	M	79.0	95.0	2.40	3.30	3.50
GSDRK74P-180□	18.0	M	97.4	117.0	2.10	2.90	3.20
GSDRK74P-220□	22.0	M	114.0	136.0	2.00	2.60	3.00
GSDRK74P-270□	27.0	M	123.0	147.0	1.90	2.40	2.80
GSDRK74P-330□	33.0	M	152.0	182.0	1.65	2.10	2.40
GSDRK74P-390□	39.0	M	164.0	196.0	1.55	2.00	2.20
GSDRK74P-470□	47.0	M	200.0	240.0	1.50	1.82	2.00
GSDRK74P-560□	56.0	M	250.0	300.0	1.35	1.60	1.78
GSDRK74P-680□	68.0	M	290.0	350.0	1.25	1.50	1.65
GSDRK74P-820□	82.0	M	390.0	470.0	1.10	1.30	1.50
GSDRK74P-101□	100.0	M	490.0	590.0	1.00	1.18	1.30
GSDRK74P-121□	120.0	M	600.0	720.0	0.90	1.10	1.15
GSDRK74P-151□	150.0	M	770.0	920.0	0.75	0.90	1.00

- L Tolerance : M = +/-20% ; N = +/-30% ■ L value test frequency : 1.0~8.2uH @ 100KHz / 0.3V ; 10~1000uH @ 1KHz / 0.3V
- The Isat1 is the current at which the inductance decreases by 10% from the initial value
- The Isat2 is the current at which the inductance decreases by 35% from the initial value
- The Irms is the current at which the temperature rise is ΔT < 40°C ,whichever (Ta=20°C).

Product Series : GSDRK	Brand : GOTREND
File Version : GSDRK-SERIES-V3R6	Editor : Teddy Sun
Established Date : 2009.09.01	Description : Shielding SMD power choke
Latest Edit Date : 2020.10.30	Product Type : <input checked="" type="checkbox"/> Standard <input type="checkbox"/> Customize

GSDRK74P-SERIES

Dimension [mm] :



A [Max.]	B [Max.]	C [Max.]	D+/-0.3	E+/-0.3	F [Ref.]	G [Ref.]	H [Ref.]
7.80	7.80	4.50	1.25	1.98	4.40	2.40	1.65

Electrical Characteristics :

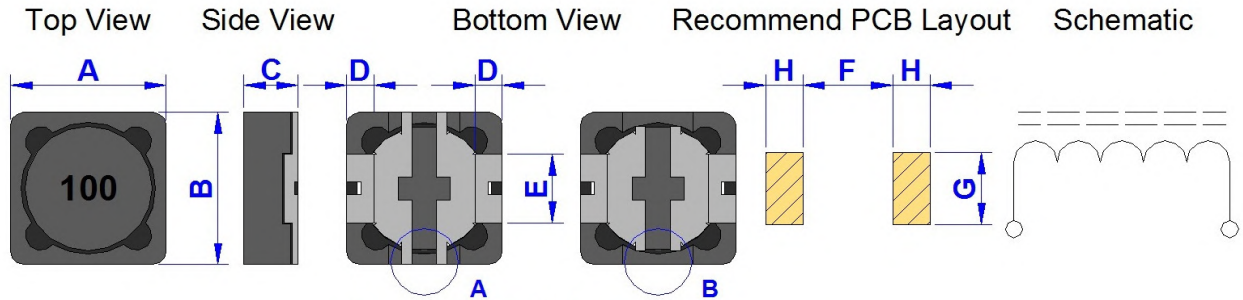
Part No.	Inductance (uH)	L-Tol.	RDC (m Ohm / Typ.)	RDC (m Ohm / Max.)	Isat 1 @ L-Drop 10% (Amp / Max.)	Isat 2 @ L-Drop 35% (Amp / Max.)	Irms @ ΔT=40 °C (Amp / Max.)
GSDRK74P-181□	180.0	M	860.0	1030.0	0.74	0.86	0.95
GSDRK74P-221□	220.0	M	1050.0	1250.0	0.70	0.77	0.85
GSDRK74P-271□	270.0	M	1300.0	1560.0	0.63	0.70	0.78
GSDRK74P-331□	330.0	M	1620.0	1940.0	0.59	0.65	0.72
GSDRK74P-391□	390.0	M	2100.0	2500.0	0.50	0.59	0.65
GSDRK74P-471□	470.0	M	2340.0	2800.0	0.45	0.54	0.60
GSDRK74P-561□	560.0	M	3000.0	3600.0	0.42	0.50	0.56
GSDRK74P-681□	680.0	M	3350.0	4020.0	0.40	0.44	0.48
GSDRK74P-821□	820.0	M	3800.0	4560.0	0.35	0.40	0.44
GSDRK74P-102□	1000.0	M	5044.0	6050.0	0.28	0.35	0.38
GSDRK74P-152□	1500.0	M	/	6800.0	/	/	0.30
GSDRK74P-202□	2000.0	M	/	10200.0	/	/	0.30
GSDRK74P-103□	10000.0	M	/	63800.0	/	/	0.10

- L Tolerance : M = +/-20% ; N = +/-30%
- L value test frequency : 1.0~8.2uH @ 100KHz / 0.3V ; 10~1000uH @ 1KHz / 0.3V
- The Isat1 is the current at which the inductance decreases by 10% from the initial value
- The Isat2 is the current at which the inductance decreases by 35% from the initial value
- The Irms is the current at which the temperature rise is ΔT < 40°C ,whichever (Ta=20°C).

Product Series : GSDRK	Brand : GOTREND
File Version : GSDRK-SERIES-V3R6	Editor : Teddy Sun
Established Date : 2009.09.01	Description : Shielding SMD power choke
Latest Edit Date : 2020.10.30	Product Type : <input checked="" type="checkbox"/> Standard <input type="checkbox"/> Customize

GSDRK125P-SERIES

Dimension [mm] :



A vs B different shape.
Does not affect the characteristics and use all acceptable !

A [Max.]	B [Max.]	C [Max.]	D+/-0.3	E+/-0.5	F [Ref.]	G [Ref.]	H [Ref.]
12.50	12.50	6.00	2.25	5.00	7.00	5.60	2.80

Electrical Characteristics :

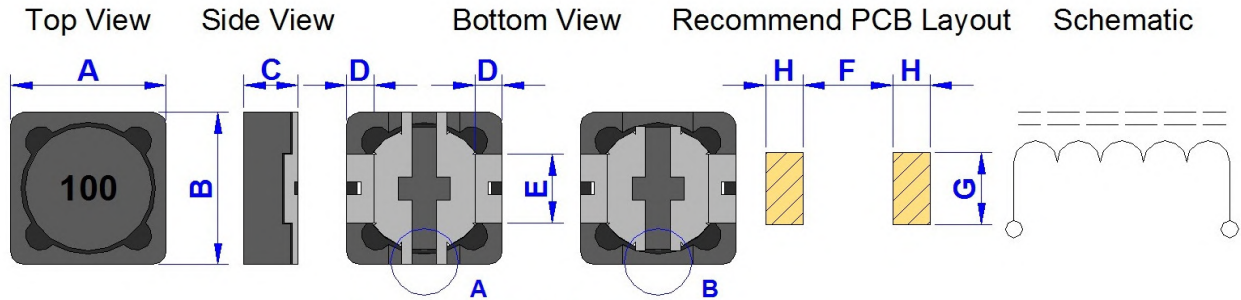
Part No.	Inductance (uH)	L-Tol.	RDC (m Ohm / Typ.)	RDC (m Ohm / Max.)	Isat 1 @ L-Drop 10% (Amp / Max.)	Isat 2 @ L-Drop 35% (Amp / Max.)	Irms @ ΔT=40 °C (Amp / Max.)
GSDRK125P-2R2□	2.2	N	10.00	13.00	15.00	16.00	9.00
GSDRK125P-2R7□	2.7	N	5.00	8.00	13.00	14.00	9.00
GSDRK125P-3R3□	3.3	M / N	9.70	15.00	12.20	13.20	8.20
GSDRK125P-3R9□	3.9	M / N	10.70	16.00	11.00	12.20	7.80
GSDRK125P-4R7□	4.7	M / N	11.40	17.00	10.50	11.30	7.50
GSDRK125P-5R6□	5.6	M / N	14.00	18.00	9.40	10.00	6.70
GSDRK125P-6R8□	6.8	M / N	15.30	20.00	8.50	9.30	6.40
GSDRK125P-8R2□	8.2	M / N	16.60	22.00	7.50	8.40	6.10
GSDRK125P-100□	10.0	M	18.60	24.00	7.00	8.00	5.75
GSDRK125P-120□	12.0	M	21.80	28.00	6.60	7.50	5.30
GSDRK125P-150□	15.0	M	24.00	30.00	6.00	6.60	5.00
GSDRK125P-180□	18.0	M	29.40	37.00	5.40	6.00	4.70
GSDRK125P-220□	22.0	M	33.50	42.00	4.80	5.50	4.40
GSDRK125P-270□	27.0	M	40.50	51.00	4.50	5.00	4.00
GSDRK125P-330□	33.0	M	50.30	63.00	4.00	4.50	3.63
GSDRK125P-390□	39.0	M	62.00	78.00	3.50	4.00	3.20
GSDRK125P-470□	47.0	M	69.00	87.00	3.30	3.60	3.00
GSDRK125P-560□	56.0	M	83.00	104.00	3.00	3.30	2.70
GSDRK125P-680□	68.0	M	98.00	125.00	2.75	3.00	2.50
GSDRK125P-820□	82.0	M	116.00	145.00	2.40	2.70	2.20
GSDRK125P-101□	100.0	M	143.00	180.00	2.30	2.55	1.90
GSDRK125P-121□	120.0	M	166.00	210.00	2.00	2.30	1.70
GSDRK125P-151□	150.0	M	211.00	270.00	1.85	2.05	1.50
GSDRK125P-181□	180.0	M	246.00	310.00	1.65	1.85	1.35
GSDRK125P-221□	220.0	M	293.00	370.00	1.50	1.75	1.25
GSDRK125P-271□	270.0	M	380.00	470.00	1.38	1.58	1.10

- L Tolerance : M = +/-20% ; N = +/-30%
- L value test frequency : 1.0~8.2uH @ 100KHz / 0.3V ; 10~1000uH @ 1KHz / 0.3V
- The Isat1 is the current at which the inductance decreases by 10% from the initial value
- The Isat2 is the current at which the inductance decreases by 35% from the initial value
- The Irms by Stand-Type is the current at which the temperature rise is ΔT ≤ 40°C ,whichever (Ta=20°C).

Product Series : GSDRK	Brand : GOTREND
File Version : GSDRK-SERIES-V3R6	Editor : Teddy Sun
Established Date : 2009.09.01	Description : Shielding SMD power choke
Latest Edit Date : 2020.10.30	Product Type : <input checked="" type="checkbox"/> Standard <input type="checkbox"/> Customize

GSDRK125P-SERIES

Dimension [mm] :



A vs B different shape.
Does not affect the characteristics and use all acceptable !

A [Max.]	B [Max.]	C [Max.]	D+/-0.3	E+/-0.5	F [Ref.]	G [Ref.]	H [Ref.]
12.50	12.50	6.00	2.25	5.00	7.00	5.60	2.80

Electrical Characteristics :

Part No.	Inductance (uH)	L-Tol.	RDC (m Ohm / Typ.)	RDC (m Ohm / Max.)	Isat 1 @ L-Drop 10% (Amp / Max.)	Isat 2 @ L-Drop 35% (Amp / Max.)	Irms @ ΔT=40 °C (Amp / Max.)
GSDRK125P-331□	330.0	M	460.00	580.00	1.25	1.40	1.00
GSDRK125P-391□	390.0	M	550.00	680.00	1.15	1.30	0.92
GSDRK125P-471□	470.0	M	660.00	820.00	1.05	1.20	0.83
GSDRK125P-561□	560.0	M	770.00	960.00	0.98	1.08	0.76
GSDRK125P-681□	680.0	M	950.00	1200.00	0.88	0.98	0.69
GSDRK125P-821□	820.0	M	1120.00	1400.00	0.78	0.88	0.64
GSDRK125P-102□	1000.0	M	1550.00	1940.00	0.68	0.78	0.56

■ L Tolerance : M = +/-20% ; N = +/-30%

■ L value test frequency : 1.0~8.2uH @ 100KHz / 0.3V ; 10~1000uH @ 1KHz / 0.3V

■ The Isat1 is the current at which the inductance decreases by 10% from the initial value

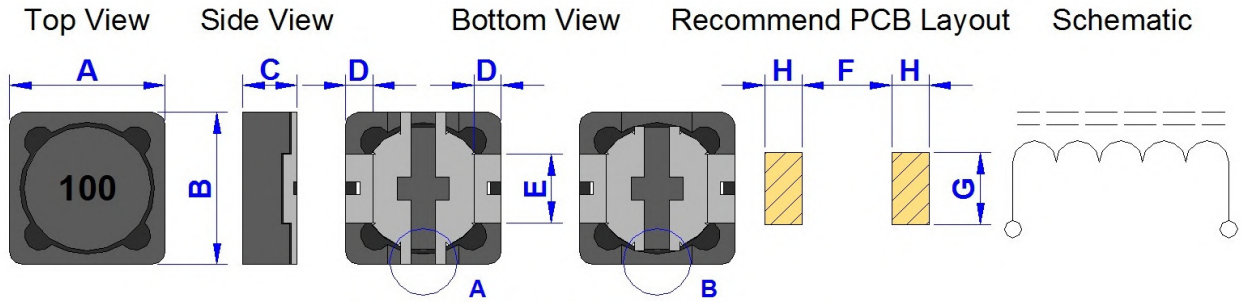
■ The Isat2 is the current at which the inductance decreases by 35% from the initial value

■ The Irms by Stand-Type is the current at which the temperature rise is $\Delta T \leq 40^{\circ}\text{C}$,whichever (Ta=20°C).

Product Series : GSDRK	Brand : GOTREND
File Version : GSDRK-SERIES-V3R6	Editor : Teddy Sun
Established Date : 2009.09.01	Description : Shielding SMD power choke
Latest Edit Date : 2020.10.30	Product Type : <input checked="" type="checkbox"/> Standard <input type="checkbox"/> Customize

GSDRK127P-SERIES

Dimension [mm] :



A vs B different shape.
Does not affect the characteristics and use all acceptable !

A [Max.]	B [Max.]	C [Max.]	D+/-0.3	E+/-0.5	F [Ref.]	G [Ref.]	H [Ref.]
12.50	12.50	8.00	2.25	5.00	7.00	5.60	2.80

Electrical Characteristics :

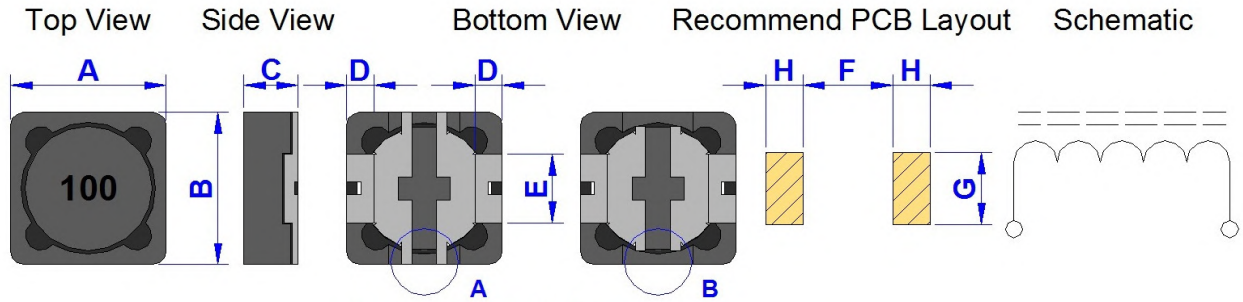
Part No.	Inductance (uH)	L-Tol.	RDC (m Ohm / Typ.)	RDC (m Ohm / Max.)	Isat 1 @ L-Drop 10% (Amp / Max.)	Isat 2 @ L-Drop 35% (Amp / Max.)	Irms @ ΔT=40 °C (Amp / Max.)
GSDRK127P-R68□	0.68	N	4.50	5.85	20.00	26.00	11.00
GSDRK127P-1R0□	1.0	N	4.50	5.85	20.00	21.00	11.00
GSDRK127P-1R5□	1.5	N	4.80	7.80	19.00	20.00	10.50
GSDRK127P-2R2□	2.2	M / N	6.50	8.45	19.00	20.00	10.00
GSDRK127P-3R3□	3.3	M / N	7.59	10.00	18.00	19.00	9.60
GSDRK127P-4R7□	4.7	M / N	9.75	13.00	14.50	16.60	8.20
GSDRK127P-5R6□	5.6	M / N	12.50	15.50	13.50	15.00	7.60
GSDRK127P-6R8□	6.8	M / N	13.40	16.80	12.70	13.50	7.35
GSDRK127P-8R2□	8.2	M / N	15.40	19.00	11.30	12.50	6.50
GSDRK127P-100□	10.0	M	18.70	23.50	10.00	11.50	6.10
GSDRK127P-120□	12.0	M	19.60	25.00	9.50	10.50	5.50
GSDRK127P-150□	15.0	M	27.50	34.00	8.60	9.50	5.00
GSDRK127P-180□	18.0	M	29.70	38.00	7.80	8.60	4.80
GSDRK127P-220□	22.0	M	36.60	45.80	7.00	7.70	4.60
GSDRK127P-270□	27.0	M	41.90	52.50	6.35	7.00	4.20
GSDRK127P-330□	33.0	M	51.60	62.00	5.45	6.30	3.80
GSDRK127P-390□	39.0	M	59.70	72.00	5.30	6.00	3.50
GSDRK127P-470□	47.0	M	72.00	87.00	5.00	5.50	3.10
GSDRK127P-560□	56.0	M	90.00	110.00	4.50	5.00	2.90
GSDRK127P-680□	68.0	M	108.00	130.00	4.00	4.30	2.70
GSDRK127P-820□	82.0	M	123.00	148.00	3.60	4.00	2.50
GSDRK127P-850□	85.0	K	137.00	165.00	3.30	3.60	/
GSDRK127P-101□	100.0	M	152.00	182.00	3.20	3.50	2.20
GSDRK127P-121□	120.0	M	170.00	204.00	3.10	3.40	2.00
GSDRK127P-151□	150.0	M	226.00	270.00	2.90	3.20	1.80
GSDRK127P-181□	180.0	M	283.00	340.00	2.50	2.80	1.60

- L Tolerance : K = +/-10% ; M = +/-20% ; N = +/-30%
- L value test frequency : 1.0~8.2uH @ 100KHz / 0.3V ; 10~6800uH @ 1KHz / 0.3V
- The Isat1 is the current at which the inductance decreases by 10% from the initial value
- The Isat2 is the current at which the inductance decreases by 35% from the initial value
- The Irms by Stand-Type is the current at which the temperature rise is ΔT ≤ 40°C ,whichever (Ta=20°C).

Product Series : GSDRK	Brand : GOTREND
File Version : GSDRK-SERIES-V3R6	Editor : Teddy Sun
Established Date : 2009.09.01	Description : Shielding SMD power choke
Latest Edit Date : 2020.10.30	Product Type : <input checked="" type="checkbox"/> Standard <input type="checkbox"/> Customize

GSDRK127P-SERIES

Dimension [mm] :



**A vs B different shape.
Does not affect the characteristics and use all acceptable !**

A [Max.]	B [Max.]	C [Max.]	D+/-0.3	E+/-0.5	F [Ref.]	G [Ref.]	H [Ref.]
12.50	12.50	8.00	2.25	5.00	7.00	5.60	2.80

Electrical Characteristics :

Part No.	Inductance (uH)	L-Tol.	RDC (m Ohm / Typ.)	RDC (m Ohm / Max.)	Isat 1 @ L-Drop 10% (Amp / Max.)	Isat 2 @ L-Drop 35% (Amp / Max.)	Irms @ ΔT=40 °C (Amp / Max.)
GSDRK127P-221□	220.0	M	348.00	420.00	2.25	2.50	1.45
GSDRK127P-271□	270.0	M	397.00	480.00	2.00	2.30	1.30
GSDRK127P-331□	330.0	M	500.00	600.00	1.90	2.00	1.20
GSDRK127P-391□	390.0	M	560.00	670.00	1.70	1.90	1.10
GSDRK127P-471□	470.0	M	657.00	800.00	1.55	1.70	1.00
GSDRK127P-561□	560.0	M	820.00	1000.00	1.45	1.60	0.90
GSDRK127P-681□	680.0	M	990.00	1200.00	1.30	1.45	0.80
GSDRK127P-821□	820.0	M	1260.00	1500.00	1.20	1.30	0.70
GSDRK127P-102□	1000.0	M	1530.00	1820.00	1.09	1.20	0.60
GSDRK127P-222□	2200.0	K / M	3050.00	3660.00	0.70	0.80	0.42
GSDRK127P-332□	3300.0	K / M	4250.00	5100.00	0.45	0.55	0.35
GSDRK127P-682□	6800.0	M	9130.00	10950.00	0.30	0.30	0.24

- L Tolerance : K = +/-10% ; M = +/-20% ; N = +/-30%
- L value test frequency : 1.0~8.2uH @ 100KHz / 0.3V ; 10~6800uH @ 1KHz / 0.3V
- The Isat1 is the current at which the inductance decreases by 10% from the initial value
- The Isat2 is the current at which the inductance decreases by 35% from the initial value
- The Irms by Stand-Type is the current at which the temperature rise is ΔT ≤ 40°C ,whichever (Ta=20°C).

Product Series : GSDRM	Brand : GOTREND
File Version : GSDRM-SERIES-V1R2	Editor : Teddy Sun
Established Date : 2016.12.16	Description : SMD Alloy Power Choke
Latest Edit Date : 2020.10.30	Product Type : <input checked="" type="checkbox"/> Standard <input type="checkbox"/> Customize

Features & Application :

- * Power supply PWM circuit input / output inductor
- * Power line noise suppression
- * DC-DC Converter
- * Shielding Structure for good in EMI effect
- * To help you go pass CE / FCC standard
- * MB / NB / IPC / LCD Monitor / STB / Network Device



(Picture for reference only)

Part No. Example :

PN	:	GSDRM	74	P	-	100	M
-----		-----	-----	---		-----	----
ID	:	1	2	3		4	5
1	:	GOTREND Series Code					
2	:	Dimension Code : 74 = (L) 7.8 x (W) 7.8 x (H) 4.5 mm					
3	:	RoHS Compliant					
4	:	Inductance : 100 = 10.0uH Ex: 3R3=3.3uH , 101=100uH					
5	:	Tolerance : M = 20% , N = 30%					

Basic Information :

Made in	China
Pin Foot	SMD
Shielding	Yes
J-STD-020	MSL Level 1
RoHS	Compliant
REACH	Compliant
Halogen	Free

Operating & Storage Condition :

- * Operating Temp -40 ~ +125 deg.C (Including self - temperature rise)
- * Storage Temp 1. -10 ~ +45 deg.C , 50 ~ 60% RH (Product with taping)
2. -40 ~ +125 deg.C (On board)
- * Storage Life Time 6 Month (Less than 40 deg.C and 60% RH)

Attention & Caution :

- * Keep out of Splashing water or salt water
- * Avoid Toxic Gas (Hydrogen sulfide, Sulfurous acid, Chlorine, Ammonia)
- * Avoid Vibrations or shocks which exceed the specified condition
- * Avoid Dew condense
- * Avoid Layout near the edge of PCB
- * Avoid Over flexure after SMT mounting & PCBA



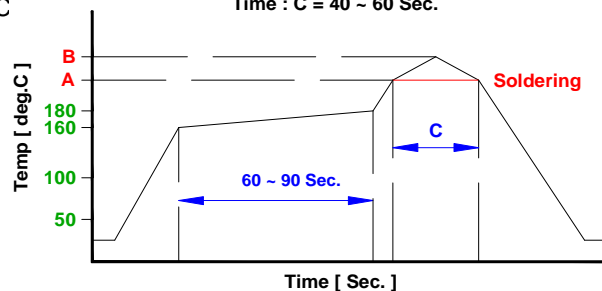
- * Pin foot or SMD pad solderability: Pb free type is best within 6 months after delivery
- * Humidity sensitive , IPC/JEDEC J-STD-020 MSL if over Level 1, recommend bake 30mins@150 degree before PCBA
- * Caution for human life relative applications : PLS contact & consult with GOTREND team in design stage.

Test Condition :

- * Equipment HP4284A , HP42841A - L , Q , DCR , IDC
HP8753D Network analyzer - SRF
- * Standard Atmosphere Conditions:
Ambient Temperature 20 ± 15 deg.C
Humidity RH 65 ± 20%
- * If there may be any doubt on the test result ,
Measurement shall be made within the following limits:
Ambient Temperature 25 ± 5 deg.C
Humidity RH 75 ± 10%

Recommend IR Reflow Curve : GTX-IR-FILE001

Lead Free Solder : A = 217 deg.C , B = 245+/-5 deg.C
Time : C = 40 ~ 60 Sec.

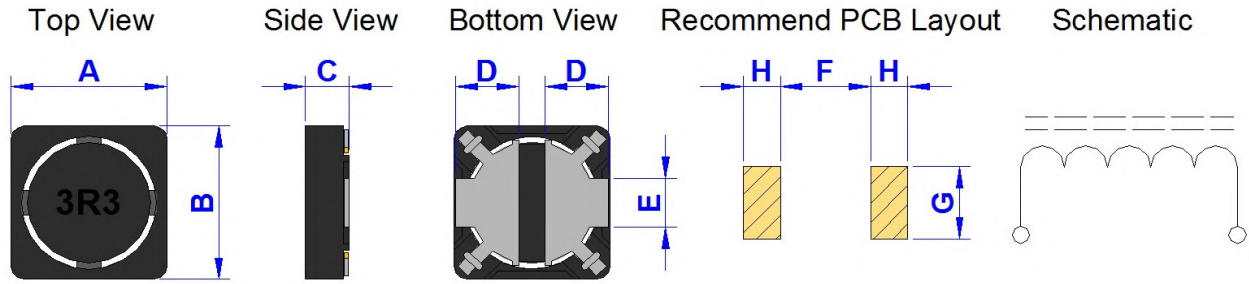


Notice : Iron Soldering , Solder < 30 Watt ,
Direct touch the terminal x 3 Sec. Max. @ 350 deg.C

Product Series : GSDRM	Brand : GOTREND
File Version : GSDRM-SERIES-V1R2	Editor : Teddy Sun
Established Date : 2016.12.16	Description : SMD Alloy Power Choke
Latest Edit Date : 2020.10.30	Product Type : <input checked="" type="checkbox"/> Standard <input type="checkbox"/> Customize

GSDRM53P-SERIES

Dimension [mm] :



A [Max.]	B [Max.]	C [Max.]	D+/-0.3	E+/-0.3	F [Ref.]	G [Ref.]	H [Ref.]
5.20	5.20	3.20	1.90	1.60	3.10	2.00	1.15

Electrical Characteristics :

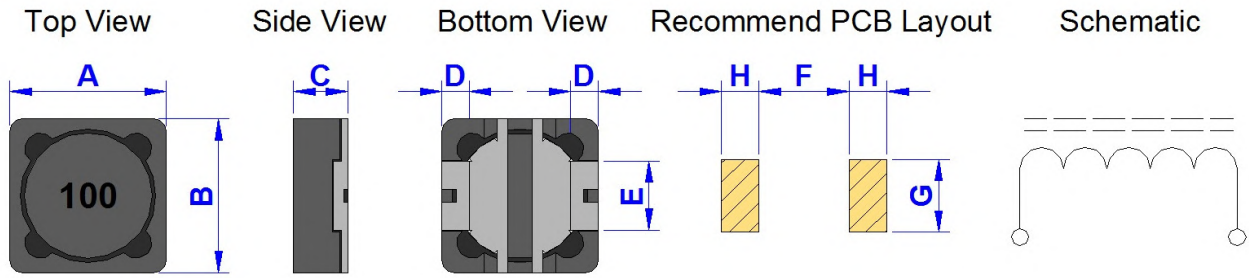
Part No.	Inductance (uH)	L-Tolerance	DCR (mΩ) Typ.	DCR (mΩ) Max.	Isat (A) Typ.	Irms (A) Typ.
GSDRM53P-1R0 <input type="checkbox"/>	1.0	M	22.0	26.4	8.00	5.00
GSDRM53P-1R5 <input type="checkbox"/>	1.5	M	30.0	36.0	7.00	4.20
GSDRM53P-2R2 <input type="checkbox"/>	2.2	M	42.0	50.4	6.00	3.60
GSDRM53P-3R3 <input type="checkbox"/>	3.3	M	54.0	64.8	5.20	3.20
GSDRM53P-4R7 <input type="checkbox"/>	4.7	M	82.0	98.4	4.60	2.70
GSDRM53P-6R8 <input type="checkbox"/>	6.8	M	105.0	126.0	4.00	2.40
GSDRM53P-100 <input type="checkbox"/>	10.0	M	135.0	162.0	3.60	2.20
GSDRM53P-150 <input type="checkbox"/>	15.0	M	205.0	246.0	3.00	1.80
GSDRM53P-220 <input type="checkbox"/>	22.0	M	270.0	324.0	2.60	1.60
GSDRM53P-330 <input type="checkbox"/>	33.0	M	480.0	576.0	2.00	1.20
GSDRM53P-470 <input type="checkbox"/>	47.0	M	650.0	780.0	1.70	1.00
GSDRM53P-680 <input type="checkbox"/>	68.0	M	900.0	1080.0	1.40	0.85
GSDRM53P-101 <input type="checkbox"/>	100.0	M	1350.0	1620.0	1.10	0.70

- L Tolerance : M = +/-20%
- L value test frequency : @ 100KHz / 0.3V
- The Isat is the current at which the inductance decreases by 35% from the initial value
- The Irms is the current at which the temperature rise is $\Delta T < 40^{\circ}\text{C}$,whichever ($T_a = 20^{\circ}\text{C}$).

Product Series : GSDRM	Brand : GOTREND
File Version : GSDRM-SERIES-V1R2	Editor : Teddy Sun
Established Date : 2016.12.16	Description : SMD Alloy Power Choke
Latest Edit Date : 2020.10.30	Product Type : <input checked="" type="checkbox"/> Standard <input type="checkbox"/> Customize

GSDRM74P-SERIES

Dimension [mm] :



A [Max.]	B [Max.]	C [Max.]	D+/-0.3	E+/-0.3	F [Ref.]	G [Ref.]	H [Ref.]
7.80	7.80	4.50	1.25	1.98	4.40	2.40	1.65

Electrical Characteristics :

Part No.	Inductance (uH)	L-Tolerance	DCR (mΩ) Typ.	DCR (mΩ) Max.	Isat (A) Typ.	Irms (A) Typ.
GSDRM74P-1R0 <input type="checkbox"/>	1.0	N	10.5	12.6	13.50	9.00
GSDRM74P-1R5 <input type="checkbox"/>	1.5	M	13.0	15.6	12.30	8.50
GSDRM74P-1R8 <input type="checkbox"/>	1.8	M	15.5	18.6	11.20	8.00
GSDRM74P-2R2 <input type="checkbox"/>	2.2	M	16.3	19.6	9.70	7.50
GSDRM74P-2R7 <input type="checkbox"/>	2.7	M	18.5	22.2	9.00	7.00
GSDRM74P-3R3 <input type="checkbox"/>	3.3	M	22.0	26.4	8.50	6.50
GSDRM74P-3R9 <input type="checkbox"/>	3.9	M	23.4	28.2	7.80	6.00
GSDRM74P-4R7 <input type="checkbox"/>	4.7	M	32.5	39.0	7.20	5.60
GSDRM74P-5R6 <input type="checkbox"/>	5.6	M	36.5	43.8	6.50	5.20
GSDRM74P-6R8 <input type="checkbox"/>	6.8	N	41.0	49.2	5.60	4.80
GSDRM74P-8R2 <input type="checkbox"/>	8.2	M	50.0	60.0	5.20	4.60
GSDRM74P-100 <input type="checkbox"/>	10.0	M	56.0	67.2	4.60	4.30
GSDRM74P-150 <input type="checkbox"/>	15.0	M	84.0	100.8	4.20	4.00
GSDRM74P-220 <input type="checkbox"/>	22.0	M	120.0	144.0	3.40	3.50
GSDRM74P-330 <input type="checkbox"/>	33.0	M	136.0	163.2	2.70	3.00
GSDRM74P-470 <input type="checkbox"/>	47.0	M	230.0	276.0	2.30	2.50
GSDRM74P-680 <input type="checkbox"/>	68.0	M	330.0	396.0	2.00	2.00
GSDRM74P-101 <input type="checkbox"/>	100.0	M	500.0	600.0	1.50	1.50
GSDRM74P-151 <input type="checkbox"/>	150.0	M	800.0	960.0	1.00	1.20
GSDRM74P-221 <input type="checkbox"/>	220.0	M	1150.0	1380.0	0.95	1.00
GSDRM74P-331 <input type="checkbox"/>	330.0	M	1750.0	2100.0	0.85	0.80
GSDRM74P-471 <input type="checkbox"/>	470.0	M	2450.0	2940.0	0.70	0.65
GSDRM74P-681 <input type="checkbox"/>	680.0	M	3600.0	4320.0	0.57	0.55
GSDRM74P-102 <input type="checkbox"/>	1000.0	M	5300.0	6360.0	0.46	0.45

■ L Tolerance : M = +/-20% ; N = +/-30%

■ L value test frequency : @ 100KHz / 0.3V

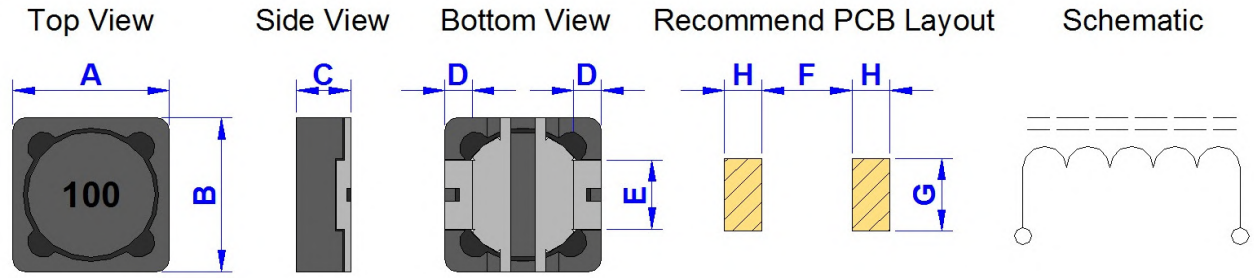
■ The Isat is the current at which the inductance decreases by 35% from the initial value

■ The Irms is the current at which the temperature rise is $\Delta T < 40^{\circ}\text{C}$,whichever ($T_a = 20^{\circ}\text{C}$).

Product Series : GSDRM	Brand : GOTREND
File Version : GSDRM-SERIES-V1R2	Editor : Teddy Sun
Established Date : 2016.12.16	Description : SMD Alloy Power Choke
Latest Edit Date : 2020.10.30	Product Type : <input checked="" type="checkbox"/> Standard <input type="checkbox"/> Customize

GSDRM104P-SERIES

Dimension [mm] :



A [Max.]	B [Max.]	C [Max.]	D+/-0.3	E+/-0.3	F [Ref.]	G [Ref.]	H [Ref.]
10.50	10.50	4.60	1.60	3.80	6.40	4.20	2.05

Electrical Characteristics :

Part No.	Inductance (uH)	L-Tolerance	DCR (mΩ) Typ.	DCR (mΩ) Max.	Isat (A) Typ.	Irms (A) Typ.
GSDRM104P-4R7□	4.7	M	32.0	38.4	9.50	6.00
GSDRM104P-6R8□	6.8	M	52.0	62.4	7.50	4.70
GSDRM104P-100□	10.0	M	74.0	88.8	6.20	3.90
GSDRM104P-120□	12.0	M	80.0	96.0	5.90	3.70
GSDRM104P-150□	15.0	M	100.0	120.0	5.20	3.40
GSDRM104P-180□	18.0	M	135.0	162.0	4.70	3.20
GSDRM104P-220□	22.0	M	150.0	180.0	4.50	3.00
GSDRM104P-270□	27.0	M	185.0	222.0	4.20	2.70
GSDRM104P-330□	33.0	M	220.0	264.0	3.80	2.40
GSDRM104P-390□	39.0	M	260.0	312.0	3.40	2.20
GSDRM104P-470□	47.0	M	300.0	360.0	3.10	1.90
GSDRM104P-560□	56.0	M	340.0	408.0	2.90	1.70
GSDRM104P-680□	68.0	M	440.0	528.0	2.50	1.60
GSDRM104P-820□	82.0	M	490.0	588.0	2.30	1.50
GSDRM104P-101□	100.0	M	690.0	828.0	2.10	1.40
GSDRM104P-121□	120.0	M	720.0	864.0	2.00	1.30
GSDRM104P-151□	150.0	M	910.0	1092.0	1.70	1.10
GSDRM104P-181□	180.0	M	1250.0	1500.0	1.40	0.90
GSDRM104P-221□	220.0	M	1600.0	1920.0	1.20	0.75
GSDRM104P-271□	270.0	M	2000.0	2400.0	1.00	0.65
GSDRM104P-331□	330.0	M	2300.0	2760.0	0.90	0.60
GSDRM104P-391□	390.0	M	2800.0	3360.0	0.80	0.50
GSDRM104P-471□	470.0	M	3200.0	3840.0	0.70	0.45

- L Tolerance : M = +/-20%
- L value test frequency : @ 100KHz / 0.3V
- The Isat is the current at which the inductance decreases by 35% from the initial value
- The Irms is the current at which the temperature rise is $\Delta T < 40^{\circ}\text{C}$,whichever ($T_a = 20^{\circ}\text{C}$).

Product Series : GSSQ	Brand : GOTREND
File Version : GSSQ-SERIES-V3R8	Editor : Teddy Sun
Established Date : 2009.02.13	Description : SMD Power Choke
Latest Edit Date : 2020.10.30	Product Type : <input checked="" type="checkbox"/> Standard <input type="checkbox"/> Customize

Features & Application :

- * LowProfile SMD Choke
- * Fit for power line & signal line circuit
- * To help you go pass the CE/FCC standard.
- * Mobile Device / Handheld Device / LowProfile Device / Panel...



(Picture for reference only)

Part No. Example :

PN	:	GSSQ	320	P	LD	-	6R3	N
-----		-----	-----	---	-----		----	----
ID	:	1	2	3	4		5	6
1	:	GOTREND Series : GSSQ						
2	:	Dimension Code 3.2x3.2x2.2						
3	:	P=Pb free<1000ppm						
4	:	LD=Low DCR Type						
5	:	[L] Value : Inductance						
6	:	Tolerance: N=30%,M=20%						

Basic Information :

Made in	China
Pin Foot	SMD
Shielding	Yes
J-STD-020	MSL Level 1
RoHS	Compliant
REACH	Compliant
Halogen	Free

Operating & Storage Condition :

- * Operating Temp -40 ~ +125 deg.C (Including self - temperature rise)
- * Storage Temp 1. -10 ~ +45 deg.C , 50 ~ 60% RH (Product with taping)
2. -40 ~ +125 deg.C (On board)
- * Storage Life Time 12 Month (Less than 40 deg.C and 60% RH)

Attention & Caution :

- * Keep out of Splashing water or salt water
- * Avoid Toxic Gas (Hydrogen sulfide, Sulfurous acid, Chlorine, Ammonia)
- * Avoid Vibrations or shocks which exceed the specified condition
- * Avoid Dew condense
- * Avoid Layout near the edge of PCB
- * Avoid Over flexure after SMT mounting & PCBA
- * Pin foot or SMD pad solderability: Pb free type is best within 6 months after delivery
- * Humidity sensitive , IPC/JEDEC J-STD-020 MSL if over Level 1, recommend bake 30mins@150 degree before PCBA
- * Caution for human life relative applications : PLS contact & consult with GOTREND team in design stage.

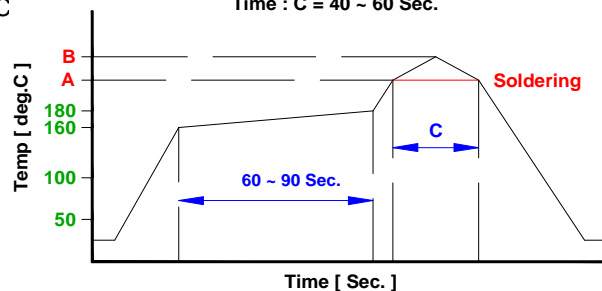


Test Condition :

- * Equipment HP4284A , HP42841A - L , Q , DCR , IDC
HP8753D Network analyzer - SRF
- * Standard Atmosphere Conditions:
Ambient Temperature 20 ± 15 deg.C
Humidity RH 65 ± 20%
- * If there may be any doubt on the test result ,
Measurement shall be made within the following limits:
Ambient Temperature 25 ± 5 deg.C
Humidity RH 75 ± 10%

Recommend IR Reflow Curve : GTX-IR-FILE001

Lead Free Solder : A = 217 deg.C , B = 245+/-5 deg.C
Time : C = 40 ~ 60 Sec.

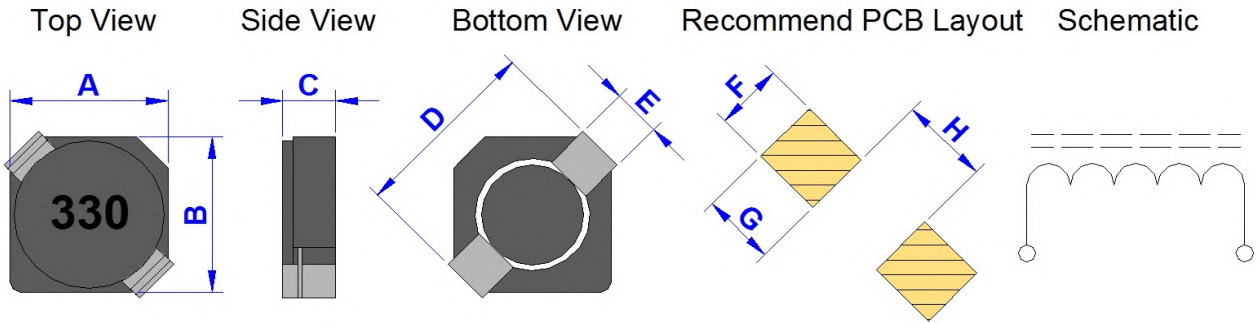


Notice : Iron Soldering , Solder < 30 Watt ,
Direct touch the terminal x 3 Sec. Max. @ 350 deg.C

Product Series : GSSQ	Brand : GOTREND
File Version : GSSQ-SERIES-V3R8	Editor : Teddy Sun
Established Date : 2009.02.13	Description : SMD Power Choke
Latest Edit Date : 2020.10.30	Product Type : <input checked="" type="checkbox"/> Standard <input type="checkbox"/> Customize

GSSQ310P-SERIES

Dimension [mm] :



A (Max.)	B (Max.)	C (Max.)	D (Ref.)	E (Ref.)	F (Ref.)	G (Ref.)	H (Ref.)
3.30	3.30	1.10	4.40	1.30	1.40	1.30	1.70

Electrical Characteristics :

Part No.	Inductance (uH)	Test Freq. (KHz)	DCR (mΩ) (Max.)	Rated Current (Amp) (Max.)
GSSQ310P-2R2□	2.2	100	144	0.73
GSSQ310P-3R3□	3.3	100	195	0.63
GSSQ310P-4R7□	4.7	100	288	0.54
GSSQ310P-6R8□	6.8	100	425	0.45
GSSQ310P-8R2□	8.2	100	475	0.41
GSSQ310P-100□	10	100	538	0.36
GSSQ310P-150□	15	100	750	0.31
GSSQ310P-220□	22	100	1560	0.26
GSSQ310P-330□	33	100	1680	0.21

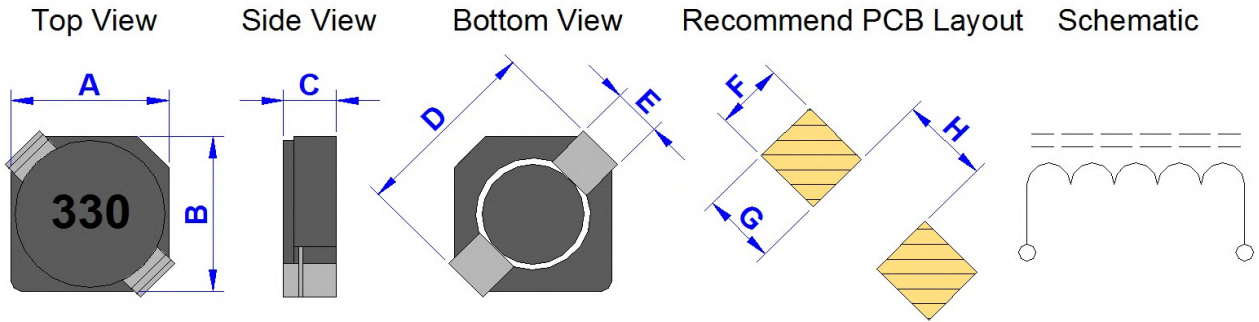
* Tolerance Code @M=+/-20% , N=+/-30%

* Rated Current : Saturated Current measured at the point of L drop approximately 35% and temperature rise approximately 40deg.C

Product Series : GSSQ	Brand : GOTREND
File Version : GSSQ-SERIES-V3R8	Editor : Teddy Sun
Established Date : 2009.02.13	Description : SMD Power Choke
Latest Edit Date : 2020.10.30	Product Type : <input checked="" type="checkbox"/> Standard <input type="checkbox"/> Customize

GSSQ312P-SERIES

Dimension [mm] :



A (Max.)	B (Max.)	C (Max.)	D (Ref.)	E (Ref.)	F (Ref.)	G (Ref.)	H (Ref.)
3.30	3.30	1.30	4.40	1.30	1.40	1.30	1.70

Electrical Characteristics :

Part No.	Inductance (uH)	Test Freq. (KHz)	DCR (mΩ) (Max.)	Rated Current (Amp) (Max.)
GSSQ312P-1R5□	1.5	100	68	0.90
GSSQ312P-2R2□	2.2	100	98	0.78
GSSQ312P-3R3□	3.3	100	123	0.60
GSSQ312P-4R7□	4.7	100	170	0.50
GSSQ312P-6R8□	6.8	100	260	0.44
GSSQ312P-100□	10	100	400	0.35
GSSQ312P-220□	22	100	748	0.22

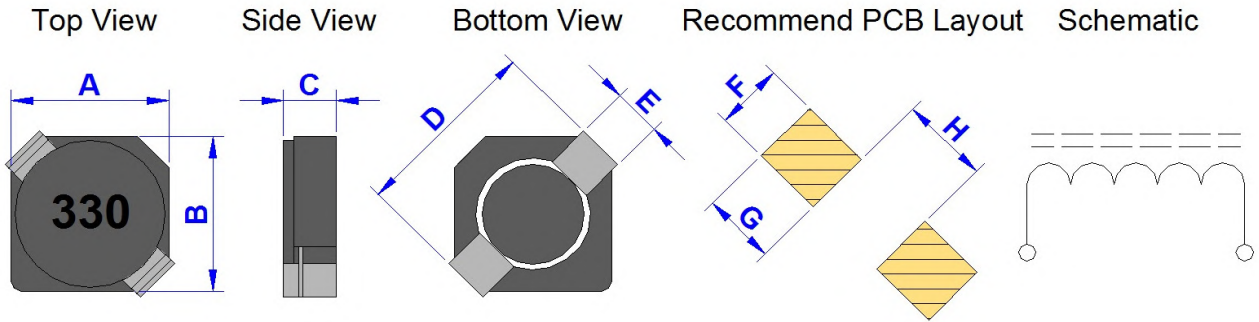
* Tolerance Code @M=+/-20% , N=+/-30%

* Rated Current : Saturated Current measured at the point of L drop approximately 35% and temperature rise approximately 40deg.C

Product Series : GSSQ	Brand : GOTREND
File Version : GSSQ-SERIES-V3R8	Editor : Teddy Sun
Established Date : 2009.02.13	Description : SMD Power Choke
Latest Edit Date : 2020.10.30	Product Type : <input checked="" type="checkbox"/> Standard <input type="checkbox"/> Customize

GSSQ315P-SERIES

Dimension [mm] :



A (Max.)	B (Max.)	C (Max.)	D (Ref.)	E (Ref.)	F (Ref.)	G (Ref.)	H (Ref.)
3.30	3.30	1.55	4.40	1.30	1.40	1.30	1.70

Electrical Characteristics :

Part No.	Inductance (uH)	Test Freq. (KHz)	DCR (mΩ) (Max.)	Rated Current (Amp) (Max.)
GSSQ315P-R47□	0.47	100	35	2.10
GSSQ315P-1R0□	1.0	100	58	1.95
GSSQ315P-1R5□	1.5	100	63	1.80
GSSQ315P-1R8□	1.8	100	75	1.65
GSSQ315P-2R2□	2.2	100	94	1.50
GSSQ315P-2R7□	2.7	100	106	1.35
GSSQ315P-3R3□	3.3	100	125	1.20
GSSQ315P-3R9□	3.9	100	138	1.10
GSSQ315P-4R7□	4.7	100	169	1.00
GSSQ315P-5R6□	5.6	100	188	0.95
GSSQ315P-6R8□	6.8	100	213	0.85
GSSQ315P-8R2□	8.2	100	281	0.80
GSSQ315P-100□	10	100	294	0.70
GSSQ315P-120□	12	100	394	0.62
GSSQ315P-220□	22	100	781	0.40
GSSQ315P-680□	68	100	2760	0.25
GSSQ315P-820□	82	100	3000	0.20
GSSQ315P-101□	100	100	5350	0.15

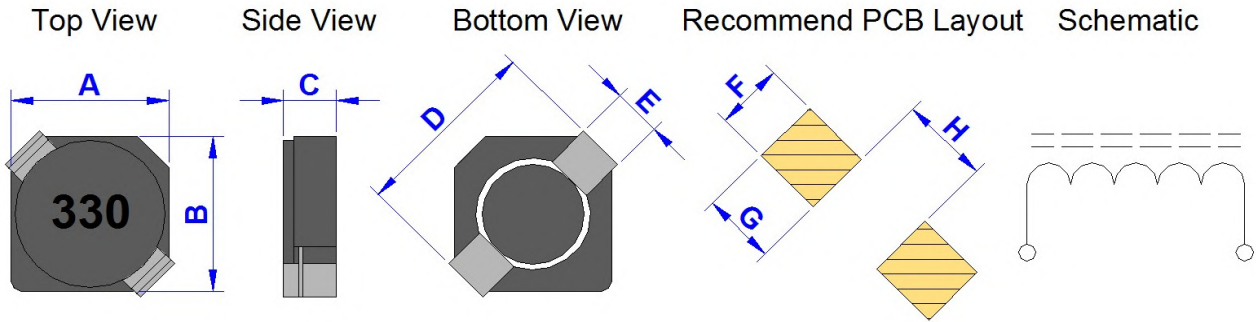
* Tolerance Code @M=+/-20% , N=+/-30%

* Rated Current : Saturated Current measured at the point of L drop approximately 35% and temperature rise approximately 40deg.C

Product Series : GSSQ	Brand : GOTREND
File Version : GSSQ-SERIES-V3R8	Editor : Teddy Sun
Established Date : 2009.02.13	Description : SMD Power Choke
Latest Edit Date : 2020.10.30	Product Type : <input checked="" type="checkbox"/> Standard <input type="checkbox"/> Customize

GSSQ320P-SERIES

Dimension [mm] :



A (Max.)	B (Max.)	C (Max.)	D (Ref.)	E (Ref.)	F (Ref.)	G (Ref.)	H (Ref.)
3.20	3.20	2.20	4.40	1.30	1.40	1.30	1.70

Electrical Characteristics :

Part No.	Inductance (uH)	Test Freq. (KHz)	DCR (mΩ) (Max.)	Rated Current (Amp) (Max.)
GSSQ320P-R20□	0.20	100	22	5.35
GSSQ320P-R36□	0.36	100	29	4.62
GSSQ320P-R56□	0.56	100	33	3.75
GSSQ320P-R82□	0.82	100	39	2.91
GSSQ320P-1R1□	1.10	100	43	2.50
GSSQ320P-1R7□	1.70	100	44	1.85
GSSQ320P-2R2□	2.20	100	60	1.60
GSSQ320P-3R3□	3.30	100	86	1.45
GSSQ320P-4R7□	4.70	100	140	1.20
GSSQ320P-6R3□	6.30	100	160	1.05
GSSQ320P-8R2□	8.20	100	245	0.85
GSSQ320P-150□	15.00	100	345	0.70
GSSQ320P-101□	100.00	100	2972	0.162

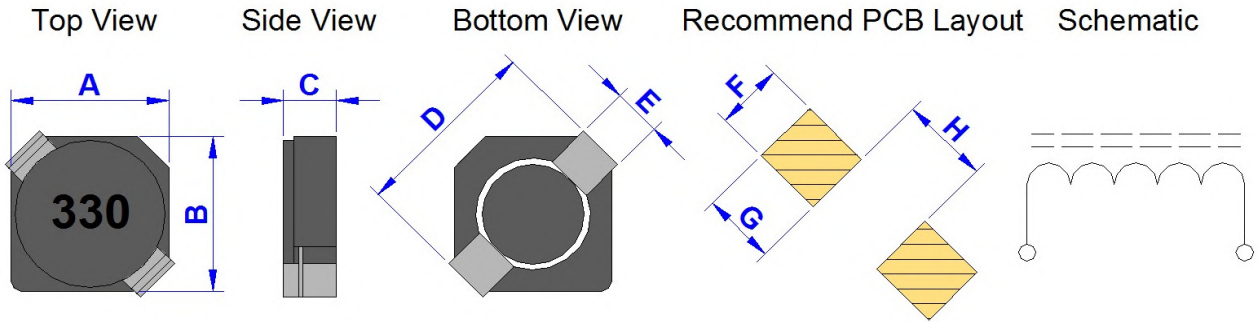
* Tolerance Code @M=+/-20% , N=+/-30%

* Rated Current : Saturated Current measured at the point of L drop approximately 35% and temperature rise approximately 40deg.C

Product Series : GSSQ	Brand : GOTREND
File Version : GSSQ-SERIES-V3R8	Editor : Teddy Sun
Established Date : 2009.02.13	Description : SMD Power Choke
Latest Edit Date : 2020.10.30	Product Type : <input checked="" type="checkbox"/> Standard <input type="checkbox"/> Customize

GSSQ320PLD-SERIES

Dimension [mm] :



A (Max.)	B (Max.)	C (Max.)	D (Ref.)	E (Ref.)	F (Ref.)	G (Ref.)	H (Ref.)
3.20	3.20	2.20	4.40	1.30	1.40	1.30	1.70

Electrical Characteristics :

Part No.	Inductance (uH)	Test Freq. (KHz)	DCR (mΩ) (Max.)	Rated Current (Amp) (Max.)
GSSQ320PLD-2R2□	2.2	100	41	0.85
GSSQ320PLD-3R3□	3.3	100	54	0.75
GSSQ320PLD-4R7□	4.7	100	78	0.63
GSSQ320PLD-6R8□	6.8	100	106	0.52
GSSQ320PLD-100□	10	100	180	0.43
GSSQ320PLD-150□	15	100	220	0.35
GSSQ320PLD-220□	22	100	320	0.30
GSSQ320PLD-330□	33	100	460	0.24
GSSQ320PLD-470□	47	100	660	0.20

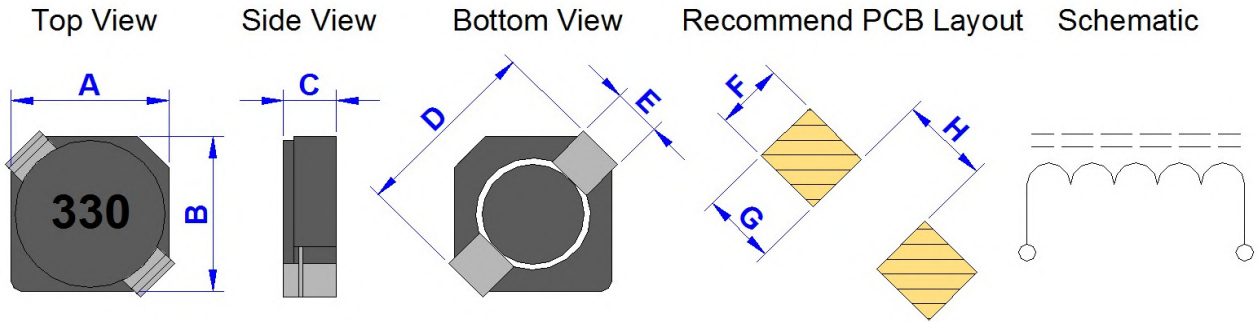
* Tolerance Code @M=+/-20% , N=+/-30%

* Rated Current : Saturated Current measured at the point of L drop approximately 35% and temperature rise approximately 40deg.C

Product Series : GSSQ	Brand : GOTREND
File Version : GSSQ-SERIES-V3R8	Editor : Teddy Sun
Established Date : 2009.02.13	Description : SMD Power Choke
Latest Edit Date : 2020.10.30	Product Type : <input checked="" type="checkbox"/> Standard <input type="checkbox"/> Customize

GSSQ418P-SERIES

Dimension [mm] :



A (Max.)	B (Max.)	C (Max.)	D (Ref.)	E (Ref.)	F (Ref.)	G (Ref.)	H (Ref.)
4.20	4.20	1.80	5.50	1.50	1.50	1.40	2.40

Electrical Characteristics :

Part No.	Inductance (uH)	Test Freq. (KHz)	DCR (mΩ) (Max.)	Rated Current (Amp) (Max.)
GSSQ418P-1R0□	1.0	100	43.2	1.68
GSSQ418P-1R5□	1.5	100	52	1.55
GSSQ418P-2R2□	2.2	100	72	1.20
GSSQ418P-3R3□	3.3	100	85	1.10
GSSQ418P-4R7□	4.7	100	105	0.90
GSSQ418P-6R8□	6.8	100	170	0.73
GSSQ418P-100□	10	100	210	0.55
GSSQ418P-150□	15	100	295	0.45
GSSQ418P-220□	22	100	430	0.40
GSSQ418P-330□	33	100	660	0.32
GSSQ418P-470□	47	100	1000	0.26

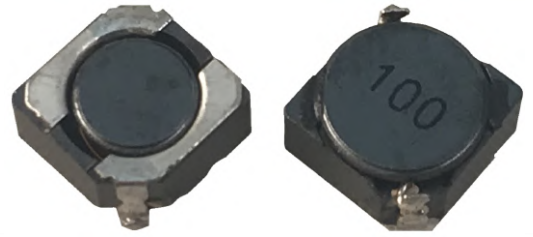
* Tolerance Code @M=+/-20% , N=+/-30%

* Rated Current : Saturated Current measured at the point of L drop approximately 35% and temperature rise approximately 40deg.C

Product Series : GSSR	Brand : GOTREND
File Version : GSSR-SERIES-V4R0	Editor : Teddy Sun
Established Date : 2009.07.14	Description : SMD POWER CHOKE CORE WITH SHIELDING
Latest Edit Date : 2020.10.30	Product Type : <input checked="" type="checkbox"/> Standard <input type="checkbox"/> Customize

Features & Application :

- * Shielding good in EMI
- * Fit for power line & signal line circuit
- * To help you go pass the CE/FCC standard
- * Mobils Device / Handheld Device / LowProfile Device / Panel...



(Picture for reference only)

Part No. Example :

PN	:	GSSR	53	P	-	100	N
-----		-----	-----	---		----	----
ID	:	1	2	3		4	5
1	:	GOTREND Type : GSSR					
2	:	Dimension Code 5.7x5.7x3.0					
3	:	P = Pb free<1000ppm					
4	:	[L] Value : Inductance 100 = 10 uH					
5	:	Tolerance : N = 30% , M = 20%					

Basic Information :

Made in	China
Pin Foot	SMD
Shielding	Yes
J-STD-020	MSL Level 1
RoHS	Compliant
REACH	Compliant
Halogen	Free

Operating & Storage Condition :

- * Operating Temp -40 ~ +125 deg.C (Including self - temperature rise)
- * Storage Temp 1. -10 ~ +45 deg.C , 50 ~ 60% RH (Product with taping)
2. -40 ~ +125 deg.C (On board)
- * Storage Life Time 12 Month (Less than 40 deg.C and 60% RH)

Attention & Caution :

- * Keep out of Splashing water or salt water
- * Avoid Toxic Gas (Hydrogen sulfide, Sulfurous acid, Chlorine, Ammonia)
- * Avoid Vibrations or shocks which exceed the specified condition
- * Avoid Dew condense
- * Avoid Layout near the edge of PCB
- * Avoid Over flexure after SMT mounting & PCBA



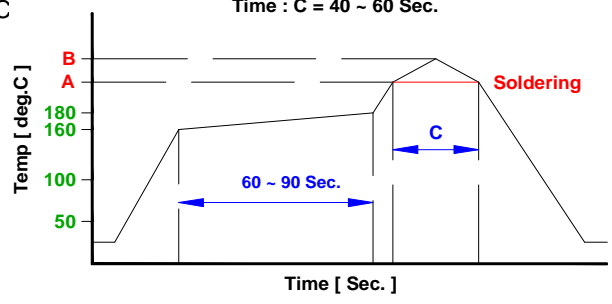
- * Pin foot or SMD pad solderability: Pb free type is best within 6 months after delivery
- * Humidity sensitive , IPC/JEDEC J-STD-020 MSL if over Level 1, recommend bake 30mins@150 degree before PCBA
- * Caution for human life relative applications : PLS contact & consult with GOTREND team in design stage.

Test Condition :

- * Equipment HP4284A , HP42841A - L , Q , DCR , IDC
HP8753D Network analyzer - SRF
- * Standard Atmosphere Conditions:
Ambient Temperature 20 ± 15 deg.C
Humidity RH 65 ± 20%
- * If there may be any doubt on the test result ,
Measurement shall be made within the following limits:
Ambient Temperature 25 ± 5 deg.C
Humidity RH 75 ± 10%

Recommend IR Reflow Curve : GTX-IR-FILE001

Lead Free Solder : A = 217 deg.C , B = 245+/-5 deg.C
Time : C = 40 ~ 60 Sec.

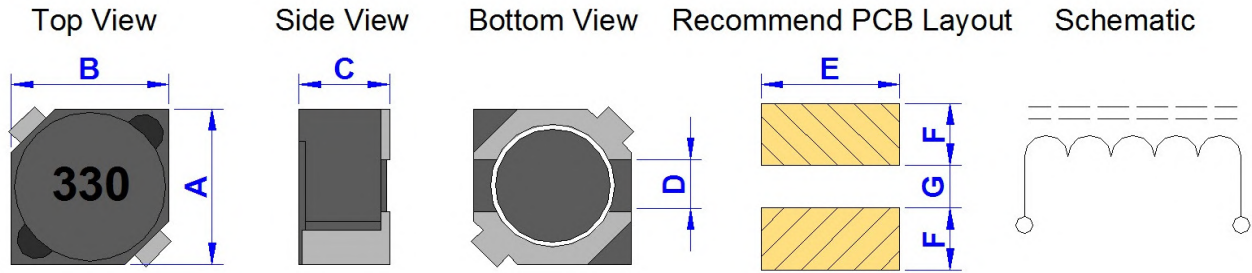


**Notice : Iron Soldering , Solder < 30 Watt ,
Direct touch the terminal x 3 Sec. Max. @ 350 deg.C**

Product Series : GSSR	Brand : GOTREND
File Version : GSSR-SERIES-V4R0	Editor : Teddy Sun
Established Date : 2009.07.14	Description : SMD POWER CHOKE CORE WITH SHIELDING
Latest Edit Date : 2020.10.30	Product Type : <input checked="" type="checkbox"/> Standard <input type="checkbox"/> Customize

GSSR32P-SERIES

Dimension [mm] :



Size	A(+/-0.3)	B(+/-0.3)	C(Max.)	D(+/-0.8)	E(Ref.)	F(Ref.)	G(Ref.)
32	3.70	3.70	1.80	2.00	4.10	1.25	1.60

Electrical Characteristics :

Part No.	Inductance (uH)	DCR (Ω) (Max.)	IDC (Amp) (Max.)
GSSR32P-1R0 <input type="checkbox"/>	1.0	0.045	1.60
GSSR32P-1R5 <input type="checkbox"/>	1.5	0.05	1.55
GSSR32P-2R2 <input type="checkbox"/>	2.2	0.07	1.20
GSSR32P-3R3 <input type="checkbox"/>	3.3	0.08	1.10
GSSR32P-4R7 <input type="checkbox"/>	4.7	0.11	0.90
GSSR32P-6R8 <input type="checkbox"/>	6.8	0.17	0.73
GSSR32P-100 <input type="checkbox"/>	10.0	0.21	0.55
GSSR32P-150 <input type="checkbox"/>	15.0	0.29	0.45
GSSR32P-220 <input type="checkbox"/>	22.0	0.43	0.40
GSSR32P-330 <input type="checkbox"/>	33.0	0.68	0.32
GSSR32P-470 <input type="checkbox"/>	47.0	1.00	0.26
GSSR32P-101 <input type="checkbox"/>	100.0	1.75	0.15

* Measuring Freq.(L) : @100KHz / 0.1V

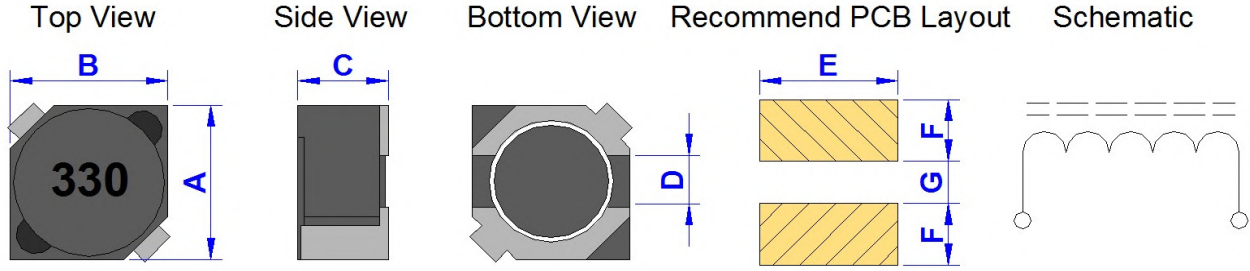
* Tolerance Code : M=± 20% , N=± 30%

* IDC : Base on L drop 35% max. & Temp. rise up 40 deg.C max.

Product Series : GSSR	Brand : GOTREND
File Version : GSSR-SERIES-V4R0	Editor : Teddy Sun
Established Date : 2009.07.14	Description : SMD POWER CHOKE CORE WITH SHIELDING
Latest Edit Date : 2020.10.30	Product Type : <input checked="" type="checkbox"/> Standard <input type="checkbox"/> Customize

GSSR42P-SERIES

Dimension [mm] :



Size	A(+/-0.3)	B(+/-0.3)	C(Max.)	D(+/-0.8)	E(Ref.)	F(Ref.)	G(Ref.)
42	4.70	4.70	2.00	2.00	5.10	1.75	1.60

Electrical Characteristics :

Part No.	Inductance (uH)	DCR (Ω) (Max.)	IDC (Amp) (Max.)
GSSR42P-1R0 <input type="checkbox"/>	1.0	0.045	1.72
GSSR42P-2R2 <input type="checkbox"/>	2.2	0.075	1.32
GSSR42P-2R7 <input type="checkbox"/>	2.7	0.105	1.28
GSSR42P-3R3 <input type="checkbox"/>	3.3	0.110	1.04
GSSR42P-3R9 <input type="checkbox"/>	3.9	0.155	0.88
GSSR42P-4R7 <input type="checkbox"/>	4.7	0.162	0.84
GSSR42P-5R6 <input type="checkbox"/>	5.6	0.170	0.80
GSSR42P-6R8 <input type="checkbox"/>	6.8	0.200	0.76
GSSR42P-8R2 <input type="checkbox"/>	8.2	0.245	0.68
GSSR42P-100 <input type="checkbox"/>	10.0	0.200	0.61
GSSR42P-120 <input type="checkbox"/>	12.0	0.210	0.56
GSSR42P-150 <input type="checkbox"/>	15.0	0.240	0.50
GSSR42P-180 <input type="checkbox"/>	18.0	0.338	0.48
GSSR42P-220 <input type="checkbox"/>	22.0	0.397	0.41
GSSR42P-270 <input type="checkbox"/>	27.0	0.441	0.35
GSSR42P-330 <input type="checkbox"/>	33.0	0.694	0.32
GSSR42P-390 <input type="checkbox"/>	39.0	0.709	0.30
GSSR42P-470 <input type="checkbox"/>	47.0	0.922	0.28
GSSR42P-560 <input type="checkbox"/>	56.0	1.080	0.26
GSSR42P-680 <input type="checkbox"/>	68.0	1.300	0.24
GSSR42P-820 <input type="checkbox"/>	82.0	1.550	0.22
GSSR42P-101 <input type="checkbox"/>	100.0	1.730	0.20
GSSR42P-121 <input type="checkbox"/>	120.0	2.390	0.18
GSSR42P-151 <input type="checkbox"/>	150.0	2.670	0.15
GSSR42P-181 <input type="checkbox"/>	180.0	4.000	0.14

* Measuring Freq.(L) : @100KHz / 0.1V

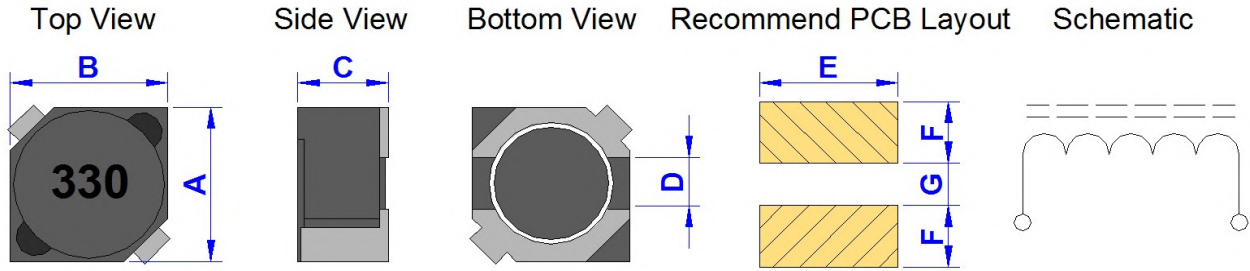
* Tolerance Code : M=± 20% , N=± 30%

* IDC : Base on L drop 35% max. & Temp. rise up 40 deg.C max.

Product Series : GSSR	Brand : GOTREND
File Version : GSSR-SERIES-V4R0	Editor : Teddy Sun
Established Date : 2009.07.14	Description : SMD POWER CHOKE CORE WITH SHIELDING
Latest Edit Date : 2020.10.30	Product Type : <input checked="" type="checkbox"/> Standard <input type="checkbox"/> Customize

GSSR425P-SERIES

Dimension [mm] :



Size	A(+/-0.3)	B(+/-0.3)	C(Max.)	D(+/-0.8)	E(Ref.)	F(Ref.)	G(Ref.)
425	4.70	4.70	2.50	2.00	5.10	1.75	1.60

Electrical Characteristics :

Part No.	Inductance (uH)	DCR (Ω) (Max.)	IDC (Amp) (Max.)
GSSR425P-1R0 <input type="checkbox"/>	1.0	0.038	3.20
GSSR425P-1R5 <input type="checkbox"/>	1.5	0.045	2.70
GSSR425P-1R8 <input type="checkbox"/>	1.8	0.050	2.30
GSSR425P-2R2 <input type="checkbox"/>	2.2	0.053	2.10
GSSR425P-2R7 <input type="checkbox"/>	2.7	0.056	2.00
GSSR425P-3R3 <input type="checkbox"/>	3.3	0.063	1.80
GSSR425P-3R9 <input type="checkbox"/>	3.9	0.071	1.60
GSSR425P-4R7 <input type="checkbox"/>	4.7	0.077	1.50
GSSR425P-5R6 <input type="checkbox"/>	5.6	0.083	1.40
GSSR425P-6R8 <input type="checkbox"/>	6.8	0.094	1.10
GSSR425P-8R2 <input type="checkbox"/>	8.2	0.105	1.00
GSSR425P-100 <input type="checkbox"/>	10.0	0.112	0.95
GSSR425P-120 <input type="checkbox"/>	12.0	0.162	0.80
GSSR425P-150 <input type="checkbox"/>	15.0	0.176	0.80
GSSR425P-180 <input type="checkbox"/>	18.0	0.192	0.72
GSSR425P-220 <input type="checkbox"/>	22.0	0.224	0.70
GSSR425P-270 <input type="checkbox"/>	27.0	0.261	0.60
GSSR425P-330 <input type="checkbox"/>	33.0	0.372	0.58
GSSR425P-390 <input type="checkbox"/>	39.0	0.394	0.52
GSSR425P-470 <input type="checkbox"/>	47.0	0.457	0.47
GSSR425P-560 <input type="checkbox"/>	56.0	0.514	0.45
GSSR425P-680 <input type="checkbox"/>	68.0	0.686	0.40
GSSR425P-820 <input type="checkbox"/>	82.0	0.802	0.35
GSSR425P-101 <input type="checkbox"/>	100.0	1.162	0.32
GSSR425P-121 <input type="checkbox"/>	120.0	1.298	0.30
GSSR425P-151 <input type="checkbox"/>	150.0	1.423	0.27
GSSR425P-471 <input type="checkbox"/>	470.0	5.000	0.15

* Measuring Freq.(L) : @100KHz / 0.1V

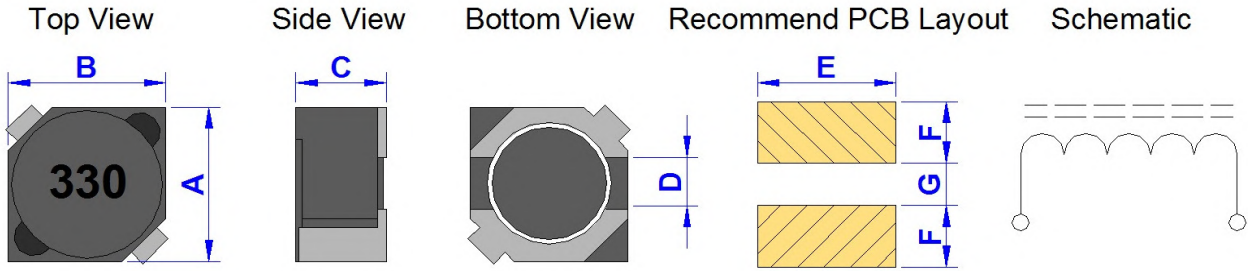
* Tolerance Code : M=± 20% , N=± 30%

* IDC : Base on L drop 35% max. & Temp. rise up 40 deg.C max.

Product Series : GSSR	Brand : GOTREND
File Version : GSSR-SERIES-V4R0	Editor : Teddy Sun
Established Date : 2009.07.14	Description : SMD POWER CHOKE CORE WITH SHIELDING
Latest Edit Date : 2020.10.30	Product Type : <input checked="" type="checkbox"/> Standard <input type="checkbox"/> Customize

GSSR43P-SERIES

Dimension [mm] :



Size	A(+/-0.3)	B(+/-0.3)	C(Max.)	D(+/-0.8)	E(Ref.)	F(Ref.)	G(Ref.)
43	4.70	4.70	3.00	2.00	5.10	1.75	1.60

Electrical Characteristics :

Part No.	Inductance (uH)	DCR (Ω) (Max.)	IDC (Amp) (Max.)
GSSR43P-1R2 <input type="checkbox"/>	1.2	0.024	2.56
GSSR43P-1R5 <input type="checkbox"/>	1.5	0.028	2.20
GSSR43P-2R2 <input type="checkbox"/>	2.2	0.031	2.04
GSSR43P-2R7 <input type="checkbox"/>	2.7	0.043	1.60
GSSR43P-3R3 <input type="checkbox"/>	3.3	0.049	1.57
GSSR43P-3R9 <input type="checkbox"/>	3.9	0.065	1.44
GSSR43P-4R7 <input type="checkbox"/>	4.7	0.072	1.32
GSSR43P-5R6 <input type="checkbox"/>	5.6	0.101	1.17
GSSR43P-6R8 <input type="checkbox"/>	6.8	0.109	1.12
GSSR43P-8R2 <input type="checkbox"/>	8.2	0.118	1.04
GSSR43P-100 <input type="checkbox"/>	10.0	0.128	1.00
GSSR43P-120 <input type="checkbox"/>	12.0	0.132	0.84
GSSR43P-150 <input type="checkbox"/>	15.0	0.149	0.76
GSSR43P-180 <input type="checkbox"/>	18.0	0.166	0.72
GSSR43P-220 <input type="checkbox"/>	22.0	0.235	0.70
GSSR43P-270 <input type="checkbox"/>	27.0	0.261	0.58
GSSR43P-330 <input type="checkbox"/>	33.0	0.378	0.56
GSSR43P-390 <input type="checkbox"/>	39.0	0.384	0.50
GSSR43P-470 <input type="checkbox"/>	47.0	0.587	0.48
GSSR43P-560 <input type="checkbox"/>	56.0	0.624	0.41
GSSR43P-680 <input type="checkbox"/>	68.0	0.699	0.35
GSSR43P-820 <input type="checkbox"/>	82.0	0.915	0.32
GSSR43P-101 <input type="checkbox"/>	100.0	1.020	0.29
GSSR43P-121 <input type="checkbox"/>	120.0	1.270	0.27
GSSR43P-151 <input type="checkbox"/>	150.0	1.350	0.24
GSSR43P-181 <input type="checkbox"/>	180.0	1.540	0.22

* Measuring Freq.(L) : @100KHz / 0.1V

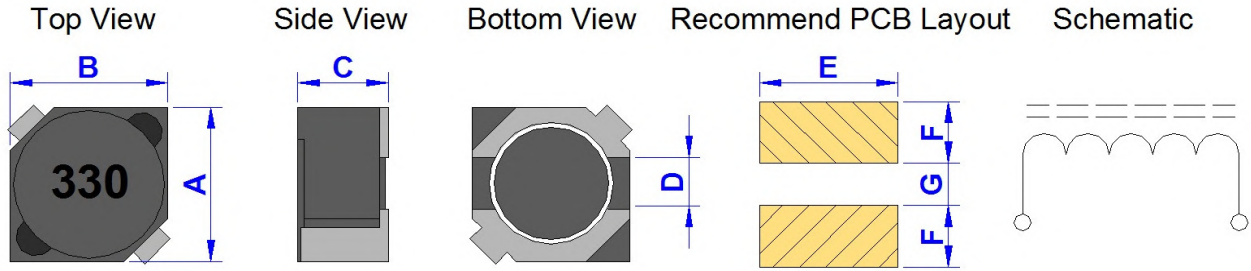
* Tolerance Code : M=± 20% , N=± 30%

* IDC : Base on L drop 35% max. & Temp. rise up 40 deg.C max.

Product Series : GSSR	Brand : GOTREND
File Version : GSSR-SERIES-V4R0	Editor : Teddy Sun
Established Date : 2009.07.14	Description : SMD POWER CHOKE CORE WITH SHIELDING
Latest Edit Date : 2020.10.30	Product Type : <input checked="" type="checkbox"/> Standard <input type="checkbox"/> Customize

GSSR43P-SERIES

Dimension [mm] :



Size	A(+/-0.3)	B(+/-0.3)	C(Max.)	D(+/-0.8)	E(Ref.)	F(Ref.)	G(Ref.)
43	4.70	4.70	3.00	2.00	5.10	1.75	1.60

Electrical Characteristics :

Part No.	Inductance (uH)	DCR (Ω) (Max.)	IDC (Amp) (Max.)
GSSR43P-221 <input type="checkbox"/>	220.0	1.720	0.20
GSSR43P-271 <input type="checkbox"/>	270.0	1.950	0.16
GSSR43P-331 <input type="checkbox"/>	330.0	2.660	0.14
GSSR43P-391 <input type="checkbox"/>	390.0	2.830	0.13

* Measuring Freq.(L) : @100KHz / 0.1V

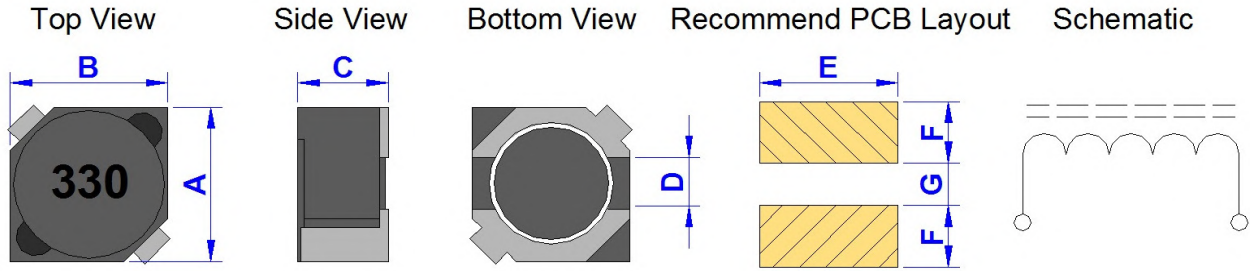
* Tolerance Code : M=± 20% , N=± 30%

* IDC : Base on L drop 35% max. & Temp. rise up 40 deg.C max.

Product Series : GSSR	Brand : GOTREND
File Version : GSSR-SERIES-V4R0	Editor : Teddy Sun
Established Date : 2009.07.14	Description : SMD POWER CHOKE CORE WITH SHIELDING
Latest Edit Date : 2020.10.30	Product Type : <input checked="" type="checkbox"/> Standard <input type="checkbox"/> Customize

GSSR52P-SERIES

Dimension [mm] :



Size	A(+/-0.3)	B(+/-0.3)	C(Max.)	D(+/-0.8)	E(Ref.)	F(Ref.)	G(Ref.)
52	5.70	5.70	2.00	2.00	6.30	2.35	1.60

Electrical Characteristics :

Part No.	Inductance (uH)	DCR (Ω) (Max.)	IDC (Amp) (Max.)
GSSR52P-2R2 <input type="checkbox"/>	2.2	0.034	2.60
GSSR52P-3R3 <input type="checkbox"/>	3.3	0.047	2.07
GSSR52P-4R1 <input type="checkbox"/>	4.1	0.057	1.95
GSSR52P-4R7 <input type="checkbox"/>	4.7	0.060	1.90
GSSR52P-5R4 <input type="checkbox"/>	5.4	0.076	1.60
GSSR52P-6R2 <input type="checkbox"/>	6.2	0.096	1.40
GSSR52P-6R8 <input type="checkbox"/>	6.8	0.096	1.30
GSSR52P-8R9 <input type="checkbox"/>	8.9	0.116	1.25
GSSR52P-100 <input type="checkbox"/>	10.0	0.124	1.20
GSSR52P-120 <input type="checkbox"/>	12.0	0.153	1.10
GSSR52P-150 <input type="checkbox"/>	15.0	0.196	0.97
GSSR52P-180 <input type="checkbox"/>	18.0	0.210	0.85
GSSR52P-220 <input type="checkbox"/>	22.0	0.290	0.80
GSSR52P-270 <input type="checkbox"/>	27.0	0.330	0.75
GSSR52P-330 <input type="checkbox"/>	33.0	0.386	0.65
GSSR52P-390 <input type="checkbox"/>	39.0	0.520	0.57
GSSR52P-470 <input type="checkbox"/>	47.0	0.595	0.54
GSSR52P-560 <input type="checkbox"/>	56.0	0.665	0.50
GSSR52P-680 <input type="checkbox"/>	68.0	0.840	0.43
GSSR52P-820 <input type="checkbox"/>	82.0	0.978	0.41
GSSR52P-101 <input type="checkbox"/>	100.0	1.200	0.36
GSSR52P-121 <input type="checkbox"/>	120.0	1.500	0.33
GSSR52P-151 <input type="checkbox"/>	150.0	1.710	0.31
GSSR52P-181 <input type="checkbox"/>	180.0	2.240	0.28
GSSR52P-221 <input type="checkbox"/>	220.0	2.440	0.23
GSSR52P-271 <input type="checkbox"/>	270.0	3.380	0.21
GSSR52P-331 <input type="checkbox"/>	330.0	4.340	0.18

* Measuring Freq.(L) : @10KHz / 0.1V

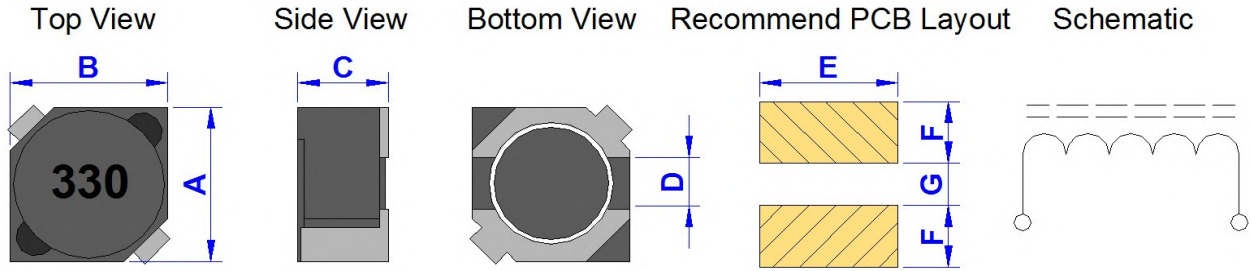
* Tolerance Code : M=± 20% , N=± 30%

* IDC : Base on L drop 35% max. & Temp. rise up 40 deg.C max.

Product Series : GSSR	Brand : GOTREND
File Version : GSSR-SERIES-V4R0	Editor : Teddy Sun
Established Date : 2009.07.14	Description : SMD POWER CHOKE CORE WITH SHIELDING
Latest Edit Date : 2020.10.30	Product Type : <input checked="" type="checkbox"/> Standard <input type="checkbox"/> Customize

GSSR53P-SERIES

Dimension [mm] :



Size	A(+/-0.3)	B(+/-0.3)	C(Max.)	D(+/-0.8)	E(Ref.)	F(Ref.)	G(Ref.)
53	5.70	5.70	3.00	2.00	6.30	2.35	1.60

Electrical Characteristics :

Part No.	Inductance (uH)	DCR (Ω) (Max.)	IDC (Amp) (Max.)
GSSR53P-2R2 <input type="checkbox"/>	2.2	0.018	2.60
GSSR53P-2R5 <input type="checkbox"/>	2.5	0.018	2.60
GSSR53P-3R0 <input type="checkbox"/>	3.0	0.024	2.40
GSSR53P-3R3 <input type="checkbox"/>	3.3	0.030	2.20
GSSR53P-4R7 <input type="checkbox"/>	4.7	0.036	2.10
GSSR53P-5R6 <input type="checkbox"/>	5.6	0.040	1.90
GSSR53P-6R2 <input type="checkbox"/>	6.2	0.045	1.80
GSSR53P-8R2 <input type="checkbox"/>	8.2	0.053	1.60
GSSR53P-100 <input type="checkbox"/>	10.0	0.065	1.30
GSSR53P-120 <input type="checkbox"/>	12.0	0.076	1.20
GSSR53P-150 <input type="checkbox"/>	15.0	0.103	1.10
GSSR53P-180 <input type="checkbox"/>	18.0	0.110	1.00
GSSR53P-220 <input type="checkbox"/>	22.0	0.122	0.90
GSSR53P-270 <input type="checkbox"/>	27.0	0.175	0.85
GSSR53P-330 <input type="checkbox"/>	33.0	0.189	0.75
GSSR53P-390 <input type="checkbox"/>	39.0	0.212	0.70
GSSR53P-470 <input type="checkbox"/>	47.0	0.250	0.62
GSSR53P-560 <input type="checkbox"/>	56.0	0.305	0.58
GSSR53P-680 <input type="checkbox"/>	68.0	0.355	0.52
GSSR53P-820 <input type="checkbox"/>	82.0	0.463	0.46
GSSR53P-101 <input type="checkbox"/>	100.0	0.520	0.42
GSSR53P-121 <input type="checkbox"/>	120.0	0.560	0.40
GSSR53P-151 <input type="checkbox"/>	150.0	0.680	0.35
GSSR53P-181 <input type="checkbox"/>	180.0	0.930	0.32
GSSR53P-221 <input type="checkbox"/>	220.0	1.150	0.30
GSSR53P-271 <input type="checkbox"/>	270.0	1.560	0.27

* Measuring Freq.(L) : @10KHz / 0.1V

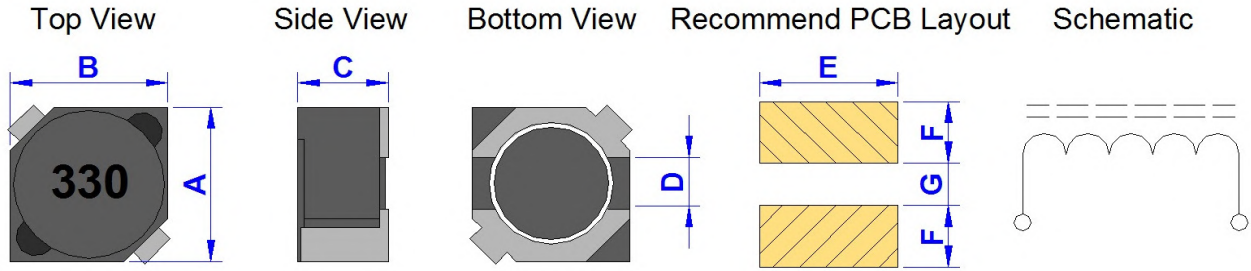
* Tolerance Code : M=± 20% , N=± 30%

* IDC : Base on L drop 35% max. & Temp. rise up 40 deg.C max.

Product Series : GSSR	Brand : GOTREND
File Version : GSSR-SERIES-V4R0	Editor : Teddy Sun
Established Date : 2009.07.14	Description : SMD POWER CHOKE CORE WITH SHIELDING
Latest Edit Date : 2020.10.30	Product Type : <input checked="" type="checkbox"/> Standard <input type="checkbox"/> Customize

GSSR53P-SERIES

Dimension [mm] :



Size	A(+/-0.3)	B(+/-0.3)	C(Max.)	D(+/-0.8)	E(Ref.)	F(Ref.)	G(Ref.)
53	5.70	5.70	3.00	2.00	6.30	2.35	1.60

Electrical Characteristics :

Part No.	Inductance (uH)	DCR (Ω) (Max.)	IDC (Amp) (Max.)
GSSR53P-331 <input type="checkbox"/>	330.0	1.980	0.25
GSSR53P-391 <input type="checkbox"/>	390.0	2.500	0.22
GSSR53P-471 <input type="checkbox"/>	470.0	2.700	0.20
GSSR53P-561 <input type="checkbox"/>	560.0	3.120	0.18
GSSR53P-681 <input type="checkbox"/>	680.0	4.150	0.16

* Measuring Freq.(L) : @10KHz / 0.1V

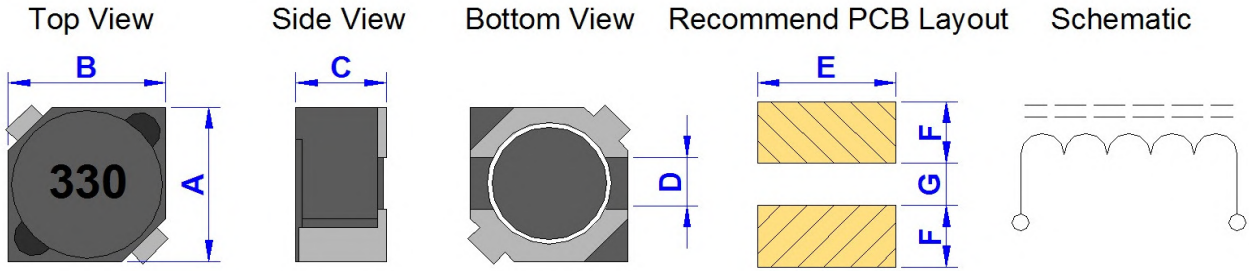
* Tolerance Code : M=± 20% , N=± 30%

* IDC : Base on L drop 35% max. & Temp. rise up 40 deg.C max.

Product Series : GSSR	Brand : GOTREND
File Version : GSSR-SERIES-V4R0	Editor : Teddy Sun
Established Date : 2009.07.14	Description : SMD POWER CHOKE CORE WITH SHIELDING
Latest Edit Date : 2020.10.30	Product Type : <input checked="" type="checkbox"/> Standard <input type="checkbox"/> Customize

GSSR62P-SERIES

Dimension [mm] :



Size	A(+/-0.3)	B(+/-0.3)	C(Max.)	D(+/-0.8)	E(Ref.)	F(Ref.)	G(Ref.)
62	6.70	6.70	2.00	2.00	7.30	2.85	1.60

Electrical Characteristics :

Part No.	Inductance (uH)	DCR (Ω) (Max.)	IDC (Amp) (Max.)
GSSR62P-2R2 <input type="checkbox"/>	2.2	0.043	2.60
GSSR62P-3R3 <input type="checkbox"/>	3.3	0.056	2.40
GSSR62P-4R7 <input type="checkbox"/>	4.7	0.073	2.10
GSSR62P-6R8 <input type="checkbox"/>	6.8	0.099	1.80
GSSR62P-100 <input type="checkbox"/>	10.0	0.156	1.50
GSSR62P-150 <input type="checkbox"/>	15.0	0.244	1.20
GSSR62P-220 <input type="checkbox"/>	22.0	0.388	0.95
GSSR62P-330 <input type="checkbox"/>	33.0	0.531	0.82
GSSR62P-470 <input type="checkbox"/>	47.0	0.775	0.65

* Measuring Freq.(L) : @100KHz / 0.1V

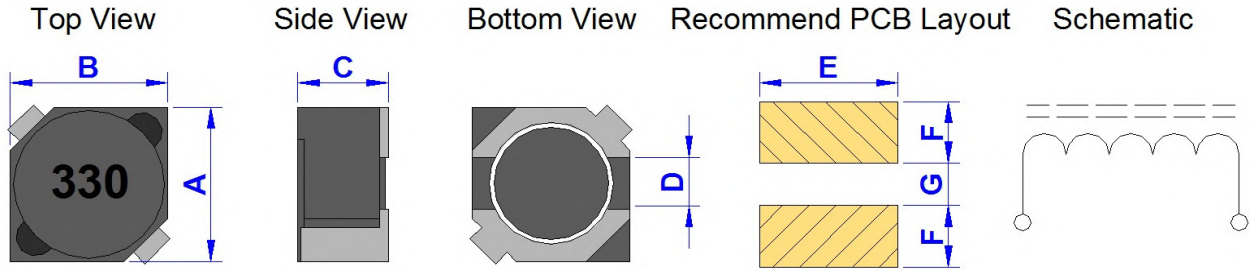
* Tolerance Code : M=± 20% , N=± 30%

* IDC : Base on L drop 35% max. & Temp. rise up 40 deg.C max.

Product Series : GSSR	Brand : GOTREND
File Version : GSSR-SERIES-V4R0	Editor : Teddy Sun
Established Date : 2009.07.14	Description : SMD POWER CHOKE CORE WITH SHIELDING
Latest Edit Date : 2020.10.30	Product Type : <input checked="" type="checkbox"/> Standard <input type="checkbox"/> Customize

GSSR63P-SERIES

Dimension [mm] :



Size	A(+/-0.3)	B(+/-0.3)	C(Max.)	D(+/-0.8)	E(Ref.)	F(Ref.)	G(Ref.)
63	6.70	6.70	3.00	2.00	7.30	2.85	1.60

Electrical Characteristics :

Part No.	Inductance (uH)	DCR (Ω) (Max.)	IDC (Amp) (Max.)
GSSR63P-1R0 <input type="checkbox"/>	1.0	0.016	4.10
GSSR63P-1R5 <input type="checkbox"/>	1.5	0.018	3.50
GSSR63P-2R2 <input type="checkbox"/>	2.2	0.021	3.00
GSSR63P-3R0 <input type="checkbox"/>	3.0	0.024	3.00
GSSR63P-3R3 <input type="checkbox"/>	3.3	0.026	2.70
GSSR63P-3R9 <input type="checkbox"/>	3.9	0.027	2.60
GSSR63P-4R7 <input type="checkbox"/>	4.7	0.032	2.50
GSSR63P-5R0 <input type="checkbox"/>	5.0	0.033	2.40
GSSR63P-6R0 <input type="checkbox"/>	6.0	0.035	2.25
GSSR63P-6R8 <input type="checkbox"/>	6.8	0.040	2.10
GSSR63P-7R3 <input type="checkbox"/>	7.3	0.054	2.10
GSSR63P-8R6 <input type="checkbox"/>	8.6	0.058	1.85
GSSR63P-100 <input type="checkbox"/>	10.0	0.065	1.70
GSSR63P-120 <input type="checkbox"/>	12.0	0.070	1.55
GSSR63P-150 <input type="checkbox"/>	15.0	0.084	1.40
GSSR63P-180 <input type="checkbox"/>	18.0	0.095	1.32
GSSR63P-220 <input type="checkbox"/>	22.0	0.128	1.20
GSSR63P-270 <input type="checkbox"/>	27.0	0.142	1.05
GSSR63P-330 <input type="checkbox"/>	33.0	0.165	0.97
GSSR63P-390 <input type="checkbox"/>	39.0	0.210	0.86
GSSR63P-470 <input type="checkbox"/>	47.0	0.238	0.80
GSSR63P-560 <input type="checkbox"/>	56.0	0.277	0.73
GSSR63P-680 <input type="checkbox"/>	68.0	0.304	0.65
GSSR63P-820 <input type="checkbox"/>	82.0	0.390	0.60
GSSR63P-101 <input type="checkbox"/>	100.0	0.535	0.54
GSSR63P-121 <input type="checkbox"/>	120.0	0.750	0.51

* Measuring Freq.(L) : @10KHz / 0.1V

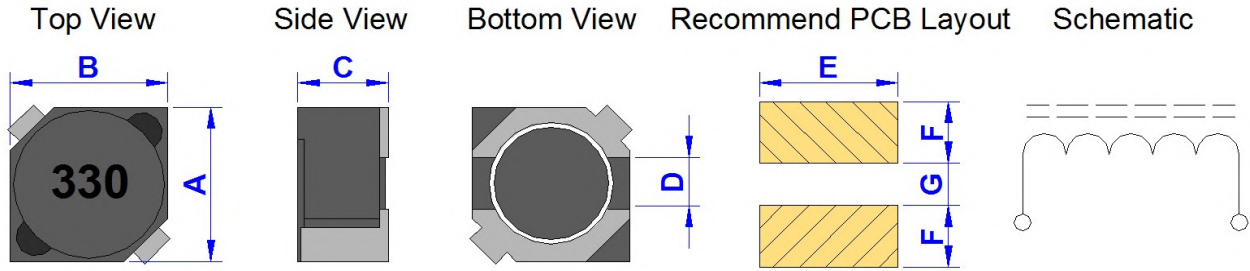
* Tolerance Code : M=± 20% , N=± 30%

* IDC : Base on L drop 35% max. & Temp. rise up 40 deg.C max.

Product Series : GSSR	Brand : GOTREND
File Version : GSSR-SERIES-V4R0	Editor : Teddy Sun
Established Date : 2009.07.14	Description : SMD POWER CHOKE CORE WITH SHIELDING
Latest Edit Date : 2020.10.30	Product Type : <input checked="" type="checkbox"/> Standard <input type="checkbox"/> Customize

GSSR63P-SERIES

Dimension [mm] :



Size	A(+/-0.3)	B(+/-0.3)	C(Max.)	D(+/-0.8)	E(Ref.)	F(Ref.)	G(Ref.)
63	6.70	6.70	3.00	2.00	7.30	2.85	1.60

Electrical Characteristics :

Part No.	Inductance (uH)	DCR (Ω) (Max.)	IDC (Amp) (Max.)
GSSR63P-151 <input type="checkbox"/>	150.0	0.950	0.47
GSSR63P-181 <input type="checkbox"/>	180.0	1.200	0.41
GSSR63P-221 <input type="checkbox"/>	220.0	1.500	0.37
GSSR63P-271 <input type="checkbox"/>	270.0	1.700	0.33
GSSR63P-331 <input type="checkbox"/>	330.0	2.150	0.28
GSSR63P-391 <input type="checkbox"/>	390.0	2.250	0.27
GSSR63P-471 <input type="checkbox"/>	470.0	3.150	0.21
GSSR63P-561 <input type="checkbox"/>	560.0	3.750	0.20
GSSR63P-681 <input type="checkbox"/>	680.0	5.150	0.20
GSSR63P-102 <input type="checkbox"/>	1000.0	5.600	0.14

* Measuring Freq.(L) : @10KHz / 0.1V

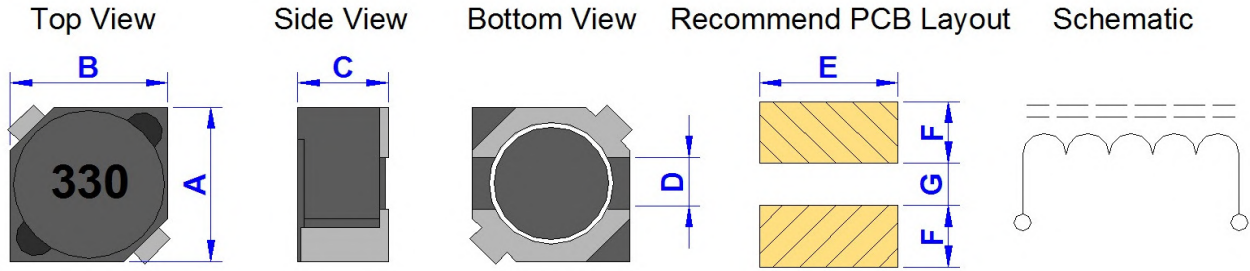
* Tolerance Code : M= \pm 20% , N= \pm 30%

* IDC : Base on L drop 35% max. & Temp. rise up 40 deg.C max.

Product Series : GSSR	Brand : GOTREND
File Version : GSSR-SERIES-V4R0	Editor : Teddy Sun
Established Date : 2009.07.14	Description : SMD POWER CHOKE CORE WITH SHIELDING
Latest Edit Date : 2020.10.30	Product Type : <input checked="" type="checkbox"/> Standard <input type="checkbox"/> Customize

GSSR64P-SERIES

Dimension [mm] :



Size	A(+/-0.3)	B(+/-0.3)	C(Max.)	D(+/-0.8)	E(Ref.)	F(Ref.)	G(Ref.)
64	6.70	6.70	4.10	2.00	7.30	2.85	1.60

Electrical Characteristics :

Part No.	Inductance (uH)	DCR (Ω) (Max.)	IDC (Amp) (Max.)
GSSR64P-1R2 <input type="checkbox"/>	1.2	0.014	3.20
GSSR64P-2R2 <input type="checkbox"/>	2.2	0.020	3.80
GSSR64P-3R3 <input type="checkbox"/>	3.3	0.020	3.50
GSSR64P-3R9 <input type="checkbox"/>	3.9	0.023	3.10
GSSR64P-4R7 <input type="checkbox"/>	4.7	0.024	3.00
GSSR64P-5R0 <input type="checkbox"/>	5.0	0.025	2.90
GSSR64P-6R2 <input type="checkbox"/>	6.2	0.027	2.50
GSSR64P-7R4 <input type="checkbox"/>	7.4	0.031	2.30
GSSR64P-8R7 <input type="checkbox"/>	8.7	0.034	2.20
GSSR64P-100 <input type="checkbox"/>	10.0	0.038	2.00
GSSR64P-120 <input type="checkbox"/>	12.0	0.053	1.70
GSSR64P-150 <input type="checkbox"/>	15.0	0.057	1.60
GSSR64P-180 <input type="checkbox"/>	18.0	0.092	1.50
GSSR64P-220 <input type="checkbox"/>	22.0	0.096	1.30
GSSR64P-270 <input type="checkbox"/>	27.0	0.109	1.20
GSSR64P-330 <input type="checkbox"/>	33.0	0.124	1.10
GSSR64P-390 <input type="checkbox"/>	39.0	0.138	1.00
GSSR64P-470 <input type="checkbox"/>	47.0	0.155	0.95
GSSR64P-560 <input type="checkbox"/>	56.0	0.202	0.85
GSSR64P-680 <input type="checkbox"/>	68.0	0.234	0.75
GSSR64P-820 <input type="checkbox"/>	82.0	0.324	0.70
GSSR64P-101 <input type="checkbox"/>	100.0	0.358	0.65
GSSR64P-121 <input type="checkbox"/>	120.0	0.470	0.59
GSSR64P-151 <input type="checkbox"/>	150.0	0.580	0.54
GSSR64P-181 <input type="checkbox"/>	180.0	0.690	0.49
GSSR64P-221 <input type="checkbox"/>	220.0	0.890	0.43

* Measuring Freq.(L) : @10KHz / 0.1V

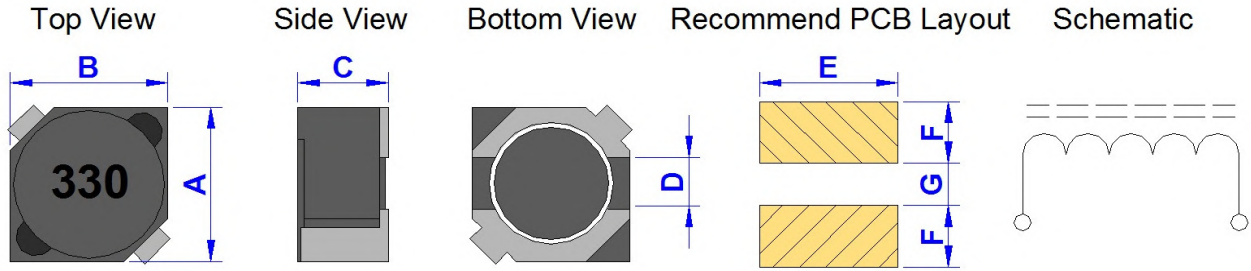
* Tolerance Code : M=± 20% , N=± 30%

* IDC : Base on L drop 35% max. & Temp. rise up 40 deg.C max.

Product Series : GSSR	Brand : GOTREND
File Version : GSSR-SERIES-V4R0	Editor : Teddy Sun
Established Date : 2009.07.14	Description : SMD POWER CHOKE CORE WITH SHIELDING
Latest Edit Date : 2020.10.30	Product Type : <input checked="" type="checkbox"/> Standard <input type="checkbox"/> Customize

GSSR64P-SERIES

Dimension [mm] :



Size	A(+/-0.3)	B(+/-0.3)	C(Max.)	D(+/-0.8)	E(Ref.)	F(Ref.)	G(Ref.)
64	6.70	6.70	4.10	2.00	7.30	2.85	1.60

Electrical Characteristics :

Part No.	Inductance (uH)	DCR (Ω) (Max.)	IDC (Amp) (Max.)
GSSR64P-271 <input type="checkbox"/>	270.0	1.290	0.40
GSSR64P-331 <input type="checkbox"/>	330.0	1.700	0.37
GSSR64P-391 <input type="checkbox"/>	390.0	1.750	0.34
GSSR64P-471 <input type="checkbox"/>	470.0	2.200	0.32
GSSR64P-561 <input type="checkbox"/>	560.0	2.850	0.29
GSSR64P-681 <input type="checkbox"/>	680.0	3.200	0.25
GSSR64P-821 <input type="checkbox"/>	820.0	4.050	0.22
GSSR64P-102 <input type="checkbox"/>	1000.0	5.700	0.20

* Measuring Freq.(L) : @10KHz / 0.1V

* Tolerance Code : M=± 20% , N=± 30%

* IDC : Base on L drop 35% max. & Temp. rise up 40 deg.C max.

Product Series : GSSR2	Brand : GOTREND
File Version : GSSR2-SERIES-V5R2	Editor : Teddy Sun
Established Date : 2009.08.27	Description : SMD Power Choke
Latest Edit Date : 2020.10.30	Product Type : <input checked="" type="checkbox"/> Standard <input type="checkbox"/> Customize

Features & Application :

- * Shielding for good in EMI and LowProfile for large current
- * Fit for power line & signal line circuit
- * To help you go pass the CE/FCC standard
- * Mobil Device / Handheld Device / LowProfile Device / Panel...



(Picture for reference only)

Part No. Example :

PN	:	GSSR2	-	104	P	-	3R8	N
-----		-----		-----	---		----	----
ID	:	1		2	3		4	5
1	:	GOTREND Series : GSSR2						
2	:	Dimension Code : 10 x 10 x 4 mm						
3	:	P = Pb free < 1000 ppm						
4	:	[L] Value : 3R8 = 3.8 uH						
5	:	Tolerance : M = 20% , N = 30%						

Basic Information :

Made in	China
Pin Foot	SMD
Shielding	Yes
J-STD-020	MSL Level 1
RoHS	Compliant
REACH	Compliant
Halogen	Free

Operating & Storage Condition :

- * Operating Temp -40 ~ +125 deg.C (Including self - temperature rise)
- * Storage Temp 1. -10 ~ +45 deg.C , 50 ~ 60% RH (Product with taping)
2. -40 ~ +125 deg.C (On board)
- * Storage Life Time 12 Month (Less than 40 deg.C and 60% RH)

Attention & Caution :

- * Keep out of Splashing water or salt water
- * Avoid Toxic Gas (Hydrogen sulfide, Sulfurous acid, Chlorine, Ammonia)
- Vibrations or shocks which exceed the specified condition
- Dew condense
- Layout near the edge of PCB
- Over flexure after SMT mounting & PCBA



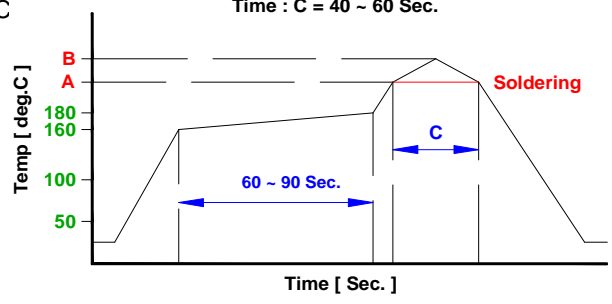
- * Pin foot or SMD pad solderability: Pb free type is best within 6 months after delivery
- * Humidity sensitive , IPC/JEDEC J-STD-020 MSL if over Level 1, recommend bake 30mins@150 degree before PCBA
- * Caution for human life relative applications : PLS contact & consult with GOTREND team in design stage.

Test Condition :

- * Equipment HP4284A , HP42841A - L , Q , DCR , IDC
HP8753D Network analyzer - SRF
- * Standard Atmosphere Conditions:
Ambient Temperature 20 ± 15 deg.C
Humidity RH 65 ± 20%
- * If there may be any doubt on the test result ,
Measurement shall be made within the following limits:
Ambient Temperature 25 ± 5 deg.C
Humidity RH 75 ± 10%

Recommend IR Reflow Curve : GTX-IR-FILE001

Lead Free Solder : A = 217 deg.C , B = 245+/-5 deg.C
Time : C = 40 ~ 60 Sec.

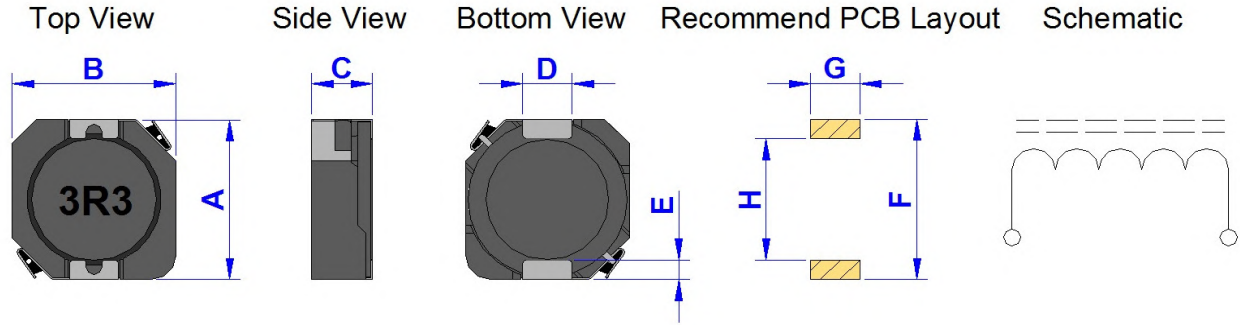


**Notice : Iron Soldering , Solder < 30 Watt ,
Direct touch the terminal x 3 Sec. Max. @ 350 deg.C**

Product Series : GSSR2	Brand : GOTREND
File Version : GSSR2-SERIES-V5R2	Editor : Teddy Sun
Established Date : 2009.08.27	Description : SMD Power Choke
Latest Edit Date : 2020.10.30	Product Type : <input checked="" type="checkbox"/> Standard <input type="checkbox"/> Customize

GSSR2-104P-SERIES

Dimension [mm] :



A+/-0.5	B+0.5	C+/-0.2	D [Typ.]	E [Typ.]	F [Ref.]	G [Ref.]	H [Ref.]
10.20	10.00	3.80	3.00	1.25	10.70	3.80	7.30

Electrical Characteristics :

Part No.	Inductance (uH) at 100kHz, 1V	DCR (Ω) (Max.) at 20 °C	Isat (A) Max.	Irms (A) Max.
GSSR2-104P-R33N	0.33	4.2m	12.00	8.50
GSSR2-104P-R68N	0.68	6.0m	11.00	7.50
GSSR2-104P-1R0N	1.00	10.0m	10.00	6.50
GSSR2-104P-1R3N	1.30	8.1m	10.00	6.50
GSSR2-104P-1R5N	1.50	8.1m	10.00	6.10
GSSR2-104P-1R8N	1.80	10.0m	9.20	6.10
GSSR2-104P-2R2N	2.20	10.0m	7.60	6.10
GSSR2-104P-2R5N	2.50	10.5m	7.50	6.10
GSSR2-104P-3R0N	3.00	12.0m	7.50	6.10
GSSR2-104P-3R3M	3.30	13.0m	7.50	6.10
GSSR2-104P-3R8N	3.80	13.0m	6.00	5.50
GSSR2-104P-4R7N	4.70	21.0m	5.70	5.60
GSSR2-104P-5R2N	5.20	22.0m	5.50	5.40
GSSR2-104P-5R6N	5.60	29.0m	5.30	5.00
GSSR2-104P-6R8N	6.80	27.0m	4.80	4.50
GSSR2-104P-7R0N	7.00	27.0m	4.80	4.50
GSSR2-104P-8R2N	8.20	34.0m	4.40	3.80
GSSR2-104P-100M	10.00	35.0m	4.40	3.80
GSSR2-104P-120M	12.00	46.0m	3.70	3.70
GSSR2-104P-150M	15.00	50.0m	3.60	3.10
GSSR2-104P-180M	18.00	70.0m	3.20	2.60
GSSR2-104P-220M	22.00	73.0m	2.90	2.50
GSSR2-104P-270N	27.00	87.0m	2.40	2.30
GSSR2-104P-330M	33.00	93.0m	2.30	2.20
GSSR2-104P-470M	47.00	128.0m	2.10	1.90
GSSR2-104P-680M	68.00	213.0m	1.50	1.42

* Measuring Freq. (L) : at @100KHz / 1Volt

* Inductance Tolerance : 0.33~15.0 uH +/-30% , 18~820 uH +/-20% and +/-30%

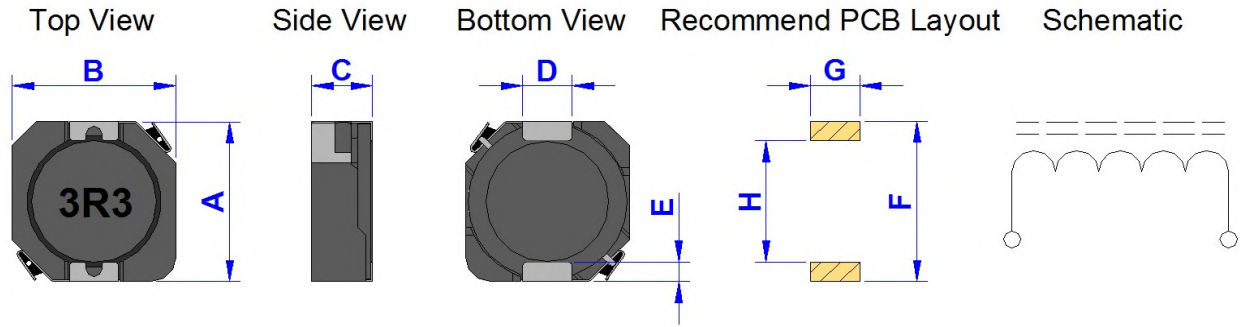
* Isat : The current when the inductance decreases to 65% of initial value.

* Irms : The current when the temperature of coil is increased by 40 °C.

Product Series : GSSR2	Brand : GOTREND
File Version : GSSR2-SERIES-V5R2	Editor : Teddy Sun
Established Date : 2009.08.27	Description : SMD Power Choke
Latest Edit Date : 2020.10.30	Product Type : <input checked="" type="checkbox"/> Standard <input type="checkbox"/> Customize

GSSR2-104P-SERIES

Dimension [mm] :



A+/-0.5	B+0.5	C+/-0.2	D [Typ.]	E [Typ.]	F [Ref.]	G [Ref.]	H [Ref.]
10.20	10.00	3.80	3.00	1.25	10.70	3.80	7.30

Electrical Characteristics :

Part No.	Inductance (uH) at 100kHz, 1V	DCR (Ω) (Max.) at 20 °C	Isat (A) Max.	Irms (A) Max.
GSSR2-104P-820M	82.00	265.0m	1.40	1.32
GSSR2-104P-101M	100.00	304.0m	1.35	1.25
GSSR2-104P-151M	150.00	506.0m	1.15	0.85
GSSR2-104P-221M	220.00	756.0m	0.92	0.70
GSSR2-104P-331M	330.00	1.09	0.70	0.52
GSSR2-104P-681M	680.00	2.30	0.45	0.45
GSSR2-104P-821M	820.00	2.60	0.49	0.30

* Measuring Freq. (L) : at @100KHz / 1Volt

* Inductance Tolerance : 0.33~15.0 uH +/-30% , 18~820 uH +/-20% and +/-30%

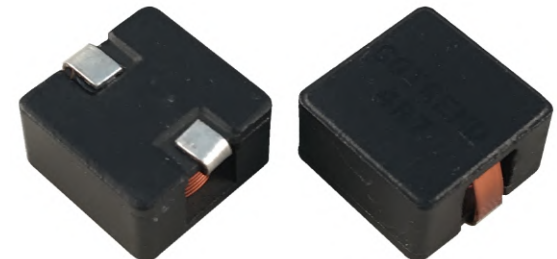
* Isat : The current when the inductance decreases to 65% of initial value.

* Irms : The current when the temperature of coil is increased by 40 °C.

Product Series : GSTF	Brand : GOTREND
File Version : GSTF-SERIES-V1R2	Editor : Teddy Sun
Established Date : 2018.10.01	Description : High Current Inductor
Latest Edit Date : 2020.10.30	Product Type : <input checked="" type="checkbox"/> Standard <input type="checkbox"/> Customize

Features & Application :

- * High performance (Isat) realized by metal dust core.
- * Low loss of iron poewr core
- * Minimize electromagnetic interference
- * 100% lead (Pb) free meet RoHS standard
- * DC/DC converter for CPU in Notebook PC



(Picture for reference only)

Part No. Example :

PN	:	GSTF	2814	P	[1	-	220	K
-----		-----	-----	---	-----		----	---
ID	:	1	2	3	4		5	6
1	:	GOTREND Series : GSTF						
2	:	Type Size Code : 2814 = 28.0 x 28.0 x 14.3 mm						
3	:	P = Pb free < 1000 ppm						
4	:	Electrical Code : [H] = High Current , [L] = Low DCR						
5	:	[L] Value : Inductance 220 = 22.0 uH						
6	:	[K] : Tolerance : +/-10%						

Basic Information :

Made in	China
Pin Foot	SMD
Shielding	Yes
J-STD-020	MSL Level 1
RoHS	Compliant
REACH	Compliant
Halogen	Free

Operating & Storage Condition :

- * Operating Temp -40 ~ +125 deg.C (Including self - temperature rise)
- * Storage Temp 1. -10 ~ +45 deg.C , 50 ~ 60% RH (Product with taping)
2. -40 ~ +125 deg.C (On board)
- * Storage Life Time 12 Month (Less than 40 deg.C and 60% RH)

Attention & Caution :

- * Keep out of Splashing water or salt water
- * Avoid Toxic Gas (Hydrogen sulfide, Sulfurous acid, Chlorine, Ammonia)
- * Avoid Vibrations or shocks which exceed the specified condition
- * Avoid Dew condense
- * Avoid Layout near the edge of PCB
- * Avoid Over flexure after SMT mounting & PCBA



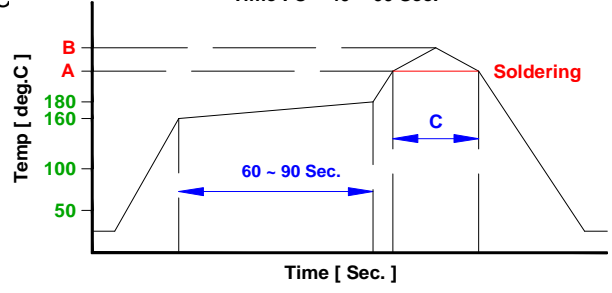
- * Pin foot or SMD pad solderability: Pb free type is best within 6 months after delivery
- * Humidity sensitive , IPC/JEDEC J-STD-020 MSL if over Level 1, recommend bake 30mins@150 degree before PCBA
- * Caution for human life relative applications : PLS contact & consult with GOTREND team in design stage.

Test Condition :

- * Equipment HP4284A , HP42841A - L , Q , DCR , IDC
HP8753D Network analyzer - SRF
- * Standard Atmosphere Conditions:
Ambient Temperature 20 ± 15 deg.C
Humidity RH 65 ± 20%
- * If there may be any doubt on the test result ,
Measurement shall be made within the following limits:
Ambient Temperature 25 ± 5 deg.C
Humidity RH 75 ± 10%

Recommend IR Reflow Curve : GTX-IR-FILE001

Lead Free Solder : A = 217 deg.C , B = 245+/-5 deg.C
Time : C = 40 ~ 60 Sec.

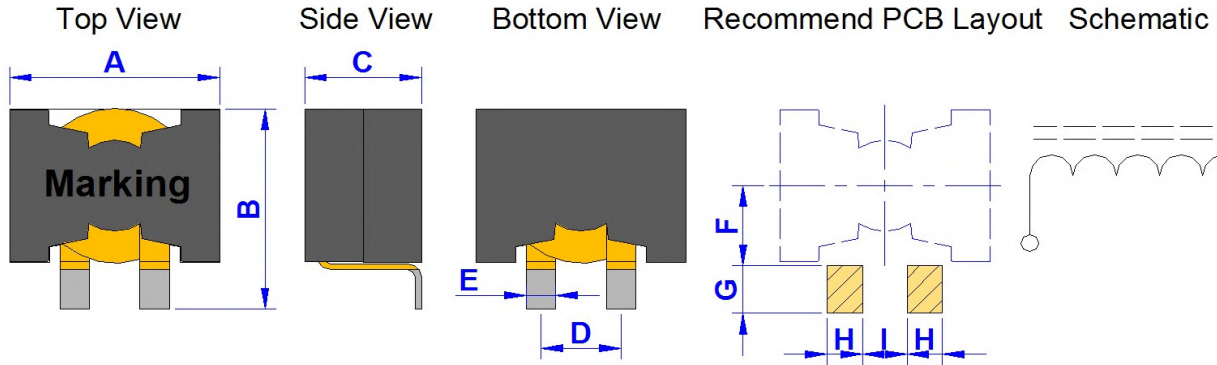


**Notice : Iron Soldering , Solder < 30 Watt ,
Direct touch the terminal x 3 Sec. Max. @ 350 deg.C**

Product Series : GSTF	Brand : GOTREND
File Version : GSTF-SERIES-V1R2	Editor : Teddy Sun
Established Date : 2018.10.01	Description : High Current Inductor
Latest Edit Date : 2020.10.30	Product Type : <input checked="" type="checkbox"/> Standard <input type="checkbox"/> Customize

GSTF2814PH-SERIES

Dimension [mm] :



Size	A(Max.)	B(Typ.)	C(Max.)	D(+/-0.5)	E(+/-0.5)	F(Ref.)	G(Ref.)	H(Ref.)	I(Ref.)
2814PH	28.0	28.0	14.3	10.1	4.0	11.56	5.59	5.33	4.84

Electrical Characteristics :

Part No.	Inductance (μ H) ($\pm 10\%$)	DCR (m Ohm) (Max.)	Isat 1 (A) (Typ.)	Isat 2 (A) (Typ.)	Isat 3 (A) (Typ.)	Irms 1 (A) (Typ.)	Irms 2 (A) (Typ.)	SRF (MHz) (Typ.)
GSTF2814PH-2R2K	2.2	2.01	100.0	>100	>100	20.0	30.0	40.0
GSTF2814PH-3R3K	3.3	2.01	62.0	66.9	68.4	20.0	30.0	30.0
GSTF2814PH-4R7K	4.7	2.01	42.0	48.0	50.1	20.0	30.0	25.0
GSTF2814PH-6R8K	6.8	2.01	30.0	34.5	36.2	20.0	30.0	20.0
GSTF2814PH-100K	10.0	2.01	18.0	21.5	23.4	20.0	30.0	15.0
GSTF2814PH-150K	15.0	2.01	11.5	14.0	15.2	20.0	30.0	12.0
GSTF2814PH-220K	22.0	2.01	7.0	8.6	9.6	20.0	30.0	10.0
GSTF2814PH-330K	33.0	2.01	4.0	5.1	5.9	20.0	30.0	8.0

* Test Condition : @500KHz , 0.1Vrms , 25deg.C Ambient

* Isat 1 : DC current (A) that will cause L0 to drop approximately 10%

* Isat 2 : DC current (A) that will cause L0 to drop approximately 20%

* Isat 3 : DC current (A) that will cause L0 to drop approximately 30%

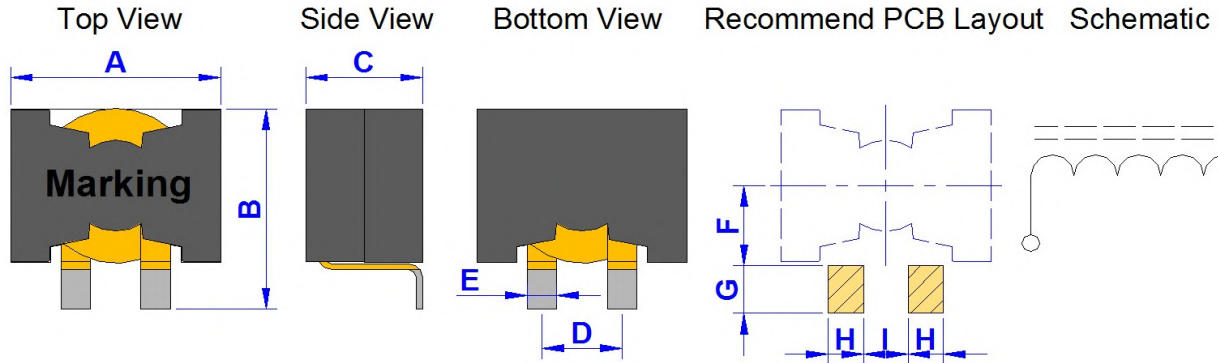
* Irms 1 : Rated Current Loading when temperature rise approximately 20deg.C

* Irms 2 : Rated Current Loading when temperature rise approximately 40deg.C

Product Series : GSTF	Brand : GOTREND
File Version : GSTF-SERIES-V1R2	Editor : Teddy Sun
Established Date : 2018.10.01	Description : High Current Inductor
Latest Edit Date : 2020.10.30	Product Type : <input checked="" type="checkbox"/> Standard <input type="checkbox"/> Customize

GSTF2818PL-SERIES

Dimension [mm] :



Size	A(Max.)	B(Typ.)	C(Max.)	D(+/-0.5)	E(+/-0.5)	F(Ref.)	G(Ref.)	H(Ref.)	I(Ref.)
2818PL	28.0	28.0	18.0	10.4	3.8	10.56	5.59	5.33	5.00

Electrical Characteristics :

Part No.	Inductance (μ H) ($\pm 10\%$)	DCR (m Ohm) (Max.)	Isat 1 (A) (Typ.)	Isat 2 (A) (Typ.)	Isat 3 (A) (Typ.)	Irms 1 (A) (Typ.)	Irms 2 (A) (Typ.)	SRF (MHz) (Typ.)
GSTF2818PL-3R3K	3.3	2.86	91.0	92.5	93.6	20.0	28.0	40.0
GSTF2818PL-4R7K	4.7	2.86	59.0	61.2	62.4	20.0	28.0	30.0
GSTF2818PL-6R8K	6.8	2.86	42.0	45.0	45.9	20.0	28.0	25.0
GSTF2818PL-100K	10.0	2.86	28.0	31.2	32.1	20.0	28.0	20.0
GSTF2818PL-150K	15.0	2.86	18.0	21.2	21.9	20.0	28.0	16.0
GSTF2818PL-220K	22.0	2.86	12.0	14.0	15.0	20.0	28.0	15.0
GSTF2818PL-330K	33.0	2.86	7.0	8.7	9.6	20.0	28.0	10.0

* Test Condition : @200KHz , 0.1Vrms , 25deg.C Ambient

* Isat 1 : DC current (A) that will cause L0 to drop approximately 10%

* Isat 2 : DC current (A) that will cause L0 to drop approximately 20%

* Isat 3 : DC current (A) that will cause L0 to drop approximately 30%

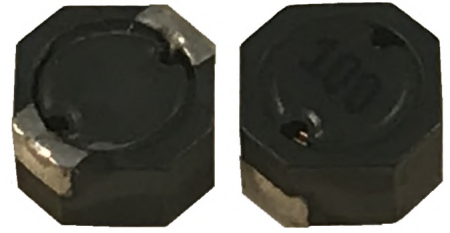
* Irms 1 : Rated Current Loading when temperature rise approximately 20deg.C

* Irms 2 : Rated Current Loading when temperature rise approximately 40deg.C

Product Series : GTSD	Brand : GOTREND
File Version : GTSD-SERIES-V4R2	Editor : Teddy Sun
Established Date : 2009.09.01	Description : Ferrite Core Shielding SMD Choke
Latest Edit Date : 2020.11.06	Product Type : <input checked="" type="checkbox"/> Standard <input type="checkbox"/> Customize

Features & Application :

- * Shielding Choke good in EMI and fit for various application
- * Fit for power line & signal line circuit
- * To help you go pass the CE/FCC standard.
- * Mobile Device / Handheld Device / LowProfile Device / Panel...



(Picture for reference only)

Part No. Example :

PN	:	GTSD	32	P	-	100	<input type="checkbox"/>
-----		-----	-----	---		-----	----
ID	:	1	2	3		4	5
1	:	GOTREND Series : GTSD					
2	:	Size Code : 32 = 3.85 x 3.85 x 1.80					
3	:	P = Pb (Lead) Free < 1000 ppm					
4	:	[L] Value : Inductance 100 = 10uH					
5	:	Tolerance : M = +/-20% , N = +/-30%					


Basic Information :

Made in	China
Pin Foot	SMD
Shielding	Yes
J-STD-020	MSL Level 1
RoHS	Compliant
REACH	Compliant
Halogen	Free

Operating & Storage Condition :

- * Operating Temp -40 ~ +125 deg.C (Including self - temperature rise)
- * Storage Temp 1. -10 ~ +45 deg.C , 50 ~ 60% RH (Product with taping)
2. -40 ~ +125 deg.C (On board)
- * Storage Life Time 6 Month (Less than 40 deg.C and 60% RH)

Attention & Caution :

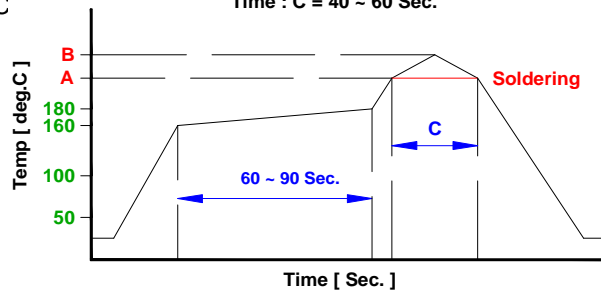
- * Keep out of Splashing water or salt water
- * Avoid Toxic Gas (Hydrogen sulfide, Sulfurous acid, Chlorine, Ammonia)
-  Vibrations or shocks which exceed the specified condition
- Dew condense
- Layout near the edge of PCB
- Over flexure after SMT mounting & PCBA
- * Pin foot or SMD pad solderability: Pb free type is best within 6 months after delivery
- * Humidity sensitive , IPC/JEDEC J-STD-020 MSL if over Level 1, recommend bake 30mins@150 degree before PCBA
- * Caution for human life relative applications : PLS contact & consult with GOTREND team in design stage.

Test Condition :

- * Equipment HP4284A , HP42841A - L , Q , DCR , IDC
HP8753D Network analyzer - SRF
- * Standard Atmosphere Conditions:
Ambient Temperature 20 ± 15 deg.C
Humidity RH 65 ± 20%
- * If there may be any doubt on the test result ,
Measurement shall be made within the following limits:
Ambient Temperature 25 ± 5 deg.C
Humidity RH 75 ± 10%

Recommend IR Reflow Curve : GTX-IR-FILE001

Lead Free Solder : A = 217 deg.C , B = 245+/-5 deg.C
Time : C = 40 ~ 60 Sec.

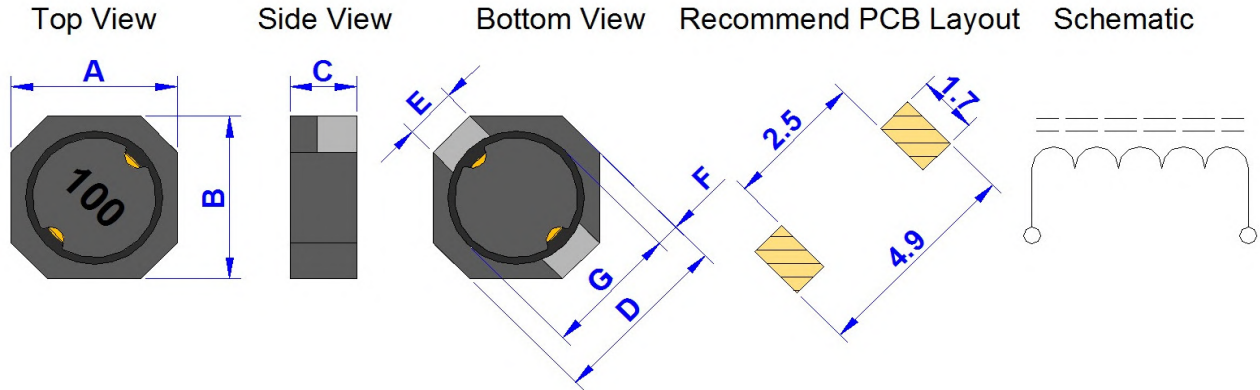


**Notice : Iron Soldering , Solder < 30 Watt ,
Direct touch the terminal x 3 Sec. Max. @ 350 deg.C**

Product Series : GTSD	Brand : GOTREND
File Version : GTSD-SERIES-V4R2	Editor : Teddy Sun
Established Date : 2009.09.01	Description : Ferrite Core Shielding SMD Choke
Latest Edit Date : 2020.11.06	Product Type : <input checked="" type="checkbox"/> Standard <input type="checkbox"/> Customize

GTSD32P-SERIES

Dimension [mm] :



Size	A(+/-0.3)	B(+/-0.3)	C(Max.)	D(+/-0.3)	E(Ref.)	F(Ref.)	G(Ref.)
32	3.85	3.85	1.80	4.10	1.60	0.50	3.20

Electrical Characteristics :

Part No.	L(uH) ± 20% (0.25V)	Test Frequency	DCR (mΩ) (Max.)	IDC (Amp) (Max.)
GTSD32P-R47	0.47	100KHz	17	1.84
GTSD32P-1R0	1.00	100KHz	30	1.80
GTSD32P-1R2	1.20	100KHz	83	1.70
GTSD32P-1R5	1.50	100KHz	52	1.60
GTSD32P-1R8	1.80	100KHz	56	1.55
GTSD32P-2R2	2.20	100KHz	58	1.50
GTSD32P-2R5	2.50	100KHz	59	1.40
GTSD32P-2R7	2.70	100KHz	60	1.35
GTSD32P-3R3	3.30	100KHz	64	1.30
GTSD32P-3R5	3.50	100KHz	127	1.30
GTSD32P-4R7	4.70	100KHz	146	1.10
GTSD32P-5R6	5.60	100KHz	176	0.95
GTSD32P-6R2	6.20	100KHz	220	0.91
GTSD32P-6R8	6.80	100KHz	238	0.90
GTSD32P-8R2	8.20	100KHz	272	0.80
GTSD32P-100	10.00	1KHz	299	0.70
GTSD32P-150	15.00	1KHz	472	0.61
GTSD32P-220	22.00	1KHz	592	0.52
GTSD32P-270	27.00	1KHz	630	0.44
GTSD32P-330	33.00	1KHz	1075	0.43
GTSD32P-470	47.00	1KHz	1309	0.34
GTSD32P-560	56.00	1KHz	1800	0.30
GTSD32P-680	68.00	1KHz	2613	0.25
GTSD32P-820	82.00	1KHz	2950	0.20

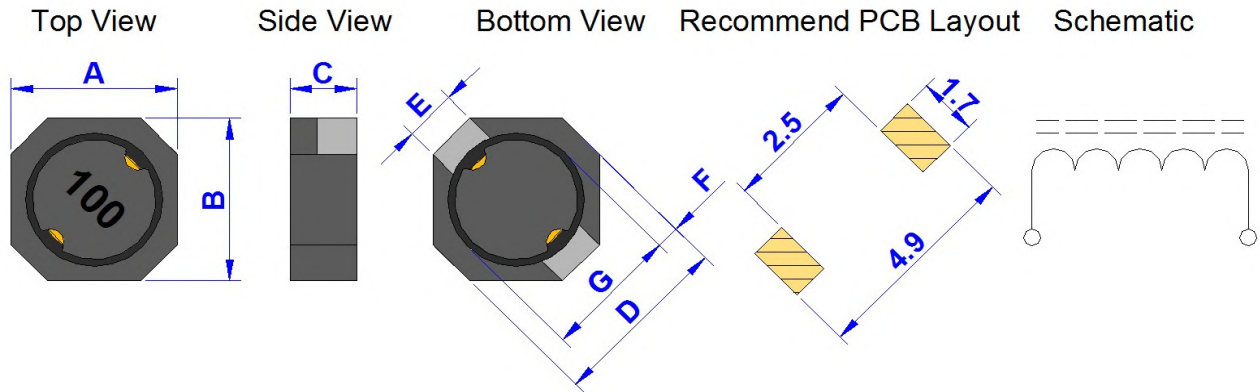
■ Tolerance : M = 20% , N = 30%

■ IDC : Base on L drop 35% Max. & Temp. rise up 40 deg.C Max.

Product Series : GTSD	Brand : GOTREND
File Version : GTSD-SERIES-V4R2	Editor : Teddy Sun
Established Date : 2009.09.01	Description : Ferrite Core Shielding SMD Choke
Latest Edit Date : 2020.11.06	Product Type : <input checked="" type="checkbox"/> Standard <input type="checkbox"/> Customize

GTSD32P-SERIES

Dimension [mm] :



Size	A(+/-0.3)	B(+/-0.3)	C(Max.)	D(+/-0.3)	E(Ref.)	F(Ref.)	G(Ref.)
32	3.85	3.85	1.80	4.10	1.60	0.50	3.20

Electrical Characteristics :

Part No.	L(uH) ± 20% (0.25V)	Test Frequency	DCR (mΩ) (Max.)	IDC (Amp) (Max.)
GTSD32P-101□	100.00	1KHz	3255	0.19
GTSD32P-151□	150.00	1KHz	3500	0.12
GTSD32P-221□	220.00	1KHz	4900	0.09
GTSD32P-331□	330.00	1KHz	7280	0.08
GTSD32P-222□	2200.0	1KHz	59000	0.035

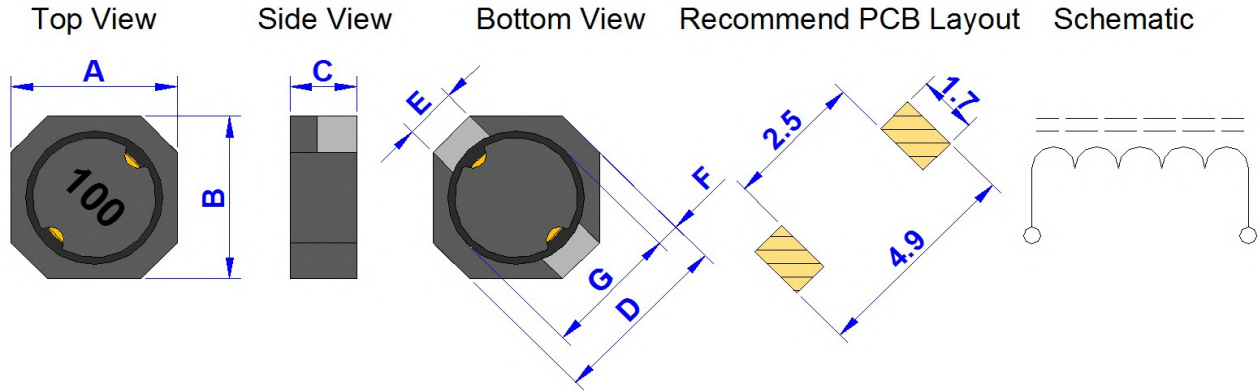
■ Tolerance : M = 20% , N = 30%

■ IDC : Base on L drop 35% Max. & Temp. rise up 40 deg.C Max.

Product Series : GTSD	Brand : GOTREND
File Version : GTSD-SERIES-V4R2	Editor : Teddy Sun
Established Date : 2009.09.01	Description : Ferrite Core Shielding SMD Choke
Latest Edit Date : 2020.11.06	Product Type : <input checked="" type="checkbox"/> Standard <input type="checkbox"/> Customize

GTSD33P-SERIES

Dimension [mm] :



Size	A(+/-0.3)	B(+/-0.3)	C(Max.)	D(+/-0.3)	E(Ref.)	F(Ref.)	G(Ref.)
33	3.85	3.85	3.00	3.90	1.60	0.50	3.20

Electrical Characteristics :

Part No.	L(uH) ± 20% (0.25V)	Test Frequency	DCR (mΩ) (Max.)	IDC (Amp) (Max.)
GTSD33P-1R0□	1.00	100KHz	9	1.90
GTSD33P-1R2□	1.20	100KHz	10	1.75
GTSD33P-1R5□	1.50	100KHz	13	1.45
GTSD33P-2R0□	2.00	100KHz	16	1.25
GTSD33P-2R2□	2.20	100KHz	17	1.15
GTSD33P-2R5□	2.50	100KHz	18	1.05
GTSD33P-2R7□	2.70	100KHz	20	1.00
GTSD33P-3R3□	3.30	100KHz	24	0.96
GTSD33P-3R5□	3.50	100KHz	25	0.95
GTSD33P-3R9□	3.90	100KHz	33	0.87
GTSD33P-4R7□	4.70	100KHz	39	0.78
GTSD33P-5R6□	5.60	100KHz	44	0.74
GTSD33P-6R8□	6.80	100KHz	51	0.68
GTSD33P-8R2□	8.20	100KHz	65	0.57
GTSD33P-100□	10.00	1KHz	92	0.43
GTSD33P-120□	12.00	1KHz	100	0.38
GTSD33P-150□	15.00	1KHz	113	0.33
GTSD33P-180□	18.00	1KHz	125	0.30
GTSD33P-220□	22.00	1KHz	146	0.28
GTSD33P-270□	27.00	1KHz	176	0.26
GTSD33P-330□	33.00	1KHz	214	0.23
GTSD33P-390□	39.00	1KHz	225	0.21
GTSD33P-470□	47.00	1KHz	304	0.19
GTSD33P-560□	56.00	1KHz	324	0.17

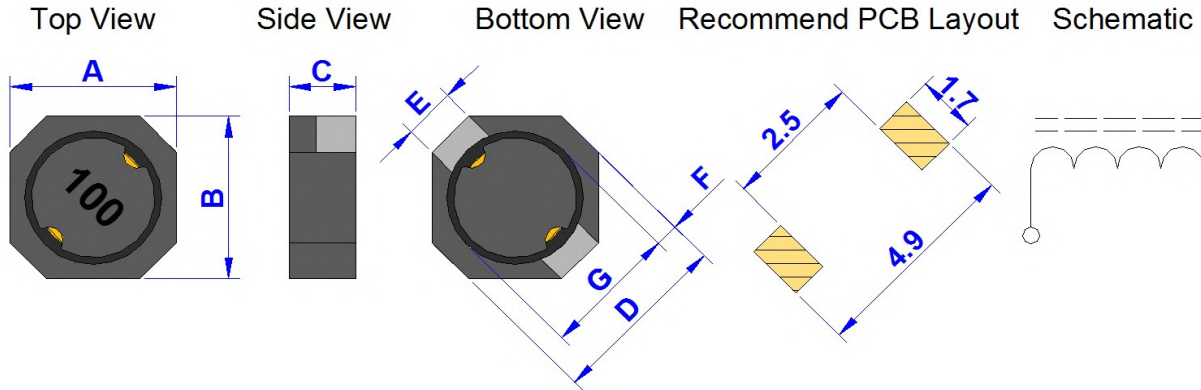
■ Tolerance : M = 20% , N = 30%

■ IDC : Base on L drop 35% Max. & Temp. rise up 40 deg.C Max.

Product Series : GTSD	Brand : GOTREND
File Version : GTSD-SERIES-V4R2	Editor : Teddy Sun
Established Date : 2009.09.01	Description : Ferrite Core Shielding SMD Choke
Latest Edit Date : 2020.11.06	Product Type : <input checked="" type="checkbox"/> Standard <input type="checkbox"/> Customize

GTSD33P-SERIES

Dimension [mm] :



Size	A(+/-0.3)	B(+/-0.3)	C(Max.)	D(+/-0.3)	E(Ref.)	F(Ref.)	G(Ref.)
33	3.85	3.85	3.00	3.90	1.60	0.50	3.20

Electrical Characteristics :

Part No.	L(uH) ± 20% (0.25V)	Test Frequency	DCR (mΩ) (Max.)	IDC (Amp) (Max.)
GTSD33P-680□	68.00	1KHz	472	0.16
GTSD33P-820□	82.00	1KHz	539	0.14
GTSD33P-101□	100.00	1KHz	608	0.13
GTSD33P-121□	120.00	1KHz	757	0.12
GTSD33P-151□	150.00	1KHz	882	0.11
GTSD33P-181□	180.00	1KHz	1130	0.09
GTSD33P-221□	220.00	1KHz	1269	0.09
GTSD33P-271□	270.00	1KHz	1570	0.08
GTSD33P-331□	330.00	1KHz	1930	0.08
GTSD33P-471□	470.00	1KHz	2770	0.07

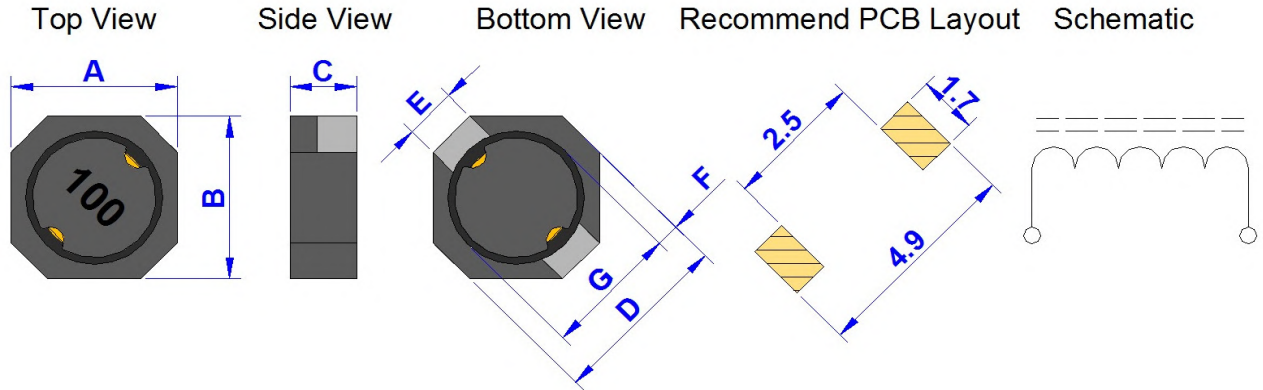
■ Tolerance : M = 20% , N = 30%

■ IDC : Base on L drop 35% Max. & Temp. rise up 40 deg.C Max.

Product Series : GTSD	Brand : GOTREND
File Version : GTSD-SERIES-V4R2	Editor : Teddy Sun
Established Date : 2009.09.01	Description : Ferrite Core Shielding SMD Choke
Latest Edit Date : 2020.11.06	Product Type : <input checked="" type="checkbox"/> Standard <input type="checkbox"/> Customize

GTSD33PC-SERIES

Dimension [mm] :



Size	A(+/-0.3)	B(+/-0.3)	C(Max.)	D(+/-0.3)	E(Ref.)	F(Ref.)	G(Ref.)
33C	3.85	3.85	3.00	3.90	1.60	0.50	3.20

Electrical Characteristics :

Part No.	L(uH) ± 20% (0.25V)	Test Frequency	DCR (mΩ) (Max.)	IDC (Amp) (Max.)
GTSD33PC-1R5	1.50	100KHz	15	1.90
GTSD33PC-1R8	1.80	100KHz	18	1.76
GTSD33PC-2R4	2.40	100KHz	22	1.65
GTSD33PC-2R7	2.70	100KHz	28	1.45
GTSD33PC-3R3	3.30	100KHz	32	1.44
GTSD33PC-3R6	3.60	100KHz	35	1.43
GTSD33PC-3R9	3.90	100KHz	37	1.32
GTSD33PC-4R3	4.30	100KHz	43	1.00
GTSD33PC-4R7	4.70	100KHz	45	0.97
GTSD33PC-5R1	5.10	100KHz	46	0.94
GTSD33PC-6R8	6.80	100KHz	65	0.87
GTSD33PC-8R2	8.20	100KHz	91	0.77
GTSD33PC-100	10.00	1KHz	105	0.70
GTSD33PC-120	12.00	1KHz	119	0.67
GTSD33PC-150	15.00	1KHz	140	0.54
GTSD33PC-180	18.00	1KHz	175	0.50
GTSD33PC-220	22.00	1KHz	201	0.48
GTSD33PC-270	27.00	1KHz	227	0.40
GTSD33PC-330	33.00	1KHz	287	0.35
GTSD33PC-390	39.00	1KHz	341	0.33
GTSD33PC-470	47.00	1KHz	430	0.32
GTSD33PC-560	56.00	1KHz	471	0.30
GTSD33PC-680	68.00	1KHz	532	0.27
GTSD33PC-820	82.00	1KHz	675	0.23

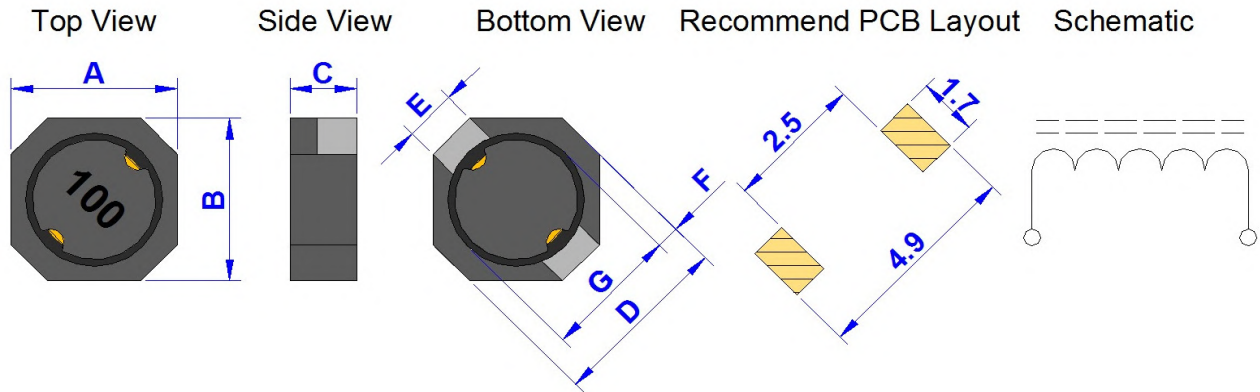
■ Tolerance : M = 20% , N = 30%

■ IDC : Base on L drop 35% Max. & Temp. rise up 40 deg.C Max.

Product Series : GTSD	Brand : GOTREND
File Version : GTSD-SERIES-V4R2	Editor : Teddy Sun
Established Date : 2009.09.01	Description : Ferrite Core Shielding SMD Choke
Latest Edit Date : 2020.11.06	Product Type : <input checked="" type="checkbox"/> Standard <input type="checkbox"/> Customize

GTSD33PC-SERIES

Dimension [mm] :



Size	A(+/-0.3)	B(+/-0.3)	C(Max.)	D(+/-0.3)	E(Ref.)	F(Ref.)	G(Ref.)
33C	3.85	3.85	3.00	3.90	1.60	0.50	3.20

Electrical Characteristics :

Part No.	L(uH) ± 20% (0.25V)	Test Frequency	DCR (mΩ) (Max.)	IDC (Amp) (Max.)
GTSD33PC-101□	100.00	1KHz	850	0.21
GTSD33PC-121□	120.00	1KHz	1100	0.20
GTSD33PC-151□	150.00	1KHz	1230	0.17
GTSD33PC-181□	180.00	1KHz	1560	0.15
GTSD33PC-221□	220.00	1KHz	1800	0.14
GTSD33PC-271□	270.00	1KHz	2200	0.13
GTSD33PC-331□	330.00	1KHz	2640	0.12
GTSD33PC-471□	470.00	1KHz	3820	0.10

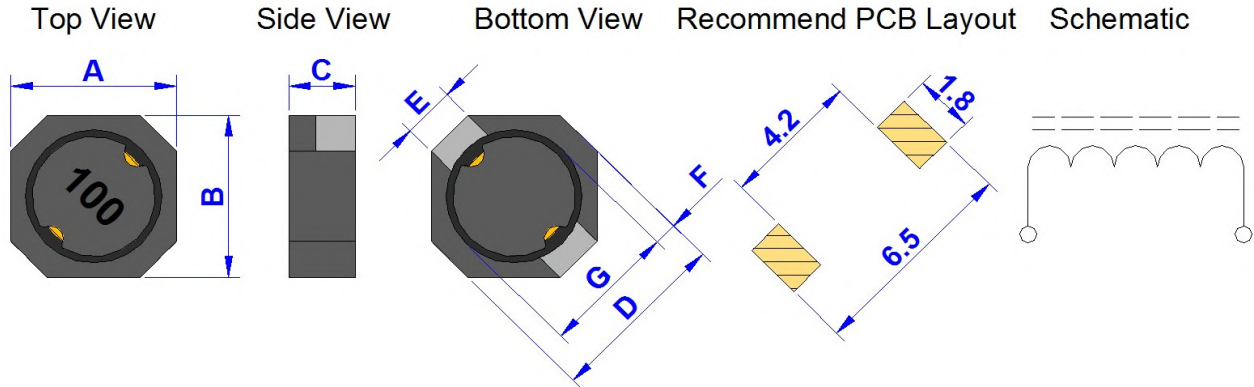
■ Tolerance : M = 20% , N = 30%

■ IDC : Base on L drop 35% Max. & Temp. rise up 40 deg.C Max.

Product Series : GTSD	Brand : GOTREND
File Version : GTSD-SERIES-V4R2	Editor : Teddy Sun
Established Date : 2009.09.01	Description : Ferrite Core Shielding SMD Choke
Latest Edit Date : 2020.11.06	Product Type : <input checked="" type="checkbox"/> Standard <input type="checkbox"/> Customize

GTSD52P-SERIES

Dimension [mm] :



Size	A(+/-0.3)	B(+/-0.3)	C(Max.)	D(+/-0.3)	E(Ref.)	F(Ref.)	G(Ref.)
52	5.00	5.00	2.00	5.50	1.60	0.50	4.20

Electrical Characteristics :

Part No.	L(uH) ± 20% (0.25V)	Test Frequency	DCR (mΩ) (Max.)	IDC (Amp) (Max.)
GTSD52P-R47□	0.47	100KHz	15	4.00
GTSD52P-1R0□	1.00	100KHz	24	2.27
GTSD52P-1R2□	1.20	100KHz	44	2.15
GTSD52P-2R0□	2.00	100KHz	46	1.90
GTSD52P-2R2□	2.20	100KHz	59	1.63
GTSD52P-3R3□	3.30	100KHz	62	1.50
GTSD52P-3R5□	3.50	100KHz	73	1.34
GTSD52P-4R7□	4.70	100KHz	87	1.14
GTSD52P-6R8□	6.80	100KHz	105	0.95
GTSD52P-8R2□	8.20	100KHz	139	0.90
GTSD52P-100□	10.00	1KHz	150	0.76
GTSD52P-150□	15.00	1KHz	210	0.63
GTSD52P-220□	22.00	1KHz	275	0.56
GTSD52P-330□	33.00	1KHz	455	0.44
GTSD52P-470□	47.00	1KHz	730	0.35
GTSD52P-680□	68.00	1KHz	935	0.30
GTSD52P-101□	100.00	1KHz	1500	0.23
GTSD52P-121□	120.00	1KHz	1910	0.22
GTSD52P-151□	150.00	1KHz	2680	0.21
GTSD52P-181□	180.00	1KHz	3040	0.20
GTSD52P-221□	220.00	1KHz	3520	0.195
GTSD52P-271□	270.00	1KHz	4380	0.193
GTSD52P-331□	330.00	1KHz	5560	0.15
GTSD52P-471□	470.00	1KHz	7820	0.10

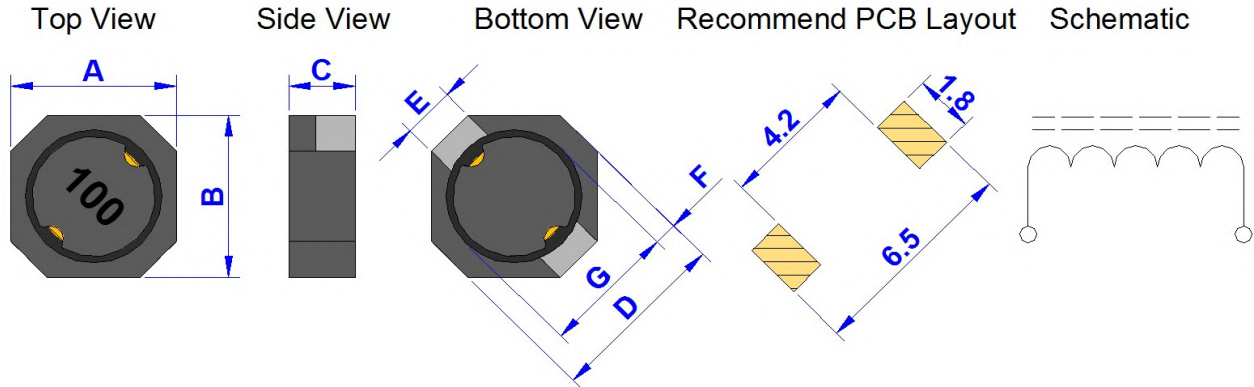
■ Tolerance : M = 20% , N = 30%

■ IDC : Base on L drop 35% Max. & Temp. rise up 40 deg.C Max.

Product Series : GTSD	Brand : GOTREND
File Version : GTSD-SERIES-V4R2	Editor : Teddy Sun
Established Date : 2009.09.01	Description : Ferrite Core Shielding SMD Choke
Latest Edit Date : 2020.11.06	Product Type : <input checked="" type="checkbox"/> Standard <input type="checkbox"/> Customize

GTSD53P-SERIES

Dimension [mm] :



Size	A(+/-0.3)	B(+/-0.3)	C(Max.)	D(+/-0.3)	E(Ref.)	F(Ref.)	G(Ref.)
53	5.00	5.00	3.00	5.50	1.60	0.50	4.20

Electrical Characteristics :

Part No.	L(uH) ± 20% (0.25V)	Test Frequency	DCR (mΩ) (Max.)	IDC (Amp) (Max.)
GTSD53P-1R0	1.00	100KHz	15	4.00
GTSD53P-1R1	1.10	100KHz	20	3.87
GTSD53P-1R2	1.20	100KHz	22	3.80
GTSD53P-1R5	1.50	100KHz	22	3.80
GTSD53P-2R0	2.00	100KHz	27	2.92
GTSD53P-2R2	2.20	100KHz	29	2.41
GTSD53P-3R3	3.30	100KHz	34	2.36
GTSD53P-4R7	4.70	100KHz	45	1.87
GTSD53P-5R6	5.60	100KHz	52	1.60
GTSD53P-6R2	6.20	100KHz	62	1.55
GTSD53P-6R8	6.80	100KHz	68	1.51
GTSD53P-8R2	8.20	100KHz	75	1.40
GTSD53P-100	10.00	1KHz	90	1.33
GTSD53P-150	15.00	1KHz	142	1.05
GTSD53P-220	22.00	1KHz	208	0.86
GTSD53P-330	33.00	1KHz	257	0.72
GTSD53P-470	47.00	1KHz	352	0.62
GTSD53P-680	68.00	1KHz	525	0.51
GTSD53P-820	82.00	1KHz	770	0.48
GTSD53P-101	100.00	1KHz	801	0.43
GTSD53P-121	120.00	1KHz	850	0.34
GTSD53P-151	150.00	1KHz	1100	0.26
GTSD53P-181	180.00	1KHz	1190	0.24
GTSD53P-221	220.00	1KHz	1530	0.20

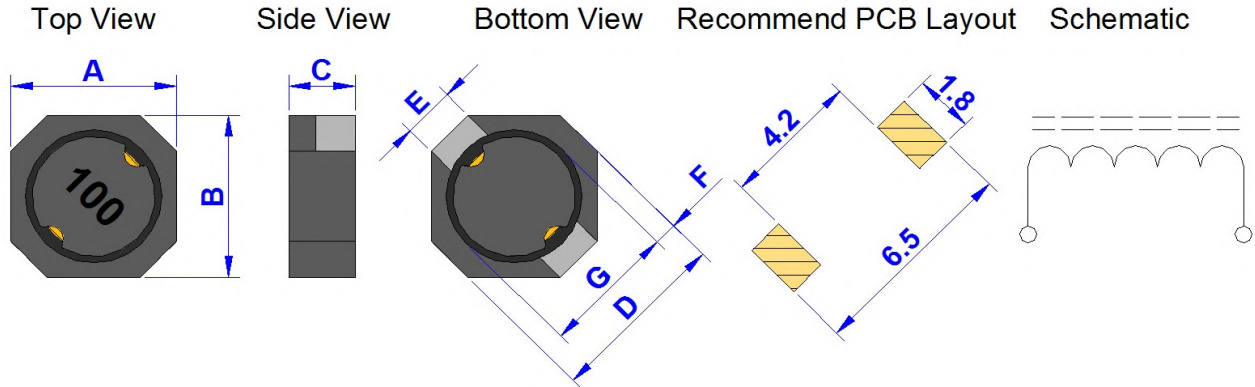
■ Tolerance : M = 20% , N = 30%

■ IDC : Base on L drop 35% Max. & Temp. rise up 40 deg.C Max.

Product Series : GTSD	Brand : GOTREND
File Version : GTSD-SERIES-V4R2	Editor : Teddy Sun
Established Date : 2009.09.01	Description : Ferrite Core Shielding SMD Choke
Latest Edit Date : 2020.11.06	Product Type : <input checked="" type="checkbox"/> Standard <input type="checkbox"/> Customize

GTSD53P-SERIES

Dimension [mm] :



Size	A(+/-0.3)	B(+/-0.3)	C(Max.)	D(+/-0.3)	E(Ref.)	F(Ref.)	G(Ref.)
53	5.00	5.00	3.00	5.50	1.60	0.50	4.20

Electrical Characteristics :

Part No.	L(uH) ± 20% (0.25V)	Test Frequency	DCR (mΩ) (Max.)	IDC (Amp) (Max.)
GTSD53P-331□	330.00	1KHz	2030	0.19
GTSD53P-471□	470.00	1KHz	3500	0.15
GTSD53P-222□	2200.0	1KHz	1900	0.05

■ Tolerance : M = 20% , N = 30%

■ IDC : Base on L drop 35% Max. & Temp. rise up 40 deg.C Max.

Product Series : GTV	Brand : GOTREND
File Version : GTV-SERIES-V1R7	Editor : Teddy Sun
Established Date : 2011.09.21	Description : SMD Power Inductor
Latest Edit Date : 2020.11.20	Product Type : <input checked="" type="checkbox"/> Standard <input type="checkbox"/> Customize

Features & Application :

- * SMD Powre Choke for High Current Capacity
- * Fit for power line & signal line circuit
- * To help you go pass the CE/FCC standard.
- * PC / IPC / Handheld Device / LowProfile Device / LCD...



(Picture for reference only)

Part No. Example :

PN	:	GTV	986480	P	[]	-	R10	K
-----		-----	-----	---	-----		-----	---
ID	:	1	2	3	4		5	6
1	:	GOTREND Series : GTV						
2	:	Dimension Code : 9.8 x 6.4 x 8.0 mm						
3	:	P = Pb free < 1000 ppm						
4	:	[R1 ~ R□] : Different DCR Spec.						
5	:	[L] Value Ex : R10 = 0.10 uH ; 72N = 0.72 uH						
6	:	Tolerance : K = 10%						

Basic Information :

Made in	China
Pin Foot	SMD
Shielding	Yes
J-STD-020	MSL Level 1
RoHS	Compliant
REACH	Compliant
Halogen	Free

Operating & Storage Condition :

- * Operating Temp -40 ~ +125 deg.C (Including self - temperature rise)
- * Storage Temp 1. -10 ~ +45 deg.C , 50 ~ 60% RH (Product with taping)
2. -40 ~ +125 deg.C (On board)
- * Storage Life Time 12 Month (Less than 40 deg.C and 60% RH)

Attention & Caution :

- * Keep out of Splashing water or salt water
- * Avoid Toxic Gas (Hydrogen sulfide, Sulfurous acid, Chlorine, Ammonia)
- * Avoid Vibrations or shocks which exceed the specified condition
- * Avoid Dew condense
- * Avoid Layout near the edge of PCB
- * Avoid Over flexure after SMT mounting & PCBA
- * Pin foot or SMD pad solderability: Pb free type is best within 6 months after delivery
- * Humidity sensitive , IPC/JEDEC J-STD-020 MSL if over Level 1, recommend bake 30mins@150 degree before PCBA
- * Caution for human life relative applications : PLS contact & consult with GOTREND team in design stage.

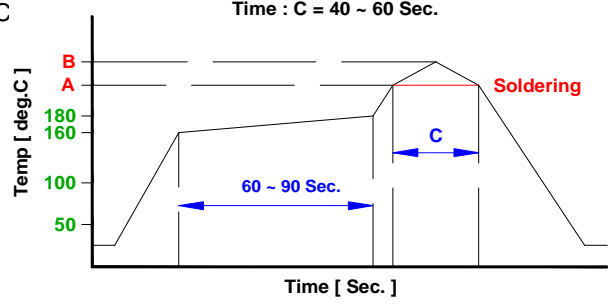


Test Condition :

- * Equipment HP4284A , HP42841A - L , Q , DCR , IDC
HP8753D Network analyzer - SRF
- * Standard Atmosphere Conditions:
Ambient Temperature 20 ± 15 deg.C
Humidity RH 65 ± 20%
- * If there may be any doubt on the test result ,
Measurement shall be made within the following limits:
Ambient Temperature 25 ± 5 deg.C
Humidity RH 75 ± 10%

Recommend IR Reflow Curve : GTX-IR-FILE001

Lead Free Solder : A = 217 deg.C , B = 245+/-5 deg.C
Time : C = 40 ~ 60 Sec.

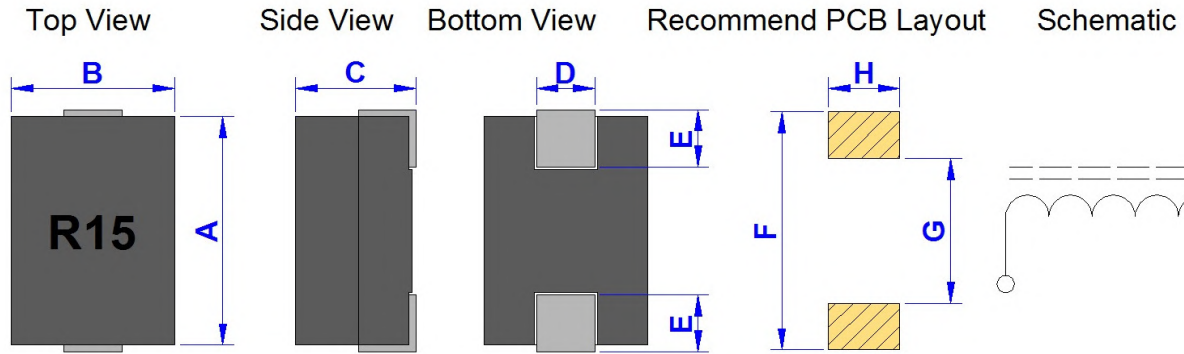


**Notice : Iron Soldering , Solder < 30 Watt ,
Direct touch the terminal x 3 Sec. Max. @ 350 deg.C**

Product Series : GTV	Brand : GOTREND
File Version : GTV-SERIES-V1R7	Editor : Teddy Sun
Established Date : 2011.09.21	Description : SMD Power Inductor
Latest Edit Date : 2020.11.20	Product Type : <input checked="" type="checkbox"/> Standard <input type="checkbox"/> Customize

GTV986480PR1-SERIES

Dimension [mm] :



Size	A (Max.)	B (Max.)	C (Max.)	D (+/-0.15)	E (+/-0.3)	F (Ref.)	G (Ref.)	H (Ref.)
986480	9.80	6.40	8.00	2.14	2.30	10.40	4.00	2.54

Electrical Characteristics :

Part No.	Inductance (nH)	Tolerance	Test Freq. (Hz)	DCR (m Ohm)	Isat (A) Max.	Irms (A) Max.
GTV986480PR1-R10K	100	+/-10%	100K / 0.1V	0.29 +/- 5%	94.0	51.0
GTV986480PR1-R12K	120	+/-10%	100K / 0.1V	0.29 +/- 5%	79.0	51.0
GTV986480PR1-R15K	150	+/-10%	100K / 0.1V	0.29 +/- 5%	65.0	51.0
GTV986480PR1-R22K	220	+/-10%	100K / 0.1V	0.29 +/- 5%	44.0	51.0
GTV986480PR1-R28K	280	+/-10%	100K / 0.1V	0.29 +/- 5%	34.0	51.0
GTV986480PR1-R30K	300	+/-10%	100K / 0.1V	0.29 +/- 5%	32.5	51.0

* All test data is referenced to 25 deg.C ambient.

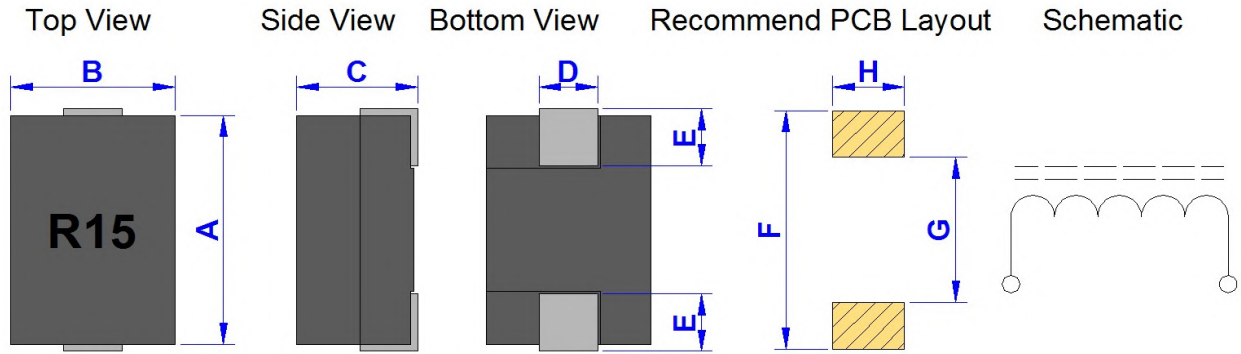
* Isat (A) current will cause L0 to drop approximately 20% (Keep quickly).

* Irms (A) current will cause coil temperature rise approximately up 40 deg.C without core loss (Keep 1.0 min.).

Product Series : GTV	Brand : GOTREND
File Version : GTV-SERIES-V1R7	Editor : Teddy Sun
Established Date : 2011.09.21	Description : SMD Power Inductor
Latest Edit Date : 2020.11.20	Product Type : <input checked="" type="checkbox"/> Standard <input type="checkbox"/> Customize

GTV107049PR1-SERIES

Dimension [mm] :



Size	A (Max.)	B (Max.)	C (Max.)	D (+/-0.2)	E (+/-0.2)	F (Ref.)	G (Ref.)	H (Ref.)
107049	10.40	7.00	4.95	2.50	1.52	10.35	6.35	3.10

Electrical Characteristics :

Part No.	Inductance (nH)	Tolerance	Test Freq. (Hz)	DCR (m Ohm)	Isat (A) Max.	Irms (A) Max.
GTV107049PR1-R08K	80	+/-10%	100K / 0.1V	0.39 +/- 7.5%	90.0	53.0
GTV107049PR1-R10K	100	+/-10%	100K / 0.1V	0.39 +/- 7.5%	73.0	53.0
GTV107049PR1-R12K	120	+/-10%	100K / 0.1V	0.39 +/- 7.5%	60.0	53.0
GTV107049PR1-R15K	150	+/-10%	100K / 0.1V	0.39 +/- 7.5%	47.0	53.0
GTV107049PR1-R22K	220	+/-10%	100K / 0.1V	0.39 +/- 7.5%	33.0	53.0

* All test data is referenced to 25 deg.C ambient.

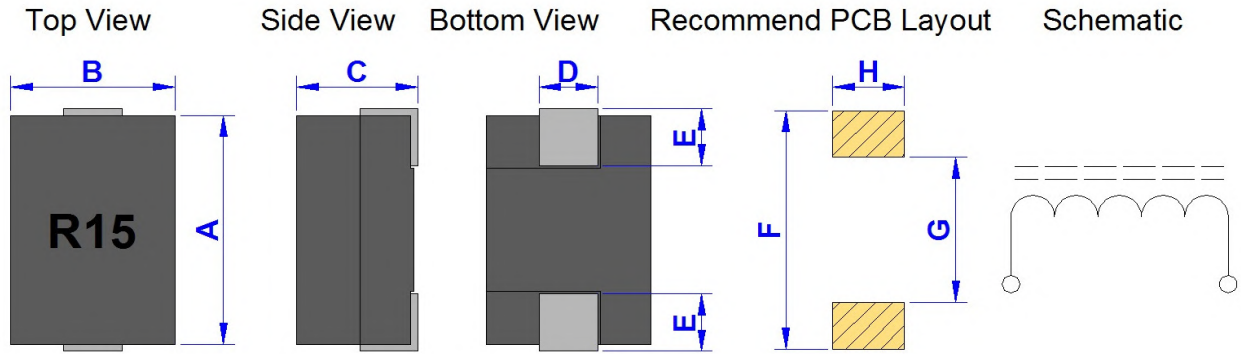
* Isat (A) current will cause L0 to drop approximately 20% (Keep quickly).

* Irms (A) current will cause coil temperature rise approximately up 40 deg.C without core loss (Keep 1.0 min.).

Product Series : GTV	Brand : GOTREND
File Version : GTV-SERIES-V1R7	Editor : Teddy Sun
Established Date : 2011.09.21	Description : SMD Power Inductor
Latest Edit Date : 2020.11.20	Product Type : <input checked="" type="checkbox"/> Standard <input type="checkbox"/> Customize

GTV107049PR2-SERIES

Dimension [mm] :



Size	A (Max.)	B (Max.)	C (Max.)	D (+/-0.2)	E (+/-0.2)	F (Ref.)	G (Ref.)	H (Ref.)
107049	10.40	7.00	4.95	2.50	1.52	10.35	6.35	3.10

Electrical Characteristics :

Part No.	Inductance (nH)	Tolerance	Test Freq. (Hz)	DCR (m Ohm)	Isat (A) Max.	Irms (A) Max.
GTV107049PR2-R08K	80	+/-10%	100K / 0.1V	0.47 +/- 6.5%	90.0	50.0
GTV107049PR2-R10K	100	+/-10%	100K / 0.1V	0.47 +/- 6.5%	73.0	50.0
GTV107049PR2-R12K	120	+/-10%	100K / 0.1V	0.47 +/- 6.5%	60.0	50.0
GTV107049PR2-R15K	150	+/-10%	100K / 0.1V	0.47 +/- 6.5%	47.0	50.0
GTV107049PR2-R22K	220	+/-10%	100K / 0.1V	0.47 +/- 6.5%	33.0	50.0

* All test data is referenced to 25 deg.C ambient.

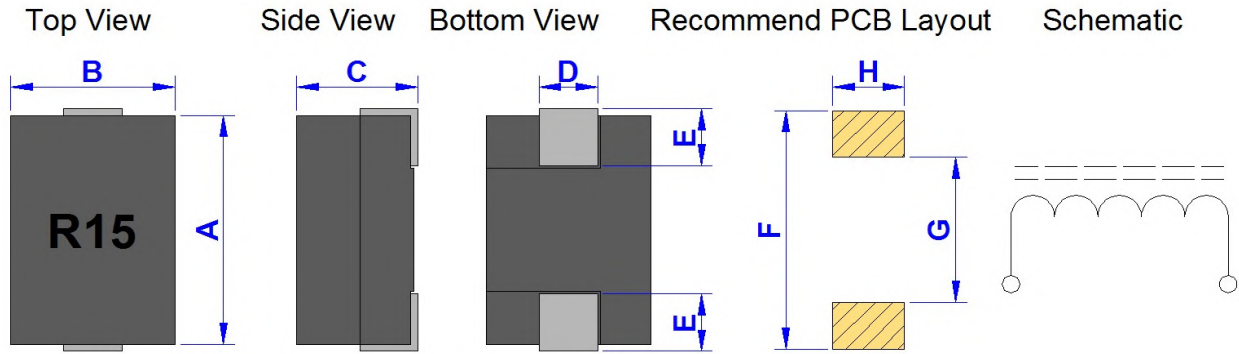
* Isat (A) current will cause L0 to drop approximately 20% (Keep quickly).

* Irms (A) current will cause coil temperature rise approximately up 40 deg.C without core loss (Keep 1.0 min.).

Product Series : GTV	Brand : GOTREND
File Version : GTV-SERIES-V1R7	Editor : Teddy Sun
Established Date : 2011.09.21	Description : SMD Power Inductor
Latest Edit Date : 2020.11.20	Product Type : <input checked="" type="checkbox"/> Standard <input type="checkbox"/> Customize

GTV107049PR3-SERIES

Dimension [mm] :



Size	A (Max.)	B (Max.)	C (Max.)	D (+/-0.2)	E (+/-0.2)	F (Ref.)	G (Ref.)	H (Ref.)
107049	10.40	7.00	4.95	2.50	1.52	10.35	6.35	3.10

Electrical Characteristics :

Part No.	Inductance (nH)	Tolerance	Test Freq. (Hz)	DCR (m Ohm)	Isat (A) Max.	Irms (A) Max.
GTV107049PR3-R08K	80	+/-10%	100K / 0.1V	0.55 +/- 5.4%	90.0	50.0
GTV107049PR3-R10K	100	+/-10%	100K / 0.1V	0.55 +/- 5.4%	73.0	50.0
GTV107049PR3-R12K	120	+/-10%	100K / 0.1V	0.55 +/- 5.4%	60.0	50.0
GTV107049PR3-R15K	150	+/-10%	100K / 0.1V	0.55 +/- 5.4%	47.0	50.0
GTV107049PR3-R22K	220	+/-10%	100K / 0.1V	0.55 +/- 5.4%	33.0	50.0

* All test data is referenced to 25 deg.C ambient.

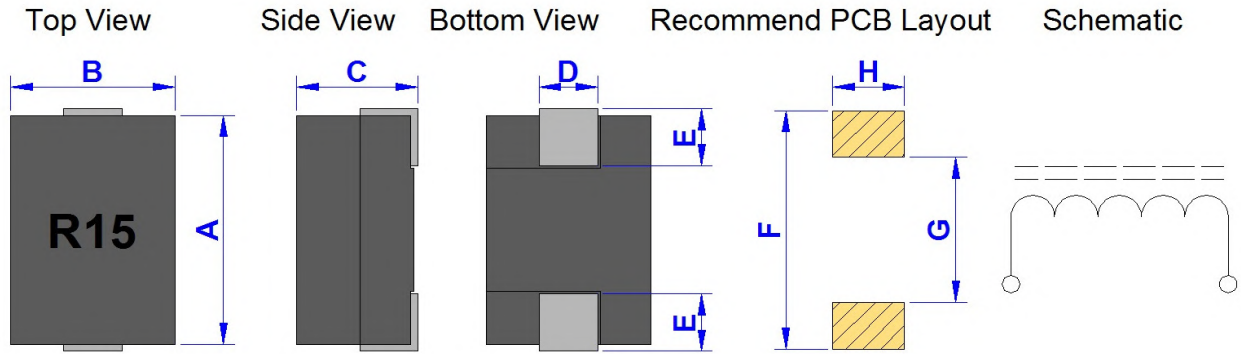
* Isat (A) current will cause L0 to drop approximately 20% (Keep quickly).

* Irms (A) current will cause coil temperature rise approximately up 40 deg.C without core loss (Keep 1.0 min.).

Product Series : GTV	Brand : GOTREND
File Version : GTV-SERIES-V1R7	Editor : Teddy Sun
Established Date : 2011.09.21	Description : SMD Power Inductor
Latest Edit Date : 2020.11.20	Product Type : <input checked="" type="checkbox"/> Standard <input type="checkbox"/> Customize

GTV107049PR4-SERIES

Dimension [mm] :



Size	A (Max.)	B (Max.)	C (Max.)	D (+/-0.2)	E (+/-0.2)	F (Ref.)	G (Ref.)	H (Ref.)
107049	10.40	7.00	4.95	2.50	1.52	10.35	6.35	3.10

Electrical Characteristics :

Part No.	Inductance (nH)	Tolerance	Test Freq. (Hz)	DCR (m Ohm)	Isat (A) Max.	Irms (A) Max.
GTV107049PR4-R08K	80	+/-10%	100K / 0.1V	0.31 +/- 7%	90.0	50.0
GTV107049PR4-R10K	100	+/-10%	100K / 0.1V	0.31 +/- 7%	73.0	50.0
GTV107049PR4-R12K	120	+/-10%	100K / 0.1V	0.31 +/- 7%	60.0	50.0
GTV107049PR4-R15K	150	+/-10%	100K / 0.1V	0.31 +/- 7%	47.0	50.0
GTV107049PR4-R22K	220	+/-10%	100K / 0.1V	0.31 +/- 7%	33.0	50.0

* All test data is referenced to 25 deg.C ambient.

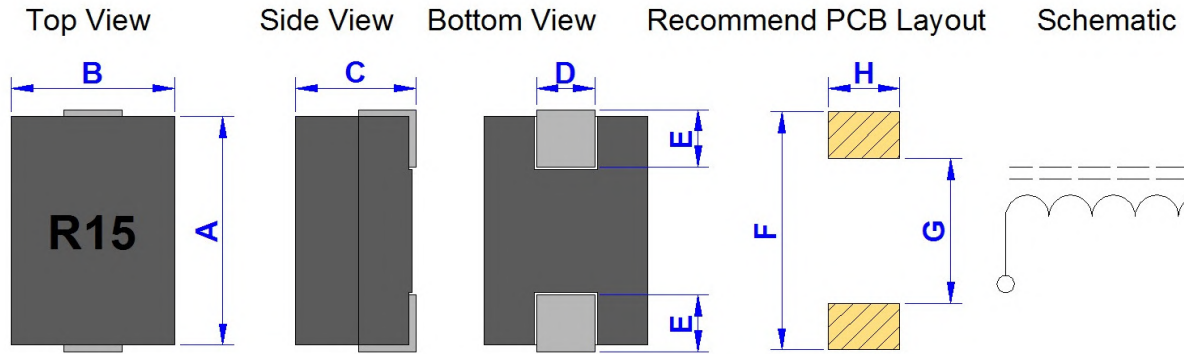
* Isat (A) current will cause L0 to drop approximately 20% (Keep quickly).

* Irms (A) current will cause coil temperature rise approximately up 40 deg.C without core loss (Keep 1.0 min.).

Product Series : GTV	Brand : GOTREND
File Version : GTV-SERIES-V1R7	Editor : Teddy Sun
Established Date : 2011.09.21	Description : SMD Power Inductor
Latest Edit Date : 2020.11.20	Product Type : <input checked="" type="checkbox"/> Standard <input type="checkbox"/> Customize

GTV108070PR1-SERIES

Dimension [mm] :



Size	A (Max.)	B (Max.)	C (Max.)	D (+/-0.15)	E (+/-0.2)	F (Ref.)	G (Ref.)	H (Ref.)
108070	10.60	8.00	7.00	2.10	2.20	11.00	5.00	2.60

Electrical Characteristics :

Part No.	Inductance (nH)	Tolerance	Test Freq. (Hz)	DCR (m Ohm)	Isat (A) Max.	Irms (A) Max.
GTV108070PR1-R12K	120	+/-10%	100K / 0.1V	0.29 +/- 5.0%	94.0	61.0
GTV108070PR1-R15K	150	+/-10%	100K / 0.1V	0.29 +/- 5.0%	75.0	61.0
GTV108070PR1-R18K	180	+/-10%	100K / 0.1V	0.29 +/- 5.0%	60.0	61.0
GTV108070PR1-R22K	220	+/-10%	100K / 0.1V	0.29 +/- 5.0%	50.0	61.0
GTV108070PR1-R27K	270	+/-10%	100K / 0.1V	0.29 +/- 5.0%	41.0	61.0
GTV108070PR1-R30K	300	+/-10%	100K / 0.1V	0.29 +/- 5.0%	35.0	61.0
GTV108070PR1-R33K	330	+/-10%	100K / 0.1V	0.29 +/- 5.0%	33.0	61.0
GTV108070PR1-R39K	390	+/-10%	100K / 0.1V	0.29 +/- 5.0%	28.0	61.0
GTV108070PR1-R47K	470	+/-10%	100K / 0.1V	0.29 +/- 5.0%	23.5	61.0

Product Series : GXRD	Brand : GOTREND
File Version : GXRD-SERIES-V1R2	Editor : Teddy Sun
Established Date : 2010.02.09	Description : SMD Shielded Power Inductor
Latest Edit Date : 2020.11.06	Product Type : <input checked="" type="checkbox"/> Standard <input type="checkbox"/> Customize

Features & Application :

- 1.Power supply PWM circuit input / output inductor
- 2.Power line noise suppression
- 3.DC-DC Converter
- 4.Shielding Structure for good in EMI effect
- 5.To help you go pass CE/FCC standard
- 6.TFT/ WiFi/ MobilePhone/ MP3/ PDA....etc. Application
- 7.Low Profile for all compact design



(Picture for reference only)

Part No. Example :

PN	:	GXRD	0715	P	-	3R3	M
-----		-----	-----	---		-----	----
ID	:	1	2	3		4	5
1	:	GOTREND Series Code					
2	:	Dimension Code : 0715 = (L) 7.3 x (W) 7.3 x (H) 1.5 mm					
3	:	RoHS Compliance					
4	:	Inductance : 3R3 = 3.3uH Ex: 100=10uH, 101=100uH					
5	:	Tolerance: M=20%, N=25%					


Basic Information :

Made in	China
Pin Foot	SMD
Shielding	Yes
J-STD-020	MSL Level 1
RoHS	Compliant
REACH	Compliant
Halogen	Free

Operating & Storage Condition :

- * Operating Temp -40 ~ +125 deg.C (Including self - temperature rise)
- * Storage Temp 1. -10 ~ +45 deg.C , 50 ~ 60% RH (Product with taping)
2. -40 ~ +125 deg.C (On board)
- * Storage Life Time 6 Month (Less than 40 deg.C and 60% RH)

Attention & Caution :

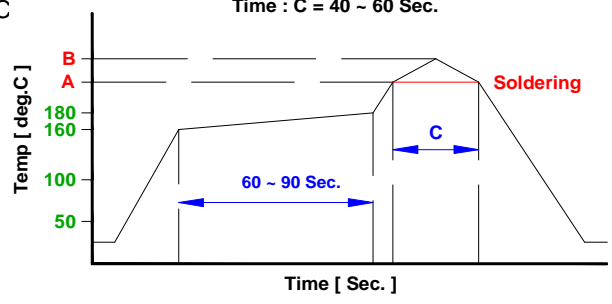
- * Keep out of Splashing water or salt water
- * Avoid Toxic Gas (Hydrogen sulfide, Sulfurous acid, Chlorine, Ammonia)
-  Vibrations or shocks which exceed the specified condition
- Dew condense
- Layout near the edge of PCB
- Over flexure after SMT mounting & PCBA
- * Pin foot or SMD pad solderability: Pb free type is best within 6 months after delivery
- * Humidity sensitive , IPC/JEDEC J-STD-020 MSL if over Level 1, recommend bake 30mins@150 degree before PCBA
- * Caution for human life relative applications : PLS contact & consult with GOTREND team in design stage.

Test Condition :

- * Equipment HP4284A , HP42841A - L , Q , DCR , IDC
HP8753D Network analyzer - SRF
- * Standard Atmosphere Conditions:
Ambient Temperature 20 ± 15 deg.C
Humidity RH 65 ± 20%
- * If there may be any doubt on the test result ,
Measurement shall be made within the following limits:
Ambient Temperature 25 ± 5 deg.C
Humidity RH 75 ± 10%

Recommend IR Reflow Curve : GTX-IR-FILE001

Lead Free Solder : A = 217 deg.C , B = 245+/-5 deg.C
Time : C = 40 ~ 60 Sec.

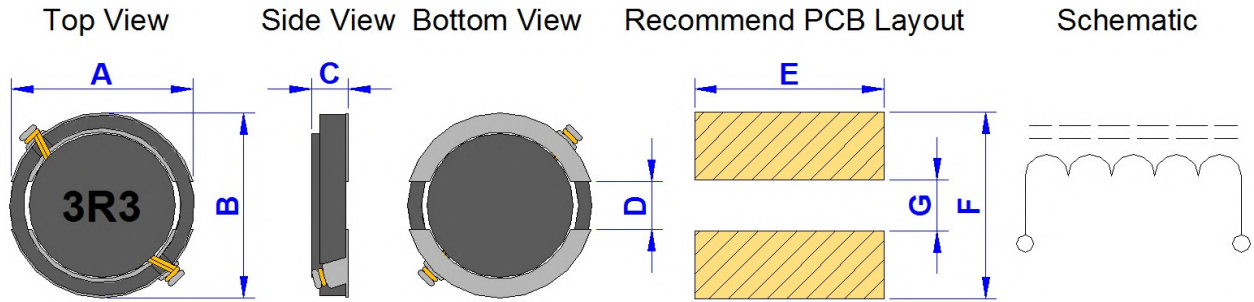


**Notice : Iron Soldering , Solder < 30 Watt ,
Direct touch the terminal x 3 Sec. Max. @ 350 deg.C**

Product Series : GXR	Brand : GOTREND
File Version : GXR-SERIES-V1R2	Editor : Teddy Sun
Established Date : 2010.02.09	Description : SMD Shielded Power Inductor
Latest Edit Date : 2020.11.06	Product Type : <input checked="" type="checkbox"/> Standard <input type="checkbox"/> Customize

GXR0715P-SERIES

Dimension [mm] :



Size	A(Max.)	B(Max.)	C(Max.)	D(Ref.)	E(Ref.)	F(Ref.)	G(Ref.)
0715	7.3	7.3	1.5	2.0	7.3	7.3	2.0

Electrical Characteristics :

Part No.	Inductance (uH)	L-Tolerance	DCR (m Ohm) Typ.	DCR (m Ohm) Max.	Isat (mA) Typ.	Irms (mA) Typ.
GXR0715P-2R7□	2.70	M	45.0	54.0	2400	2400
GXR0715P-3R3□	3.30	M	50.0	60.0	2100	2100
GXR0715P-4R7□	4.70	M	70.0	84.0	1700	1700
GXR0715P-6R8□	6.80	M	90.0	108.0	1500	1500
GXR0715P-100□	10.00	M	140.0	168.0	1250	1250
GXR0715P-150□	15.00	M	190.0	228.0	1050	1050
GXR0715P-220□	22.00	M	280.0	336.0	850	850
GXR0715P-470□	47.00	M	600.0	720.0	550	550
GXR0715P-680□	68.00	M	850.0	1020.0	500	500

■ Inductance test Freq. : 100KHz / 0.3V

■ L-Tolerance : M = 20%

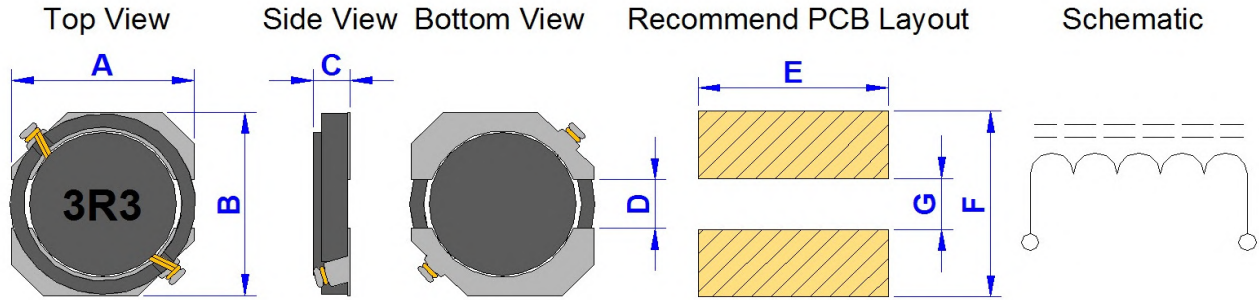
■ The saturation current value (Isat) is the DC current value having inductance decrease down to 30%. (at 20°C)

■ The temperature rise current value (Iirms) DC current value having temperature increase up to 40°C . (at 20°C)

Product Series : GXR	Brand : GOTREND
File Version : GXR-SERIES-V1R2	Editor : Teddy Sun
Established Date : 2010.02.09	Description : SMD Shielded Power Inductor
Latest Edit Date : 2020.11.06	Product Type : <input checked="" type="checkbox"/> Standard <input type="checkbox"/> Customize

GXR1015P-SERIES

Dimension [mm] :



Size	A(Max.)	B(Max.)	C(Max.)	D(Ref.)	E(Ref.)	F(Ref.)	G(Ref.)
1015	10.3	10.3	1.5	3.0	10.4	10.4	3.0

Electrical Characteristics :

Part No.	Inductance (uH)	L-Tolerance	DCR (m Ohm) Typ.	DCR (m Ohm) Max.	Isat (mA) Typ.	Irms (mA) Typ.
GXR1015P-2R7□	2.70	N	35.0	42.0	3600	3600
GXR1015P-3R3□	3.30	N	45.0	54.0	3400	3400
GXR1015P-4R7□	4.70	N	55.0	66.0	2900	2900
GXR1015P-6R8□	6.80	N	80.0	96.0	2300	2300
GXR1015P-100□	10.00	N	110.0	132.0	2000	2000
GXR1015P-220□	22.00	N	240.0	288.0	1400	1400
GXR1015P-470□	47.00	N	500.0	600.0	900	900

■ Inductance test Freq. : 100KHz / 0.3V

■ L-Tolerance : N = 25%

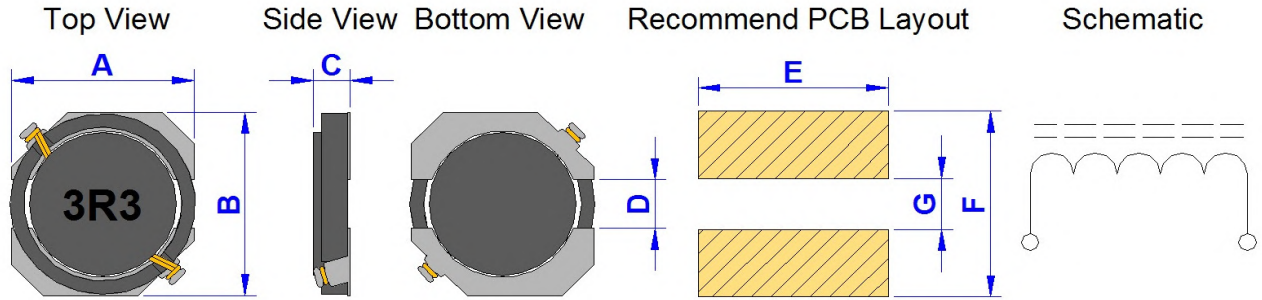
■ The saturation current value (Isat) is the DC current value having inductance decrease down to 30%. (at 20°C)

■ The temperature rise current value (Iirms) DC current value having temperature increase up to 40°C . (at 20°C)

Product Series : GXR	Brand : GOTREND
File Version : GXR-SERIES-V1R2	Editor : Teddy Sun
Established Date : 2010.02.09	Description : SMD Shielded Power Inductor
Latest Edit Date : 2020.11.06	Product Type : <input checked="" type="checkbox"/> Standard <input type="checkbox"/> Customize

GXR1024P-SERIES

Dimension [mm] :



Size	A(Max.)	B(Max.)	C(Max.)	D(Ref.)	E(Ref.)	F(Ref.)	G(Ref.)
1024	10.3	10.3	2.4	3.0	10.4	10.4	3.0

Electrical Characteristics :

Part No.	Inductance (uH)	L-Tolerance	DCR (m Ohm) Typ.	DCR (m Ohm) Max.	Isat (mA) Typ.	Irms (mA) Typ.
GXR1024P-2R7□	2.70	N	18.0	22.5	5000	3800
GXR1024P-3R3□	3.30	N	23.0	28.8	4400	3400
GXR1024P-4R7□	4.70	N	32.0	40.0	3700	3200
GXR1024P-6R8□	6.80	N	39.0	48.8	3300	3100
GXR1024P-100□	10.00	N	65.0	81.3	2700	2500
GXR1024P-150□	15.00	N	90.0	112.5	2250	2100
GXR1024P-220□	22.00	N	130.0	162.5	1850	1850
GXR1024P-330□	33.00	N	180.0	225.0	1500	1500
GXR1024P-470□	47.00	N	250.0	312.5	1270	1200

■ Inductance test Freq. : 100KHz / 0.3V

■ L-Tolerance : N = 25%

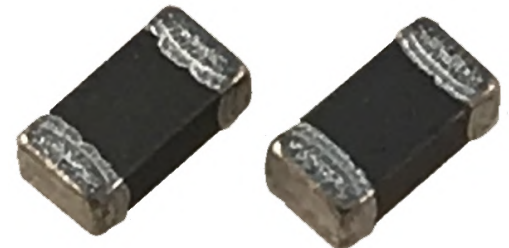
■ The saturation current value (Isat) is the DC current value having inductance decrease down to 30%. (at 20°C)

■ The temperature rise current value (I rms) DC current value having temperature increase up to 40°C . (at 20°C)

Product Series : GAM	Brand : GOTREND
File Version : GAM-SERIES-V1R4	Editor : Teddy Sun
Established Date : 2015.08.12	Description : Alloy Molding Inductor
Latest Edit Date : 2020.10.29	Product Type : <input checked="" type="checkbox"/> Standard <input type="checkbox"/> Customize

Features & Application :

- * Small size High saturation current .
- * For Portable device
- * Smartphone / Tablet PC
- * LTE module / Hard Disk of Ultrabook



(Picture for reference only)

Part No. Example :

PN	:	GAM	201610	P	A	-	1R0	M
-----		-----	-----	---	-----		----	---
ID	:	1	2	3	4		5	6
1	:	GOTREND Series Code						
2	:	Dimension Code : 201610 = (L) 2.0 x (W) 1.6 x (H) 1.0 mm						
3	:	RoHS Compliance						
4	:	Material Code						
5	:	Inductance : 1R0 = 1.0uH , Ex : 100 = 10uH						
6	:	Tolerance : M = 20%						

Basic Information :

Made in	China
Pin Foot	SMD
Shielding	Yes
J-STD-020	MSL Level 1
RoHS	Compliant
REACH	Compliant
Halogen	Free

Operating & Storage Condition :

- * Operating Temp -40 ~ +125 deg.C (Including self - temperature rise)
- * Storage Temp 1. -10 ~ +45 deg.C , 50 ~ 60% RH (Product with taping)
2. -40 ~ +125 deg.C (On board)
- * Storage Life Time 6 Month (Less than 40 deg.C and 60% RH)

Attention & Caution :

- * Keep out of Splashing water or salt water
- * Avoid Toxic Gas (Hydrogen sulfide, Sulfurous acid, Chlorine, Ammonia)
- * Avoid Vibrations or shocks which exceed the specified condition
- * Avoid Dew condense
- * Avoid Layout near the edge of PCB
- * Avoid Over flexure after SMT mounting & PCBA



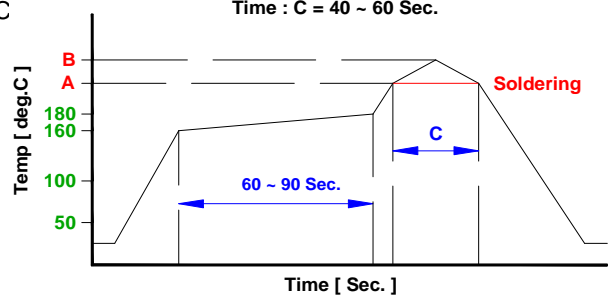
- * Pin foot or SMD pad solderability: Pb free type is best within 6 months after delivery
- * Humidity sensitive , IPC/JEDEC J-STD-020 MSL if over Level 1, recommend bake 30mins@150 degree before PCBA
- * Caution for human life relative applications : PLS contact & consult with GOTREND team in design stage.

Test Condition :

- * Equipment HP4284A , HP42841A - L , Q , DCR , IDC
HP8753D Network analyzer - SRF
- * Standard Atmosphere Conditions:
Ambient Temperature 20 ± 15 deg.C
Humidity RH 65 ± 20%
- * If there may be any doubt on the test result ,
Measurement shall be made within the following limits:
Ambient Temperature 25 ± 5 deg.C
Humidity RH 75 ± 10%

Recommend IR Reflow Curve : GTX-IR-FILE001

Lead Free Solder : A = 217 deg.C , B = 245+/-5 deg.C
Time : C = 40 ~ 60 Sec.

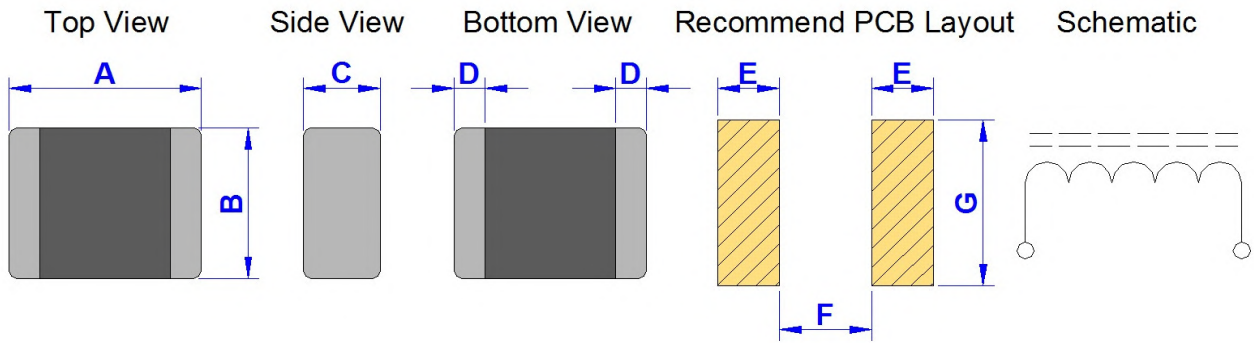


Notice : Iron Soldering , Solder < 30 Watt , Direct touch the terminal x 3 Sec. Max. @ 350 deg.C

Product Series : GAM	Brand : GOTREND
File Version : GAM-SERIES-V1R4	Editor : Teddy Sun
Established Date : 2015.08.12	Description : Alloy Molding Inductor
Latest Edit Date : 2020.10.29	Product Type : <input checked="" type="checkbox"/> Standard <input type="checkbox"/> Customize

GAM201608P-SERIES

Dimension [mm] :



Size	A (+/-0.2)	B (+/-0.2)	C (Max.)	D (+/-0.3)	E (Ref.)	F (Ref.)	G (Ref.)
201608	2.00	1.60	0.80	0.50	0.80	0.70	1.80

Electrical Characteristics :

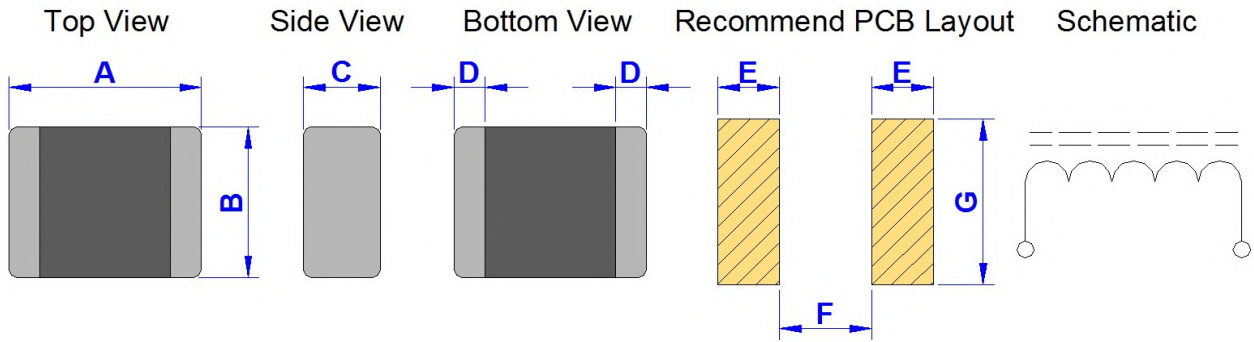
Part No.	Inductance (uH)	L-Tolerance	DCR (mΩ) Typ.	DCR (mΩ) Max.	Isat (mA) Typ.	Irms (mA) Typ.
GAM201608PA-1R0□	1.00	M	76.0	87.0	2800	2700
GAM201608PA-1R5□	1.50	M	102.0	115.0	2300	2400

- Inductance test Freq. : 2MHz / 0.2V
- L-Tolerance : M = 20%
- Isat : For Inductance drop 30% from its value without current.
- Irms : For a 40°C temprature rise from 25°C ambient.

Product Series : GAM	Brand : GOTREND
File Version : GAM-SERIES-V1R4	Editor : Teddy Sun
Established Date : 2015.08.12	Description : Alloy Molding Inductor
Latest Edit Date : 2020.10.29	Product Type : <input checked="" type="checkbox"/> Standard <input type="checkbox"/> Customize

GAM201610P-SERIES

Dimension [mm] :



Size	A (+/-0.2)	B (+/-0.2)	C (Max.)	D (+0.3)	E (Ref.)	F (Ref.)	G (Ref.)
201610	2.00	1.60	1.00	0.50	0.55	0.90	1.60

Electrical Characteristics :

Part No.	Inductance (uH)	L-Tolerance	DCR (mΩ) Typ.	DCR (mΩ) Max.	Isat (mA) Typ.	Irms (mA) Typ.
GAM201610PA-R24□	0.24	M	28.0	40.0	6000	4500
GAM201610PA-R33□	0.33	M	40.0	48.0	5500	3800
GAM201610PA-R47□	0.47	M	44.0	54.0	5000	3600
GAM201610PA-R56□	0.56	M	46.0	59.0	4600	3300
GAM201610PA-R68□	0.68	M	55.0	72.0	4200	3000
GAM201610PA-1R0□	1.00	M	81.0	96.0	3400	2300
GAM201610PA-1R5□	1.50	M	122.0	150.0	2800	2000
GAM201610PA-2R2□	2.20	M	170.0	204.0	2400	1600

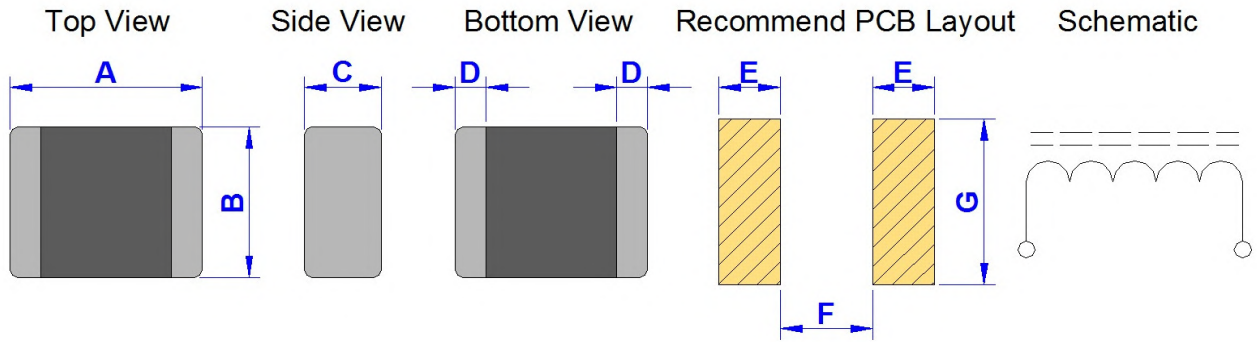
Part No.	Inductance (uH)	L-Tolerance	DCR (mΩ) Typ.	DCR (mΩ) Max.	Isat (mA) Typ.	Irms (mA) Typ.
GAM201610PB-R24□	0.24	M	23.0	30.0	6000	4400
GAM201610PB-R47□	0.47	M	34.0	41.0	4500	3300
GAM201610PB-R68□	0.68	M	44.0	53.0	3600	2900
GAM201610PB-1R0□	1.00	M	60.0	72.0	3200	2500
GAM201610PB-2R2□	2.20	M	142.0	170.0	2100	1700

- Inductance test Freq. : 2MHz / 0.2V
- L-Tolerance : M = 20%
- Isat : For Inductance drop 30% from its value without current.
- Irms : For a 40°C temprature rise from 25°C ambient.

Product Series : GAM	Brand : GOTREND
File Version : GAM-SERIES-V1R4	Editor : Teddy Sun
Established Date : 2015.08.12	Description : Alloy Molding Inductor
Latest Edit Date : 2020.10.29	Product Type : <input checked="" type="checkbox"/> Standard <input type="checkbox"/> Customize

GAM252010P-SERIES

Dimension [mm] :



Size	A (+/-0.2)	B (+/-0.2)	C (Max.)	D (+0.3)	E (Ref.)	F (Ref.)	G (Ref.)
252010	2.50	2.00	1.00	0.60	0.80	1.20	2.00

Electrical Characteristics :

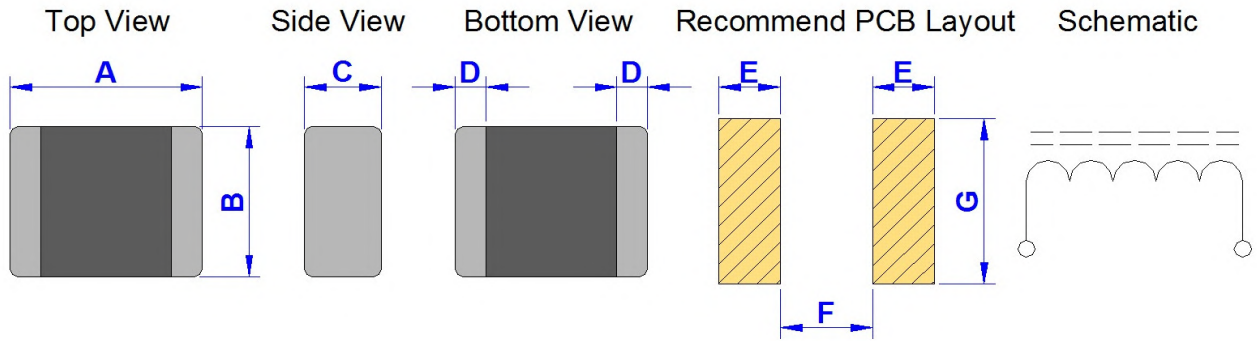
Part No.	Inductance (uH)	L-Tolerance	DCR (mΩ) Typ.	DCR (mΩ) Max.	Isat (mA) Typ.	Irms (mA) Typ.
GAM252010PB-R33□	0.33	M	25.0	31.0	6000	4400
GAM252010PB-R47□	0.47	M	29.0	35.0	4700	3900
GAM252010PB-R68□	0.68	M	40.0	48.0	4000	3500
GAM252010PB-1R0□	1.00	M	54.0	65.0	3600	3000
GAM252010PB-1R5□	1.50	M	78.0	94.0	3300	2400
GAM252010PB-2R2□	2.20	M	100.0	120.0	2700	2100

- Inductance test Freq. : 2MHz / 0.2V
- L-Tolerance : M = 20%
- Isat : For Inductance drop 30% from its value without current.
- Irms : For a 40°C temprature rise from 25°C ambient.

Product Series : GAM	Brand : GOTREND
File Version : GAM-SERIES-V1R4	Editor : Teddy Sun
Established Date : 2015.08.12	Description : Alloy Molding Inductor
Latest Edit Date : 2020.10.29	Product Type : <input checked="" type="checkbox"/> Standard <input type="checkbox"/> Customize

GAM252012P-SERIES

Dimension [mm] :



Size	A (+/-0.2)	B (+/-0.2)	C (Max.)	D (+0.3)	E (Ref.)	F (Ref.)	G (Ref.)
252012	2.50	2.00	1.20	0.60	0.80	1.20	2.00

Electrical Characteristics :

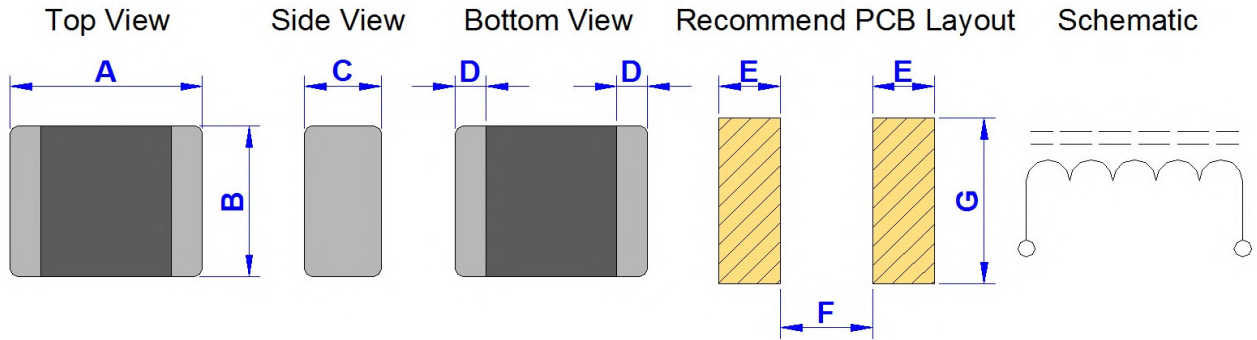
Part No.	Inductance (uH)	L-Tolerance	DCR (mΩ) Typ.	DCR (mΩ) Max.	Isat (mA) Typ.	Irms (mA) Typ.
GAM252012PL-R24Y	0.24	Y	16.0	21.0	9000	5400
GAM252012PL-R33M	0.33	M	20.0	24.0	7100	4800
GAM252012PL-R47M	0.47	M	24.0	29.0	6000	4500
GAM252012PL-R68M	0.68	M	27.0	36.0	5400	4000
GAM252012PL-1R0M	1.00	M	38.0	46.0	4600	3500
GAM252012PL-1R5M	1.50	M	56.0	67.0	3500	3000
GAM252012PL-2R2M	2.20	M	76.0	91.0	3100	2500

- Inductance test Freq. : 1MHz / 1.0V
- L-Tolerance : M = 20%
- Isat : For Inductance drop 30% from its value without current.
- Irms : For a 40°C temperature rise from 25°C ambient.

Product Series : GAM	Brand : GOTREND
File Version : GAM-SERIES-V1R4	Editor : Teddy Sun
Established Date : 2015.08.12	Description : Alloy Molding Inductor
Latest Edit Date : 2020.10.29	Product Type : <input checked="" type="checkbox"/> Standard <input type="checkbox"/> Customize

GAM322512P-SERIES

Dimension [mm] :



Size	A (+/-0.3)	B (+/-0.3)	C (Max.)	D (+/-0.3)	E (Ref.)	F (Ref.)	G (Ref.)
322512	3.20	2.50	1.20	0.50	0.75	1.70	2.50

Electrical Characteristics :

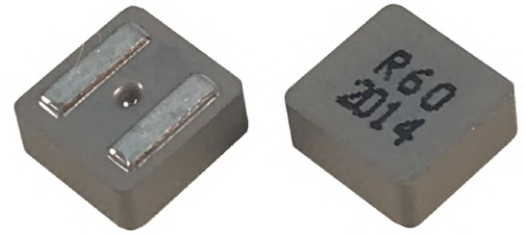
Part No.	Inductance (uH)	L-Tolerance	DCR (mΩ) Typ.	DCR (mΩ) Max.	Isat (mA) Typ.	Irms (mA) Typ.
GAM322512PA-R47□	0.47	M	21.0	27.0	9000	5800
GAM322512PA-1R0□	1.00	M	34.0	42.0	6300	4200
GAM322512PA-1R5□	1.50	M	58.0	68.0	4500	3200
GAM322512PA-2R2□	2.20	M	75.0	85.0	4000	2700

- Inductance test Freq. : 2MHz / 0.2V
- L-Tolerance : M = 20%
- Isat : For Inductance drop 30% from its value without current.
- Irms : For a 40°C temprature rise from 25°C ambient.

Product Series : GSFM	Brand : GOTREND
File Version : GSFM-SERIES-V1R1	Editor : Teddy Sun
Established Date : 2020.02.14	Description : High Current Inductor
Latest Edit Date : 2020.10.30	Product Type : <input checked="" type="checkbox"/> Standard <input type="checkbox"/> Customize

Features & Application :

- * Very low acoustic noise and very low leakage fluxnoise
- * Soft saturation
- * High current , low DCR , high efficiency
- * 100% lead (Pb) free meet RoHS standard
- * DC / DC converter for CPU in Notebook PC



(Picture for reference only)

Part No. Example :

PN	:	GSFM	4020	P	<input type="checkbox"/>	-	1R0	M
-----		-----	-----	---	---		-----	----
ID	:	1	2	3	4		5	6
1	:	GOTREND Series : GSFM						
2	:	Type Size Code : 4020 = 4.4 x 4.4 x 1.9 mm						
3	:	P = Pb free < 1000 ppm						
4	:	[L] : Low DCR electrical series						
5	:	[L] Value : Inductance 1R0 = 1.0 uH						
6	:	[L] Tolerance : M = +/-20%						

Basic Information :

Made in	China
Pin Foot	SMD
Shielding	Yes
J-STD-020	MSL Level 1
RoHS	Compliant
REACH	Compliant
Halogen	Free

Operating & Storage Condition :

- * Operating Temp -40 ~ +125 deg.C (Including self - temperature rise)
- * Storage Temp 1. -10 ~ +45 deg.C , 50 ~ 60% RH (Product with taping)
2. -40 ~ +125 deg.C (On board)
- * Storage Life Time 12 Month (Less than 40 deg.C and 60% RH)

Attention & Caution :

- * Keep out of Splashing water or salt water
- * Avoid Toxic Gas (Hydrogen sulfide, Sulfurous acid, Chlorine, Ammonia)
- * Avoid Vibrations or shocks which exceed the specified condition
- * Avoid Dew condense
- * Avoid Layout near the edge of PCB
- * Avoid Over flexure after SMT mounting & PCBA



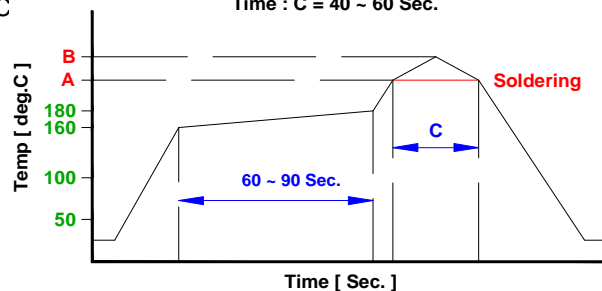
- * Pin foot or SMD pad solderability: Pb free type is best within 6 months after delivery
- * Humidity sensitive , IPC/JEDEC J-STD-020 MSL if over Level 1, recommend bake 30mins@150 degree before PCBA
- * Caution for human life relative applications : PLS contact & consult with GOTREND team in design stage.

Test Condition :

- * Equipment HP4284A , HP42841A - L , Q , DCR , IDC
HP8753D Network analyzer - SRF
- * Standard Atmosphere Conditions:
Ambient Temperature 20 ± 15 deg.C
Humidity RH 65 ± 20%
- * If there may be any doubt on the test result ,
Measurement shall be made within the following limits:
Ambient Temperature 25 ± 5 deg.C
Humidity RH 75 ± 10%

Recommend IR Reflow Curve : GTX-IR-FILE001

Lead Free Solder : A = 217 deg.C , B = 245+/-5 deg.C
Time : C = 40 ~ 60 Sec.

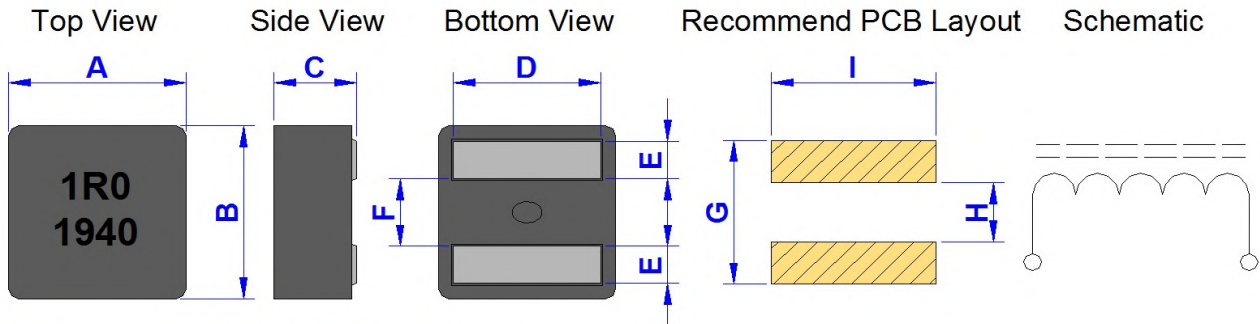


Notice : Iron Soldering , Solder < 30 Watt ,
Direct touch the terminal x 3 Sec. Max. @ 350 deg.C

Product Series : GSFM	Brand : GOTREND
File Version : GSFM-SERIES-V1R1	Editor : Teddy Sun
Established Date : 2020.02.14	Description : High Current Inductor
Latest Edit Date : 2020.10.30	Product Type : <input checked="" type="checkbox"/> Standard <input type="checkbox"/> Customize

GSFM4020P-SERIES

Dimension [mm] :



Marking : A. Inductance code & Date code
 (1) Year ex. 2020 = 20
 (2) Weekly serial number 01 ~ 52

Size	A	B	C	D	E	F	G(Ref.)	H(Ref.)	I(Ref.)
4020	4.4+/-0.2	4.4+/-0.2	1.9+/-0.2	3.4+/-0.3	0.88+/-0.2	1.6+/-0.25	3.4	1.4	3.8

Electrical Characteristics :

Part No.	Inductance (uH)	L-Tol.	DCR (m Ohm)		Isat (A)		Irms (A)Typ.	
			Typ.	Max.	Typ.	Max.	20°C	40°C
GSFM4020P-R10M	0.10	M	2.2	2.42	38.0	33.0	13.5	18.0
GSFM4020P-R22M	0.22	M	4.1	4.6	19.5	18.8	13.0	16.8
GSFM4020P-R33M	0.33	M	5.0	5.5	18.0	16.5	12.0	15.5
GSFM4020P-R36M	0.36	M	5.6	6.3	17.0	15.0	11.0	14.5
GSFM4020P-R40M	0.40	M	6.9	7.73	15.5	13.5	10.0	14.0
GSFM4020P-R47M	0.47	M	7.8	8.58	14.5	13.0	9.0	12.5
GSFM4020P-R56M	0.56	M	8.4	9.3	14.0	12.6	8.5	12.0
GSFM4020P-R60M	0.60	M	8.6	9.52	13.7	12.3	8.0	11.7
GSFM4020P-R72M	0.72	M	10.4	11.6	12.0	10.6	7.6	10.5
GSFM4020P-1R0M	1.00	M	13.3	14.6	9.6	8.8	6.8	9.6
GSFM4020P-1R2M	1.20	M	16.2	17.9	9.0	7.8	6.6	9.0
GSFM4020P-1R5M	1.50	M	21.0	23.5	8.0	7.4	5.8	7.6
GSFM4020P-1R8M	1.80	M	25.0	28.0	7.5	7.0	5.2	7.0
GSFM4020P-2R2M	2.20	M	35.2	38.7	6.5	6.0	4.6	5.6

* Test Condition @100KHz , 0.1Vrms , 25deg.C Ambient

* Inductance Tolerance : M = +/-20%

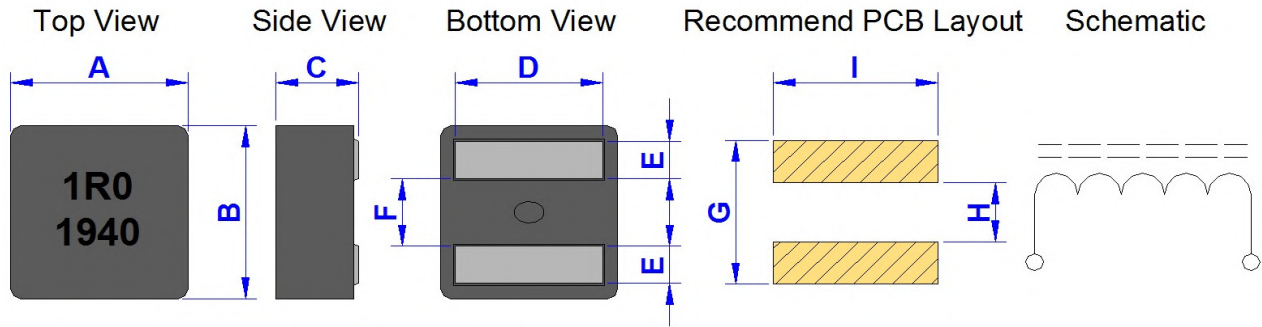
* Irms : Rated Current Loading when temperature rise approximately 40deg.C

* Isat : Saturated Current measured at the point of L drop approximately 30%

Product Series : GSFM	Brand : GOTREND
File Version : GSFM-SERIES-V1R1	Editor : Teddy Sun
Established Date : 2020.02.14	Description : High Current Inductor
Latest Edit Date : 2020.10.30	Product Type : <input checked="" type="checkbox"/> Standard <input type="checkbox"/> Customize

GSFM4020PL-SERIES

Dimension [mm] :



Marking : A. Inductance code & Date code
 (1) Year ex. 2020 = 20
 (2) Weekly serial number 01 ~ 52

Size	A	B	C	D	E	F	G(Ref.)	H(Ref.)	I(Ref.)
4020PL	4.4+/-0.2	4.4+/-0.2	1.9+/-0.2	3.4+/-0.3	0.88+/-0.2	1.6+/-0.25	3.4	1.4	3.8

Electrical Characteristics :

Part No.	Inductance (uH)	L-Tol.	DCR (m Ohm)		Isat (A)		Irms (A)Typ.	
			Typ.	Max.	Typ.	Max.	20°C	40°C
GSFM4020PL-R47M	0.47	M	6.0	6.8	14.0	12.5	9.8	13.2
GSFM4020PL-R56M	0.56	M	6.9	7.8	13.0	11.3	9.8	12.6
GSFM4020PL-R60M	0.60	M	6.9	7.8	12.8	11.1	9.4	12.4
GSFM4020PL-R68M	0.68	M	7.3	8.2	11.6	10.0	9.2	12.0
GSFM4020PL-R82M	0.82	M	8.6	9.5	10.2	9.0	8.5	11.5
GSFM4020PL-1R0M	1.00	M	10.6	11.7	9.2	8.0	8.0	11.0
GSFM4020PL-1R2M	1.20	M	12.2	13.4	8.6	7.5	7.2	9.5
GSFM4020PL-1R5M	1.50	M	14.4	15.8	7.5	6.7	6.7	9.1
GSFM4020PL-2R0M	2.00	M	21.15	23.3	6.2	5.0	6.2	8.2
GSFM4020PL-2R2M	2.20	M	21.35	23.5	6.0	4.8	6.0	8.0
GSFM4020PL-3R3M	3.30	M	34.2	38.3	5.3	4.4	4.4	5.5
GSFM4020PL-4R7M	4.70	M	52.0	57.2	4.0	3.5	3.8	5.1

* Test Condition @100KHz , 0.1Vrms , 25deg.C Ambient

* Inductance Tolerance : M = +/-20%

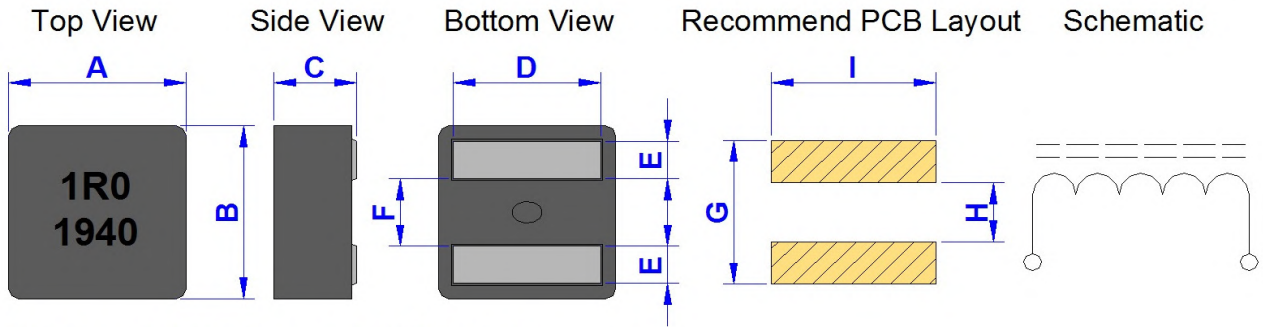
* Irms : Rated Current Loading when temperature rise approximately 40deg.C

* Isat : Saturated Current measured at the point of L drop approximately 30%

Product Series : GSFM	Brand : GOTREND
File Version : GSFM-SERIES-V1R1	Editor : Teddy Sun
Established Date : 2020.02.14	Description : High Current Inductor
Latest Edit Date : 2020.10.30	Product Type : <input checked="" type="checkbox"/> Standard <input type="checkbox"/> Customize

GSFM4030P-SERIES

Dimension [mm] :



Marking : A. Inductance code & Date code
 (1) Year ex. 2020 = 20
 (2) Weekly serial number 01 ~ 52

Size	A	B	C	D	E	F	G(Ref.)	H(Ref.)	I(Ref.)
4030	4.4+/-0.2	4.4+/-0.2	2.8+/-0.2	3.4+/-0.3	0.88+/-0.2	1.6+/-0.25	3.4	1.4	3.8

Electrical Characteristics :

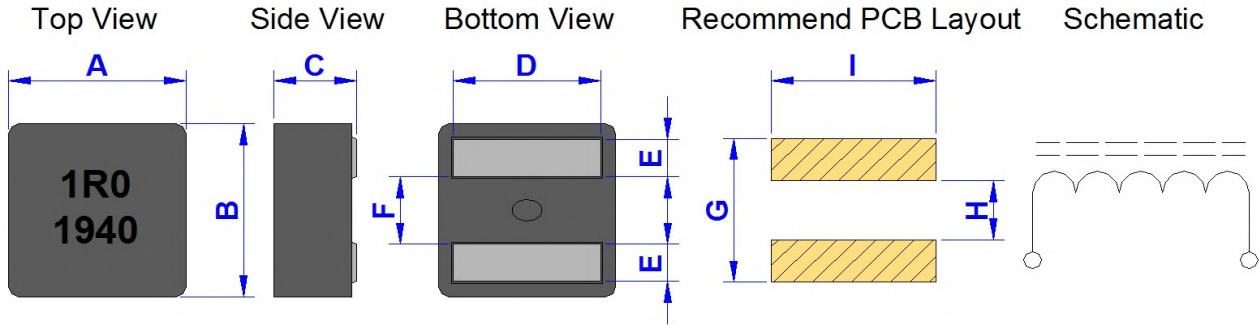
Part No.	Inductance (uH)	L-Tol.	DCR (m Ohm)		Isat (A)		Irms (A)Typ.	
			Typ.	Max.	Typ.	Max.	20°C	40°C
GSFM4030P-R47M	0.47	M	6.6	7.26	17.0	15.0	10.0	14.0
GSFM4030P-1R0M	1.00	M	11.6	12.76	10.0	9.0	7.0	10.0
GSFM4030P-2R2M	2.20	M	18.9	20.8	7.0	6.2	5.5	7.2

- * Test Condition @100KHz , 0.1Vrms , 25deg.C Ambient
- * Inductance Tolerance : M = +/-20%
- * Irms : Rated Current Loading when temperature rise approximately 40deg.C
- * Isat : Saturated Current measured at the point of L drop approximately 30%

Product Series : GSFM	Brand : GOTREND
File Version : GSFM-SERIES-V1R1	Editor : Teddy Sun
Established Date : 2020.02.14	Description : High Current Inductor
Latest Edit Date : 2020.10.30	Product Type : <input checked="" type="checkbox"/> Standard <input type="checkbox"/> Customize

GSFM4030PL-SERIES

Dimension [mm] :



Marking : A. Inductance code & Date code
 (1) Year ex. 2020 = 20
 (2) Weekly serial number 01 ~ 52

Size	A	B	C	D	E	F	G(Ref.)	H(Ref.)	I(Ref.)
4030PL	4.4+/-0.2	4.4+/-0.2	2.8+/-0.2	3.4+/-0.3	0.88+/-0.2	1.6+/-0.25	3.4	1.4	3.8

Electrical Characteristics :

Part No.	Inductance (uH)	L-Tol.	DCR (m Ohm)		Isat (A)		I _{rms} (A)Typ.	
			Typ.	Max.	Typ.	Max.	20°C	40°C
GSFM4030PL-R90M	0.9	M	9.1	10.1	10.0	9.0	8.2	11.2
GSFM4030PL-1R0M	1.0	M	9.1	10.1	9.8	9.2	8.0	11.0
GSFM4030PL-1R2M	1.2	M	10.4	11.5	9.2	8.7	7.8	9.8
GSFM4030PL-1R5M	1.5	M	12.0	13.2	8.0	7.0	7.0	9.0
GSFM4030PL-2R2M	2.2	M	20.5	22.6	7.0	6.1	6.0	7.8
GSFM4030PL-3R3M	3.3	M	26.0	28.6	6.2	5.3	5.0	6.6
GSFM4030PL-4R7M	4.7	M	40.1	44.1	5.5	4.8	3.9	5.1
GSFM4030PL-6R8M	6.8	M	67.4	74.1	4.6	4.2	3.1	4.0

* Test Condition @100KHz , 0.1V_{rms} , 25deg.C Ambient

* Inductance Tolerance : M = +/-20%

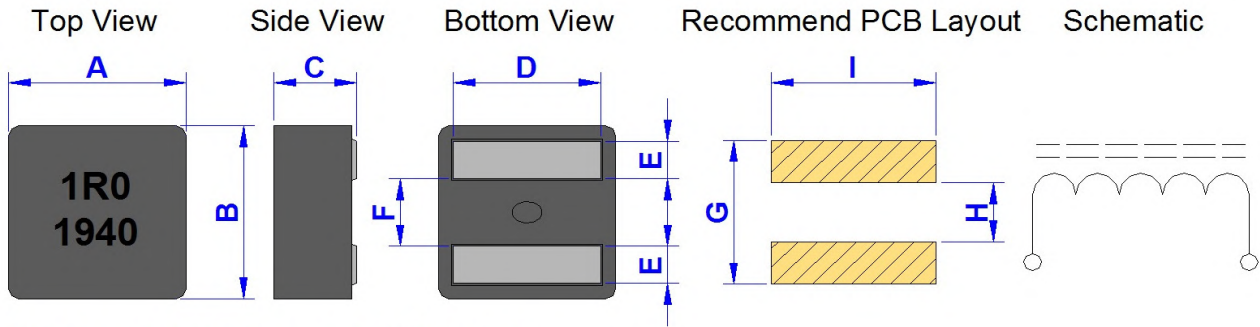
* I_{rms} : Rated Current Loading when temperature rise approximately 40deg.C

* Isat : Saturated Current measured at the point of L drop approximately 30%

Product Series : GSFM	Brand : GOTREND
File Version : GSFM-SERIES-V1R1	Editor : Teddy Sun
Established Date : 2020.02.14	Description : High Current Inductor
Latest Edit Date : 2020.10.30	Product Type : <input checked="" type="checkbox"/> Standard <input type="checkbox"/> Customize

GSFM4040P-SERIES

Dimension [mm] :



Marking : A. Inductance code & Date code
 (1) Year ex. 2020 = 20
 (2) Weekly serial number 01 ~ 52

Size	A	B	C	D	E	F	G(Ref.)	H(Ref.)	I(Ref.)
4040	4.4+/-0.2	4.4+/-0.2	3.8+/-0.2	3.4+/-0.3	0.88+/-0.2	1.6+/-0.25	3.4	1.4	3.8

Electrical Characteristics :

Part No.	Inductance (uH)	L-Tol.	DCR (m Ohm)		Isat (A)		Irms (A)Typ.	
			Typ.	Max.	Typ.	Max.	20°C	40°C
GSFM4040P-R47M	0.47	M	5.2	5.72	13.5	12.5	12.0	15.0
GSFM4040P-R68M	0.68	M	6.8	7.5	12.0	11.0	10.0	12.5
GSFM4040P-1R0M	1.00	M	8.7	9.57	11.0	10.0	8.5	11.5
GSFM4040P-1R5M	1.50	M	16.2	18.0	9.5	8.5	7.0	8.0
GSFM4040P-1R8M	1.80	M	17.5	19.3	8.0	7.5	6.0	7.3
GSFM4040P-2R0M	2.00	M	19.0	21.0	7.5	7.0	5.7	7.0
GSFM4040P-2R2M	2.20	M	19.0	21.0	7.3	6.8	5.5	6.8
GSFM4040P-3R3M	3.30	M	28.5	31.5	6.8	6.3	5.0	6.0

* Test Condition @100KHz , 0.1Vrms , 25deg.C Ambient

* Inductance Tolerance : M = +/-20%

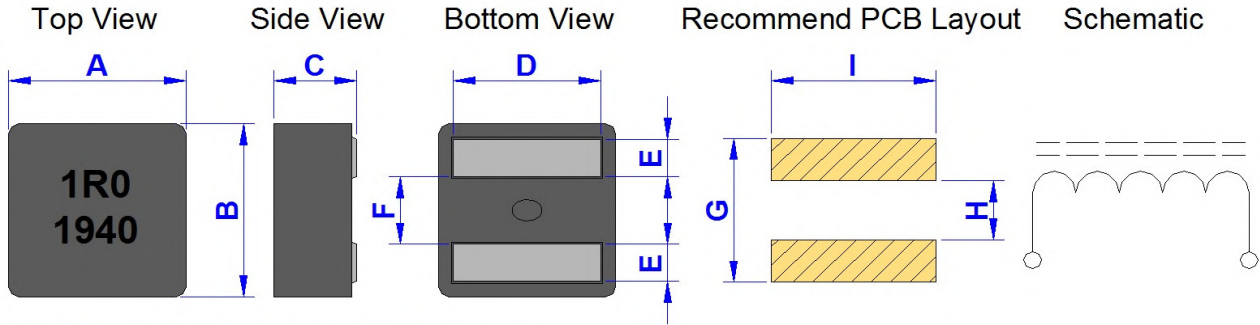
* Irms : Rated Current Loading when temperature rise approximately 40deg.C

* Isat : Saturated Current measured at the point of L drop approximately 30%

Product Series : GSFM	Brand : GOTREND
File Version : GSFM-SERIES-V1R1	Editor : Teddy Sun
Established Date : 2020.02.14	Description : High Current Inductor
Latest Edit Date : 2020.10.30	Product Type : <input checked="" type="checkbox"/> Standard <input type="checkbox"/> Customize

GSFM5020P-SERIES

Dimension [mm] :



Marking : A. Inductance code & Date code
 (1) Year ex. 2020 = 20
 (2) Weekly serial number 01 ~ 52

Size	A	B	C	D	E	F	G(Ref.)	H(Ref.)	I(Ref.)
5020	6.0+/-0.2	5.7+/-0.2	1.9+/-0.2	4.3+/-0.3	1.1+/-0.2	2.3+/-0.25	4.5	2.0	4.7

Electrical Characteristics :

Part No.	Inductance (uH)	L-Tol.	DCR (m Ohm)		Isat (A)		Irms (A)Typ.	
			Typ.	Max.	Typ.	Max.	20°C	40°C
GSFM5020P-R15M	0.15	M	4.0	4.6	30.0	27.0	13.9	18.8
GSFM5020P-R16M	0.16	M	4.0	4.6	30.0	27.0	13.9	18.8
GSFM5020P-R33M	0.33	M	6.1	7.0	26.0	24.0	10.5	14.4
GSFM5020P-R47M	0.47	M	7.0	8.05	22.0	20.0	10.1	14.1
GSFM5020P-R56M	0.56	M	8.7	9.54	19.0	16.0	9.9	13.9
GSFM5020P-R68M	0.68	M	8.9	10.2	16.0	14.0	9.6	13.4
GSFM5020P-R80M	0.80	M	10.3	11.8	15.5	13.5	9.4	13.0
GSFM5020P-R82M	0.82	M	11.0	12.7	15.0	13.0	8.5	12.0
GSFM5020P-1R0M	1.00	M	12.0	13.8	14.5	12.8	7.5	10.5
GSFM5020P-1R2M	1.20	M	14.2	16.3	14.0	12.2	6.8	9.4
GSFM5020P-1R5M	1.50	M	16.2	18.7	13.3	11.7	6.4	8.8

* Test Condition @100KHz , 0.1Vrms , 25deg.C Ambient

* Inductance Tolerance : M = +/-20%

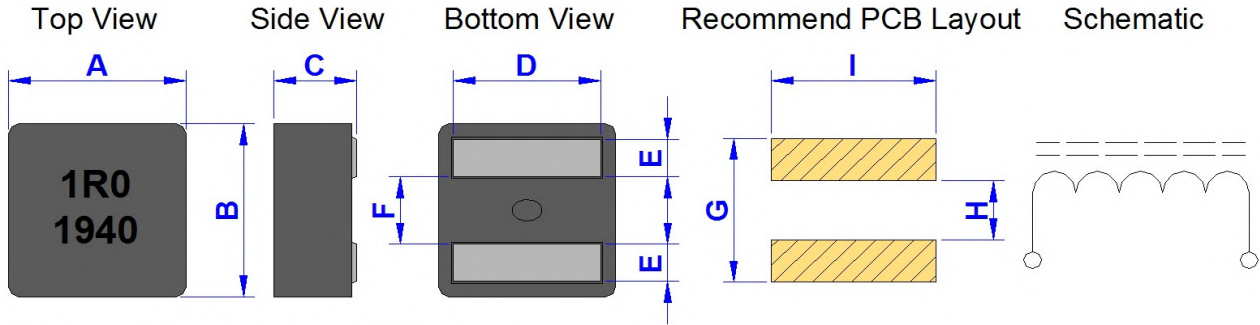
* Irms : Rated Current Loading when temperature rise approximately 40deg.C

* Isat : Saturated Current measured at the point of L drop approximately 30%

Product Series : GSFM	Brand : GOTREND
File Version : GSFM-SERIES-V1R1	Editor : Teddy Sun
Established Date : 2020.02.14	Description : High Current Inductor
Latest Edit Date : 2020.10.30	Product Type : <input checked="" type="checkbox"/> Standard <input type="checkbox"/> Customize

GSFM5030P-SERIES

Dimension [mm] :



Marking : A. Inductance code & Date code
 (1) Year ex. 2020 = 20
 (2) Weekly serial number 01 ~ 52

Size	A	B	C	D	E	F	G(Ref.)	H(Ref.)	I(Ref.)
5030	6.0+/-0.2	5.7+/-0.2	2.9+/-0.2	4.3+/-0.3	1.1+/-0.2	2.3+/-0.25	4.5	2.0	4.7

Electrical Characteristics :

Part No.	Inductance (uH)	L-Tol.	DCR (m Ohm)		Isat (A)		Irms (A)Typ.	
			Typ.	Max.	Typ.	Max.	20°C	40°C
GSFM5030P-R15M	0.15	M	2.1	2.31	36.0	32.5	14.3	22.2
GSFM5030P-R16M	0.16	M	2.12	2.33	35.0	32.0	14.2	22.2
GSFM5030P-R28M	0.28	M	3.0	3.3	32.0	28.0	14.0	19.0
GSFM5030P-R33M	0.33	M	3.2	3.52	28.0	26.0	13.8	19.2
GSFM5030P-R47M	0.47	M	3.75	4.13	26.0	24.0	13.7	18.4
GSFM5030P-R56M	0.56	M	4.05	4.52	22.2	20.2	13.6	17.7
GSFM5030P-R60M	0.60	M	4.11	4.52	22.0	20.0	13.6	17.7
GSFM5030P-R80M	0.80	M	5.14	5.65	20.0	18.0	10.1	13.1
GSFM5030P-R82M	0.82	M	5.25	5.78	19.7	17.6	9.9	12.9
GSFM5030P-1R0M	1.00	M	6.9	7.6	16.5	14.3	9.0	12.2
GSFM5030P-1R2M	1.20	M	8.8	9.7	15.0	13.5	8.5	11.0
GSFM5030P-1R5M	1.50	M	10.1	11.2	14.0	12.5	8.0	10.5
GSFM5030P-1R8M	1.80	M	11.5	12.7	12.3	11.3	7.6	10.1
GSFM5030P-2R2M	2.20	M	13.2	14.5	10.0	9.0	7.2	9.7
GSFM5030P-3R3M	3.30	M	21.0	23.1	9.5	8.7	5.9	8.1
GSFM5030P-4R7M	4.70	M	33.0	36.3	8.2	7.0	4.3	5.9

* Test Condition @100KHz , 0.1Vrms , 25deg.C Ambient

* Inductance Tolerance : M = +/-20%

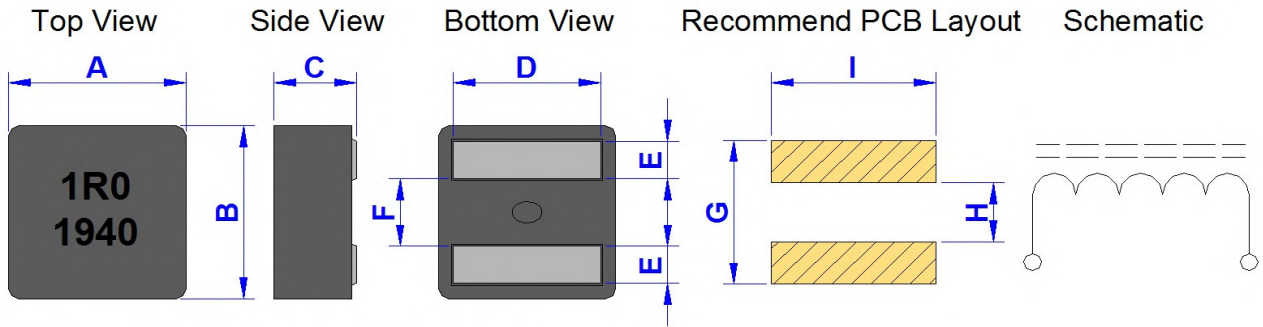
* Irms : Rated Current Loading when temperature rise approximately 40deg.C

* Isat : Saturated Current measured at the point of L drop approximately 30%

Product Series : GSFM	Brand : GOTREND
File Version : GSFM-SERIES-V1R1	Editor : Teddy Sun
Established Date : 2020.02.14	Description : High Current Inductor
Latest Edit Date : 2020.10.30	Product Type : <input checked="" type="checkbox"/> Standard <input type="checkbox"/> Customize

GSFM5030PL-SERIES

Dimension [mm] :



Marking : A. Inductance code & Date code
 (1) Year ex. 2020 = 20
 (2) Weekly serial number 01 ~ 52

Size	A	B	C	D	E	F	G(Ref.)	H(Ref.)	I(Ref.)
5030PL	6.0+/-0.2	5.7+/-0.2	2.9+/-0.2	By Item	1.1+/-0.2	2.3+/-0.25	4.5	2.0	4.7

Electrical Characteristics :

Part No.	Inductance (uH)	L-Tol.	DCR (m Ohm)		Isat (A)		Irms (A)Typ.		Size D (mm) +/-0.3
			Typ.	Max.	Typ.	Max.	20°C	40°C	
GSFM5030PL-R56M	0.56	M	3.2	3.8	9.0	8.7	14.6	21.0	4.5
GSFM5030PL-R60M	0.60	M	3.9	4.3	8.8	8.1	14.0	18.0	4.5
GSFM5030PL-2R2M	2.20	M	10.5	12.0	4.3	4.0	8.2	11.5	4.3
GSFM5030PL-5R6M	5.60	M	31.0	34.1	3.5	3.2	4.3	5.9	4.3

* Test Condition @100KHz , 0.1Vrms , 25deg.C Ambient

* Inductance Tolerance : M = +/-20%

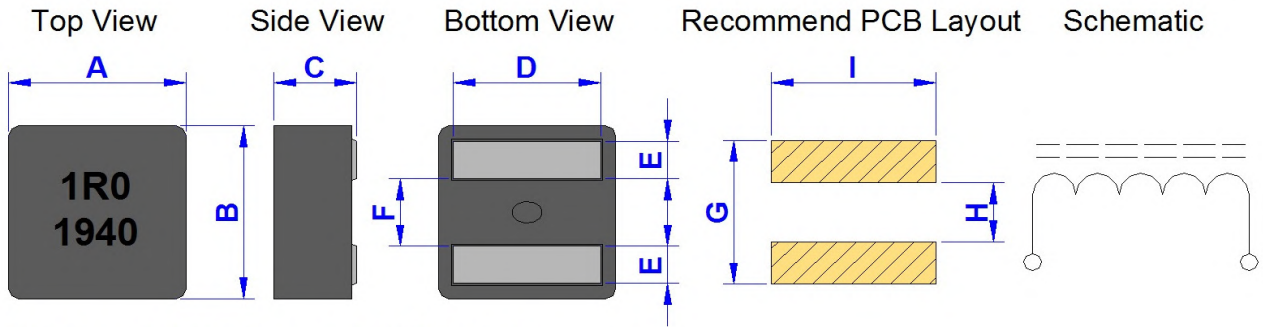
* Irms : Rated Current Loading when temperature rise approximately 40deg.C

* Isat : Saturated Current measured at the point of L drop approximately 30%

Product Series : GSFM	Brand : GOTREND
File Version : GSFM-SERIES-V1R1	Editor : Teddy Sun
Established Date : 2020.02.14	Description : High Current Inductor
Latest Edit Date : 2020.10.30	Product Type : <input checked="" type="checkbox"/> Standard <input type="checkbox"/> Customize

GSFM5050PL-SERIES

Dimension [mm] :



Marking : A. Inductance code & Date code
 (1) Year ex. 2020 = 20
 (2) Weekly serial number 01 ~ 52

Size	A	B	C	D	E	F	G(Ref.)	H(Ref.)	I(Ref.)
5050PL	6.0+/-0.2	5.7+/-0.2	4.8+/-0.2	4.3+/-0.3	1.1+/-0.2	2.3+/-0.25	4.5	2.0	4.7

Electrical Characteristics :

Part No.	Inductance (uH)	L-Tol.	DCR (m Ohm)		Isat (A)		I _{rms} (A)Typ.	
			Typ.	Max.	Typ.	Max.	20°C	40°C
GSFM5050PL-5R6M	5.6	M	22.0	24.2	8.6	7.2	5.3	7.2
GSFM5050PL-6R8M	6.8	M	26.0	28.6	7.8	6.6	4.8	6.4
GSFM5050PL-8R2M	8.2	M	29.5	32.5	7.2	6.1	4.6	6.1
GSFM5050PL-100M	10.0	M	39.0	43.0	6.5	5.4	3.8	5.0
GSFM5050PL-150M	15.0	M	60.0	66.0	5.5	4.6	3.0	4.0
GSFM5050PL-220M	22.0	M	90.6	99.65	5.0	4.1	2.5	3.4

* Test Condition @100KHz , 0.1V_{rms} , 25deg.C Ambient

* Inductance Tolerance : M = +/-20%

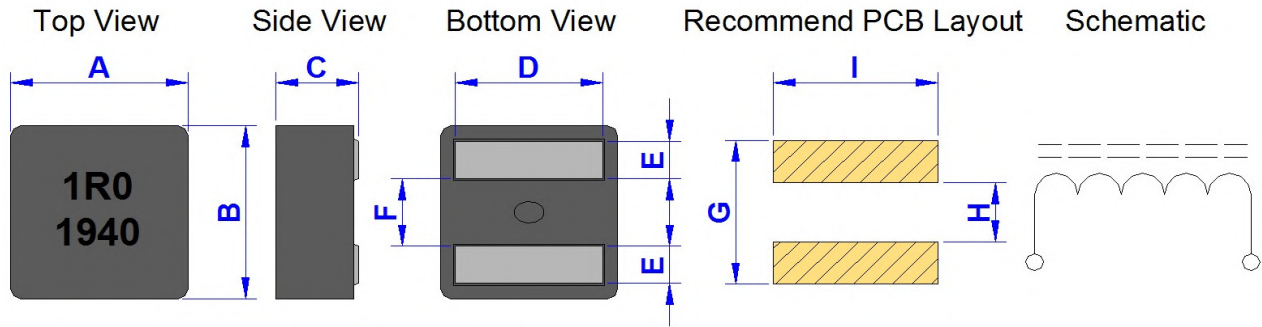
* I_{rms} : Rated Current Loading when temperature rise approximately 40deg.C

* Isat : Saturated Current measured at the point of L drop approximately 30%

Product Series : GSFM	Brand : GOTREND
File Version : GSFM-SERIES-V1R1	Editor : Teddy Sun
Established Date : 2020.02.14	Description : High Current Inductor
Latest Edit Date : 2020.10.30	Product Type : <input checked="" type="checkbox"/> Standard <input type="checkbox"/> Customize

GSFM6030P-SERIES

Dimension [mm] :



Marking : A. Inductance code & Date code
 (1) Year ex. 2020 = 20
 (2) Weekly serial number 01 ~ 52

Size	A	B	C	D	E	F	G(Ref.)	H(Ref.)	I(Ref.)
6030	7.2+/-0.2	6.9+/-0.2	By Item	By Item	1.4+/-0.2	2.6+/-0.25	5.6	2.5	5.6

Electrical Characteristics :

Part No.	Inductance (uH)	Inductance Tolerance	DCR (m Ohm)		Isat (A)		Irms (A)Typ.		Size C (mm)	Size D (mm)
			Typ.	Max.	Typ.	Max.	20°C	40°C	+/-0.3	+/-0.3
GSFM6030P-R18M	0.18	M	1.6	1.75	40.0	36.0	24.0	32.0	2.8	5.3
GSFM6030P-R33M	0.33	M	2.25	2.5	32.0	28.0	20.0	25.0	2.8	5.55
GSFM6030P-R56M	0.56	M	3.0	3.31	29.0	25.0	17.0	22.0	2.8	5.3
GSFM6030P-R68M	0.68	M	4.7	5.17	25.0	21.0	15.0	20.0	2.8	5.3
GSFM6030P-1R0M	1.00	M	5.5	6.05	23.0	18.0	13.0	18.0	2.8	5.2
GSFM6030P-1R2M	1.20	M	6.7	7.4	22.0	16.0	12.0	16.0	2.8	5.15
GSFM6030P-1R5M	1.50	M	8.3	9.13	20.0	15.5	11.0	15.0	2.9	5.15
GSFM6030P-1R8M	1.80	M	9.2	10.2	18.2	13.0	10.0	14.0	2.9	5.1
GSFM6030P-2R2M	2.20	M	11.0	12.2	15.9	11.0	7.0	10.0	2.9	5.05
GSFM6030P-3R3M	3.30	M	18.8	20.8	12.2	9.0	6.0	8.0	2.9	5.0
GSFM6030P-4R5M	4.50	M	23.0	25.3	10.0	8.0	5.0	7.0	2.9	5.0

* Test Condition @100KHz , 0.1Vrms , 25deg.C Ambient

* Inductance Tolerance : M = +/-20%

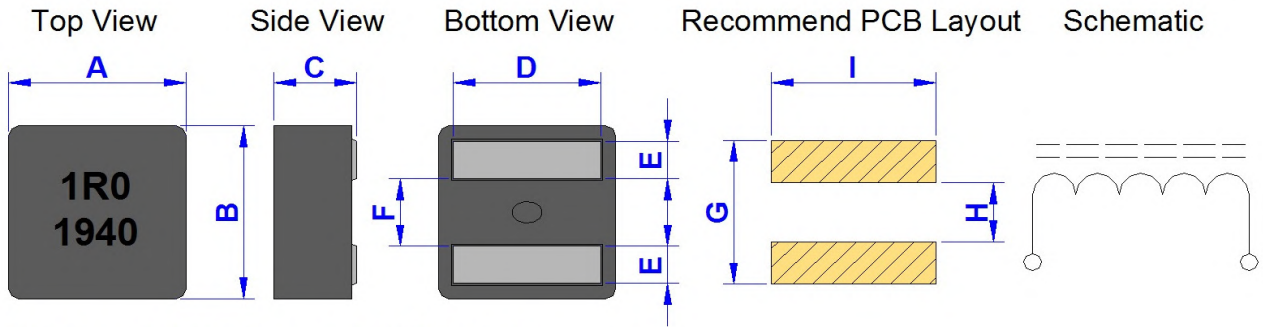
* Irms : Rated Current Loading when temperature rise approximately 40deg.C

* Isat : Saturated Current measured at the point of L drop approximately 30%

Product Series : GSFM	Brand : GOTREND
File Version : GSFM-SERIES-V1R1	Editor : Teddy Sun
Established Date : 2020.02.14	Description : High Current Inductor
Latest Edit Date : 2020.10.30	Product Type : <input checked="" type="checkbox"/> Standard <input type="checkbox"/> Customize

GSFM6040P-SERIES

Dimension [mm] :



Marking : A. Inductance code & Date code
 (1) Year ex. 2020 = 20
 (2) Weekly serial number 01 ~ 52

Size	A	B	C	D	E	F	G(Ref.)	H(Ref.)	I(Ref.)
6040	7.2+/-0.2	6.9+/-0.2	3.8+/-0.2	By Item	1.4+/-0.2	2.6+/-0.25	5.6	2.5	5.6

Electrical Characteristics :

Part No.	Inductance (uH)	L-Tol.	DCR (m Ohm)		Isat (A)		Irms (A)Typ.		Size D (mm) +/-0.3
			Typ.	Max.	Typ.	Max.	20°C	40°C	
GSFM6040P-R47M	0.47	M	2.6	2.86	31.0	27.0	19.0	24.0	5.5
GSFM6040P-R68M	0.68	M	3.6	3.96	26.0	22.0	16.0	20.5	5.5
GSFM6040P-1R0M	1.00	M	4.9	5.39	23.0	18.0	14.0	19.0	5.2
GSFM6040P-1R5M	1.50	M	6.4	7.04	17.0	13.0	12.0	16.0	5.2
GSFM6040P-2R2M	2.20	M	10.6	11.7	15.9	11.5	8.0	11.0	5.0
GSFM6040P-3R3M	3.30	M	14.1	15.5	12.3	9.6	7.0	9.2	5.0
GSFM6040P-4R7M	4.70	M	21.0	23.1	10.2	8.0	6.0	7.8	5.0
GSFM6040P-5R6M	5.60	M	25.5	28.1	9.8	7.8	5.0	6.7	5.0

* Test Condition @100KHz , 0.1Vrms , 25deg.C Ambient

* Inductance Tolerance : M = +/-20%

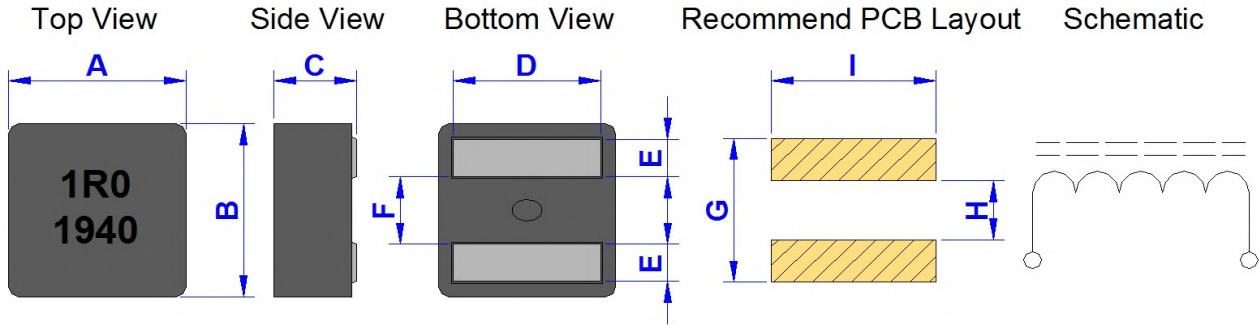
* Irms : Rated Current Loading when temperature rise approximately 40deg.C

* Isat : Saturated Current measured at the point of L drop approximately 30%

Product Series : GSFM	Brand : GOTREND
File Version : GSFM-SERIES-V1R1	Editor : Teddy Sun
Established Date : 2020.02.14	Description : High Current Inductor
Latest Edit Date : 2020.10.30	Product Type : <input checked="" type="checkbox"/> Standard <input type="checkbox"/> Customize

GSFM6050P-SERIES

Dimension [mm] :



Marking : A. Inductance code & Date code
 (1) Year ex. 2020 = 20
 (2) Weekly serial number 01 ~ 52

Size	A	B	C	D	E	F	G(Ref.)	H(Ref.)	I(Ref.)
6050	7.2+/-0.2	6.9+/-0.2	4.8+/-0.2	By Item	1.4+/-0.2	2.6+/-0.25	5.6	2.5	5.6

Electrical Characteristics :

Part No.	Inductance (uH)	L-Tol.	DCR (m Ohm)		Isat (A)		Irms (A)Typ.		Size D (mm) +/-0.3
			Typ.	Max.	Typ.	Max.	20°C	40°C	
GSFM6050P-R82M	0.82	M	3.8	4.18	24.0	20.0	16.0	21.0	5.3
GSFM6050P-1R0M	1.00	M	4.1	4.52	23.0	18.0	15.0	20.0	5.3
GSFM6050P-1R2M	1.20	M	5.3	5.83	22.0	16.0	14.0	18.0	5.3
GSFM6050P-1R5M	1.50	M	5.7	6.3	19.5	14.5	13.0	17.0	5.3
GSFM6050P-1R8M	1.80	M	6.4	7.1	18.5	13.5	12.0	16.0	5.3
GSFM6050P-2R2M	2.20	M	7.7	8.5	16.0	12.0	10.0	13.0	5.2
GSFM6050P-3R3M	3.30	M	11.2	12.5	12.5	10.0	8.5	11.0	5.2
GSFM6050P-4R3M	4.30	M	15.1	16.2	11.0	8.5	7.0	9.0	5.2
GSFM6050P-4R7M	4.70	M	16.7	18.4	10.5	8.0	6.5	8.5	5.2
GSFM6050P-5R6M	5.60	M	20.0	22.0	10.0	8.3	5.7	7.0	5.2
GSFM6050P-6R8M	6.80	M	23.1	25.4	9.0	7.0	5.2	6.6	5.2
GSFM6050P-8R2M	8.20	M	28.6	31.5	8.0	6.8	4.5	6.2	5.2

* Test Condition @100KHz , 0.1Vrms , 25deg.C Ambient

* Inductance Tolerance : M = +/-20%

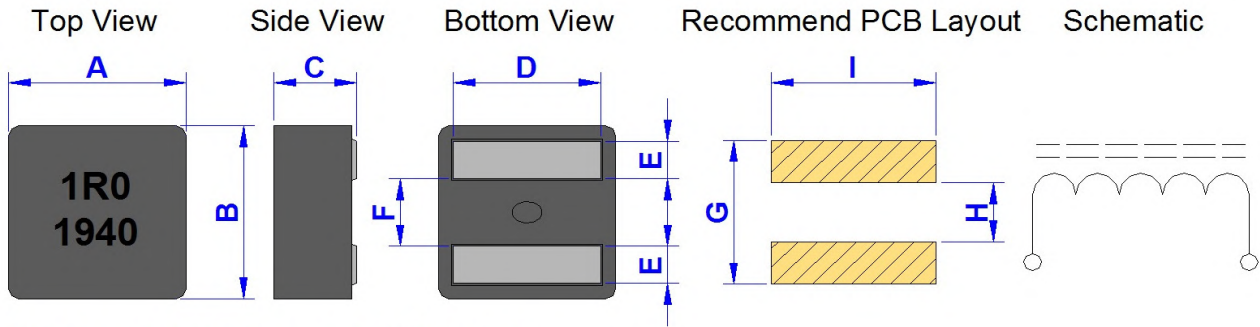
* Irms : Rated Current Loading when temperature rise approximately 40deg.C

* Isat : Saturated Current measured at the point of L drop approximately 30%

Product Series : GSFM	Brand : GOTREND
File Version : GSFM-SERIES-V1R1	Editor : Teddy Sun
Established Date : 2020.02.14	Description : High Current Inductor
Latest Edit Date : 2020.10.30	Product Type : <input checked="" type="checkbox"/> Standard <input type="checkbox"/> Customize

GSFM6060P-SERIES

Dimension [mm] :



Marking : A. Inductance code & Date code
 (1) Year ex. 2020 = 20
 (2) Weekly serial number 01 ~ 52

Size	A	B	C	D	E	F	G(Ref.)	H(Ref.)	I(Ref.)
6060	7.2+/-0.2	6.9+/-0.2	5.8+/-0.2	5.3+/-0.3	1.4+/-0.2	2.6+/-0.25	5.6	2.5	5.6

Electrical Characteristics :

Part No.	Inductance (uH)	L-Tol.	DCR (m Ohm)		Isat (A)		Irms (A)Typ.	
			Typ.	Max.	Typ.	Max.	20°C	40°C
GSFM6060P-1R0M	1.0	M	4.0	4.4	24.0	19.0	16.0	21.0
GSFM6060P-1R5M	1.5	M	5.5	6.1	20.0	15.0	13.5	17.5
GSFM6060P-2R2M	2.2	M	7.3	8.1	16.5	12.5	11.0	14.0
GSFM6060P-3R3M	3.3	M	11.1	12.3	13.0	11.0	9.0	12.0
GSFM6060P-4R7M	4.7	M	15.1	16.2	11.5	9.5	8.5	11.0
GSFM6060P-5R6M	5.6	M	18.2	20.0	10.6	9.1	7.6	10.0
GSFM6060P-6R8M	6.8	M	21.0	23.2	9.8	8.7	7.0	9.0
GSFM6060P-8R2M	8.2	M	26.2	28.9	8.6	7.5	5.0	7.0
GSFM6060P-100M	10.0	M	33.0	36.3	7.5	6.3	4.0	5.8

* Test Condition @100KHz , 0.1Vrms , 25deg.C Ambient

* Inductance Tolerance : M = +/-20%

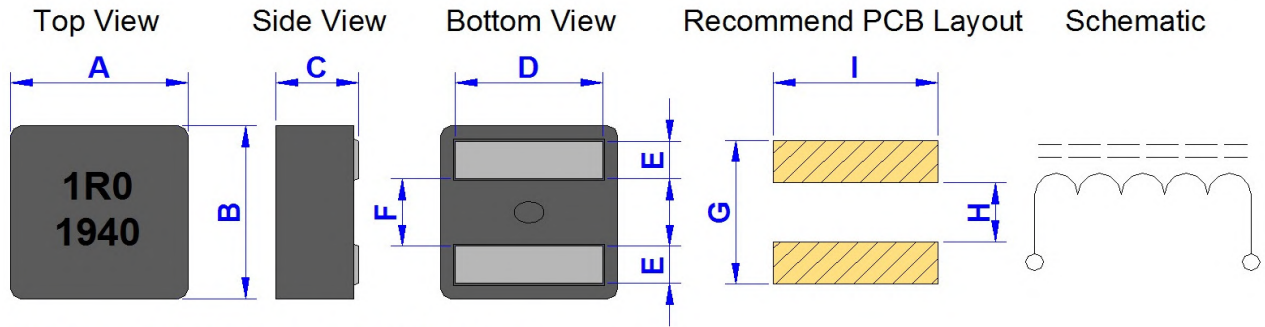
* Irms : Rated Current Loading when temperature rise approximately 40deg.C

* Isat : Saturated Current measured at the point of L drop approximately 30%

Product Series : GSFM	Brand : GOTREND
File Version : GSFM-SERIES-V1R1	Editor : Teddy Sun
Established Date : 2020.02.14	Description : High Current Inductor
Latest Edit Date : 2020.10.30	Product Type : <input checked="" type="checkbox"/> Standard <input type="checkbox"/> Customize

GSFM6060PL-SERIES

Dimension [mm] :



Marking : A. Inductance code & Date code
 (1) Year ex. 2020 = 20
 (2) Weekly serial number 01 ~ 52

Size	A	B	C	D	E	F	G(Ref.)	H(Ref.)	I(Ref.)
6060PL	7.2+/-0.2	6.9+/-0.2	5.8+/-0.2	5.3+/-0.3	1.4+/-0.2	2.6+/-0.25	5.6	2.5	5.6

Electrical Characteristics :

Part No.	Inductance (uH)	L-Tol.	DCR (m Ohm)		Isat (A)		Irms (A)Typ.	
			Typ.	Max.	Typ.	Max.	20°C	40°C
GSFM6060PL-1R0M	1.0	M	3.9	4.29	18.0	16.0	15.0	19.0
GSFM6060PL-1R5M	1.5	M	5.1	5.61	16.0	14.0	13.0	16.0
GSFM6060PL-2R2M	2.2	M	7.0	7.8	14.0	12.0	11.0	14.0
GSFM6060PL-3R3M	3.3	M	11.0	12.1	11.5	10.5	9.0	12.0
GSFM6060PL-4R7M	4.7	M	13.1	14.4	10.5	9.5	8.0	11.0
GSFM6060PL-5R6M	5.6	M	14.3	15.8	10.0	9.0	7.5	10.0
GSFM6060PL-6R8M	6.8	M	18.9	20.8	9.2	8.7	7.0	9.0
GSFM6060PL-8R2M	8.2	M	22.5	24.8	8.5	8.0	6.0	8.0
GSFM6060PL-100M	10.0	M	26.6	29.3	7.6	6.8	5.0	7.0
GSFM6060PL-150M	15.0	M	39.0	43.0	5.8	5.2	4.5	6.0
GSFM6060PL-220M	22.0	M	55.0	60.5	5.6	5.0	3.8	5.0

* Test Condition @100KHz , 0.1Vrms , 25deg.C Ambient

* Inductance Tolerance : M = +/-20%

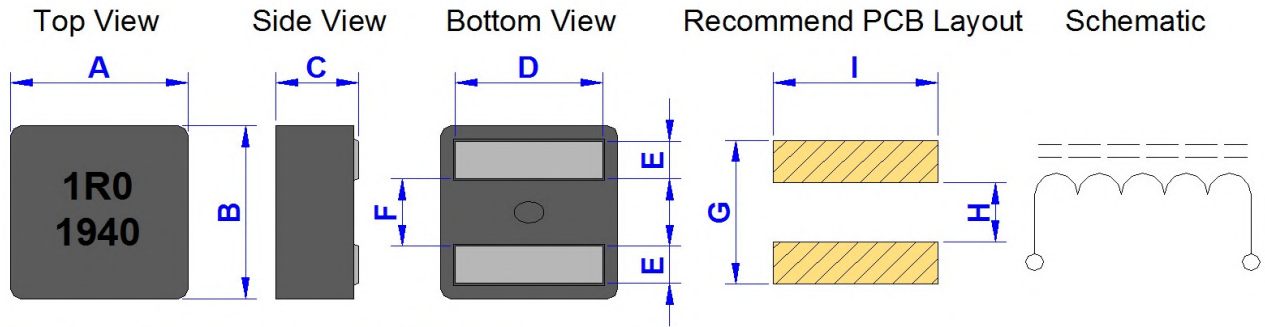
* Irms : Rated Current Loading when temperature rise approximately 40deg.C

* Isat : Saturated Current measured at the point of L drop approximately 30%

Product Series : GSFM	Brand : GOTREND
File Version : GSFM-SERIES-V1R1	Editor : Teddy Sun
Established Date : 2020.02.14	Description : High Current Inductor
Latest Edit Date : 2020.10.30	Product Type : <input checked="" type="checkbox"/> Standard <input type="checkbox"/> Customize

GSFM7020P-SERIES

Dimension [mm] :



Marking : A. Inductance code & Date code
 (1) Year ex. 2020 = 20
 (2) Weekly serial number 01 ~ 52

Size	A	B	C	D	E	F	G(Ref.)	H(Ref.)	I(Ref.)
7020	8.4+/-0.3	8.0+/-0.3	1.85+/-0.2	By Item	1.75+/-0.2	3.15+/-0.25	7.4	2.8	7.2

Electrical Characteristics :

Part No.	Inductance (uH)	L-Tol.	DCR (m Ohm)		Isat (A)		Irms (A)Typ.		Size D (mm) +/-0.3
			Typ.	Max.	Typ.	Max.	20°C	40°C	
GSFM7020P-R27M	0.27	M	2.9	3.5	35.0	32.0	16.0	21.0	6.6
GSFM7020P-R31M	0.31	M	4.0	4.8	34.0	31.0	14.0	20.0	6.2
GSFM7020P-R33M	0.33	M	4.0	4.8	34.0	31.0	13.0	19.0	6.2
GSFM7020P-R47M	0.47	M	5.1	6.2	28.0	25.0	12.0	17.0	6.2
GSFM7020P-R68M	0.68	M	7.9	9.2	25.0	23.0	10.0	13.0	6.2
GSFM7020P-1R0M	1.00	M	9.8	10.8	23.0	20.0	8.0	11.0	6.2

* Test Condition @100KHz , 0.1Vrms , 25deg.C Ambient

* Inductance Tolerance : M = +/-20%

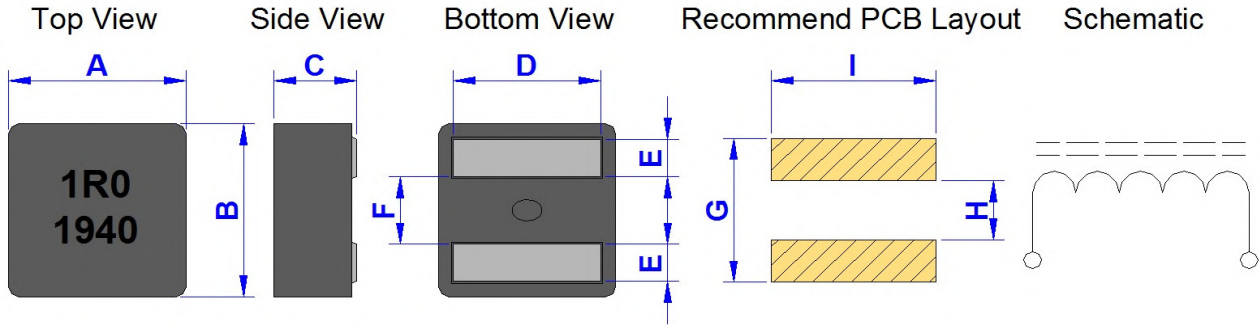
* Irms : Rated Current Loading when temperature rise approximately 40deg.C

* Isat : Saturated Current measured at the point of L drop approximately 30%

Product Series : GSFM	Brand : GOTREND
File Version : GSFM-SERIES-V1R1	Editor : Teddy Sun
Established Date : 2020.02.14	Description : High Current Inductor
Latest Edit Date : 2020.10.30	Product Type : <input checked="" type="checkbox"/> Standard <input type="checkbox"/> Customize

GSFM7030P-SERIES

Dimension [mm] :



Marking : A. Inductance code & Date code
 (1) Year ex. 2020 = 20
 (2) Weekly serial number 01 ~ 52

Size	A	B	C	D	E	F	G(Ref.)	H(Ref.)	I(Ref.)
7030	8.4+/-0.3	8.0+/-0.3	2.9+/-0.2	By Item	1.75+/-0.2	3.15+/-0.25	7.4	2.8	7.2

Electrical Characteristics :

Part No.	Inductance (uH)	L-Tol.	DCR (m Ohm)		Isat (A)		Irms (A)Typ.		Size D (mm) +/-0.3
			Typ.	Max.	Typ.	Max.	20°C	40°C	
GSFM7030P-R36M	0.36	M	2.1	2.31	41.0	37.0	19.0	24.0	6.6
GSFM7030P-R60M	0.60	M	2.9	3.2	36.0	32.0	18.0	23.0	6.6
GSFM7030P-1R0M	1.00	M	4.55	5.0	30.0	28.0	16.1	21.8	6.6
GSFM7030P-1R5M	1.50	M	7.5	8.25	25.0	23.5	12.0	15.3	6.6
GSFM7030P-2R2M	2.20	M	12.4	13.7	19.0	17.0	10.0	13.0	6.2
GSFM7030P-2R7M	2.70	M	14.0	15.4	16.0	13.5	9.2	11.4	6.2
GSFM7030P-3R3M	3.30	M	16.3	18.0	15.0	13.0	8.0	10.0	6.2
GSFM7030P-4R7M	4.70	M	24.2	26.7	13.5	12.2	6.9	9.0	6.2
GSFM7030P-5R6M	5.60	M	30.1	33.2	12.5	11.5	5.3	7.3	6.2
GSFM7030P-6R8M	6.80	M	38.6	42.5	12.0	11.0	4.5	6.8	6.2
GSFM7030P-8R2M	8.20	M	44.3	48.73	10.2	9.0	3.0	5.9	6.2
GSFM7030P-100M	10.00	M	51.0	56.1	9.0	7.0	2.8	5.0	6.2

* Test Condition @100KHz , 0.1Vrms , 25deg.C Ambient

* Inductance Tolerance : M = +/-20%

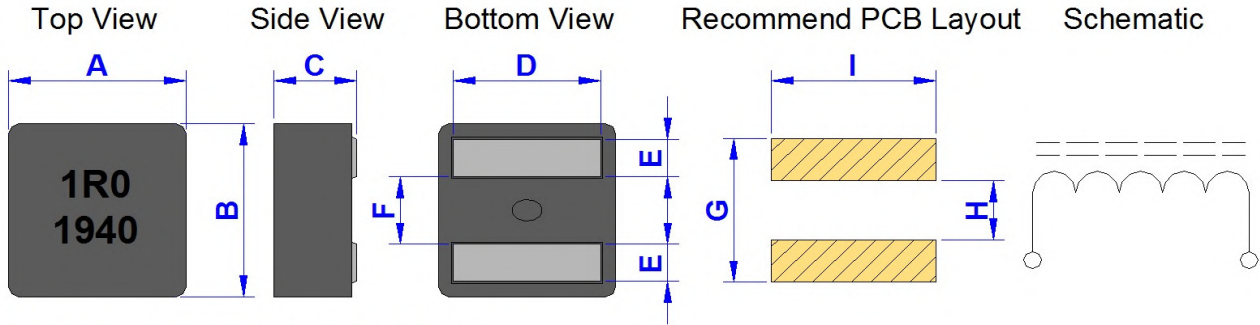
* Irms : Rated Current Loading when temperature rise approximately 40deg.C

* Isat : Saturated Current measured at the point of L drop approximately 30%

Product Series : GSFM	Brand : GOTREND
File Version : GSFM-SERIES-V1R1	Editor : Teddy Sun
Established Date : 2020.02.14	Description : High Current Inductor
Latest Edit Date : 2020.10.30	Product Type : <input checked="" type="checkbox"/> Standard <input type="checkbox"/> Customize

GSFM7050P-SERIES

Dimension [mm] :



Marking : A. Inductance code & Date code
 (1) Year ex. 2020 = 20
 (2) Weekly serial number 01 ~ 52

Size	A	B	C	D	E	F	G(Ref.)	H(Ref.)	I(Ref.)
7050	8.4+/-0.3	8.0+/-0.3	4.8+/-0.2	By Item	1.75+/-0.2	3.15+/-0.25	7.4	2.8	7.2

Electrical Characteristics :

Part No.	Inductance (uH)	L-Tol.	DCR (m Ohm)		Isat (A)		Irms (A)Typ.		Size D (mm) +/-0.3
			Typ.	Max.	Typ.	Max.	20°C	40°C	
GSFM7050P-R16M	0.16	M	0.9	0.99	76.0	68.0	25.6	34.0	6.7
GSFM7050P-R18M	0.18	M	0.9	0.99	73.0	65.0	24.5	33.5	6.7
GSFM7050P-R36M	0.36	M	1.32	1.46	53.0	48.0	22.0	29.0	6.7
GSFM7050P-R56M	0.56	M	1.8	1.98	45.0	40.0	20.0	26.0	6.7
GSFM7050P-R68M	0.68	M	2.21	2.43	37.0	32.0	17.0	22.0	6.5
GSFM7050P-1R0M	1.00	M	2.9	3.19	33.0	29.0	18.0	23.0	6.5
GSFM7050P-1R2M	1.20	M	3.5	3.85	30.0	27.0	15.0	19.0	6.5
GSFM7050P-1R8M	1.80	M	4.2	4.62	25.0	21.0	13.0	16.0	6.5
GSFM7050P-2R2M	2.20	M	5.8	6.4	21.0	17.0	11.0	14.0	6.2
GSFM7050P-3R3M	3.30	M	10.4	11.44	17.0	14.0	10.0	13.0	6.2
GSFM7050P-4R7M	4.70	M	14.0	15.4	15.0	13.0	8.5	11.0	6.2
GSFM7050P-5R6M	5.60	M	15.6	17.2	13.0	11.0	7.0	10.0	6.2

* Test Condition @100KHz , 0.1Vrms , 25deg.C Ambient

* Inductance Tolerance : M = +/-20%

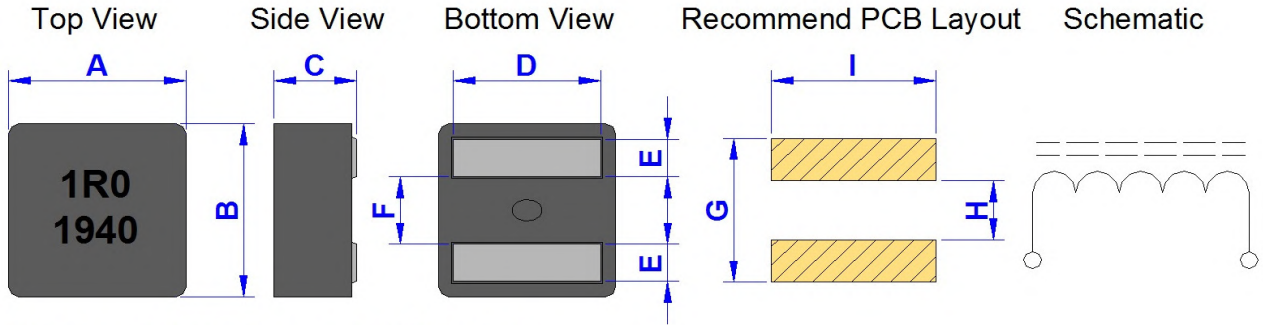
* Irms : Rated Current Loading when temperature rise approximately 40deg.C

* Isat : Saturated Current measured at the point of L drop approximately 30%

Product Series : GSFM	Brand : GOTREND
File Version : GSFM-SERIES-V1R1	Editor : Teddy Sun
Established Date : 2020.02.14	Description : High Current Inductor
Latest Edit Date : 2020.10.30	Product Type : <input checked="" type="checkbox"/> Standard <input type="checkbox"/> Customize

GSFM7070P-SERIES

Dimension [mm] :



Marking : A. Inductance code & Date code
 (1) Year ex. 2020 = 20
 (2) Weekly serial number 01 ~ 52

Size	A	B	C	D	E	F	G(Ref.)	H(Ref.)	I(Ref.)
7070	8.4+/-0.3	8.0+/-0.3	6.7+/-0.3	By Item	1.75+/-0.2	3.15+/-0.25	7.8	2.8	6.7

Electrical Characteristics :

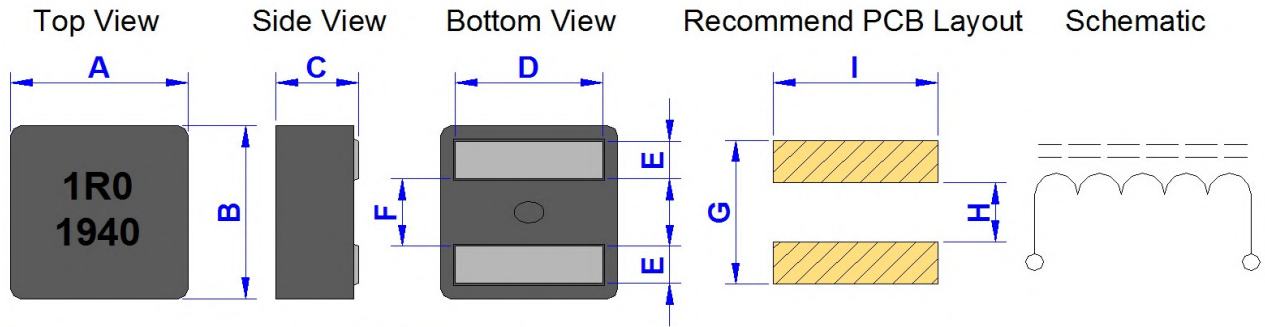
Part No.	Inductance (uH)	L-Tol.	DCR (m Ohm)		Isat (A)		Irms (A)Typ.		Size D (mm) +/-0.3
			Typ.	Max.	Typ.	Max.	20°C	40°C	
GSFM7070P-2R2M	2.2	M	5.73	6.33	19.6	17.6	13.2	17.8	6.7
GSFM7070P-3R3M	3.3	M	8.56	9.42	19.4	15.1	11.5	15.1	6.7
GSFM7070P-4R7M	4.7	M	12.2	13.5	15.5	14.0	10.5	13.6	6.7
GSFM7070P-6R8M	6.8	M	17.8	19.6	12.8	11.0	7.0	9.5	6.5
GSFM7070P-100M	10.0	M	24.0	26.4	10.0	9.0	5.0	7.0	6.5

- * Test Condition @100KHz , 0.1Vrms , 25deg.C Ambient
- * Inductance Tolerance : M = +/-20%
- * Irms : Rated Current Loading when temperature rise approximately 40deg.C
- * Isat : Saturated Current measured at the point of L drop approximately 30%

Product Series : GSFM	Brand : GOTREND
File Version : GSFM-SERIES-V1R1	Editor : Teddy Sun
Established Date : 2020.02.14	Description : High Current Inductor
Latest Edit Date : 2020.10.30	Product Type : <input checked="" type="checkbox"/> Standard <input type="checkbox"/> Customize

GSFM8080P-SERIES

Dimension [mm] :



Marking : A. Inductance code & Date code
 (1) Year ex. 2020 = 20
 (2) Weekly serial number 01 ~ 52

Size	A	B	C	D	E	F	G(Ref.)	H(Ref.)	I(Ref.)
8080	8.9+/-0.3	8.5+/-0.3	7.7+/-0.3	By Item	1.8+/-0.2	3.5+/-0.3	8.0	2.7	7.8

Electrical Characteristics :

Part No.	Inductance (uH)	L-Tol.	DCR (m Ohm)		Isat (A)		Irms (A)Typ.		Size D (mm) +/-0.3
			Typ.	Max.	Typ.	Max.	20°C	40°C	
GSFM8080P-1R8M	1.8	M	3.6	4.0	28.0	24.0	18.0	24.0	7.2
GSFM8080P-2R2M	2.2	M	3.9	4.3	25.0	22.0	16.0	21.5	7.2
GSFM8080P-3R3M	3.3	M	6.6	7.3	23.0	20.0	13.5	18.0	6.9
GSFM8080P-4R7M	4.7	M	8.9	9.8	19.0	17.0	10.5	14.6	6.9
GSFM8080P-6R8M	6.8	M	13.0	14.3	14.5	12.5	8.0	11.3	6.9
GSFM8080P-100M	10.0	M	20.8	22.9	11.0	10.0	6.6	8.7	6.9

* Test Condition @100KHz , 0.1Vrms , 25deg.C Ambient

* Inductance Tolerance : M = +/-20%

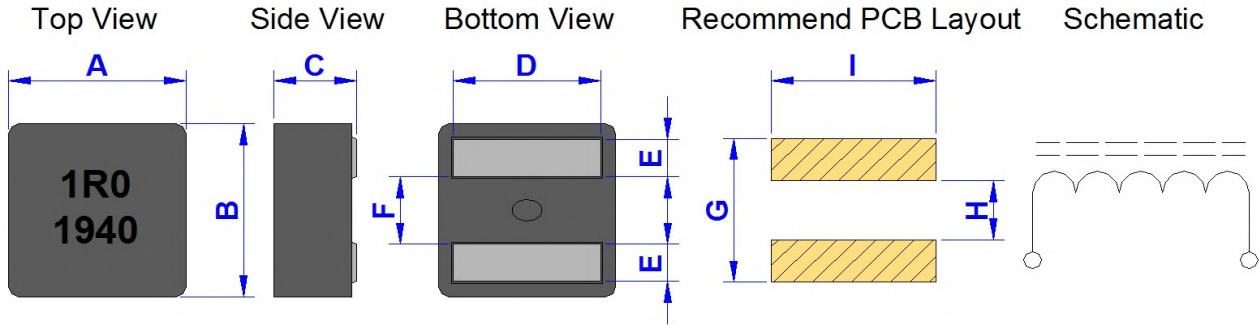
* Irms : Rated Current Loading when temperature rise approximately 40deg.C

* Isat : Saturated Current measured at the point of L drop approximately 30%

Product Series : GSFM	Brand : GOTREND
File Version : GSFM-SERIES-V1R1	Editor : Teddy Sun
Established Date : 2020.02.14	Description : High Current Inductor
Latest Edit Date : 2020.10.30	Product Type : <input checked="" type="checkbox"/> Standard <input type="checkbox"/> Customize

GSFM1031PL-SERIES

Dimension [mm] :



Marking : A. Inductance code & Date code
 (1) Year ex. 2020 = 20
 (2) Weekly serial number 01 ~ 52

Size	A	B	C	D	E	F	G(Ref.)	H(Ref.)	I(Ref.)
1031PL	11.9+/-0.3	11.0+/-0.3	2.9+/-0.3	9.0+/-0.5	2.4+/-0.2	4.4+/-0.3	10.5	3.7	11.0

Electrical Characteristics :

Part No.	Inductance (uH)	L-Tol.	DCR (m Ohm)		Isat (A)		I _{rms} (A)Typ.	
			Typ.	Max.	Typ.	Max.	20°C	40°C
GSFM1031PL-R28M	0.28	M	1.45	1.6	65.0	58.0	25.5	35.0
GSFM1031PL-R56M	0.56	M	2.5	2.75	44.0	39.0	23.0	32.0
GSFM1031PL-R82M	0.82	M	3.7	4.1	38.0	32.0	18.0	25.0
GSFM1031PL-R90M	0.90	M	3.8	4.2	36.0	31.0	17.0	24.0
GSFM1031PL-1R0M	1.00	M	4.5	4.95	35.0	30.0	16.0	23.0
GSFM1031PL-1R5M	1.50	M	6.0	6.6	30.0	25.0	12.0	18.0

* Test Condition @100KHz , 0.1V_{rms} , 25deg.C Ambient

* Inductance Tolerance : M = +/-20%

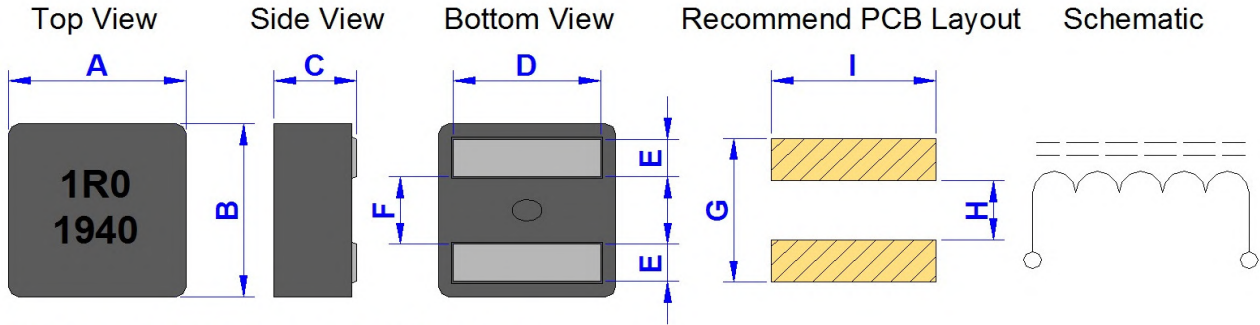
* I_{rms} : Rated Current Loading when temperature rise approximately 40deg.C

* Isat : Saturated Current measured at the point of L drop approximately 30%

Product Series : GSFM	Brand : GOTREND
File Version : GSFM-SERIES-V1R1	Editor : Teddy Sun
Established Date : 2020.02.14	Description : High Current Inductor
Latest Edit Date : 2020.10.30	Product Type : <input checked="" type="checkbox"/> Standard <input type="checkbox"/> Customize

GSFM1060P-SERIES

Dimension [mm] :



Marking : A. Inductance code & Date code
 (1) Year ex. 2020 = 20
 (2) Weekly serial number 01 ~ 52

Size	A	B	C	D	E	F	G(Ref.)	H(Ref.)	I(Ref.)
1060	11.9+/-0.3	11.0+/-0.3	5.7+/-0.3	By Item	2.4+/-0.2	4.5+/-0.3	10.5	3.7	11.0

Electrical Characteristics :

Part No.	Inductance (uH)	L-Tol.	DCR (m Ohm)		Isat (A)		Irms (A)Typ.		Size D (mm) +/-0.5
			Typ.	Max.	Typ.	Max.	20°C	40°C	
GSFM1060P-R68M	0.68	M	1.25	1.5	55.0	50.0	22.5	34.0	9.5
GSFM1060P-1R0M	1.00	M	2.0	2.32	48.0	44.0	20.0	28.5	9.0
GSFM1060P-1R2M	1.20	M	2.4	2.64	45.0	40.0	18.0	26.5	9.0
GSFM1060P-1R5M	1.50	M	2.9	3.3	40.0	36.0	16.0	24.5	9.0
GSFM1060P-2R2M	2.20	M	4.4	4.84	35.0	30.0	14.0	20.0	9.0
GSFM1060P-3R3M	3.30	M	7.0	7.7	28.0	25.0	11.4	16.8	9.0
GSFM1060P-4R7M	4.70	M	9.7	10.72	25.0	22.0	8.7	14.0	9.0
GSFM1060P-5R6M	5.60	M	10.8	11.9	20.0	17.0	7.0	12.0	8.8
GSFM1060P-6R8M	6.80	M	11.8	13.0	18.0	15.5	6.0	10.5	8.8
GSFM1060P-8R2M	8.20	M	15.0	16.5	16.5	14.0	6.0	9.5	8.8
GSFM1060P-100M	10.00	M	16.5	18.2	15.0	13.0	4.5	9.0	8.8

* Test Condition @100KHz , 0.1Vrms , 25deg.C Ambient

* Inductance Tolerance : M = +/-20%

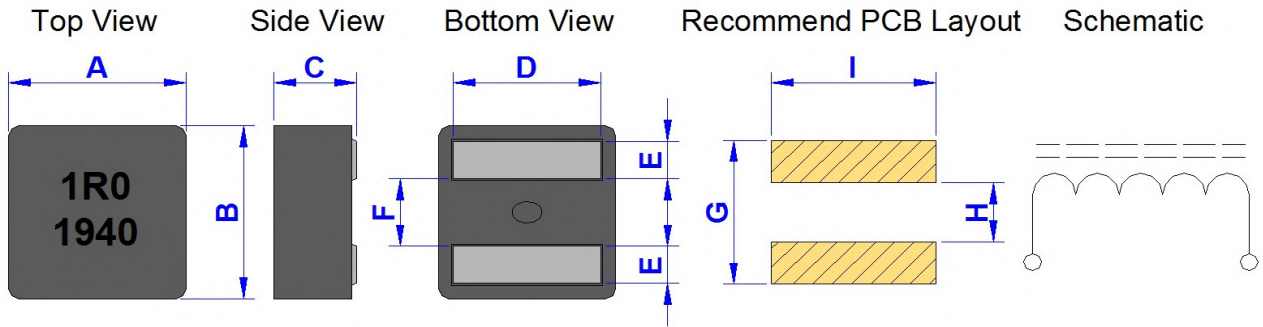
* Irms : Rated Current Loading when temperature rise approximately 40deg.C

* Isat : Saturated Current measured at the point of L drop approximately 30%

Product Series : GSFM	Brand : GOTREND
File Version : GSFM-SERIES-V1R1	Editor : Teddy Sun
Established Date : 2020.02.14	Description : High Current Inductor
Latest Edit Date : 2020.10.30	Product Type : <input checked="" type="checkbox"/> Standard <input type="checkbox"/> Customize

GSFM1010P-SERIES

Dimension [mm] :



Marking : A. Inductance code & Date code
 (1) Year ex. 2020 = 20
 (2) Weekly serial number 01 ~ 52

Size	A	B	C	D	E	F	G(Ref.)	H(Ref.)	I(Ref.)
1010	11.9+/-0.3	11.0+/-0.3	9.7+/-0.3	By Item	2.4+/-0.2	4.4+/-0.3	10.5	3.7	11.0

Electrical Characteristics :

Part No.	Inductance (uH)	L-Tol.	DCR (m Ohm)		Isat (A)		Irms (A)Typ.		Size D (mm) +/-0.5
			Typ.	Max.	Typ.	Max.	20°C	40°C	
GSFM1010P-2R2M	2.2	M	2.5	2.8	34.0	29.0	24.5	32.0	9.3
GSFM1010P-3R3M	3.3	M	3.7	4.1	27.4	23.4	18.2	25.0	9.3
GSFM1010P-4R7M	4.7	M	5.2	5.7	25.4	21.4	17.5	24.0	9.3
GSFM1010P-5R6M	5.6	M	6.5	7.2	23.6	19.6	15.7	21.2	9.3
GSFM1010P-6R8M	6.8	M	8.1	8.9	21.8	18.5	14.0	18.5	9.0
GSFM1010P-8R2M	8.2	M	10.8	12.4	18.3	16.3	12.9	17.1	9.0
GSFM1010P-100M	10.0	M	12.5	13.75	17.5	14.6	11.5	15.5	9.0
GSFM1010P-150M	15.0	M	17.5	19.3	15.5	12.5	9.9	13.8	9.0

* Test Condition @100KHz , 0.1Vrms , 25deg.C Ambient

* Inductance Tolerance : M = +/-20%

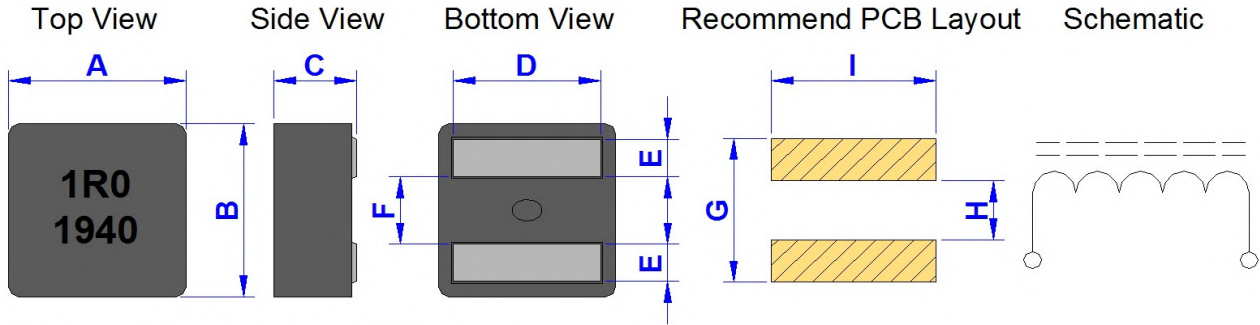
* I rms : Rated Current Loading when temperature rise approximately 40deg.C

* Isat : Saturated Current measured at the point of L drop approximately 30%

Product Series : GSFM	Brand : GOTREND
File Version : GSFM-SERIES-V1R1	Editor : Teddy Sun
Established Date : 2020.02.14	Description : High Current Inductor
Latest Edit Date : 2020.10.30	Product Type : <input checked="" type="checkbox"/> Standard <input type="checkbox"/> Customize

GSFM1580P-SERIES

Dimension [mm] :



Marking : A. Inductance code & Date code
 (1) Year ex. 2020 = 20
 (2) Weekly serial number 01 ~ 52

Size	A	B	C	D	E	F	G(Ref.)	H(Ref.)	I(Ref.)
1580	17.5+/-0.3	16.5+/-0.3	7.7+/-0.3	13.2+/-0.5	3.2+/-0.2	7.4+/-0.3	15.0	6.0	15.0

Electrical Characteristics :

Part No.	Inductance (uH)	L-Tol.	DCR (m Ohm)		Isat (A)		Irms (A)Typ.	
			Typ.	Max.	Typ.	Max.	20°C	40°C
GSFM1580P-R40M	0.40	M	0.55	0.66	111.0	101.0	47.0	60.0
GSFM1580P-R74M	0.74	M	0.79	0.9	88.0	80.0	44.0	60.0
GSFM1580P-1R0M	1.00	M	1.0	1.15	80.0	73.0	41.0	58.0
GSFM1580P-1R1M	1.10	M	1.0	1.15	80.0	73.0	41.0	58.0
GSFM1580P-1R3M	1.30	M	1.25	1.44	70.0	63.0	35.0	47.0
GSFM1580P-1R8M	1.80	M	1.6	1.84	63.0	57.0	33.0	44.0
GSFM1580P-2R0M	2.00	M	1.92	2.21	57.0	52.0	29.5	40.0
GSFM1580P-2R2M	2.20	M	2.15	2.48	55.0	49.0	28.0	37.0
GSFM1580P-3R0M	3.00	M	2.5	3.0	46.0	41.0	26.0	34.5
GSFM1580P-4R2M	4.20	M	3.9	4.68	38.0	33.0	20.5	27.0
GSFM1580P-4R7M	4.70	M	4.3	5.16	37.0	32.0	20.0	26.5
GSFM1580P-5R3M	5.30	M	4.45	5.34	35.0	31.0	19.5	26.0
GSFM1580P-6R2M	6.20	M	5.4	6.5	34.0	31.0	17.0	23.0
GSFM1580P-7R2M	7.20	M	6.0	7.2	32.0	29.0	15.0	21.0
GSFM1580P-8R2M	8.20	M	6.6	7.92	28.0	25.0	13.0	19.0
GSFM1580P-100M	10.00	M	8.0	9.6	24.0	21.0	11.0	16.0
GSFM1580P-150M	15.00	M	12.5	15.0	21.0	18.0	10.0	13.0
GSFM1580P-220M	22.00	M	19.3	23.2	19.0	16.0	9.0	12.0

* Test Condition @100KHz , 0.1Vrms , 25deg.C Ambient

* Inductance Tolerance : M = +/-20%

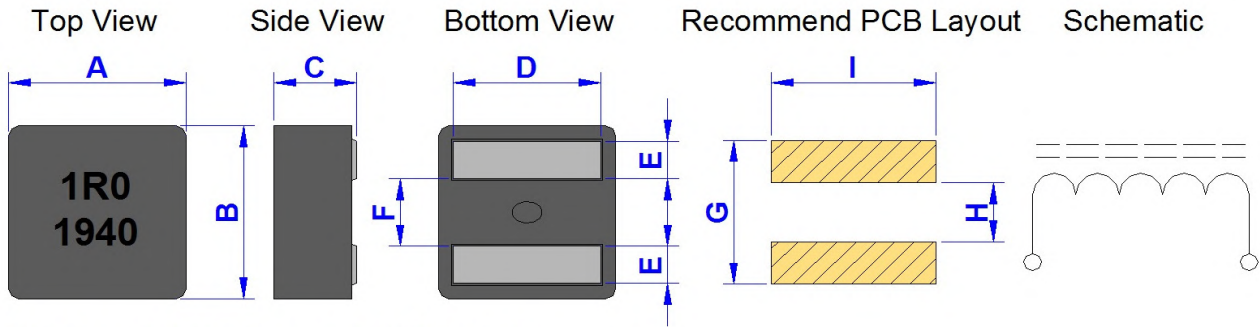
* Irms : Rated Current Loading when temperature rise approximately 40deg.C

* Isat : Saturated Current measured at the point of L drop approximately 30%

Product Series : GSFM	Brand : GOTREND
File Version : GSFM-SERIES-V1R1	Editor : Teddy Sun
Established Date : 2020.02.14	Description : High Current Inductor
Latest Edit Date : 2020.10.30	Product Type : <input checked="" type="checkbox"/> Standard <input type="checkbox"/> Customize

GSFM1510P-SERIES

Dimension [mm] :



Marking : A. Inductance code & Date code
 (1) Year ex. 2020 = 20
 (2) Weekly serial number 01 ~ 52

Size	A	B	C	D	E	F	G(Ref.)	H(Ref.)	I(Ref.)
1510	17.5+/-0.3	16.5+/-0.3	9.7+/-0.3	13.2+/-0.5	3.2+/-0.2	7.4+/-0.3	15.0	6.0	15.0

Electrical Characteristics :

Part No.	Inductance (uH)	L-Tol.	DCR (m Ohm)		Isat (A)		Irms (A)Typ.	
			Typ.	Max.	Typ.	Max.	20°C	40°C
GSFM1510P-4R7M	4.7	M	3.4	3.8	43.0	39.0	22.0	30.0
GSFM1510P-5R6M	5.6	M	3.82	4.2	38.0	34.0	21.0	28.0
GSFM1510P-6R8M	6.8	M	4.18	4.6	36.0	31.0	20.0	26.0
GSFM1510P-8R2M	8.2	M	6.0	7.2	32.0	28.0	19.0	25.0
GSFM1510P-100M	10.0	M	7.1	8.6	29.0	26.0	18.0	24.0
GSFM1510P-150M	15.0	M	9.2	11.5	23.0	20.0	14.0	18.0
GSFM1510P-220M	22.0	M	13.2	15.8	20.0	18.0	11.0	16.0
GSFM1510P-330M	33.0	M	18.7	20.0	18.7	16.7	9.0	13.0

* Test Condition @100KHz , 0.1Vrms , 25deg.C Ambient

* Inductance Tolerance : M = +/-20%

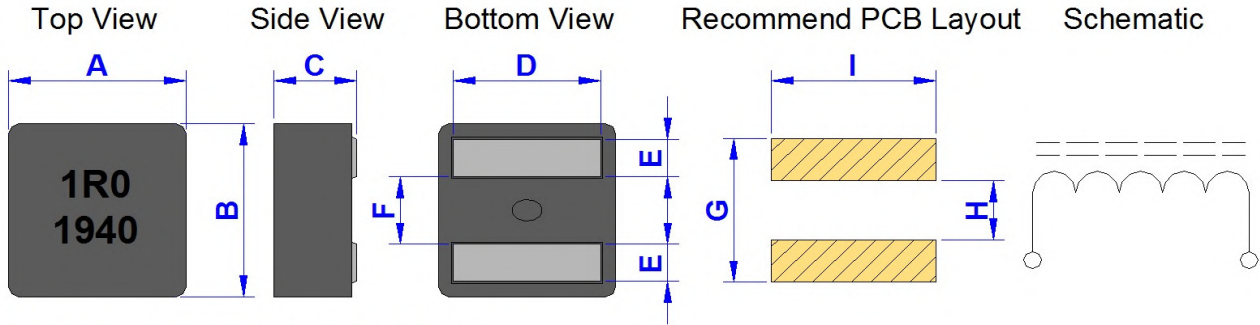
* Irms : Rated Current Loading when temperature rise approximately 40deg.C

* Isat : Saturated Current measured at the point of L drop approximately 30%

Product Series : GSFM	Brand : GOTREND
File Version : GSFM-SERIES-V1R1	Editor : Teddy Sun
Established Date : 2020.02.14	Description : High Current Inductor
Latest Edit Date : 2020.10.30	Product Type : <input checked="" type="checkbox"/> Standard <input type="checkbox"/> Customize

GSFM1513P-SERIES

Dimension [mm] :



Marking : A. Inductance code & Date code
 (1) Year ex. 2020 = 20
 (2) Weekly serial number 01 ~ 52

Size	A	B	C	D	E	F	G(Ref.)	H(Ref.)	I(Ref.)
1513	17.5+/-0.3	16.5+/-0.3	12.7+/-0.3	13.2+/-0.5	3.2+/-0.2	7.4+/-0.3	15.0	6.0	15.0

Electrical Characteristics :

Part No.	Inductance (uH)	L-Tol.	DCR (m Ohm)		Isat (A)		Irms (A)Typ.	
			Typ.	Max.	Typ.	Max.	20°C	40°C
GSFM1513P-4R7M	4.7	M	3.0	3.3	44.0	40.0	23.0	31.0
GSFM1513P-5R6M	5.6	M	3.5	3.9	40.0	35.0	22.0	29.0
GSFM1513P-6R8M	6.8	M	3.8	4.2	37.0	32.0	21.0	27.0
GSFM1513P-8R2M	8.2	M	5.1	5.74	33.0	29.0	20.0	26.0
GSFM1513P-100M	10.0	M	6.3	7.0	30.0	27.0	19.0	25.0
GSFM1513P-150M	15.0	M	6.5	7.2	25.5	21.0	16.0	22.0
GSFM1513P-220M	22.0	M	12.6	13.86	22.0	19.0	12.0	17.0
GSFM1513P-330M	33.0	M	18.5	22.2	19.0	16.0	9.0	14.0

* Test Condition @100KHz , 0.1Vrms , 25deg.C Ambient

* Inductance Tolerance : M = +/-20%

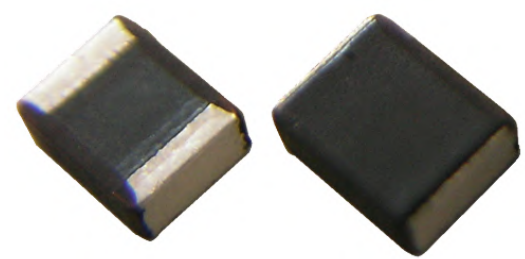
* Irms : Rated Current Loading when temperature rise approximately 40deg.C

* Isat : Saturated Current measured at the point of L drop approximately 30%

Product Series : GSPM	Brand : GOTREND
File Version : GSPM-SERIES-V1R1	Editor : Teddy Sun
Established Date : 2014.04.03	Description : SMD Power Inductor
Latest Edit Date : 2020.11.06	Product Type : <input checked="" type="checkbox"/> Standard <input type="checkbox"/> Customize

Features & Application :

- * Power supply PWM circuit input / output inductor
- * Power line noise suppression
- * DC-DC Converter
- * To help you go pass CE/FCC standard
- * TFT/ WiFi/ MobilePhone/ MP3/ PDA....etc. Application
- * Low Profile for all compact design



(Picture for reference only)

Part No. Example :

PN	:	GSPM	252010	P	-	1R0	M
-----		-----	-----	---		-----	----
ID	:	1	2	3		4	5
1	:	GOTREND Series Code					
2	:	Dimension Code : 252010 = (L) 2.5 x (W) 2.0 x (H) 1.0 mm					
3	:	RoHS Compliance					
4	:	Inductance : 1R0 = 1.0uH , Ex : 100 = 10uH					
5	:	Tolerance 5 : M = 20% , N = 30%					

Basic Information :

Made in	China
Pin Foot	SMD
Shielding	Yes
J-STD-020	MSL Level 1
RoHS	Compliant
REACH	Compliant
Halogen	Free

Operating & Storage Condition :

- * Operating Temp -40 ~ +125 deg.C (Including self - temperature rise)
- * Storage Temp 1. -10 ~ +45 deg.C , 50 ~ 60% RH (Product with taping)
2. -40 ~ +125 deg.C (On board)
- * Storage Life Time 6 Month (Less than 40 deg.C and 60% RH)

Attention & Caution :

- * Keep out of Splashing water or salt water
- * Avoid Toxic Gas (Hydrogen sulfide, Sulfurous acid, Chlorine, Ammonia)
- * Avoid Vibrations or shocks which exceed the specified condition
- * Avoid Dew condense
- * Avoid Layout near the edge of PCB
- * Avoid Over flexure after SMT mounting & PCBA
- * Pin foot or SMD pad solderability: Pb free type is best within 6 months after delivery
- * Humidity sensitive , IPC/JEDEC J-STD-020 MSL if over Level 1, recommend bake 30mins@150 degree before PCBA
- * Caution for human life relative applications : PLS contact & consult with GOTREND team in design stage.

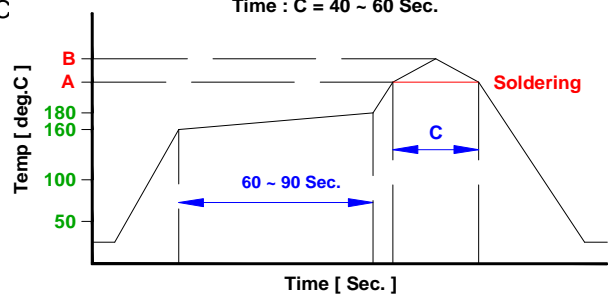


Test Condition :

- * Equipment HP4284A , HP42841A - L , Q , DCR , IDC
HP8753D Network analyzer - SRF
- * Standard Atmosphere Conditions:
Ambient Temperature 20 ± 15 deg.C
Humidity RH 65 ± 20%
- * If there may be any doubt on the test result ,
Measurement shall be made within the following limits:
Ambient Temperature 25 ± 5 deg.C
Humidity RH 75 ± 10%

Recommend IR Reflow Curve : GTX-IR-FILE001

Lead Free Solder : A = 217 deg.C , B = 245+/-5 deg.C
Time : C = 40 ~ 60 Sec.

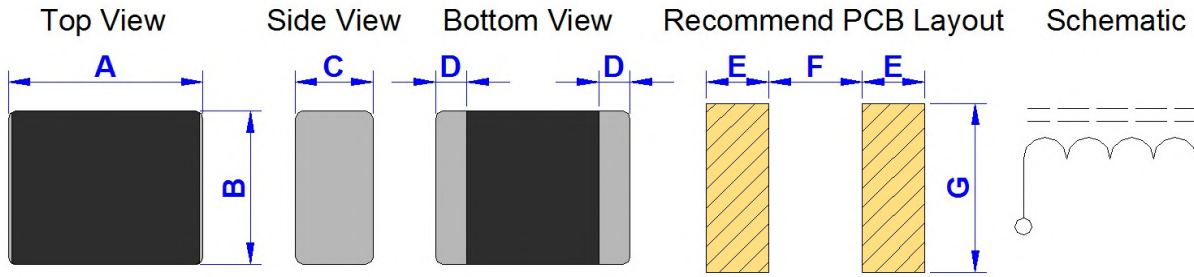


**Notice : Iron Soldering , Solder < 30 Watt ,
Direct touch the terminal x 3 Sec. Max. @ 350 deg.C**

Product Series : GSPM	Brand : GOTREND
File Version : GSPM-SERIES-V1R1	Editor : Teddy Sun
Established Date : 2014.04.03	Description : SMD Power Inductor
Latest Edit Date : 2020.11.06	Product Type : <input checked="" type="checkbox"/> Standard <input type="checkbox"/> Customize

GSPM252010P-SERIES

Dimension [mm] :



Size	A(Max.)	B(Max.)	C(Max.)	D(Ref.)	E(Ref.)	F(Ref.)	G(Ref.)
252010	2.70	2.20	1.00	0.40	0.80	1.20	2.20

Electrical Characteristics :

Part No.	Inductance (uH)	L-Tolerance	DCR (mΩ) Typ.	DCR (mΩ) Max.	Isat (mA) Typ.	Irms (mA) Typ.
GSPM252010P-R47□	0.47	M	28.0	33.6	5500	5700
GSPM252010P-1R0□	1.00	M	50.0	60.0	4000	3500
GSPM252010P-1R5□	1.50	M	80.0	96.0	3500	3100
GSPM252010P-2R2□	2.20	M	103.0	123.6	2700	2600
GSPM252010P-3R3□	3.30	M	190.0	228.0	2200	1800
GSPM252010P-4R7□	4.70	M	240.0	288.0	1900	1700

■ Inductance test Freq. : 1MHz / 0.1V

■ L-Tolerance : M = 20%

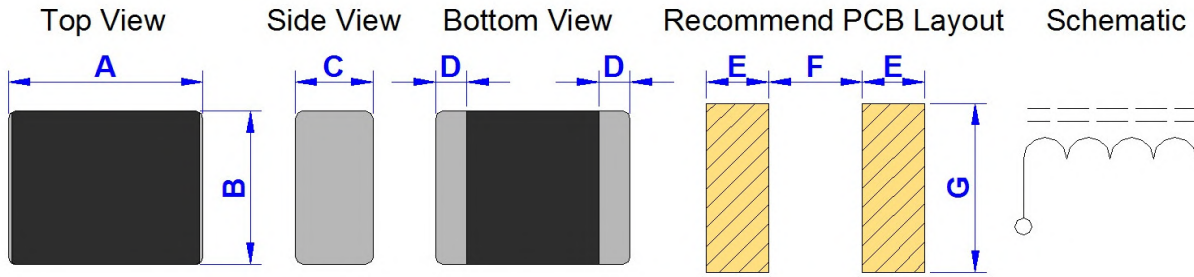
■ Isat : The value of DC current when the inductance is over 70% of the initial value. (at 25deg.C)

■ Irms : The actual value of DC current when the top surface of test sample temperature rise is $\Delta T = 40\text{deg.C}$ ($T_a = 25\text{deg.C}$).

Product Series : GSPM	Brand : GOTREND
File Version : GSPM-SERIES-V1R1	Editor : Teddy Sun
Established Date : 2014.04.03	Description : SMD Power Inductor
Latest Edit Date : 2020.11.06	Product Type : <input checked="" type="checkbox"/> Standard <input type="checkbox"/> Customize

GSPM252012P-SERIES

Dimension [mm] :



Size	A(Max.)	B(Max.)	C(Max.)	D(Ref.)	E(Ref.)	F(Ref.)	G(Ref.)
252012	2.70	2.20	1.20	0.40	0.80	1.20	2.20

Electrical Characteristics :

Part No.	Inductance (uH)	L-Tolerance	DCR (mΩ) Typ.	DCR (mΩ) Max.	Isat (mA) Typ.	Irms (mA) Typ.
GSPM252012P-R47□	0.47	M	20.0	24.0	4800	5700
GSPM252012P-1R0□	1.00	M	35.0	42.0	4000	4200
GSPM252012P-1R5□	1.50	M	55.0	66.0	3400	3600
GSPM252012P-2R2□	2.20	M	75.0	90.0	2700	3100
GSPM252012P-3R3□	3.30	M	105.0	126.0	2400	2400
GSPM252012P-4R7□	4.70	M	150.0	180.0	1900	2000
GSPM252012P-5R6□	5.60	M	200.0	240.0	1500	1800
GSPM252012P-6R8□	6.80	M	300.0	360.0	1300	1500
GSPM252012P-100□	10.00	M	390.0	468.0	1200	1300

■ Inductance test Freq. : 1MHz / 0.1V

■ L-Tolerance : M = 20%

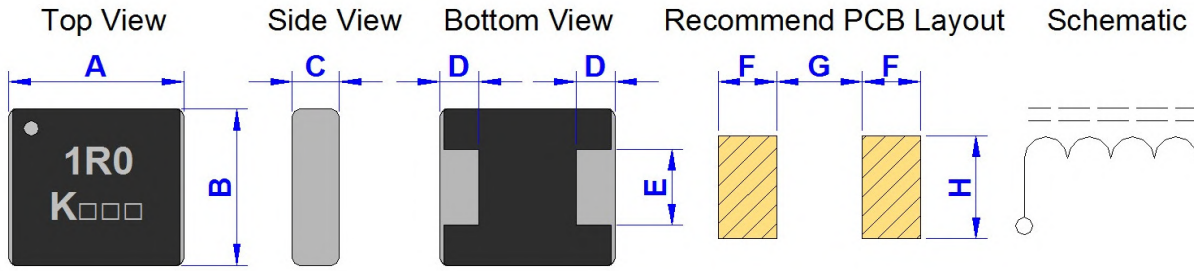
■ Isat : The value of DC current when the inductance is over 70% of the initial value. (at 25deg.C)

■ Irms : The actual value of DC current when the top surface of test sample temperature rise is $\Delta T = 40\text{deg.C}$ ($T_a = 25\text{deg.C}$).

Product Series : GSPM	Brand : GOTREND
File Version : GSPM-SERIES-V1R1	Editor : Teddy Sun
Established Date : 2014.04.03	Description : SMD Power Inductor
Latest Edit Date : 2020.11.06	Product Type : <input checked="" type="checkbox"/> Standard <input type="checkbox"/> Customize

GSPM4010P-SERIES

Dimension [mm] :



Size	A(Max.)	B(Max.)	C(Max.)	D(Ref.)	E(Ref.)	F(Ref.)	G(Ref.)	H(Ref.)
4010	4.75	4.35	1.00	1.00	2.00	1.50	2.20	2.70

Electrical Characteristics :

Part No.	Inductance (uH)	L-Tolerance	DCR (mΩ) Typ.	DCR (mΩ) Max.	Isat (mA) Typ.	Irms (mA) Typ.
GSPM4010P-R47□	0.47	M	29.0	34.8	4200	4600
GSPM4010P-1R0□	1.00	M	42.0	50.4	3200	4000
GSPM4010P-1R2□	1.20	M	49.0	58.8	2600	3600
GSPM4010P-1R5□	1.50	M	66.0	79.2	2500	3400
GSPM4010P-1R8□	1.80	M	75.0	90.0	2400	2800
GSPM4010P-2R2□	2.20	M	104.0	124.8	2000	2600
GSPM4010P-3R3□	3.30	M	165.0	198.0	1800	2200
GSPM4010P-4R7□	4.70	M	218.0	261.6	1400	1600

■ Inductance test Freq. : 100KHz / 0.1V

■ L-Tolerance : M = 20%

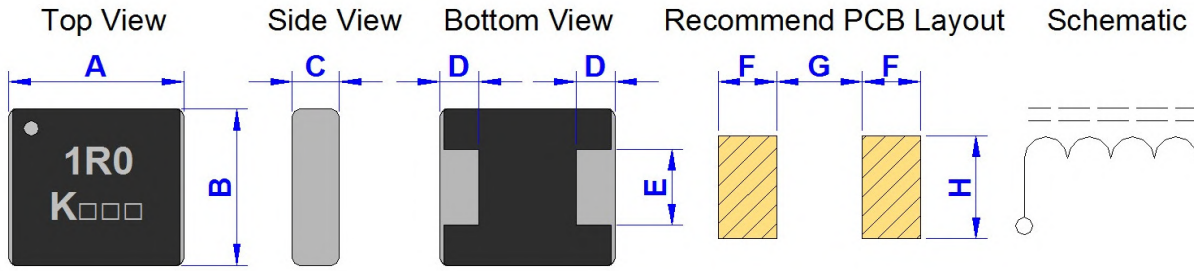
■ Isat : The value of DC current when the inductance is over 80% of the initial value. (at 25deg.C)

■ Irms : The actual value of DC current when the top surface of test sample temperature rise is $\Delta T = 40\text{deg.C}$ ($T_a = 25\text{deg.C}$).

Product Series : GSPM	Brand : GOTREND
File Version : GSPM-SERIES-V1R1	Editor : Teddy Sun
Established Date : 2014.04.03	Description : SMD Power Inductor
Latest Edit Date : 2020.11.06	Product Type : <input checked="" type="checkbox"/> Standard <input type="checkbox"/> Customize

GSPM4012P-SERIES

Dimension [mm] :



Size	A(Max.)	B(Max.)	C(Max.)	D(Ref.)	E(Ref.)	F(Ref.)	G(Ref.)	H(Ref.)
4012	4.75	4.35	1.20	1.00	2.00	1.50	2.20	2.70

Electrical Characteristics :

Part No.	Inductance (uH)	L-Tolerance	DCR (mΩ) Typ.	DCR (mΩ) Max.	Isat (mA) Typ.	Irms (mA) Typ.
GSPM4012P-R47□	0.47	M	19.0	22.8	8200	5400
GSPM4012P-1R0□	1.00	M	40.0	48.0	5300	4500
GSPM4012P-1R5□	1.50	M	60.0	72.0	4400	3300
GSPM4012P-2R2□	2.20	M	79.0	94.8	3600	2800
GSPM4012P-3R3□	3.30	M	115.0	138.0	3300	2300
GSPM4012P-4R7□	4.70	M	160.0	192.0	2700	1900
GSPM4012P-6R8□	6.80	M	240.0	288.0	2300	1600
GSPM4012P-100□	10.00	M	370.0	444.0	1600	1300

■ Inductance test Freq. : 100KHz / 0.1V

■ L-Tolerance : M = 20%

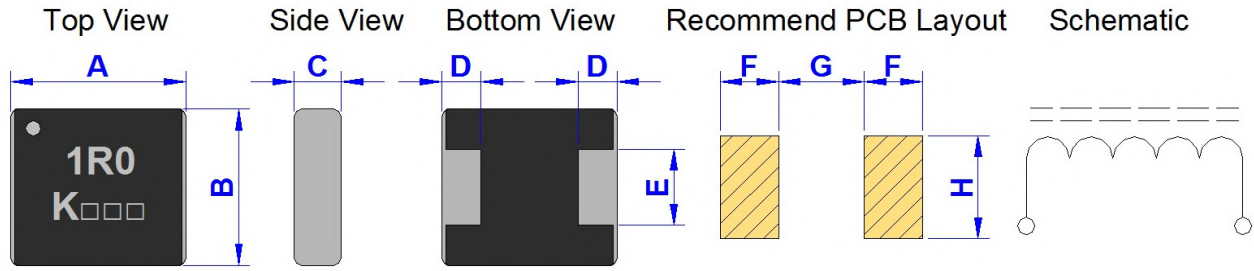
■ Isat : The value of DC current when the inductance is over 80% of the initial value. (at 25deg.C)

■ Irms : The actual value of DC current when the top surface of test sample temperature rise is $\Delta T = 40\text{deg.C}$ ($T_a = 25\text{deg.C}$).

Product Series : GSPM	Brand : GOTREND
File Version : GSPM-SERIES-V1R1	Editor : Teddy Sun
Established Date : 2014.04.03	Description : SMD Power Inductor
Latest Edit Date : 2020.11.06	Product Type : <input checked="" type="checkbox"/> Standard <input type="checkbox"/> Customize

GSPM4015P-SERIES

Dimension [mm] :



Size	A(Max.)	B(Max.)	C(Max.)	D(Ref.)	E(Ref.)	F(Ref.)	G(Ref.)	H(Ref.)
4015	4.75	4.35	1.50	1.00	2.00	1.50	2.20	2.70

Electrical Characteristics :

Part No.	Inductance (uH)	L-Tolerance	DCR (mΩ) Typ.	DCR (mΩ) Max.	Isat (mA) Typ.	Irms (mA) Typ.
GSPM4015P-R33□	0.33	M	10.0	12.0	10000	7500
GSPM4015P-R47□	0.47	M	13.0	15.6	9500	6500
GSPM4015P-1R0□	1.00	M	30.0	36.0	7000	4500
GSPM4015P-1R5□	1.50	M	45.0	54.0	4500	3500
GSPM4015P-2R2□	2.20	M	67.0	80.4	3800	3000
GSPM4015P-3R3□	3.30	M	82.0	98.4	3200	2500
GSPM4015P-4R7□	4.70	M	108.0	129.6	2800	2200
GSPM4015P-6R8□	6.80	M	185.0	222.0	2300	1600
GSPM4015P-100□	10.00	M	285.0	342.0	1800	1400

■ Inductance test Freq. : 100KHz / 0.1V

■ L-Tolerance : M = 20%

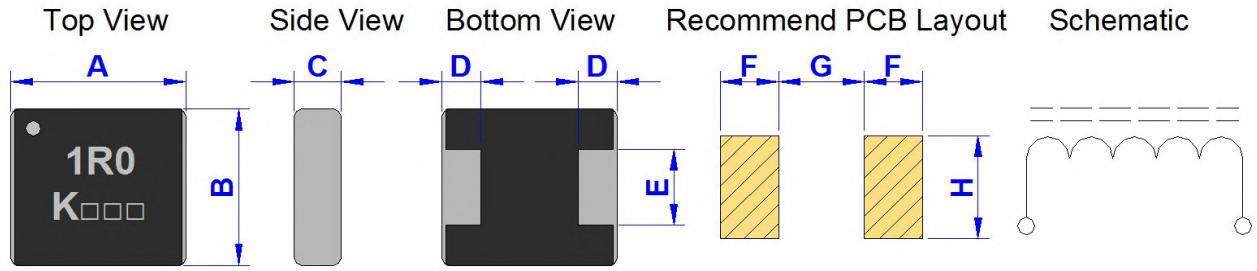
■ Isat : The value of DC current when the inductance is over 80% of the initial value. (at 25deg.C)

■ Irms : The actual value of DC current when the top surface of test sample temperature rise is $\Delta T = 40\text{deg.C}$ ($T_a = 25\text{deg.C}$).

Product Series : GSPM	Brand : GOTREND
File Version : GSPM-SERIES-V1R1	Editor : Teddy Sun
Established Date : 2014.04.03	Description : SMD Power Inductor
Latest Edit Date : 2020.11.06	Product Type : <input checked="" type="checkbox"/> Standard <input type="checkbox"/> Customize

GSPM4020P-SERIES

Dimension [mm] :



Size	A(Max.)	B(Max.)	C(Max.)	D(Ref.)	E(Ref.)	F(Ref.)	G(Ref.)	H(Ref.)
4020	4.75	4.35	2.00	1.00	2.00	1.50	2.20	2.70

Electrical Characteristics :

Part No.	Inductance (uH)	L-Tolerance	DCR (mΩ) Typ.	DCR (mΩ) Max.	Isat (mA) Typ.	Irms (mA) Typ.
GSPM4020P-R22□	0.22	M	5.3	6.4	15000	10100
GSPM4020P-R33□	0.33	M	6.0	7.2	12600	8900
GSPM4020P-R47□	0.47	M	8.2	9.8	11000	8100
GSPM4020P-1R0□	1.00	M	17.0	20.4	6800	5500
GSPM4020P-1R5□	1.50	M	23.0	27.6	5800	4900
GSPM4020P-2R2□	2.20	M	35.0	42.0	4500	3900
GSPM4020P-3R3□	3.30	M	49.0	58.8	4100	3300
GSPM4020P-4R7□	4.70	M	67.0	80.4	3400	2900
GSPM4020P-6R8□	6.80	M	91.0	109.2	2800	2400
GSPM4020P-100□	10.00	M	148.0	177.6	2300	1900
GSPM4020P-220□	22.00	M	316.0	379.2	1600	1300

■ Inductance test Freq. : 100KHz / 0.1V

■ L-Tolerance : M = 20%

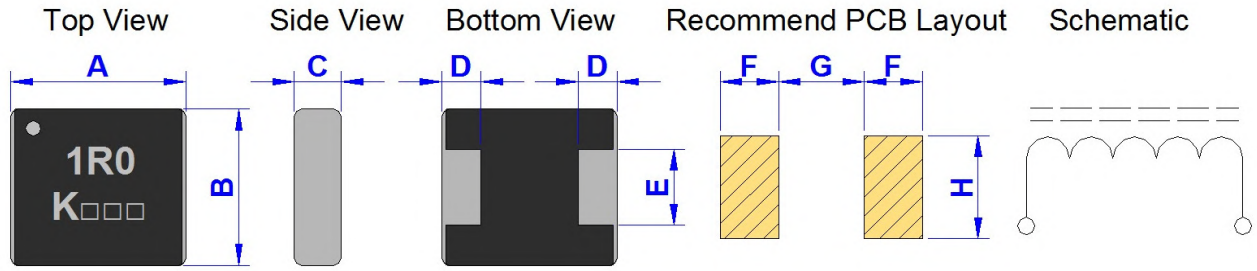
■ Isat : The value of DC current when the inductance is over 80% of the initial value. (at 25deg.C)

■ Irms : The actual value of DC current when the top surface of test sample temperature rise is $\Delta T = 40\text{deg.C}$ ($T_a = 25\text{deg.C}$).

Product Series : GSPM	Brand : GOTREND
File Version : GSPM-SERIES-V1R1	Editor : Teddy Sun
Established Date : 2014.04.03	Description : SMD Power Inductor
Latest Edit Date : 2020.11.06	Product Type : <input checked="" type="checkbox"/> Standard <input type="checkbox"/> Customize

GSPM5012P-SERIES

Dimension [mm] :



Size	A(Max.)	B(Max.)	C(Max.)	D(Ref.)	E(Ref.)	F(Ref.)	G(Ref.)	H(Ref.)
5012	5.75	5.45	1.20	1.00	2.50	1.90	2.20	2.70

Electrical Characteristics :

Part No.	Inductance (uH)	L-Tolerance	DCR (mΩ) Typ.	DCR (mΩ) Max.	Isat (mA) Typ.	Irms (mA) Typ.
GSPM5012P-R33□	0.33	M	13.0	15.6	11500	6500
GSPM5012P-R47□	0.47	M	18.0	21.6	10900	6100
GSPM5012P-1R0□	1.00	M	30.0	36.0	7200	4200
GSPM5012P-1R5□	1.50	M	48.0	57.6	6100	3400
GSPM5012P-2R2□	2.20	M	70.0	84.0	4800	2600
GSPM5012P-3R3□	3.30	M	95.0	114.0	3800	2300
GSPM5012P-4R7□	4.70	M	120.0	144.0	3500	2100
GSPM5012P-5R6□	5.60	M	145.0	174.0	3100	1900
GSPM5012P-6R8□	6.80	M	175.0	210.0	2800	1700
GSPM5012P-100□	10.00	M	290.0	348.0	2500	1300
GSPM5012P-150□	15.00	M	400.0	480.0	2200	1100

■ Inductance test Freq. : 100KHz / 0.1V

■ L-Tolerance : M = 20%

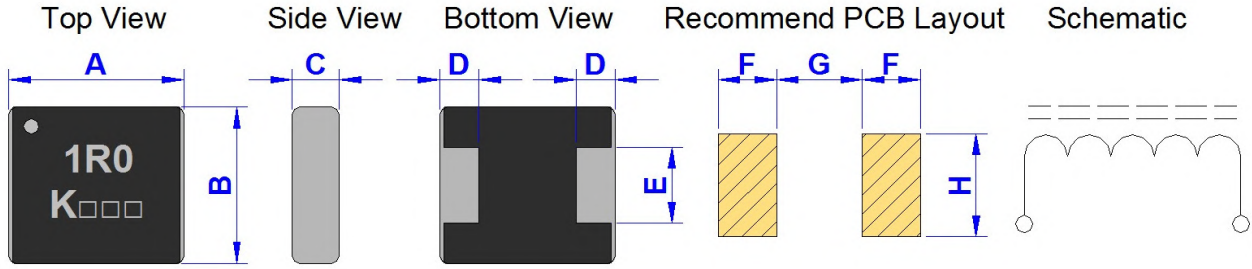
■ Isat : The value of DC current when the inductance is over 80% of the initial value. (at 25deg.C)

■ Irms : The actual value of DC current when the top surface of test sample temperature rise is $\Delta T = 40\text{deg.C}$ ($T_a = 25\text{deg.C}$).

Product Series : GSPM	Brand : GOTREND
File Version : GSPM-SERIES-V1R1	Editor : Teddy Sun
Established Date : 2014.04.03	Description : SMD Power Inductor
Latest Edit Date : 2020.11.06	Product Type : <input checked="" type="checkbox"/> Standard <input type="checkbox"/> Customize

GSPM5020P-SERIES

Dimension [mm] :



Size	A(Max.)	B(Max.)	C(Max.)	D(Ref.)	E(Ref.)	F(Ref.)	G(Ref.)	H(Ref.)
5020	5.75	5.45	2.00	1.00	2.50	1.90	2.20	2.70

Electrical Characteristics :

Part No.	Inductance (uH)	L-Tolerance	DCR (mΩ) Typ.	DCR (mΩ) Max.	Isat (mA) Typ.	Irms (mA) Typ.
GSPM5020P-R33□	0.33	M	8.0	9.6	14000	7900
GSPM5020P-R47□	0.47	M	10.0	12.0	11000	7600
GSPM5020P-R68□	0.68	M	13.0	15.6	10000	6600
GSPM5020P-1R0□	1.00	M	17.0	20.4	8000	5900
GSPM5020P-1R5□	1.50	M	24.0	28.8	6800	4800
GSPM5020P-2R2□	2.20	M	30.0	36.0	6000	4100
GSPM5020P-3R3□	3.30	M	50.0	60.0	4900	3600
GSPM5020P-4R7□	4.70	M	65.0	78.0	4400	2800
GSPM5020P-5R6□	5.60	M	75.0	90.0	4200	2600
GSPM5020P-6R8□	6.80	M	85.0	102.0	4000	2400
GSPM5020P-100□	10.00	M	135.0	162.0	3000	1900
GSPM5020P-150□	15.00	M	185.0	222.0	2500	1700

■ Inductance test Freq. : 100KHz / 0.1V

■ L-Tolerance : M = 20%

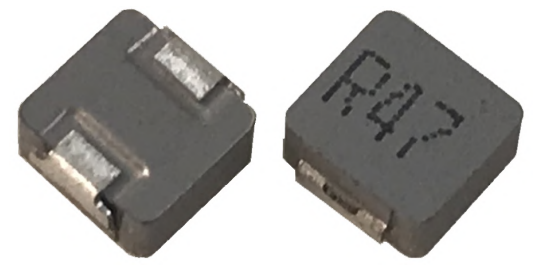
■ Isat : The value of DC current when the inductance is over 80% of the initial value. (at 25deg.C)

■ Irms : The actual value of DC current when the top surface of test sample temperature rise is $\Delta T = 40\text{deg.C}$ ($T_a = 25\text{deg.C}$).

Product Series : GSTC	Brand : GOTREND
File Version : GSTC-SERIES-V7R0	Editor : Teddy Sun
Established Date : 2009.09.01	Description : High Current Inductor
Latest Edit Date : 2020.10.30	Product Type : <input checked="" type="checkbox"/> Standard <input type="checkbox"/> Customize

Features & Application :

- * High performance (Isat) realized by metal dust core.
- * Low profile : 4.5mm x 4.3mm x 2.0mm
- * Low loss realized with low DCR
- * Capable of corresponding high frequency (1MHz)
- * 100% lead (Pb) free meet RoHS standard
- * DC/DC converter for CPU in Notebook PC



(Picture for reference only)

Part No. Example :

PN	:	GSTC	061	P	[]	-	R10	M	S
-----		-----	-----	---	---		-----	---	---
ID	:	1	2	3	4		5	6	7
1	:	GOTREND Series : GSTC							
2	:	Type Size Code : 061=7.4 X 6.8 X 1.8							
3	:	P=Pb free < 1000ppm							
4	:	[B] : Material Code							
5	:	[L] Value : Inductance R10=0.10uH							
6	:	[L] Tolerance: M=+/-20%							
7	:	Materials : [N] [S] [F] type							

Basic Information :

Made in	China
Pin Foot	SMD
Shielding	Yes
J-STD-020	MSL Level 1
RoHS	Compliant
REACH	Compliant
Halogen	Free

Operating & Storage Condition :

- * Operating Temp -40 ~ +125 deg.C (Including self - temperature rise)
- * Storage Temp 1. -10 ~ +45 deg.C , 50 ~ 60% RH (Product with taping)
2. -40 ~ +125 deg.C (On board)
- * Storage Life Time 12 MONTH (Less than 40 deg.C and 60% RH)

Attention & Caution :

- * Keep out of Splashing water or salt water
- * Avoid Toxic Gas (Hydrogen sulfide, Sulfurous acid, Chlorine, Ammonia)
- * Avoid Vibrations or shocks which exceed the specified condition
- * Avoid Dew condense
- * Avoid Layout near the edge of PCB
- * Avoid Over flexure after SMT mounting & PCBA



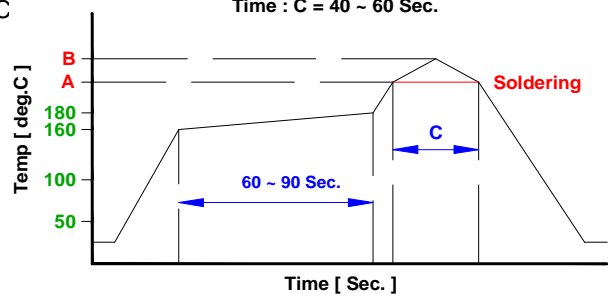
- * Pin foot or SMD pad solderability: Pb free type is best within 6 months after delivery
- * Humidity sensitive , IPC/JEDEC J-STD-020 MSL if over Level 1, recommend bake 30mins@150 degree before PCBA
- * Caution for human life relative applications : PLS contact & consult with GOTREND team in design stage.

Test Condition :

- * Equipment HP4284A , HP42841A - L , Q , DCR , IDC
HP8753D Network analyzer - SRF
- * Standard Atmosphere Conditions:
Ambient Temperature 20 ± 15 deg.C
Humidity RH 65 ± 20%
- * If there may be any doubt on the test result ,
Measurement shall be made within the following limits:
Ambient Temperature 25 ± 5 deg.C
Humidity RH 75 ± 10%

Recommend IR Reflow Curve : GTX-IR-FILE001

Lead Free Solder : A = 217 deg.C , B = 245+/-5 deg.C
Time : C = 40 ~ 60 Sec.

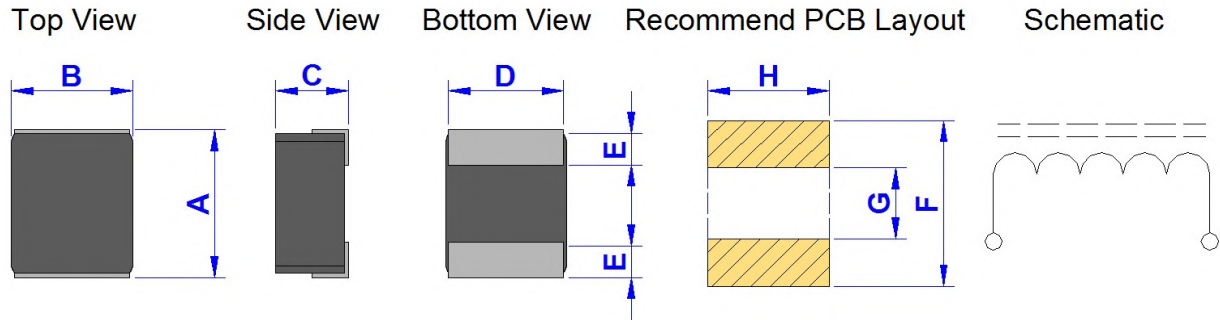


**Notice : Iron Soldering , Solder < 30 Watt ,
Direct touch the terminal x 3 Sec. Max. @ 350 deg.C**

Product Series : GSTC	Brand : GOTREND
File Version : GSTC-SERIES-V7R0	Editor : Teddy Sun
Established Date : 2009.09.01	Description : High Current Inductor
Latest Edit Date : 2020.10.30	Product Type : <input checked="" type="checkbox"/> Standard <input type="checkbox"/> Customize

GSTC252012PB-SERIES

Dimension [mm] :



A(Max.)	B(Max.)	C(Max.)	D+/-0.2	E+/-0.2	F(Ref.)	G(Ref.)	H(Ref.)
2.7	2.2	1.2	2.0	6.0	2.8	1.2	2.0

Electrical Characteristics :

Part No.	Inductance L(uH) +/- 20%	DCR (m Ohm) [Typ.] / [Max.]	Isat (Amp) Typ.	Irms (Amp) Typ.
GSTC252012PB-R22MS	0.22	8.0 / 10.0	7.00	7.30
GSTC252012PB-R33MS	0.33	14.0 / 17.0	5.80	5.50
GSTC252012PB-R47MS	0.47	23.0 / 28.0	5.00	4.50
GSTC252012PB-R50MS	0.50	25.0 / 30.0	4.80	4.30
GSTC252012PB-1R0MS	1.00	45.0 / 55.0	3.80	3.10
GSTC252012PB-1R5MS	1.50	58.0 / 70.0	2.90	2.70
GSTC252012PB-2R2MS	2.20	86.0 / 105.0	2.50	2.30
GSTC252012PB-3R3MS	3.30	120.0 / 144.0	2.00	1.75

* Test Condition @ 1MHz, 1.0Vrms, 25°C Ambient

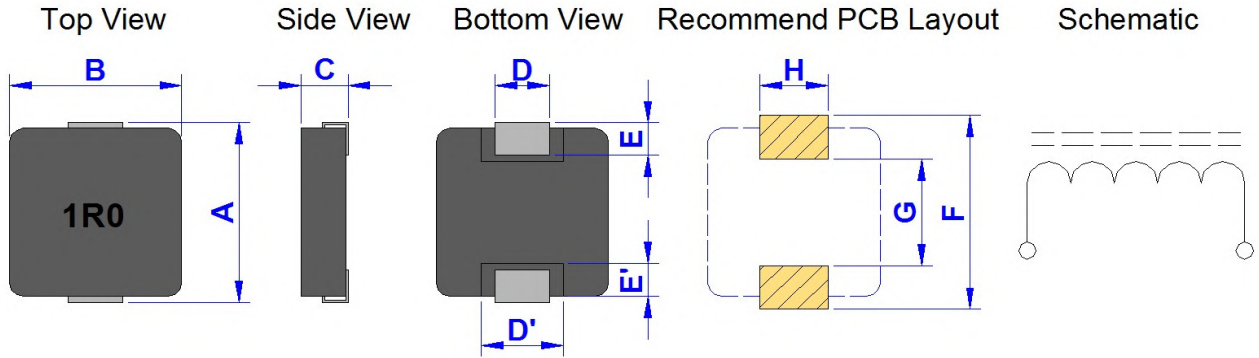
* Isat: Saturated Current measured at the point of L drop approximately 30%

* Iirms: Rated Current Loading when temperature rise approximately 40deg.C

Product Series : GSTC	Brand : GOTREND
File Version : GSTC-SERIES-V7R0	Editor : Teddy Sun
Established Date : 2009.09.01	Description : High Current Inductor
Latest Edit Date : 2020.10.30	Product Type : <input checked="" type="checkbox"/> Standard <input type="checkbox"/> Customize

GSTC042P-SERIES

Dimension [mm] :



Size	A(Max.)	B(Max.)	C(Max.)	D	D'	E	E'	F(Ref.)	G(Ref.)	H(Ref.)
042	4.5	4.3	2.0	1.5+/-0.3	2.2+/-0.2	0.8+/-0.3	1.0+/-0.1	5.2	2.2	2.5

Electrical Characteristics :

Part No.	Inductance L(uH) +/- 20%	DCR (m Ohm) [Typ.] / [Max.]	Isat (Amp) Typ.	Irms (Amp) Typ.
GSTC042 P-R10MN	0.10	4.50 / 5.00	30.0	11.0
GSTC042 P-R22MN	0.22	7.30 / 8.00	17.0	9.0
GSTC042 P-R47MN	0.47	14.00 / 15.50	11.5	6.0
GSTC042 P-1R0MN	1.00	32.00 / 36.00	8.5	3.8
GSTC042 P-R10MS	0.10	3.50 / 4.00	22.0	12.0
GSTC042 P-R22MS	0.22	6.00 / 6.60	12.5	9.0
GSTC042 P-R47MS	0.47	12.50 / 14.00	9.5	7.0
GSTC042 P-1R0MS	1.00	24.00 / 27.00	7.0	4.5
GSTC042 P-1R5MS	1.50	38.00 / 46.00	6.0	4.0
GSTC042 P-2R2MS	2.20	52.00 / 58.00	5.0	3.0
GSTC042 P-3R3MS	3.30	74.00 / 87.00	4.0	2.5

* Test Condition @ 100KHz, 1.0Vrms, 25°C Ambient

* Isat: Saturated Current measured at the point of L drop approximately 20% [N TYPE]

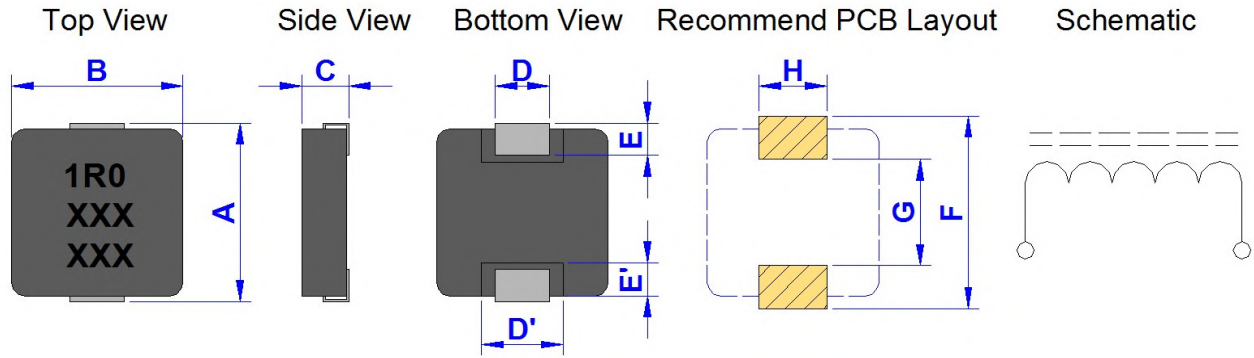
* Isat: Saturated Current measured at the point of L drop approximately 30% [S TYPE]

* Irms: Rated Current Loading when temperature rise approximately 40deg.C

Product Series : GSTC	Brand : GOTREND
File Version : GSTC-SERIES-V7R0	Editor : Teddy Sun
Established Date : 2009.09.01	Description : High Current Inductor
Latest Edit Date : 2020.10.30	Product Type : <input checked="" type="checkbox"/> Standard <input type="checkbox"/> Customize

GSTC053P-SERIES

Dimension [mm] :



Size	A(Max.)	B(Max.)	C(Max.)	D	D'	E	E'	F(Ref.)	G(Ref.)	H(Ref.)
053	5.2	4.9	3.0	1.5+/-0.3	2.2+/-0.2	1.0+/-0.3	1.5+/-0.1	7.0	3.0	2.5

Electrical Characteristics :

Part No.	Inductance L(uH) +/- 20%	DCR (m Ohm) [Typ.] / [Max.]	Isat (Amp) Typ.	Irms (Amp) Typ.
GSTC053 P-R68MN	0.68	11.0 / 12.00	14.0	8.5
GSTC053 P-1R0MN	1.00	13.0 / 14.00	11.0	7.0
GSTC053 P-1R2MN	1.20	15.0 / 16.00	11.0	6.5
GSTC053 P-1R5MN	1.50	20.0 / 25.00	10.0	6.0
GSTC053 P-2R2MN	2.20	29.0 / 35.00	9.0	5.5
GSTC053 P-3R3MN	3.30	32.0 / 38.00	7.0	5.0
GSTC053 P-R10MS	0.10	2.00 / 2.50	34.0	32.0
GSTC053 P-R12MS	0.12	2.20 / 2.60	32.0	30.0
GSTC053 P-R20MS	0.20	3.50 / 3.90	14.5	21.0
GSTC053 P-R22MS	0.22	3.50 / 3.90	14.5	21.0
GSTC053 P-R35MS	0.35	4.50 / 5.00	9.0	16.5
GSTC053 P-R47MS	0.47	7.40 / 8.50	12.0	13.0
GSTC053 P-R56MS	0.56	8.20 / 9.50	10.0	11.0
GSTC053 P-4R7MS	4.70	50.0 / 60.00	5.0	3.0
GSTC053 P-6R8MS	6.80	96.0 / 110.00	3.5	3.0

* Test Condition @ 100KHz, 1.0Vrms, 25oC Ambient

* Isat: Saturated Current measured at the point of L drop approximately 20% [N TYPE]

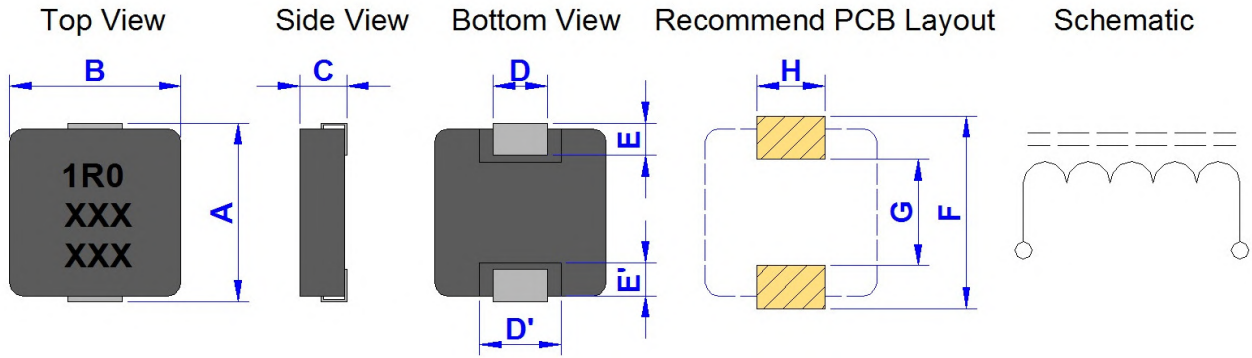
* Isat: Saturated Current measured at the point of L drop approximately 30% [S TYPE]

* Irms: Rated Current Loading when temperature rise approximately 40deg.C

Product Series : GSTC	Brand : GOTREND
File Version : GSTC-SERIES-V7R0	Editor : Teddy Sun
Established Date : 2009.09.01	Description : High Current Inductor
Latest Edit Date : 2020.10.30	Product Type : <input checked="" type="checkbox"/> Standard <input type="checkbox"/> Customize

GSTC061P-SERIES

Dimension [mm] :



Size	A(Max.)	B(Max.)	C(Max.)	D	D'	E	E'	F(Ref.)	G(Ref.)	H(Ref.)
061	7.4	6.8	1.8	3.0+/-0.3	3.6+/-0.2	1.6+/-0.3	2.0+/-0.1	8.4	3.7	3.5

Electrical Characteristics :

Part No.	Inductance L(uH) +/- 20%	DCR (m Ohm) [Typ.] / [Max.]	Isat (Amp) Typ.	Irms (Amp) Typ.
GSTC061 P-R10MS	0.10	2.00 / 2.50	45.0	18.0
GSTC061 P-R33MS	0.33	5.20 / 6.80	22.0	12.0
GSTC061 P-R47MS	0.47	7.30 / 8.40	18.0	11.0
GSTC061 P-R68MS	0.68	10.80 / 12.70	17.0	9.0
GSTC061 P-1R0MS	1.00	14.50 / 17.00	14.0	7.0
GSTC061 P-2R0MS	2.00	28.00 / 32.00	13.0	6.0
GSTC061 P-2R2MS	2.20	31.00 / 35.00	13.0	6.0
GSTC061 P-3R3MS	3.30	56.00 / 60.00	10.0	3.5
GSTC061 P-4R7MS	4.70	68.00 / 70.00	5.0	3.5

* Test Condition@100KHz,1.0Vrms, 25oC Ambient

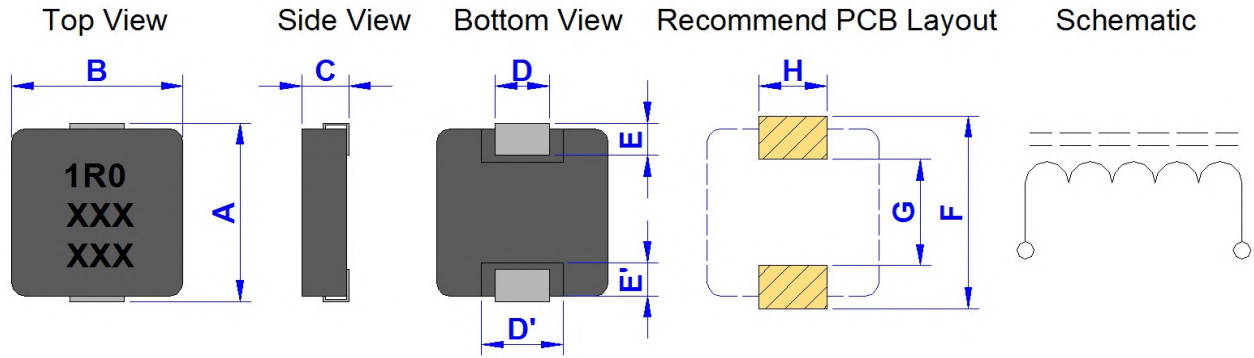
* Isat: Saturated Current measured at the point of L drop approximately 30%

* Irms: Rated Current Loading when temperature rise approximately 40deg.C

Product Series : GSTC	Brand : GOTREND
File Version : GSTC-SERIES-V7R0	Editor : Teddy Sun
Established Date : 2009.09.01	Description : High Current Inductor
Latest Edit Date : 2020.10.30	Product Type : <input checked="" type="checkbox"/> Standard <input type="checkbox"/> Customize

GSTC063P-SERIES

Dimension [mm] :



Size	A(Max.)	B(Max.)	C(Max.)	D	D'	E	E'	F(Ref.)	G(Ref.)	H(Ref.)
063	7.3	6.8	3.0	3.0+/-0.3	3.6+/-0.2	1.6+/-0.3	2.0+/-0.1	8.4	3.7	3.5

Electrical Characteristics :

Part No.	Inductance L(uH) +/- 20%	DCR (m Ohm) [Typ.] / [Max.]	Isat (Amp) Typ.	Irms (Amp) Typ.
GSTC063 P-1R5MS	1.50	10.80 / 12.00	11.5	9.0
GSTC063 P-2R2MS	2.20	18.00 / 20.00	10.0	8.0
GSTC063 P-4R7MS	4.70	32.50 / 35.00	6.5	5.5
GSTC063 P-8R2MS	8.20	54.00 / 60.00	6.0	4.5
GSTC063 P-100MS	10.00	62.00 / 68.00	5.5	4.0
GSTC063 P-R10MN	0.10	1.50 / 1.70	60.0	32.5
GSTC063 P-R20MN	0.20	2.40 / 3.00	41.0	24.0
GSTC063 P-R22MN	0.22	2.50 / 2.80	40.0	23.0
GSTC063 P-R25MN	0.25	3.00 / 3.50	39.0	21.0
GSTC063 P-R33MN	0.33	3.50 / 3.90	30.0	20.0
GSTC063 P-R47MN	0.47	4.00 / 4.20	26.0	17.5
GSTC063 P-R56MN	0.56	4.70 / 5.00	25.5	16.5
GSTC063 P-R68MN	0.68	5.00 / 5.50	25.0	15.5
GSTC063 P-R82MN	0.82	6.70 / 8.00	24.0	13.0
GSTC063 P-R90MN	0.90	9.00 / 10.00	22.0	11.0
GSTC063 P-1R0MN	1.00	9.00 / 10.00	22.0	11.0
GSTC063 P-1R2MN	1.20	10.00 / 12.00	20.0	10.0
GSTC063 P-1R5MN	1.50	14.00 / 15.00	18.0	9.0
GSTC063 P-2R2MN	2.20	18.00 / 20.00	14.0	8.0
GSTC063 P-2R5MN	2.50	20.00 / 22.00	14.0	7.0
GSTC063 P-3R3MN	3.30	28.00 / 30.00	13.5	6.0
GSTC063 P-4R7MN	4.70	37.00 / 40.00	10.0	5.5
GSTC063 P-6R8MN	6.80	54.00 / 60.00	8.0	4.5

* Test Condition @ 100KHz, 1.0Vrms, 25°C Ambient

* Isat: Saturated Current measured at the point of L drop approximately 20% [N TYPE]

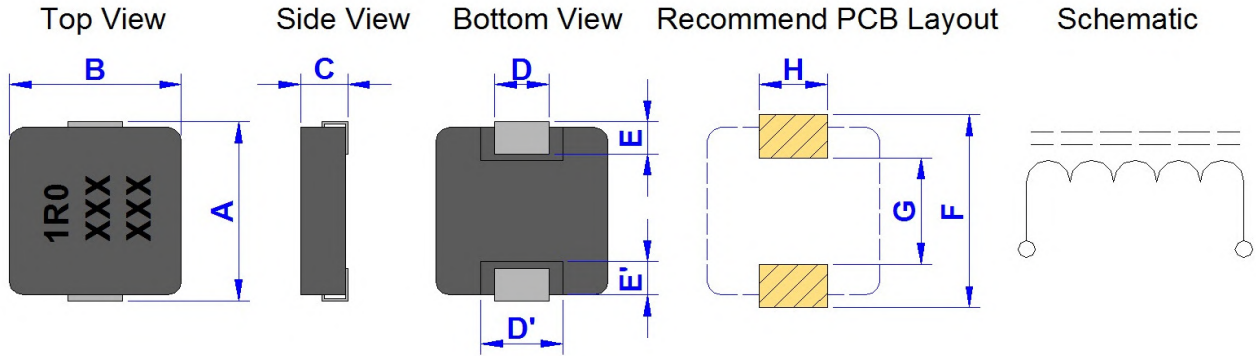
* Isat: Saturated Current measured at the point of L drop approximately 30% [S TYPE]

* I rms: Rated Current Loading when temperature rise approximately 40deg.C

Product Series : GSTC	Brand : GOTREND
File Version : GSTC-SERIES-V7R0	Editor : Teddy Sun
Established Date : 2009.09.01	Description : High Current Inductor
Latest Edit Date : 2020.10.30	Product Type : <input checked="" type="checkbox"/> Standard <input type="checkbox"/> Customize

GSTC104P-SERIES

Dimension [mm] :



Size	A(Max.)	B(Max.)	C(Max.)	D	D'	E	E'	F(Ref.)	G(Ref.)	H(Ref.)
104	11.5	10.3	4.0	3.0+/-0.5	5.0+/-0.2	2.0+/-0.5	2.5+/-0.1	13.6	5.4	4.1

Electrical Characteristics :

Part No.	Inductance L(uH) +/- 20%	DCR (m Ohm) [Typ.] / [Max.]	Isat (Amp) Typ.	Irms (Amp) Typ.
GSTC104 P-R15MN	0.15	0.50 / 0.65	75.0	40.0
GSTC104 P-R19MN	0.19	0.70 / 0.80	60.0	38.0
GSTC104 P-R22MN	0.22	0.90 / 1.00	60.0	35.0
GSTC104 P-R36MN	0.36	1.05 / 1.20	60.0	30.0
GSTC104 P-R39MN	0.39	1.10 / 1.30	60.0	30.0
GSTC104 P-R41MN	0.41	1.10 / 1.30	60.0	30.0
GSTC104 P-R45MN	0.45	1.10 / 1.30	45.0	29.0
GSTC104 P-R47MN	0.47	1.60 / 1.80	40.0	26.0
GSTC104 P-R56MN	0.56	1.60 / 1.80	33.0	25.0
GSTC104 P-R68MN	0.68	2.40 / 2.70	39.0	22.0
GSTC104 P-R88MN	0.88	2.70 / 3.00	38.0	20.0
GSTC104 P-1R0MN	1.00	3.00 / 3.30	36.0	18.0
GSTC104 P-1R5MN	1.50	3.80 / 4.20	33.0	16.0
GSTC104 P-2R2MN	2.20	6.70 / 7.00	27.0	12.0
GSTC104 P-4R7MN	4.70	15.00 / 16.50	17.0	9.5
GSTC104 P-3R3MS	3.30	10.80 / 11.80	16.0	10.0

* Test Condition @100KHz, 1.0Vrms, 25oC Ambient

* Isat: Saturated Current measured at the point of L drop approximately 20% [N TYPE]

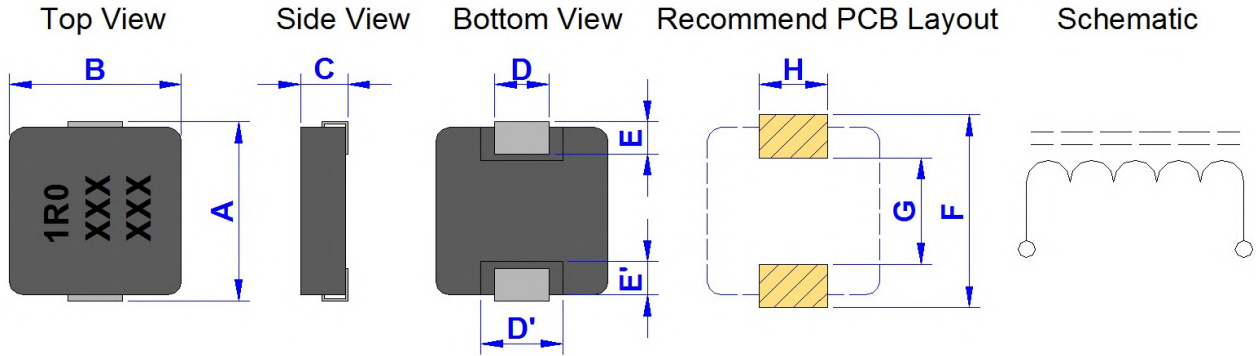
* Isat: Saturated Current measured at the point of L drop approximately 30% [S TYPE]

* Irms: Rated Current Loading when temperature rise approximately 40deg.C

Product Series : GSTC	Brand : GOTREND
File Version : GSTC-SERIES-V7R0	Editor : Teddy Sun
Established Date : 2009.09.01	Description : High Current Inductor
Latest Edit Date : 2020.10.30	Product Type : <input checked="" type="checkbox"/> Standard <input type="checkbox"/> Customize

GSTC133P-SERIES

Dimension [mm] :



Size	A(Max.)	B(Max.)	C(Max.)	D	D'	E	E'	F(Ref.)	G(Ref.)	H(Ref.)
133	13.8	12.8	3.5	BY ITEM	6.0+/-0.2	2.0+/-0.5	2.5+/-0.1	14.5	8.5	5.0

* D Dimension : L < 1R0 : 4.0 mm +/-0.5 ; L >= 1R0 : 3.0 mm +/-0.5

Electrical Characteristics :

Part No.	Inductance L(uH) +/- 20%	DCR (m Ohm) [Typ.] / [Max.]	Isat (Amp) Typ.	Irms (Amp) Typ.
GSTC133 P-R22MF	0.22	1.10 / 1.30	65.0	38.0
GSTC133 P-R33MF	0.33	1.30 / 1.50	62.0	36.5
GSTC133 P-R39MF	0.39	1.10 / 1.30	65.0	38.0
GSTC133 P-R47MF	0.47	1.70 / 2.00	55.0	32.0
GSTC133 P-R56MF	0.56	1.80 / 2.20	51.0	29.0
GSTC133 P-R62MF	0.62	1.80 / 2.20	51.0	29.0
GSTC133 P-R68MF	0.68	2.30 / 2.50	49.0	28.0
GSTC133 P-1R0MF	1.00	3.30 / 3.50	40.0	24.0
GSTC133 P-1R5MF	1.50	5.10 / 5.50	35.0	19.0
GSTC133 P-2R2MF	2.20	7.20 / 8.00	29.0	16.0
GSTC133 P-3R3MF	3.30	10.00 / 12.00	27.0	12.0
GSTC133 P-4R7MF	4.70	16.00 / 18.00	22.0	9.0

* Test Condition@100KHz,1.0Vrms, 25oC Ambient

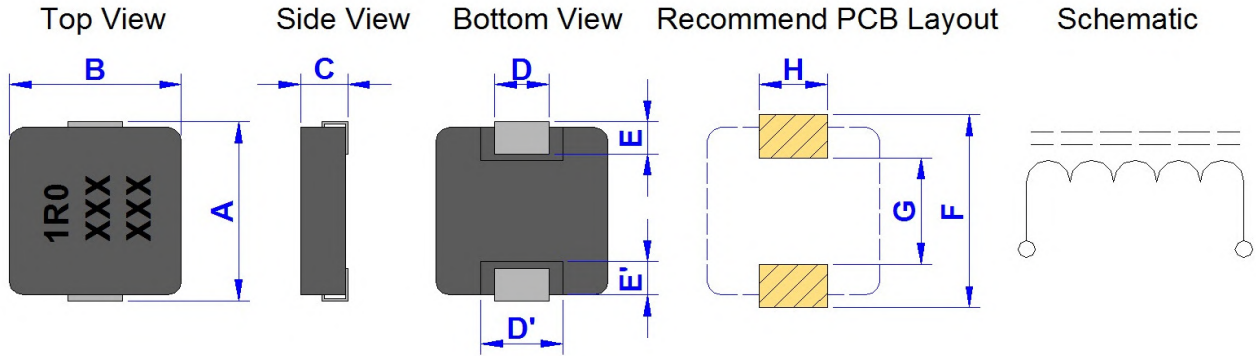
* Isat: Saturated Current measured at the point of L drop approximately 20%

* Irms: Rated Current Loading when temperature rise approximately 40deg.C

Product Series : GSTC	Brand : GOTREND
File Version : GSTC-SERIES-V7R0	Editor : Teddy Sun
Established Date : 2009.09.01	Description : High Current Inductor
Latest Edit Date : 2020.10.30	Product Type : <input checked="" type="checkbox"/> Standard <input type="checkbox"/> Customize

GSTC135P-SERIES

Dimension [mm] :



Size	A(Max.)	B(Max.)	C(Max.)	D	D'	E	E'	F(Ref.)	G(Ref.)	H(Ref.)
135	14.0	12.8	5.2	BY ITEM	6.0+/-0.2	2.0+/-0.5	2.5+/-0.1	14.5	8.0	5.0

* D Dimension : L < 2R2 : 4.0 mm +/-0.5 ; L >= 2R2 : 3.0 mm +/-0.5

Electrical Characteristics :

Part No.	Inductance L(uH) +/- 20%	DCR (m Ohm) [Typ.] / [Max.]	Isat (Amp) Typ.	Irms (Amp) Typ.
GSTC135 P-R15MF	0.15	0.55 / 0.70	110.0	45.0
GSTC135 P-R36MF	0.36	0.77 / 1.10	75.0	41.0
GSTC135 P-R47MF	0.47	1.10 / 1.30	65.0	38.0
GSTC135 P-R50MF	0.50	1.20 / 1.50	55.0	36.0
GSTC135 P-R56MF	0.56	1.20 / 1.50	55.0	36.0
GSTC135 P-R62MF	0.62	1.50 / 1.70	54.0	34.0
GSTC135 P-R68MF	0.68	1.50 / 1.70	54.0	34.0
GSTC135 P-R82MF	0.82	1.80 / 2.10	53.0	31.0
GSTC135 P-1R0MF	1.00	2.10 / 2.50	50.0	29.0
GSTC135 P-1R2MF	1.20	2.60 / 3.00	49.0	25.0
GSTC135 P-1R5MF	1.50	3.40 / 4.10	48.0	23.0
GSTC135 P-2R2MF	2.20	4.60 / 5.50	32.0	20.0
GSTC135 P-3R3MF	3.30	7.70 / 9.20	32.0	15.0
GSTC135 P-4R7MF	4.70	12.80 / 15.00	27.0	12.0
GSTC135 P-6R3MF	6.30	15.40 / 18.50	21.0	11.0
GSTC135 P-6R8MF	6.80	15.40 / 18.50	21.0	11.0

* Test Condition @ 100KHz, 1.0Vrms, 25oC Ambient

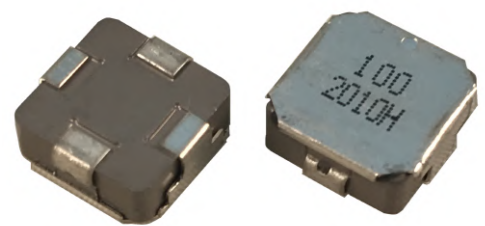
* Isat: Saturated Current measured at the point of L drop approximately 20%

* Irms: Rated Current Loading when temperature rise approximately 40deg.C

Product Series : GSTCM	Brand : GOTREND
File Version : GSTCM-SERIES-AE-V1R1	Editor : Teddy Sun
Established Date : 2019.02.18	Description : SMT Composite Molding Inductor
Latest Edit Date : 2020.10.30	Product Type : <input checked="" type="checkbox"/> Standard <input type="checkbox"/> Customize

Features & Application :

- * Ultra low buzz noise , due to composite construction.
- * High performance (Isat) realized by metal dust core.
- * Low loss realized with low DCR
- * Capable of corresponding high frequency.
- * 100% lead (Pb) free meet RoHS standard.
- * DC/DC converter for CPU in Notebook PC.



(Picture for reference only)

Part No. Example :

PN	:	GSTCM	6030	P	-	100	M
-----		-----	-----	---		-----	---
ID	:	1	2	3		4	5
1	:	GOTREND Series : GSTCM					
2	:	Type Size Code : 6030 = 7.2 x 7.2 x 3.2 mm					
3	:	P = Pb free < 1000 ppm					
4	:	[L] Value : Inductance 100 = 10.0 uH					
5	:	[L] Tolerance : M = +/-20%					

Basic Information :

Made in	China
Pin Foot	SMD
Shielding	Yes
J-STD-020	MSL Level 1
RoHS	Compliant
REACH	Compliant
Halogen	Free

Operating & Storage Condition :

- * Operating Temp -40 ~ +125 deg.C (Including self - temperature rise)
- * Storage Temp 1. -10 ~ +45 deg.C , 50 ~ 60% RH (Product with taping)
2. -40 ~ +125 deg.C (On board)
- * Storage Life Time 12 Month (Less than 40 deg.C and 60% RH)

Attention & Caution :

- * Keep out of Splashing water or salt water
- * Avoid Toxic Gas (Hydrogen sulfide, Sulfurous acid, Chlorine, Ammonia)
- * Avoid Vibrations or shocks which exceed the specified condition
- * Avoid Dew condense
- * Avoid Layout near the edge of PCB
- * Avoid Over flexure after SMT mounting & PCBA



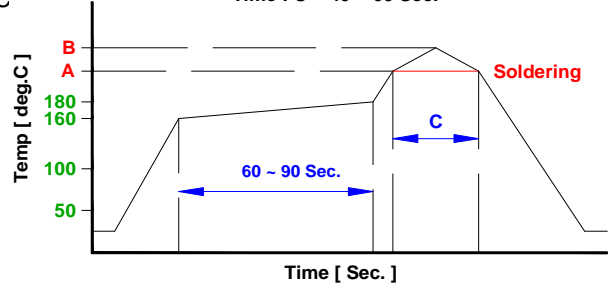
- * Pin foot or SMD pad solderability: Pb free type is best within 6 months after delivery
- * Humidity sensitive , IPC/JEDEC J-STD-020 MSL if over Level 1, recommend bake 30mins@150 degree before PCBA
- * Caution for human life relative applications : PLS contact & consult with GOTREND team in design stage.

Test Condition :

- * Equipment HP4284A , HP42841A - L , Q , DCR , IDC
HP8753D Network analyzer - SRF
- * Standard Atmosphere Conditions:
Ambient Temperature 20 ± 15 deg.C
Humidity RH 65 ± 20%
- * If there may be any doubt on the test result ,
Measurement shall be made within the following limits:
Ambient Temperature 25 ± 5 deg.C
Humidity RH 75 ± 10%

Recommend IR Reflow Curve : GTX-IR-FILE001

Lead Free Solder : A = 217 deg.C , B = 245+/-5 deg.C
Time : C = 40 ~ 60 Sec.

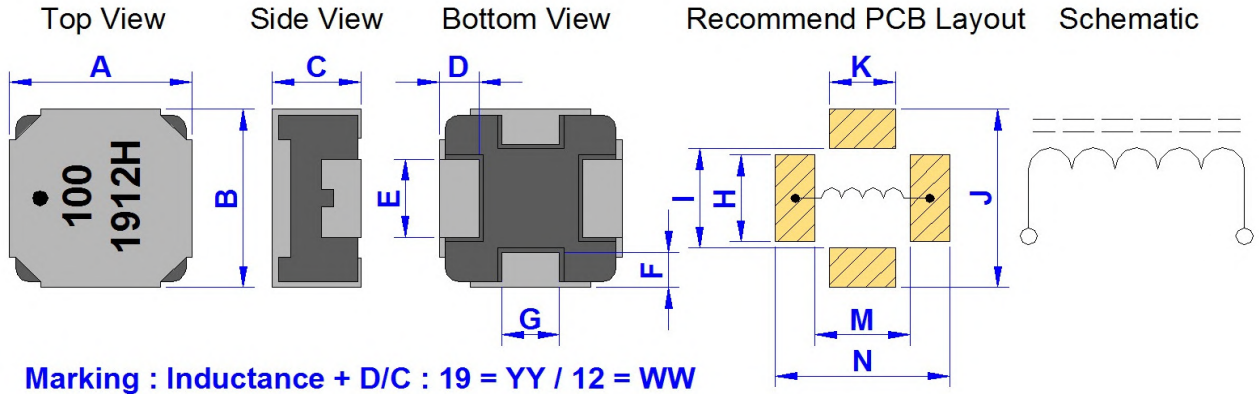


**Notice : Iron Soldering , Solder < 30 Watt ,
Direct touch the terminal x 3 Sec. Max. @ 350 deg.C**

Product Series : GSTCM	Brand : GOTREND
File Version : GSTCM-SERIES-AE-V1R1	Editor : Teddy Sun
Established Date : 2019.02.18	Description : SMT Composite Molding Inductor
Latest Edit Date : 2020.10.30	Product Type : <input checked="" type="checkbox"/> Standard <input type="checkbox"/> Customize

GSTCM6030P-SERIES

Dimension [mm] :



Size	A(+/-0.3)	B(+/-0.3)	C(+/-0.3)	D(+/-0.3)	E(+/-0.2)	F(+/-0.3)	G(+/-0.2)	H(Ref.)	I(Ref.)	J(Ref.)	K(Ref.)	M(Ref.)	N(Ref.)
6030	7.2	7.2	3.2	1.4	3.0	1.4	2.1	3.4	3.9	8.4	2.4	3.9	8.4

Electrical Characteristics :

Part No.	Inductance (uH)	DCR (m Ohm)		Isat (Amp)		Irms (Amp)	
		Typ.	Max.	Typ.	Max.	Typ.	Max.
GSTCM6030P-R47M	0.47	3.87	4.14	20.0	17.0	20.0	17.0
GSTCM6030P-R68M	0.68	5.00	5.50	19.0	16.0	17.0	15.0
GSTCM6030P-1R0M	1.00	7.00	8.00	18.0	15.0	13.0	11.0
GSTCM6030P-1R5M	1.50	11.00	13.20	15.0	13.0	10.8	9.5
GSTCM6030P-2R2M	2.20	16.30	18.00	12.0	10.8	8.8	7.7
GSTCM6030P-3R3M	3.30	26.00	28.40	11.0	9.5	7.3	6.5
GSTCM6030P-4R7M	4.70	35.00	38.40	9.0	8.0	6.4	5.5
GSTCM6030P-5R6M	5.60	41.60	45.60	8.0	7.0	5.6	4.8
GSTCM6030P-6R8M	6.80	52.20	57.40	7.0	6.0	5.0	4.4
GSTCM6030P-100M	10.00	63.00	68.00	5.0	4.5	4.5	4.0
GSTCM6030P-150M	15.00	105.00	116.00	4.0	3.5	3.5	3.0
GSTCM6030P-220M	22.00	155.00	171.00	3.5	3.1	3.0	2.6

* Inductance Tolerance : M = +/-20%

* Test Condition @100KHz , 1.0Vrms

* All test data referenced to 25o C Ambient.

* Irms : Rated current loading when temperature rise approximately 40oC.

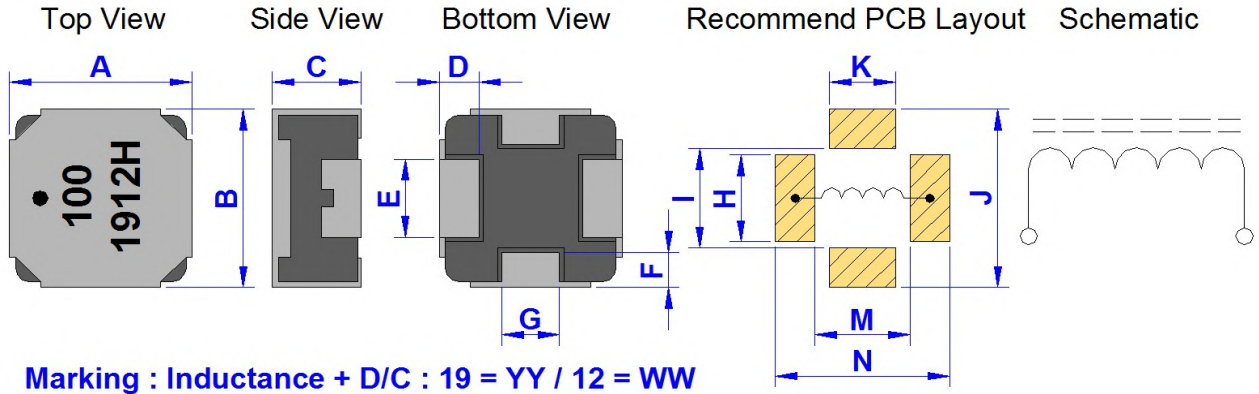
* Isat : Saturated current measured at the point of L drop approximately 30%.

* Rated operating voltage (across inductor) 50V.

Product Series : GSTCM	Brand : GOTREND
File Version : GSTCM-SERIES-AE-V1R1	Editor : Teddy Sun
Established Date : 2019.02.18	Description : SMT Composite Molding Inductor
Latest Edit Date : 2020.10.30	Product Type : <input checked="" type="checkbox"/> Standard <input type="checkbox"/> Customize

GSTCM1040P-SERIES

Dimension [mm] :



16	A(+/-0.3)	B(+/-0.3)	C(+/-0.3)	D(+/-0.3)	E(+/-0.2)	F(+/-0.3)	G(+/-0.2)	H(Ref.)	I(Ref.)	J(Ref.)	K(Ref.)	M(Ref.)	N(Ref.)
1040	11.0	11.0	4.2	2.1	3.0	1.8	3.0	3.3	6.3	12.1	3.3	5.8	12.1

Electrical Characteristics :

Part No.	Inductance (uH)	DCR (m Ohm)		Isat (Amp)		Irms (Amp)	
		Typ.	Max.	Typ.	Max.	Typ.	Max.
GSTCM1040P-R47M	0.47	1.80	1.98	40.0	37.0	30.0	26.0
GSTCM1040P-1R0M	1.00	3.00	3.30	35.0	32.0	23.5	20.0
GSTCM1040P-1R5M	1.50	4.45	4.90	30.0	27.0	22.0	18.0
GSTCM1040P-2R2M	2.20	6.80	7.50	27.0	23.0	15.5	14.0
GSTCM1040P-3R3M	3.30	10.80	11.80	21.0	18.0	13.0	11.0
GSTCM1040P-4R7M	4.70	14.00	15.40	18.0	16.0	10.8	9.8
GSTCM1040P-5R6M	5.60	16.00	17.60	15.0	13.5	9.7	8.8
GSTCM1040P-6R8M	6.80	20.30	22.40	13.0	12.0	9.0	8.2
GSTCM1040P-100M	10.00	28.00	32.20	9.5	8.5	7.3	6.6
GSTCM1040P-150M	15.00	42.00	48.00	8.2	7.7	6.0	5.5
GSTCM1040P-220M	22.00	60.00	70.00	7.0	6.5	5.2	4.7
GSTCM1040P-330M	33.00	94.00	110.00	6.0	5.5	4.4	3.7
GSTCM1040P-470M	47.00	147.00	170.00	5.0	4.5	3.3	2.9
GSTCM1040P-680M	68.00	215.00	248.00	3.5	3.1	2.6	2.3

- * Inductance Tolerance : M = +/-20%
- * Test Condition @100KHz , 1.0Vrms
- * All test data referenced to 25o C Ambient.
- * Irms : Rated current loading when temperature rise approximately 40oC.
- * Isat : Saturated current measured at the point of L drop approximately 30%.
- * Rated operating voltage (across inductor) 50V.

Product Series : GSTD	Brand : GOTREND
File Version : GSTD-SERIES-V5R7	Editor : Teddy Sun
Established Date : 2011.08.08	Description : High Current Inductor
Latest Edit Date : 2020.10.30	Product Type : <input checked="" type="checkbox"/> Standard <input type="checkbox"/> Customize

Features & Application :

- * High performance (Isat) realized by metal dust core.
- * Low loss realized with low DCR
- * Capable of corresponding high frequency
- * 100% lead (Pb) free meet RoHS standard
- * DC / DC converter for CPU in Notebook PC



(Picture for reference only)

Part No. Example :

PN	:	GSTD	6030	P	E	-	100	M
-----		-----	-----	---	---		----	---
ID	:	1	2	3	4		5	6
1	:	GOTREND Series : GSTD						
2	:	Type Size Code : 6030 = 7.4 x 6.6 x 3.0 mm						
3	:	P = Pb free < 1000 ppm						
4	:	[E] : Material Code						
5	:	[L] Value : Inductance 100 = 10.0 uH , Ex. 6R8 = 6.8 uH						
6	:	[L] Tolerance : M = +/-20%						

Basic Information :

Made in	China
Pin Foot	SMD
Shielding	Yes
J-STD-020	MSL Level 1
RoHS	Compliant
REACH	Compliant
Halogen	Free

Operating & Storage Condition :

- * Operating Temp -40 ~ +125 deg.C (Including self - temperature rise)
- * Storage Temp 1. -10 ~ +45 deg.C , 50 ~ 60% RH (Product with taping)
2. -40 ~ +125 deg.C (On board)
- * Storage Life Time 12 Month (Less than 40 deg.C and 60% RH)

Attention & Caution :

- * Keep out of Splashing water or salt water
- * Avoid Toxic Gas (Hydrogen sulfide, Sulfurous acid, Chlorine, Ammonia)
- Vibrations or shocks which exceed the specified condition
- Dew condense
- Layout near the edge of PCB
- Over flexure after SMT mounting & PCBA



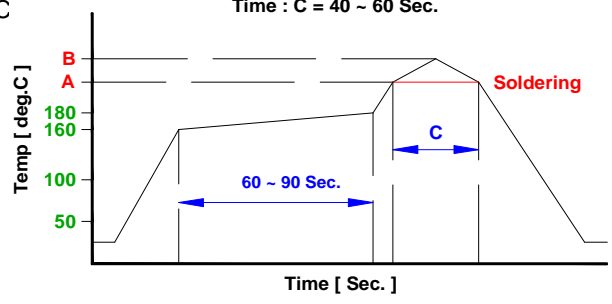
- * Pin foot or SMD pad solderability: Pb free type is best within 6 months after delivery
- * Humidity sensitive , IPC/JEDEC J-STD-020 MSL if over Level 1, recommend bake 30mins@150 degree before PCBA
- * Caution for human life relative applications : PLS contact & consult with GOTREND team in design stage.

Test Condition :

- * Equipment HP4284A , HP42841A - L , Q , DCR , IDC
HP8753D Network analyzer - SRF
- * Standard Atmosphere Conditions:
Ambient Temperature 20 ± 15 deg.C
Humidity RH 65 ± 20%
- * If there may be any doubt on the test result ,
Measurement shall be made within the following limits:
Ambient Temperature 25 ± 5 deg.C
Humidity RH 75 ± 10%

Recommend IR Reflow Curve : GTX-IR-FILE001

Lead Free Solder : A = 217 deg.C , B = 245+/-5 deg.C
Time : C = 40 ~ 60 Sec.

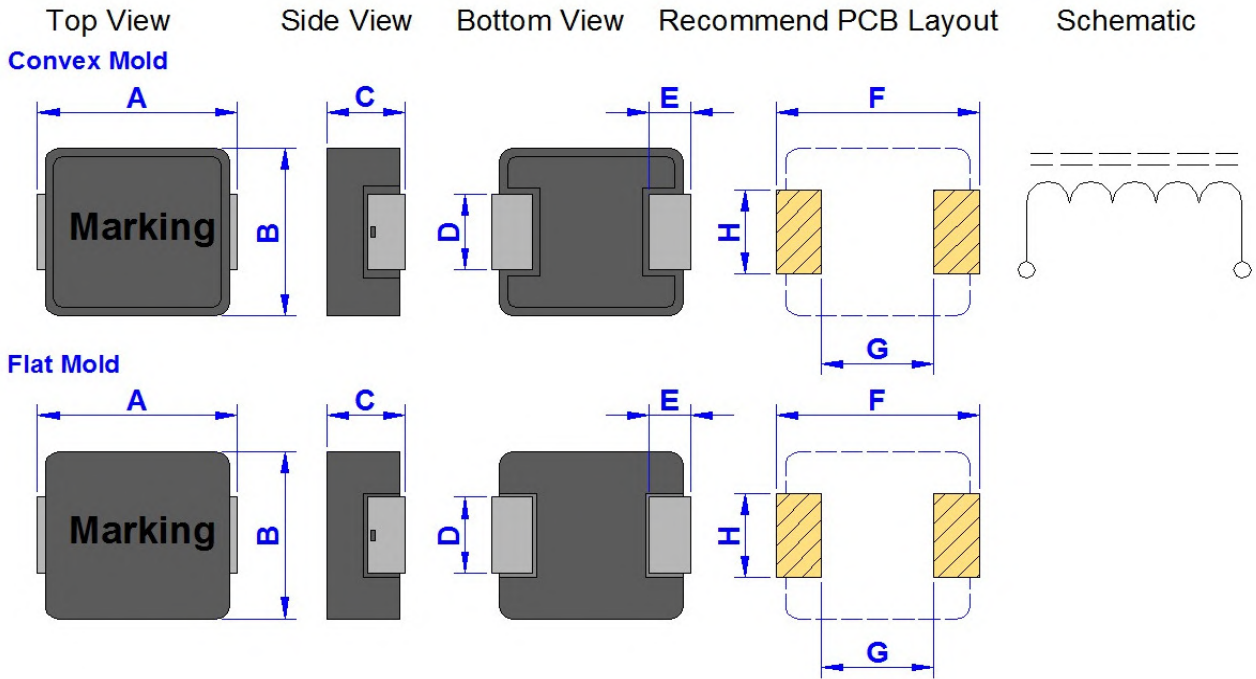


**Notice : Iron Soldering , Solder < 30 Watt ,
Direct touch the terminal x 3 Sec. Max. @ 350 deg.C**

Product Series : GSTD	Brand : GOTREND
File Version : GSTD-SERIES-V5R7	Editor : Teddy Sun
Established Date : 2011.08.08	Description : High Current Inductor
Latest Edit Date : 2020.10.30	Product Type : <input checked="" type="checkbox"/> Standard <input type="checkbox"/> Customize

GSTD4012PJ-SERIES

Dimension [mm] :



Size	A	B	C	D	E	F(Ref.)	G(Ref.)	H(Ref.)
4012PJ	4.50+/-0.20	4.00+/-0.20	1.10+/-0.10	BY ITEM	1.00+/-0.30	4.80	2.20	BY ITEM

Electrical Characteristics :

Part No.	Inductance (uH) +/-20%	DCR (m Ohm) Typ.	DCR (m Ohm) Max.	Isat (Amp) Typ.	Irms (Amp) Typ.	Dimension "D" (mm)	Dimension "H" (mm) Ref.
GSTD4012PJ-R22M	0.22	7.80	9.30	10.00	9.00	0.6 +/- 0.1	1.5
GSTD4012PJ-R47M	0.47	16.50	20.00	9.00	6.50	0.6 +/- 0.1	1.5
GSTD4012PJ-R56M	0.56	22.00	25.00	8.00	5.50	0.6 +/- 0.1	1.5
GSTD4012PJ-1R0M	1.00	28.30	33.60	6.33	4.80	0.6 +/- 0.1	1.5
GSTD4012PJ-1R2M	1.20	41.00	45.00	6.00	3.00	0.6 +/- 0.1	1.5
GSTD4012PJ-1R5M	1.50	45.00	50.00	5.50	3.00	0.6 +/- 0.1	1.5

* Test Condition : @100KHz , 1.0Vrms , 25deg.C Ambient

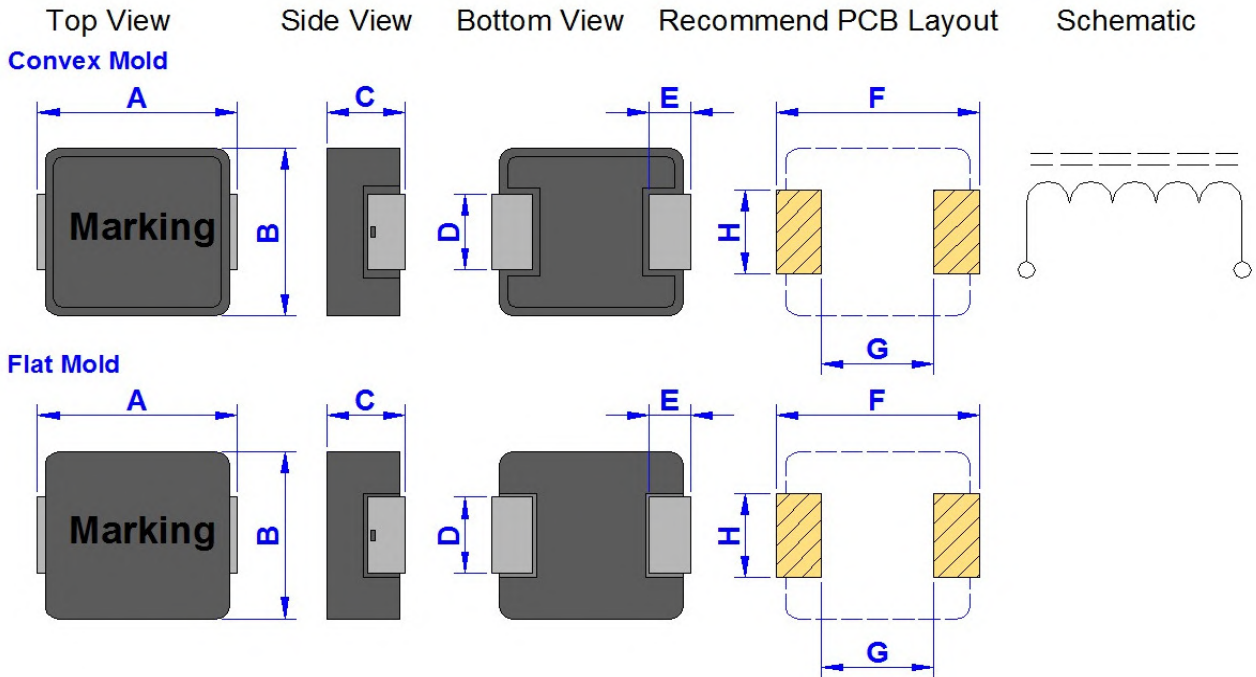
* I_{rms} : Rated Current Loading when temperature rise approximately 40deg.C

* I_{sat} : Saturated Current measured at the point of L drop approximately 20%

Product Series : GSTD	Brand : GOTREND
File Version : GSTD-SERIES-V5R7	Editor : Teddy Sun
Established Date : 2011.08.08	Description : High Current Inductor
Latest Edit Date : 2020.10.30	Product Type : <input checked="" type="checkbox"/> Standard <input type="checkbox"/> Customize

GSTD4012PM-SERIES

Dimension [mm] :



Size	A	B	C	D	E	F(Ref.)	G(Ref.)	H(Ref.)
4012PM	4.45+/-0.25	4.06+/-0.25	1.10+/-0.10	BY ITEM	0.76+/-0.30	4.80	2.20	BY ITEM

Electrical Characteristics :

Part No.	Inductance (uH) +/-20%	DCR (m Ohm) Typ.	DCR (m Ohm) Max.	Isat (Amp) Typ.	Irms (Amp) Typ.	Dimension "D" (mm)	Dimension "H" (mm) Ref.
GSTD4012PM-R33M	0.33	17.00	19.00	8.40	6.50	2.0 +/- 0.3	2.5
GSTD4012PM-R47M	0.47	19.00	21.00	6.80	6.00	2.0 +/- 0.3	2.5
GSTD4012PM-1R0M	1.00	43.00	47.00	5.20	4.20	2.0 +/- 0.3	2.5
GSTD4012PM-1R5M	1.50	68.00	75.00	4.00	3.25	2.0 +/- 0.3	2.5
GSTD4012PM-2R2M	2.20	79.40	83.50	3.50	2.75	2.0 +/- 0.3	2.5

* Test Condition : @100KHz , 1.0Vrms , 25deg.C Ambient

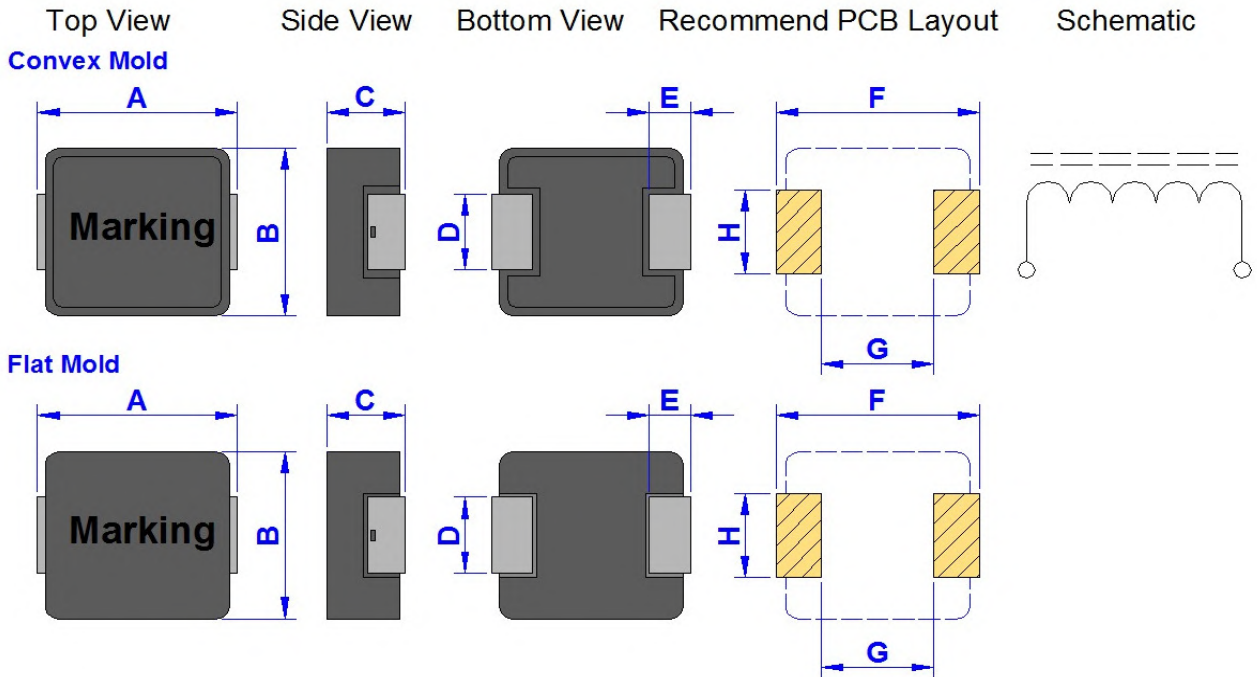
* I_{rms} : Rated Current Loading when temperature rise approximately 40deg.C

* I_{sat} : Saturated Current measured at the point of L drop approximately 30%

Product Series : GSTD	Brand : GOTREND
File Version : GSTD-SERIES-V5R7	Editor : Teddy Sun
Established Date : 2011.08.08	Description : High Current Inductor
Latest Edit Date : 2020.10.30	Product Type : <input checked="" type="checkbox"/> Standard <input type="checkbox"/> Customize

GSTD4015PJ-SERIES

Dimension [mm] :



Size	A	B	C	D	E	F(Ref.)	G(Ref.)	H(Ref.)
4015PJ	4.50+/-0.20	4.00+/-0.20	1.40+/-0.10	BY ITEM	1.00+/-0.30	4.80	2.20	BY ITEM

Electrical Characteristics :

Part No.	Inductance (uH) +/-20%	DCR (m Ohm) Typ.	DCR (m Ohm) Max.	Isat (Amp) Typ.	Irms (Amp) Typ.	Dimension "D" (mm)	Dimension "H" (mm) Ref.
GSTD4015PJ-R22M	0.22	6.40	7.60	11.00	9.50	0.6 +/- 0.1	1.5
GSTD4015PJ-R47M	0.47	12.00	14.40	9.00	7.50	0.6 +/- 0.1	1.5
GSTD4015PJ-1R0M	1.00	23.50	27.00	7.00	5.00	0.6 +/- 0.1	1.5
GSTD4015PJ-1R2M	1.20	28.30	33.60	6.00	4.90	0.6 +/- 0.1	1.5
GSTD4015PJ-1R5M	1.50	32.00	38.40	6.00	4.00	0.6 +/- 0.1	1.5
GSTD4015PJ-2R2M	2.20	47.00	56.40	4.50	3.00	0.6 +/- 0.1	1.5

* Test Condition : @100KHz , 1.0Vrms , 25deg.C Ambient

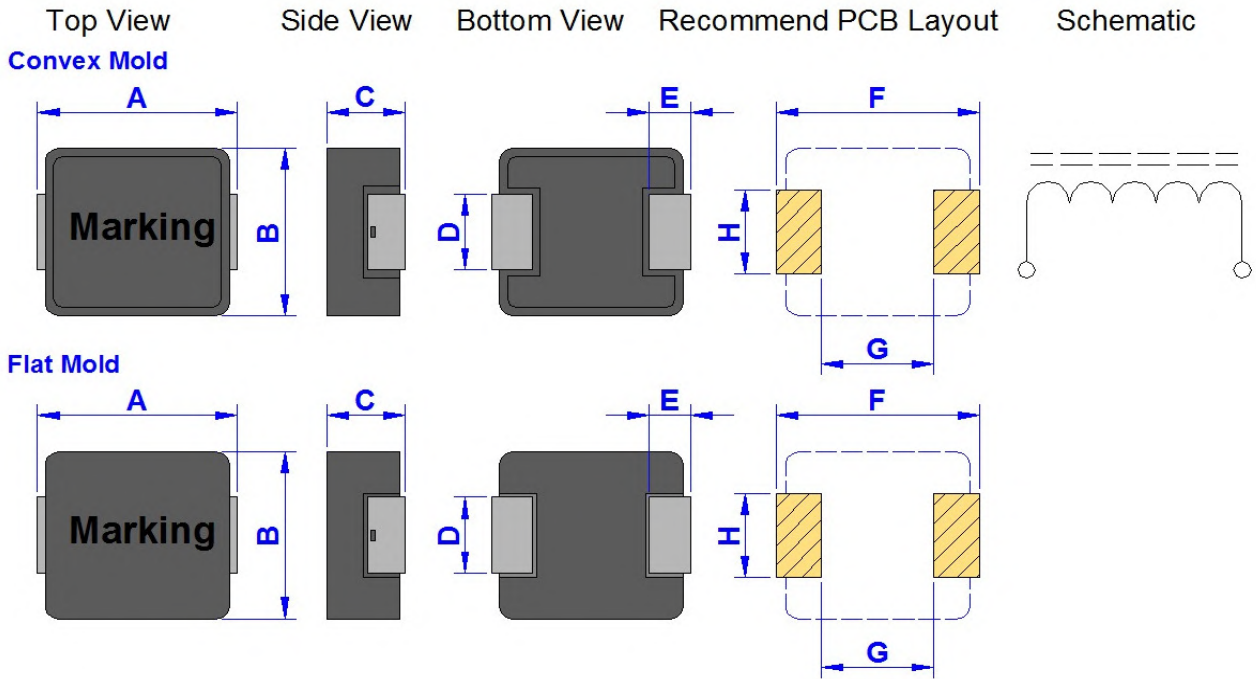
* I_{rms} : Rated Current Loading when temperature rise approximately 40deg.C

* I_{sat} : Saturated Current measured at the point of L drop approximately 20%

Product Series : GSTD	Brand : GOTREND
File Version : GSTD-SERIES-V5R7	Editor : Teddy Sun
Established Date : 2011.08.08	Description : High Current Inductor
Latest Edit Date : 2020.10.30	Product Type : <input checked="" type="checkbox"/> Standard <input type="checkbox"/> Customize

GSTD4020PE-SERIES

Dimension [mm] :



Size	A	B	C	D	E	F(Ref.)	G(Ref.)	H(Ref.)
4020PE	4.50+/-0.20	4.00+/-0.20	1.80+/-0.20	BY ITEM	0.76+/-0.30	4.80	2.20	BY ITEM

Electrical Characteristics :

Part No.	Inductance (uH) +/-20%	DCR (m Ohm) Typ.	DCR (m Ohm) Max.	Isat (Amp) Typ.	Irms (Amp) Typ.	Dimension "D" (mm)	Dimension "H" (mm) Ref.
GSTD4020PE-R10M	0.10	3.50	4.00	22.00	12.00	1.5 +/- 0.3	2.5
GSTD4020PE-R22M	0.22	6.00	6.60	12.50	9.00	1.5 +/- 0.3	2.5
GSTD4020PE-R47M	0.47	12.50	14.00	9.50	7.00	1.5 +/- 0.3	2.5
GSTD4020PE-R56M	0.56	14.00	16.00	10.00	6.50	1.5 +/- 0.3	2.5
GSTD4020PE-R68M	0.68	16.00	18.00	9.00	6.00	1.5 +/- 0.3	2.5
GSTD4020PE-1R0M	1.00	24.00	27.00	7.00	4.50	1.5 +/- 0.3	2.5
GSTD4020PE-1R2M	1.20	24.00	27.00	7.00	4.50	1.5 +/- 0.3	2.5
GSTD4020PE-1R5M	1.50	38.00	46.00	6.00	4.00	1.5 +/- 0.3	2.5
GSTD4020PE-2R2M	2.20	52.00	58.00	5.00	3.00	1.5 +/- 0.3	2.5
GSTD4020PE-3R3M	3.30	74.00	87.00	4.00	2.50	1.5 +/- 0.3	2.5
GSTD4020PE-4R7M	4.70	98.00	110.00	3.50	2.00	1.5 +/- 0.3	2.5
GSTD4020PE-100M	10.00	256.00	282.00	2.20	1.20	1.5 +/- 0.3	2.5

* Test Condition : @100KHz , 1.0Vrms , 25deg.C Ambient

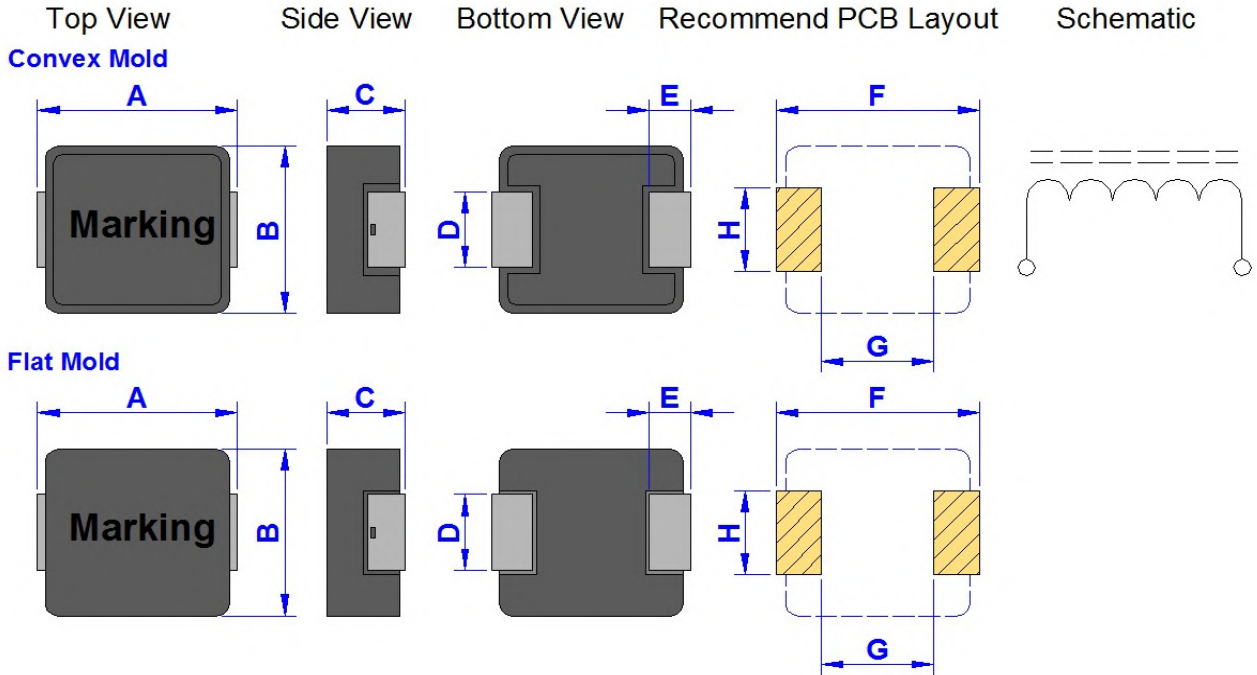
* Irms : Rated Current Loading when temperature rise approximately 40deg.C

* Isat : Saturated Current measured at the point of L drop approximately 30%

Product Series : GSTD	Brand : GOTREND
File Version : GSTD-SERIES-V5R7	Editor : Teddy Sun
Established Date : 2011.08.08	Description : High Current Inductor
Latest Edit Date : 2020.10.30	Product Type : <input checked="" type="checkbox"/> Standard <input type="checkbox"/> Customize

GSTD4020PJ-SERIES

Dimension [mm] :



Size	A	B	C	D	E	F(Ref.)	G(Ref.)	H(Ref.)
4020PJ	4.50+/-0.20	4.00+/-0.20	1.80+/-0.20	BY ITEM	1.00+/-0.30	4.80	2.20	BY ITEM

Electrical Characteristics :

Part No.	Inductance (uH) +/-20%	DCR (m Ohm) Typ.	DCR (m Ohm) Max.	Isat (Amp) Typ.	Irms (Amp) Typ.	Dimension "D" (mm)	Dimension "H" (mm) Ref.
GSTD4020PJ-R22M	0.22	5.40	7.00	11.50	11.50	0.6 +/- 0.1	1.5
GSTD4020PJ-R36M	0.36	9.50	12.00	11.00	9.00	0.6 +/- 0.1	1.5
GSTD4020PJ-R47M	0.47	10.00	12.00	10.00	7.00	0.6 +/- 0.1	1.5
GSTD4020PJ-R56M	0.56	12.80	14.70	8.00	7.00	0.6 +/- 0.1	1.5
GSTD4020PJ-R68M	0.68	13.50	17.00	7.00	6.30	0.6 +/- 0.1	1.5
GSTD4020PJ-R82M	0.82	16.00	18.00	6.50	6.00	0.6 +/- 0.1	1.5
GSTD4020PJ-R88M	0.88	16.00	18.00	6.50	6.00	0.6 +/- 0.1	1.5
GSTD4020PJ-1R0M	1.00	18.00	21.50	5.00	5.00	0.6 +/- 0.1	1.5
GSTD4020PJ-1R2M	1.20	19.00	22.00	5.00	5.00	0.6 +/- 0.1	1.5
GSTD4020PJ-1R5M	1.50	25.40	29.00	5.00	5.00	0.6 +/- 0.1	1.5
GSTD4020PJ-2R2M	2.20	33.00	40.00	5.00	3.90	0.6 +/- 0.1	1.5
GSTD4020PJ-3R3M	3.30	42.00	48.00	4.30	3.30	0.6 +/- 0.1	1.5
GSTD4020PJ-4R7M	4.70	68.00	75.00	4.00	2.70	0.6 +/- 0.1	1.5
GSTD4020PJ-5R6M	5.60	81.00	90.00	3.50	2.40	0.6 +/- 0.1	1.5

* Test Condition : @100KHz , 1.0Vrms , 25deg.C Ambient

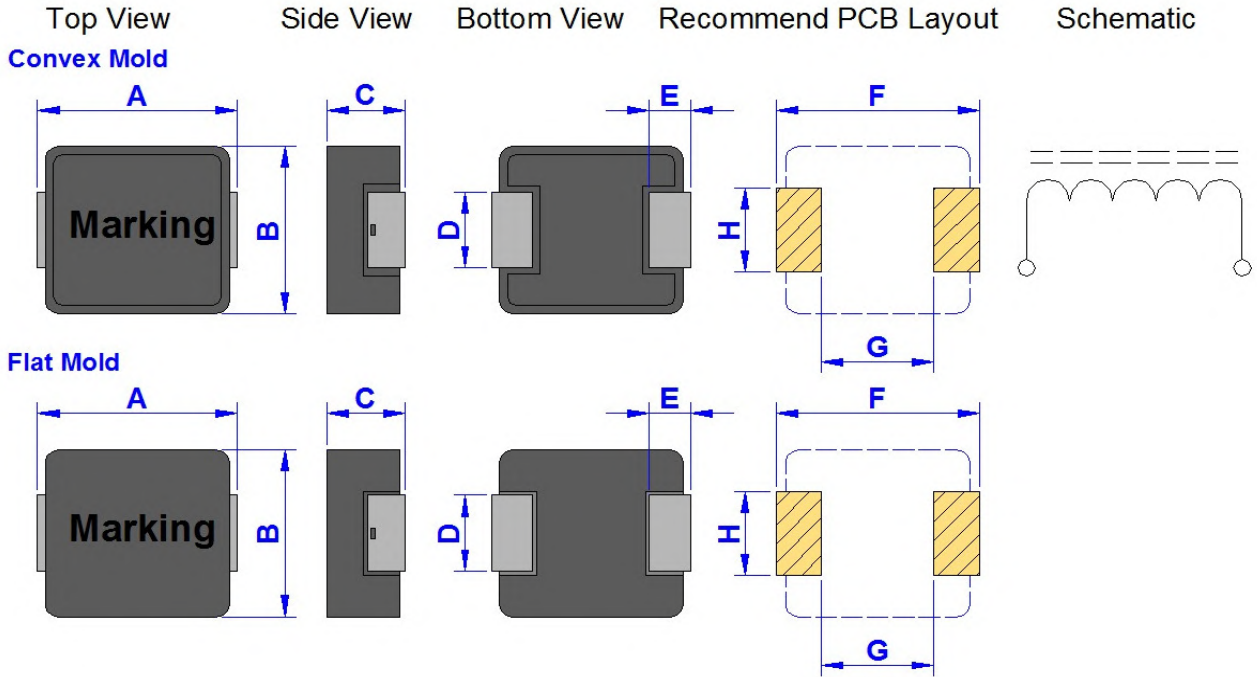
* Iirms : Rated Current Loading when temperature rise approximately 40deg.C

* Isat : Saturated Current measured at the point of L drop approximately 20%

Product Series : GSTD	Brand : GOTREND
File Version : GSTD-SERIES-V5R7	Editor : Teddy Sun
Established Date : 2011.08.08	Description : High Current Inductor
Latest Edit Date : 2020.10.30	Product Type : <input checked="" type="checkbox"/> Standard <input type="checkbox"/> Customize

GSTD5030PE-SERIES

Dimension [mm] :



Size	A	B	C	D	E	F(Ref.)	G(Ref.)	H(Ref.)
5030PE	5.70+/-0.30	5.20+/-0.30	2.80+/-0.20	BY ITEM	1.30+/-0.30	5.70	2.00	BY ITEM

Electrical Characteristics :

Part No.	Inductance (uH) +/-20%	DCR (m Ohm) Typ.	DCR (m Ohm) Max.	Isat (Amp) Typ.	Irms (Amp) Typ.	Dimension "D" (mm)	Dimension "H" (mm) Ref.
GSTD5030PE-R20M	0.20	3.50	3.90	14.50	18.00	2.3 +/- 0.3	3.0
GSTD5030PE-R47M	0.47	7.40	8.50	12.00	13.50	2.3 +/- 0.3	3.0
GSTD5030PE-R68M	0.68	11.00	12.00	14.00	8.50	2.3 +/- 0.3	3.0
GSTD5030PE-1R0M	1.00	13.00	14.00	11.00	7.00	2.3 +/- 0.3	3.0
GSTD5030PE-1R2M	1.20	15.00	16.00	11.00	6.50	2.3 +/- 0.3	3.0
GSTD5030PE-1R5M	1.50	20.00	25.00	8.50	6.00	2.3 +/- 0.3	3.0
GSTD5030PE-2R2M	2.20	25.00	29.00	7.50	5.50	2.3 +/- 0.3	3.0
GSTD5030PE-3R3M	3.30	32.00	38.00	6.00	5.00	2.3 +/- 0.3	3.0
GSTD5030PE-4R7M	4.70	50.00	60.00	5.00	3.50	2.3 +/- 0.3	3.0
GSTD5030PE-6R8M	6.80	75.00	90.00	4.00	3.00	2.3 +/- 0.3	3.0
GSTD5030PE-100M	10.00	110.00	125.00	3.50	2.50	2.3 +/- 0.3	3.0

* Test Condition : @100KHz , 1.0Vrms , 25deg.C Ambient

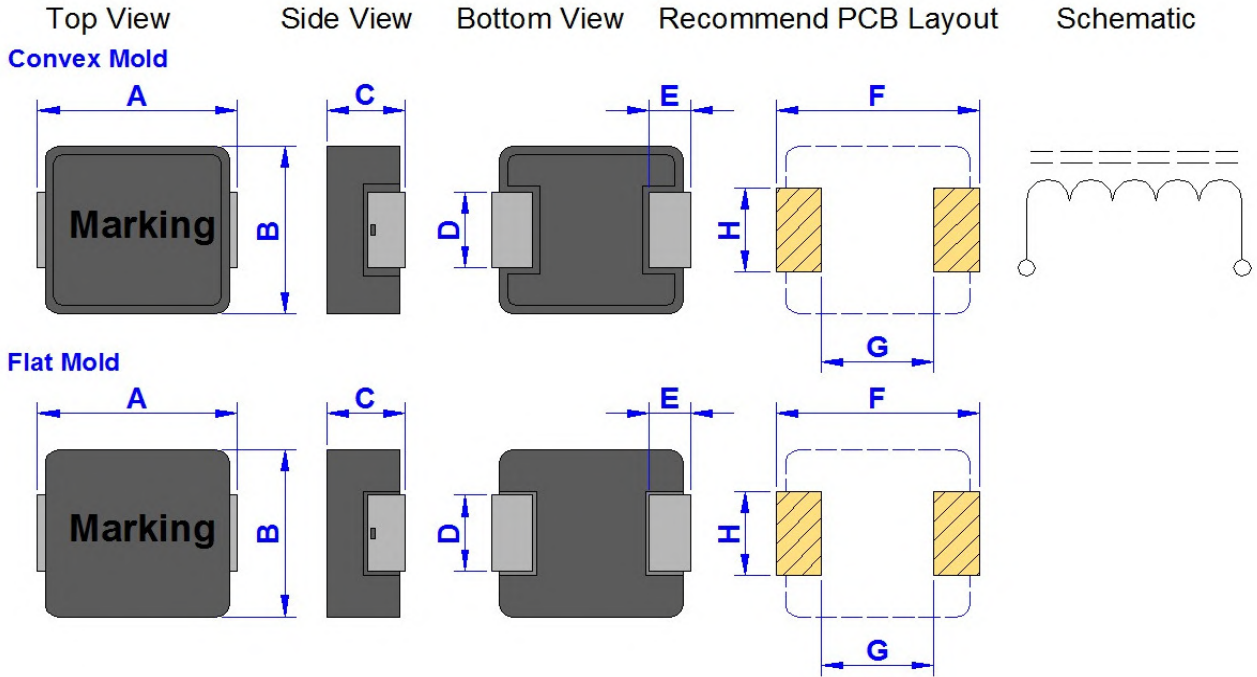
* I_{rms} : Rated Current Loading when temperature rise approximately 40deg.C

* I_{sat} : Saturated Current measured at the point of L drop approximately 30%

Product Series : GSTD	Brand : GOTREND
File Version : GSTD-SERIES-V5R7	Editor : Teddy Sun
Established Date : 2011.08.08	Description : High Current Inductor
Latest Edit Date : 2020.10.30	Product Type : <input checked="" type="checkbox"/> Standard <input type="checkbox"/> Customize

GSTD6018PW-SERIES

Dimension [mm] :



Size	A	B	C	D	E	F(Ref.)	G(Ref.)	H(Ref.)
6018PW	7.10+/-0.30	6.60+/-0.30	1.60+/-0.20	BY ITEM	1.60+/-0.50	7.40	3.70	BY ITEM

Electrical Characteristics :

Part No.	Inductance (uH) +/-20%	DCR (m Ohm) Typ.	DCR (m Ohm) Max.	Isat (Amp) Typ.	Irms (Amp) Typ.	Dimension "D" (mm)	Dimension "H" (mm) Ref.
GSTD6018PW-R47M	0.47	8.80	9.30	18.00	11.00	3.0 +/- 0.3	3.5
GSTD6018PW-1R0M	1.00	18.00	18.30	14.00	7.00	3.0 +/- 0.3	3.5
GSTD6018PW-1R5M	1.50	27.40	34.00	11.50	4.00	3.0 +/- 0.3	3.5
GSTD6018PW-2R2M	2.20	44.60	46.00	11.00	3.75	3.0 +/- 0.3	3.5
GSTD6018PW-3R3M	3.30	78.00	84.00	8.00	3.50	3.0 +/- 0.3	3.5
GSTD6018PW-4R7M	4.70	98.00	110.00	5.00	3.00	3.0 +/- 0.3	3.5

* Test Condition : @100KHz , 1.0Vrms , 25deg.C Ambient

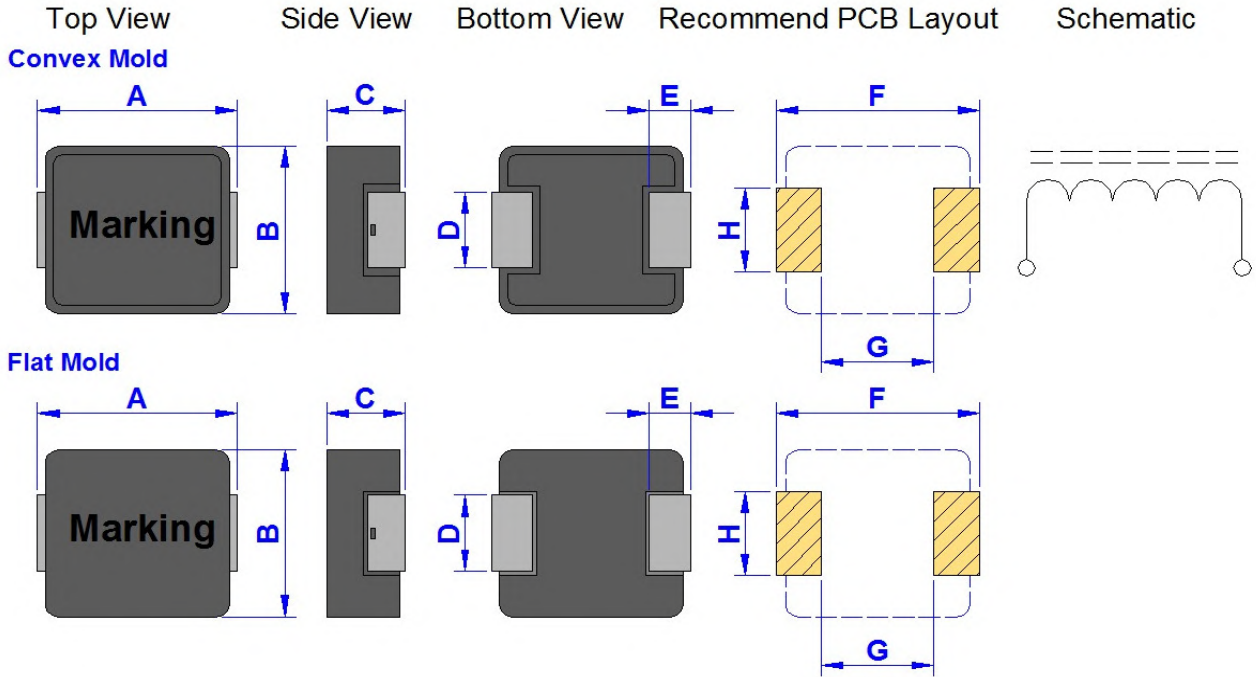
* I_{rms} : Rated Current Loading when temperature rise approximately 40deg.C

* I_{sat} : Saturated Current measured at the point of L drop approximately 20%

Product Series : GSTD	Brand : GOTREND
File Version : GSTD-SERIES-V5R7	Editor : Teddy Sun
Established Date : 2011.08.08	Description : High Current Inductor
Latest Edit Date : 2020.10.30	Product Type : <input checked="" type="checkbox"/> Standard <input type="checkbox"/> Customize

GSTD6018PE-SERIES

Dimension [mm] :



Size	A	B	C	D	E	F(Ref.)	G(Ref.)	H(Ref.)
6018PE	7.10+/-0.30	6.60+/-0.30	1.60+/-0.20	BY ITEM	1.60+/-0.50	7.40.	3.70	BY ITEM

Electrical Characteristics :

Part No.	Inductance (uH) +/-20%	DCR (m Ohm) Typ.	DCR (m Ohm) Max.	Isat (Amp) Typ.	Irms (Amp) Typ.	Dimension "D" (mm)	Dimension "H" (mm) Ref.
GSTD6018PE-R22M	0.22	5.30	5.70	26.00	14.00	3.0 +/- 0.3	3.5
GSTD6018PE-R33M	0.33	6.60	7.00	18.00	12.00	3.0 +/- 0.3	3.5
GSTD6018PE-R47M	0.47	8.40	9.30	18.00	11.00	3.0 +/- 0.3	3.5
GSTD6018PE-R68M	0.68	12.70	13.90	17.00	9.00	3.0 +/- 0.3	3.5
GSTD6018PE-R82M	0.82	13.80	15.90	17.00	8.00	3.0 +/- 0.3	3.5
GSTD6018PE-1R0M	1.00	17.50	18.30	14.00	7.00	3.0 +/- 0.3	3.5
GSTD6018PE-1R5M	1.50	32.60	34.00	11.50	4.00	3.0 +/- 0.3	3.5
GSTD6018PE-2R2M	2.20	40.30	46.00	11.00	3.75	3.0 +/- 0.3	3.5
GSTD6018PE-2R5M	2.50	49.90	52.40	10.40	3.50	3.0 +/- 0.3	3.5
GSTD6018PE-3R3M	3.30	56.20	60.10	10.00	3.25	3.0 +/- 0.3	3.5
GSTD6018PE-4R7M	4.70	76.00	78.00	8.00	3.00	3.0 +/- 0.3	3.5

* Test Condition : @100KHz , 1.0Vrms , 25deg.C Ambient

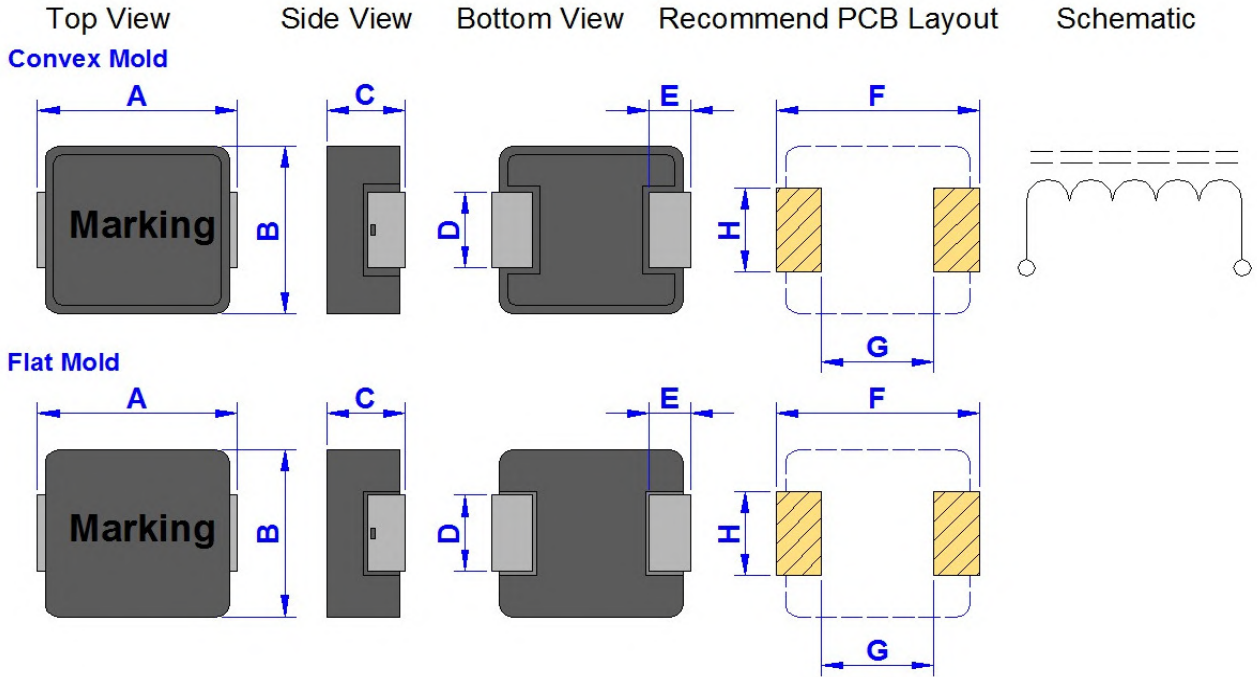
* Irms : Rated Current Loading when temperature rise approximately 40deg.C

* Isat : Saturated Current measured at the point of L drop approximately 30%

Product Series : GSTD	Brand : GOTREND
File Version : GSTD-SERIES-V5R7	Editor : Teddy Sun
Established Date : 2011.08.08	Description : High Current Inductor
Latest Edit Date : 2020.10.30	Product Type : <input checked="" type="checkbox"/> Standard <input type="checkbox"/> Customize

GSTD6024PE-SERIES

Dimension [mm] :



Size	A	B	C	D	E	F(Ref.)	G(Ref.)	H(Ref.)
6024PE	7.10+/-0.30	6.60+/-0.30	2.20+/-0.20	BY ITEM	1.60+/-0.50	7.40	3.70	BY ITEM

Electrical Characteristics :

Part No.	Inductance (uH) +/-20%	DCR (m Ohm) Typ.	DCR (m Ohm) Max.	Isat (Amp) Typ.	Irms (Amp) Typ.	Dimension "D" (mm)	Dimension "H" (mm) Ref.
GSTD6024PE-R10M	0.10	1.50	1.70	50.00	30.00	3.0 +/- 0.3	3.5
GSTD6024PE-R22M	0.22	2.90	3.20	34.00	21.00	3.0 +/- 0.3	3.5
GSTD6024PE-R33M	0.33	3.70	4.10	22.00	18.00	3.0 +/- 0.3	3.5
GSTD6024PE-R47M	0.47	6.00	6.50	21.00	13.50	3.0 +/- 0.3	3.5
GSTD6024PE-R68M	0.68	8.70	9.40	18.00	11.00	3.0 +/- 0.3	3.5
GSTD6024PE-R82M	0.82	10.60	11.80	17.00	10.00	3.0 +/- 0.3	3.5
GSTD6024PE-1R0M	1.00	13.00	14.20	16.00	9.00	3.0 +/- 0.3	3.5
GSTD6024PE-1R5M	1.50	18.50	21.20	15.00	7.50	3.0 +/- 0.3	3.5
GSTD6024PE-2R2M	2.20	28.00	34.00	14.00	6.50	3.0 +/- 0.3	3.5
GSTD6024PE-3R3M	3.30	36.50	51.60	13.00	5.00	3.0 +/- 0.3	3.5
GSTD6024PE-4R7M	4.70	45.00	63.00	9.00	4.50	3.0 +/- 0.3	3.5
GSTD6024PE-5R6M	5.60	66.00	73.00	8.00	4.00	3.0 +/- 0.3	3.5
GSTD6024PE-6R8M	6.80	72.50	95.00	7.00	3.60	3.0 +/- 0.3	3.5
GSTD6024PE-8R2M	8.20	84.00	106.00	6.50	3.00	3.0 +/- 0.3	3.5
GSTD6024PE-100M	10.00	116.00	129.00	6.00	2.50	3.0 +/- 0.3	3.5

* Test Condition : @100KHz , 1.0Vrms , 25deg.C Ambient

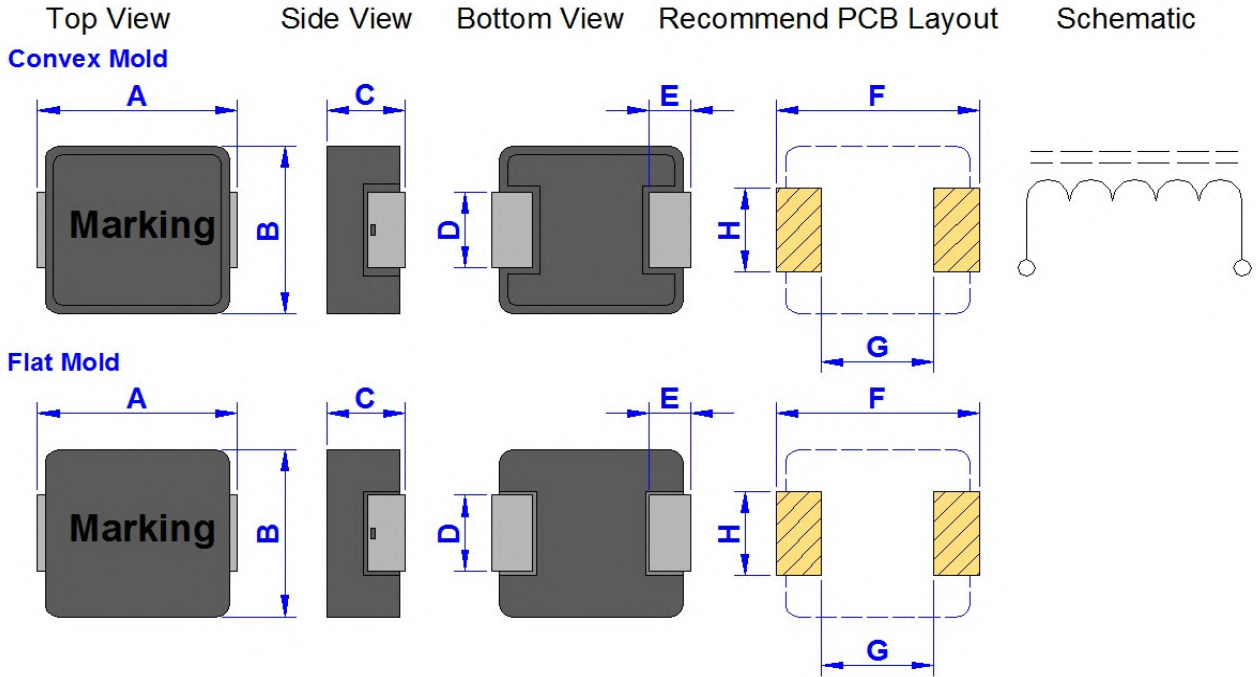
* I_{rms} : Rated Current Loading when temperature rise approximately 40deg.C

* I_{sat} : Saturated Current measured at the point of L drop approximately 30%

Product Series : GSTD	Brand : GOTREND
File Version : GSTD-SERIES-V5R7	Editor : Teddy Sun
Established Date : 2011.08.08	Description : High Current Inductor
Latest Edit Date : 2020.10.30	Product Type : <input checked="" type="checkbox"/> Standard <input type="checkbox"/> Customize

GSTD6030PE-SERIES

Dimension [mm] :



Size	A	B	C	D	E	F(Ref.)	G(Ref.)	H(Ref.)
6030PE	7.10+/-0.30	6.60+/-0.30	2.80+/-0.20	BY ITEM	1.60+/-0.50	7.40	3.70	BY ITEM

Electrical Characteristics :

Part No.	Inductance (uH) +/-20%	DCR (m Ohm) Typ.	DCR (m Ohm) Max.	Isat (Amp) Typ.	Irms (Amp) Typ.	Dimension "D" (mm)	Dimension "H" (mm) Ref.
GSTD6030PE-R10M	0.10	1.50	1.70	60.00	32.50	3.0 +/- 0.3	3.5
GSTD6030PE-R15M	0.15	1.90	2.50	52.00	26.00	3.0 +/- 0.3	3.5
GSTD6030PE-R20M	0.20	2.40	3.00	41.00	24.00	3.0 +/- 0.3	3.5
GSTD6030PE-R22M	0.22	2.50	2.80	40.00	23.00	3.0 +/- 0.3	3.5
GSTD6030PE-R33M	0.33	3.50	3.90	30.00	20.00	3.0 +/- 0.3	3.5
GSTD6030PE-R47M	0.47	4.00	4.20	26.00	17.50	3.0 +/- 0.3	3.5
GSTD6030PE-R68M	0.68	5.00	5.50	25.00	15.50	3.0 +/- 0.3	3.5
GSTD6030PE-R82M	0.82	6.70	8.00	24.00	13.00	3.0 +/- 0.3	3.5
GSTD6030PE-1R0M	1.00	9.00	10.00	22.00	11.00	3.0 +/- 0.3	3.5
GSTD6030PE-1R5M	1.50	14.00	15.00	18.00	9.00	3.0 +/- 0.3	3.5
GSTD6030PE-2R2M	2.20	18.00	20.00	14.00	8.00	3.0 +/- 0.3	3.5
GSTD6030PE-3R3M	3.30	28.00	30.00	13.50	6.00	3.0 +/- 0.3	3.5
GSTD6030PE-4R7M	4.70	37.00	40.00	10.00	5.50	3.0 +/- 0.3	3.5
GSTD6030PE-6R8M	6.80	54.00	60.00	8.00	4.50	3.0 +/- 0.3	3.5
GSTD6030PE-8R2M	8.20	64.00	68.00	7.50	4.00	3.0 +/- 0.3	3.5
GSTD6030PE-100M	10.00	102.00	105.00	7.00	3.00	3.0 +/- 0.3	3.5

* Test Condition : @100KHz , 1.0Vrms , 25deg.C Ambient

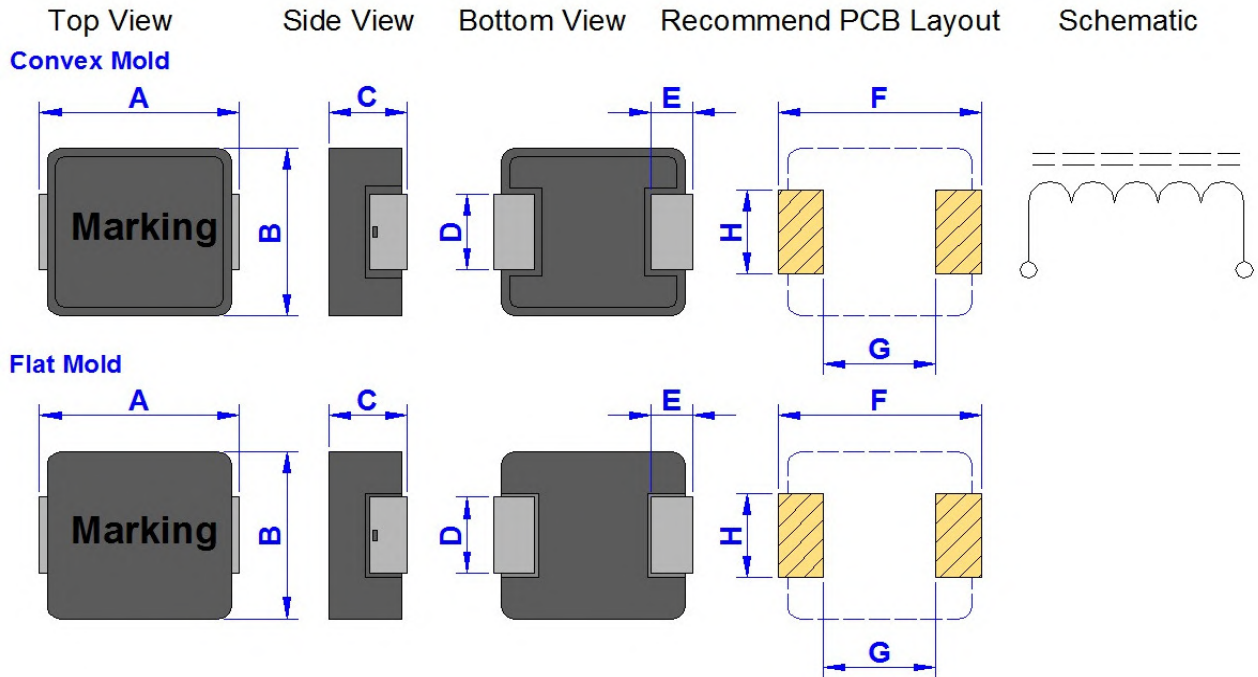
* Iirms : Rated Current Loading when temperature rise approximately 40deg.C

* Isat : Saturated Current measured at the point of L drop approximately 30%

Product Series : GSTD	Brand : GOTREND
File Version : GSTD-SERIES-V5R7	Editor : Teddy Sun
Established Date : 2011.08.08	Description : High Current Inductor
Latest Edit Date : 2020.10.30	Product Type : <input checked="" type="checkbox"/> Standard <input type="checkbox"/> Customize

GSTD6030PL-SERIES

Dimension [mm] :



Size	A	B	C	D	E	F(Ref.)	G(Ref.)	H(Ref.)
6030PL	7.10+/-0.30	6.60+/-0.30	2.80+/-0.20	BY ITEM	1.60+/-0.50	7.40	3.70	BY ITEM

Electrical Characteristics :

Part No.	Inductance (uH) +/-20%	DCR (m Ohm) Typ.	DCR (m Ohm) Max.	Isat (Amp) Typ.	Irms (Amp) Typ.	Dimension "D" (mm)	Dimension "H" (mm) Ref.
GSTD6030PL-1R0M	1.00	7.60	8.00	9.50	12.50	3.0 +/- 0.3	3.5
GSTD6030PL-1R5M	1.50	11.70	12.50	8.00	10.50	3.0 +/- 0.3	3.5
GSTD6030PL-2R2M	2.20	15.70	16.50	7.00	9.00	3.0 +/- 0.3	3.5
GSTD6030PL-3R3M	3.30	24.80	26.00	6.50	7.00	3.0 +/- 0.3	3.5
GSTD6030PL-4R7M	4.70	31.80	33.40	4.00	6.00	3.0 +/- 0.3	3.5
GSTD6030PL-6R8M	6.80	44.60	46.80	4.00	5.50	3.0 +/- 0.3	3.5
GSTD6030PL-8R2M	8.20	52.30	54.90	4.00	5.00	3.0 +/- 0.3	3.5
GSTD6030PL-100M	10.00	67.80	71.20	3.50	4.00	3.0 +/- 0.3	3.5
GSTD6030PL-150M	15.00	110.00	125.00	3.00	3.50	3.0 +/- 0.3	3.5
GSTD6030PL-220M	22.00	128.90	135.00	2.50	2.90	3.0 +/- 0.3	3.5

* Test Condition : @100KHz , 1.0Vrms , 25deg.C Ambient

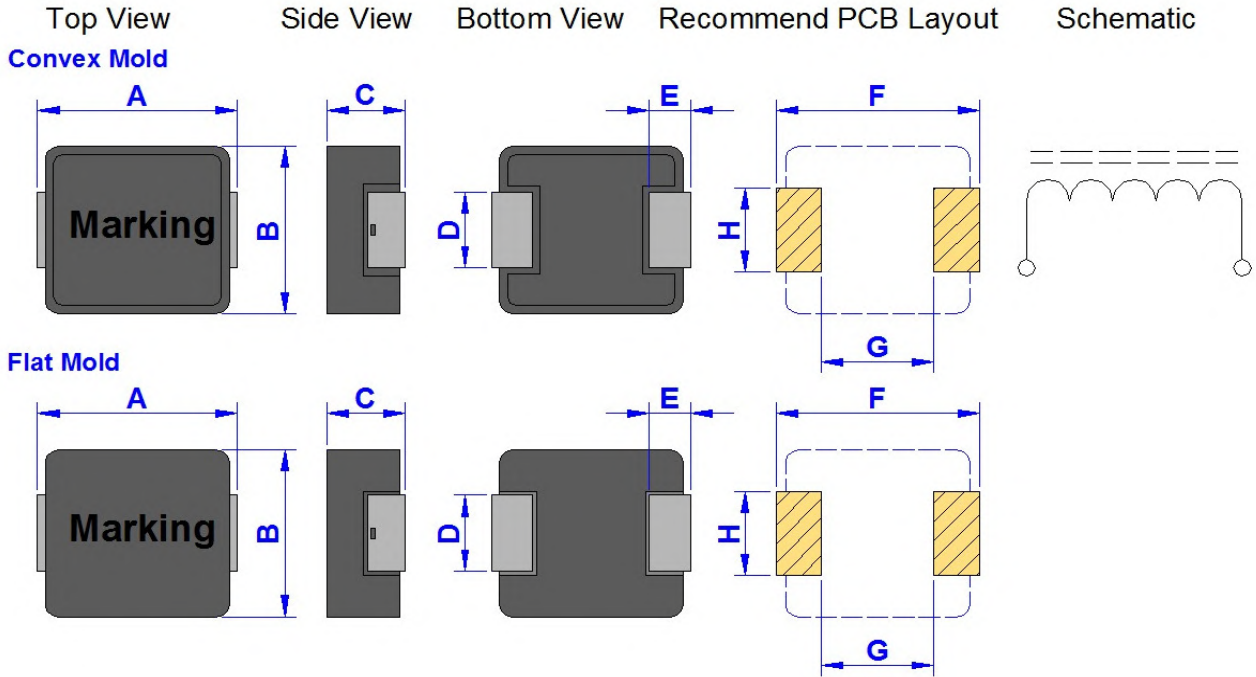
* Irms : Rated Current Loading when temperature rise approximately 40deg.C

* Isat : Saturated Current measured at the point of L drop approximately 30%

Product Series : GSTD	Brand : GOTREND
File Version : GSTD-SERIES-V5R7	Editor : Teddy Sun
Established Date : 2011.08.08	Description : High Current Inductor
Latest Edit Date : 2020.10.30	Product Type : <input checked="" type="checkbox"/> Standard <input type="checkbox"/> Customize

GSTD6040PJ-SERIES

Dimension [mm] :



Size	A	B	C	D	E	F(Ref.)	G(Ref.)	H(Ref.)
6040PJ	7.10+/-0.30	6.60+/-0.30	4.00 Max.	BY ITEM	1.60+/-0.50	7.40	3.70	BY ITEM

Electrical Characteristics :

Part No.	Inductance (uH) +/-20%	DCR (m Ohm) Typ.	DCR (m Ohm) Max.	Isat (Amp) Typ.	Irms (Amp) Typ.	Dimension "D" (mm)	Dimension "H" (mm) Ref.
GSTD6040PJ-R22M	0.22	2.00	2.40	34.00	23.00	1.2 +/- 0.3	2.5
GSTD6040PJ-R33M	0.33	3.00	3.40	30.00	18.00	1.2 +/- 0.3	2.5
GSTD6040PJ-R36M	0.36	3.60	4.30	28.00	18.00	1.2 +/- 0.3	2.5
GSTD6040PJ-R47M	0.47	3.80	4.50	27.00	17.00	1.2 +/- 0.3	2.5
GSTD6040PJ-R50M	0.50	2.80	3.40	21.00	20.00	1.2 +/- 0.3	2.5
GSTD6040PJ-R56M	0.56	4.30	5.00	20.00	16.00	1.2 +/- 0.3	2.5
GSTD6040PJ-R68M	0.68	4.50	5.00	20.00	16.00	1.2 +/- 0.3	2.5
GSTD6040PJ-R82M	0.82	5.50	6.60	17.00	13.00	1.2 +/- 0.3	2.5
GSTD6040PJ-1R1M	1.10	4.60	5.50	19.00	15.30	1.2 +/- 0.3	2.5
GSTD6040PJ-1R5M	1.50	8.00	10.00	13.00	11.50	1.2 +/- 0.3	2.5
GSTD6040PJ-2R2M	2.20	9.80	12.00	11.00	11.00	1.2 +/- 0.3	2.5
GSTD6040PJ-3R3M	3.30	12.50	16.00	10.00	10.00	1.2 +/- 0.3	2.5
GSTD6040PJ-4R7M	4.70	18.40	24.00	8.00	6.70	1.2 +/- 0.3	2.5
GSTD6040PJ-5R6M	5.60	21.00	29.00	8.00	6.30	1.2 +/- 0.3	2.5
GSTD6040PJ-6R8M	6.80	29.00	33.00	7.00	6.00	1.2 +/- 0.3	2.5
GSTD6040PJ-8R2M	8.20	34.00	39.00	5.50	5.00	1.2 +/- 0.3	2.5
GSTD6040PJ-100M	10.00	42.50	45.00	5.00	4.10	1.2 +/- 0.3	2.5
GSTD6040PJ-120M	12.00	46.30	53.00	5.00	4.00	1.2 +/- 0.3	2.5

* Test Condition : @100KHz , 1.0Vrms , 25deg.C Ambient

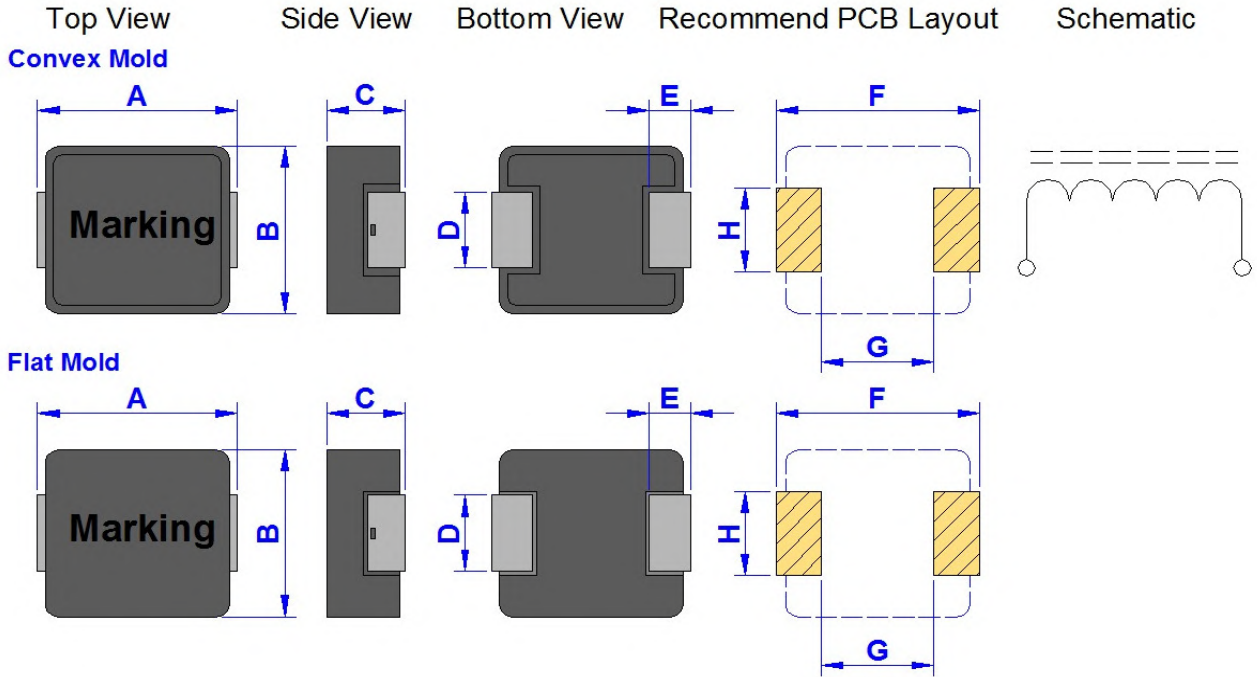
* I_{rms} : Rated Current Loading when temperature rise approximately 40deg.C

* I_{sat} : Saturated Current measured at the point of L drop approximately 20%

Product Series : GSTD	Brand : GOTREND
File Version : GSTD-SERIES-V5R7	Editor : Teddy Sun
Established Date : 2011.08.08	Description : High Current Inductor
Latest Edit Date : 2020.10.30	Product Type : <input checked="" type="checkbox"/> Standard <input type="checkbox"/> Customize

GSTD1040PE-SERIES

Dimension [mm] :



Size	A	B	C	D	E	F(Ref.)	G(Ref.)	H(Ref.)
1040PE	11.50+/-1.00	10.50+/-0.50	3.80+/-0.20	BY ITEM	2.50+/-0.50	13.00	6.00	BY ITEM

Electrical Characteristics :

Part No.	Inductance (uH) +/-20%	DCR (m Ohm) Typ.	DCR (m Ohm) Max.	Isat (Amp) Typ.	Irms (Amp) Typ.	Dimension "D" (mm)	Dimension "H" (mm) Ref.
GSTD1040PE-R19M	0.19	0.88	0.95	90.00	40.00	3.0 +/- 0.5	4.0
GSTD1040PE-R36M	0.36	1.30	1.40	60.00	31.50	3.0 +/- 0.5	4.0
GSTD1040PE-R56M	0.56	1.70	1.80	49.00	27.50	3.0 +/- 0.5	4.0
GSTD1040PE-1R0M	1.00	3.70	4.10	36.00	17.50	3.0 +/- 0.5	4.0
GSTD1040PE-1R5M	1.50	5.30	5.80	27.50	15.00	3.0 +/- 0.5	4.0
GSTD1040PE-2R2M	2.20	8.20	9.00	25.50	12.00	3.0 +/- 0.5	4.0
GSTD1040PE-3R3M	3.30	10.80	11.80	18.60	10.00	3.0 +/- 0.5	4.0
GSTD1040PE-4R7M	4.70	15.00	16.50	17.00	9.50	3.0 +/- 0.5	4.0
GSTD1040PE-5R6M	5.60	17.60	19.30	16.00	8.50	3.0 +/- 0.5	4.0
GSTD1040PE-6R8M	6.80	21.20	23.30	13.50	8.00	3.0 +/- 0.5	4.0
GSTD1040PE-8R2M	8.20	31.00	34.00	12.50	7.00	3.0 +/- 0.5	4.0
GSTD1040PE-100M	10.00	33.20	36.50	12.00	6.80	3.0 +/- 0.5	4.0

* Test Condition : @100KHz , 1.0Vrms , 25deg.C Ambient

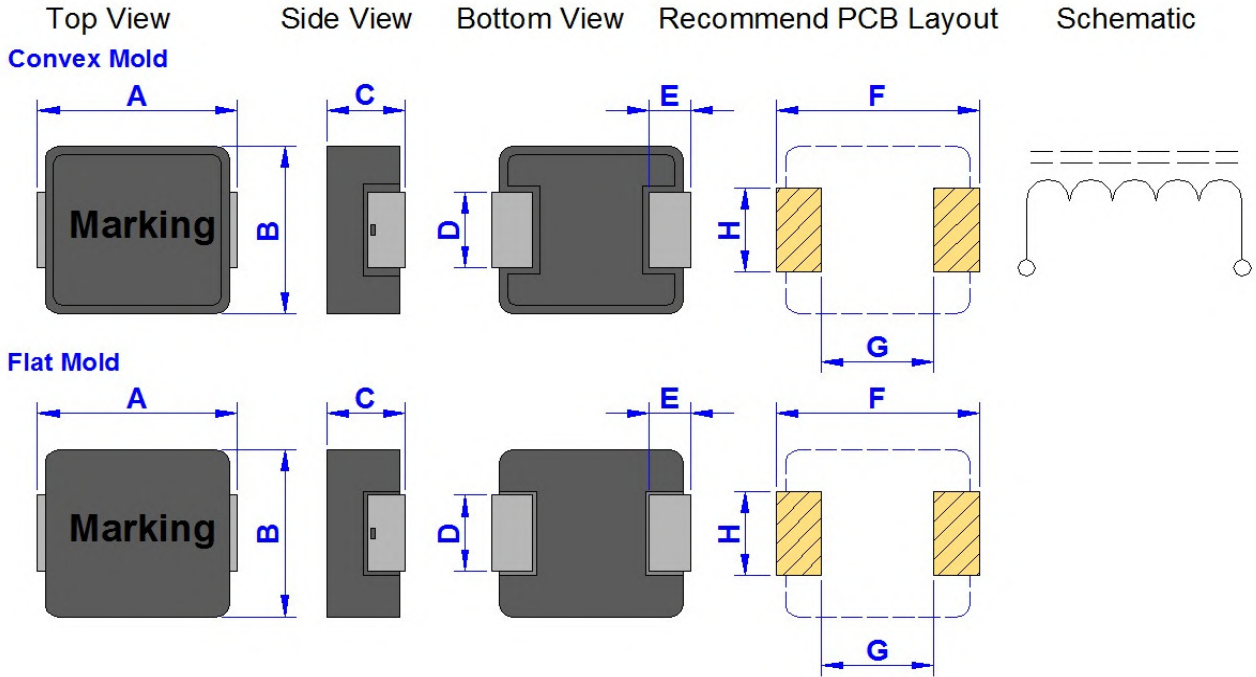
* Irms : Rated Current Loading when temperature rise approximately 40deg.C

* Isat : Saturated Current measured at the point of L drop approximately 30%

Product Series : GSTD	Brand : GOTREND
File Version : GSTD-SERIES-V5R7	Editor : Teddy Sun
Established Date : 2011.08.08	Description : High Current Inductor
Latest Edit Date : 2020.10.30	Product Type : <input checked="" type="checkbox"/> Standard <input type="checkbox"/> Customize

GSTD1040PL-SERIES

Dimension [mm] :



Size	A	B	C	D	E	F(Ref.)	G(Ref.)	H(Ref.)
1040PL	11.50+/-1.00	10.50+/-0.50	3.80+/-0.20	BY ITEM	2.50+/-0.50	13.00	6.00	BY ITEM

Electrical Characteristics :

Part No.	Inductance (uH) +/-20%	DCR (m Ohm) Typ.	DCR (m Ohm) Max.	Isat (Amp) Typ.	Irms (Amp) Typ.	Dimension "D" (mm)	Dimension "H" (mm) Ref.
GSTD1040PL-R19M	0.19	0.70	0.80	46.00	40.00	3.0 +/- 0.5	4.0
GSTD1040PL-R24M	0.24	0.85	0.95	44.00	33.00	3.0 +/- 0.5	4.0
GSTD1040PL-R36M	0.36	1.05	1.15	30.00	32.00	3.0 +/- 0.5	4.0
GSTD1040PL-R47M	0.47	1.53	1.68	30.00	30.00	3.0 +/- 0.5	4.0
GSTD1040PL-R56M	0.56	1.60	1.80	22.00	32.00	3.0 +/- 0.5	4.0
GSTD1040PL-R78M	0.78	1.80	1.90	22.00	27.00	3.0 +/- 0.5	4.0
GSTD1040PL-1R0M	1.00	2.30	2.50	20.00	25.00	3.0 +/- 0.5	4.0
GSTD1040PL-1R8M	1.80	4.50	5.00	16.00	17.00	3.0 +/- 0.5	4.0
GSTD1040PL-2R0M	2.00	5.20	5.80	14.00	16.00	3.0 +/- 0.5	4.0
GSTD1040PL-3R3M	3.30	8.20	9.00	14.00	12.00	3.0 +/- 0.5	4.0
GSTD1040PL-4R7M	4.70	12.90	14.20	7.60	9.50	3.0 +/- 0.5	4.0
GSTD1040PL-6R8M	6.80	17.50	19.30	7.50	9.00	3.0 +/- 0.5	4.0
GSTD1040PL-100M	10.00	27.80	30.50	7.10	7.50	3.0 +/- 0.5	4.0
GSTD1040PL-150M	15.00	40.90	45.00	6.00	6.25	3.0 +/- 0.5	4.0
GSTD1040PL-220M	22.00	60.40	66.00	4.50	5.00	3.0 +/- 0.5	4.0
GSTD1040PL-330M	33.00	87.50	94.50	4.00	4.40	3.0 +/- 0.5	4.0
GSTD1040PL-470M	47.00	132.00	145.00	3.00	4.00	3.0 +/- 0.5	4.0

* Test Condition : @100KHz , 1.0Vrms , 25deg.C Ambient

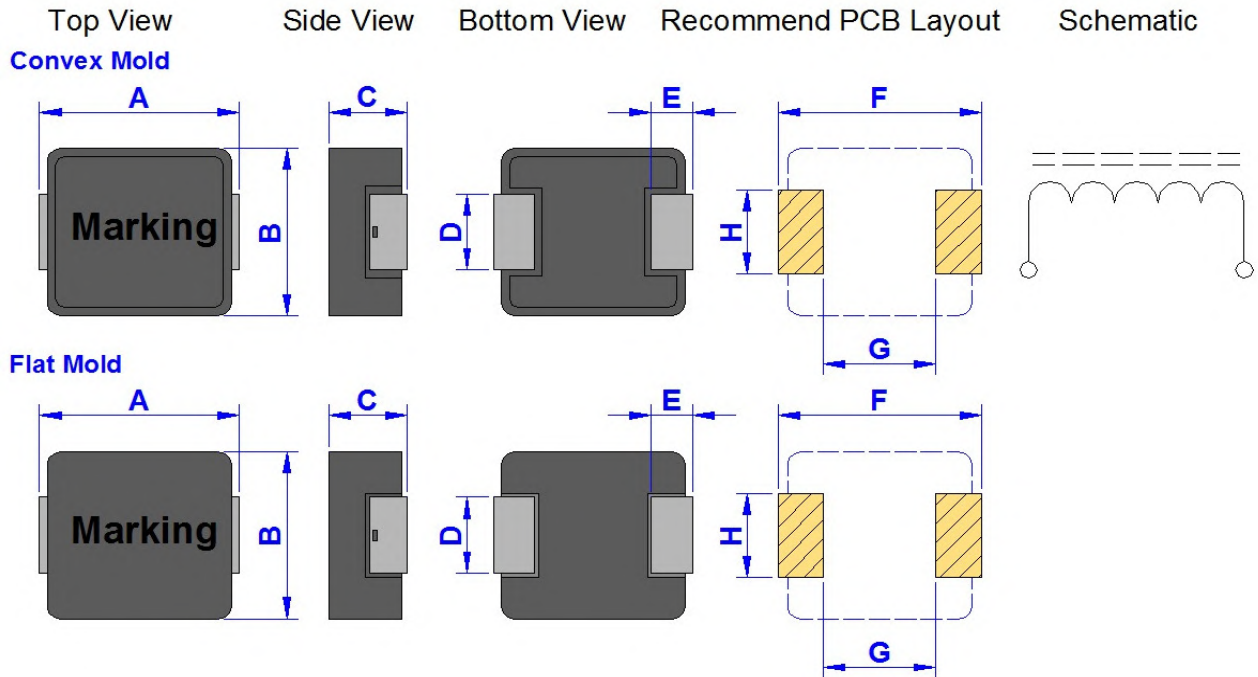
* Irms : Rated Current Loading when temperature rise approximately 40deg.C

* Isat : Saturated Current measured at the point of L drop approximately 30%

Product Series : GSTD	Brand : GOTREND
File Version : GSTD-SERIES-V5R7	Editor : Teddy Sun
Established Date : 2011.08.08	Description : High Current Inductor
Latest Edit Date : 2020.10.30	Product Type : <input checked="" type="checkbox"/> Standard <input type="checkbox"/> Customize

GSTD1040PL-SERIES

Dimension [mm] :



Size	A	B	C	D	E	F(Ref.)	G(Ref.)	H(Ref.)
1040PL	11.50+/-1.00	10.50+/-0.50	3.80+/-0.20	BY ITEM	2.50+/-0.50	13.00	6.00	BY ITEM

Electrical Characteristics :

Part No.	Inductance (uH) +/-20%	DCR (m Ohm) Typ.	DCR (m Ohm) Max.	Isat (Amp) Typ.	Irms (Amp) Typ.	Dimension "D" (mm)	Dimension "H" (mm) Ref.
GSTD1040PL-560M	56.00	150.00	170.00	2.80	3.80	3.0 +/- 0.5	4.0
GSTD1040PL-680M	68.00	175.00	200.00	2.60	3.50	3.0 +/- 0.5	4.0
GSTD1040PL-820M	82.00	210.00	240.00	2.40	3.20	3.0 +/- 0.5	4.0
GSTD1040PL-101M	100.00	249.00	270.00	2.25	3.00	3.0 +/- 0.5	4.0

* Test Condition : @100KHz , 1.0Vrms , 25deg.C Ambient

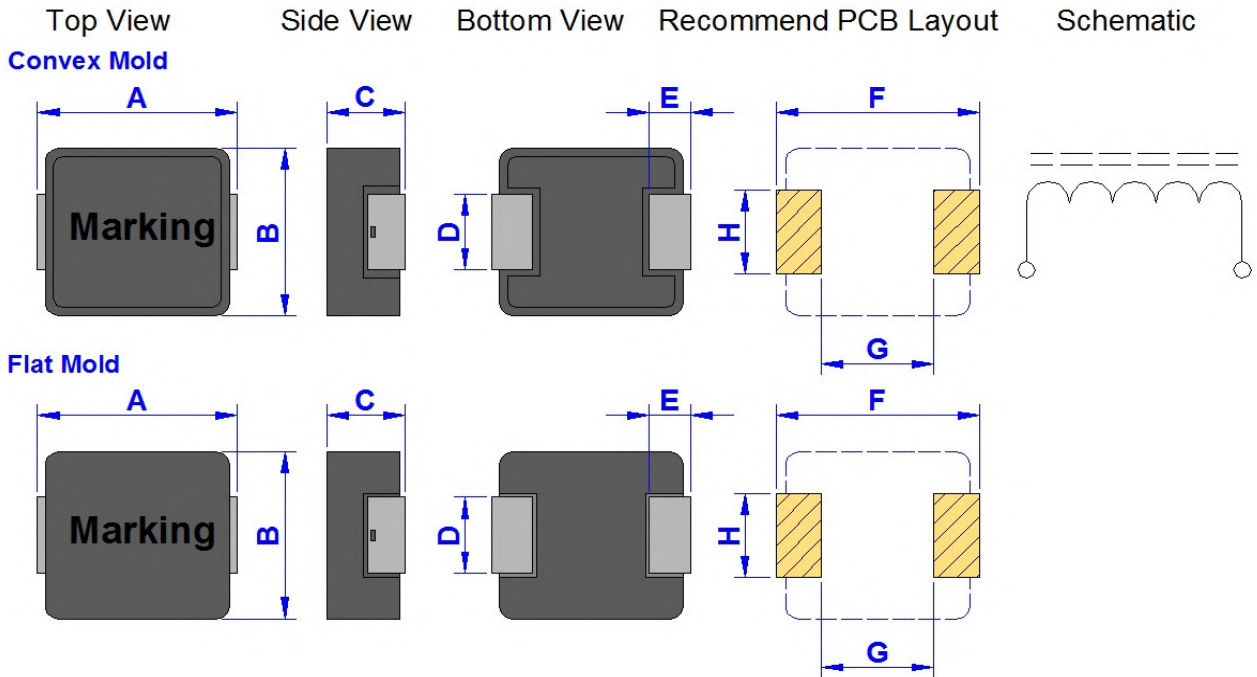
* Irms : Rated Current Loading when temperature rise approximately 40deg.C

* Isat : Saturated Current measured at the point of L drop approximately 30%

Product Series : GSTD	Brand : GOTREND
File Version : GSTD-SERIES-V5R7	Editor : Teddy Sun
Established Date : 2011.08.08	Description : High Current Inductor
Latest Edit Date : 2020.10.30	Product Type : <input checked="" type="checkbox"/> Standard <input type="checkbox"/> Customize

GSTD1050PJ-SERIES

Dimension [mm] :



Size	A	B	C	D	E	F(Ref.)	G(Ref.)	H(Ref.)
1050PJ	10.50+/-1.00	10.00+/-0.30	4.80+/-0.20	BY ITEM	2.00+/-0.50	12.00	5.50	BY ITEM

Electrical Characteristics :

Part No.	Inductance (uH) +/-20%	DCR (m Ohm) Typ.	DCR (m Ohm) Max.	Isat (Amp) Typ.	Irms (Amp) Typ.	Dimension "D" (mm)	Dimension "H" (mm) Ref.
GSTD1050PJ-R45M	0.45	0.90	1.10	29.00	36.00	3.0 +/- 0.5	4.0
GSTD1050PJ-R56M	0.56	1.20	1.40	31.00	32.00	3.0 +/- 0.5	4.0
GSTD1050PJ-1R0M	1.00	2.30	2.50	25.00	25.00	3.0 +/- 0.5	4.0
GSTD1050PJ-1R2M	1.20	2.50	3.00	21.00	24.00	3.0 +/- 0.5	4.0
GSTD1050PJ-2R2M	2.20	5.30	6.30	19.00	14.00	3.0 +/- 0.5	4.0
GSTD1050PJ-4R7M	4.70	10.50	11.50	14.00	10.00	1.8 +/- 0.5	3.0
GSTD1050PJ-6R8M	6.80	13.50	15.50	11.00	9.00	3.0 +/- 0.5	4.0
GSTD1050PJ-100M	10.00	21.00	25.20	10.00	7.20	3.0 +/- 0.5	4.0
GSTD1050PJ-150M	15.00	38.00	45.60	8.00	4.50	1.8 +/- 0.5	3.0
GSTD1050PJ-220M	22.00	51.00	61.20	7.00	4.00	1.8 +/- 0.5	3.0

* Test Condition : @100KHz , 1.0Vrms , 25deg.C Ambient

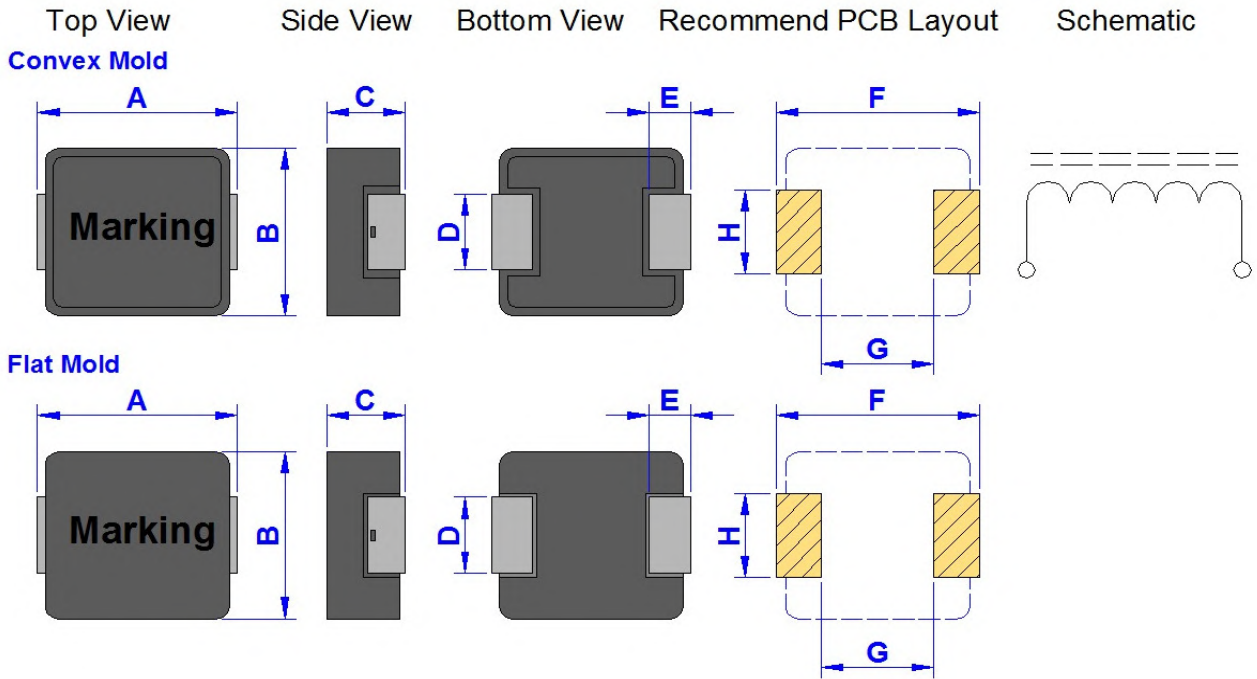
* Irms : Rated Current Loading when temperature rise approximately 40deg.C

* Isat : Saturated Current measured at the point of L drop approximately 20%

Product Series : GSTD	Brand : GOTREND
File Version : GSTD-SERIES-V5R7	Editor : Teddy Sun
Established Date : 2011.08.08	Description : High Current Inductor
Latest Edit Date : 2020.10.30	Product Type : <input checked="" type="checkbox"/> Standard <input type="checkbox"/> Customize

GSTD1250PE-SERIES

Dimension [mm] :



Size	A	B	C	D	E	F(Ref.)	G(Ref.)	H(Ref.)
1250PE	13.50+/-1.00	12.80+/-0.50	4.80+/-0.20	BY ITEM	2.50+/-0.50	15.00	6.00	BY ITEM

Electrical Characteristics :

Part No.	Inductance (uH) +/-20%	DCR (m Ohm) Typ.	DCR (m Ohm) Max.	Isat (Amp) Typ.	Irms (Amp) Typ.	Dimension "D" (mm)	Dimension "H" (mm) Ref.
GSTD1250PE-R10M	0.10	0.53	0.60	118.00	55.00	3.8 +/- 0.5	5.0
GSTD1250PE-R22M	0.22	0.64	0.80	110.00	51.00	3.8 +/- 0.5	5.0
GSTD1250PE-R33M	0.33	0.85	1.10	80.00	42.00	3.8 +/- 0.5	5.0
GSTD1250PE-R47M	0.47	1.10	1.30	65.00	38.00	3.8 +/- 0.5	5.0
GSTD1250PE-R56M	0.56	1.30	1.50	55.00	36.00	3.8 +/- 0.5	5.0
GSTD1250PE-R68M	0.68	1.50	1.70	54.00	34.00	3.8 +/- 0.5	5.0
GSTD1250PE-R82M	0.82	2.00	2.30	53.00	31.00	3.8 +/- 0.5	5.0
GSTD1250PE-1R0M	1.00	2.10	2.50	50.00	29.00	3.8 +/- 0.5	5.0
GSTD1250PE-1R2M	1.20	2.80	3.50	49.00	25.00	3.8 +/- 0.5	5.0
GSTD1250PE-1R5M	1.50	3.40	4.10	48.00	23.00	3.8 +/- 0.5	5.0
GSTD1250PE-1R8M	1.80	4.20	4.90	40.00	19.00	3.8 +/- 0.5	5.0
GSTD1250PE-2R2M	2.20	4.60	5.50	32.00	20.00	3.8 +/- 0.5	5.0
GSTD1250PE-3R3M	3.30	7.70	9.20	32.00	15.00	3.8 +/- 0.5	5.0
GSTD1250PE-4R7M	4.70	12.80	15.00	27.00	12.00	3.8 +/- 0.5	5.0
GSTD1250PE-5R6M	5.60	14.00	16.50	22.00	11.50	3.8 +/- 0.5	5.0
GSTD1250PE-6R8M	6.80	15.40	18.50	21.00	11.00	3.8 +/- 0.5	5.0

* Test Condition : @100KHz , 1.0Vrms , 25deg.C Ambient

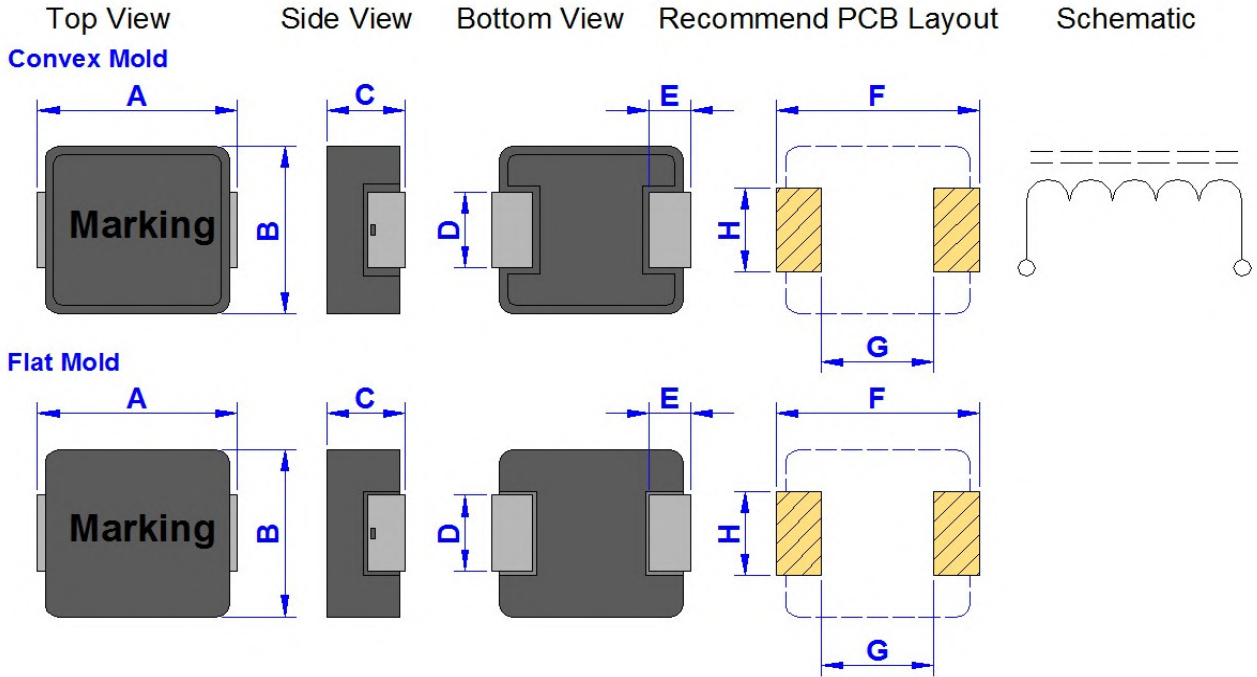
* Irms : Rated Current Loading when temperature rise approximately 40deg.C

* Isat : Saturated Current measured at the point of L drop approximately 30%

Product Series : GSTD	Brand : GOTREND
File Version : GSTD-SERIES-V5R7	Editor : Teddy Sun
Established Date : 2011.08.08	Description : High Current Inductor
Latest Edit Date : 2020.10.30	Product Type : <input checked="" type="checkbox"/> Standard <input type="checkbox"/> Customize

GSTD1250PE-SERIES

Dimension [mm] :



Size	A	B	C	D	E	F(Ref.)	G(Ref.)	H(Ref.)
1250PE	13.50+/-1.00	12.80+/-0.50	4.80+/-0.20	BY ITEM	2.50+/-0.50	15.00	6.00	BY ITEM

Electrical Characteristics :

Part No.	Inductance (uH) +/-20%	DCR (m Ohm) Typ.	DCR (m Ohm) Max.	Isat (Amp) Typ.	Irms (Amp) Typ.	Dimension "D" (mm)	Dimension "H" (mm) Ref.
GSTD1250PE-7R8M	7.80	17.20	20.50	18.00	10.00	3.8 +/- 0.5	5.0
GSTD1250PE-8R2M	8.20	18.90	22.50	18.00	9.50	3.8 +/- 0.5	5.0
GSTD1250PE-100M	10.00	21.40	25.50	16.00	9.00	3.8 +/- 0.5	5.0

* Test Condition : @100KHz , 1.0Vrms , 25deg.C Ambient

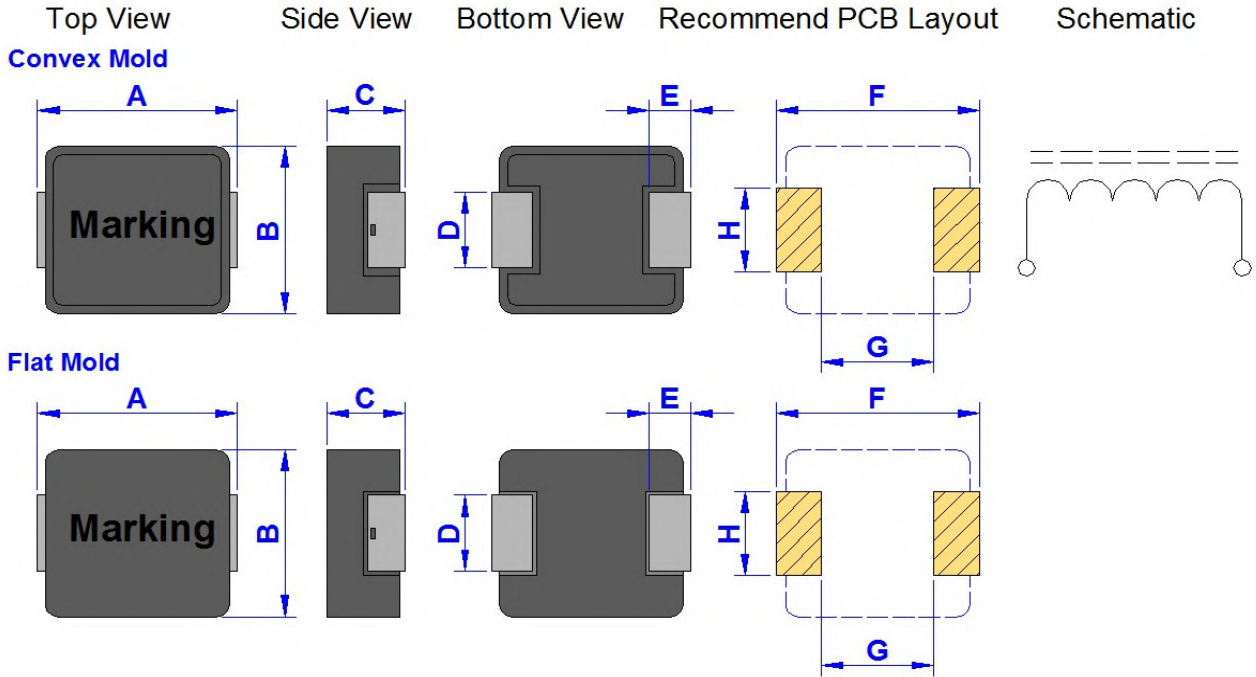
* I_{rms} : Rated Current Loading when temperature rise approximately 40deg.C

* I_{sat} : Saturated Current measured at the point of L drop approximately 30%

Product Series : GSTD	Brand : GOTREND
File Version : GSTD-SERIES-V5R7	Editor : Teddy Sun
Established Date : 2011.08.08	Description : High Current Inductor
Latest Edit Date : 2020.10.30	Product Type : <input checked="" type="checkbox"/> Standard <input type="checkbox"/> Customize

GSTD1265PE-SERIES

Dimension [mm] :



Size	A	B	C	D	E	F(Ref.)	G(Ref.)	H(Ref.)
1265PE	13.50+/-1.00	12.80+/-0.50	6.20+/-0.30	BY ITEM	2.50+/-0.50	15.00	6.00	BY ITEM

Electrical Characteristics :

Part No.	Inductance (uH) +/-20%	DCR (m Ohm) Typ.	DCR (m Ohm) Max.	Isat (Amp) Typ.	Irms (Amp) Typ.	Dimension "D" (mm)	Dimension "H" (mm) Ref.
GSTD1265PE-R10M	0.10	0.47	0.50	120.00	60.00	3.8 +/- 0.5	5.0
GSTD1265PE-R15M	0.15	0.53	0.60	118.00	55.00	3.8 +/- 0.5	5.0
GSTD1265PE-R22M	0.22	0.63	0.70	112.00	53.00	3.8 +/- 0.5	5.0
GSTD1265PE-R30M	0.30	0.70	0.80	72.00	48.00	3.8 +/- 0.5	5.0
GSTD1265PE-R33M	0.33	0.83	0.90	65.00	46.00	3.8 +/- 0.5	5.0
GSTD1265PE-R40M	0.40	0.90	1.00	64.00	44.00	3.8 +/- 0.5	5.0
GSTD1265PE-R47M	0.47	1.00	1.20	63.00	41.00	3.8 +/- 0.5	5.0
GSTD1265PE-R56M	0.56	1.20	1.40	62.00	37.00	3.8 +/- 0.5	5.0
GSTD1265PE-R68M	0.68	1.40	1.60	60.00	35.00	3.8 +/- 0.5	5.0
GSTD1265PE-R82M	0.82	1.60	1.90	50.00	33.00	3.8 +/- 0.5	5.0
GSTD1265PE-1R0M	1.00	1.70	2.00	49.00	32.00	3.8 +/- 0.5	5.0
GSTD1265PE-1R2M	1.20	2.10	2.50	48.00	30.00	3.8 +/- 0.5	5.0
GSTD1265PE-1R5M	1.50	2.50	3.00	45.00	27.00	3.8 +/- 0.5	5.0
GSTD1265PE-1R8M	1.80	2.80	3.20	41.00	24.00	3.8 +/- 0.5	5.0
GSTD1265PE-2R2M	2.20	3.50	4.20	40.00	22.00	3.8 +/- 0.5	5.0
GSTD1265PE-3R3M	3.30	5.70	6.80	35.00	18.00	3.8 +/- 0.5	5.0
GSTD1265PE-4R7M	4.70	9.30	11.20	30.00	13.50	3.8 +/- 0.5	5.0

* Test Condition : @100KHz , 1.0Vrms , 25deg.C Ambient

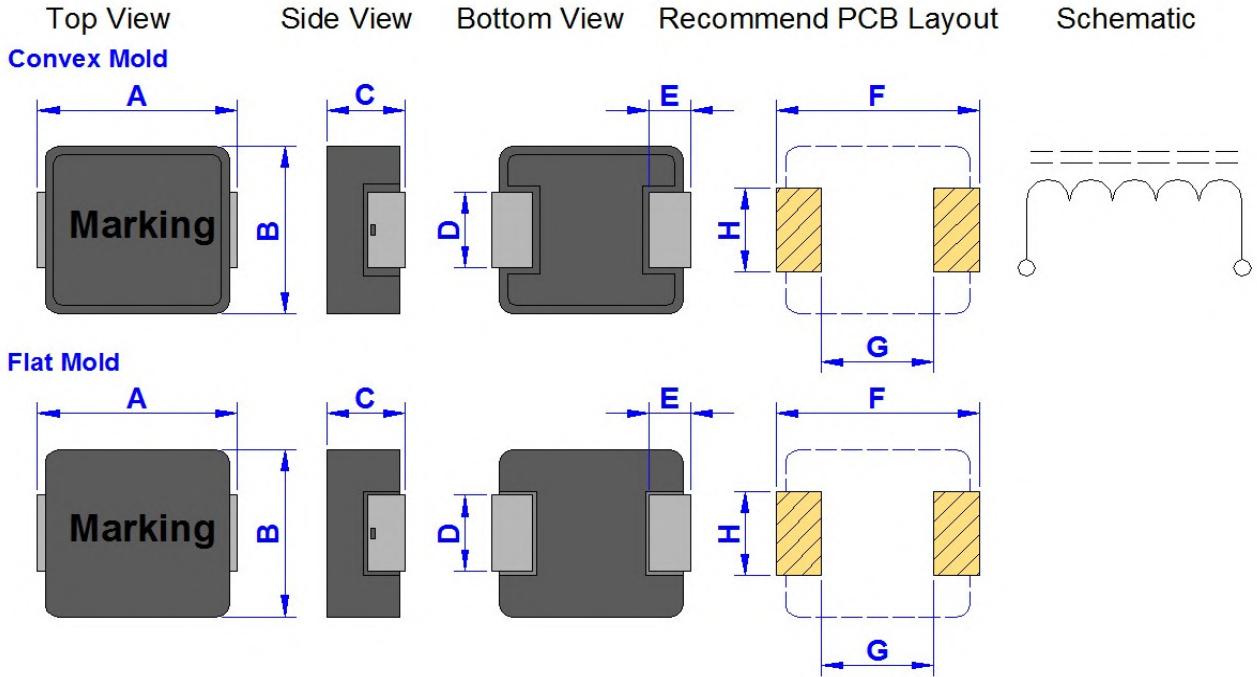
* I rms : Rated Current Loading when temperature rise approximately 40deg.C

* Isat : Saturated Current measured at the point of L drop approximately 30%

Product Series : GSTD	Brand : GOTREND
File Version : GSTD-SERIES-V5R7	Editor : Teddy Sun
Established Date : 2011.08.08	Description : High Current Inductor
Latest Edit Date : 2020.10.30	Product Type : <input checked="" type="checkbox"/> Standard <input type="checkbox"/> Customize

GSTD1265PE-SERIES

Dimension [mm] :



Size	A	B	C	D	E	F(Ref.)	G(Ref.)	H(Ref.)
1265PE	13.50+/-1.00	12.80+/-0.50	6.20+/-0.30	BY ITEM	2.50+/-0.50	15.00	6.00	BY ITEM

Electrical Characteristics :

Part No.	Inductance (uH) +/-20%	DCR (m Ohm) Typ.	DCR (m Ohm) Max.	Isat (Amp) Typ.	Irms (Amp) Typ.	Dimension "D" (mm)	Dimension "H" (mm) Ref.
GSTD1265PE-5R6M	5.60	11.80	12.80	26.50	12.00	3.8 +/- 0.5	5.0
GSTD1265PE-6R8M	6.80	13.10	14.00	16.50	11.50	3.8 +/- 0.5	5.0
GSTD1265PE-8R2M	8.20	14.50	15.50	16.00	10.50	3.8 +/- 0.5	5.0
GSTD1265PE-100M	10.00	15.80	16.80	15.50	10.00	3.8 +/- 0.5	5.0
GSTD1265PE-120M	12.00	23.00	26.00	14.00	9.00	3.8 +/- 0.5	5.0
GSTD1265PE-150M	15.00	25.00	29.00	9.00	6.00	3.8 +/- 0.5	5.0
GSTD1265PE-220M	22.00	34.00	39.00	7.50	5.00	3.8 +/- 0.5	5.0
GSTD1265PE-330M	33.00	55.00	65.00	6.00	4.00	3.8 +/- 0.5	5.0
GSTD1265PE-470M	47.00	80.00	92.00	5.00	3.00	3.8 +/- 0.5	5.0

* Test Condition : @100KHz , 1.0Vrms , 25deg.C Ambient

* I_{rms} : Rated Current Loading when temperature rise approximately 40deg.C

* I_{sat} : Saturated Current measured at the point of L drop approximately 30%

Product Series : GSTH	Brand : GOTREND
File Version : GSTH-SERIES-V1R1	Editor : Teddy Sun
Established Date : 2020.02.19	Description : High Current Inductor
Latest Edit Date : 2020.10.30	Product Type : <input checked="" type="checkbox"/> Standard <input type="checkbox"/> Customize

Features & Application :

- * High performance (Isat) realized by metal dust core.
- * Low loss realized with low DCR
- * Capable of corresponding high frequency
- * 100% lead (Pb) free meet RoHS standard
- * DC / DC converter for CPU in Notebook PC



(Picture for reference only)

Part No. Example :

PN	:	GSTH	5030	P	-	1R0	<input type="checkbox"/>
-----		-----	-----	---		-----	----
ID	:	1	2	3		4	5
1	:	GOTREND Ser ies : GSTH					
2	:	Type Size Code : 5030 = 5.7 x 5.2 x 2.8 mm					
3	:	P = Pb free < 1000 ppm					
4	:	[L] Value : Inductance 1R0 = 1.0 uH					
5	:	[L] Tolerance : M = +/-20% , N = +/-30%					

Basic Information :

Made in	China
Pin Foot	SMD
Shielding	Yes
J-STD-020	MSL Level 1
RoHS	Compliant
REACH	Compliant
Halogen	Free

Operating & Storage Condition :

- * Operating Temp -40 ~ +125 deg.C (Including self - temperature rise)
- * Storage Temp 1. -10 ~ +45 deg.C , 50 ~ 60% RH (Product with taping)
2. -40 ~ +125 deg.C (On board)
- * Storage Life Time 12 Month (Less than 40 deg.C and 60% RH)

Attention & Caution :

- * Keep out of Splashing water or salt water
- * Avoid Toxic Gas (Hydrogen sulfide, Sulfurous acid, Chlorine, Ammonia)
- * Avoid Vibrations or shocks which exceed the specified condition
- * Avoid Dew condense
- * Avoid Layout near the edge of PCB
- * Avoid Over flexure after SMT mounting & PCBA
- * Pin foot or SMD pad solderability: Pb free type is best within 6 months after delivery
- * Humidity sensitive , IPC/JEDEC J-STD-020 MSL if over Level 1, recommend bake 30mins@150 degree before PCBA
- * Caution for human life relative applications : PLS contact & consult with GOTREND team in design stage.

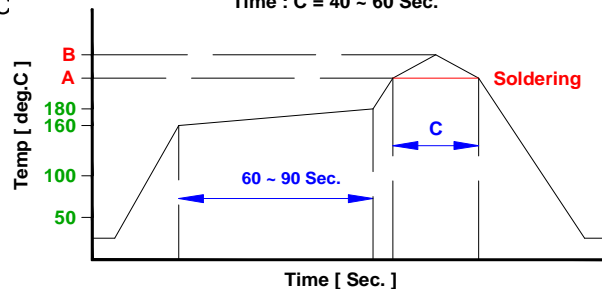


Test Condition :

- * Equipment HP4284A , HP42841A - L , Q , DCR , IDC
HP8753D Network analyzer - SRF
- * Standard Atmosphere Conditions:
Ambient Temperature 20 ± 15 deg.C
Humidity RH 65 ± 20%
- * If there may be any doubt on the test result ,
Measurement shall be made within the following limits:
Ambient Temperature 25 ± 5 deg.C
Humidity RH 75 ± 10%

Recommend IR Reflow Curve : GTX-IR-FILE001

Lead Free Solder : A = 217 deg.C , B = 245+/-5 deg.C
Time : C = 40 ~ 60 Sec.

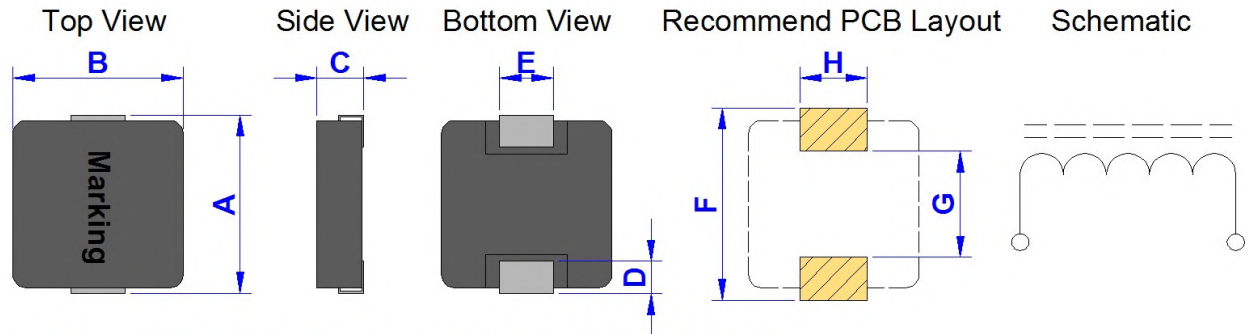


Notice : Iron Soldering , Solder < 30 Watt ,
Direct touch the terminal x 3 Sec. Max. @ 350 deg.C

Product Series : GSTH	Brand : GOTREND
File Version : GSTH-SERIES-V1R1	Editor : Teddy Sun
Established Date : 2020.02.19	Description : High Current Inductor
Latest Edit Date : 2020.10.30	Product Type : <input checked="" type="checkbox"/> Standard <input type="checkbox"/> Customize

GSTH3020P-SERIES

Dimension [mm] :



Marking : Inductance code please see the electrical specification

A	B	C	D	E	F(Ref.)	G(Ref.)	H(Ref.)
3.5+/-0.2	3.2+/-0.2	1.8+/-0.2	0.7+/-0.2	1.2+/-0.2	4.1	1.9	1.45

Electrical Characteristics :

Part No.	Inductance (uH)	Inductance Tolerance	DCR (m Ohm)		Isat (A)		Irms (A)		Marking
			Typ.	Max.	Typ.	Max.	Typ.	Max.	
GSTH3020P-R10N	0.10	N	6.5	7.0	11.5	10.0	10.0	9.0	.10H
GSTH3020P-R22N	0.22	N	11.5	14.0	9.2	8.3	8.5	7.8	.22H
GSTH3020P-R36M	0.36	M	17.0	21.0	8.0	7.0	7.0	6.0	.36H
GSTH3020P-R47M	0.47	M	19.7	23.0	7.0	6.0	6.0	5.3	.47H
GSTH3020P-R68M	0.68	M	24.0	29.0	6.0	5.5	5.5	5.0	.68H
GSTH3020P-1R0M	1.00	M	30.0	36.0	5.5	5.0	5.0	4.0	1.0H
GSTH3020P-1R5M	1.50	M	44.0	50.0	4.0	3.5	3.7	3.3	1.5H
GSTH3020P-2R2M	2.20	M	65.0	75.0	3.7	3.2	3.5	3.0	2.2H
GSTH3020P-3R3M	3.30	M	125.0	145.0	2.8	2.4	2.6	2.3	3.3H
GSTH3020P-4R7M	4.70	M	167.0	200.0	2.0	1.8	1.8	1.6	4.7H
GSTH3020P-5R6M	5.60	M	205.0	238.0	1.9	1.7	1.7	1.5	5.6H
GSTH3020P-6R8M	6.80	M	260.0	300.0	1.8	1.6	1.6	1.4	6.8H
GSTH3020P-8R2M	8.20	M	340.0	390.0	1.4	1.2	1.4	1.2	8.2H
GSTH3020P-100M	10.00	M	360.0	422.0	1.3	1.2	1.3	1.2	10H

* Test Condition @100KHz , 1.0Vrms , 25deg.C Ambient

* Inductance Tolerance : M = +/-20% , N = +/-30%

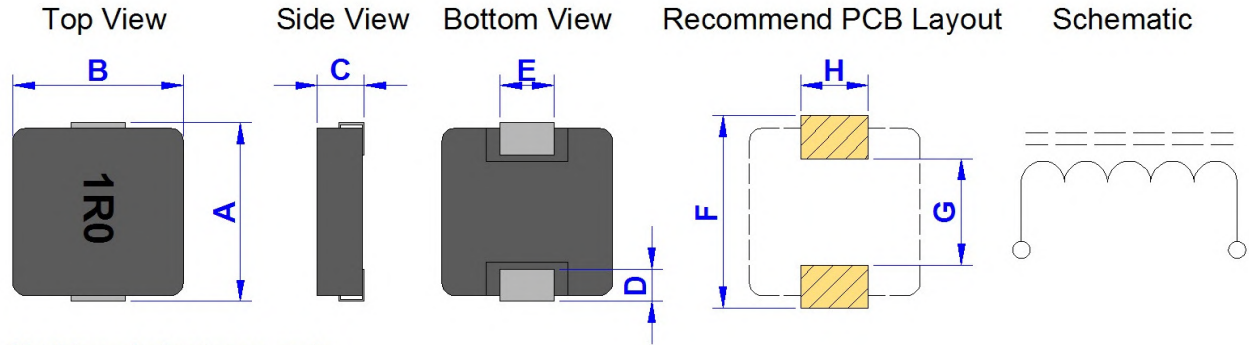
* Irms : Rated Current Loading when temperature rise approximately 40deg.C

* Isat : Saturated Current measured at the point of L drop approximately 30%

Product Series : GSTH	Brand : GOTREND
File Version : GSTH-SERIES-V1R1	Editor : Teddy Sun
Established Date : 2020.02.19	Description : High Current Inductor
Latest Edit Date : 2020.10.30	Product Type : <input checked="" type="checkbox"/> Standard <input type="checkbox"/> Customize

GSTH4020P-SERIES

Dimension [mm] :



Marking : Inductance code

A	B	C	D	E	F(Ref.)	G(Ref.)	H(Ref.)
4.45+/-0.25	4.1+/-0.2	1.8+/-0.2	0.8+/-0.25	2.0+/-0.2	5.2	2.2	2.5

Electrical Characteristics :

Part No.	Inductance (uH)	Inductance Tolerance	DCR (m Ohm)		Isat (A)		Irms (A)	
			Typ.	Max.	Typ.	Max.	Typ.	Max.
GSTH4020P-R10N	0.10	N	3.2	4.0	30.0	26.0	16.0	14.0
GSTH4020P-R36M	0.36	M	8.7	12.0	12.0	10.0	12.0	10.0
GSTH4020P-R47M	0.47	M	10.6	11.8	11.0	9.0	10.0	9.0
GSTH4020P-R56M	0.56	M	14.2	16.0	10.0	8.6	9.0	8.2
GSTH4020P-R68M	0.68	M	16.0	18.4	9.6	8.2	8.5	7.6
GSTH4020P-1R0M	1.00	M	22.0	25.3	8.2	7.4	7.0	6.0
GSTH4020P-1R5M	1.50	M	34.0	40.0	7.0	6.2	6.0	5.0
GSTH4020P-2R2M	2.20	M	45.0	52.0	5.8	5.2	5.5	4.7
GSTH4020P-3R3M	3.30	M	63.0	72.0	4.2	3.7	4.2	3.7
GSTH4020P-4R7M	4.70	M	93.0	105.0	3.8	3.2	3.3	2.6
GSTH4020P-6R8M	6.80	M	145.0	167.0	3.3	2.8	2.9	2.2

* Test Condition @100KHz , 1.0Vrms , 25deg.C Ambient

* Inductance Tolerance : M = +/-20% , N = +/-30%

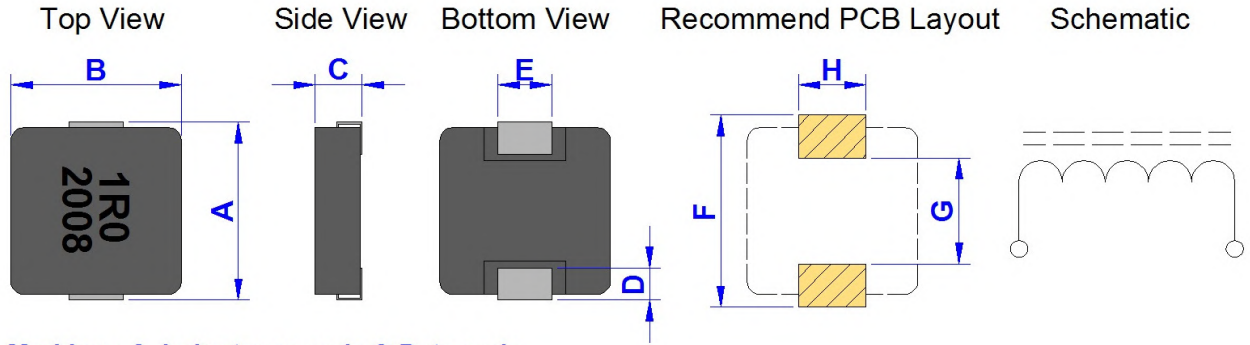
* I_{rms} : Rated Current Loading when temperature rise approximately 40deg.C

* I_{sat} : Saturated Current measured at the point of L drop approximately 30%

Product Series : GSTH	Brand : GOTREND
File Version : GSTH-SERIES-V1R1	Editor : Teddy Sun
Established Date : 2020.02.19	Description : High Current Inductor
Latest Edit Date : 2020.10.30	Product Type : <input checked="" type="checkbox"/> Standard <input type="checkbox"/> Customize

GSTH5020P-SERIES

Dimension [mm] :



Marking : A. Inductance code & Date code
 (1) Year ex. 2020 = 20
 (2) Weekly serial number 01 ~ 52

A	B	C	D	E	F(Ref.)	G(Ref.)	H(Ref.)
5.7+/-0.3	5.2+/-0.2	1.8+/-0.2	1.0+/-0.3	2.5+/-0.3	6.0	2.8	2.5

Electrical Characteristics :

Part No.	Inductance (uH)	Inductance Tolerance	DCR (m Ohm)		Isat (A)		Irms (A)	
			Typ.	Max.	Typ.	Max.	Typ.	Max.
GSTH5020P-R10N	0.10	N	2.7	3.0	36.0	32.0	20.0	18.0
GSTH5020P-R15N	0.15	N	3.6	4.0	34.0	30.0	18.0	16.0
GSTH5020P-R22M	0.22	M	4.4	4.6	23.0	21.0	16.0	14.0
GSTH5020P-R33M	0.33	M	5.5	6.1	17.0	15.0	14.0	12.0
GSTH5020P-R47M	0.47	M	6.8	7.6	16.0	14.0	11.5	10.0
GSTH5020P-R68M	0.68	M	10.6	11.7	13.0	11.0	10.0	9.0
GSTH5020P-1R0M	1.00	M	13.8	15.2	10.5	9.0	9.0	7.5
GSTH5020P-1R5M	1.50	M	25.6	28.7	9.6	8.0	7.0	6.0
GSTH5020P-2R2M	2.20	M	36.0	41.0	8.8	7.7	5.5	4.5
GSTH5020P-3R3M	3.30	M	66.0	74.0	7.0	6.2	4.0	3.4
GSTH5020P-4R7M	4.70	M	95.0	109.0	6.0	5.5	3.2	2.8
GSTH5020P-6R8M	6.80	M	130.0	150.0	5.0	4.2	2.8	2.4
GSTH5020P-8R2M	8.20	M	150.0	171.0	4.0	3.5	2.6	2.2
GSTH5020P-100M	10.00	M	180.0	190.0	3.6	3.2	2.5	2.1

* Test Condition @100KHz , 1.0Vrms , 25deg.C Ambient

* Inductance Tolerance : M = +/-20% , N = +/-30%

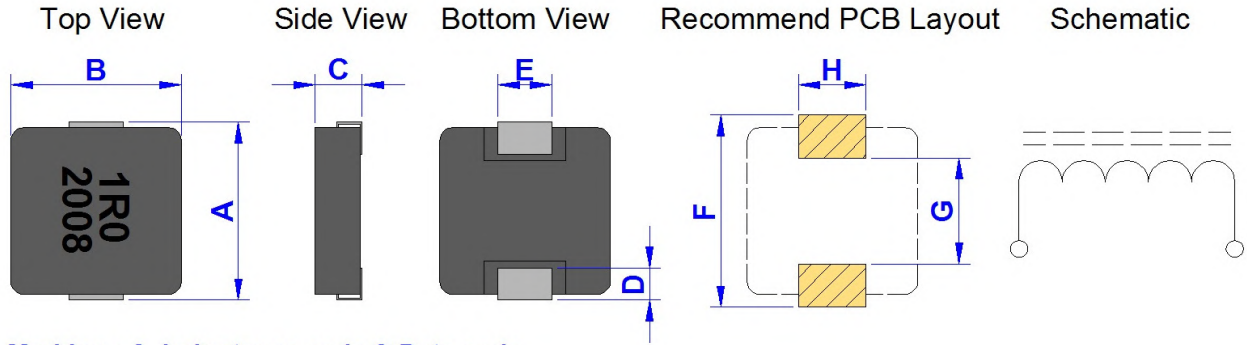
* Irms : Rated Current Loading when temperature rise approximately 40deg.C

* Isat : Saturated Current measured at the point of L drop approximately 30%

Product Series : GSTH	Brand : GOTREND
File Version : GSTH-SERIES-V1R1	Editor : Teddy Sun
Established Date : 2020.02.19	Description : High Current Inductor
Latest Edit Date : 2020.10.30	Product Type : <input checked="" type="checkbox"/> Standard <input type="checkbox"/> Customize

GSTH5030P-SERIES

Dimension [mm] :



Marking : A. Inductance code & Date code
 (1) Year ex. 2020 = 20
 (2) Weekly serial number 01 ~ 52

A	B	C	D	E	F(Ref.)	G(Ref.)	H(Ref.)
5.7+/-0.3	5.2+/-0.2	2.8+/-0.2	1.0+/-0.3	2.0+/-0.3	6.0	2.8	2.5

Electrical Characteristics :

Part No.	Inductance (uH)	Inductance Tolerance	DCR (m Ohm)		Isat (A)		Irms (A)	
			Typ.	Max.	Typ.	Max.	Typ.	Max.
GSTH5030P-R10N	0.10	N	2.5	3.0	33.0	29.0	25.0	22.0
GSTH5030P-R12N	0.12	N	2.5	3.0	31.0	28.0	23.0	20.0
GSTH5030P-R15N	0.15	N	2.6	3.2	30.0	27.0	22.0	19.0
GSTH5030P-R33M	0.33	M	4.4	5.0	20.0	17.0	17.0	15.0
GSTH5030P-R47M	0.47	M	6.4	7.4	17.0	15.0	16.0	14.0
GSTH5030P-R68M	0.68	M	8.7	10.0	15.0	14.0	12.0	10.0
GSTH5030P-1R0M	1.00	M	12.0	14.0	12.0	11.0	10.0	9.0
GSTH5030P-1R5M	1.50	M	16.0	19.0	10.5	9.5	8.0	7.0
GSTH5030P-2R2M	2.20	M	26.0	32.0	8.0	7.0	7.0	6.0
GSTH5030P-3R3M	3.30	M	33.0	38.0	7.0	6.0	5.0	4.2
GSTH5030P-4R7M	4.70	M	50.0	53.0	6.0	5.0	4.0	3.5
GSTH5030P-5R6M	5.60	M	55.0	63.0	5.0	4.5	3.6	3.1
GSTH5030P-6R8M	6.80	M	63.0	72.0	4.0	3.5	3.3	2.8
GSTH5030P-100M	10.00	M	102.0	122.0	2.8	2.2	2.8	2.2

* Test Condition @100KHz , 1.0Vrms , 25deg.C Ambient

* Inductance Tolerance : M = +/-20% , N = +/-30%

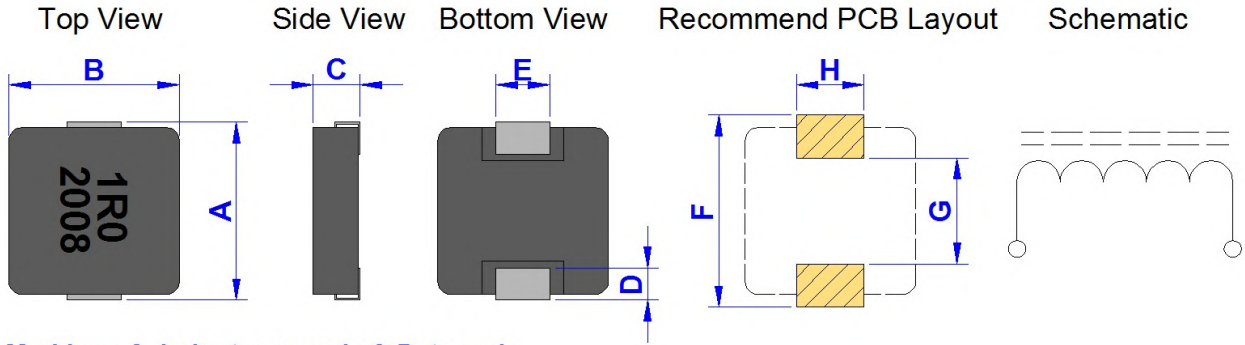
* Irms : Rated Current Loading when temperature rise approximately 40deg.C

* Isat : Saturated Current measured at the point of L drop approximately 30%

Product Series : GSTH	Brand : GOTREND
File Version : GSTH-SERIES-V1R1	Editor : Teddy Sun
Established Date : 2020.02.19	Description : High Current Inductor
Latest Edit Date : 2020.10.30	Product Type : <input checked="" type="checkbox"/> Standard <input type="checkbox"/> Customize

GSTH6024P-SERIES

Dimension [mm] :



Marking : A. Inductance code & Date code
 (1) Year ex. 2020 = 20
 (2) Weekly serial number 01 ~ 52

A	B	C	D	E	F(Ref.)	G(Ref.)	H(Ref.)
7.1+/-0.3	6.6+/-0.2	2.2+/-0.2	1.6+/-0.3	3.0+/-0.2	8.0	3.7	3.4

Electrical Characteristics :

Part No.	Inductance (uH)	Inductance Tolerance	DCR (m Ohm)		Isat (A)		Irms (A)	
			Typ.	Max.	Typ.	Max.	Typ.	Max.
GSTH6024P-R10N	0.10	N	1.2	1.5	70.0	65.0	30.0	26.0
GSTH6024P-R15N	0.15	N	1.8	2.3	50.0	45.0	28.0	24.0
GSTH6024P-R22M	0.22	M	2.2	2.6	40.0	36.0	25.0	21.0
GSTH6024P-R33M	0.33	M	3.5	4.0	32.0	28.0	21.0	18.0
GSTH6024P-R47M	0.47	M	4.4	5.1	26.0	23.0	18.0	15.0
GSTH6024P-R68M	0.68	M	5.5	6.3	21.0	18.0	16.0	13.0
GSTH6024P-1R0M	1.00	M	10.5	13.5	17.0	15.0	12.0	10.0
GSTH6024P-1R5M	1.50	M	16.0	19.0	15.0	13.0	9.5	8.0
GSTH6024P-2R2M	2.20	M	19.0	26.0	14.0	12.0	8.5	7.0
GSTH6024P-3R3M	3.30	M	33.0	38.0	11.0	9.0	7.0	6.0
GSTH6024P-4R7M	4.70	M	40.0	47.0	8.5	7.5	6.5	5.5
GSTH6024P-6R8M	6.80	M	63.0	72.0	7.0	6.0	5.0	4.0
GSTH6024P-8R2M	8.20	M	76.0	87.0	6.1	5.2	4.4	3.8
GSTH6024P-100M	10.00	M	85.0	98.0	5.3	4.9	3.8	3.2

* Test Condition @100KHz , 1.0Vrms , 25deg.C Ambient

* Inductance Tolerance : M = +/-20% , N = +/-30%

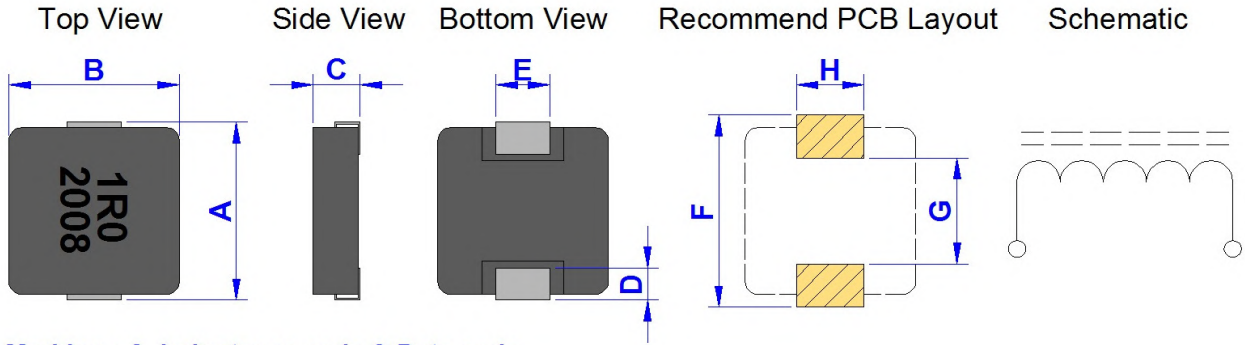
* Irms : Rated Current Loading when temperature rise approximately 40deg.C

* Isat : Saturated Current measured at the point of L drop approximately 30%

Product Series : GSTH	Brand : GOTREND
File Version : GSTH-SERIES-V1R1	Editor : Teddy Sun
Established Date : 2020.02.19	Description : High Current Inductor
Latest Edit Date : 2020.10.30	Product Type : <input checked="" type="checkbox"/> Standard <input type="checkbox"/> Customize

GSTH6030P-SERIES

Dimension [mm] :



Marking : A. Inductance code & Date code
 (1) Year ex. 2020 = 20
 (2) Weekly serial number 01 ~ 52

A	B	C	D	E	F(Ref.)	G(Ref.)	H(Ref.)
7.1+/-0.3	6.6+/-0.2	2.8+/-0.2	1.6+/-0.3	3.0+/-0.2	8.0	3.7	3.4

Electrical Characteristics :

Part No.	Inductance (uH)	Inductance Tolerance	DCR (m Ohm)		Isat (A)		Irms (A)	
			Typ.	Max.	Typ.	Max.	Typ.	Max.
GSTH6030P-R10M	0.10	M	1.2	1.7	60.0	55.0	37.5	28.0
GSTH6030P-R15M	0.15	M	1.5	1.9	50.0	45.0	27.0	23.0
GSTH6030P-R33M	0.33	M	3.5	3.9	32.0	28.0	20.0	17.0
GSTH6030P-R47M	0.47	M	4.0	4.3	27.0	23.0	17.5	16.0
GSTH6030P-R68M	0.68	M	4.8	5.5	25.0	22.0	15.5	14.0
GSTH6030P-1R0M	1.00	M	8.3	10.0	22.0	19.0	11.0	10.0
GSTH6030P-1R5M	1.50	M	11.0	14.0	18.0	17.0	9.0	8.0
GSTH6030P-2R2M	2.20	M	15.0	18.0	14.0	12.0	8.0	7.0
GSTH6030P-3R3M	3.30	M	27.0	30.0	13.5	11.5	6.0	5.3
GSTH6030P-4R7M	4.70	M	37.0	40.0	10.0	8.5	5.5	4.9
GSTH6030P-6R8M	6.80	M	54.0	60.0	8.3	7.0	4.5	4.0
GSTH6030P-8R2M	8.20	M	60.0	66.0	6.8	5.5	4.1	3.6
GSTH6030P-100M	10.00	M	63.0	68.0	6.0	5.0	3.5	3.1
GSTH6030P-150M	15.00	M	107.0	123.0	4.0	3.5	3.0	2.7
GSTH6030P-220M	22.00	M	155.0	180.0	3.6	3.2	2.2	1.9

* Test Condition @100KHz , 1.0Vrms , 25deg.C Ambient

* Inductance Tolerance : M = +/-20%

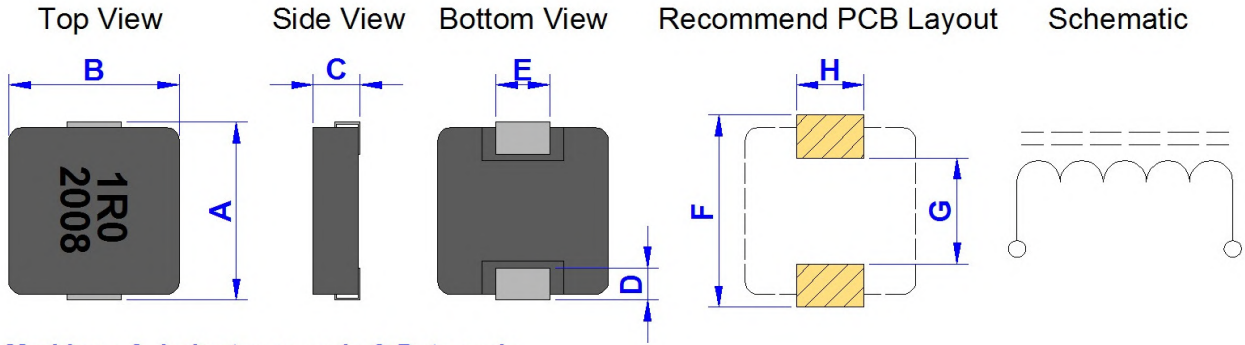
* Irms : Rated Current Loading when temperature rise approximately 40deg.C

* Isat : Saturated Current measured at the point of L drop approximately 30%

Product Series : GSTH	Brand : GOTREND
File Version : GSTH-SERIES-V1R1	Editor : Teddy Sun
Established Date : 2020.02.19	Description : High Current Inductor
Latest Edit Date : 2020.10.30	Product Type : <input checked="" type="checkbox"/> Standard <input type="checkbox"/> Customize

GSTH6050P-SERIES

Dimension [mm] :



Marking : A. Inductance code & Date code
 (1) Year ex. 2020 = 20
 (2) Weekly serial number 01 ~ 52

A	B	C	D	E	F(Ref.)	G(Ref.)	H(Ref.)
7.3+/-0.3	6.6+/-0.3	4.8+/-0.2	1.6+/-0.3	3.0+/-0.2	8.0	3.5	3.4

Electrical Characteristics :

Part No.	Inductance (uH)	Inductance Tolerance	DCR (m Ohm)		Isat (A)		Irms (A)	
			Typ.	Max.	Typ.	Max.	Typ.	Max.
GSTH6050P-R10N	0.10	N	1.05	1.2	65.0	60.0	32.0	28.0
GSTH6050P-R15N	0.15	N	1.3	1.7	55.0	50.0	30.0	27.0
GSTH6050P-R22M	0.22	M	1.6	1.9	40.0	35.0	26.0	23.0
GSTH6050P-R33M	0.33	M	2.5	3.0	35.0	32.0	24.0	21.0
GSTH6050P-R47M	0.47	M	3.2	3.7	30.0	27.0	22.0	20.0
GSTH6050P-R68M	0.68	M	4.0	4.5	25.0	22.0	18.0	16.0
GSTH6050P-1R0M	1.00	M	5.6	6.2	18.0	15.0	16.0	14.0
GSTH6050P-1R5M	1.50	M	7.6	8.5	16.0	14.0	14.0	12.0
GSTH6050P-2R2M	2.20	M	11.2	12.0	13.0	11.0	13.0	11.0
GSTH6050P-3R3M	3.30	M	19.0	20.9	12.0	10.0	8.5	7.5
GSTH6050P-4R7M	4.70	M	26.5	30.0	9.5	8.0	8.0	6.5
GSTH6050P-6R8M	6.80	M	42.0	48.0	8.5	7.0	6.5	5.5
GSTH6050P-8R2M	8.20	M	49.0	56.0	7.5	6.5	6.0	5.0
GSTH6050P-100M	10.00	M	52.0	60.0	7.0	6.0	5.5	4.5

* Test Condition @100KHz , 1.0Vrms , 25deg.C Ambient

* Inductance Tolerance : M = +/-20% , N = +/-30%

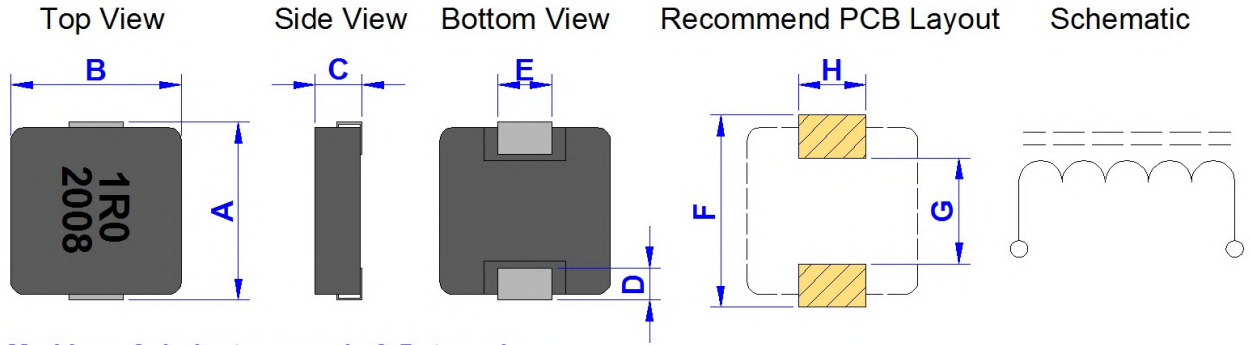
* Irms : Rated Current Loading when temperature rise approximately 40deg.C

* Isat : Saturated Current measured at the point of L drop approximately 30%

Product Series : GSTH	Brand : GOTREND
File Version : GSTH-SERIES-V1R1	Editor : Teddy Sun
Established Date : 2020.02.19	Description : High Current Inductor
Latest Edit Date : 2020.10.30	Product Type : <input checked="" type="checkbox"/> Standard <input type="checkbox"/> Customize

GSTH8030P-SERIES

Dimension [mm] :



Marking : A. Inductance code & Date code
 (1) Year ex. 2020 = 20
 (2) Weekly serial number 01 ~ 52

A	B	C	D	E	F(Ref.)	G(Ref.)	H(Ref.)
8.8+/-0.4	8.2+/-0.3	2.8+/-0.2	1.4+/-0.3	5.0+/-0.3	9.5	4.0	5.5

Electrical Characteristics :

Part No.	Inductance (uH)	Inductance Tolerance	DCR (m Ohm)		Isat (A)		Irms (A)	
			Typ.	Max.	Typ.	Max.	Typ.	Max.
GSTH8030P-R22M	0.22	M	1.6	1.84	40.0	35.0	30.0	25.0
GSTH8030P-R33M	0.33	M	2.2	2.53	32.0	28.0	28.0	24.0
GSTH8030P-R47M	0.47	M	2.7	3.1	27.0	24.0	25.0	22.0
GSTH8030P-R68M	0.68	M	3.9	4.5	22.0	20.0	22.0	19.0
GSTH8030P-R82M	0.82	M	4.8	5.5	21.0	18.0	20.0	18.0
GSTH8030P-1R0M	1.00	M	5.9	6.8	18.0	16.0	18.0	16.0
GSTH8030P-1R5M	1.50	M	7.5	8.6	16.5	14.5	15.5	13.5
GSTH8030P-2R2M	2.20	M	12.5	14.4	13.5	12.0	13.0	11.5
GSTH8030P-3R3M	3.30	M	18.5	21.3	13.0	11.5	11.0	9.0
GSTH8030P-4R7M	4.70	M	27.0	31.0	9.5	8.0	9.0	7.7
GSTH8030P-5R6M	5.60	M	31.0	35.7	8.8	7.5	7.5	6.5
GSTH8030P-6R8M	6.80	M	34.0	39.1	8.2	7.0	7.0	6.0
GSTH8030P-8R2M	8.20	M	45.0	51.8	7.3	6.4	6.2	5.2
GSTH8030P-100M	10.00	M	51.0	58.7	6.4	5.9	5.7	4.8
GSTH8030P-150M	15.00	M	87.0	100.0	5.5	4.9	4.7	4.2

* Test Condition @100KHz , 1.0Vrms , 25deg.C Ambient

* Inductance Tolerance : M = +/-20%

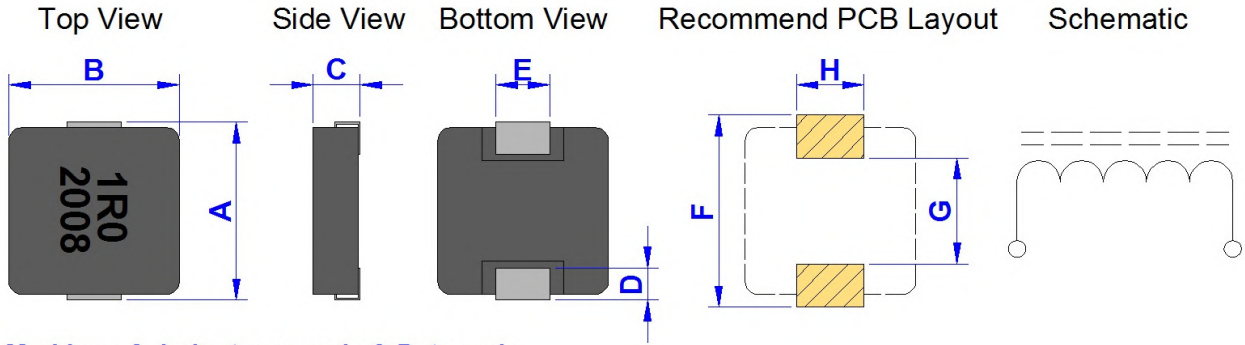
* Irms : Rated Current Loading when temperature rise approximately 40deg.C

* Isat : Saturated Current measured at the point of L drop approximately 30%

Product Series : GSTH	Brand : GOTREND
File Version : GSTH-SERIES-V1R1	Editor : Teddy Sun
Established Date : 2020.02.19	Description : High Current Inductor
Latest Edit Date : 2020.10.30	Product Type : <input checked="" type="checkbox"/> Standard <input type="checkbox"/> Customize

GSTH8040P-SERIES

Dimension [mm] :



Marking : A. Inductance code & Date code
 (1) Year ex. 2020 = 20
 (2) Weekly serial number 01 ~ 52

A	B	C	D	E	F(Ref.)	G(Ref.)	H(Ref.)
8.8+/-0.4	8.2+/-0.3	3.8+/-0.2	1.4+/-0.3	5.0+/-0.3	9.5	4.0	5.5

Electrical Characteristics :

Part No.	Inductance (uH)	Inductance Tolerance	DCR (m Ohm)		Isat (A)		Irms (A)	
			Typ.	Max.	Typ.	Max.	Typ.	Max.
GSTH8040P-R22M	0.22	M	1.6	1.8	60.0	55.0	36.0	30.0
GSTH8040P-R33M	0.33	M	2.0	2.4	45.0	40.0	30.0	25.0
GSTH8040P-R47M	0.47	M	2.5	2.8	42.0	36.0	28.0	25.0
GSTH8040P-R56M	0.56	M	2.8	3.2	26.0	23.0	24.0	22.0
GSTH8040P-R68M	0.68	M	3.4	3.8	24.0	22.0	23.0	21.0
GSTH8040P-R82M	0.82	M	4.0	4.4	21.0	19.0	21.0	19.0
GSTH8040P-1R0M	1.00	M	4.2	4.62	19.0	17.0	19.0	17.0
GSTH8040P-1R5M	1.50	M	6.9	7.6	17.0	15.0	17.0	15.0
GSTH8040P-1R8M	1.80	M	9.2	11.0	15.0	13.5	15.0	12.5
GSTH8040P-2R2M	2.20	M	10.3	11.4	14.0	12.0	14.0	12.0
GSTH8040P-3R3M	3.30	M	13.0	15.0	12.5	11.0	12.0	10.0
GSTH8040P-4R7M	4.70	M	23.0	26.5	11.5	10.5	9.5	8.5
GSTH8040P-5R6M	5.60	M	25.0	30.0	11.0	10.0	9.0	8.0
GSTH8040P-6R8M	6.80	M	32.0	36.8	9.0	8.0	8.0	7.0
GSTH8040P-8R2M	8.20	M	40.0	46.0	8.7	7.7	7.0	6.0
GSTH8040P-100M	10.00	M	51.0	59.0	8.0	7.0	6.5	5.5
GSTH8040P-150M	15.00	M	61.0	71.0	5.5	4.9	5.4	4.8
GSTH8040P-220M	22.00	M	98.0	113.0	5.0	4.5	4.8	4.2
GSTH8040P-330M	33.00	M	135.0	156.0	3.5	3.3	3.5	3.0
GSTH8040P-470M	47.00	M	195.0	225.0	3.1	2.9	2.9	2.5

* Test Condition @100KHz , 1.0Vrms , 25deg.C Ambient

* Inductance Tolerance : M = +/-20%

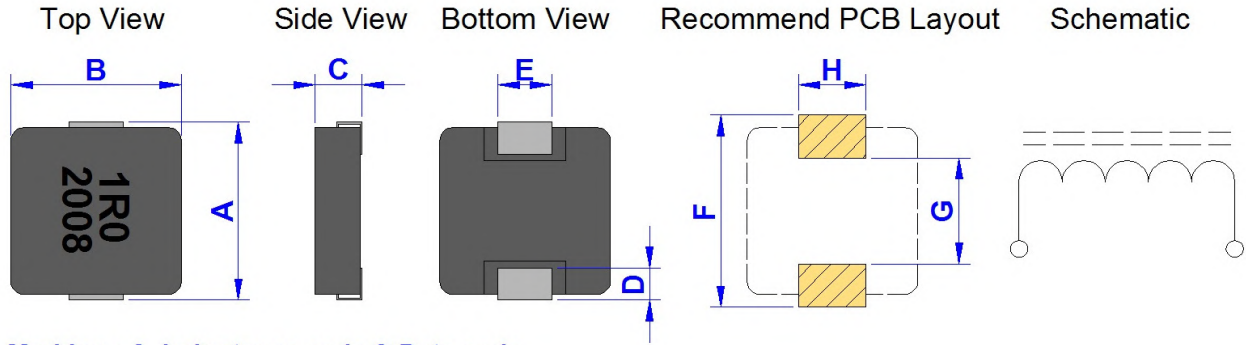
* Irms : Rated Current Loading when temperature rise approximately 40deg.C

* Isat : Saturated Current measured at the point of L drop approximately 30%

Product Series : GSTH	Brand : GOTREND
File Version : GSTH-SERIES-V1R1	Editor : Teddy Sun
Established Date : 2020.02.19	Description : High Current Inductor
Latest Edit Date : 2020.10.30	Product Type : <input checked="" type="checkbox"/> Standard <input type="checkbox"/> Customize

GSTH1040P-SERIES

Dimension [mm] :



Marking : A. Inductance code & Date code
 (1) Year ex. 2020 = 20
 (2) Weekly serial number 01 ~ 52

A	B	C	D	E	F(Ref.)	G(Ref.)	H(Ref.)
11.0+/-0.3	10.0+/-0.3	3.8+/-0.2	2.0+/-0.3	By Item	12.5	5.4	3.5

Electrical Characteristics :

Part No.	Inductance (uH)	Inductance Tolerance	DCR (m Ohm)		Isat (A)		Irms (A)		Size E (mm)
			Typ.	Max.	Typ.	Max.	Typ.	Max.	+/-0.3
GSTH1040P-R15M	0.15	M	0.5	0.6	80.0	70.0	45.0	40.0	3.0
GSTH1040P-R22M	0.22	M	0.8	1.0	75.0	65.0	40.0	37.0	3.0
GSTH1040P-R33M	0.33	M	1.0	1.2	70.0	60.0	38.0	35.0	3.0
GSTH1040P-R36M	0.36	M	1.05	1.2	60.0	52.0	36.0	33.0	3.0
GSTH1040P-R47M	0.47	M	1.3	1.5	48.0	43.0	31.0	28.0	3.0
GSTH1040P-R68M	0.68	M	2.3	2.7	45.0	40.0	24.0	22.0	2.5
GSTH1040P-1R0M	1.00	M	3.5	4.0	39.0	36.0	20.0	18.0	3.0
GSTH1040P-1R5M	1.50	M	4.7	5.3	35.0	33.0	18.0	16.0	3.0
GSTH1040P-2R2M	2.20	M	6.5	7.2	27.0	24.0	15.0	13.0	3.0
GSTH1040P-3R3M	3.30	M	10.8	11.8	22.0	19.0	14.0	11.0	3.0
GSTH1040P-4R7M	4.70	M	14.5	15.5	20.0	18.0	13.0	10.5	3.0
GSTH1040P-5R6M	5.60	M	18.0	19.3	16.0	14.0	12.0	10.0	3.0
GSTH1040P-6R8M	6.80	M	19.0	23.3	15.0	13.5	10.0	9.0	3.0
GSTH1040P-8R2M	8.20	M	20.0	22.5	13.5	12.5	9.0	8.0	3.0
GSTH1040P-100M	10.00	M	29.0	32.0	12.5	11.0	8.5	7.5	3.0
GSTH1040P-150M	15.00	M	40.0	45.0	10.0	8.0	6.3	6.0	3.0
GSTH1040P-220M	22.00	M	62.0	74.0	7.5	6.5	5.2	4.6	3.0
GSTH1040P-330M	33.00	M	94.0	112.0	6.0	5.0	4.0	3.5	3.0
GSTH1040P-470M	47.00	M	145.0	167.0	5.0	4.5	3.2	2.7	3.0

* Test Condition @100KHz , 1.0Vrms , 25deg.C Ambient

* Inductance Tolerance : M = +/-20%

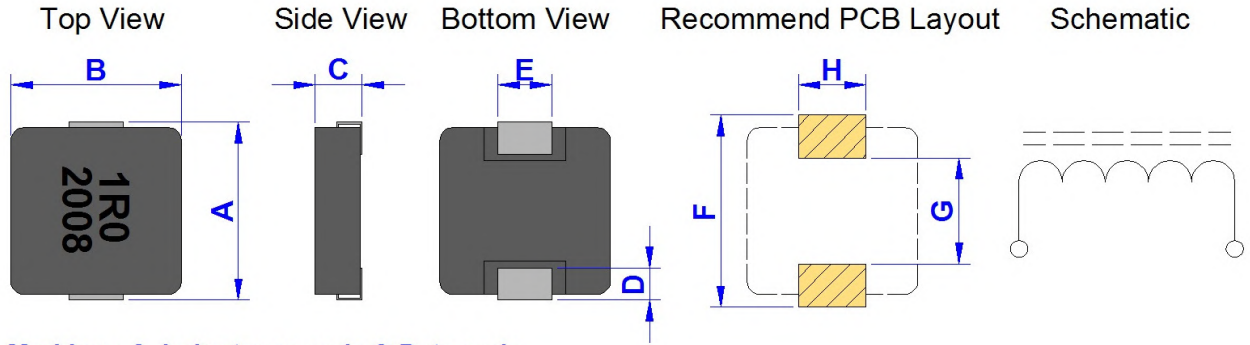
* Irms : Rated Current Loading when temperature rise approximately 40deg.C

* Isat : Saturated Current measured at the point of L drop approximately 30%

Product Series : GSTH	Brand : GOTREND
File Version : GSTH-SERIES-V1R1	Editor : Teddy Sun
Established Date : 2020.02.19	Description : High Current Inductor
Latest Edit Date : 2020.10.30	Product Type : <input checked="" type="checkbox"/> Standard <input type="checkbox"/> Customize

GSTH1250P-SERIES

Dimension [mm] :



Marking : A. Inductance code & Date code
 (1) Year ex. 2020 = 20
 (2) Weekly serial number 01 ~ 52

A	B	C	D	E	F(Ref.)	G(Ref.)	H(Ref.)
13.5+/-0.5	12.6+/-0.2	4.7+/-0.3	2.3+/-0.3	By Item	14.5	8.0	5.0

Electrical Characteristics :

Part No.	Inductance (uH)	Inductance Tolerance	DCR (m Ohm)		Isat (A)		Irms (A)		Size E (mm)
			Typ.	Max.	Typ.	Max.	Typ.	Max.	+/-0.3
GSTH1250P-R15N	0.15	N	0.36	0.41	100.0	90.0	55.0	50.0	4.7
GSTH1250P-R22M	0.22	M	0.5	0.55	95.0	85.0	48.0	42.0	4.7
GSTH1250P-R36M	0.36	M	0.75	0.83	80.0	70.0	41.0	37.0	4.7
GSTH1250P-R47M	0.47	M	0.96	1.15	65.0	60.0	38.0	35.0	4.0
GSTH1250P-R68M	0.68	M	1.4	1.6	54.0	50.0	32.0	28.0	4.0
GSTH1250P-1R0M	1.00	M	2.0	2.4	50.0	46.0	30.0	26.0	4.7
GSTH1250P-1R5M	1.50	M	3.0	3.5	48.0	44.0	27.0	23.0	4.7
GSTH1250P-2R2M	2.20	M	4.3	5.0	40.0	35.0	25.0	22.0	4.7
GSTH1250P-3R3M	3.30	M	7.3	8.4	32.0	28.0	20.0	16.0	4.7
GSTH1250P-4R7M	4.70	M	11.4	15.0	27.0	24.0	14.0	12.0	4.7
GSTH1250P-6R8M	6.80	M	14.5	16.7	23.0	20.0	12.0	10.0	4.7
GSTH1250P-8R2M	8.20	M	18.6	21.5	20.0	18.0	11.5	9.5	4.7
GSTH1250P-100M	10.00	M	21.4	25.5	17.0	15.0	11.0	9.0	4.7
GSTH1250P-150M	15.00	M	32.6	38.0	13.0	11.0	9.0	8.0	4.7
GSTH1250P-220M	22.00	M	50.0	58.0	11.0	10.0	7.5	6.5	4.7

* Test Condition @100KHz , 1.0Vrms , 25deg.C Ambient

* Inductance Tolerance : M = +/-20% , N = +/-30%

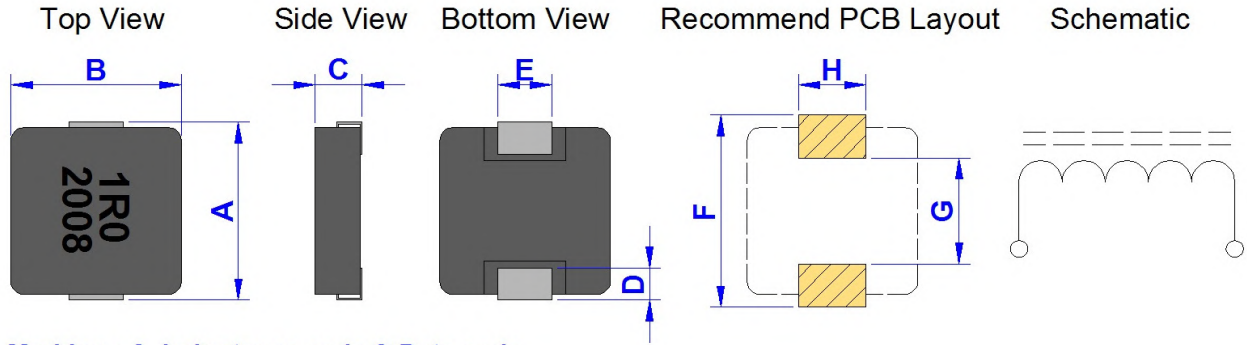
* Irms : Rated Current Loading when temperature rise approximately 40deg.C

* Isat : Saturated Current measured at the point of L drop approximately 30%

Product Series : GSTH	Brand : GOTREND
File Version : GSTH-SERIES-V1R1	Editor : Teddy Sun
Established Date : 2020.02.19	Description : High Current Inductor
Latest Edit Date : 2020.10.30	Product Type : <input checked="" type="checkbox"/> Standard <input type="checkbox"/> Customize

GSTH1265P-SERIES

Dimension [mm] :



Marking : A. Inductance code & Date code
 (1) Year ex. 2020 = 20
 (2) Weekly serial number 01 ~ 52

A	B	C	D	E	F(Ref.)	G(Ref.)	H(Ref.)
13.5+/-0.5	12.6+/-0.2	6.2+/-0.3	2.3+/-0.3	By Item	14.5	8.0	5.0

Electrical Characteristics :

Part No.	Inductance (uH)	Inductance Tolerance	DCR (m Ohm)		Isat (A)		Irms (A)		Size E (mm)
			Typ.	Max.	Typ.	Max.	Typ.	Max.	+/-0.3
GSTH1265P-R22M	0.22	M	0.47	0.6	105.0	95.0	55.0	50.0	4.7
GSTH1265P-R33M	0.33	M	0.65	0.8	70.0	64.0	50.0	45.0	4.7
GSTH1265P-R47M	0.47	M	0.9	1.2	66.0	62.0	45.0	41.0	4.7
GSTH1265P-R68M	0.68	M	1.25	1.5	58.0	54.0	41.0	37.0	4.7
GSTH1265P-1R0M	1.00	M	1.7	2.3	50.0	46.0	35.0	30.0	4.0
GSTH1265P-1R5M	1.50	M	2.3	2.8	45.0	40.0	31.0	27.0	4.7
GSTH1265P-2R2M	2.20	M	4.2	4.8	40.0	37.0	25.0	22.0	4.7
GSTH1265P-3R3M	3.30	M	5.7	6.8	35.0	31.0	22.0	18.0	4.7
GSTH1265P-4R7M	4.70	M	8.3	9.5	31.0	28.0	20.0	16.0	4.7
GSTH1265P-6R8M	6.80	M	11.5	13.2	25.0	22.0	15.0	13.0	4.7
GSTH1265P-8R2M	8.20	M	13.0	15.5	22.0	19.0	13.0	11.0	4.7
GSTH1265P-100M	10.00	M	15.6	18.0	20.0	17.0	12.0	10.0	4.7
GSTH1265P-150M	15.00	M	23.2	28.0	13.5	12.5	11.0	9.0	4.7
GSTH1265P-220M	22.00	M	32.5	37.0	12.0	10.0	10.0	8.0	4.7

* Test Condition @100KHz , 1.0Vrms , 25deg.C Ambient

* Inductance Tolerance : M = +/-20%

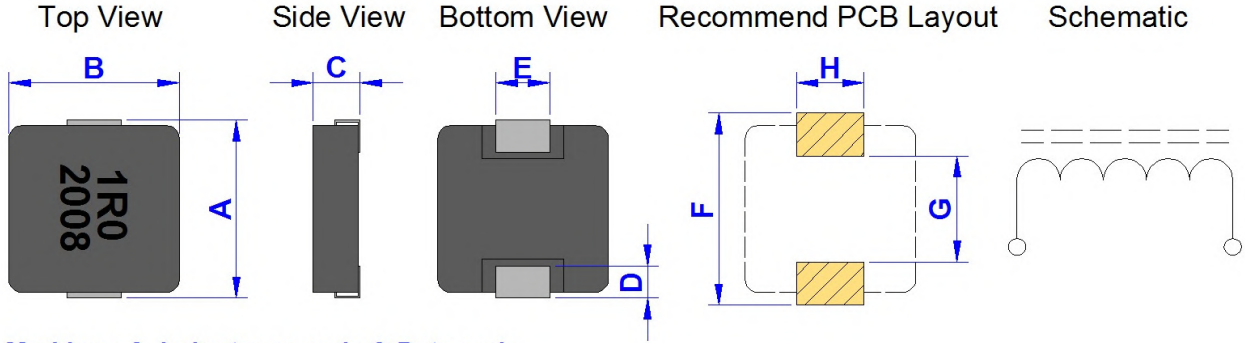
* Irms : Rated Current Loading when temperature rise approximately 40deg.C

* Isat : Saturated Current measured at the point of L drop approximately 30%

Product Series : GSTH	Brand : GOTREND
File Version : GSTH-SERIES-V1R1	Editor : Teddy Sun
Established Date : 2020.02.19	Description : High Current Inductor
Latest Edit Date : 2020.10.30	Product Type : <input checked="" type="checkbox"/> Standard <input type="checkbox"/> Customize

GSTH1585P-SERIES

Dimension [mm] :



Marking : A. Inductance code & Date code
 (1) Year ex. 2020 = 20
 (2) Weekly serial number 01 ~ 52

A	B	C	D	E	F(Ref.)	G(Ref.)	H(Ref.)
16.0+/-0.4	15.0+/-0.3	8.2+/-0.3	3.4+/-0.4	7.5+/-0.3	17.4	7.5	8.5

Electrical Characteristics :

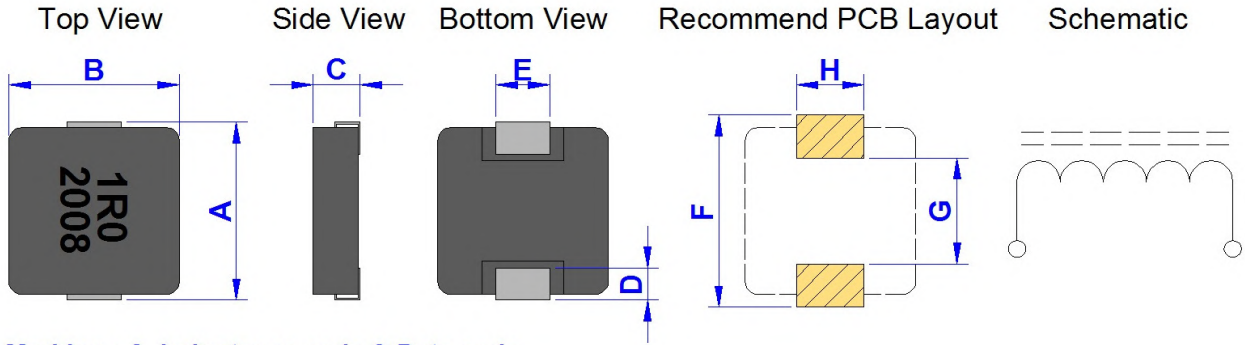
Part No.	Inductance (uH)	Inductance Tolerance	DCR (m Ohm)		Isat (A)		Irms (A)	
			Typ.	Max.	Typ.	Max.	Typ.	Max.
GSTH1585P-4R7M	4.70	M	5.1	6.0	30.0	27.0	21.0	18.0
GSTH1585P-6R8M	6.80	M	6.9	8.3	27.0	24.0	18.0	15.0
GSTH1585P-8R2M	8.20	M	9.2	11.0	24.0	21.0	15.0	13.0
GSTH1585P-100M	10.00	M	11.3	13.6	23.0	19.0	14.0	11.5
GSTH1585P-220M	22.00	M	32.0	38.4	16.0	14.0	12.5	10.5

- * Test Condition @100KHz , 1.0Vrms , 25deg.C Ambient
- * Inductance Tolerance : M = +/-20%
- * Irms : Rated Current Loading when temperature rise approximately 40deg.C
- * Isat : Saturated Current measured at the point of L drop approximately 30%

Product Series : GSTH	Brand : GOTREND
File Version : GSTH-SERIES-V1R1	Editor : Teddy Sun
Established Date : 2020.02.19	Description : High Current Inductor
Latest Edit Date : 2020.10.30	Product Type : <input checked="" type="checkbox"/> Standard <input type="checkbox"/> Customize

GSTH1770P-SERIES

Dimension [mm] :



Marking : A. Inductance code & Date code
 (1) Year ex. 2020 = 20
 (2) Weekly serial number 01 ~ 52

A	B	C	D	E	F(Ref.)	G(Ref.)	H(Ref.)
17.8+/-0.5	16.9+/-0.3	6.7+/-0.3	2.3+/-0.3	11.9+/-0.3	18.5	11.0	12.5

Electrical Characteristics :

Part No.	Inductance (uH)	Inductance Tolerance	DCR (m Ohm)		Isat (A)		Irms (A)	
			Typ.	Max.	Typ.	Max.	Typ.	Max.
GSTH1770P-R47M	0.47	M	0.75	0.83	115.0	100.0	60.0	55.0
GSTH1770P-1R0M	1.00	M	1.3	1.5	68.0	60.0	48.0	43.0
GSTH1770P-1R5M	1.50	M	1.8	2.1	55.0	48.0	42.0	37.0
GSTH1770P-2R2M	2.20	M	2.5	2.8	45.0	40.0	40.0	35.0
GSTH1770P-3R3M	3.30	M	3.5	3.9	40.0	35.0	28.0	25.0
GSTH1770P-4R7M	4.70	M	4.8	5.5	37.0	32.0	26.0	23.0
GSTH1770P-5R6M	5.60	M	5.9	6.8	35.0	31.0	24.0	21.0
GSTH1770P-6R8M	6.80	M	8.4	9.2	30.0	25.0	22.0	18.0
GSTH1770P-8R2M	8.20	M	9.6	10.8	28.0	24.0	18.0	15.0
GSTH1770P-100M	10.00	M	11.6	13.0	25.0	21.0	17.0	14.0
GSTH1770P-150M	15.00	M	16.5	19.5	23.0	20.0	14.0	12.5
GSTH1770P-180M	18.00	M	20.0	24.0	21.0	18.0	13.0	11.0
GSTH1770P-220M	22.00	M	24.0	27.6	19.0	17.0	12.0	10.0
GSTH1770P-330M	33.00	M	36.0	42.0	15.0	13.0	10.7	9.0
GSTH1770P-470M	47.00	M	46.0	53.0	13.0	11.0	8.7	7.0

* Test Condition @100KHz , 1.0Vrms , 25deg.C Ambient

* Inductance Tolerance : M = +/-20%

* I_{rms} : Rated Current Loading when temperature rise approximately 40deg.C

* I_{sat} : Saturated Current measured at the point of L drop approximately 30%

Product Series : GSTL	Brand : GOTREND
File Version : GSTL-SERIES-V1R1	Editor : Teddy Sun
Established Date : 2020.02.20	Description : High Current Inductor
Latest Edit Date : 2020.10.30	Product Type : <input checked="" type="checkbox"/> Standard <input type="checkbox"/> Customize

Features & Application :

- * High performance (Isat) realized by metal dust core.
- * Low loss realized with low DCR
- * Capable of corresponding high frequency
- * 100% lead (Pb) free meet RoHS standard
- * DC / DC converter for CPU in Notebook PC



(Picture for reference only)

Part No. Example :

PN	:	GSTL	5030	P	-	1R0	<input type="checkbox"/>
-----		-----	-----	---		-----	----
ID	:	1	2	3		4	5
1	:	GOTREND Series : GSTL					
2	:	Type Size Code : 5030 = 5.7 x 5.2 x 2.8 mm					
3	:	P = Pb free < 1000 ppm					
4	:	[L] Value : Inductance 1R0 = 1.0 uH					
5	:	[L] Tolerance : M = +/-20% , N = +/-30%					

Basic Information :

Made in	China
Pin Foot	SMD
Shielding	Yes
J-STD-020	MSL Level 1
RoHS	Compliant
REACH	Compliant
Halogen	Free

Operating & Storage Condition :

- * Operating Temp -40 ~ +125 deg.C (Including self - temperature rise)
- * Storage Temp 1. -10 ~ +45 deg.C , 50 ~ 60% RH (Product with taping)
2. -40 ~ +125 deg.C (On board)
- * Storage Life Time 12 Month (Less than 40oC and 60% RH)

Attention & Caution :

- * Keep out of Splashing water or salt water
- * Avoid Toxic Gas (Hydrogen sulfide, Sulfurous acid, Chlorine, Ammonia)
- Vibrations or shocks which exceed the specified condition
- Dew condense
- Layout near the edge of PCB
- Over flexure after SMT mounting & PCBA



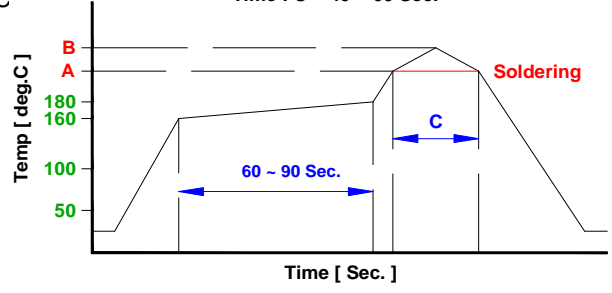
- * Pin foot or SMD pad solderability: Pb free type is best within 6 months after delivery
- * Humidity sensitive , IPC/JEDEC J-STD-020 MSL if over Level 1, recommend bake 30mins@150 degree before PCBA
- * Caution for human life relative applications : PLS contact & consult with GOTREND team in design stage.

Test Condition :

- * Equipment HP4284A , HP42841A - L , Q , DCR , IDC
HP8753D Network analyzer - SRF
- * Standard Atmosphere Conditions:
Ambient Temperature 20 ± 15 deg.C
Humidity RH 65 ± 20%
- * If there may be any doubt on the test result ,
Measurement shall be made within the following limits:
Ambient Temperature 25 ± 5 deg.C
Humidity RH 75 ± 10%

Recommend IR Reflow Curve : GTX-IR-FILE001

Lead Free Solder : A = 217 deg.C , B = 245+/-5 deg.C
Time : C = 40 ~ 60 Sec.

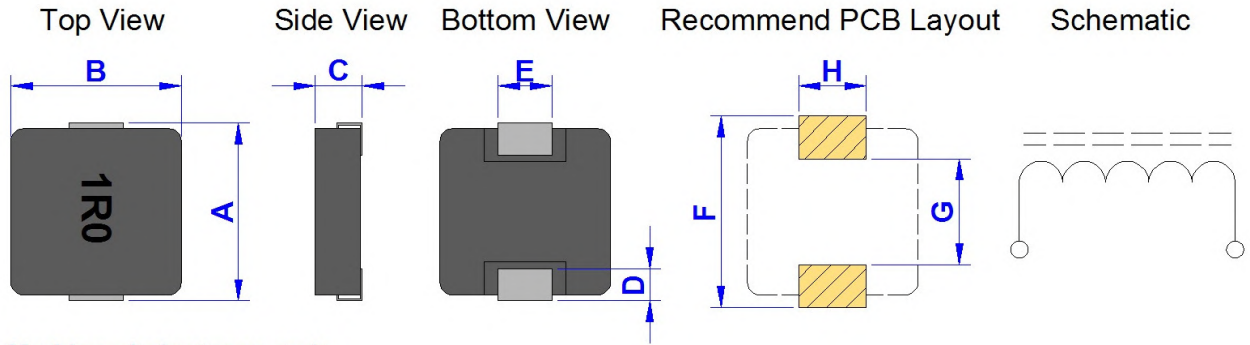


**Notice : Iron Soldering , Solder < 30 Watt ,
Direct touch the terminal x 3 Sec. Max. @ 350 deg.C**

Product Series : GSTL	Brand : GOTREND
File Version : GSTL-SERIES-V1R1	Editor : Teddy Sun
Established Date : 2020.02.20	Description : High Current Inductor
Latest Edit Date : 2020.10.30	Product Type : <input checked="" type="checkbox"/> Standard <input type="checkbox"/> Customize

GSTL4020P-SERIES

Dimension [mm] :



Marking : Inductance code

A	B	C	D	E	F(Ref.)	G(Ref.)	H(Ref.)
4.45+/-0.25	4.1+/-0.2	1.8+/-0.2	0.8+/-0.25	2.0+/-0.2	5.2	2.2	2.5

Electrical Characteristics :

Part No.	Inductance (uH)	Inductance Tolerance	DCR (m Ohm)		Isat (A)		Irms (A)	
			Typ.	Max.	Typ.	Max.	Typ.	Max.
GSTL4020P-R10M	0.10	M	2.9	3.2	26.0	22.0	16.0	14.0
GSTL4020P-R22M	0.22	M	4.8	5.5	15.0	13.0	14.0	12.5
GSTL4020P-R33M	0.33	M	7.5	8.3	10.5	9.5	12.0	11.0
GSTL4020P-R47M	0.47	M	9.5	11.0	9.0	8.0	10.0	9.0
GSTL4020P-R68M	0.68	M	11.6	13.5	7.6	6.6	9.0	8.0
GSTL4020P-R82M	0.82	M	16.3	18.8	6.0	5.5	8.0	7.0
GSTL4020P-1R0M	1.00	M	19.0	22.0	5.5	5.0	7.5	6.5
GSTL4020P-1R2M	1.20	M	21.0	25.0	5.4	4.9	7.0	6.2
GSTL4020P-1R5M	1.50	M	27.0	31.0	5.2	4.8	6.7	5.8
GSTL4020P-2R2M	2.20	M	41.0	48.0	4.5	4.0	5.5	5.0
GSTL4020P-3R3M	3.30	M	65.0	75.0	3.1	2.7	4.5	3.5
GSTL4020P-4R7M	4.70	M	84.0	95.0	2.8	2.5	3.8	3.2
GSTL4020P-5R6M	5.60	M	97.0	115.0	2.6	2.3	3.2	2.8
GSTL4020P-6R8M	6.80	M	131.0	157.0	2.4	2.1	2.9	2.5
GSTL4020P-8R2M	8.20	M	140.0	168.0	2.2	2.0	2.6	2.3
GSTL4020P-100M	10.00	M	165.0	215.0	2.1	1.9	2.4	2.2

* Test Condition @100KHz , 1.0Vrms , 25deg.C Ambient

* Inductance Tolerance : M = +/-20%

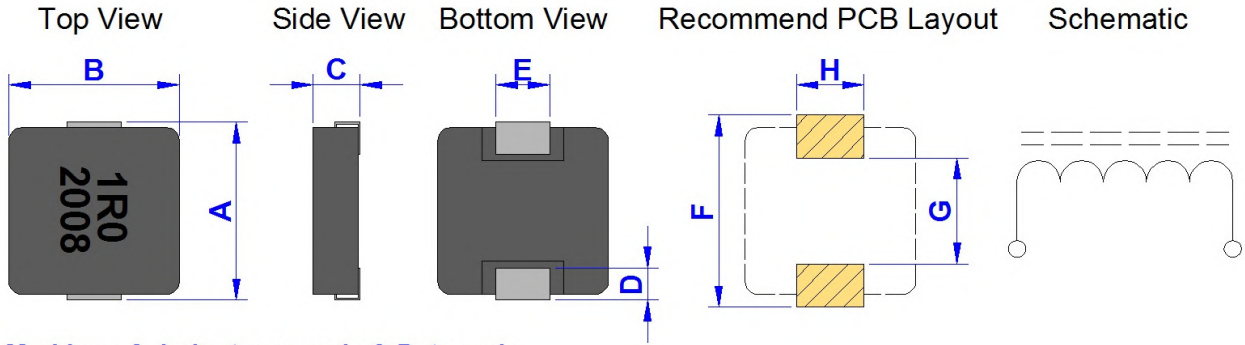
* Irms : Rated Current Loading when temperature rise approximately 40deg.C

* Isat : Saturated Current measured at the point of L drop approximately 30%

Product Series : GSTL	Brand : GOTREND
File Version : GSTL-SERIES-V1R1	Editor : Teddy Sun
Established Date : 2020.02.20	Description : High Current Inductor
Latest Edit Date : 2020.10.30	Product Type : <input checked="" type="checkbox"/> Standard <input type="checkbox"/> Customize

GSTL5020P-SERIES

Dimension [mm] :



Marking : A. Inductance code & Date code
 (1) Year ex. 2020 = 20
 (2) Weekly serial number 01 ~ 52

A	B	C	D	E	F(Ref.)	G(Ref.)	H(Ref.)
5.7+/-0.3	5.2+/-0.2	1.8+/-0.2	1.0+/-0.3	2.5+/-0.3	6.0	2.8	2.5

Electrical Characteristics :

Part No.	Inductance (uH)	Inductance Tolerance	DCR (m Ohm)		Isat (A)		Irms (A)	
			Typ.	Max.	Typ.	Max.	Typ.	Max.
GSTL5020P-R15N	0.15	N	2.8	3.2	27.0	24.0	22.0	19.0
GSTL5020P-R22M	0.22	M	3.8	4.4	20.0	17.0	16.0	14.0
GSTL5020P-R33M	0.33	M	5.2	6.0	11.0	9.0	14.0	13.0
GSTL5020P-R47M	0.47	M	6.1	7.2	9.0	8.0	13.0	11.0
GSTL5020P-R68M	0.68	M	8.0	9.2	8.0	7.0	12.0	10.0
GSTL5020P-1R0M	1.00	M	14.0	16.2	7.5	6.5	8.6	7.5
GSTL5020P-1R5M	1.50	M	22.0	26.4	7.0	6.0	7.5	6.5
GSTL5020P-2R2M	2.20	M	29.0	34.0	5.8	5.0	6.5	6.0
GSTL5020P-3R3M	3.30	M	50.0	60.0	5.0	4.7	6.0	5.0
GSTL5020P-4R7M	4.70	M	84.0	97.0	4.7	4.4	4.0	3.0
GSTL5020P-5R6M	5.60	M	91.0	109.0	4.4	4.0	3.5	2.8
GSTL5020P-6R8M	6.80	M	110.0	127.0	4.2	3.8	3.1	2.6
GSTL5020P-8R2M	8.20	M	123.0	142.0	3.9	3.4	2.9	2.5
GSTL5020P-100M	10.00	M	150.0	180.0	3.5	3.0	2.7	2.4
GSTL5020P-150M	15.00	M	224.0	252.0	2.6	2.3	2.2	1.9
GSTL5020P-220M	22.00	M	290.0	325.0	2.2	1.9	1.9	1.6

* Test Condition @100KHz , 1.0Vrms , 25deg.C Ambient

* Inductance Tolerance : M = +/-20% , N = +/-30%

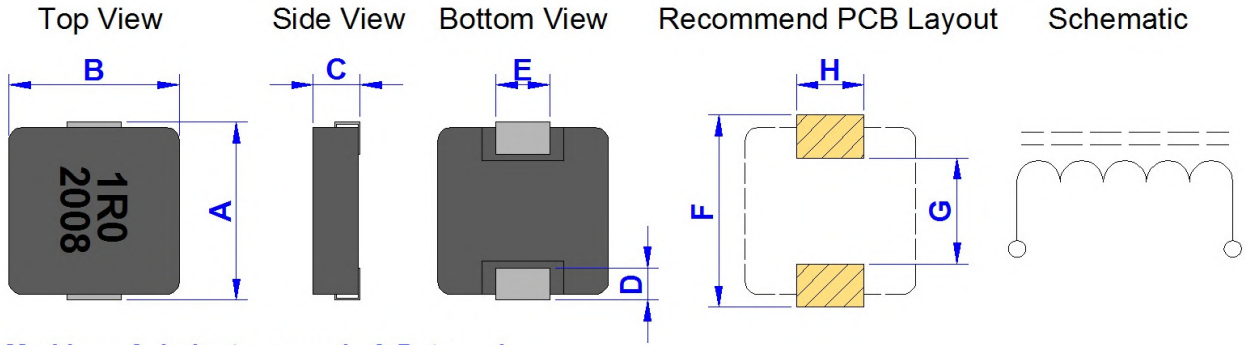
* Irms : Rated Current Loading when temperature rise approximately 40deg.C

* Isat : Saturated Current measured at the point of L drop approximately 30%

Product Series : GSTL	Brand : GOTREND
File Version : GSTL-SERIES-V1R1	Editor : Teddy Sun
Established Date : 2020.02.20	Description : High Current Inductor
Latest Edit Date : 2020.10.30	Product Type : <input checked="" type="checkbox"/> Standard <input type="checkbox"/> Customize

GSTL5030P-SERIES

Dimension [mm] :



Marking : A. Inductance code & Date code
 (1) Year ex. 2020 = 20
 (2) Weekly serial number 01 ~ 52

A	B	C	D	E	F(Ref.)	G(Ref.)	H(Ref.)
5.7+/-0.3	5.2+/-0.2	2.8+/-0.2	1.0+/-0.3	2.0+/-0.3	6.0	2.8	2.5

Electrical Characteristics :

Part No.	Inductance (uH)	Inductance Tolerance	DCR (m Ohm)		Isat (A)		Irms (A)	
			Typ.	Max.	Typ.	Max.	Typ.	Max.
GSTL5030P-R10M	0.10	M	2.0	2.2	33.0	29.0	26.0	23.0
GSTL5030P-R20M	0.20	M	2.5	2.8	24.0	21.0	18.0	16.0
GSTL5030P-R33M	0.33	M	4.5	5.4	12.0	10.0	16.0	14.0
GSTL5030P-R36M	0.36	M	4.7	5.6	11.0	9.5	15.0	13.5
GSTL5030P-R47M	0.47	M	5.2	6.0	10.0	9.0	13.5	12.0
GSTL5030P-R68M	0.68	M	7.4	8.5	9.0	8.0	12.5	11.0
GSTL5030P-R82M	0.82	M	8.0	9.2	8.8	7.7	10.0	9.0
GSTL5030P-1R0M	1.00	M	10.5	12.0	8.5	7.5	9.0	8.0
GSTL5030P-1R5M	1.50	M	13.6	15.7	7.5	6.5	8.0	7.0
GSTL5030P-2R2M	2.20	M	21.6	25.0	6.5	5.8	7.0	6.5
GSTL5030P-3R3M	3.30	M	28.0	33.0	6.0	5.3	6.3	5.8
GSTL5030P-4R7M	4.70	M	38.0	44.0	5.3	4.6	5.5	4.8
GSTL5030P-5R6M	5.60	M	50.0	58.0	4.6	4.0	5.0	4.3
GSTL5030P-6R8M	6.80	M	57.0	66.0	3.5	3.1	4.3	3.7
GSTL5030P-100M	10.00	M	88.0	103.0	2.5	2.1	3.8	3.4
GSTL5030P-150M	15.00	M	140.0	170.0	2.2	1.7	2.9	2.5
GSTL5030P-220M	22.00	M	190.0	228.0	2.0	1.7	2.4	2.0

* Test Condition @100KHz , 1.0Vrms , 25deg.C Ambient

* Inductance Tolerance : M = +/-20%

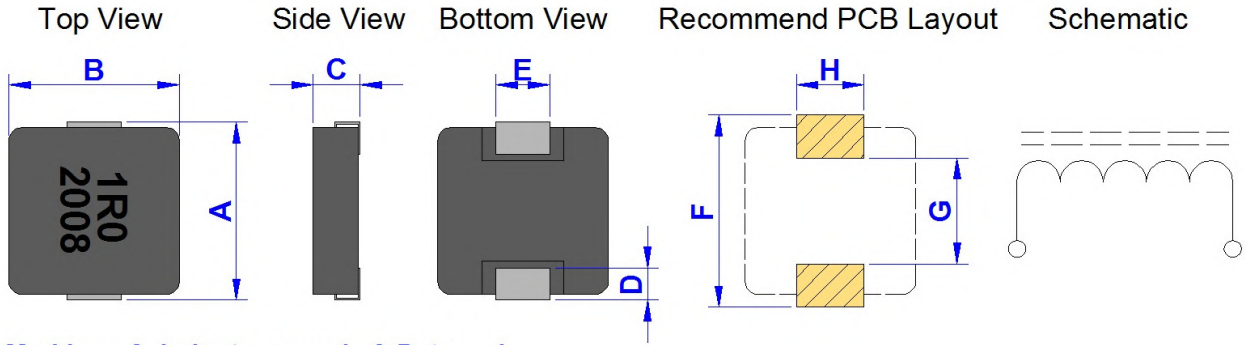
* Irms : Rated Current Loading when temperature rise approximately 40deg.C

* Isat : Saturated Current measured at the point of L drop approximately 30%

Product Series : GSTL	Brand : GOTREND
File Version : GSTL-SERIES-V1R1	Editor : Teddy Sun
Established Date : 2020.02.20	Description : High Current Inductor
Latest Edit Date : 2020.10.30	Product Type : <input checked="" type="checkbox"/> Standard <input type="checkbox"/> Customize

GSTL6020P-SERIES

Dimension [mm] :



Marking : A. Inductance code & Date code
 (1) Year ex. 2020 = 20
 (2) Weekly serial number 01 ~ 52

A	B	C	D	E	F(Ref.)	G(Ref.)	H(Ref.)
7.1+/-0.3	6.6+/-0.2	1.8+/-0.2	1.6+/-0.3	3.0+/-0.2	8.0	3.7	3.4

Electrical Characteristics :

Part No.	Inductance (uH)	Inductance Tolerance	DCR (m Ohm)		Isat (A)		Irms (A)	
			Typ.	Max.	Typ.	Max.	Typ.	Max.
GSTL6020P-R47M	0.47	M	5.6	6.3	18.0	16.0	15.0	13.0
GSTL6020P-R68M	0.68	M	7.8	8.8	14.0	12.0	13.0	11.0
GSTL6020P-1R0M	1.00	M	13.5	15.5	12.5	10.5	11.0	9.5
GSTL6020P-1R5M	1.50	M	19.5	22.5	11.5	9.8	9.5	8.0
GSTL6020P-2R2M	2.20	M	25.6	29.5	10.0	9.0	8.0	7.0
GSTL6020P-3R3M	3.30	M	41.5	48.0	7.5	6.0	6.8	5.2
GSTL6020P-4R7M	4.70	M	48.0	57.0	6.0	5.0	5.5	4.5
GSTL6020P-5R6M	5.60	M	56.0	66.0	5.0	4.0	5.0	4.0
GSTL6020P-6R8M	6.80	M	60.0	70.0	4.3	3.6	4.5	3.8
GSTL6020P-100M	10.00	M	118.0	140.0	3.4	3.0	3.4	3.0

* Test Condition @100KHz , 1.0Vrms , 25deg.C Ambient

* Inductance Tolerance : M = +/-20%

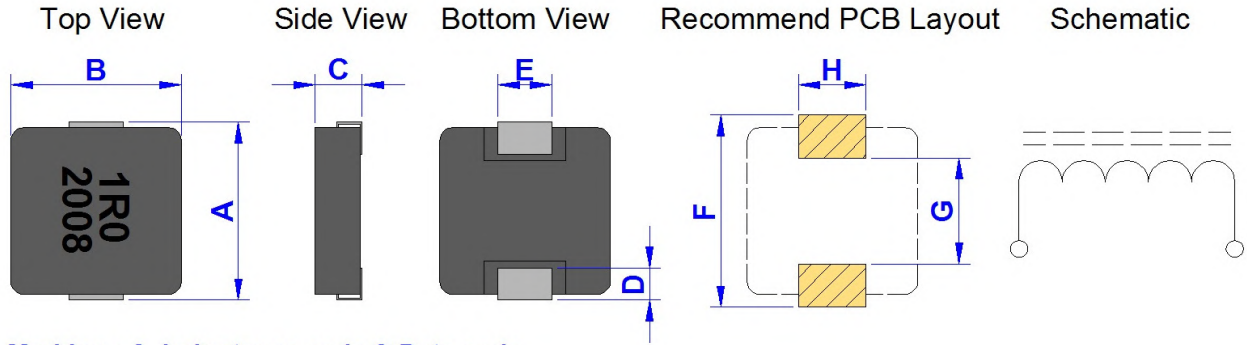
* Irms : Rated Current Loading when temperature rise approximately 40deg.C

* Isat : Saturated Current measured at the point of L drop approximately 30%

Product Series : GSTL	Brand : GOTREND
File Version : GSTL-SERIES-V1R1	Editor : Teddy Sun
Established Date : 2020.02.20	Description : High Current Inductor
Latest Edit Date : 2020.10.30	Product Type : <input checked="" type="checkbox"/> Standard <input type="checkbox"/> Customize

GSTL6024P-SERIES

Dimension [mm] :



Marking : A. Inductance code & Date code
 (1) Year ex. 2020 = 20
 (2) Weekly serial number 01 ~ 52

A	B	C	D	E	F(Ref.)	G(Ref.)	H(Ref.)
7.1+/-0.3	6.7+/-0.2	2.2+/-0.2	1.6+/-0.3	3.0+/-0.2	8.0	3.7	3.4

Electrical Characteristics :

Part No.	Inductance (uH)	Inductance Tolerance	DCR (m Ohm)		Isat (A)		Irms (A)	
			Typ.	Max.	Typ.	Max.	Typ.	Max.
GSTL6024P-R10N	0.10	N	1.2	1.35	70.0	60.0	30.0	25.0
GSTL6024P-R12N	0.12	N	1.3	1.6	50.0	40.0	29.0	25.0
GSTL6024P-R15N	0.15	N	1.5	1.8	41.0	34.0	32.0	30.0
GSTL6024P-R22M	0.22	M	2.2	2.53	34.0	28.0	26.0	23.0
GSTL6024P-R33M	0.33	M	3.2	3.52	27.0	24.0	24.0	21.0
GSTL6024P-R36M	0.36	M	3.4	3.8	25.0	22.0	23.0	20.0
GSTL6024P-R45M	0.45	M	4.0	4.4	22.0	18.0	20.0	17.0
GSTL6024P-R47M	0.47	M	4.4	5.06	22.0	18.0	19.0	16.0
GSTL6024P-R68M	0.68	M	5.2	6.0	17.0	15.0	17.0	14.0
GSTL6024P-R82M	0.82	M	7.3	8.1	16.0	14.0	16.0	13.0
GSTL6024P-1R0M	1.00	M	10.0	11.8	15.0	13.0	13.0	11.0
GSTL6024P-1R5M	1.50	M	13.5	16.0	14.0	12.0	11.0	9.0
GSTL6024P-2R2M	2.20	M	18.5	23.0	10.0	9.0	9.5	8.0
GSTL6024P-3R3M	3.30	M	31.0	38.0	8.5	7.0	8.0	6.0
GSTL6024P-4R7M	4.70	M	38.0	46.0	7.0	6.0	6.5	5.5
GSTL6024P-5R6M	5.60	M	47.0	56.4	6.2	5.7	6.0	5.0
GSTL6024P-6R8M	6.80	M	58.0	67.0	6.0	5.6	4.5	4.0
GSTL6024P-100M	10.00	M	81.0	93.0	4.6	4.2	3.7	3.4

* Test Condition @100KHz , 1.0Vrms , 25deg.C Ambient

* Inductance Tolerance : M = +/-20% , N = +/-30%

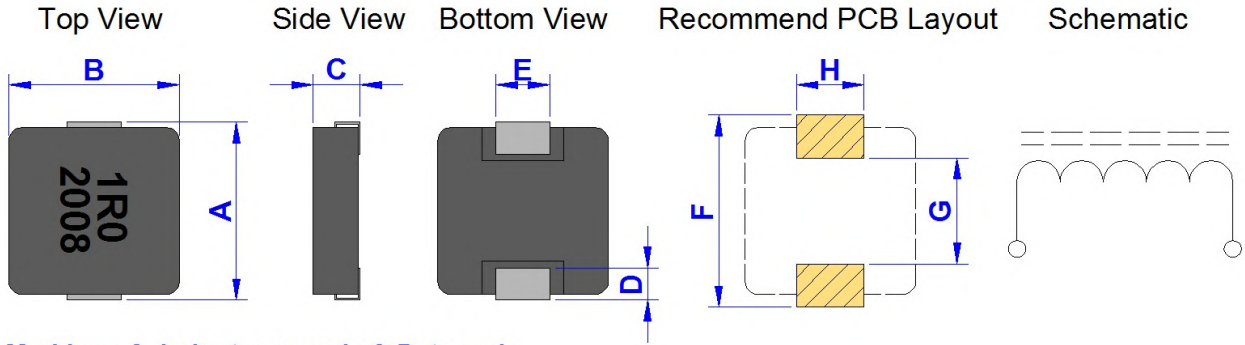
* Irms : Rated Current Loading when temperature rise approximately 40deg.C

* Isat : Saturated Current measured at the point of L drop approximately 30%

Product Series : GSTL	Brand : GOTREND
File Version : GSTL-SERIES-V1R1	Editor : Teddy Sun
Established Date : 2020.02.20	Description : High Current Inductor
Latest Edit Date : 2020.10.30	Product Type : <input checked="" type="checkbox"/> Standard <input type="checkbox"/> Customize

GSTL6030P-SERIES

Dimension [mm] :



Marking : A. Inductance code & Date code
 (1) Year ex. 2020 = 20
 (2) Weekly serial number 01 ~ 52

A	B	C	D	E	F(Ref.)	G(Ref.)	H(Ref.)
7.1+/-0.3	6.6+/-0.2	2.8+/-0.2	1.6+/-0.3	3.0+/-0.2	8.0	3.7	3.4

Electrical Characteristics :

Part No.	Inductance (uH)	Inductance Tolerance	DCR (m Ohm)		Isat (A)		Irms (A)	
			Typ.	Max.	Typ.	Max.	Typ.	Max.
GSTL6030P-R10N	0.10	N	1.1	1.3	45.0	40.0	35.0	30.0
GSTL6030P-R15N	0.15	N	1.7	2.1	40.0	36.0	30.0	25.0
GSTL6030P-R22M	0.22	M	2.0	2.5	34.0	32.0	23.0	21.0
GSTL6030P-R24M	0.24	M	2.2	2.7	28.0	24.0	22.5	20.5
GSTL6030P-R33M	0.33	M	2.8	3.4	25.0	22.0	21.0	20.0
GSTL6030P-R36M	0.36	M	3.3	3.9	24.0	21.0	20.0	18.0
GSTL6030P-R47M	0.47	M	3.4	4.0	20.0	18.0	18.0	16.0
GSTL6030P-R56M	0.56	M	3.9	4.5	18.0	16.0	16.5	15.0
GSTL6030P-R68M	0.68	M	4.7	5.3	17.0	15.0	16.0	14.5
GSTL6030P-R82M	0.82	M	5.4	6.0	16.0	14.0	14.0	13.0
GSTL6030P-1R0M	1.00	M	6.7	7.4	15.0	13.5	12.0	11.0
GSTL6030P-1R2M	1.20	M	7.7	9.5	14.0	12.5	10.0	9.5
GSTL6030P-1R5M	1.50	M	10.2	12.1	14.0	12.0	10.0	9.0
GSTL6030P-1R8M	1.80	M	10.9	13.0	12.0	10.0	9.0	8.0
GSTL6030P-2R2M	2.20	M	13.5	15.0	10.0	9.0	8.0	7.5
GSTL6030P-2R7M	2.70	M	17.3	20.0	9.8	8.8	7.2	7.0
GSTL6030P-3R3M	3.30	M	19.0	22.0	9.5	8.5	6.5	6.0
GSTL6030P-4R7M	4.70	M	28.0	33.0	6.5	5.5	5.5	5.0
GSTL6030P-5R6M	5.60	M	39.0	42.0	6.0	5.2	5.5	5.0
GSTL6030P-6R8M	6.80	M	43.0	50.0	6.0	5.0	4.5	4.2
GSTL6030P-8R2M	8.20	M	54.0	60.0	6.0	4.7	4.5	4.0
GSTL6030P-100M	10.00	M	62.0	68.0	5.5	4.5	4.0	3.5
GSTL6030P-150M	15.00	M	110.0	140.0	4.5	4.0	3.0	2.5
GSTL6030P-220M	22.00	M	150.0	190.0	3.0	2.5	2.5	2.0
GSTL6030P-330M	33.00	M	215.0	258.0	2.5	2.0	2.1	1.8
GSTL6030P-470M	47.00	M	250.0	300.0	1.8	1.6	1.9	1.6

* Test Condition @100KHz , 1.0Vrms , 25deg.C Ambient

* Inductance Tolerance : M = +/-20% , N = +/-30%

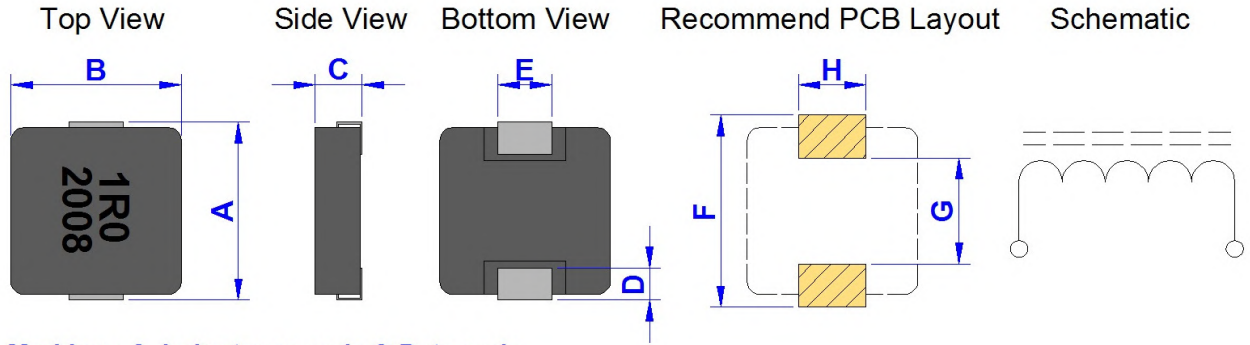
* Irms : Rated Current Loading when temperature rise approximately 40deg.C

* Isat : Saturated Current measured at the point of L drop approximately 30%

Product Series : GSTL	Brand : GOTREND
File Version : GSTL-SERIES-V1R1	Editor : Teddy Sun
Established Date : 2020.02.20	Description : High Current Inductor
Latest Edit Date : 2020.10.30	Product Type : <input checked="" type="checkbox"/> Standard <input type="checkbox"/> Customize

GSTL6040P-SERIES

Dimension [mm] :



Marking : A. Inductance code & Date code
 (1) Year ex. 2020 = 20
 (2) Weekly serial number 01 ~ 52

A	B	C	D	E	F(Ref.)	G(Ref.)	H(Ref.)
7.1+/-0.3	6.6+/-0.2	3.8+/-0.2	1.6+/-0.3	2.8+/-0.2	8.0	3.7	3.4

Electrical Characteristics :

Part No.	Inductance (uH)	Inductance Tolerance	DCR (m Ohm)		Isat (A)		Irms (A)	
			Typ.	Max.	Typ.	Max.	Typ.	Max.
GSTL6040P-R33M	0.33	M	2.2	2.5	28.0	25.0	25.0	23.0
GSTL6040P-R45M	0.45	M	2.8	3.2	21.0	18.0	20.0	18.0
GSTL6040P-R56M	0.56	M	3.4	3.7	20.0	17.0	19.0	16.0
GSTL6040P-1R0M	1.00	M	5.6	6.2	15.0	13.5	15.0	13.0

* Test Condition @100KHz , 1.0Vrms , 25deg.C Ambient

* Inductance Tolerance : M = +/-20%

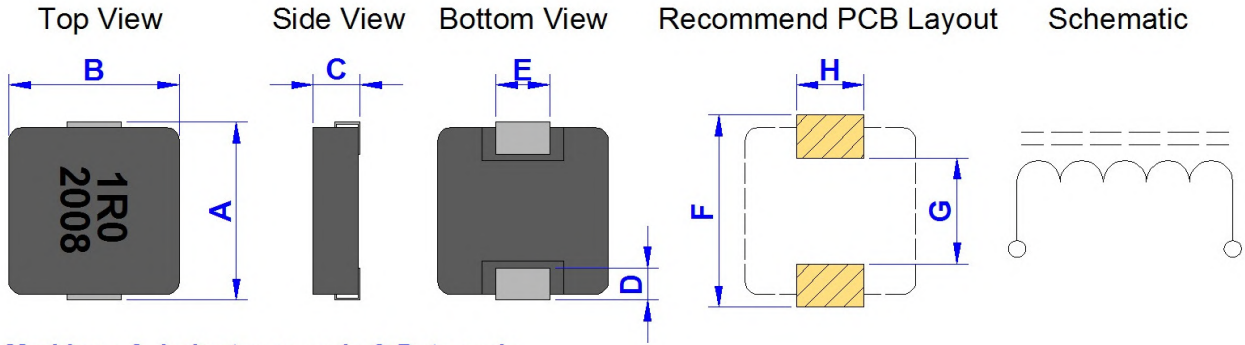
* Irms : Rated Current Loading when temperature rise approximately 40deg.C

* Isat : Saturated Current measured at the point of L drop approximately 30%

Product Series : GSTL	Brand : GOTREND
File Version : GSTL-SERIES-V1R1	Editor : Teddy Sun
Established Date : 2020.02.20	Description : High Current Inductor
Latest Edit Date : 2020.10.30	Product Type : <input checked="" type="checkbox"/> Standard <input type="checkbox"/> Customize

GSTL6050P-SERIES

Dimension [mm] :



Marking : A. Inductance code & Date code
 (1) Year ex. 2020 = 20
 (2) Weekly serial number 01 ~ 52

A	B	C	D	E	F(Ref.)	G(Ref.)	H(Ref.)
7.3+/-0.3	6.6+/-0.3	4.8+/-0.2	1.6+/-0.3	3.0+/-0.2	8.0	3.7	3.4

Electrical Characteristics :

Part No.	Inductance (uH)	Inductance Tolerance	DCR (m Ohm)		Isat (A)		Irms (A)	
			Typ.	Max.	Typ.	Max.	Typ.	Max.
GSTL6050P-R47M	0.47	M	2.9	3.3	22.0	20.0	22.0	20.0
GSTL6050P-R56M	0.56	M	3.4	3.9	21.0	18.0	21.0	19.0
GSTL6050P-R68M	0.68	M	3.6	4.1	20.0	17.0	20.0	18.0
GSTL6050P-1R0M	1.00	M	5.6	6.2	16.0	13.0	17.0	15.0
GSTL6050P-1R5M	1.50	M	6.6	7.3	13.0	10.5	15.0	13.0
GSTL6050P-1R8M	1.80	M	7.6	9.0	11.0	9.0	14.5	12.5
GSTL6050P-2R2M	2.20	M	10.0	11.5	10.0	8.5	14.0	12.0
GSTL6050P-3R3M	3.30	M	14.0	16.2	9.5	8.0	13.0	11.0
GSTL6050P-4R7M	4.70	M	20.8	24.0	8.8	7.5	11.0	9.5
GSTL6050P-5R6M	5.60	M	28.0	33.0	8.0	7.2	10.0	8.5
GSTL6050P-6R8M	6.80	M	30.0	36.0	7.6	7.0	9.0	8.0
GSTL6050P-8R2M	8.20	M	38.5	45.0	6.5	6.0	7.5	6.5
GSTL6050P-100M	10.00	M	44.0	53.0	6.0	5.7	7.0	6.0
GSTL6050P-150M	15.00	M	73.0	85.0	4.0	3.2	5.0	4.0
GSTL6050P-220M	22.00	M	122.0	142.0	3.6	3.1	4.2	3.6
GSTL6050P-330M	33.00	M	142.0	170.0	2.3	1.8	3.0	2.5
GSTL6050P-470M	47.00	M	275.0	320.0	1.8	1.5	2.6	2.0

* Test Condition @100KHz , 1.0Vrms , 25deg.C Ambient

* Inductance Tolerance : M = +/-20%

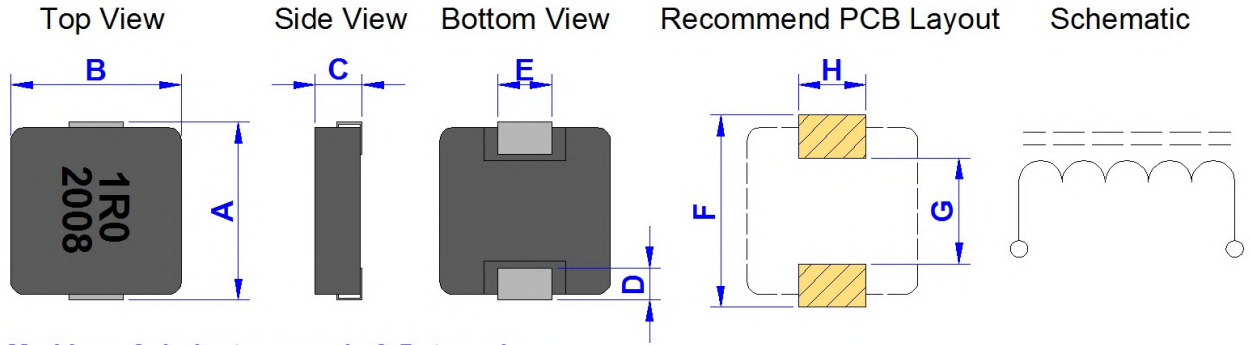
* Irms : Rated Current Loading when temperature rise approximately 40deg.C

* Isat : Saturated Current measured at the point of L drop approximately 30%

Product Series : GSTL	Brand : GOTREND
File Version : GSTL-SERIES-V1R1	Editor : Teddy Sun
Established Date : 2020.02.20	Description : High Current Inductor
Latest Edit Date : 2020.10.30	Product Type : <input checked="" type="checkbox"/> Standard <input type="checkbox"/> Customize

GSTL1040P-SERIES

Dimension [mm] :



Marking : A. Inductance code & Date code
(1) Year ex. 2020 = 20
(2) Weekly serial number 01 ~ 52

A	B	C	D	E	F(Ref.)	G(Ref.)	H(Ref.)
11.0+/-0.5	10.0+/-0.3	3.8+/-0.2	2.0+/-0.3	By Item	12.5	5.4	3.5

Electrical Characteristics :

Part No.	Inductance (uH)	Inductance Tolerance	DCR (m Ohm)		Isat (A)		Irms (A)		Size E (mm)
			Typ.	Max.	Typ.	Max.	Typ.	Max.	+/-0.3
GSTL1040P-R15N	0.15	N	0.5	0.6	82.0	75.0	44.0	38.0	3.0
GSTL1040P-R22M	0.22	M	0.72	0.83	70.0	60.0	36.0	33.0	3.0
GSTL1040P-R36M	0.36	M	1.05	1.18	51.0	45.0	33.0	29.0	3.0
GSTL1040P-R42M	0.42	M	1.15	1.3	50.0	42.0	32.5	28.5	3.0
GSTL1040P-R47M	0.47	M	1.3	1.5	46.0	40.0	32.0	28.0	3.0
GSTL1040P-R56M	0.56	M	1.6	1.8	34.0	29.0	25.0	23.0	2.5
GSTL1040P-R68M	0.68	M	1.9	2.2	31.0	28.0	23.0	20.0	2.5
GSTL1040P-1R0M	1.00	M	2.9	3.25	29.0	26.0	20.0	18.0	2.5
GSTL1040P-1R5M	1.50	M	3.7	4.2	26.0	22.0	17.5	16.0	2.5
GSTL1040P-1R8M	1.80	M	5.1	5.7	23.0	20.5	16.5	15.0	3.0
GSTL1040P-2R2M	2.20	M	5.8	6.7	20.0	16.0	15.0	13.0	3.0
GSTL1040P-3R3M	3.30	M	10.5	11.8	17.5	14.0	11.0	10.0	3.0
GSTL1040P-4R7M	4.70	M	15.8	19.0	15.2	13.0	8.8	8.0	3.0
GSTL1040P-5R6M	5.60	M	19.0	22.8	14.1	11.5	8.0	7.2	3.0
GSTL1040P-6R8M	6.80	M	22.0	24.5	12.2	11.0	7.8	6.8	3.0
GSTL1040P-8R2M	8.20	M	25.0	28.0	9.5	8.5	7.6	6.5	3.0
GSTL1040P-100M	10.00	M	27.0	30.0	8.6	7.5	7.5	6.1	3.0
GSTL1040P-150M	15.00	M	41.0	45.0	7.0	6.0	6.25	5.0	3.0
GSTL1040P-220M	22.00	M	58.0	66.0	6.2	5.5	5.0	4.1	3.0
GSTL1040P-330M	33.00	M	84.0	91.0	5.5	5.0	4.4	3.5	3.0
GSTL1040P-470M	47.00	M	125.0	143.0	4.0	3.7	3.5	3.0	3.0
GSTL1040P-680M	68.00	M	184.0	210.0	3.2	3.0	2.6	2.4	3.0
GSTL1040P-820M	82.00	M	240.0	270.0	3.0	2.8	2.3	2.1	3.0
GSTL1040P-101M	100.00	M	270.0	310.0	2.7	2.4	2.0	1.8	3.0

* Test Condition @100KHz , 1.0Vrms , 25deg.C Ambient

* Inductance Tolerance : M = +/-20% , N = +/-30%

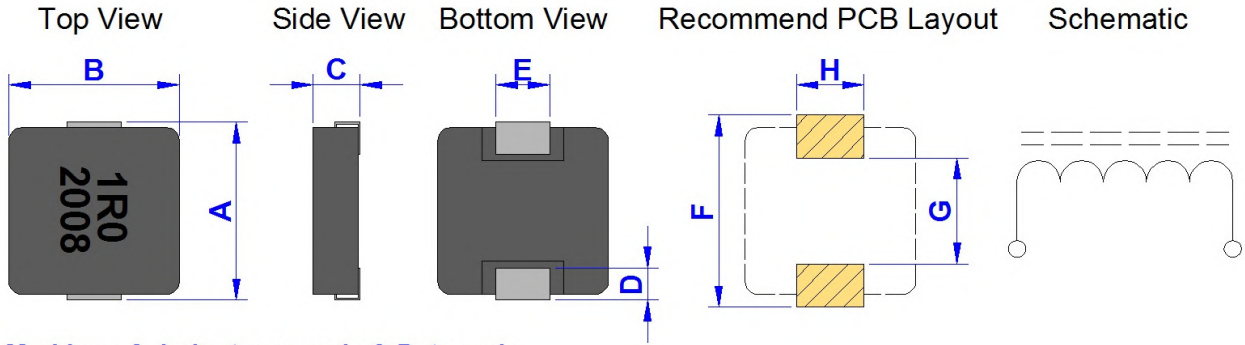
* Irms : Rated Current Loading when temperature rise approximately 40deg.C

* Isat : Saturated Current measured at the point of L drop approximately 30%

Product Series : GSTL	Brand : GOTREND
File Version : GSTL-SERIES-V1R1	Editor : Teddy Sun
Established Date : 2020.02.20	Description : High Current Inductor
Latest Edit Date : 2020.10.30	Product Type : <input checked="" type="checkbox"/> Standard <input type="checkbox"/> Customize

GSTL1050P-SERIES

Dimension [mm] :



Marking : A. Inductance code & Date code
 (1) Year ex. 2020 = 20
 (2) Weekly serial number 01 ~ 52

A	B	C	D	E	F(Ref.)	G(Ref.)	H(Ref.)
11.0+/-0.5	10.0+/-0.3	4.8+/-0.2	2.0+/-0.3	By Item	12.5	5.4	3.5

Electrical Characteristics :

Part No.	Inductance (uH)	Inductance Tolerance	DCR (m Ohm)		Isat (A)		Irms (A)		Size E (mm)
			Typ.	Max.	Typ.	Max.	Typ.	Max.	+/-0.3
GSTL1050P-R36M	0.36	M	0.82	0.92	52.0	46.0	34.0	30.0	3.0
GSTL1050P-R47M	0.47	M	1.15	1.32	46.0	40.0	33.0	29.0	3.0
GSTL1050P-R68M	0.68	M	1.6	1.9	35.0	32.0	28.0	25.0	2.5
GSTL1050P-1R0M	1.00	M	2.6	3.0	33.0	30.0	25.0	23.0	2.5
GSTL1050P-1R5M	1.50	M	3.4	3.8	27.0	24.0	23.0	21.0	2.5
GSTL1050P-2R2M	2.20	M	5.1	5.6	20.0	18.0	19.5	17.5	3.0
GSTL1050P-3R3M	3.30	M	8.1	9.1	17.5	15.5	17.0	15.0	3.0
GSTL1050P-4R7M	4.70	M	9.3	10.5	16.0	14.0	15.0	13.0	3.0
GSTL1050P-5R6M	5.60	M	12.8	14.4	15.0	12.5	13.0	11.0	3.0
GSTL1050P-6R8M	6.80	M	15.0	17.3	14.0	12.0	12.0	10.0	3.0
GSTL1050P-100M	10.00	M	18.9	21.8	13.0	11.0	7.6	7.2	3.0
GSTL1050P-220M	22.00	M	44.0	54.0	6.0	5.5	6.0	5.5	3.0
GSTL1050P-330M	33.00	M	74.0	86.0	5.8	5.2	5.5	5.0	3.0
GSTL1050P-470M	47.00	M	106.0	127.0	4.0	3.5	4.5	4.0	3.0
GSTL1050P-101M	100.00	M	242.0	290.0	2.8	2.4	2.2	2.0	3.0

* Test Condition @100KHz , 1.0Vrms , 25deg.C Ambient

* Inductance Tolerance : M = +/-20%

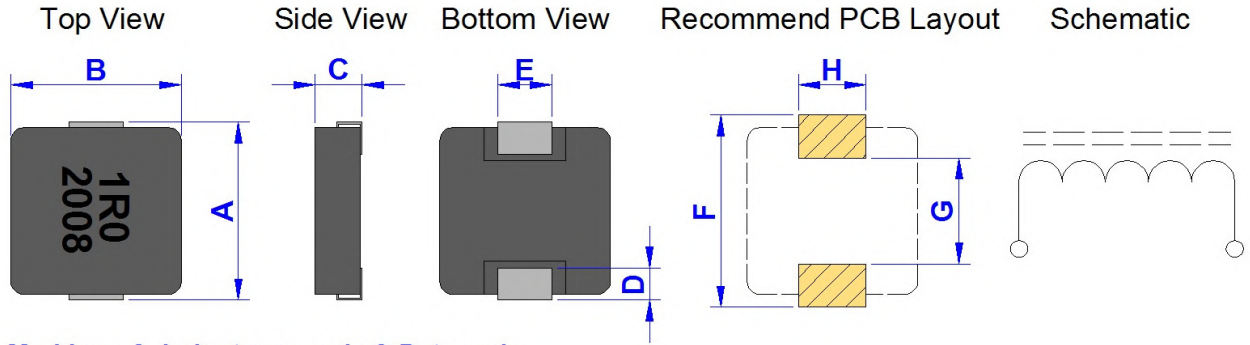
* Irms : Rated Current Loading when temperature rise approximately 40deg.C

* Isat : Saturated Current measured at the point of L drop approximately 30%

Product Series : GSTL	Brand : GOTREND
File Version : GSTL-SERIES-V1R1	Editor : Teddy Sun
Established Date : 2020.02.20	Description : High Current Inductor
Latest Edit Date : 2020.10.30	Product Type : <input checked="" type="checkbox"/> Standard <input type="checkbox"/> Customize

GSTL1250P-SERIES

Dimension [mm] :



Marking : A. Inductance code & Date code
(1) Year ex. 2020 = 20
(2) Weekly serial number 01 ~ 52

A	B	C	D	E	F(Ref.)	G(Ref.)	H(Ref.)
13.5+/-0.5	12.6+/-0.2	4.7+/-0.3	2.3+/-0.3	By Item	14.5	8.0	5.0

Electrical Characteristics :

Part No.	Inductance (uH)	Inductance Tolerance	DCR (m Ohm)		Isat (A)		Irms (A)		Size E (mm)
			Typ.	Max.	Typ.	Max.	Typ.	Max.	+/-0.3
GSTL1250P-R22M	0.22	M	0.5	0.61	65.0	60.0	52.0	50.0	4.0
GSTL1250P-R33M	0.33	M	0.65	0.8	65.0	59.0	42.0	37.0	4.0
GSTL1250P-R47M	0.47	M	0.77	0.9	65.0	58.0	38.0	34.0	4.0
GSTL1250P-R56M	0.56	M	1.1	1.3	57.0	50.0	36.0	32.5	4.0
GSTL1250P-R68M	0.68	M	1.3	1.55	50.0	42.0	34.0	31.0	4.0
GSTL1250P-1R0M	1.00	M	1.6	1.9	40.0	34.0	30.0	27.0	4.0
GSTL1250P-1R5M	1.50	M	3.2	3.8	31.0	28.0	25.0	22.0	4.7
GSTL1250P-2R2M	2.20	M	4.1	4.8	26.0	23.0	17.0	15.5	4.7
GSTL1250P-3R3M	3.30	M	6.0	7.0	23.0	20.5	15.5	14.0	4.7
GSTL1250P-4R7M	4.70	M	8.8	10.2	18.5	16.0	14.0	12.5	4.7
GSTL1250P-6R8M	6.80	M	13.0	16.0	16.5	15.0	12.0	11.0	4.7
GSTL1250P-100M	10.00	M	19.2	22.0	13.0	10.5	10.0	9.0	4.7
GSTL1250P-150M	15.00	M	30.0	36.0	11.0	9.2	9.4	8.2	4.7
GSTL1250P-220M	22.00	M	42.0	52.0	8.5	7.5	8.0	7.0	4.7
GSTL1250P-330M	33.00	M	66.0	80.0	7.3	6.5	6.0	5.2	4.7
GSTL1250P-470M	47.00	M	78.0	94.0	6.0	5.2	5.2	4.3	4.7
GSTL1250P-680M	68.00	M	110.0	132.0	5.0	4.4	4.3	3.6	4.7

* Test Condition @100KHz , 1.0Vrms , 25deg.C Ambient

* Inductance Tolerance : M = +/-20%

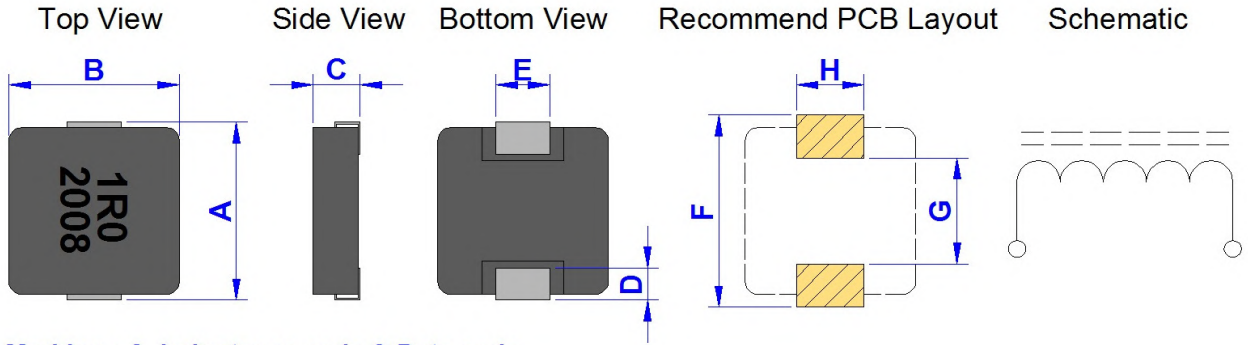
* Irms : Rated Current Loading when temperature rise approximately 40deg.C

* Isat : Saturated Current measured at the point of L drop approximately 30%

Product Series : GSTL	Brand : GOTREND
File Version : GSTL-SERIES-V1R1	Editor : Teddy Sun
Established Date : 2020.02.20	Description : High Current Inductor
Latest Edit Date : 2020.10.30	Product Type : <input checked="" type="checkbox"/> Standard <input type="checkbox"/> Customize

GSTL1260P-SERIES

Dimension [mm] :



Marking : A. Inductance code & Date code
(1) Year ex. 2020 = 20
(2) Weekly serial number 01 ~ 52

A	B	C	D	E	F(Ref.)	G(Ref.)	H(Ref.)
13.5+/-0.5	12.6+/-0.2	5.7+/-0.3	2.3+/-0.3	By Item	14.5	8.0	5.0

Electrical Characteristics :

Part No.	Inductance (uH)	Inductance Tolerance	DCR (m Ohm)		Isat (A)		Irms (A)		Size E (mm)
			Typ.	Max.	Typ.	Max.	Typ.	Max.	+/-0.3
GSTL1260P-R36M	0.36	M	0.65	0.8	70.0	60.0	60.0	50.0	4.7
GSTL1260P-1R0M	1.0	M	1.7	2.0	34.0	29.0	30.0	26.0	4.0
GSTL1260P-1R5M	1.5	M	2.4	3.0	32.0	27.0	28.0	24.0	4.0
GSTL1260P-2R2M	2.2	M	3.7	4.3	28.0	24.0	25.0	21.0	4.7
GSTL1260P-4R7M	4.7	M	7.0	8.4	23.0	19.5	19.0	16.0	4.7
GSTL1260P-5R6M	5.6	M	9.0	10.8	19.0	17.0	16.0	14.0	4.7
GSTL1260P-8R2M	8.2	M	13.5	16.0	17.0	15.5	13.5	12.0	4.7
GSTL1260P-100M	10.0	M	15.5	18.6	16.0	14.5	12.0	10.5	4.7
GSTL1260P-150M	15.0	M	24.0	29.0	10.0	9.0	10.0	8.5	4.7
GSTL1260P-220M	22.0	M	31.2	37.5	9.0	8.0	8.0	7.0	4.7
GSTL1260P-330M	33.0	M	56.0	68.0	7.8	6.7	6.5	5.5	4.7
GSTL1260P-470M	47.0	M	76.0	88.0	6.7	5.5	5.2	4.5	4.7
GSTL1260P-560M	56.0	M	90.0	108.0	6.3	5.3	4.9	4.1	4.7
GSTL1260P-680M	68.0	M	103.0	124.0	5.8	5.0	4.5	3.7	4.7
GSTL1260P-101M	100.0	M	162.0	195.0	5.0	4.0	3.2	2.8	4.7
GSTL1260P-151M	150.0	M	270.0	325.0	4.1	3.2	2.6	2.2	4.7

* Test Condition @100KHz , 1.0Vrms , 25deg.C Ambient

* Inductance Tolerance : M = +/-20%

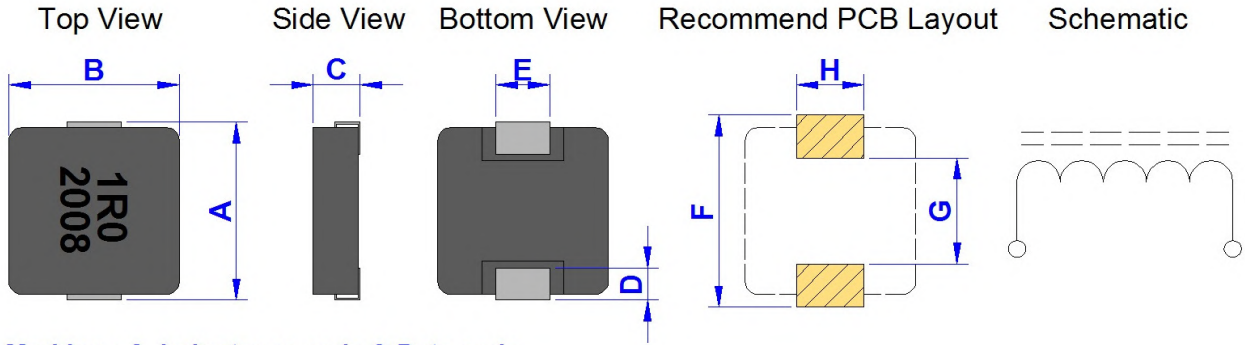
* Irms : Rated Current Loading when temperature rise approximately 40deg.C

* Isat : Saturated Current measured at the point of L drop approximately 30%

Product Series : GSTL	Brand : GOTREND
File Version : GSTL-SERIES-V1R1	Editor : Teddy Sun
Established Date : 2020.02.20	Description : High Current Inductor
Latest Edit Date : 2020.10.30	Product Type : <input checked="" type="checkbox"/> Standard <input type="checkbox"/> Customize

GSTL1265P-SERIES

Dimension [mm] :



Marking : A. Inductance code & Date code
(1) Year ex. 2020 = 20
(2) Weekly serial number 01 ~ 52

A	B	C	D	E	F(Ref.)	G(Ref.)	H(Ref.)
13.5+/-0.5	12.6+/-0.2	6.2+/-0.3	2.3+/-0.3	By Item	14.5	8.0	5.0

Electrical Characteristics :

Part No.	Inductance (uH)	Inductance Tolerance	DCR (m Ohm)		Isat (A)		Irms (A)		Size E (mm)
			Typ.	Max.	Typ.	Max.	Typ.	Max.	+/-0.3
GSTL1265P-R10N	0.10	N	0.2	0.25	120.0	115.0	65.0	60.0	4.7
GSTL1265P-R22M	0.22	M	0.4	0.46	112.0	105.0	53.0	42.0	4.7
GSTL1265P-R33M	0.33	M	0.6	0.7	75.0	65.0	46.0	36.0	4.7
GSTL1265P-R47M	0.47	M	0.88	1.02	68.0	58.0	42.0	35.0	4.7
GSTL1265P-R56M	0.56	M	1.1	1.3	57.0	50.0	37.0	33.5	4.0
GSTL1265P-R68M	0.68	M	1.25	1.5	55.0	46.0	36.5	33.0	4.0
GSTL1265P-R82M	0.82	M	1.3	1.65	48.0	39.0	35.0	31.0	4.0
GSTL1265P-1R0M	1.00	M	1.5	1.8	45.0	36.0	33.0	29.0	4.0
GSTL1265P-1R5M	1.50	M	2.2	2.53	35.0	30.0	29.0	25.0	4.0
GSTL1265P-2R2M	2.20	M	3.7	4.2	28.5	24.0	25.0	21.0	4.7
GSTL1265P-3R3M	3.30	M	5.3	6.2	27.0	22.5	22.0	19.0	4.7
GSTL1265P-4R7M	4.70	M	6.8	8.0	25.0	21.0	20.0	17.0	4.7
GSTL1265P-5R6M	5.60	M	8.3	9.8	23.0	19.5	18.0	15.0	4.7
GSTL1265P-6R8M	6.80	M	9.8	11.3	21.0	18.0	16.5	14.0	4.7
GSTL1265P-8R2M	8.20	M	12.0	13.8	19.0	17.0	15.0	12.5	4.7
GSTL1265P-100M	10.00	M	13.0	15.8	17.0	15.0	13.0	11.0	4.7
GSTL1265P-220M	22.00	M	31.0	35.0	10.0	9.0	10.0	8.0	4.7
GSTL1265P-330M	33.00	M	46.0	55.0	9.0	8.0	9.0	6.5	4.7
GSTL1265P-470M	47.00	M	58.0	67.0	7.6	6.8	8.0	5.7	4.7
GSTL1265P-680M	68.00	M	82.0	100.0	6.0	5.0	5.8	4.8	4.7
GSTL1265P-820M	82.00	M	110.0	132.0	5.0	4.2	5.0	4.0	4.7

* Test Condition @100KHz , 1.0Vrms , 25deg.C Ambient

* Inductance Tolerance : M = +/-20% , N = +/-30%

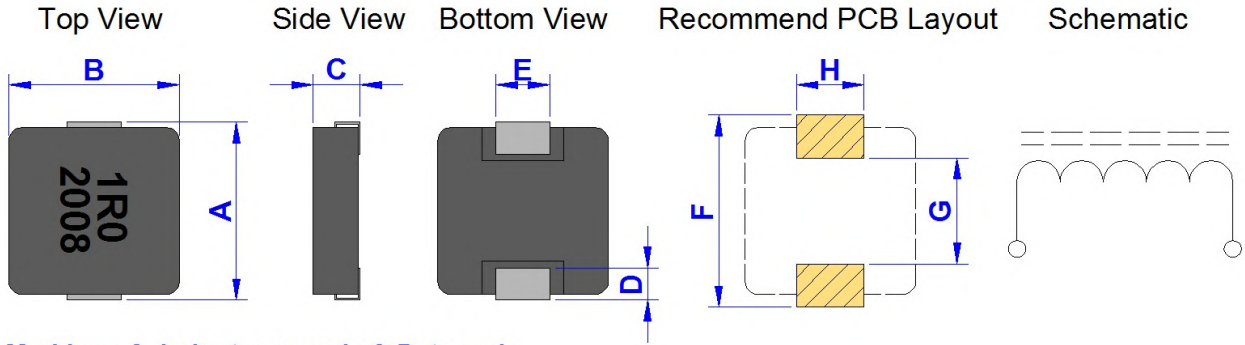
* Irms : Rated Current Loading when temperature rise approximately 40deg.C

* Isat : Saturated Current measured at the point of L drop approximately 30%

Product Series : GSTL	Brand : GOTREND
File Version : GSTL-SERIES-V1R1	Editor : Teddy Sun
Established Date : 2020.02.20	Description : High Current Inductor
Latest Edit Date : 2020.10.30	Product Type : <input checked="" type="checkbox"/> Standard <input type="checkbox"/> Customize

GSTL1770P-SERIES

Dimension [mm] :



Marking : A. Inductance code & Date code
 (1) Year ex. 2020 = 20
 (2) Weekly serial number 01 ~ 52

A	B	C	D	E	F(Ref.)	G(Ref.)	H(Ref.)
17.8+/-0.5	16.9+/-0.3	6.7+/-0.3	2.3+/-0.3	11.9+/-0.3	18.5	12.0	12.5

Electrical Characteristics :

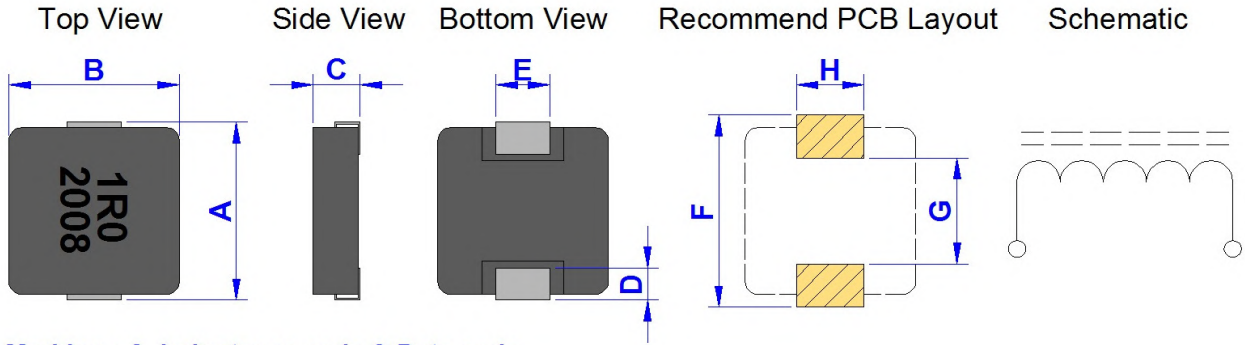
Part No.	Inductance (uH)	Inductance Tolerance	DCR (m Ohm)		Isat (A)		Irms (A)	
			Typ.	Max.	Typ.	Max.	Typ.	Max.
GSTL1770P-R47M	0.47	M	0.7	0.9	110.0	100.0	60.0	55.0
GSTL1770P-R56M	0.56	M	0.81	0.97	80.0	70.0	56.0	50.0
GSTL1770P-1R0M	1.00	M	1.06	1.3	50.0	45.0	46.0	42.0
GSTL1770P-1R5M	1.50	M	1.5	1.8	46.0	40.0	39.0	35.0
GSTL1770P-1R8M	1.80	M	1.7	2.0	40.0	34.0	35.0	32.0
GSTL1770P-2R0M	2.00	M	1.75	2.1	37.0	33.0	33.0	31.0
GSTL1770P-2R2M	2.20	M	1.8	2.2	35.0	32.0	32.0	30.0
GSTL1770P-3R3M	3.30	M	2.7	3.3	32.0	29.0	30.0	28.0
GSTL1770P-4R7M	4.70	M	3.7	4.5	29.0	26.0	28.0	26.0
GSTL1770P-6R8M	6.80	M	6.0	7.2	25.0	22.0	24.0	22.0
GSTL1770P-100M	10.00	M	9.2	10.6	22.0	19.0	21.0	19.0
GSTL1770P-150M	15.00	M	12.8	15.5	16.0	14.0	16.0	14.0
GSTL1770P-220M	22.00	M	20.5	24.0	13.5	11.5	13.5	11.5
GSTL1770P-330M	33.00	M	32.0	37.0	12.0	10.0	12.0	10.0
GSTL1770P-470M	47.00	M	40.0	47.0	9.5	8.0	9.5	8.0
GSTL1770P-680M	68.00	M	66.0	76.0	8.5	7.2	8.0	6.5
GSTL1770P-820M	82.00	M	69.0	83.0	8.0	6.5	6.5	5.7
GSTL1770P-101M	100.00	M	90.0	105.0	6.5	5.5	6.0	5.0

- * Test Condition @100KHz , 1.0Vrms , 25deg.C Ambient
- * Inductance Tolerance : M = +/-20%
- * Irms : Rated Current Loading when temperature rise approximately 40deg.C
- * Isat : Saturated Current measured at the point of L drop approximately 30%

Product Series : GSTL	Brand : GOTREND
File Version : GSTL-SERIES-V1R1	Editor : Teddy Sun
Established Date : 2020.02.20	Description : High Current Inductor
Latest Edit Date : 2020.10.30	Product Type : <input checked="" type="checkbox"/> Standard <input type="checkbox"/> Customize

GSTL2313P-SERIES

Dimension [mm] :



Marking : A. Inductance code & Date code
 (1) Year ex. 2020 = 20
 (2) Weekly serial number 01 ~ 52

A	B	C	D	E	F(Ref.)	G(Ref.)	H(Ref.)
23.5+/-0.5	22.0+/-0.3	12.6+/-0.4	5.0+/-0.4	19.0+/-0.3	24.0	12.5	19.6

Electrical Characteristics :

Part No.	Inductance (uH)	Inductance Tolerance	DCR (m Ohm)		Isat (A)		Irms (A)	
			Typ.	Max.	Typ.	Max.	Typ.	Max.
GSTL2313P-1R5M	1.5	M	1.0	1.15	52.0	48.0	62.0	57.0
GSTL2313P-2R0M	2.0	M	1.02	1.2	50.0	45.0	60.0	54.0
GSTL2313P-2R2M	2.2	M	1.05	1.25	48.0	43.0	58.0	52.0
GSTL2313P-3R0M	3.0	M	1.42	1.64	44.0	39.0	51.0	48.0
GSTL2313P-3R3M	3.3	M	1.5	1.75	41.0	37.0	49.0	47.0
GSTL2313P-4R7M	4.7	M	1.9	2.2	38.0	34.0	47.0	44.0
GSTL2313P-6R8M	6.8	M	2.7	3.1	36.0	32.0	40.0	36.0
GSTL2313P-100M	10.0	M	3.8	4.15	28.0	20.0	33.0	30.0
GSTL2313P-150M	15.0	M	5.1	6.12	23.0	18.0	26.0	23.0
GSTL2313P-220M	22.0	M	9.2	11.0	15.0	14.0	22.0	18.0
GSTL2313P-230M	23.0	M	9.2	11.0	15.0	14.0	22.0	18.0
GSTL2313P-330M	33.0	M	13.5	15.4	12.0	10.5	19.0	16.0
GSTL2313P-470M	47.0	M	17.3	20.8	12.0	10.0	17.0	14.0
GSTL2313P-680M	68.0	M	26.2	29.5	12.0	9.0	14.0	12.0
GSTL2313P-750M	75.0	M	27.5	31.6	10.5	8.5	13.0	11.0
GSTL2313P-820M	82.0	M	31.0	34.2	9.0	7.7	12.0	10.0
GSTL2313P-101M	100.0	M	36.0	40.0	9.0	7.5	11.0	9.5

* Test Condition @100KHz , 1.0Vrms , 25deg.C Ambient

* Inductance Tolerance : M = +/-20%

* Irms : Rated Current Loading when temperature rise approximately 40deg.C

* Isat : Saturated Current measured at the point of L drop approximately 30%

Product Series : GSTM	Brand : GOTREND
File Version : GSTM-SERIES-V3R2	Editor : Teddy Sun
Established Date : 2012.09.26	Description : High Current Inductor
Latest Edit Date : 2020.10.30	Product Type : <input checked="" type="checkbox"/> Standard <input type="checkbox"/> Customize

Features & Application :

- * Carbonyl Powder.
- * Compact design.
- * High current , low DCR , high efficiency.
- * Very low acoustic noise and very low leakage flux noise.
- * High reliability.
- * 100% Lead (Pb) - Free and RoHS compliant.
- * Note PC power system , incl. IMVP-6 , DC / DC converter.



(Picture for reference only)

Part No. Example :

PN	:	GRTM	3012	P	-	1R0	<input type="checkbox"/>
-----		-----	-----	---		-----	----
ID	:	1	2	3		4	5
1	:	GOTREND Series : GSTM					
2	:	Type Size Code : 3012 = 3.5 x 3.2 x 1.2 mm					
3	:	P = Pb free < 1000 ppm					
4	:	[L] Value : Inductance 1R0 = 1.0 uH					
5	:	[L] Tolerance : M = +/-20% ; N = +/-30%					

Basic Information :

Made in	China
Pin Foot	SMD
Shielding	Yes
J-STD-020	MSL Level 1
RoHS	Compliant
REACH	Compliant
Halogen	Free

Operating & Storage Condition :

- * Operating Temp -40 ~ +125 deg.C (Including self - temperature rise)
- * Storage Temp 1. -10 ~ +45 deg.C , 50 ~ 60% RH (Product with taping)
2. -40 ~ +125 deg.C (On board)
- * Storage Life Time 12 Month (Less than 40 deg.C and 60% RH)

Attention & Caution :

- * Keep out of Splashing water or salt water
- * Avoid Toxic Gas (Hydrogen sulfide, Sulfurous acid, Chlorine, Ammonia)
- Vibrations or shocks which exceed the specified condition
- Dew condense
- Layout near the edge of PCB
- Over flexure after SMT mounting & PCBA



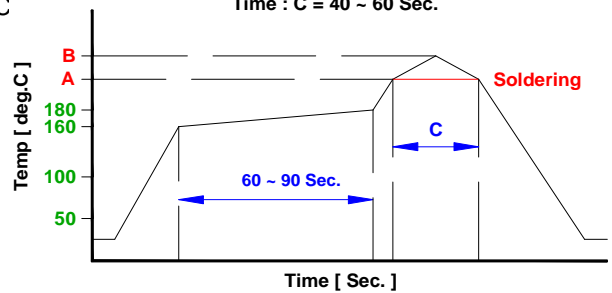
- * Pin foot or SMD pad solderability: Pb free type is best within 6 months after delivery
- * Humidity sensitive , IPC/JEDEC J-STD-020 MSL if over Level 1, recommend bake 30mins@150 degree before PCBA
- * Caution for human life relative applications : PLS contact & consult with GOTREND team in design stage.

Test Condition :

- * Equipment HP4284A , HP42841A - L , Q , DCR , IDC
HP8753D Network analyzer - SRF
- * Standard Atmosphere Conditions:
Ambient Temperature 20 ± 15 deg.C
Humidity RH 65 ± 20%
- * If there may be any doubt on the test result ,
Measurement shall be made within the following limits:
Ambient Temperature 25 ± 5 deg.C
Humidity RH 75 ± 10%

Recommend IR Reflow Curve : GTX-IR-FILE001

Lead Free Solder : A = 217 deg.C , B = 245+/-5 deg.C
Time : C = 40 ~ 60 Sec.

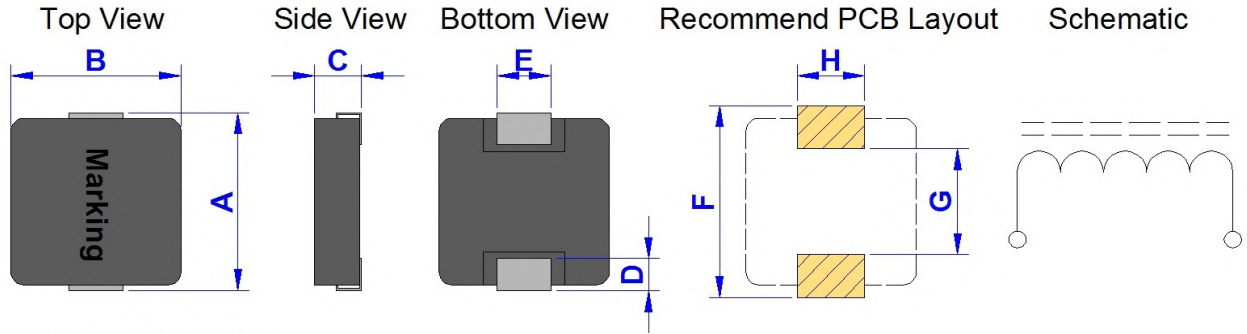


**Notice : Iron Soldering , Solder < 30 Watt ,
Direct touch the terminal x 3 Sec. Max. @ 350 deg.C**

Product Series : GSTM	Brand : GOTREND
File Version : GSTM-SERIES-V3R2	Editor : Teddy Sun
Established Date : 2012.09.26	Description : High Current Inductor
Latest Edit Date : 2020.10.30	Product Type : <input checked="" type="checkbox"/> Standard <input type="checkbox"/> Customize

GSTM3012P-SERIES

Dimension [mm] :



Marking : Inductance

A	B	C	D	E	F(Ref.)	G(Ref.)	H(Ref.)
3.5+/-0.2	3.2+/-0.2	1.0+/-0.2	0.7+/-0.2	1.2+/-0.2	4.1	1.9	1.45

Electrical Characteristics :

Part No.	Inductance (uH)	Inductance Tolerance	RDC (m Ohm) Typ.	RDC (m Ohm) Max.	Isat (Amp) Typ.	Irms (Amp) Typ.
GSTM3012P-R47□	0.47	M	25.0	30.0	7.2	5.0
GSTM3012P-R68□	0.68	M	34.0	40.0	6.1	4.0
GSTM3012P-1R0□	1.00	M	50.0	60.0	5.5	3.0
GSTM3012P-1R5□	1.50	M	71.0	85.0	4.0	3.3
GSTM3012P-2R2□	2.20	M	98.0	115.0	3.4	3.0
GSTM3012P-3R3□	3.30	M	191.0	210.0	3.1	2.0
GSTM3012P-4R7□	4.70	M	266.0	293.0	2.8	1.6
GSTM3012P-6R8□	6.80	M	360.0	400.0	2.0	1.4
GSTM3012P-8R2□	8.20	M	420.0	463.0	1.7	1.2
GSTM3012P-100□	10.00	M	498.0	550.0	1.4	1.0

* Test Condition @100KHz , 1.0Vrms , 25deg.C Ambient

* Inductance Tolerance : M = +/-20%

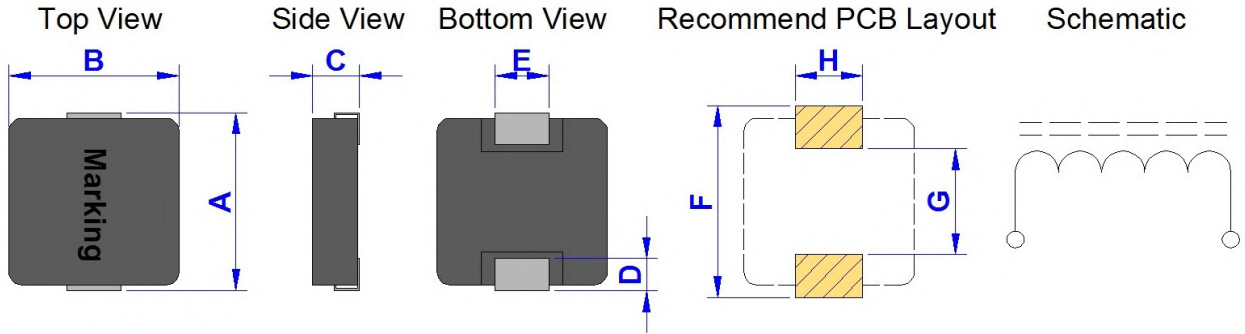
* I_{rms} : Rated Current Loading when temperature rise approximately 40deg.C

* I_{sat} : Saturated Current measured at the point of L drop approximately 30%

Product Series : GSTM	Brand : GOTREND
File Version : GSTM-SERIES-V3R2	Editor : Teddy Sun
Established Date : 2012.09.26	Description : High Current Inductor
Latest Edit Date : 2020.10.30	Product Type : <input checked="" type="checkbox"/> Standard <input type="checkbox"/> Customize

GSTM3020P-SERIES

Dimension [mm] :



Marking : Inductance

A	B	C	D	E	F(Ref.)	G(Ref.)	H(Ref.)
3.5+/-0.2	3.2+/-0.2	1.8+/-0.2	0.7+/-0.2	1.2+/-0.2	4.1	1.9	1.45

Electrical Characteristics :

Part No.	Inductance (uH)	Inductance Tolerance	RDC (m Ohm) Typ.	RDC (m Ohm) Max.	Isat (Amp) Typ.	Irms (Amp) Typ.
GSTM3020P-R47□	0.47	M	19.7	23.0	9.0	7.0
GSTM3020P-R68□	0.68	M	25.5	29.0	7.0	5.5
GSTM3020P-1R0□	1.00	M	32.0	38.0	5.0	4.0
GSTM3020P-1R2□	1.20	M	39.0	47.0	4.5	3.9
GSTM3020P-1R5□	1.50	M	42.0	50.0	4.0	3.8
GSTM3020P-2R2□	2.20	M	65.0	75.0	3.7	3.5
GSTM3020P-3R3□	3.30	M	125.0	145.0	3.5	3.0
GSTM3020P-4R7□	4.70	M	172.0	200.0	3.0	2.6
GSTM3020P-5R6□	5.60	M	205.0	238.0	2.6	2.2
GSTM3020P-6R8□	6.80	M	260.0	300.0	2.2	1.9
GSTM3020P-8R2□	8.20	M	340.0	390.0	1.9	1.6
GSTM3020P-100□	10.00	M	366.0	422.0	1.6	1.4

* Test Condition @100KHz , 1.0Vrms , 25deg.C Ambient

* Inductance Tolerance : M = +/-20%

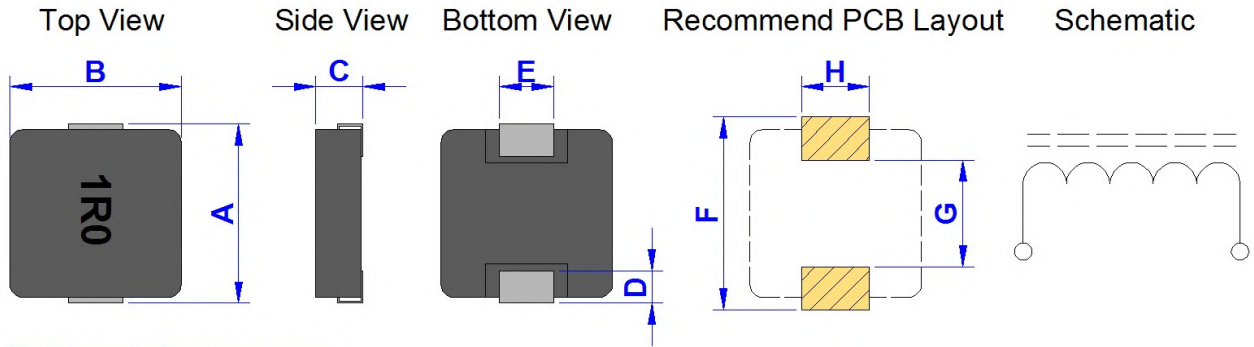
* I_{rms} : Rated Current Loading when temperature rise approximately 40deg.C

* I_{sat} : Saturated Current measured at the point of L drop approximately 30%

Product Series : GSTM	Brand : GOTREND
File Version : GSTM-SERIES-V3R2	Editor : Teddy Sun
Established Date : 2012.09.26	Description : High Current Inductor
Latest Edit Date : 2020.10.30	Product Type : <input checked="" type="checkbox"/> Standard <input type="checkbox"/> Customize

GSTM4012P-SERIES

Dimension [mm] :



Marking : Inductance code

A	B	C	D	E	F(Ref.)	G(Ref.)	H(Ref.)
4.45+/-0.25	4.06+/-0.25	1.0+/-0.2	0.76+/-0.3	2.0+/-0.2	5.2	2.2	2.4

Electrical Characteristics :

Part No.	Inductance (uH)	Inductance Tolerance	RDC (m Ohm) Typ.	RDC (m Ohm) Max.	Isat (Amp) Typ.	Irms (Amp) Typ.
GSTM4012P-R10□	0.10	N	4.3	5.5	25.0	11.5
GSTM4012P-R22□	0.22	M	6.6	8.0	20.0	8.5
GSTM4012P-R47□	0.47	M	18.0	20.0	6.5	6.0
GSTM4012P-1R0□	1.00	M	41.0	47.0	6.0	4.0
GSTM4012P-1R5□	1.50	M	55.0	63.3	4.0	3.0
GSTM4012P-2R2□	2.20	M	69.2	80.0	3.5	2.8
GSTM4012P-3R3□	3.30	M	84.0	97.0	3.0	2.3
GSTM4012P-4R7□	4.70	M	128.0	145.0	2.5	2.0
GSTM4012P-5R6□	5.60	M	180.0	208.0	2.3	1.7
GSTM4012P-6R8□	6.80	M	300.0	360.0	1.7	1.5
GSTM4012P-8R2□	8.20	M	313.0	376.0	1.6	1.4
GSTM4012P-100□	10.00	M	410.0	463.0	1.4	1.3

* Test Condition @100KHz , 1.0Vrms , 25deg.C Ambient

* Inductance Tolerance : M = +/-20% , N = +/-30%

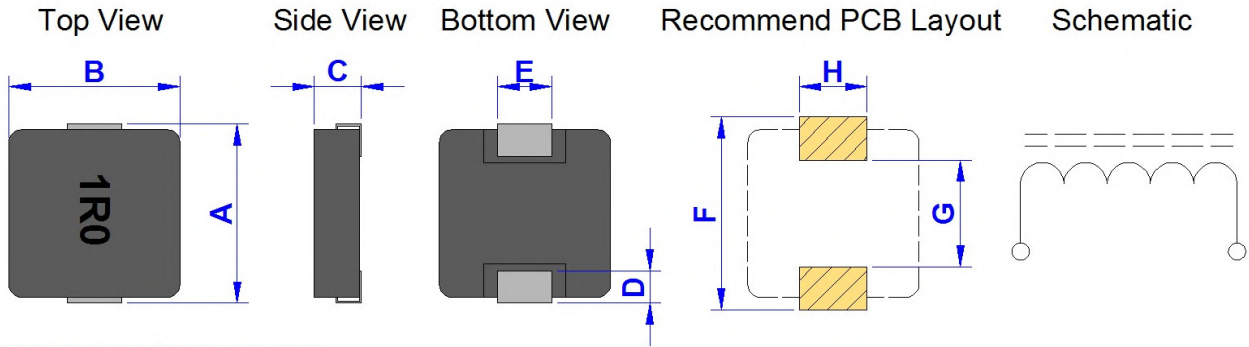
* I rms : Rated Current Loading when temperature rise approximately 40deg.C

* Isat : Saturated Current measured at the point of L drop approximately 30%

Product Series : GSTM	Brand : GOTREND
File Version : GSTM-SERIES-V3R2	Editor : Teddy Sun
Established Date : 2012.09.26	Description : High Current Inductor
Latest Edit Date : 2020.10.30	Product Type : <input checked="" type="checkbox"/> Standard <input type="checkbox"/> Customize

GSTM4020P-SERIES

Dimension [mm] :



Marking : Inductance code

A	B	C	D	E	F(Ref.)	G(Ref.)	H(Ref.)
4.45+/-0.25	4.06+/-0.25	1.8+/-0.2	0.76+/-0.3	2.0+/-0.2	5.2	2.2	2.4

Electrical Characteristics :

Part No.	Inductance (uH)	Inductance Tolerance	RDC (m Ohm) Typ.	RDC (m Ohm) Max.	Isat (Amp) Typ.	Irms (Amp) Typ.
GSTM4020P-R10	0.10	N	3.2	4.0	35.0	12.0
GSTM4020P-R18	0.18	N	4.6	5.4	28.0	13.5
GSTM4020P-R22	0.22	N	6.6	7.3	24.0	13.0
GSTM4020P-R33	0.33	M	7.8	8.6	18.0	10.0
GSTM4020P-R47	0.47	M	11.2	14.0	12.0	8.0
GSTM4020P-R56	0.56	M	13.5	16.0	10.0	7.3
GSTM4020P-R68	0.68	M	16.0	19.0	10.0	7.0
GSTM4020P-1R0	1.00	M	22.0	27.0	8.5	5.0
GSTM4020P-1R2	1.20	M	25.0	30.0	7.8	4.8
GSTM4020P-1R5	1.50	M	34.8	42.0	7.0	4.5
GSTM4020P-2R2	2.20	M	51.0	61.0	6.0	4.0
GSTM4020P-3R3	3.30	M	69.0	76.0	4.0	3.5
GSTM4020P-4R7	4.70	M	95.0	105.0	3.5	2.6
GSTM4020P-5R6	5.60	M	112.0	125.0	3.0	2.2
GSTM4020P-6R8	6.80	M	150.0	172.0	2.8	2.1
GSTM4020P-8R2	8.20	M	158.0	180.0	2.5	2.0
GSTM4020P-100	10.00	M	215.0	243.0	2.3	1.8
GSTM4020P-150	15.00	M	325.0	374.0	1.9	1.5
GSTM4020P-220	22.00	M	470.0	500.0	1.4	1.2

* Test Condition @100KHz , 1.0Vrms , 25deg.C Ambient

* Inductance Tolerance : M = +/-20% , N = +/-30%

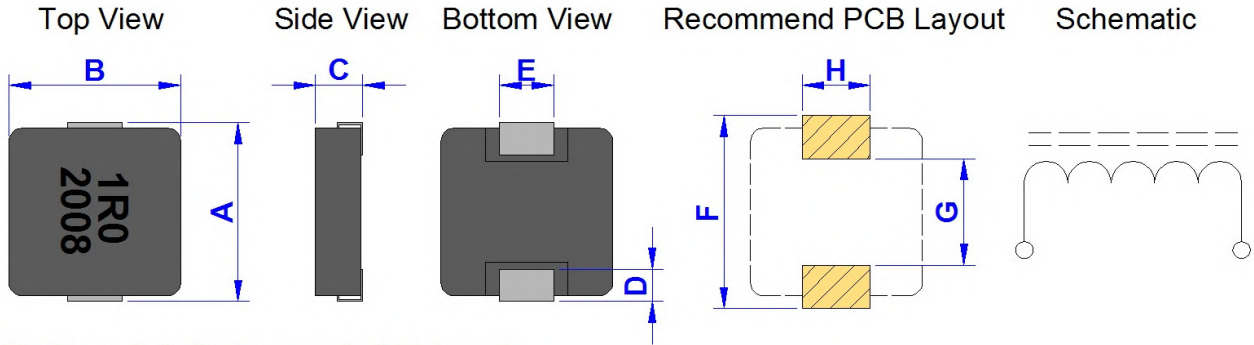
* Irms : Rated Current Loading when temperature rise approximately 40deg.C

* Isat : Saturated Current measured at the point of L drop approximately 30%

Product Series : GSTM	Brand : GOTREND
File Version : GSTM-SERIES-V3R2	Editor : Teddy Sun
Established Date : 2012.09.26	Description : High Current Inductor
Latest Edit Date : 2020.10.30	Product Type : <input checked="" type="checkbox"/> Standard <input type="checkbox"/> Customize

GSTM5012P-SERIES

Dimension [mm] :



Marking : A. Inductance code & Date code
 (1) Year ex. 2020 = 20
 (2) Weekly serial number 01 ~ 52

A	B	C	D	E	F(Ref.)	G(Ref.)	H(Ref.)
5.7+/-0.3	5.2+/-0.2	1.0+/-0.2	1.1+/-0.3	2.5+/-0.3	6.2	2.2	2.8

Electrical Characteristics :

Part No.	Inductance (uH)	Inductance Tolerance	RDC (m Ohm) Typ.	RDC (m Ohm) Max.	Isat (Amp) Typ.	Irms (Amp) Typ.
GSTM5012P-R10□	0.10	N	4.3	5.2	14.5	14.0
GSTM5012P-R22□	0.22	N	5.5	6.7	14.0	10.7
GSTM5012P-R33□	0.33	M	7.8	9.4	13.5	8.5
GSTM5012P-R36□	0.36	M	10.0	11.5	13.0	8.0
GSTM5012P-R47□	0.47	M	13.6	15.8	11.0	7.0
GSTM5012P-R68□	0.68	M	21.5	24.5	9.0	6.0
GSTM5012P-1R0□	1.00	M	26.0	30.0	6.0	5.0
GSTM5012P-1R2□	1.20	M	33.0	40.0	5.5	4.5
GSTM5012P-1R5□	1.50	M	38.0	44.0	5.0	4.0
GSTM5012P-2R2□	2.20	M	65.0	75.0	4.0	3.5
GSTM5012P-3R3□	3.30	M	75.0	86.0	3.8	3.0
GSTM5012P-4R7□	4.70	M	100.0	115.0	3.2	2.5
GSTM5012P-5R6□	5.60	M	175.0	201.0	3.2	2.4
GSTM5012P-6R8□	6.80	M	193.0	222.0	3.0	2.0
GSTM5012P-8R2□	8.20	M	327.0	378.0	2.8	1.7
GSTM5012P-100□	10.00	M	335.0	385.0	1.8	1.5

* Test Condition @100KHz , 1.0Vrms , 25deg.C Ambient

* Inductance Tolerance : M = +/-20% , N = +/-30%

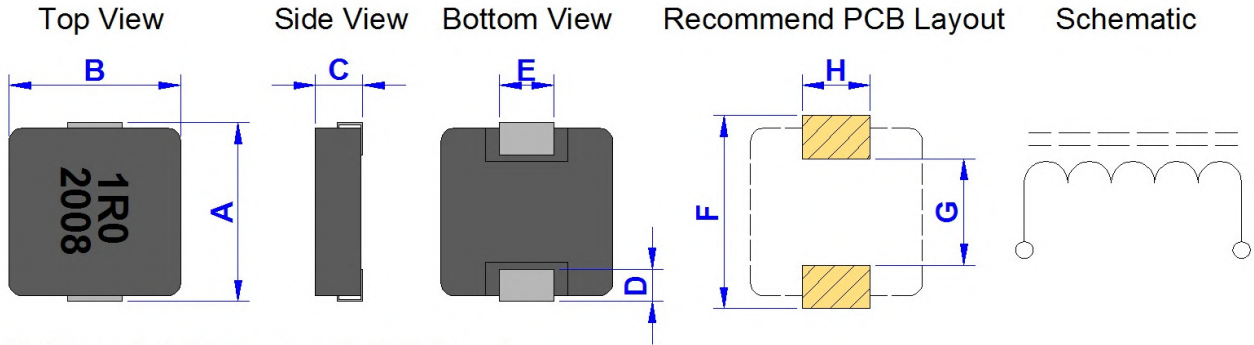
* Irms : Rated Current Loading when temperature rise approximately 40deg.C

* Isat : Saturated Current measured at the point of L drop approximately 30%

Product Series : GSTM	Brand : GOTREND
File Version : GSTM-SERIES-V3R2	Editor : Teddy Sun
Established Date : 2012.09.26	Description : High Current Inductor
Latest Edit Date : 2020.10.30	Product Type : <input checked="" type="checkbox"/> Standard <input type="checkbox"/> Customize

GSTM5015P-SERIES

Dimension [mm] :



Marking : A. Inductance code & Date code
 (1) Year ex. 2020 = 20
 (2) Weekly serial number 01 ~ 52

A	B	C	D	E	F(Ref.)	G(Ref.)	H(Ref.)
5.7+/-0.3	5.2+/-0.2	1.3+/-0.2	1.1+/-0.3	2.5+/-0.3	6.2	2.2	2.8

Electrical Characteristics :

Part No.	Inductance (uH)	Inductance Tolerance	RDC (m Ohm) Typ.	RDC (m Ohm) Max.	Isat (Amp) Typ.	Irms (Amp) Typ.
GSTM5015P-R33□	0.33	M	8.5	9.8	16.0	9.0
GSTM5015P-R47□	0.47	M	12.0	13.8	15.0	8.0
GSTM5015P-R68□	0.68	M	14.0	16.2	13.0	7.0
GSTM5015P-1R0□	1.00	M	22.0	25.3	9.0	6.0
GSTM5015P-1R5□	1.50	M	39.0	45.0	7.0	4.5
GSTM5015P-2R2□	2.20	M	45.0	52.0	6.0	4.0
GSTM5015P-3R3□	3.30	M	78.0	90.0	4.5	3.2
GSTM5015P-4R7□	4.70	M	103.0	118.0	4.0	2.7
GSTM5015P-5R6□	5.60	M	126.0	152.0	3.2	2.4
GSTM5015P-6R8□	6.80	M	142.0	171.0	3.0	2.3
GSTM5015P-8R2□	8.20	M	175.0	210.0	2.6	2.1
GSTM5015P-100□	10.00	M	210.0	235.0	2.3	2.0

* Test Condition @100KHz , 1.0Vrms , 25deg.C Ambient

* Inductance Tolerance : M = +/-20%

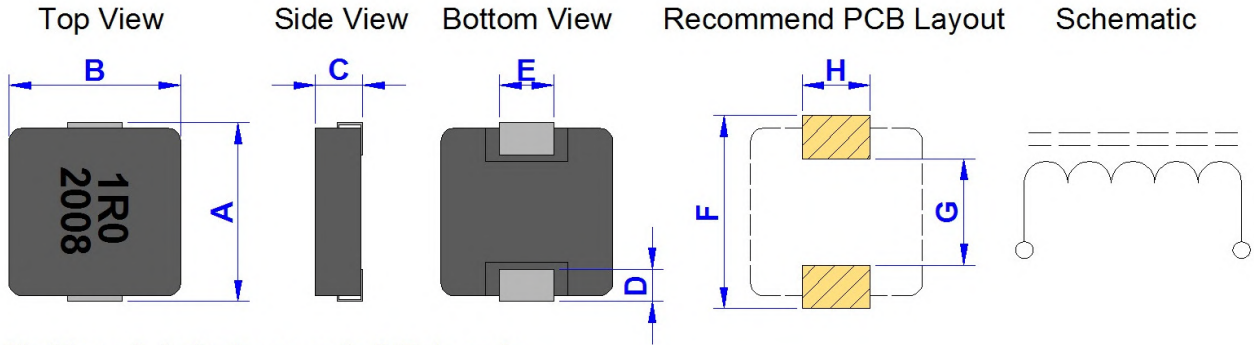
* I rms : Rated Current Loading when temperature rise approximately 40deg.C

* Isat : Saturated Current measured at the point of L drop approximately 30%

Product Series : GSTM	Brand : GOTREND
File Version : GSTM-SERIES-V3R2	Editor : Teddy Sun
Established Date : 2012.09.26	Description : High Current Inductor
Latest Edit Date : 2020.10.30	Product Type : <input checked="" type="checkbox"/> Standard <input type="checkbox"/> Customize

GSTM5018P-SERIES

Dimension [mm] :



Marking : A. Inductance code & Date code
 (1) Year ex. 2020 = 20
 (2) Weekly serial number 01 ~ 52

A	B	C	D	E	F(Ref.)	G(Ref.)	H(Ref.)
5.7+/-0.3	5.2+/-0.2	1.6+/-0.2	1.1+/-0.3	2.5+/-0.3	6.2	2.2	2.8

Electrical Characteristics :

Part No.	Inductance (uH)	Inductance Tolerance	RDC (m Ohm) Typ.	RDC (m Ohm) Max.	Isat (Amp) Typ.	Irms (Amp) Typ.
GSTM5018P-R33□	0.33	M	7.5	8.6	15.0	11.0
GSTM5018P-R47□	0.47	M	9.8	11.3	14.0	10.0
GSTM5018P-R68□	0.68	M	12.4	14.3	13.0	9.0
GSTM5018P-1R0□	1.00	M	18.2	21.0	10.0	6.8
GSTM5018P-1R5□	1.50	M	26.0	30.0	9.0	6.0
GSTM5018P-2R2□	2.20	M	42.0	48.3	7.5	4.5
GSTM5018P-3R3□	3.30	M	60.0	69.0	5.0	3.5
GSTM5018P-4R7□	4.70	M	85.0	98.0	4.5	3.0
GSTM5018P-5R6□	5.60	M	110.0	127.0	4.0	2.5
GSTM5018P-6R8□	6.80	M	118.0	137.0	3.5	2.4
GSTM5018P-8R2□	8.20	M	143.0	165.0	3.0	2.3
GSTM5018P-100□	10.00	M	165.0	190.0	2.8	2.3

* Test Condition @100KHz , 1.0Vrms , 25deg.C Ambient

* Inductance Tolerance : M = +/-20%

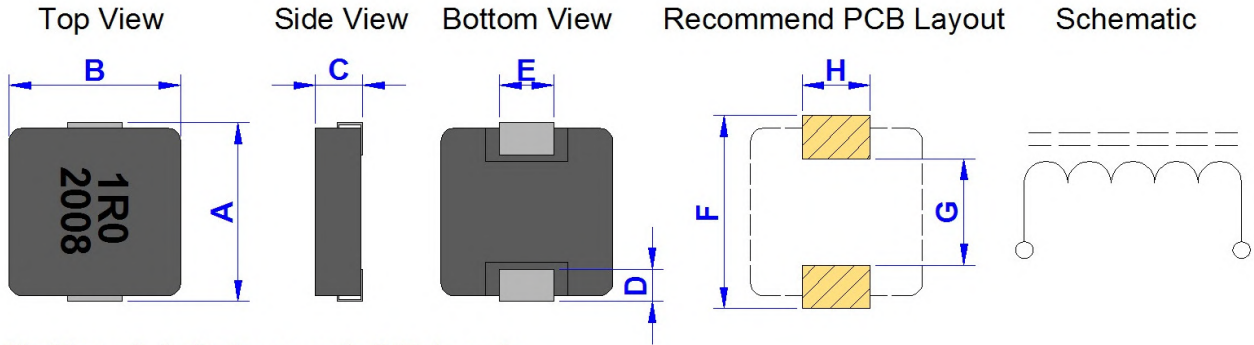
* Irms : Rated Current Loading when temperature rise approximately 40deg.C

* Isat : Saturated Current measured at the point of L drop approximately 30%

Product Series : GSTM	Brand : GOTREND
File Version : GSTM-SERIES-V3R2	Editor : Teddy Sun
Established Date : 2012.09.26	Description : High Current Inductor
Latest Edit Date : 2020.10.30	Product Type : <input checked="" type="checkbox"/> Standard <input type="checkbox"/> Customize

GSTM5020P-SERIES

Dimension [mm] :



Marking : A. Inductance code & Date code
 (1) Year ex. 2020 = 20
 (2) Weekly serial number 01 ~ 52

A	B	C	D	E	F(Ref.)	G(Ref.)	H(Ref.)
5.7+/-0.3	5.2+/-0.2	1.8+/-0.2	1.1+/-0.3	2.5+/-0.3	6.2	2.2	2.8

Electrical Characteristics :

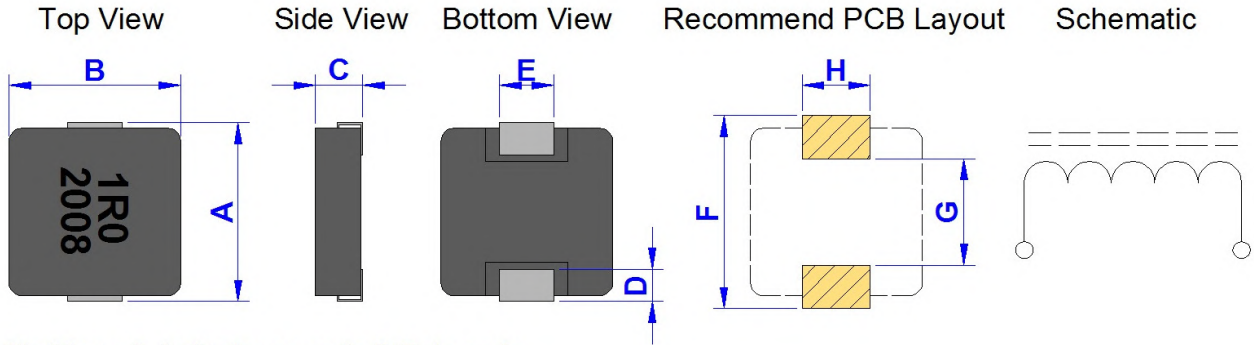
Part No.	Inductance (uH)	Inductance Tolerance	RDC (m Ohm) Typ.	RDC (m Ohm) Max.	Isat (Amp) Typ.	Irms (Amp) Typ.
GSTM5020P-R33□	0.33	M	6.3	7.3	21.3	12.0
GSTM5020P-R47□	0.47	M	7.3	8.6	18.0	11.5
GSTM5020P-R68□	0.68	M	11.0	12.4	12.8	10.0
GSTM5020P-1R0□	1.00	M	17.5	20.0	13.7	7.0
GSTM5020P-1R2□	1.20	M	23.0	28.0	11.0	6.2
GSTM5020P-1R5□	1.50	M	26.5	30.5	9.8	5.5
GSTM5020P-2R2□	2.20	M	42.0	50.0	9.0	4.2
GSTM5020P-3R3□	3.30	M	66.0	76.0	7.3	3.3
GSTM5020P-4R7□	4.70	M	103.0	116.0	5.0	2.8
GSTM5020P-5R6□	5.60	M	112.0	122.0	4.0	2.5
GSTM5020P-6R8□	6.80	M	130.0	150.0	3.8	2.4
GSTM5020P-8R2□	8.20	M	148.0	171.0	3.5	2.3
GSTM5020P-100□	10.00	M	180.0	199.0	3.4	2.3

- * Test Condition @100KHz , 1.0Vrms , 25deg.C Ambient
- * Inductance Tolerance : M = +/-20%
- * Irms : Rated Current Loading when temperature rise approximately 40deg.C
- * Isat : Saturated Current measured at the point of L drop approximately 30%

Product Series : GSTM	Brand : GOTREND
File Version : GSTM-SERIES-V3R2	Editor : Teddy Sun
Established Date : 2012.09.26	Description : High Current Inductor
Latest Edit Date : 2020.10.30	Product Type : <input checked="" type="checkbox"/> Standard <input type="checkbox"/> Customize

GSTM5030P-SERIES

Dimension [mm] :



Marking : A. Inductance code & Date code
 (1) Year ex. 2020 = 20
 (2) Weekly serial number 01 ~ 52

A	B	C	D	E	F(Ref.)	G(Ref.)	H(Ref.)
5.7+/-0.3	5.2+/-0.2	2.8+/-0.2	1.1+/-0.3	1.5+/-0.3	6.2	2.2	1.8

Electrical Characteristics :

Part No.	Inductance (uH)	Inductance Tolerance	RDC (m Ohm) Typ.	RDC (m Ohm) Max.	Isat (Amp) Typ.	Irms (Amp) Typ.
GSTM5030P-R33□	0.33	M	4.3	5.0	18.0	14.00
GSTM5030P-R47□	0.47	M	6.4	7.4	16.0	12.00
GSTM5030P-R68□	0.68	M	10.0	12.0	14.0	8.50
GSTM5030P-1R0□	1.00	M	13.0	14.0	11.0	7.00
GSTM5030P-1R2□	1.20	M	14.0	16.0	11.0	6.50
GSTM5030P-1R5□	1.50	M	16.0	25.0	10.0	6.00
GSTM5030P-2R2□	2.20	M	25.0	35.0	9.0	5.50
GSTM5030P-3R3□	3.30	M	32.0	38.0	8.0	5.00
GSTM5030P-4R7□	4.70	M	50.0	53.0	6.0	4.60
GSTM5030P-5R6□	5.60	M	55.0	63.0	4.5	4.25
GSTM5030P-6R8□	6.80	M	68.0	76.2	4.3	4.00
GSTM5030P-100□	10.00	M	110.0	128.0	3.5	2.75
GSTM5030P-220□	22.00	M	220.0	250.0	1.7	1.90

* Test Condition @100KHz , 1.0Vrms , 25deg.C Ambient

* Inductance Tolerance : M = +/-20%

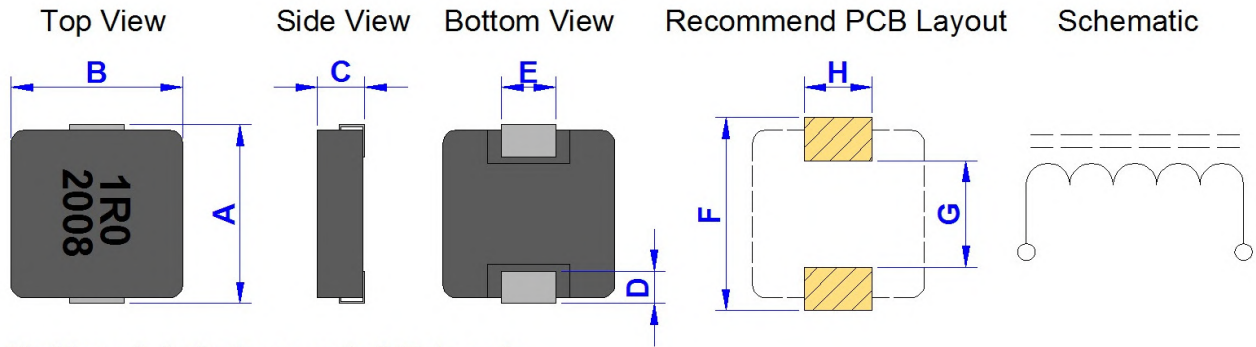
* Irms : Rated Current Loading when temperature rise approximately 40deg.C

* Isat : Saturated Current measured at the point of L drop approximately 30%

Product Series : GSTM	Brand : GOTREND
File Version : GSTM-SERIES-V3R2	Editor : Teddy Sun
Established Date : 2012.09.26	Description : High Current Inductor
Latest Edit Date : 2020.10.30	Product Type : <input checked="" type="checkbox"/> Standard <input type="checkbox"/> Customize

GSTM6012P-SERIES

Dimension [mm] :



Marking : A. Inductance code & Date code
 (1) Year ex. 2020 = 20
 (2) Weekly serial number 01 ~ 52

A	B	C	D	E	F(Ref.)	G(Ref.)	H(Ref.)
7.0+/-0.3	6.6+/-0.3	1.0+/-0.2	1.8+/-0.3	2.5+/-0.3	7.7	2.5	3.0

Electrical Characteristics :

Part No.	Inductance (uH)	Inductance Tolerance	RDC (m Ohm) Typ.	RDC (m Ohm) Max.	Isat (Amp) Typ.	Irms (Amp) Typ.
GSTM6012P-R22□	0.22	N	6.5	7.5	19.0	11.0
GSTM6012P-R33□	0.33	M	9.0	10.0	16.0	9.5
GSTM6012P-R47□	0.47	M	13.0	17.0	12.0	8.5
GSTM6012P-R68□	0.68	M	17.0	19.0	9.0	7.0
GSTM6012P-1R0□	1.00	M	27.0	30.0	7.0	6.0
GSTM6012P-1R2□	1.20	M	31.0	36.0	6.8	5.0
GSTM6012P-1R5□	1.50	M	35.0	40.0	6.5	4.5
GSTM6012P-2R2□	2.20	M	53.0	61.0	5.0	4.0
GSTM6012P-3R3□	3.30	M	90.0	103.0	4.0	3.2
GSTM6012P-4R7□	4.70	M	130.0	150.0	3.8	2.5
GSTM6012P-6R8□	6.80	M	172.0	198.0	3.0	2.1
GSTM6012P-100□	10.00	M	280.0	290.0	2.5	1.8

* Test Condition @100KHz , 1.0Vrms , 25deg.C Ambient

* Inductance Tolerance : M = +/-20% , N = +/-30%

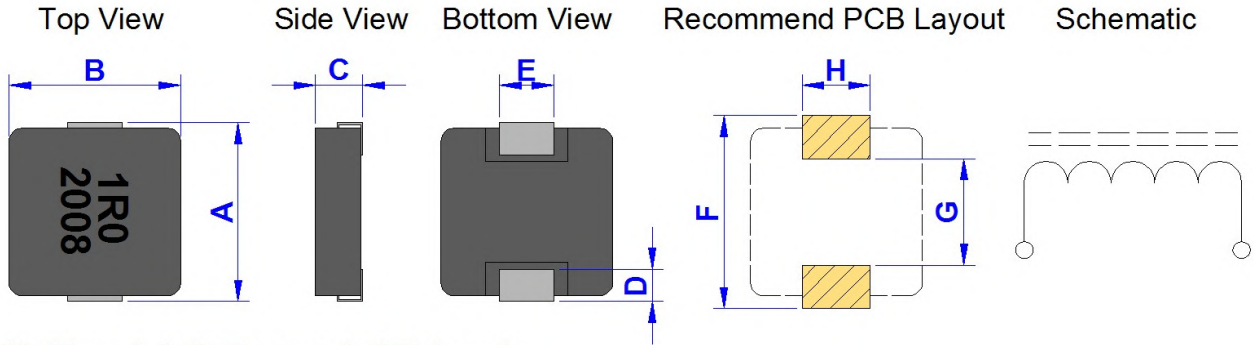
* Irms : Rated Current Loading when temperature rise approximately 40deg.C

* Isat : Saturated Current measured at the point of L drop approximately 30%

Product Series : GSTM	Brand : GOTREND
File Version : GSTM-SERIES-V3R2	Editor : Teddy Sun
Established Date : 2012.09.26	Description : High Current Inductor
Latest Edit Date : 2020.10.30	Product Type : <input checked="" type="checkbox"/> Standard <input type="checkbox"/> Customize

GSTM6015P-SERIES

Dimension [mm] :



Marking : A. Inductance code & Date code
 (1) Year ex. 2020 = 20
 (2) Weekly serial number 01 ~ 52

A	B	C	D	E	F(Ref.)	G(Ref.)	H(Ref.)
7.0+/-0.3	6.6+/-0.3	1.3+/-0.2	1.8+/-0.3	3.0+/-0.3	7.7	2.5	3.5

Electrical Characteristics :

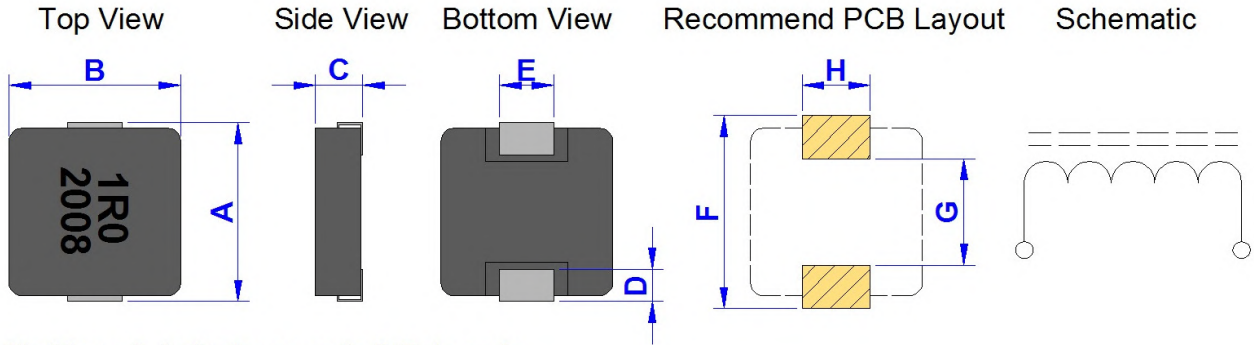
Part No.	Inductance (uH)	Inductance Tolerance	RDC (m Ohm) Typ.	RDC (m Ohm) Max.	Isat (Amp) Typ.	Irms (Amp) Typ.
GSTM6015P-R22□	0.22	N	4.3	5.2	22.0	14.0
GSTM6015P-R33□	0.33	M	6.6	7.6	18.0	11.0
GSTM6015P-R47□	0.47	M	9.0	10.3	16.0	9.5
GSTM6015P-R68□	0.68	M	13.8	15.2	15.0	7.5
GSTM6015P-1R0□	1.00	M	23.0	25.8	12.0	6.5
GSTM6015P-1R2□	1.20	M	29.0	34.0	10.5	5.6
GSTM6015P-1R5□	1.50	M	37.0	42.5	9.5	5.0
GSTM6015P-2R2□	2.20	M	48.0	55.0	6.5	4.5
GSTM6015P-3R3□	3.30	M	62.0	74.0	6.0	4.2
GSTM6015P-4R7□	4.70	M	96.0	111.0	5.0	3.8
GSTM6015P-5R6□	5.60	M	115.0	138.0	4.5	3.0
GSTM6015P-6R8□	6.80	M	128.0	148.0	3.5	2.6
GSTM6015P-8R2□	8.20	M	153.0	184.0	3.2	2.4
GSTM6015P-100□	10.00	M	180.0	216.0	2.8	2.3

- * Test Condition @100KHz , 1.0Vrms , 25deg.C Ambient
- * Inductance Tolerance : M = +/-20% , N = +/-30%
- * Irms : Rated Current Loading when temperature rise approximately 40deg.C
- * Isat : Saturated Current measured at the point of L drop approximately 30%

Product Series : GSTM	Brand : GOTREND
File Version : GSTM-SERIES-V3R2	Editor : Teddy Sun
Established Date : 2012.09.26	Description : High Current Inductor
Latest Edit Date : 2020.10.30	Product Type : <input checked="" type="checkbox"/> Standard <input type="checkbox"/> Customize

GSTM6018P-SERIES

Dimension [mm] :



Marking : A. Inductance code & Date code
 (1) Year ex. 2020 = 20
 (2) Weekly serial number 01 ~ 52

A	B	C	D	E	F(Ref.)	G(Ref.)	H(Ref.)
7.0+/-0.3	6.6+/-0.3	1.6+/-0.2	1.8+/-0.3	3.0+/-0.3	7.7	2.5	3.5

Electrical Characteristics :

Part No.	Inductance (uH)	Inductance Tolerance	RDC (m Ohm) Typ.	RDC (m Ohm) Max.	Isat (Amp) Typ.	Irms (Amp) Typ.
GSTM6018P-R33□	0.33	M	4.8	5.8	22.0	14.0
GSTM6018P-R47□	0.47	M	6.4	7.4	18.0	12.0
GSTM6018P-R68□	0.68	M	9.5	11.0	17.0	10.0
GSTM6018P-R82□	0.82	M	11.5	14.0	15.5	8.5
GSTM6018P-1R0□	1.00	M	14.5	17.0	14.0	7.0
GSTM6018P-1R2□	1.20	M	20.0	24.0	13.5	6.5
GSTM6018P-1R5□	1.50	M	21.0	25.2	13.0	6.0
GSTM6018P-2R2□	2.20	M	31.0	35.0	11.0	6.0
GSTM6018P-3R3□	3.30	M	40.0	46.0	9.0	5.0
GSTM6018P-4R7□	4.70	M	68.0	76.0	7.0	4.0
GSTM6018P-5R6□	5.60	M	78.0	86.0	6.0	3.5
GSTM6018P-6R8□	6.80	M	93.0	104.0	5.5	3.0
GSTM6018P-8R2□	8.20	M	123.0	140.0	4.5	2.6
GSTM6018P-100□	10.00	M	143.0	160.0	3.5	2.3

* Test Condition @100KHz , 1.0Vrms , 25deg.C Ambient

* Inductance Tolerance : M = +/-20%

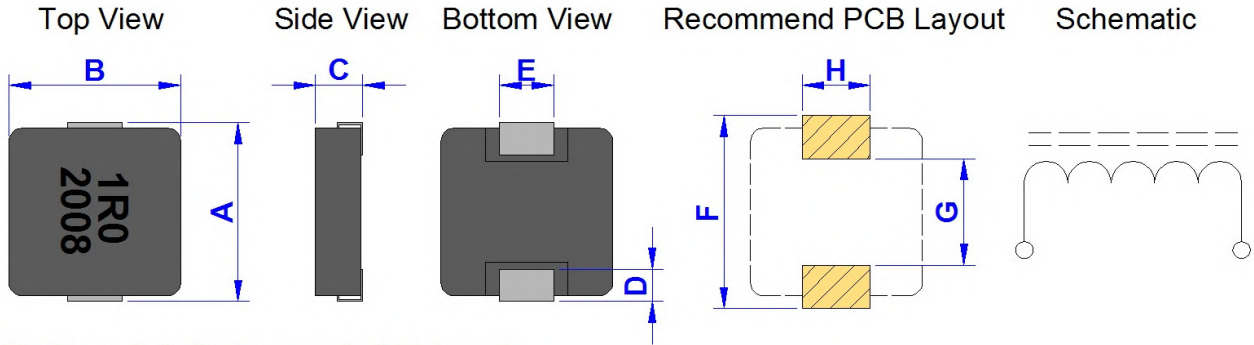
* Irms : Rated Current Loading when temperature rise approximately 40deg.C

* Isat : Saturated Current measured at the point of L drop approximately 30%

Product Series : GSTM	Brand : GOTREND
File Version : GSTM-SERIES-V3R2	Editor : Teddy Sun
Established Date : 2012.09.26	Description : High Current Inductor
Latest Edit Date : 2020.10.30	Product Type : <input checked="" type="checkbox"/> Standard <input type="checkbox"/> Customize

GSTM6020P-SERIES

Dimension [mm] :



Marking : A. Inductance code & Date code
 (1) Year ex. 2020 = 20
 (2) Weekly serial number 01 ~ 52

A	B	C	D	E	F(Ref.)	G(Ref.)	H(Ref.)
7.0+/-0.3	6.6+/-0.3	1.8+/-0.2	1.8+/-0.3	3.0+/-0.3	7.7	2.5	3.5

Electrical Characteristics :

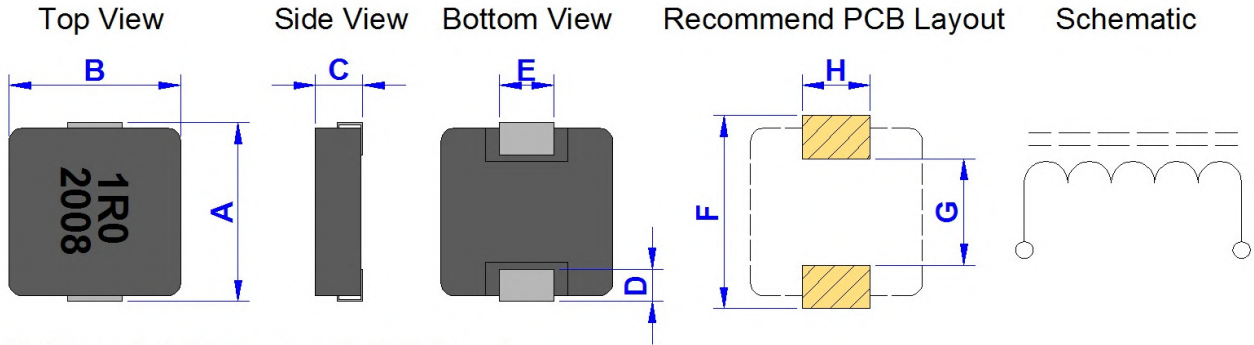
Part No.	Inductance (uH)	Inductance Tolerance	RDC (m Ohm) Typ.	RDC (m Ohm) Max.	Isat (Amp) Typ.	Irms (Amp) Typ.
GSTM6020P-R10□	0.10	N	2.0	2.4	40.0	21.0
GSTM6020P-R20□	0.20	N	2.5	3.0	35.0	18.0
GSTM6020P-R33□	0.33	M	4.5	5.0	25.0	14.0
GSTM6020P-R47□	0.47	M	7.1	8.3	20.0	11.7
GSTM6020P-R68□	0.68	M	8.3	10.0	16.0	10.5
GSTM6020P-1R0□	1.00	M	16.5	18.0	14.0	8.0
GSTM6020P-1R5□	1.50	M	23.0	27.0	12.0	7.0
GSTM6020P-2R2□	2.20	M	32.0	37.0	10.0	6.0
GSTM6020P-3R3□	3.30	M	43.0	48.0	8.0	5.0
GSTM6020P-4R7□	4.70	M	53.0	60.0	7.0	4.5
GSTM6020P-5R6□	5.60	M	59.0	68.0	6.0	4.0
GSTM6020P-6R8□	6.80	M	63.0	73.0	5.5	4.0
GSTM6020P-8R2□	8.20	M	101.0	116.0	5.0	3.2
GSTM6020P-100□	10.00	M	134.0	154.0	4.0	2.8
GSTM6020P-220□	22.00	M	236.0	280.0	2.5	1.5

- * Test Condition @100KHz , 1.0Vrms , 25deg.C Ambient
- * Inductance Tolerance : M = +/-20% , N = +/-30%
- * Irms : Rated Current Loading when temperature rise approximately 40deg.C
- * Isat : Saturated Current measured at the point of L drop approximately 30%

Product Series : GSTM	Brand : GOTREND
File Version : GSTM-SERIES-V3R2	Editor : Teddy Sun
Established Date : 2012.09.26	Description : High Current Inductor
Latest Edit Date : 2020.10.30	Product Type : <input checked="" type="checkbox"/> Standard <input type="checkbox"/> Customize

GSTM6024P-SERIES

Dimension [mm] :



Marking : A. Inductance code & Date code
 (1) Year ex. 2020 = 20
 (2) Weekly serial number 01 ~ 52

A	B	C	D	E	F(Ref.)	G(Ref.)	H(Ref.)
7.0+/-0.3	6.6+/-0.3	2.2+/-0.2	1.8+/-0.3	3.0+/-0.3	7.7	2.5	3.5

Electrical Characteristics :

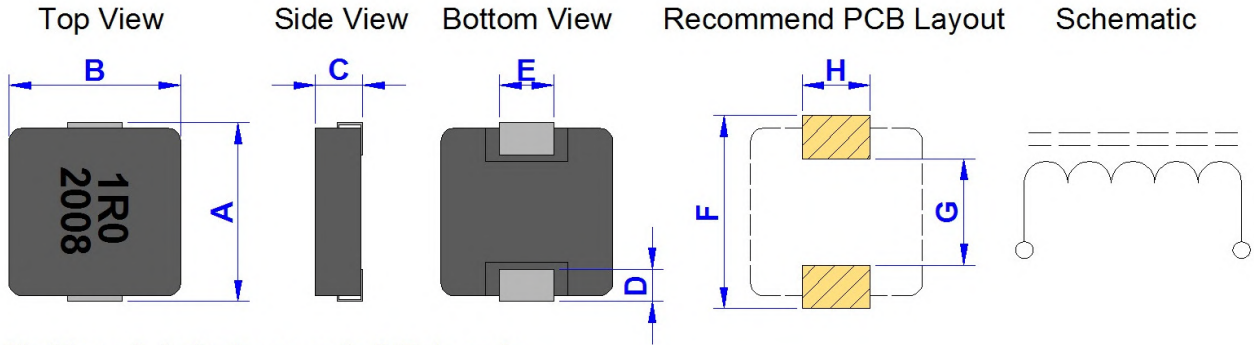
Part No.	Inductance (uH)	Inductance Tolerance	RDC (m Ohm) Typ.	RDC (m Ohm) Max.	Isat (Amp) Typ.	Irms (Amp) Typ.
GSTM6024P-R10□	0.10	N	1.4	1.7	70.0	30.0
GSTM6024P-R15□	0.15	N	1.8	2.3	45.0	30.0
GSTM6024P-R20□	0.20	M	1.9	2.8	40.0	23.0
GSTM6024P-R22□	0.22	M	2.0	3.2	34.0	21.0
GSTM6024P-R33□	0.33	M	3.6	4.4	30.0	18.0
GSTM6024P-R36□	0.36	M	3.8	4.6	29.0	17.0
GSTM6024P-R47□	0.47	M	4.8	5.1	26.0	15.0
GSTM6024P-R56□	0.56	M	5.5	6.5	24.0	13.0
GSTM6024P-R60□	0.60	M	5.7	6.9	22.0	13.0
GSTM6024P-R68□	0.68	M	6.4	7.2	21.0	13.0
GSTM6024P-R82□	0.82	M	8.0	9.5	17.0	11.0
GSTM6024P-1R0□	1.00	M	10.5	13.5	16.0	11.0
GSTM6024P-1R5□	1.50	M	17.0	20.0	15.0	9.0
GSTM6024P-2R2□	2.20	M	23.0	28.0	14.0	7.0
GSTM6024P-3R3□	3.30	M	34.0	39.0	10.0	6.0
GSTM6024P-4R7□	4.70	M	41.0	50.0	9.0	5.5
GSTM6024P-5R6□	5.60	M	56.0	62.0	8.0	5.0
GSTM6024P-6R8□	6.80	M	65.0	72.0	7.0	4.0
GSTM6024P-8R2□	8.20	M	81.0	95.0	6.0	3.6
GSTM6024P-100□	10.00	M	92.0	101.0	5.0	3.2
GSTM6024P-150□	15.00	M	150.0	180.0	3.5	2.5
GSTM6024P-220□	22.00	M	185.0	215.0	3.0	1.8

- * Test Condition @100KHz , 1.0Vrms , 25deg.C Ambient
- * Inductance Tolerance : M = +/-20% , N = +/-30%
- * Irms : Rated Current Loading when temperature rise approximately 40deg.C
- * Isat : Saturated Current measured at the point of L drop approximately 30%

Product Series : GSTM	Brand : GOTREND
File Version : GSTM-SERIES-V3R2	Editor : Teddy Sun
Established Date : 2012.09.26	Description : High Current Inductor
Latest Edit Date : 2020.10.30	Product Type : <input checked="" type="checkbox"/> Standard <input type="checkbox"/> Customize

GSTM6030P-SERIES

Dimension [mm] :



Marking : A. Inductance code & Date code
 (1) Year ex. 2020 = 20
 (2) Weekly serial number 01 ~ 52

A	B	C	D	E	F(Ref.)	G(Ref.)	H(Ref.)
7.3+/-0.3	6.6+/-0.3	2.8+/-0.2	1.8+/-0.3	3.0+/-0.3	8.4	2.5	3.5

Electrical Characteristics :

Part No.	Inductance (uH)	Inductance Tolerance	RDC (m Ohm) Typ.	RDC (m Ohm) Max.	Isat (Amp) Typ.	Irms (Amp) Typ.
GSTM6030P-R10□	0.10	N	1.2	1.7	60.0	32.5
GSTM6030P-R18□	0.18	N	1.7	2.3	43.0	25.0
GSTM6030P-R22□	0.22	N	2.1	2.8	40.0	23.0
GSTM6030P-R33□	0.33	M	3.5	3.9	32.0	20.0
GSTM6030P-R47□	0.47	M	4.0	4.2	26.0	17.5
GSTM6030P-R56□	0.56	M	4.7	5.0	25.5	16.5
GSTM6030P-R68□	0.68	M	4.8	5.5	25.0	15.5
GSTM6030P-R75□	0.75	M	5.5	6.6	24.5	14.5
GSTM6030P-R82□	0.82	M	6.7	8.0	24.0	13.0
GSTM6030P-1R0□	1.00	M	8.3	10.0	22.0	11.0
GSTM6030P-1R5□	1.50	M	13.0	15.0	18.0	9.0
GSTM6030P-1R8□	1.80	M	14.0	17.0	16.0	8.5
GSTM6030P-2R2□	2.20	M	18.0	20.0	14.0	8.0
GSTM6030P-2R5□	2.50	M	20.0	22.0	13.0	7.0
GSTM6030P-3R3□	3.30	M	28.0	30.0	13.5	6.0
GSTM6030P-4R7□	4.70	M	37.0	40.0	10.0	5.5
GSTM6030P-5R6□	5.60	M	43.0	48.0	9.0	5.0
GSTM6030P-6R8□	6.80	M	54.0	60.0	8.0	4.5
GSTM6030P-8R2□	8.20	M	64.0	68.0	7.5	4.0
GSTM6030P-100□	10.00	M	75.0	85.0	6.0	3.5
GSTM6030P-150□	15.00	M	107.0	123.0	4.0	3.0
GSTM6030P-220□	22.00	M	165.0	190.0	3.5	2.0
GSTM6030P-270□	27.00	M	185.0	220.0	3.0	2.0
GSTM6030P-330□	33.00	M	200.0	240.0	2.5	2.0
GSTM6030P-470□	47.00	M	302.0	363.0	2.0	1.75

* Test Condition @100KHz , 1.0Vrms , 25deg.C Ambient

* Inductance Tolerance : M = +/-20% , N = +/-30%

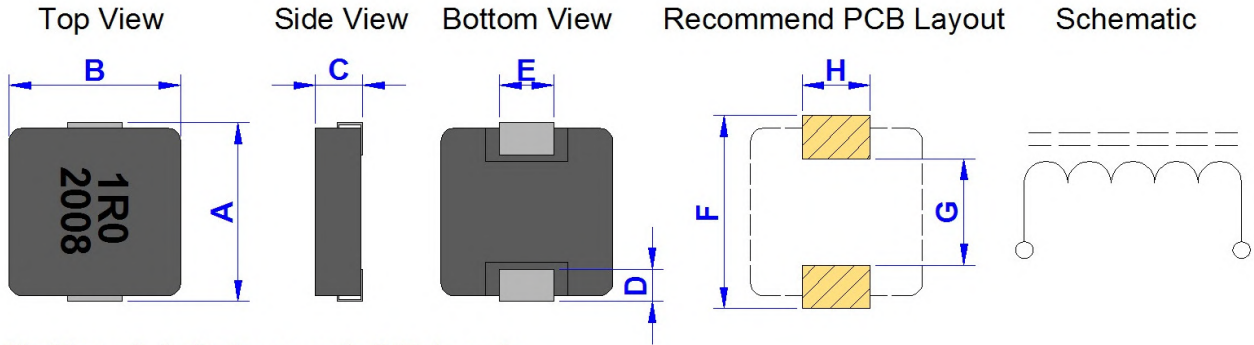
* Irms : Rated Current Loading when temperature rise approximately 40deg.C

* Isat : Saturated Current measured at the point of L drop approximately 30%

Product Series : GSTM	Brand : GOTREND
File Version : GSTM-SERIES-V3R2	Editor : Teddy Sun
Established Date : 2012.09.26	Description : High Current Inductor
Latest Edit Date : 2020.10.30	Product Type : <input checked="" type="checkbox"/> Standard <input type="checkbox"/> Customize

GSTM6050P-SERIES

Dimension [mm] :



Marking : A. Inductance code & Date code
 (1) Year ex. 2020 = 20
 (2) Weekly serial number 01 ~ 52

A	B	C	D	E	F(Ref.)	G(Ref.)	H(Ref.)
7.3+/-0.3	6.6+/-0.3	4.8+/-0.2	1.8+/-0.3	3.0+/-0.3	8.4	2.5	3.5

Electrical Characteristics :

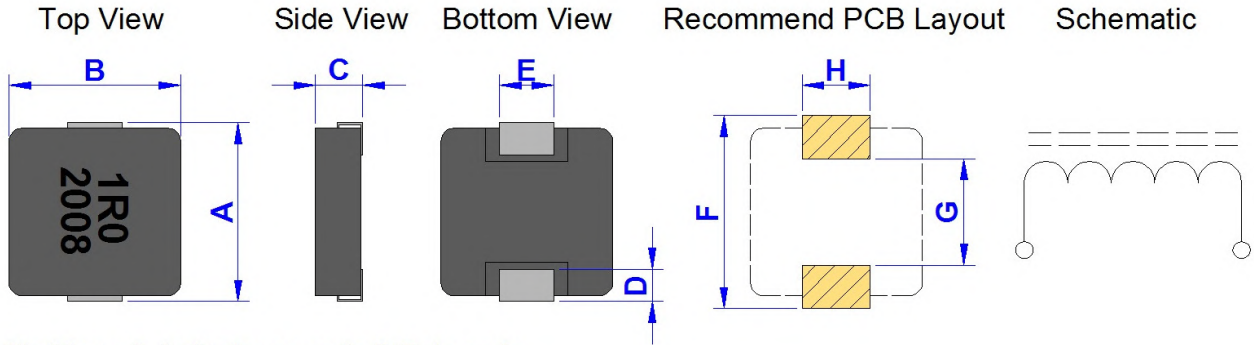
Part No.	Inductance (uH)	Inductance Tolerance	RDC (m Ohm) Typ.	RDC (m Ohm) Max.	Isat (Amp) Typ.	Irms (Amp) Typ.
GSTM6050P-R47□	0.47	M	3.5	3.9	30.0	22.0
GSTM6050P-R56□	0.56	M	3.6	4.2	27.0	20.0
GSTM6050P-R60□	0.60	M	3.8	4.3	25.0	19.0
GSTM6050P-R68□	0.68	M	4.0	4.5	24.0	18.0
GSTM6050P-R82□	0.82	M	4.6	4.9	22.0	16.5
GSTM6050P-1R0□	1.00	M	6.1	6.5	20.0	15.0
GSTM6050P-1R2□	1.20	M	6.7	7.5	18.0	14.0
GSTM6050P-1R5□	1.50	M	8.6	9.0	16.5	12.0
GSTM6050P-2R2□	2.20	M	11.2	12.0	14.0	10.0
GSTM6050P-3R3□	3.30	M	19.0	20.9	12.0	8.0
GSTM6050P-4R7□	4.70	M	28.0	30.8	10.0	6.5
GSTM6050P-5R6□	5.60	M	43.5	49.0	9.0	6.0
GSTM6050P-6R8□	6.80	M	46.0	51.5	8.5	5.5
GSTM6050P-8R2□	8.20	M	56.0	63.0	8.0	5.0
GSTM6050P-100□	10.00	M	60.0	69.0	7.5	4.0
GSTM6050P-220□	22.00	M	140.0	170.0	5.5	2.5
GSTM6050P-330□	33.00	M	173.0	200.0	3.5	2.0
GSTM6050P-470□	47.00	M	290.0	330.0	2.7	1.9
GSTM6050P-560□	56.00	M	342.0	396.0	2.1	1.6
GSTM6050P-680□	68.00	M	386.0	445.0	2.0	1.2

- * Test Condition @100KHz , 1.0Vrms , 25deg.C Ambient
- * Inductance Tolerance : M = +/-20%
- * I rms : Rated Current Loading when temperature rise approximately 40deg.C
- * Isat : Saturated Current measured at the point of L drop approximately 30%

Product Series : GSTM	Brand : GOTREND
File Version : GSTM-SERIES-V3R2	Editor : Teddy Sun
Established Date : 2012.09.26	Description : High Current Inductor
Latest Edit Date : 2020.10.30	Product Type : <input checked="" type="checkbox"/> Standard <input type="checkbox"/> Customize

GSTM1040P-SERIES

Dimension [mm] :



Marking : A. Inductance code & Date code
 (1) Year ex. 2020 = 20
 (2) Weekly serial number 01 ~ 52

A	B	C	D	E	F(Ref.)	G(Ref.)	H(Ref.)
11.0+/-0.5	10.0+/-0.3	3.8+/-0.2	2.3+/-0.3	3.0+/-0.3	13.6	5.4	3.5

Electrical Characteristics :

Part No.	Inductance (uH)	Inductance Tolerance	RDC (m Ohm) Typ.	RDC (m Ohm) Max.	Isat (Amp) Typ.	Irms (Amp) Typ.
GSTM1040P-R22□	0.22	M	0.80	1.00	60.0	35.00
GSTM1040P-R36□	0.36	M	1.05	1.20	60.0	31.00
GSTM1040P-R39□	0.39	M	1.10	1.30	60.0	30.00
GSTM1040P-R45□	0.45	M	1.30	1.50	45.0	29.00
GSTM1040P-R56□	0.56	M	1.60	1.80	40.0	25.00
GSTM1040P-R68□	0.68	M	2.40	2.70	39.0	22.00
GSTM1040P-1R0□	1.00	M	3.00	3.30	36.0	18.00
GSTM1040P-1R5□	1.50	M	4.00	4.60	33.0	16.00
GSTM1040P-2R2□	2.20	M	6.50	7.00	27.0	12.00
GSTM1040P-3R3□	3.30	M	10.80	11.80	20.0	11.00
GSTM1040P-4R7□	4.70	M	15.00	15.50	17.0	10.00
GSTM1040P-5R6□	5.60	M	17.00	19.30	14.0	9.00
GSTM1040P-6R8□	6.80	M	17.50	23.30	13.5	8.50
GSTM1040P-8R2□	8.20	M	20.00	22.50	12.5	8.00
GSTM1040P-100□	10.00	M	27.00	30.00	12.0	7.50
GSTM1040P-150□	15.00	M	40.00	45.00	10.0	6.25
GSTM1040P-220□	22.00	M	64.00	74.00	7.0	5.00
GSTM1040P-330□	33.00	M	92.00	112.00	5.0	3.50
GSTM1040P-470□	47.00	M	145.00	167.00	4.5	3.00
GSTM1040P-680□	68.00	M	205.00	240.00	3.0	2.00
GSTM1040P-820□	82.00	M	265.00	320.00	2.5	1.50

* Test Condition @100KHz , 1.0Vrms , 25deg.C Ambient

* Inductance Tolerance : M = +/-20%

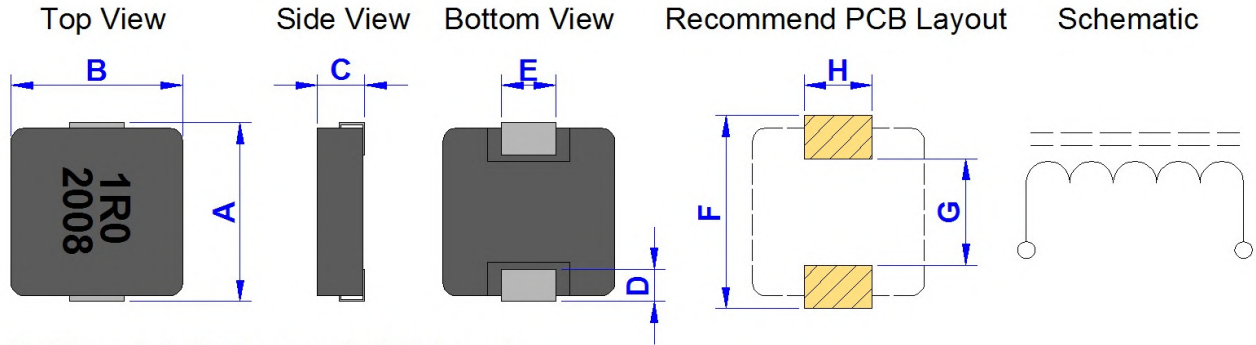
* I rms : Rated Current Loading when temperature rise approximately 40deg.C

* Isat : Saturated Current measured at the point of L drop approximately 30%

Product Series : GSTM	Brand : GOTREND
File Version : GSTM-SERIES-V3R2	Editor : Teddy Sun
Established Date : 2012.09.26	Description : High Current Inductor
Latest Edit Date : 2020.10.30	Product Type : <input checked="" type="checkbox"/> Standard <input type="checkbox"/> Customize

GSTM1050P-SERIES

Dimension [mm] :



Marking : A. Inductance code & Date code
 (1) Year ex. 2020 = 20
 (2) Weekly serial number 01 ~ 52

A	B	C	D	E	F(Ref.)	G(Ref.)	H(Ref.)
11.0+/-0.5	10.0+/-0.3	4.8+/-0.2	2.0+/-0.3	2.2 ~ 3.3	12.5	5.4	3.5

Electrical Characteristics :

Part No.	Inductance (uH)	Inductance Tolerance	RDC (m Ohm) Typ.	RDC (m Ohm) Max.	Isat (Amp) Typ.	Irms (Amp) Typ.
GSTM1050PS-R36□	0.36	M	0.82	0.92	52.00	34.00
GSTM1050PS-R47□	0.47	M	1.15	1.32	46.00	33.00
GSTM1050PS-R68□	0.68	M	1.60	1.90	35.00	28.00
GSTM1050PS-1R0□	1.00	M	2.60	3.00	33.00	25.00
GSTM1050PS-1R5□	1.50	M	3.40	3.80	21.00	23.00
GSTM1050PS-2R2□	2.20	M	5.10	5.60	20.00	19.00
GSTM1050PS-3R3□	3.30	M	8.10	9.10	17.50	17.00
GSTM1050PS-4R7□	4.70	M	9.30	10.50	16.00	15.00
GSTM1050PS-5R6□	5.60	M	12.80	14.40	15.00	13.00
GSTM1050PS-6R8□	6.80	M	15.00	17.30	14.00	12.00
GSTM1050PS-100□	10.00	M	18.90	21.80	13.00	7.60
GSTM1050PS-101□	100.00	M	242.00	290.00	2.80	2.20

* Test Condition @100KHz , 1.0Vrms , 25deg.C Ambient

* Inductance Tolerance : M = +/-20%

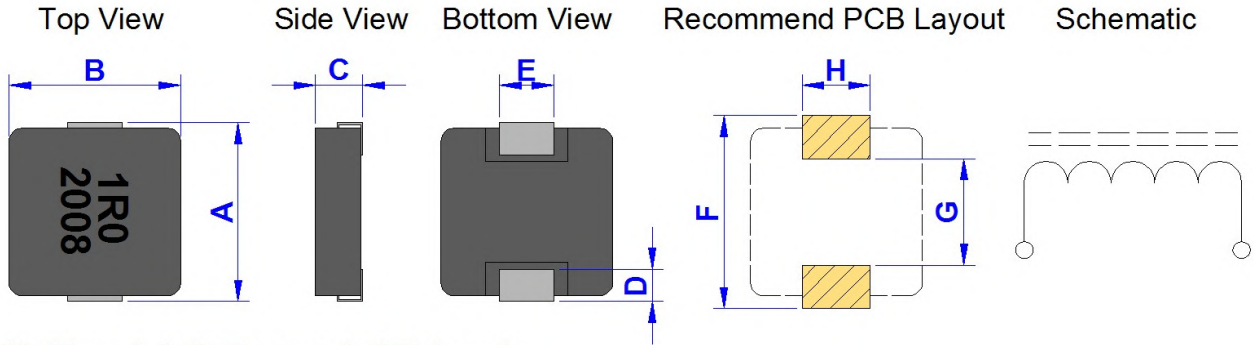
* I_{rms} : Rated Current Loading when temperature rise approximately 40deg.C

* I_{sat} : Saturated Current measured at the point of L drop approximately 30%

Product Series : GSTM	Brand : GOTREND
File Version : GSTM-SERIES-V3R2	Editor : Teddy Sun
Established Date : 2012.09.26	Description : High Current Inductor
Latest Edit Date : 2020.10.30	Product Type : <input checked="" type="checkbox"/> Standard <input type="checkbox"/> Customize

GSTM1238P-SERIES

Dimension [mm] :



Marking : A. Inductance code & Date code
 (1) Year ex. 2020 = 20
 (2) Weekly serial number 01 ~ 52

A	B	C	D	E	F(Ref.)	G(Ref.)	H(Ref.)
13.5+/-0.5	12.5+/-0.3	3.6+/-0.2	2.3+/-0.3	4.7+/-0.3	14.2	8.0	5.0

Electrical Characteristics :

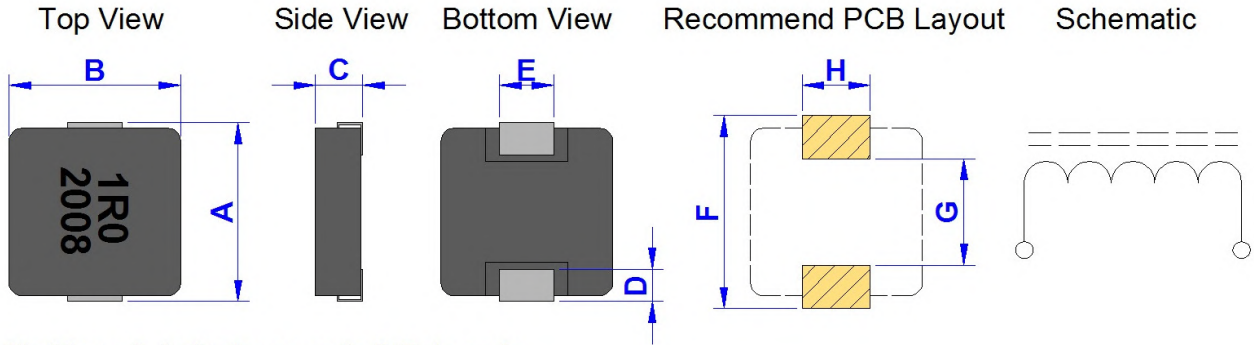
Part No.	Inductance (uH)	Inductance Tolerance	RDC (m Ohm) Typ.	RDC (m Ohm) Max.	Isat (Amp) Typ.	Irms (Amp) Typ.
GSTM1238P-1R0□	1.00	M	3.3	3.5	40.0	24.0
GSTM1238P-1R5□	1.50	M	5.1	5.5	35.0	19.0
GSTM1238P-1R8□	1.80	M	6.0	7.0	30.0	16.5
GSTM1238P-2R2□	2.20	M	7.2	8.0	29.0	16.0
GSTM1238P-3R3□	3.30	M	11.0	12.0	27.0	12.0
GSTM1238P-4R7□	4.70	M	14.3	15.0	24.0	10.0
GSTM1238P-5R6□	5.60	M	17.1	18.0	19.0	9.5
GSTM1238P-6R8□	6.80	M	19.8	22.0	18.0	9.0
GSTM1238P-8R2□	8.20	M	24.8	28.0	16.0	8.5
GSTM1238P-100□	10.00	M	30.4	34.0	14.0	7.0

- * Test Condition @100KHz , 1.0Vrms , 25deg.C Ambient
- * Inductance Tolerance : M = +/-20%
- * Irms : Rated Current Loading when temperature rise approximately 40deg.C
- * Isat : Saturated Current measured at the point of L drop approximately 30%

Product Series : GSTM	Brand : GOTREND
File Version : GSTM-SERIES-V3R2	Editor : Teddy Sun
Established Date : 2012.09.26	Description : High Current Inductor
Latest Edit Date : 2020.10.30	Product Type : <input checked="" type="checkbox"/> Standard <input type="checkbox"/> Customize

GSTM1250P-SERIES

Dimension [mm] :



Marking : A. Inductance code & Date code
 (1) Year ex. 2020 = 20
 (2) Weekly serial number 01 ~ 52

A	B	C	D	E	F(Ref.)	G(Ref.)	H(Ref.)
13.5+/-0.5	12.5+/-0.3	4.8+/-0.2	2.3+/-0.3	4.7+/-0.3	14.2	8.0	5.0

Electrical Characteristics :

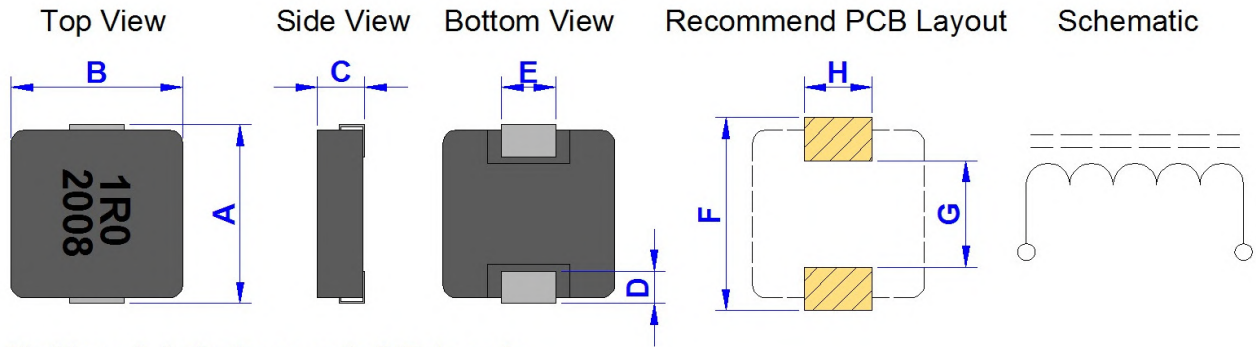
Part No.	Inductance (uH)	Inductance Tolerance	RDC (m Ohm) Typ.	RDC (m Ohm) Max.	Isat (Amp) Typ.	Irms (Amp) Typ.
GSTM1250P-R33□	0.33	M	0.70	0.90	80.0	42.0
GSTM1250P-R47□	0.47	M	0.86	1.10	65.0	38.0
GSTM1250P-R56□	0.56	M	1.00	1.50	55.0	36.0
GSTM1250P-R68□	0.68	M	1.40	1.70	54.0	34.0
GSTM1250P-1R0□	1.00	M	1.85	2.50	50.0	29.0
GSTM1250P-1R2□	1.20	M	2.50	3.00	49.0	28.0
GSTM1250P-1R5□	1.50	M	2.80	3.30	48.0	27.0
GSTM1250P-1R8□	1.80	M	4.00	4.90	40.0	21.0
GSTM1250P-2R2□	2.20	M	4.20	5.50	32.0	20.0
GSTM1250P-3R3□	3.30	M	6.80	9.20	32.0	15.0
GSTM1250P-4R7□	4.70	M	11.40	15.00	27.0	12.0
GSTM1250P-5R6□	5.60	M	12.30	16.50	22.0	11.5
GSTM1250P-6R8□	6.80	M	14.50	18.50	21.0	11.0
GSTM1250P-8R2□	8.20	M	16.80	22.50	18.0	9.5
GSTM1250P-100□	10.00	M	21.40	25.50	16.0	9.0

- * Test Condition @100KHz , 1.0Vrms , 25deg.C Ambient
- * Inductance Tolerance : M = +/-20%
- * Irms : Rated Current Loading when temperature rise approximately 40deg.C
- * Isat : Saturated Current measured at the point of L drop approximately 30%

Product Series : GSTM	Brand : GOTREND
File Version : GSTM-SERIES-V3R2	Editor : Teddy Sun
Established Date : 2012.09.26	Description : High Current Inductor
Latest Edit Date : 2020.10.30	Product Type : <input checked="" type="checkbox"/> Standard <input type="checkbox"/> Customize

GSTM1260P-SERIES

Dimension [mm] :



Marking : A. Inductance code & Date code
 (1) Year ex. 2020 = 20
 (2) Weekly serial number 01 ~ 52

A	B	C	D	E	F(Ref.)	G(Ref.)	H(Ref.)
13.5+/-0.5	12.5+/-0.3	5.7+/-0.3	2.3+/-0.3	4.7+/-0.3	14.2	8.0	5.0

Electrical Characteristics :

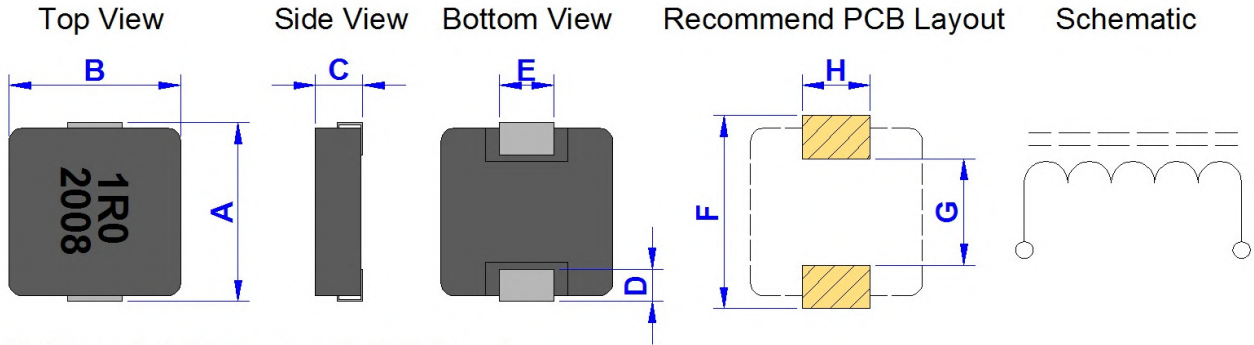
Part No.	Inductance (uH)	Inductance Tolerance	RDC (m Ohm) Typ.	RDC (m Ohm) Max.	Isat 1 (Amp) Typ.	Isat 2 (Amp) Typ.	Irms (Amp) Typ.
GSTM1260P-6R8□	6.8	M	12.0	13.8	19.0	25.0	15.0
GSTM1260P-100□	10.0	M	18.0	20.7	15.5	21.0	11.0
GSTM1260P-120□	12.0	M	20.0	23.0	13.5	18.0	9.5
GSTM1260P-150□	15.0	M	25.0	29.0	13.0	16.0	9.0
GSTM1260P-180□	18.0	M	30.0	35.0	12.0	15.0	8.5
GSTM1260P-220□	22.0	M	34.0	39.5	11.0	14.0	8.0
GSTM1260P-270□	27.0	M	49.0	56.0	9.0	13.0	7.0
GSTM1260P-330□	33.0	M	65.0	75.0	8.0	12.0	6.0
GSTM1260P-470□	47.0	M	80.0	90.0	7.0	11.0	5.5
GSTM1260P-560□	56.0	M	101.0	118.0	6.5	10.0	5.3
GSTM1260P-680□	68.0	M	120.0	140.0	6.0	9.0	5.0
GSTM1260P-820□	82.0	M	138.0	161.0	5.5	8.5	4.5
GSTM1260P-101□	100.0	M	180.0	200.0	5.0	8.0	4.0
GSTM1260P-121□	120.0	M	210.0	235.0	4.5	7.0	3.5
GSTM1260P-151□	150.0	M	300.0	350.0	4.0	6.0	3.0

- * Test Condition @100KHz , 1.0Vrms , 25deg.C Ambient
- * Inductance Tolerance : M = +/-20%
- * Irms : Rated Current Loading when temperature rise approximately 40deg.C
- * Isat : Saturated Current measured at the point of L drop approximately 30%

Product Series : GSTM	Brand : GOTREND
File Version : GSTM-SERIES-V3R2	Editor : Teddy Sun
Established Date : 2012.09.26	Description : High Current Inductor
Latest Edit Date : 2020.10.30	Product Type : <input checked="" type="checkbox"/> Standard <input type="checkbox"/> Customize

GSTM1265P-SERIES

Dimension [mm] :



Marking : A. Inductance code & Date code
 (1) Year ex. 2020 = 20
 (2) Weekly serial number 01 ~ 52

A	B	C	D	E	F(Ref.)	G(Ref.)	H(Ref.)
13.5+/-0.5	12.5+/-0.3	6.2+/-0.3	2.3+/-0.3	4.7+/-0.3	14.2	8.0	5.0

Electrical Characteristics :

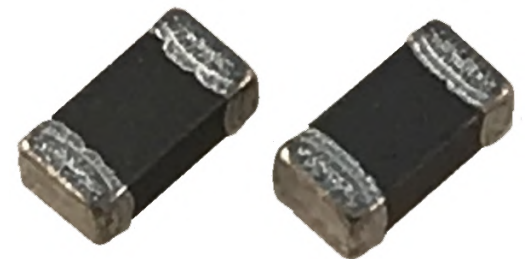
Part No.	Inductance (uH)	Inductance Tolerance	RDC (m Ohm) Typ.	RDC (m Ohm) Max.	Isat (Amp) Typ.	Irms (Amp) Typ.
GSTM1265P-R40	0.40	M	0.70	1.00	64.0	44.0
GSTM1265P-R47	0.47	M	0.90	1.20	63.0	41.0
GSTM1265P-R50	0.50	M	0.92	1.25	60.0	40.0
GSTM1265P-R82	0.82	M	1.50	1.90	50.0	33.0
GSTM1265P-1R0	1.00	M	1.70	2.30	48.0	30.0
GSTM1265P-1R5	1.50	M	2.50	3.00	45.0	27.0
GSTM1265P-2R2	2.20	M	3.80	4.20	37.0	22.0
GSTM1265P-3R3	3.30	M	5.70	6.80	30.0	18.0
GSTM1265P-4R7	4.70	M	7.00	8.40	28.0	13.5
GSTM1265P-6R8	6.80	M	9.50	11.50	18.0	11.5
GSTM1265P-8R2	8.20	M	12.00	15.50	16.0	10.5
GSTM1265P-100	10.00	M	13.20	16.50	15.5	10.0
GSTM1265P-120	12.00	M	16.00	20.00	14.0	9.5
GSTM1265P-130	13.00	M	21.00	24.00	13.0	9.0
GSTM1265P-150	15.00	M	23.20	28.00	12.5	9.0
GSTM1265P-220	22.00	M	32.50	37.00	12.0	9.0
GSTM1265P-250	25.00	M	40.00	47.00	11.5	8.5
GSTM1265P-330	33.00	M	48.00	58.00	11.0	8.0
GSTM1265P-470	47.00	M	76.00	90.00	9.5	6.5
GSTM1265P-680	68.00	M	110.00	130.00	7.8	4.8
GSTM1265P-820	82.00	M	135.00	155.00	6.5	4.5
GSTM1265P-101	100.00	M	145.00	165.00	5.5	4.2

- * Test Condition @100KHz , 1.0Vrms , 25deg.C Ambient
- * Inductance Tolerance : M = +/-20%
- * Irms : Rated Current Loading when temperature rise approximately 40deg.C
- * Isat : Saturated Current measured at the point of L drop approximately 30%

Product Series : GWCM	Brand : GOTREND
File Version : GWCM-SERIES-V1R2	Editor : Teddy Sun
Established Date : 2013.10.17	Description : Wound Chip Inductor
Latest Edit Date : 2020.11.06	Product Type : <input checked="" type="checkbox"/> Standard <input type="checkbox"/> Customize

Features & Application :

- * Small size wound chip inductor with high current.
- * Demension without directional influence on mounterbility and characteristics.
- * For DC-DC converter circuit.
- * DCV / MD / PDA and other portable digital equipment.



(Picture for reference only)

Part No. Example :

PN	:	GWCM	2012	P	<input type="checkbox"/>	-	4R7	M
-----		-----	-----	---	---		-----	---
ID	:	1	2	3	4		5	6
1	:	GOTREND BRAND & PRODUCT TYPE						
2	:	Dimension - L 2.0 mm x W 1.25 mm						
3	:	Pb free < 1000ppm						
4	:	Characteristic Spec , C = High current						
5	:	Inductance 4R7 = 4.7 uH						
6	:	Tolerance Code - M = 20%						

Basic Information :

Made in	China
Pin Foot	SMD
Shielding	Yes
J-STD-020	MSL Level 1
RoHS	Compliant
REACH	Compliant
Halogen	Free

Operating & Storage Condition :

- * Operating Temp -40 ~ +125 deg.C (Including self - temperature rise)
- * Storage Temp 1. -10 ~ +45 deg.C , 50 ~ 60% RH (Product with taping)
2. -40 ~ +125 deg.C (On board)
- * Storage Life Time 12 Month (Less than 40 deg.C and 60% RH)

Attention & Caution :

- * Keep out of Splashing water or salt water
- * Avoid Toxic Gas (Hydrogen sulfide, Sulfurous acid, Chlorine, Ammonia)
- * Avoid Vibrations or shocks which exceed the specified condition
- * Avoid Dew condense
- * Avoid Layout near the edge of PCB
- * Avoid Over flexure after SMT mounting & PCBA



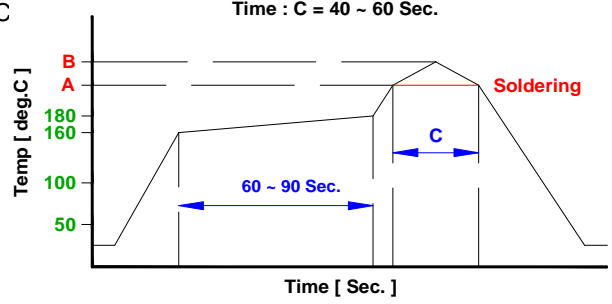
- * Pin foot or SMD pad solderability: Pb free type is best within 6 months after delivery
- * Humidity sensitive , IPC/JEDEC J-STD-020 MSL if over Level 1, recommend bake 30mins@150 degree before PCBA
- * Caution for human life relative applications : PLS contact & consult with GOTREND team in design stage.

Test Condition :

- * Equipment HP4284A , HP42841A - L , Q , DCR , IDC
HP8753D Network analyzer - SRF
- * Standard Atmosphere Conditions:
Ambient Temperature 20 ± 15 deg.C
Humidity RH 65 ± 20%
- * If there may be any doubt on the test result ,
Measurement shall be made within the following limits:
Ambient Temperature 25 ± 5 deg.C
Humidity RH 75 ± 10%

Recommend IR Reflow Curve : GTX-IR-FILE001

Lead Free Solder : A = 217 deg.C , B = 245+/-5 deg.C
Time : C = 40 ~ 60 Sec.

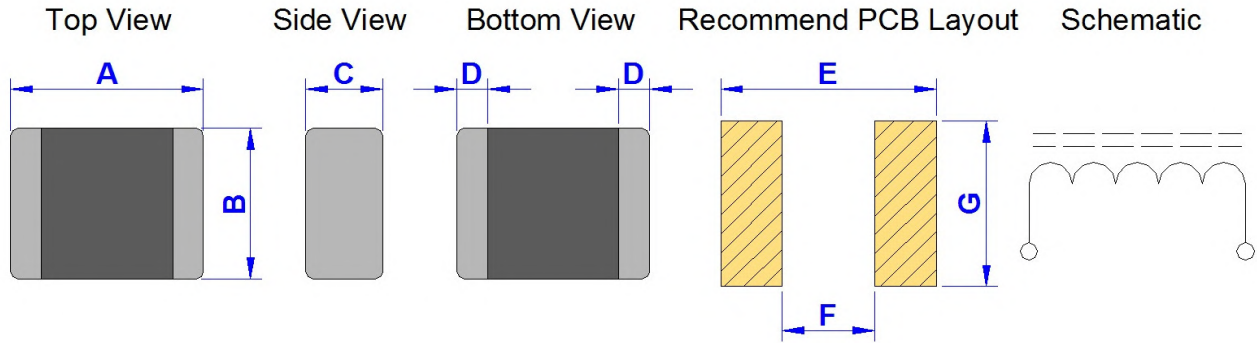


Notice : Iron Soldering , Solder < 30 Watt , Direct touch the terminal x 3 Sec. Max. @ 350 deg.C

Product Series : GWCM	Brand : GOTREND
File Version : GWCM-SERIES-V1R2	Editor : Teddy Sun
Established Date : 2013.10.17	Description : Wound Chip Inductor
Latest Edit Date : 2020.11.06	Product Type : <input checked="" type="checkbox"/> Standard <input type="checkbox"/> Customize

GWCM2012P-SERIES

Dimension [mm] :



Size	A(+/-0.20)	B(+/-0.20)	C(+/-0.20)	D(+/-0.20)	E(Ref.)	F(Ref.)	G(Ref.)
2012	2.00	1.25	1.25	0.50	2.20	1.00	1.45

Electrical Characteristics :

Part No.	Inductance (uH)	Inductance Tolerance (%)	DCR (Ohm) (+/-30%)	SRF (MHz) (Min.)	Isat (mA) (Max.)	Irms (mA) (Max.)	Measuring Frequency (MHz)
GWCM2012P-1R0M	1.0	20%	0.15	100.0	500	900	7.96
GWCM2012P-2R2M	2.2	20%	0.23	80.0	410	770	7.96
GWCM2012P-3R3M	3.3	20%	0.30	55.0	330	650	7.96
GWCM2012P-4R7M	4.7	20%	0.40	45.0	300	580	7.96
GWCM2012P-6R8M	6.8	20%	0.47	35.0	250	540	7.96
GWCM2012P-100□	10.0	10% / 20%	0.70	32.0	190	440	2.52
GWCM2012P-150□	15.0	10% / 20%	1.30	28.0	170	320	2.52
GWCM2012P-220□	22.0	10% / 20%	1.70	16.0	135	280	2.52
GWCM2012P-470□	47.0	10% / 20%	3.70	11.0	90	190	2.52
GWCM2012P-680□	68.0	10% / 20%	6.00	10.0	70	140	2.52
GWCM2012P-101□	100.0	10% / 20%	7.00	8.0	60	130	0.796

* □ Please specify the inductance tolerance code [K or M]

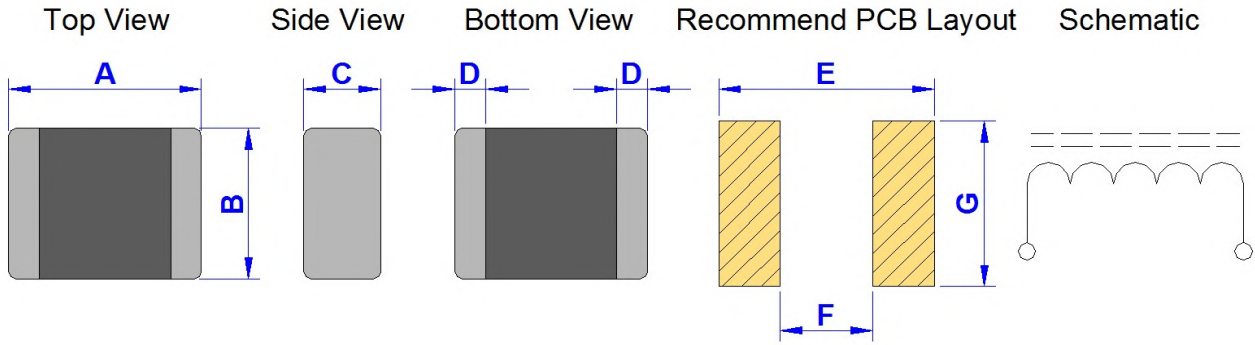
* The Isat (saturation current value) is the maximum DC current value having inductance decrease down to 30%. (at 20deg.C)

* The Irms (temperature rise current value) is the maximum DC current value having temperature increase up to 40deg.C (at 20deg.C)

Product Series : GWCM	Brand : GOTREND
File Version : GWCM-SERIES-V1R2	Editor : Teddy Sun
Established Date : 2013.10.17	Description : Wound Chip Inductor
Latest Edit Date : 2020.11.06	Product Type : <input checked="" type="checkbox"/> Standard <input type="checkbox"/> Customize

GWCM2016P-SERIES

Dimension [mm] :



Size	A(+/-0.20)	B(+/-0.20)	C(+/-0.20)	D(+/-0.20)	E(Ref.)	F(Ref.)	G(Ref.)
2016	2.00	1.60	1.60	0.50	2.20	1.00	1.80

Electrical Characteristics :

Part No.	Inductance (uH)	Inductance Tolerance (%)	DCR (Ohm) (+/-30%)	SRF (MHz) (Min.)	Isat (mA) (Max.)	Irms (mA) (Max.)	Measuring Frequency (MHz)
GWCM2016P-1R0M	1.0	20%	0.09	100.0	600	1100	7.96
GWCM2016P-1R5M	1.5	20%	0.11	80.0	550	1000	7.96
GWCM2016P-2R2M	2.2	20%	0.13	70.0	510	1000	7.96
GWCM2016P-3R3M	3.3	20%	0.20	55.0	400	800	7.96
GWCM2016P-4R7M	4.7	20%	0.25	45.0	340	740	7.96
GWCM2016P-6R8M	6.8	20%	0.35	38.0	300	600	7.96
GWCM2016P-100□	10.0	10% / 20%	0.50	32.0	250	520	2.52
GWCM2016P-150□	15.0	10% / 20%	0.70	28.0	210	440	2.52
GWCM2016P-220□	22.0	10% / 20%	1.00	16.0	165	370	2.52
GWCM2016P-330□	33.0	10% / 20%	1.70	14.0	130	270	2.52
GWCM2016P-470□	47.0	10% / 20%	2.40	11.0	110	240	2.52
GWCM2016P-680□	68.0	10% / 20%	3.00	10.0	90	210	2.52
GWCM2016P-101□	100.0	10% / 20%	4.50	8.0	70	170	0.796

* □ Please specify the inductance tolerance code [K or M]

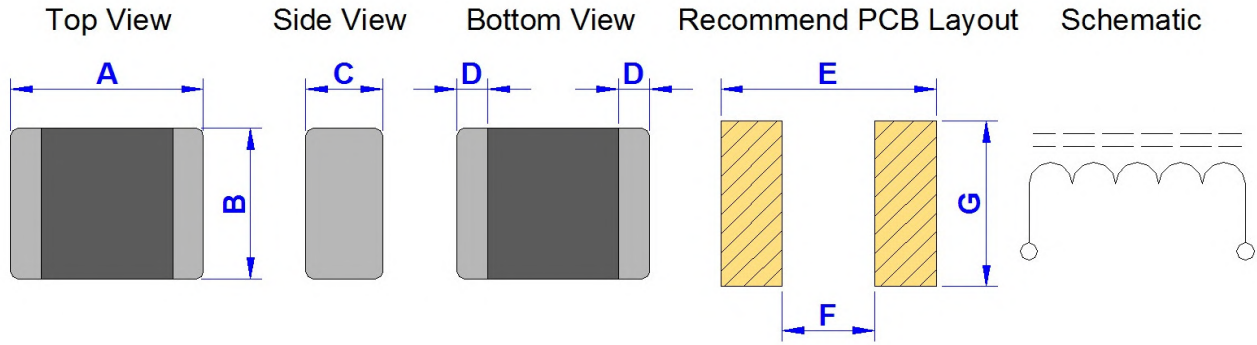
* The Isat (saturation current value) is the maximum DC current value having inductance decrease down to 30%. (at 20deg.C)

* The Iirms (temperature rise current value) is the maximum DC current value having temperature increase up to 40deg.C (at 20deg.C)

Product Series : GWCM	Brand : GOTREND
File Version : GWCM-SERIES-V1R2	Editor : Teddy Sun
Established Date : 2013.10.17	Description : Wound Chip Inductor
Latest Edit Date : 2020.11.06	Product Type : <input checked="" type="checkbox"/> Standard <input type="checkbox"/> Customize

GWCM2518P-SERIES

Dimension [mm] :



Size	A(+/-0.20)	B(+/-0.20)	C(+/-0.20)	D(+/-0.20)	E(Ref.)	F(Ref.)	G(Ref.)
2518	2.50	1.80	1.80	0.50	2.70	1.50	2.00

Electrical Characteristics :

Part No.	Inductance (uH)	Inductance Tolerance (%)	DCR (Ohm) (+/-30%)	SRF (MHz) (Min.)	Isat (mA) (Max.)	Irms (mA) (Max.)	Measuring Frequency (MHz)
GWCM2518P-1R0M	1.0	20%	0.06	100.0	1200	1500	7.96
GWCM2518P-1R5M	1.5	20%	0.07	80.0	650	1400	7.96
GWCM2518P-2R2M	2.2	20%	0.09	68.0	510	1300	7.96
GWCM2518P-3R3M	3.3	20%	0.11	54.0	440	1200	7.96
GWCM2518P-4R7M	4.7	20%	0.13	46.0	340	1100	7.96
GWCM2518P-6R8M	6.8	20%	0.15	38.0	270	930	7.96
GWCM2518P-100□	10.0	10% / 20%	0.25	30.0	250	820	2.52
GWCM2518P-150□	15.0	10% / 20%	0.32	23.0	180	650	2.52
GWCM2518P-220□	22.0	10% / 20%	0.50	19.0	165	580	2.52
GWCM2518P-330□	33.0	10% / 20%	0.70	15.0	130	460	2.52
GWCM2518P-470□	47.0	10% / 20%	0.95	12.0	110	420	2.52
GWCM2518P-680□	68.0	10% / 20%	1.50	9.5	70	310	2.52
GWCM2518P-101□	100.0	10% / 20%	2.10	9.0	60	260	0.796
GWCM2518P-151□	150.0	10% / 20%	3.20	7.0	55	210	0.796
GWCM2518P-221□	220.0	10% / 20%	4.50	5.5	50	180	0.796
GWCM2518P-331□	330.0	10% / 20%	7.00	4.5	40	140	0.796
GWCM2518P-471□	470.0	10% / 20%	10.00	3.5	35	120	0.796
GWCM2518P-681□	680.0	10% / 20%	17.00	3.0	30	90	0.796
GWCM2518P-102□	1000.0	10% / 20%	24.00	2.4	25	75	0.252

* □ Please specify the inductance tolerance code [K or M]

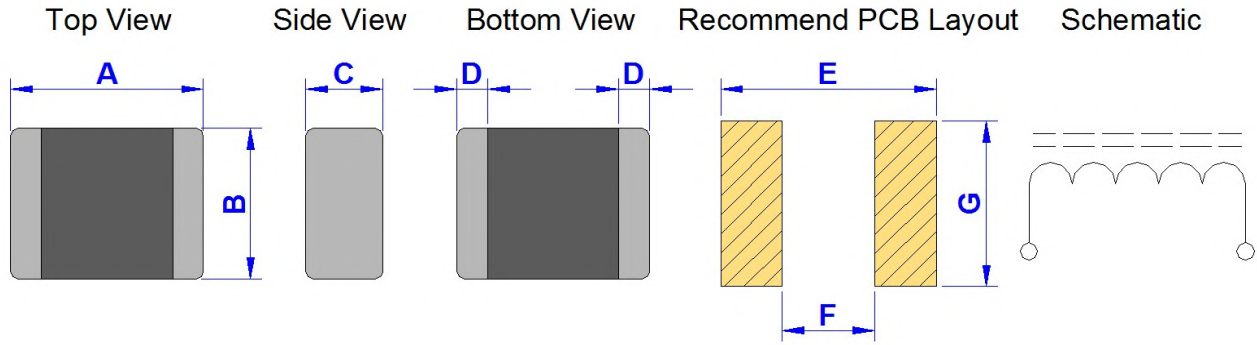
* The Isat (saturation current value) is the maximum DC current value having inductance decrease down to 30%. (at 20deg.C)

* The Irms (temperature rise current value) is the maximum DC current value having temperature increase up to 40deg.C (at 20deg.C)

Product Series : GWCM	Brand : GOTREND
File Version : GWCM-SERIES-V1R2	Editor : Teddy Sun
Established Date : 2013.10.17	Description : Wound Chip Inductor
Latest Edit Date : 2020.11.06	Product Type : <input checked="" type="checkbox"/> Standard <input type="checkbox"/> Customize

GWCM3225PC-SERIES

Dimension [mm] :



Size	A(+/-0.20)	B(+/-0.20)	C(+/-0.20)	D(+/-0.20)	E(Ref.)	F(Ref.)	G(Ref.)
3225	3.20	2.50	2.50	0.60	3.40	1.70	2.70

Electrical Characteristics :

Part No.	Inductance (uH)	Inductance Tolerance (%)	DCR (Ohm) (+/-30%)	SRF (MHz) (Min.)	Isat (mA) (Max.)	Irms (mA) (Max.)	Measuring Frequency (MHz)
GWCM3225PC-1R0M	1.0	20%	0.055	250.0	2000	1440	0.1
GWCM3225PC-1R5M	1.5	20%	0.06	220.0	2000	1310	0.1
GWCM3225PC-2R2M	2.2	20%	0.08	190.0	2000	1130	0.1
GWCM3225PC-3R3M	3.3	20%	0.095	160.0	2000	1040	0.1
GWCM3225PC-4R7M	4.7	20%	0.10	70.0	1250	1010	0.1
GWCM3225PC-6R8M	6.8	20%	0.12	50.0	930	940	0.1
GWCM3225PC-100□	10.0	10% / 20%	0.133	23.0	900	900	0.1
GWCM3225PC-150□	15.0	10% / 20%	0.195	20.0	730	850	0.1
GWCM3225PC-220□	22.0	10% / 20%	0.27	17.0	620	780	0.1
GWCM3225PC-330□	33.0	10% / 20%	0.41	13.0	500	570	0.1
GWCM3225PC-470□	47.0	10% / 20%	0.67	10.0	390	480	0.1
GWCM3225PC-680□	68.0	10% / 20%	1.00	8.0	320	410	0.1
GWCM3225PC-101□	100.0	10% / 20%	1.40	6.0	270	340	0.1
GWCM3225PC-221□	220.0	10% / 20%	2.50	3.0	190	190	0.1
GWCM3225PC-821□	820.0	10% / 20%	12.00	1.8	110	110	0.1
GWCM3225PC-102□	1000.0	10% / 20%	13.00	1.6	100	100	0.1

* □ Please specify the inductance tolerance code [K or M]

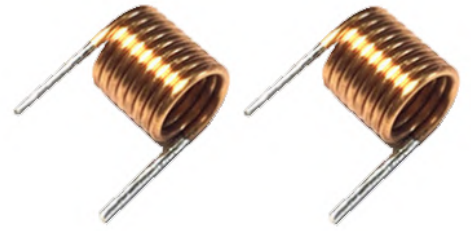
* The Isat (saturation current value) is the maximum DC current value having inductance decrease down to 30%. (at 20deg.C)

* The Irms (temperature rise current value) is the maximum DC current value having temperature increase up to 40deg.C (at 20deg.C)

Product Series : GAC	Brand : GOTREND
File Version : GAC-SERIES-V1R0	Editor : Teddy Sun
Established Date : 2014.12.29	Description : Air Coil
Latest Edit Date : 2020.11.20	Product Type : <input type="checkbox"/> Standard <input checked="" type="checkbox"/> Customize

Features & Application :

- * Fit for power line & signal line circuit
- * To help you go pass the CE/FCC standard.
- * Mobile Device / Handheld Device / LowProfile Device / Panel...
- * Set-top Box / CATV



(Picture for reference only)

Part No. Example :

PN	:	GAC	0524	P	-	08A	26	Y	FB
-----		-----	-----	---		-----	-----	---	-----
ID	:	1	2	3		4	5	6	7
1	:	GOTREND SERIES : GAC							
2	:	Dimension Code : Width x Length							
3	:	P = Pb free < 1000ppm							
4	:	Wire Size & Count : 08A = 0.8 mm x 1P							
5	:	Wire Turns : 26 = 26.5 Turns							
6	:	Wire Color : Y = Copper Yellow , R = Copper Red							
7	:	Pin Foot : DP = Vertical , FB = Horizontal							

Basic Information :

Made in	China
Pin Foot	DIP
Shielding	No
J-STD-020	MSL Level 1
RoHS	Compliant
REACH	Compliant
Halogen	Free

Operating & Storage Condition :

- * Operating Temp -40 ~ +85 deg.C (Including self - temperature rise)
- * Storage Temp 1. -10 ~ +45 deg.C , 50 ~ 60% RH (Product with taping)
2. -40 ~ +85 deg.C (On board)
- * Storage Life Time 12 Month (Less than 40 deg.C and 60% RH)

Attention & Caution :

- * Keep out of Splashing water or salt water
- * Avoid Toxic Gas (Hydrogen sulfide, Sulfurous acid, Chlorine, Ammonia)
- Vibrations or shocks which exceed the specified condition
- Dew condense
- Layout near the edge of PCB
- Over flexure after SMT mounting & PCBA



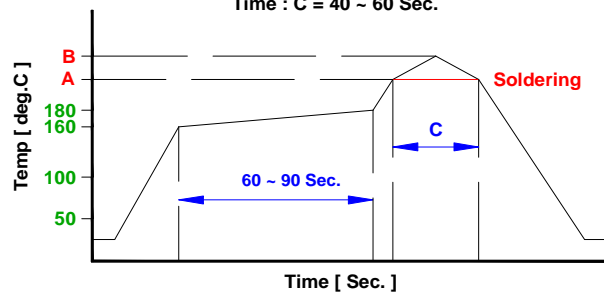
- * Pin foot or SMD pad solderability: Pb free type is best within 6 months after delivery
- * Humidity sensitive , IPC/JEDEC J-STD-020 MSL if over Level 1, recommend bake 30mins@150 degree before PCBA
- * Caution for human life relative applications : PLS contact & consult with GOTREND team in design stage.

Test Condition :

- * Equipment HP4284A , HP42841A - L , DCR , IDC
HP8753D Network analyzer - SRF
- * Standard Atmosphere Conditions:
Ambient Temperature 20 ± 15 deg.C
Humidity RH 65 ± 20%
- * If there may be any doubt on the test result ,
Measurement shall be made within the following limits:
Ambient Temperature 25 ± 5 deg.C
Humidity RH 75 ± 10%

Recommend IR Reflow Curve : GTX-IR-FILE001

Lead Free Solder : A = 217 deg.C , B = 245+/-5 deg.C
Time : C = 40 ~ 60 Sec.



Notice : Iron Soldering , Solder < 30 Watt ,
Direct touch the terminal x 3 Sec. Max. @ 350 deg.C

Product Series : GAL	Brand : GOTREND
File Version : GAL-SERIES-V2R7	Editor : Teddy Sun
Established Date : 1997.06.23	Description : Axial Lead Inductor Choke
Latest Edit Date : 2020.10.28	Product Type : <input checked="" type="checkbox"/> Standard <input type="checkbox"/> Customize

Features & Application :

- * Axial lead for through hole board facility
- * Fit for power line & signal line circuit
- * To help you go pass the CE/FCC standard.
- * PC / IA / IPC / RF...etc.



(Picture for reference only)

Part No. Example :

PN	:	GAL	<input type="checkbox"/>	0204	P	-	180	K
-----		-----	-----	-----	---		-----	---
ID	:	1	2	3	4		5	6
1	:	GOTREND TYPE:GAL						
2	:	Form : N = Normal Form , F / U = F / U Forming						
3	:	Dimension : Length-Width						
4	:	P = Pb free < 1000ppm						
5	:	Inductance : 180 = 18uH						
6	:	Tolerance : K = 10% (J = 5% ; K =10% ; M = 20%)						

Basic Information :

Made in	China
Pin Foot	DIP
Shielding	No
J-STD-020	MSL Level 1
RoHS	Compliant
REACH	Compliant
Halogen	Free

Operating & Storage Condition :

- * Operating Temp -40 ~ +85 deg.C (Including self - temperature rise)
- * Storage Temp 1. -10 ~ +45 deg.C , 50 ~ 60% RH (Product with taping)
2. -40 ~ +85 deg.C (On board)
- * Storage Life Time 12 Month (Less than 40 deg.C and 60% RH)

Attention & Caution :

- * Keep out of Splashing water or salt water
- * Avoid Toxic Gas (Hydrogen sulfide, Sulfurous acid, Chlorine, Ammonia)
- * Avoid Vibrations or shocks which exceed the specified condition
- * Avoid Dew condense
- * Avoid Layout near the edge of PCB
- * Avoid Over flexure after SMT mounting & PCBA



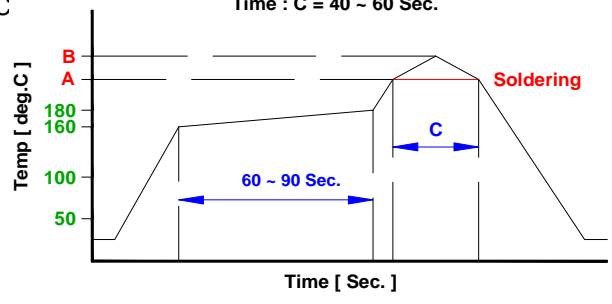
- * Pin foot or SMD pad solderability: Pb free type is best within 6 months after delivery
- * Humidity sensitive , IPC/JEDEC J-STD-020 MSL if over Level 1, recommend bake 30mins@150 degree before PCBA
- * Caution for human life relative applications : PLS contact & consult with GOTREND team in design stage.

Test Condition :

- * Equipment HP4284A , HP42841A - L , Q , DCR , IDC
HP8753D Network analyzer - SRF
- * Standard Atmosphere Conditions:
Ambient Temperature 20 ± 15 deg.C
Humidity RH 65 ± 20%
- * If there may be any doubt on the test result ,
Measurement shall be made within the following limits:
Ambient Temperature 25 ± 5 deg.C
Humidity RH 75 ± 10%

Recommend IR Reflow Curve : GTX-IR-FILE001

Lead Free Solder : A = 217 deg.C , B = 245+/-5 deg.C
Time : C = 40 ~ 60 Sec.

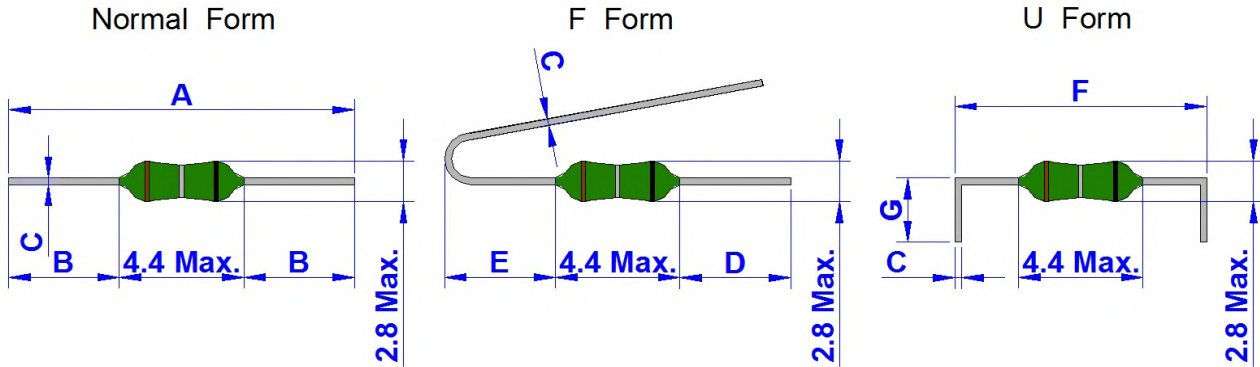


Notice : Iron Soldering , Solder < 30 Watt ,
Direct touch the terminal x 3 Sec. Max. @ 350 deg.C

Product Series : GAL	Brand : GOTREND
File Version : GAL-SERIES-V2R7	Editor : Teddy Sun
Established Date : 1997.06.23	Description : Axial Lead Inductor Choke
Latest Edit Date : 2020.10.28	Product Type : <input checked="" type="checkbox"/> Standard <input type="checkbox"/> Customize

GAL□0204P- SERIES

Dimension [mm] :



Size	A	B	C	D	E	F	G
0204	62.0+/-2.0	29.5+/-3.0	0.5+/-0.05	3.6 Min.	6.0 Max.	10.0+/-1.0	6.0+/-1.0

Electrical Characteristics :

Part No.	Inductance (uH)	Test Freq. (MHz)	Q Min.	SRF (MHz) Min.	DCR (Ohm) Max.	IDC (mA) Max.	COLOR CODE		
							1st	2nd	3rd
GAL□0204P-R10□	0.10	25.2	50	250.0	0.030	700	Bn	Bk	S
GAL□0204P-R12□	0.12	25.2	55	230.0	0.035	660	Bn	R	S
GAL□0204P-R15□	0.15	25.2	55	200.0	0.040	620	Bn	Gn	S
GAL□0204P-R18□	0.18	25.2	55	180.0	0.045	600	Bn	Gy	S
GAL□0204P-R22□	0.22	25.2	55	160.0	0.050	400	R	R	S
GAL□0204P-R27□	0.27	25.2	50	150.0	0.065	380	R	V	S
GAL□0204P-R33□	0.33	25.2	50	150.0	0.075	370	O	O	S
GAL□0204P-R39□	0.39	25.2	50	150.0	0.080	350	O	W	S
GAL□0204P-R47□	0.47	25.2	60	150.0	0.085	330	Y	V	S
GAL□0204P-R56□	0.56	25.2	60	150.0	0.090	320	Gn	Bu	S
GAL□0204P-R68□	0.68	25.2	50	120.0	0.100	310	Bu	Gy	S
GAL□0204P-R82□	0.82	25.2	50	110.0	0.150	290	Gy	R	S
GAL□0204P-1R0□	1.00	25.2	50	110.0	0.220	270	Bn	Bk	Gd
GAL□0204P-1R2□	1.20	7.96	40	100.0	0.300	260	Bn	R	Gd
GAL□0204P-1R5□	1.50	7.96	40	80.0	0.350	250	Bn	Gn	Gd
GAL□0204P-1R8□	1.80	7.96	40	65.0	0.450	240	Bn	Gy	Gd
GAL□0204P-2R2□	2.20	7.96	40	55.0	0.550	230	R	R	Gd
GAL□0204P-2R7□	2.70	7.96	40	50.0	0.600	220	R	V	Gd
GAL□0204P-3R3□	3.30	7.96	40	42.0	0.650	210	O	O	Gd
GAL□0204P-3R9□	3.90	7.96	45	38.0	0.850	200	O	W	Gd
GAL□0204P-4R7□	4.70	7.96	45	34.0	1.000	190	Y	V	Gd
GAL□0204P-5R6□	5.60	7.96	45	32.0	1.150	180	Gn	Bu	Gd
GAL□0204P-6R8□	6.80	7.96	40	30.0	1.200	175	Bu	Gy	Gd
GAL□0204P-8R2□	8.20	7.96	40	26.0	1.250	165	Gy	R	Gd
GAL□0204P-100□	10.00	7.96	40	24.0	1.500	160	Bn	Bk	Bk
GAL□0204P-120□	12.00	2.52	50	22.0	2.200	150	Bn	R	Bk

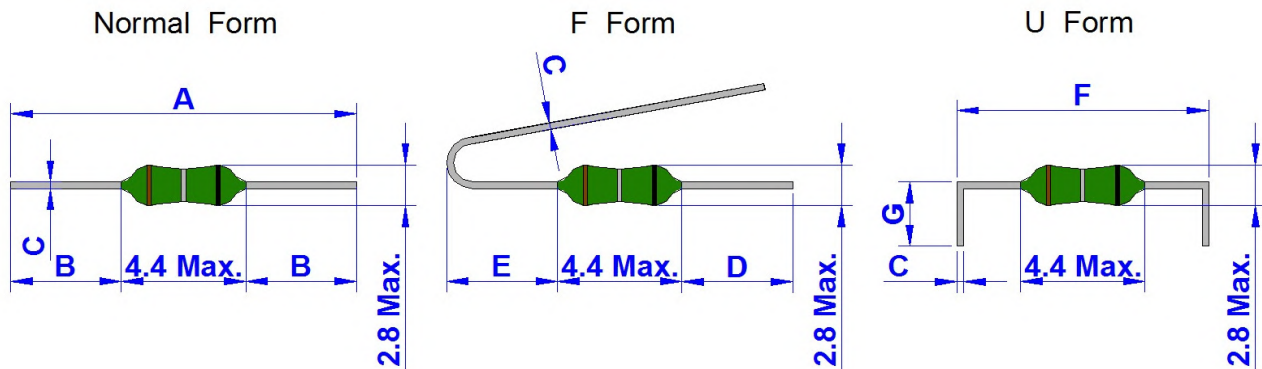
□ = J = 5% , K = 10% , M = 20%

IDC : Base on temp rise up 40 deg.C max.

Product Series : GAL	Brand : GOTREND
File Version : GAL-SERIES-V2R7	Editor : Teddy Sun
Established Date : 1997.06.23	Description : Axial Lead Inductor Choke
Latest Edit Date : 2020.10.28	Product Type : <input checked="" type="checkbox"/> Standard <input type="checkbox"/> Customize

GAL□0204P- SERIES

Dimension [mm] :



Size	A	B	C	D	E	F	G
0204	62.0+/-2.0	29.5+/-3.0	0.5+/-0.05	3.6 Min.	6.0 Max.	10.0+/-1.0	6.0+/-1.0

Electrical Characteristics :

Part No.	Inductance (uH)	Test Freq. (MHz)	Q Min.	SRF (MHz) Min.	DCR (Ohm) Max.	IDC (mA) Max.	COLOR CODE		
							1st	2nd	3rd
GAL□0204P-150□	15.00	2.52	50	20.0	2.500	145	Bn	Gn	Bk
GAL□0204P-180□	18.00	2.52	50	18.0	2.800	140	Bn	Gy	Bk
GAL□0204P-220□	22.00	2.52	50	17.0	3.000	130	R	R	Bk
GAL□0204P-270□	27.00	2.52	55	14.0	3.500	80	R	V	Bk
GAL□0204P-330□	33.00	2.52	55	14.0	3.800	76	O	O	Bk
GAL□0204P-390□	39.00	2.52	50	13.0	4.200	74	O	W	Bk
GAL□0204P-470□	47.00	2.52	50	12.0	5.800	70	Y	V	Bk
GAL□0204P-560□	56.00	2.52	50	11.0	6.400	68	Gn	Bu	Bk
GAL□0204P-680□	68.00	2.52	50	10.0	7.200	64	Bu	Gy	Bk
GAL□0204P-820□	82.00	2.52	50	9.5	8.500	46	Gy	R	Bk
GAL□0204P-101□	100.00	2.52	50	9.0	11.000	44	Bn	Bk	Bn
GAL□0204P-121□	120.00	0.796	40	6.5	13.000	42	Bn	R	Bn
GAL□0204P-151□	150.00	0.796	40	6.0	16.000	39	Bn	Gn	Bn
GAL□0204P-181□	180.00	0.796	40	5.2	18.000	37	Bn	Gy	Bn
GAL□0204P-221□	220.00	0.796	40	4.5	20.000	35	R	R	Bn
GAL□0204P-271□	270.00	0.796	30	3.5	29.000	28	R	V	Bn
GAL□0204P-331□	330.00	0.796	30	3.0	30.000	26	O	O	Bn
GAL□0204P-391□	390.00	0.796	30	2.7	32.000	25	O	W	Bn
GAL□0204P-471□	470.00	0.796	30	2.6	35.000	24	Y	V	Bn
GAL□0204P-561□	560.00	0.796	30	2.5	40.000	23	Gn	Bu	Bn
GAL□0204P-681□	680.00	0.796	30	2.2	42.000	22	Bu	Gy	Bn
GAL□0204P-821□	820.00	0.796	30	2.1	46.000	21	Gy	R	Bn
GAL□0204P-102□	1000.00	0.796	30	2.0	52.000	20	Bn	Bk	R

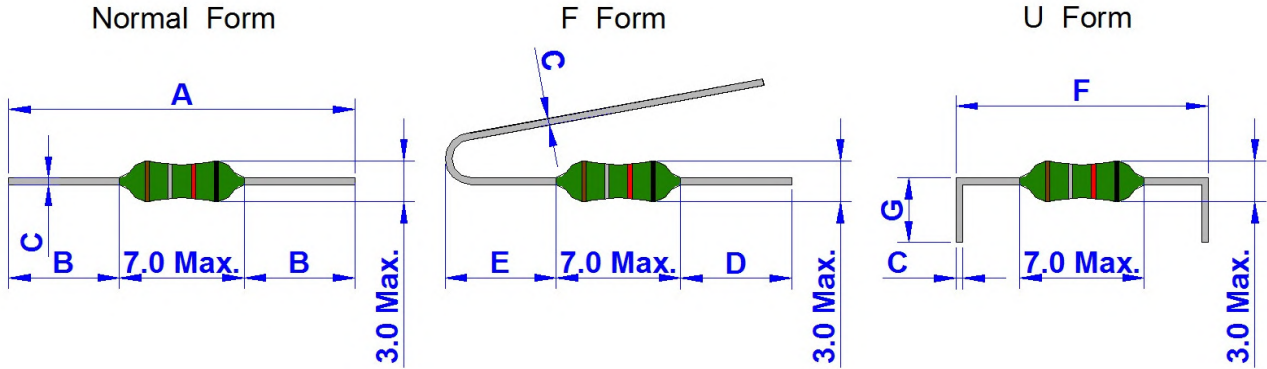
□ = J = 5% , K = 10% , M = 20%

IDC : Base on temp rise up 40 deg.C max.

Product Series : GAL	Brand : GOTREND
File Version : GAL-SERIES-V2R7	Editor : Teddy Sun
Established Date : 1997.06.23	Description : Axial Lead Inductor Choke
Latest Edit Date : 2020.10.28	Product Type : <input checked="" type="checkbox"/> Standard <input type="checkbox"/> Customize

GAL□0307P- SERIES

Dimension [mm] :



Size	A	B	C	D	E	F	G
0307	62.0+/-2.0	28.0+/-3.0	0.5+/-0.05	3.6 Min.	6.0 Max.	10.0+/-1.0	6.0+/-1.0

Electrical Characteristics :

Part No.	Inductance (uH)	Test Freq. (MHz)	Q Min.	SRF (MHz) Min.	DCR (Ohm) Max.	IDC (mA) Max.	COLOR CODE			
							1st	2nd	3rd	4th
GAL□0307P-R10□	0.10	25.2	45	480.0	0.060	1400	Bn	Bk	S	Bk
GAL□0307P-R12□	0.12	25.2	45	450.0	0.060	1350	Bn	R	S	Bk
GAL□0307P-R15□	0.15	25.2	45	420.0	0.070	1270	Bn	Gn	S	Bk
GAL□0307P-R18□	0.18	25.2	45	400.0	0.070	1200	Bn	Gy	S	Bk
GAL□0307P-R22□	0.22	25.2	45	380.0	0.080	1150	R	R	S	Bk
GAL□0307P-R27□	0.27	25.2	45	360.0	0.090	1110	R	V	S	Bk
GAL□0307P-R33□	0.33	25.2	45	320.0	0.100	1110	O	O	S	Bk
GAL□0307P-R39□	0.39	25.2	45	310.0	0.120	1000	O	W	S	Bk
GAL□0307P-R47□	0.47	25.2	45	300.0	0.150	1000	Y	V	S	Bk
GAL□0307P-R56□	0.56	25.2	45	280.0	0.180	950	Gn	Bu	S	Bk
GAL□0307P-R68□	0.68	25.2	45	240.0	0.200	900	Bu	Gy	S	Bk
GAL□0307P-R82□	0.82	25.2	45	200.0	0.220	900	Gy	R	S	Bk
GAL□0307P-1R0□	1.00	25.2	45	180.0	0.250	815	Bn	Bk	Gd	S
GAL□0307P-1R2□	1.20	7.96	45	160.0	0.280	740	Bn	R	Gd	S
GAL□0307P-1R5□	1.50	7.96	45	140.0	0.300	700	Bn	Gn	Gd	S
GAL□0307P-1R8□	1.80	7.96	45	120.0	0.350	655	Bn	Gy	Gd	S
GAL□0307P-2R2□	2.20	7.96	45	110.0	0.400	630	R	R	Gd	S
GAL□0307P-2R7□	2.70	7.96	45	85.0	0.450	595	R	V	Gd	S
GAL□0307P-3R3□	3.30	7.96	45	74.0	0.500	575	O	O	Gd	S
GAL□0307P-3R9□	3.90	7.96	45	62.0	0.550	555	O	W	Gd	S
GAL□0307P-4R7□	4.70	7.96	45	48.0	0.600	530	Y	V	Gd	S
GAL□0307P-5R6□	5.60	7.96	45	35.0	0.650	500	Gn	Bu	Gd	S
GAL□0307P-6R8□	6.80	7.96	45	28.0	0.700	470	Bu	Gy	Gd	S
GAL□0307P-8R2□	8.20	7.96	45	20.0	0.800	425	Gy	R	Gd	S
GAL□0307P-100□	10.00	7.96	45	18.0	0.850	370	Bn	Bk	Bk	S
GAL□0307P-120□	12.00	2.52	45	16.0	0.900	350	Bn	R	Bk	S
GAL□0307P-150□	15.00	2.52	45	14.0	1.000	335	Bn	Gn	Bk	S

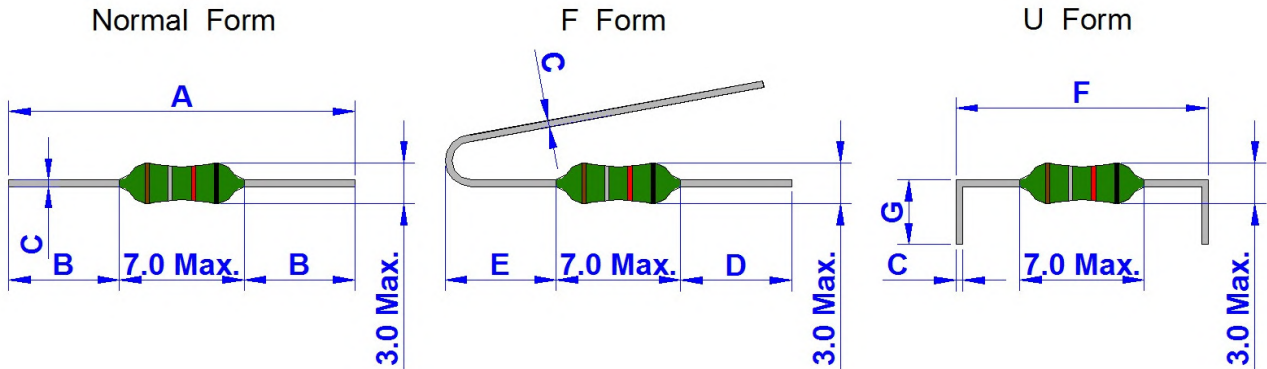
□ = J = 5% , K = 10% , M = 20%

IDC : Base on temp rise up 40 deg.C max.

Product Series : GAL	Brand : GOTREND
File Version : GAL-SERIES-V2R7	Editor : Teddy Sun
Established Date : 1997.06.23	Description : Axial Lead Inductor Choke
Latest Edit Date : 2020.10.28	Product Type : <input checked="" type="checkbox"/> Standard <input type="checkbox"/> Customize

GAL□0307P- SERIES

Dimension [mm] :



Size	A	B	C	D	E	F	G
0307	62.0+/-2.0	28.0+/-3.0	0.5+/-0.05	3.6 Min.	6.0 Max.	10.0+/-1.0	6.0+/-1.0

Electrical Characteristics :

Part No.	Inductance (uH)	Test Freq. (MHz)	Q Min.	SRF (MHz) Min.	DCR (Ohm) Max.	IDC (mA) Max.	COLOR CODE			
							1st	2nd	3rd	4th
GAL□0307P-180□	18.00	2.52	45	12.0	1.200	315	Bn	Gy	Bk	S
GAL□0307P-220□	22.00	2.52	45	10.0	1.350	285	R	R	Bk	S
GAL□0307P-270□	27.00	2.52	45	9.0	1.800	270	R	V	Bk	S
GAL□0307P-330□	33.00	2.52	45	8.0	2.100	255	O	O	Bk	S
GAL□0307P-390□	39.00	2.52	45	7.5	2.300	240	O	W	Bk	S
GAL□0307P-470□	47.00	2.52	50	7.0	2.600	205	Y	V	Bk	S
GAL□0307P-560□	56.00	2.52	50	6.5	2.900	195	Gn	Bu	Bk	S
GAL□0307P-680□	68.00	2.52	50	6.0	3.200	185	Bu	Gy	Bk	S
GAL□0307P-820□	82.00	2.52	50	5.5	3.800	175	Gy	R	Bk	S
GAL□0307P-101□	100.00	2.52	50	5.0	4.200	165	Bn	Bk	Bn	S
GAL□0307P-121□	120.00	0.796	50	4.8	4.500	160	Bn	R	Bn	S
GAL□0307P-151□	150.00	0.796	50	4.5	5.000	150	Bn	Gn	Bn	S
GAL□0307P-181□	180.00	0.796	50	4.0	6.000	140	Bn	Gy	Bn	S
GAL□0307P-221□	220.00	0.796	50	3.5	7.000	130	R	R	Bn	S
GAL□0307P-271□	270.00	0.796	50	3.0	7.500	120	R	V	Bn	S
GAL□0307P-331□	330.00	0.796	50	2.8	8.000	100	O	O	Bn	S
GAL□0307P-391□	390.00	0.796	50	2.6	10.000	95	O	W	Bn	S
GAL□0307P-471□	470.00	0.796	50	2.4	13.000	90	Y	V	Bn	S
GAL□0307P-561□	560.00	0.796	50	2.0	15.000	85	Gn	Bu	Bn	S
GAL□0307P-681□	680.00	0.796	50	1.8	16.000	75	Bu	Gy	Bn	S
GAL□0307P-821□	820.00	0.796	50	1.6	23.000	65	Gy	R	Bn	S
GAL□0307P-102□	1000.00	0.796	50	1.4	26.000	60	Bn	Bk	R	S

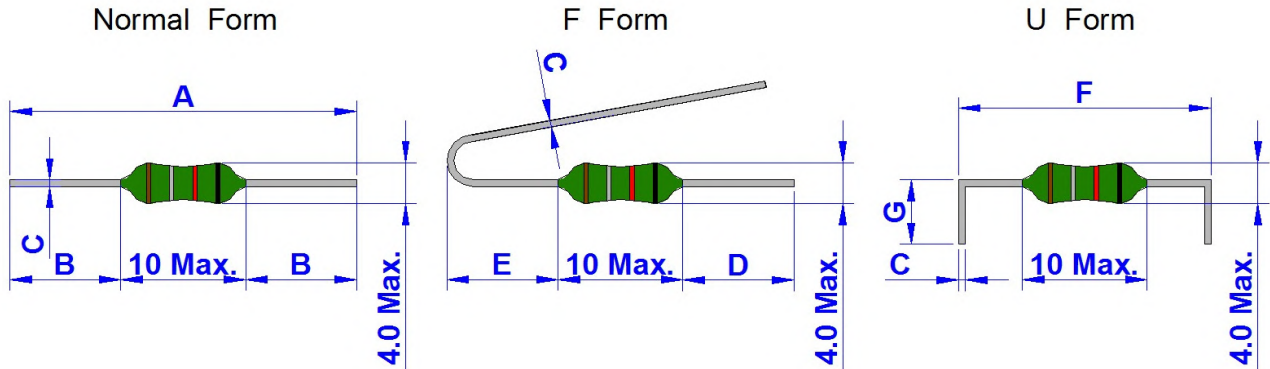
□ = J = 5% , K = 10% , M = 20%

IDC : Base on temp rise up 40 deg.C max.

Product Series : GAL	Brand : GOTREND
File Version : GAL-SERIES-V2R7	Editor : Teddy Sun
Established Date : 1997.06.23	Description : Axial Lead Inductor Choke
Latest Edit Date : 2020.10.28	Product Type : <input checked="" type="checkbox"/> Standard <input type="checkbox"/> Customize

GAL□0410P- SERIES

Dimension [mm] :



Size	A	B	C	D	E	F	G
0410	62.0+/-2.0	26.0+/-3.0	0.65+/-0.05	4.0 Min.	6.0 Max.	12.5+/-1.0	6.0+/-1.0

Electrical Characteristics :

Part No.	Inductance (uH)	Test Freq. (MHz)	Q Min.	SRF (MHz) Min.	DCR (Ohm) Max.	IDC (mA) Max.	COLOR CODE			
							1st	2nd	3rd	4th
GAL□0410P-R10□	0.10	25.2	50	480.0	0.060	1700	Bn	Bk	S	Bk
GAL□0410P-R12□	0.12	25.2	50	450.0	0.060	1640	Bn	R	S	Bk
GAL□0410P-R15□	0.15	25.2	50	420.0	0.070	1560	Bn	Gn	S	Bk
GAL□0410P-R18□	0.18	25.2	50	400.0	0.070	1480	Bn	Gy	S	Bk
GAL□0410P-R22□	0.22	25.2	50	380.0	0.080	1400	R	R	S	Bk
GAL□0410P-R27□	0.27	25.2	50	340.0	0.090	1320	R	V	S	Bk
GAL□0410P-R33□	0.33	25.2	50	300.0	0.100	1280	O	O	S	Bk
GAL□0410P-R39□	0.39	25.2	50	280.0	0.120	1200	O	W	S	Bk
GAL□0410P-R47□	0.47	25.2	50	250.0	0.130	1150	Y	V	S	Bk
GAL□0410P-R56□	0.56	25.2	50	230.0	0.140	1100	Gn	Bu	S	Bk
GAL□0410P-R68□	0.68	25.2	50	210.0	0.150	1030	Bu	Gy	S	Bk
GAL□0410P-R82□	0.82	25.2	50	172.0	0.160	980	Gy	R	S	Bk
GAL□0410P-1R0□	1.00	25.2	50	157.0	0.170	920	Bn	Bk	Gd	S
GAL□0410P-1R2□	1.20	7.96	50	144.0	0.180	880	Bn	R	Gd	S
GAL□0410P-1R5□	1.50	7.96	50	131.0	0.200	830	Bn	Gn	Gd	S
GAL□0410P-1R8□	1.80	7.96	50	121.0	0.220	790	Bn	Gy	Gd	S
GAL□0410P-2R2□	2.20	7.96	50	110.0	0.240	750	R	R	Gd	S
GAL□0410P-2R7□	2.70	7.96	60	100.0	0.250	720	R	V	Gd	S
GAL□0410P-3R3□	3.30	7.96	60	94.0	0.300	670	O	O	Gd	S
GAL□0410P-3R9□	3.90	7.96	60	86.0	0.350	640	O	W	Gd	S
GAL□0410P-4R7□	4.70	7.96	70	80.0	0.400	650	Y	V	Gd	S
GAL□0410P-5R6□	5.60	7.96	70	74.0	0.450	590	Gn	Bu	Gd	S
GAL□0410P-6R8□	6.80	7.96	70	68.0	0.500	550	Bu	Gy	Gd	S
GAL□0410P-8R2□	8.20	7.96	80	53.0	0.600	530	Gy	R	Gd	S
GAL□0410P-100□	10.00	7.96	80	40.0	0.650	500	Bn	Bk	Bk	S
GAL□0410P-120□	12.00	2.52	70	34.0	0.700	480	Bn	R	Bk	S
GAL□0410P-150□	15.00	2.52	70	20.0	0.750	460	Bn	Gn	Bk	S

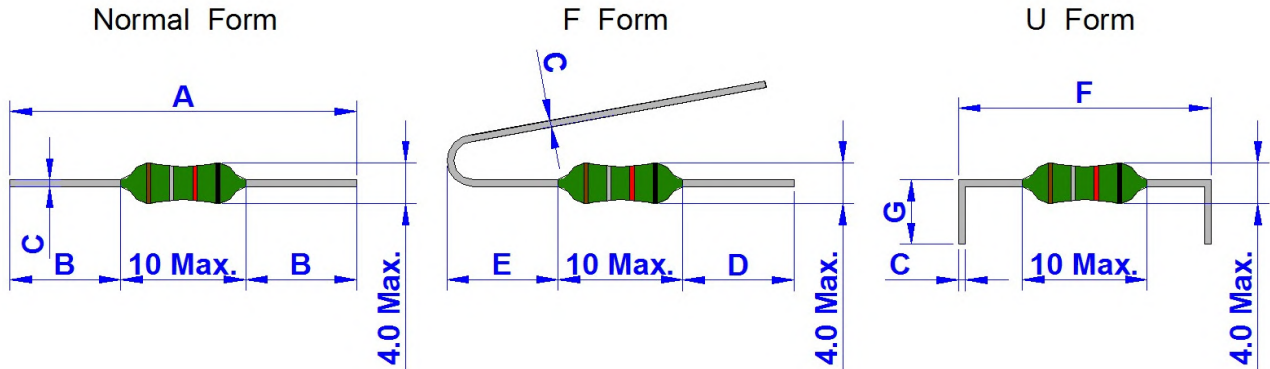
□ =J = 5% , K = 10% , M = 20%

IDC : Base on temp rise up 40 deg.C max.

Product Series : GAL	Brand : GOTREND
File Version : GAL-SERIES-V2R7	Editor : Teddy Sun
Established Date : 1997.06.23	Description : Axial Lead Inductor Choke
Latest Edit Date : 2020.10.28	Product Type : <input checked="" type="checkbox"/> Standard <input type="checkbox"/> Customize

GAL□0410P- SERIES

Dimension [mm] :



Size	A	B	C	D	E	F	G
0410	62.0+/-2.0	26.0+/-3.0	0.65+/-0.05	4.0 Min.	6.0 Max.	12.5+/-1.0	6.0+/-1.0

Electrical Characteristics :

Part No.	Inductance (uH)	Test Freq. (MHz)	Q Min.	SRF (MHz) Min.	DCR (Ohm) Max.	IDC (mA) Max.	COLOR CODE			
							1st	2nd	3rd	4th
GAL□0410P-180□	18.00	2.52	60	14.0	0.800	430	Bn	Gy	Bk	S
GAL□0410P-220□	22.00	2.52	60	9.9	0.900	410	R	R	Bk	S
GAL□0410P-270□	27.00	2.52	50	7.6	1.000	390	R	V	Bk	S
GAL□0410P-330□	33.00	2.52	50	6.5	1.100	370	O	O	Bk	S
GAL□0410P-390□	39.00	2.52	50	6.5	1.200	350	O	W	Bk	S
GAL□0410P-470□	47.00	2.52	45	6.3	1.300	340	Y	V	Bk	S
GAL□0410P-560□	56.00	2.52	45	6.2	1.500	320	Gn	Bu	Bk	S
GAL□0410P-680□	68.00	2.52	40	5.7	1.800	305	Bu	Gy	Bk	S
GAL□0410P-820□	82.00	2.52	35	5.3	2.000	290	Gy	R	Bk	S
GAL□0410P-101□	100.00	2.52	30	4.8	2.500	275	Bn	Bk	Bn	S
GAL□0410P-121□	120.00	0.796	60	3.8	3.000	185	Bn	R	Bn	S
GAL□0410P-151□	150.00	0.796	60	3.5	4.000	175	Bn	Gn	Bn	S
GAL□0410P-181□	180.00	0.796	60	3.0	4.500	165	Bn	Gy	Bn	S
GAL□0410P-221□	220.00	0.796	60	2.8	5.000	155	R	R	Bn	S
GAL□0410P-271□	270.00	0.796	60	2.6	6.000	145	R	V	Bn	S
GAL□0410P-331□	330.00	0.796	60	2.4	6.500	137	O	O	Bn	S
GAL□0410P-391□	390.00	0.796	55	2.0	7.500	133	O	W	Bn	S
GAL□0410P-471□	470.00	0.796	50	1.8	8.500	126	Y	V	Bn	S
GAL□0410P-561□	560.00	0.796	50	1.6	9.500	120	Gn	Bu	Bn	S
GAL□0410P-681□	680.00	0.796	45	1.6	12.000	113	Bu	Gy	Bn	S
GAL□0410P-821□	820.00	0.796	45	1.4	14.000	105	Gy	R	Bn	S
GAL□0410P-102□	1000.00	0.796	40	1.2	20.000	85	Bn	Bk	R	S

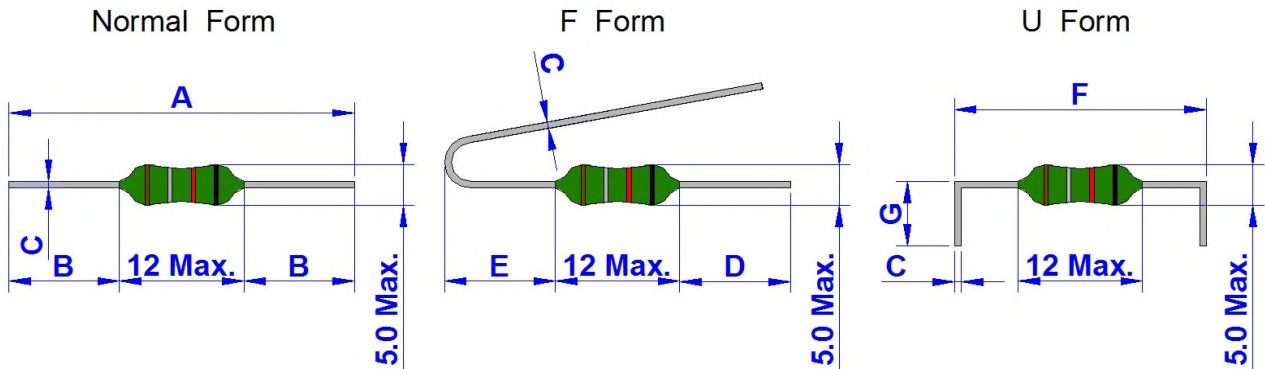
□ = J = 5% , K = 10% , M = 20%

IDC : Base on temp rise up 40 deg.C max.

Product Series : GAL	Brand : GOTREND
File Version : GAL-SERIES-V2R7	Editor : Teddy Sun
Established Date : 1997.06.23	Description : Axial Lead Inductor Choke
Latest Edit Date : 2020.10.28	Product Type : <input checked="" type="checkbox"/> Standard <input type="checkbox"/> Customize

GAL□0512P- SERIES

Dimension [mm] :



Size	A	B	C	D	E	F	G
0512	62.0+/-2.0	24.5+/-3.0	0.65+/-0.05	4.0 Min.	6.0 Max.	12.5+/-1.0	6.0+/-1.0

Electrical Characteristics :

Part No.	Inductance (mH)	Test Freq. (MHz)	Q Min.	SRF (MHz) Min.	DCR (Ohm) Max.	IDC (mA) Max.	COLOR CODE			
							1st	2nd	3rd	4th
GAL□0512P-102□	1.0	79.6	50	1.20	5	180	Bn	Bk	R	S
GAL□0512P-122□	1.2	252	80	1.30	9	110	Bn	R	R	S
GAL□0512P-152□	1.5	252	80	1.20	10	100	Bn	Gn	R	S
GAL□0512P-182□	1.8	252	80	1.20	11	90	Bn	Gy	R	S
GAL□0512P-222□	2.2	252	80	1.10	14	80	R	R	R	S
GAL□0512P-272□	2.7	252	80	0.85	18	75	R	V	R	S
GAL□0512P-332□	3.3	252	80	0.74	22	65	O	O	R	S
GAL□0512P-392□	3.9	252	80	0.70	26	60	O	W	R	S
GAL□0512P-472□	4.7	252	80	0.66	32	55	Y	V	R	S
GAL□0512P-562□	5.6	252	70	0.64	34	50	Gn	Bu	R	S
GAL□0512P-682□	6.8	252	70	0.58	45	45	Bu	Gy	R	S
GAL□0512P-822□	8.2	252	50	0.50	60	40	Gy	R	R	S
GAL□0512P-103□	10.0	79.6	50	0.48	70	38	Bn	Bk	O	S
GAL□0512P-123□	12.0	79.6	50	0.46	82	35	Bn	R	O	S
GAL□0512P-153□	15.0	79.6	50	0.40	89	32	Bn	Gn	O	S
GAL□0512P-183□	18.0	79.6	40	0.37	140	28	Bn	Gy	O	S
GAL□0512P-223□	22.0	79.6	40	0.33	170	25	R	R	O	S
GAL□0512P-253□	25.0	79.6	40	0.28	185	24	R	Gn	O	S
GAL□0512P-273□	27.0	79.6	40	0.26	210	23	R	V	O	S
GAL□0512P-303□	30.0	79.6	40	0.25	240	22	O	Bk	O	S
GAL□0512P-333□	33.0	79.6	40	0.24	250	20	O	O	O	S

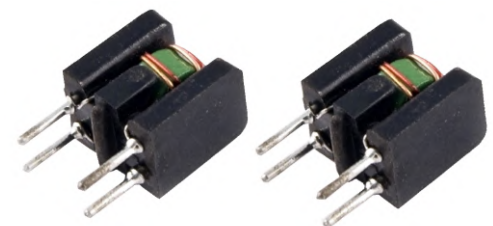
□ = J = 5% , K = 10% , M = 20%

IDC : Base on temp rise up 40 deg.C max.

Product Series : GASC	Brand : GOTREND
File Version : GASC-SERIES-V2R3	Editor : Teddy Sun
Established Date : 1998.09.28	Description : Dip Common Mode Choke
Latest Edit Date : 2020.11.06	Product Type : <input checked="" type="checkbox"/> Standard <input type="checkbox"/> Customize

Features & Application :

- * Dip Common Mode Filter Choke.
- * Fit for power line & signal line circuit.
- * To help you go pass the CE/FCC standard.
- * Power Line, Communication, ADSL, Modeml...etc.



(Picture for reference only)

Part No. Example :

PN	:	GASC	L80	-	P	-	N
-----		-----	-----		---		-----
ID	:	1	2		3		4
1	:	GOTREND Product Code					
2	:	INDUCTANCE VALUE 80uH					
3	:	Pb free < 1000ppm					
4	:	inductance +/-35%					

Basic Information :

Made in	China
Pin Foot	DIP
Shielding	Yes
J-STD-020	MSL Level 1
RoHS	Compliant
REACH	Compliant
Halogen	Free

Operating & Storage Condition :

- * Operating Temp -40 ~ +125 deg.C (Including self - temperature rise)
- * Storage Temp 1. -10 ~ +45 deg.C , 50 ~ 60% RH (Product with taping)
2. -40 ~ +125 deg.C (On board)
- * Storage Life Time 12 MONTH (Less than 40 deg.C and 60% RH)

Attention & Caution :

- * Keep out of Splashing water or salt water
- * Avoid Toxic Gas (Hydrogen sulfide, Sulfurous acid, Chlorine, Ammonia)
- * Avoid Vibrations or shocks which exceed the specified condition
- * Avoid Dew condense
- * Avoid Layout near the edge of PCB
- * Avoid Over flexure after SMT mounting & PCBA



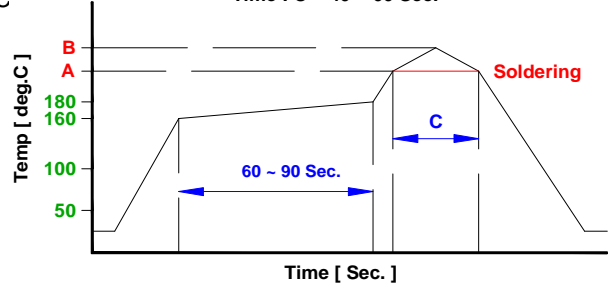
- * Pin foot or SMD pad solderability: Pb free type is best within 6 months after delivery
- * Humidity sensitive , IPC/JEDEC J-STD-020 MSL if over Level 1, recommend bake 30mins@150 degree before PCBA
- * Caution for human life relative applications : PLS contact & consult with GOTREND team in design stage.

Test Condition :

- * Equipment HP4284A , HP42841A - L , Q , DCR , IDC
HP8753D Network analyzer - SRF
- * Standard Atmosphere Conditions:
Ambient Temperature 20 ± 15 deg.C
Humidity RH 65 ± 20%
- * If there may be any doubt on the test result ,
Measurement shall be made within the following limits:
Ambient Temperature 25 ± 5 deg.C
Humidity RH 75 ± 10%

Recommend IR Reflow Curve : GTX-IR-FILE001

Lead Free Solder : A = 217 deg.C , B = 245+/-5 deg.C
Time : C = 40 ~ 60 Sec.

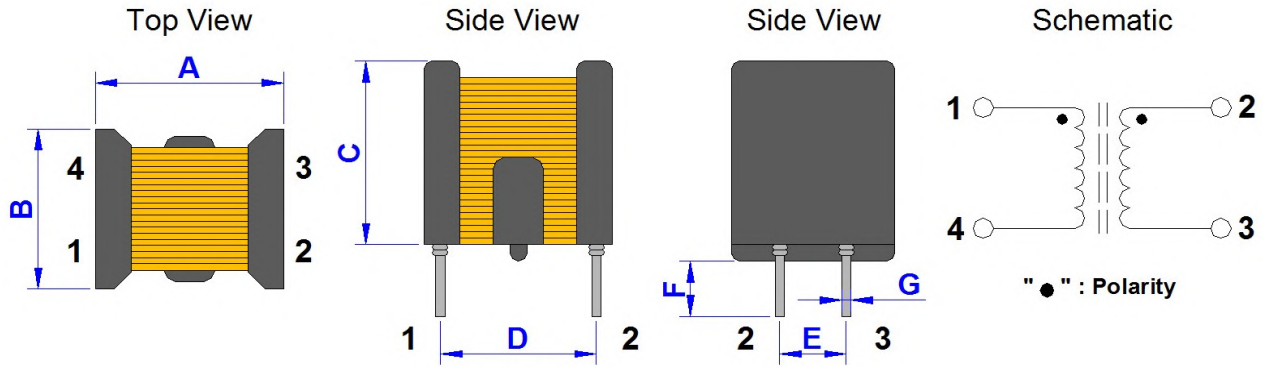


**Notice : Iron Soldering , Solder < 30 Watt ,
Direct touch the terminal x 3 Sec. Max. @ 350 deg.C**

Product Series : GASC	Brand : GOTREND
File Version : GASC-SERIES-V2R3	Editor : Teddy Sun
Established Date : 1998.09.28	Description : Dip Common Mode Choke
Latest Edit Date : 2020.11.06	Product Type : <input checked="" type="checkbox"/> Standard <input type="checkbox"/> Customize

GASC-SERIES

Dimension [mm] :



Size	A(Max.)	B(Max.)	C(Max.)	D(+/-0.5)	E(+/-0.5)	F(+/-0.4)	G(+/-0.1)
ALL	7.50	6.50	9.00	5.00	2.5	3.2	0.6

Electrical Characteristics :

Part No.	L (uH) ± 35%	DCR (m Ohm) Max.	IDC (Amp) Max.
GASC-L15PN	15.0	35.0	0.5
GASC-L40PN	40.0	45.0	0.5
GASC-L60PN	60.0	50.0	0.5
GASC-L80PN	80.0	60.0	0.5

* L value test frequency : @ 1KHz / 0.25V

* IDC based on increasing product temperature : Current when temperature of the product reaches +40 deg.C .

Product Series : GCL	Brand : GOTREND
File Version : GCL-SERIES-V1R0	Editor : Teddy Sun
Established Date : 1997.03.26	Description : Coil for Switching Power
Latest Edit Date : 2020.11.20	Product Type : <input type="checkbox"/> Standard <input checked="" type="checkbox"/> Customize

Features & Application :

- * Good in EMI effect and various custom design
- * Fit for power line input / output application
- * To help you go pass the CE/FCC standard.
- * MainBoard / NB / IPC / Server / VRM mouldle...etc.



(Picture for reference only)

Part No. Example :

PN	:	C	4452	P	-	06A	34	Y	DP
-----		-----	-----	---		-----	-----	---	-----
ID	:	1	2	3		4	5	6	7
1	:	GOTREND Series : C = Ring Core							
2	:	Core Size & Core Material Code							
3	:	P = Pb free < 1000 ppm							
4	:	Wire Size & Count : 06A = 0.6 mm x 1P							
5	:	Wire Turns : 34 = 34.5 Turns							
6	:	Wire Color : Y = Copper Yellow , R = Copper Red							
7	:	Pin Foot : DP=Dip , FA=ID (Single Side) , FB=OD (Double Side)							

Basic Information :

Made in	China
Pin Foot	DIP
Shielding	Yes
J-STD-020	MSL Level 1
RoHS	Compliant
REACH	Compliant
Halogen	Free

Operating & Storage Condition :

- * Operating Temp -40 ~ +85 deg.C (Including self - temperature rise)
- * Storage Temp 1. -10 ~ +45 deg.C , 50 ~ 60% RH (Product with taping)
2. -40 ~ +85 deg.C (On board)
- * Storage Life Time 12 Month (Less than 40 deg.C and 60% RH)

Attention & Caution :

- * Keep out of Splashing water or salt water
- * Avoid Toxic Gas (Hydrogen sulfide, Sulfurous acid, Chlorine, Ammonia)
- * Avoid Vibrations or shocks which exceed the specified condition
- * Avoid Dew condense
- * Avoid Layout near the edge of PCB
- * Avoid Over flexure after SMT mounting & PCBA



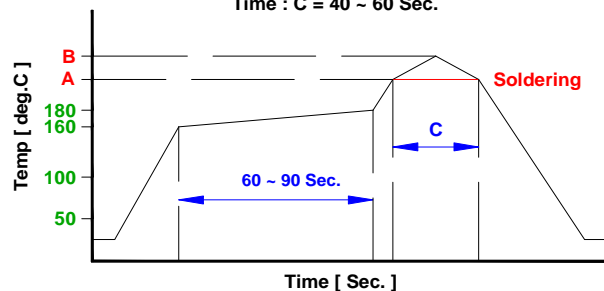
- * Pin foot or SMD pad solderability: Pb free type is best within 6 months after delivery
- * Humidity sensitive , IPC/JEDEC J-STD-020 MSL if over Level 1, recommend bake 30mins@150 degree before PCBA
- * Caution for human life relative applications : PLS contact & consult with GOTREND team in design stage.

Test Condition :

- * Equipment HP4284A , HP42841A - L , DCR , IDC
HP8753D Network analyzer - SRF
- * Standard Atmosphere Conditions:
Ambient Temperature 20 ± 15 deg.C
Humidity RH 65 ± 20%
- * If there may be any doubt on the test result ,
Measurement shall be made within the following limits:
Ambient Temperature 25 ± 5 deg.C
Humidity RH 75 ± 10%

Recommend IR Reflow Curve : GTX-IR-FILE001

Lead Free Solder : A = 217 deg.C , B = 245+/-5 deg.C
Time : C = 40 ~ 60 Sec.

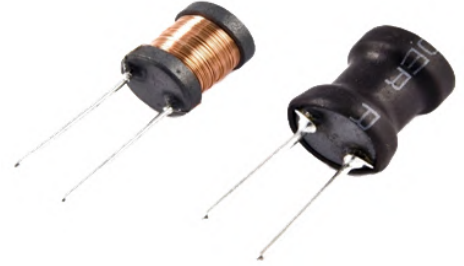


Notice : Iron Soldering , Solder < 30 Watt ,
Direct touch the terminal x 3 Sec. Max. @ 350 deg.C

Product Series : GDR	Brand : GOTREND
File Version : GDR-SERIES-V3R2	Editor : Teddy Sun
Established Date : 2009.07.09	Description : Drum Choke Inductor
Latest Edit Date : 2020.11.06	Product Type : <input checked="" type="checkbox"/> Standard <input type="checkbox"/> Customize

Features & Application :

- * Drum Choke with low cost and high reliability.
- * Fit for power line & signal line circuit
- * To help you go pass the CE/FCC standard.
- * Mobile Device / Handheld Device / LowProfile Device



(Picture for reference only)

Part No. Example :

PN	:	GDR	0810	P	U	-	151	K
-----		-----	-----	---			-----	
ID	:	1	2	3	4		5	6
1	:	GOTREND Series : GDR						
2	:	Dimension Code : LengthxWidth						
3	:	P=Pb free < 1000ppm						
4	:	U : UL Tube Covered						
5	:	Inductance : 151=150 uH (180=18uH)						
6	:	Tolerance : K 10% (J 5%; L 15%; M 20%; N 30%)						

Basic Information :

Made in	China
Pin Foot	DIP
Shielding	No
J-STD-020	MSL Level 1
RoHS	Compliant
REACH	Compliant
Halogen	Free

Operating & Storage Condition :

- * Operating Temp -40 ~ +125 deg.C (Including self - temperature rise)
- * Storage Temp 1. -10 ~ +45 deg.C , 50 ~ 60% RH (Product with taping)
2. -40 ~ +125 deg.C (On board)
- * Storage Life Time 12Month (Less than 40 deg.C and 60% RH)

Attention & Caution :

- * Keep out of Splashing water or salt water
- * Avoid Toxic Gas (Hydrogen sulfide, Sulfurous acid, Chlorine, Ammonia)
- Vibrations or shocks which exceed the specified condition
- Dew condense
- Layout near the edge of PCB
- Over flexure after SMT mounting & PCBA



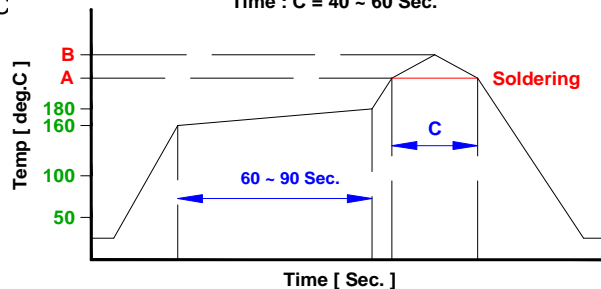
- * Pin foot or SMD pad solderability: Pb free type is best within 6 months after delivery
- * Humidity sensitive , IPC/JEDEC J-STD-020 MSL if over Level 1, recommend bake 30mins@150 degree before PCBA
- * Caution for human life relative applications : PLS contact & consult with GOTREND team in design stage.

Test Condition :

- * Equipment HP4284A , HP42841A - L , Q , DCR , IDC
HP8753D Network analyzer - SRF
- * Standard Atmosphere Conditions:
Ambient Temperature 20 ± 15 deg.C
Humidity RH 65 ± 20%
- * If there may be any doubt on the test result ,
Measurement shall be made within the following limits:
Ambient Temperature 25 ± 5 deg.C
Humidity RH 75 ± 10%

Recommend IR Reflow Curve : GTX-IR-FILE001

Lead Free Solder : A = 217 deg.C , B = 245+/-5 deg.C
Time : C = 40 ~ 60 Sec.

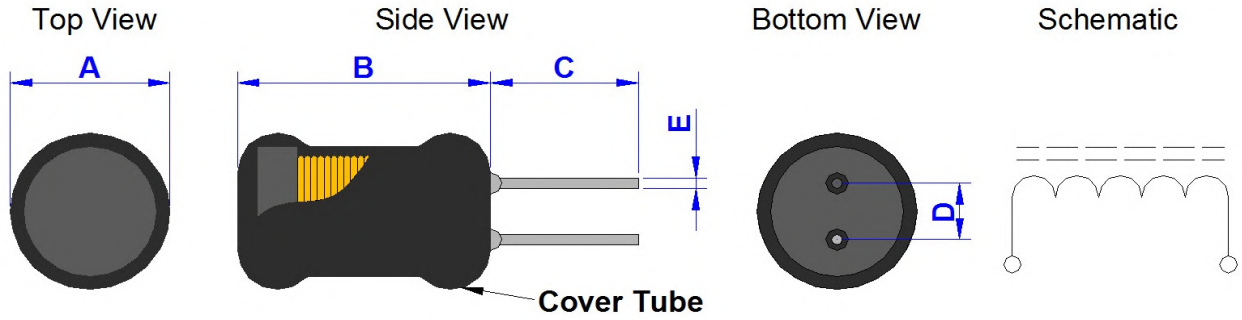


Notice : Iron Soldering , Solder < 30 Watt ,
Direct touch the terminal x 3 Sec. Max. @ 350 deg.C

Product Series : GDR	Brand : GOTREND
File Version : GDR-SERIES-V3R2	Editor : Teddy Sun
Established Date : 2009.07.09	Description : Drum Choke Inductor
Latest Edit Date : 2020.11.06	Product Type : <input checked="" type="checkbox"/> Standard <input type="checkbox"/> Customize

GDR0406P-SERIES

Dimension [mm] :



Size	ØA(Max.)	B(Max.)	C(+/-1.5)	D(+/-0.5)	ØE(+/-0.05)
0406	6.0	7.5	15.0	2.0	0.50

Electrical Characteristics :

Part No.	INDUCTANCE (µH) @ 1KHz/0.25V	DCR Ohm [Max.]	IDC Amp. [Max.]
GDR0406P□-1R0□	1.0	0.030	3.00
GDR0406P□-1R5□	1.5	0.035	2.80
GDR0406P□-1R8□	1.8	0.040	2.70
GDR0406P□-2R2□	2.2	0.045	2.50
GDR0406P□-2R7□	2.7	0.050	2.50
GDR0406P□-3R3□	3.3	0.055	2.20
GDR0406P□-3R9□	3.9	0.055	2.20
GDR0406P□-4R7□	4.7	0.065	2.00
GDR0406P□-5R6□	5.6	0.070	1.80
GDR0406P□-6R8□	6.8	0.080	1.70
GDR0406P□-8R2□	8.2	0.090	1.50
GDR0406P□-100□	10.0	0.110	1.40
GDR0406P□-120□	12.0	0.140	1.20
GDR0406P□-150□	15.0	0.160	1.00
GDR0406P□-180□	18.0	0.180	1.00
GDR0406P□-220□	22.0	0.250	0.90
GDR0406P□-270□	27.0	0.370	0.80
GDR0406P□-330□	33.0	0.420	0.70
GDR0406P□-390□	39.0	0.450	0.70
GDR0406P□-470□	47.0	0.500	0.60
GDR0406P□-560□	56.0	0.560	0.60
GDR0406P□-680□	68.0	0.630	0.55

* Inductance drop: 10% typ. at IDC.

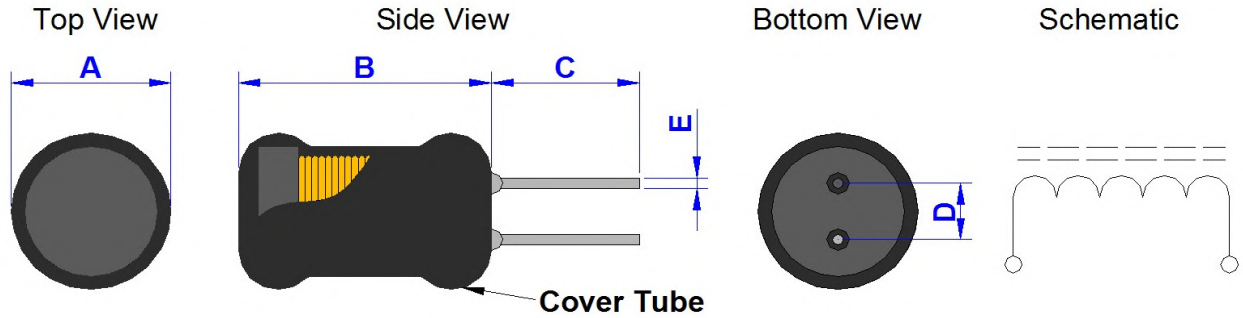
* □ U = UL Tube

* □ Inductance Tolerance : J 5%, K 10%, L 15%, M 20%, N 30%

Product Series : GDR	Brand : GOTREND
File Version : GDR-SERIES-V3R2	Editor : Teddy Sun
Established Date : 2009.07.09	Description : Drum Choke Inductor
Latest Edit Date : 2020.11.06	Product Type : <input checked="" type="checkbox"/> Standard <input type="checkbox"/> Customize

GDR0406P-SERIES

Dimension [mm] :



Size	ØA(Max.)	B(Max.)	C(+/-1.5)	D(+/-0.5)	ØE(+/-0.05)
0406	6.0	7.5	15.0	2.0	0.50

Electrical Characteristics :

Part No.	INDUCTANCE (µH) @ 1KHz/0.25V	DCR Ohm [Max.]	IDC Amp. [Max.]
GDR0406P□-820□	82.0	0.770	0.50
GDR0406P□-101□	100.0	0.850	0.40
GDR0406P□-121□	120.0	1.300	0.40
GDR0406P□-151□	150.0	1.400	0.30
GDR0406P□-181□	180.0	2.200	0.30
GDR0406P□-221□	220.0	2.500	0.28
GDR0406P□-271□	270.0	2.700	0.25
GDR0406P□-331□	330.0	3.000	0.22
GDR0406P□-391□	390.0	3.400	0.21
GDR0406P□-471□	470.0	3.900	0.20
GDR0406P□-561□	560.0	5.000	0.16
GDR0406P□-681□	680.0	7.000	0.15
GDR0406P□-821□	820.0	7.700	0.14
GDR0406P□-102□	1000.0	8.700	0.12

* Inductance drop: 10% typ. at IDC.

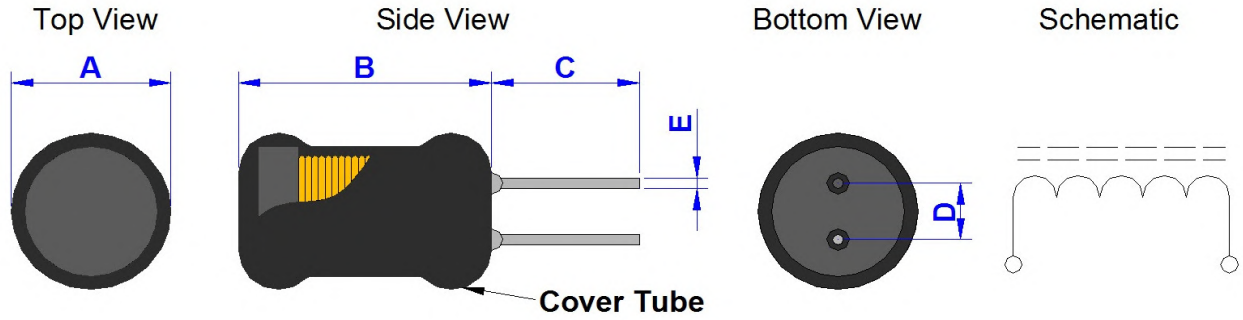
* □ U = UL Tube

* □ Inductance Tolerance : J 5%, K 10%, L 15%, M 20%, N 30%

Product Series : GDR	Brand : GOTREND
File Version : GDR-SERIES-V3R2	Editor : Teddy Sun
Established Date : 2009.07.09	Description : Drum Choke Inductor
Latest Edit Date : 2020.11.06	Product Type : <input checked="" type="checkbox"/> Standard <input type="checkbox"/> Customize

GDR0608P-SERIES

Dimension [mm] :



Size	ØA(Max.)	B(Max.)	C(+/-1.5)	D(+/-0.5)	ØE(+/-0.05)
0608	8.0	10.0	15.0	3.0	0.65

Electrical Characteristics :

Part No.	INDUCTANCE (µH) @ 1KHz/0.25V	DCR Ohm [Max.]	IDC Amp. [Max.]
GDR0608P□-1R0□	1.0	0.015	3.00
GDR0608P□-1R2□	1.2	0.015	2.80
GDR0608P□-1R5□	1.5	0.015	2.70
GDR0608P□-2R2□	2.2	0.015	2.60
GDR0608P□-2R7□	2.7	0.020	2.50
GDR0608P□-3R3□	3.3	0.020	2.50
GDR0608P□-3R9□	3.9	0.025	2.50
GDR0608P□-4R7□	4.7	0.025	2.30
GDR0608P□-5R6□	5.6	0.030	2.10
GDR0608P□-6R8□	6.8	0.030	1.80
GDR0608P□-8R2□	8.2	0.035	1.20
GDR0608P□-100□	10.0	0.045	1.00
GDR0608P□-120□	12.0	0.050	1.00
GDR0608P□-150□	15.0	0.055	0.90
GDR0608P□-180□	18.0	0.090	0.90
GDR0608P□-220□	22.0	0.095	0.80
GDR0608P□-270□	27.0	0.110	0.75
GDR0608P□-330□	33.0	0.125	0.70
GDR0608P□-390□	39.0	0.140	0.65
GDR0608P□-470□	47.0	0.160	0.60
GDR0608P□-560□	56.0	0.180	0.60
GDR0608P□-680□	68.0	0.200	0.56

* Inductance drop: 10% typ. at IDC.

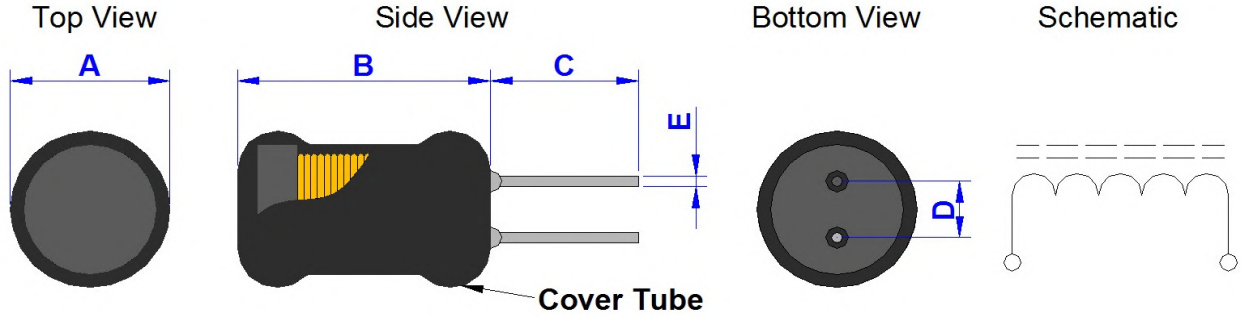
* □ U = UL Tube

* □ Inductance Tolerance : J 5%, K 10%, L 15%, M 20%, N 30%

Product Series : GDR	Brand : GOTREND
File Version : GDR-SERIES-V3R2	Editor : Teddy Sun
Established Date : 2009.07.09	Description : Drum Choke Inductor
Latest Edit Date : 2020.11.06	Product Type : <input checked="" type="checkbox"/> Standard <input type="checkbox"/> Customize

GDR0608P-SERIES

Dimension [mm] :



Size	ØA(Max.)	B(Max.)	C(+/-1.5)	D(+/-0.5)	ØE(+/-0.05)
0608	8.0	10.0	15.0	3.0	0.65

Electrical Characteristics :

Part No.	INDUCTANCE (µH) @ 1KHz/0.25V	DCR Ohm [Max.]	IDC Amp. [Max.]
GDR0608P□-820□	82.0	0.270	0.48
GDR0608P□-101□	100.0	0.310	0.45
GDR0608P□-121□	120.0	0.370	0.43
GDR0608P□-151□	150.0	0.470	0.40
GDR0608P□-181□	180.0	0.540	0.40
GDR0608P□-221□	220.0	0.730	0.38
GDR0608P□-271□	270.0	0.830	0.32
GDR0608P□-331□	330.0	0.950	0.30
GDR0608P□-391□	390.0	1.220	0.25
GDR0608P□-471□	470.0	1.630	0.22
GDR0608P□-561□	560.0	1.800	0.20
GDR0608P□-681□	680.0	2.100	0.18
GDR0608P□-821□	820.0	2.900	0.17
GDR0608P□-102□	1000.0	3.200	0.15
GDR0608P□-222□	2200.0	11.200	0.20
GDR0608P□-472□	4700.0	15.000	0.05

* Inductance drop: 10% typ. at IDC.

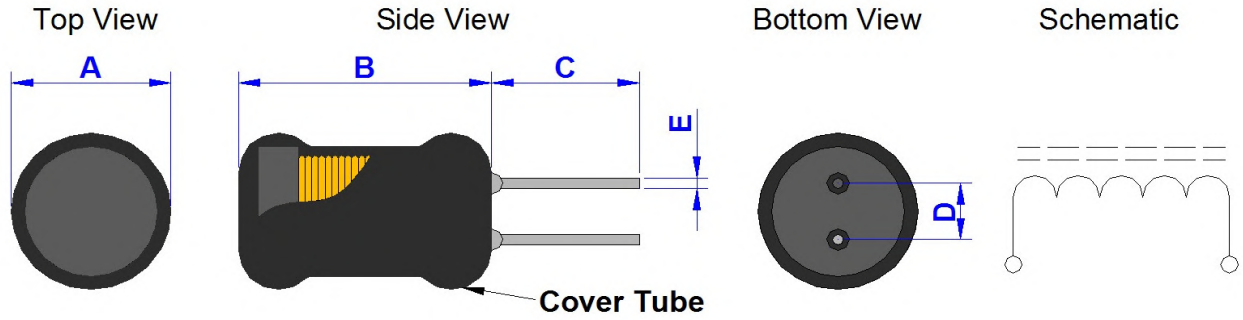
* □ U = UL Tube

* □ Inductance Tolerance : J 5%, K 10%, L 15%, M 20%, N 30%

Product Series : GDR	Brand : GOTREND
File Version : GDR-SERIES-V3R2	Editor : Teddy Sun
Established Date : 2009.07.09	Description : Drum Choke Inductor
Latest Edit Date : 2020.11.06	Product Type : <input checked="" type="checkbox"/> Standard <input type="checkbox"/> Customize

GDR0810P-SERIES

Dimension [mm] :



Size	ØA(Max.)	B(Max.)	C(+/-1.5)	D(+/-0.5)	ØE(+/-0.05)
0810	10.0	11.5	15.0	5.0	0.65

Electrical Characteristics :

Part No.	INDUCTANCE (µH) @ 1KHz/0.25V	DCR Ohm [Max.]	IDC Amp. [Max.]
GDR0810P□-1R0□	1.0	0.015	4.50
GDR0810P□-1R5□	1.5	0.020	4.50
GDR0810P□-2R2□	2.2	0.020	4.20
GDR0810P□-2R7□	2.7	0.020	4.20
GDR0810P□-3R3□	3.3	0.020	4.00
GDR0810P□-3R9□	3.9	0.020	4.00
GDR0810P□-4R7□	4.7	0.025	4.00
GDR0810P□-5R6□	5.6	0.025	4.00
GDR0810P□-6R8□	6.8	0.025	4.00
GDR0810P□-8R2□	8.2	0.035	3.80
GDR0810P□-100□	10.0	0.040	3.80
GDR0810P□-120□	12.0	0.040	3.20
GDR0810P□-150□	15.0	0.045	2.80
GDR0810P□-180□	18.0	0.060	2.50
GDR0810P□-220□	22.0	0.070	2.10
GDR0810P□-270□	27.0	0.085	2.00
GDR0810P□-330□	33.0	0.090	1.80
GDR0810P□-390□	39.0	0.100	1.60
GDR0810P□-470□	47.0	0.110	1.50
GDR0810P□-560□	56.0	0.150	1.30
GDR0810P□-680□	68.0	0.190	1.00
GDR0810P□-820□	82.0	0.210	0.90

* Inductance drop: 10% typ. at IDC.

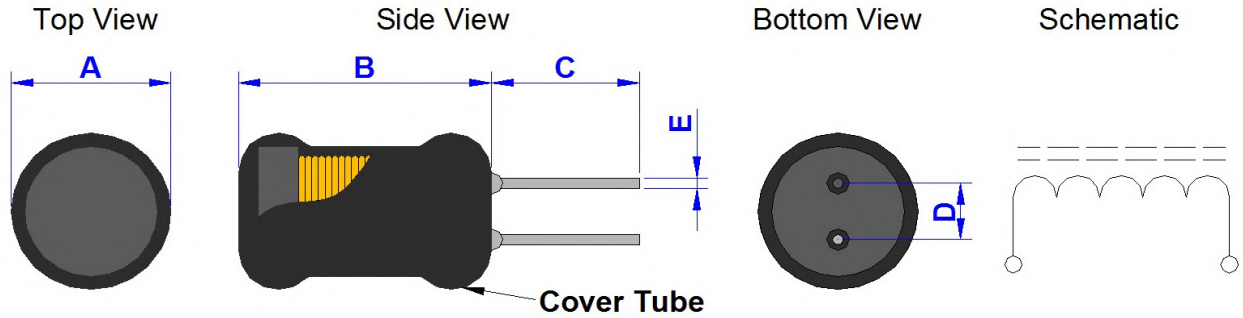
* □ U = UL Tube

* □ Inductance Tolerance : J 5%, K 10%, L 15%, M 20%, N 30%

Product Series : GDR	Brand : GOTREND
File Version : GDR-SERIES-V3R2	Editor : Teddy Sun
Established Date : 2009.07.09	Description : Drum Choke Inductor
Latest Edit Date : 2020.11.06	Product Type : <input checked="" type="checkbox"/> Standard <input type="checkbox"/> Customize

GDR0810P-SERIES

Dimension [mm] :



Size	ØA(Max.)	B(Max.)	C(+/-1.5)	D(+/-0.5)	ØE(+/-0.05)
0810	10.0	11.5	15.0	5.0	0.65

Electrical Characteristics :

Part No.	INDUCTANCE (µH) @ 1KHz/0.25V	DCR Ohm [Max.]	IDC Amp. [Max.]
GDR0810P□-101□	100.0	0.240	0.80
GDR0810P□-121□	120.0	0.260	0.80
GDR0810P□-151□	150.0	0.310	0.75
GDR0810P□-181□	180.0	0.380	0.70
GDR0810P□-201□	200.0	0.460	0.65
GDR0810P□-221□	220.0	0.430	0.65
GDR0810P□-271□	270.0	0.490	0.63
GDR0810P□-331□	330.0	0.660	0.60
GDR0810P□-391□	390.0	0.790	0.58
GDR0810P□-471□	470.0	0.910	0.52
GDR0810P□-561□	560.0	1.130	0.50
GDR0810P□-681□	680.0	1.300	0.40
GDR0810P□-821□	820.0	1.530	0.30
GDR0810P□-102□	1000.0	1.800	0.27
GDR0810P□-202□	2000.0	4.300	0.20
GDR0810P□-302□	3000.0	7.000	0.20
GDR0810P□-402□	4000.0	8.210	0.20
GDR0810P□-502□	5000.0	9.880	0.15
GDR0810P□-602□	6000.0	10.900	0.10

* Inductance drop: 10% typ. at IDC.

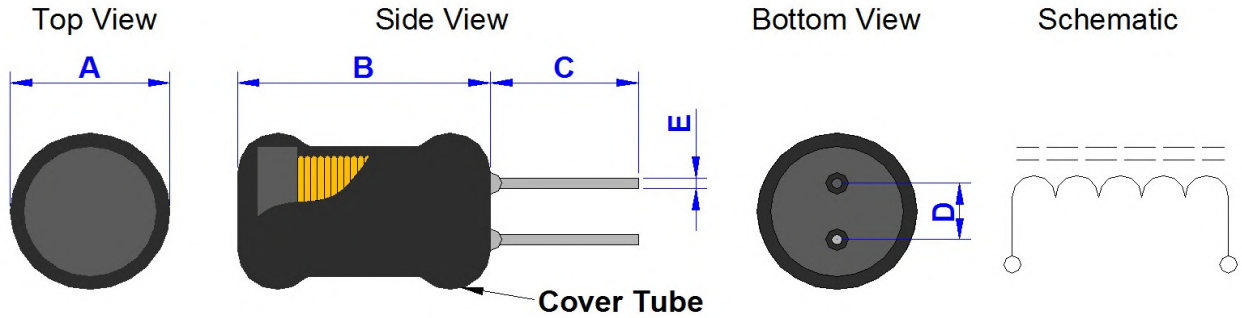
* □ U = UL Tube

* □ Inductance Tolerance : J 5%, K 10%, L 15%, M 20%, N 30%

Product Series : GDR	Brand : GOTREND
File Version : GDR-SERIES-V3R2	Editor : Teddy Sun
Established Date : 2009.07.09	Description : Drum Choke Inductor
Latest Edit Date : 2020.11.06	Product Type : <input checked="" type="checkbox"/> Standard <input type="checkbox"/> Customize

GDR0912P-SERIES

Dimension [mm] :



Size	ØA(Max.)	B(Max.)	C(+/-1.5)	D(+/-0.5)	ØE(+/-0.05)
0912	11.0	13.5	15.0	5.0	0.80

Electrical Characteristics :

Part No.	INDUCTANCE (µH) @ 1KHz/0.25V	DCR Ohm [Max.]	IDC Amp. [Max.]
GDR0912P□-1R0□	1.0	0.015	5.00
GDR0912P□-1R5□	1.5	0.015	5.00
GDR0912P□-1R8□	1.8	0.015	5.00
GDR0912P□-2R2□	2.2	0.015	5.00
GDR0912P□-3R3□	3.3	0.020	4.80
GDR0912P□-3R9□	3.9	0.020	4.80
GDR0912P□-4R7□	4.7	0.020	4.50
GDR0912P□-5R6□	5.6	0.025	4.00
GDR0912P□-6R8□	6.8	0.025	3.90
GDR0912P□-8R2□	8.2	0.025	3.50
GDR0912P□-100□	10.0	0.030	3.40
GDR0912P□-120□	12.0	0.030	3.20
GDR0912P□-150□	15.0	0.040	3.00
GDR0912P□-180□	18.0	0.045	2.80
GDR0912P□-220□	22.0	0.050	2.70
GDR0912P□-270□	27.0	0.055	2.50
GDR0912P□-330□	33.0	0.055	2.50
GDR0912P□-390□	39.0	0.060	2.00
GDR0912P□-470□	47.0	0.070	1.80
GDR0912P□-560□	56.0	0.080	1.70
GDR0912P□-680□	68.0	0.090	1.50
GDR0912P□-820□	82.0	0.110	1.40

* Inductance drop: 10% typ. at IDC.

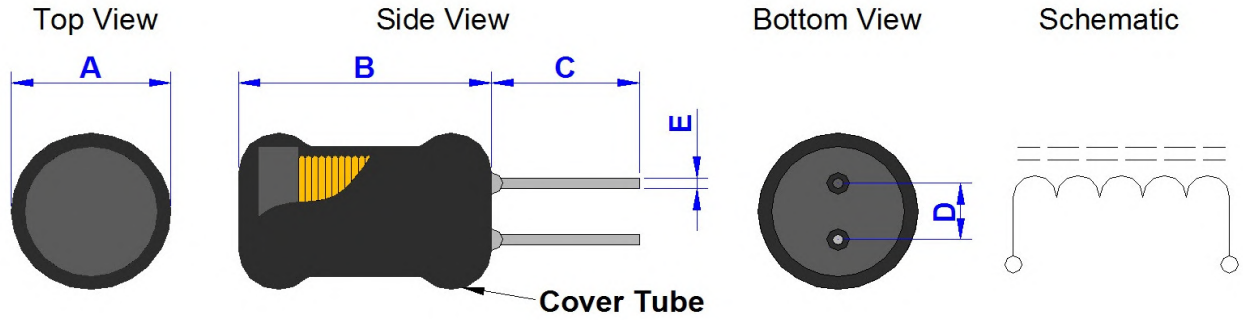
* □ U = UL Tube

* □ Inductance Tolerance : J 5%, K 10%, L 15%, M 20%, N 30%

Product Series : GDR	Brand : GOTREND
File Version : GDR-SERIES-V3R2	Editor : Teddy Sun
Established Date : 2009.07.09	Description : Drum Choke Inductor
Latest Edit Date : 2020.11.06	Product Type : <input checked="" type="checkbox"/> Standard <input type="checkbox"/> Customize

GDR0912P-SERIES

Dimension [mm] :



Size	ØA(Max.)	B(Max.)	C(+/-1.5)	D(+/-0.5)	ØE(+/-0.05)
0912	11.0	13.5	15.0	5.0	0.80

Electrical Characteristics :

Part No.	INDUCTANCE (µH) @ 1KHz/0.25V	DCR Ohm [Max.]	IDC Amp. [Max.]
GDR0912P□-101□	100.0	0.160	1.20
GDR0912P□-121□	120.0	0.170	1.10
GDR0912P□-151□	150.0	0.200	1.00
GDR0912P□-181□	180.0	0.220	0.90
GDR0912P□-221□	220.0	0.260	0.80
GDR0912P□-271□	270.0	0.390	0.70
GDR0912P□-331□	330.0	0.450	0.50
GDR0912P□-391□	390.0	0.490	0.45
GDR0912P□-471□	470.0	0.620	0.43
GDR0912P□-561□	560.0	0.640	0.40
GDR0912P□-681□	680.0	0.790	0.38
GDR0912P□-821□	820.0	1.340	0.35
GDR0912P□-102□	1000.0	1.820	0.30
GDR0912P□-202□	2000.0	3.530	0.30
GDR0912P□-302□	3000.0	6.110	0.23
GDR0912P□-402□	4000.0	8.190	0.20
GDR0912P□-502□	5000.0	10.400	0.15
GDR0912P□-602□	6000.0	12.610	0.10

* Inductance drop: 10% typ. at IDC.

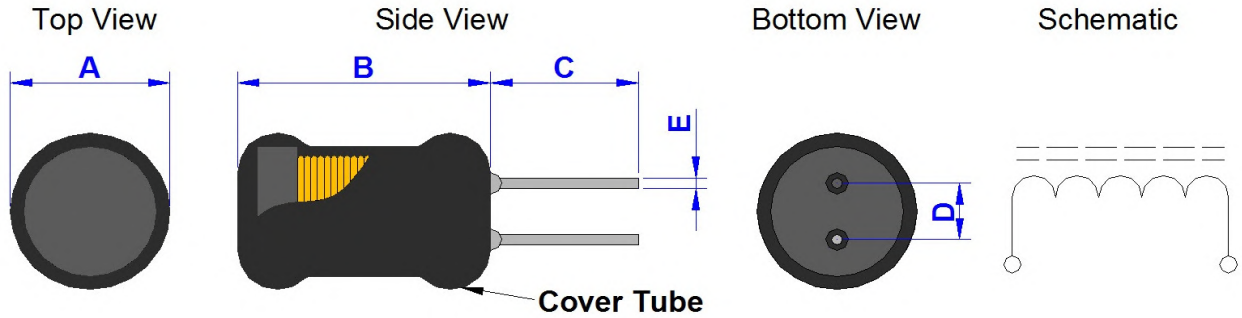
* □ U = UL Tube

* □ Inductance Tolerance : J 5%, K 10%, L 15%, M 20%, N 30%

Product Series : GDR	Brand : GOTREND
File Version : GDR-SERIES-V3R2	Editor : Teddy Sun
Established Date : 2009.07.09	Description : Drum Choke Inductor
Latest Edit Date : 2020.11.06	Product Type : <input checked="" type="checkbox"/> Standard <input type="checkbox"/> Customize

GDR1012P-SERIES

Dimension [mm] :



Size	ØA(Max.)	B(Max.)	C(+/-1.5)	D(+/-0.5)	ØE(+/-0.05)
1012	12.0	13.5	15.0	6.0	0.80

Electrical Characteristics :

Part No.	INDUCTANCE (µH) @ 1KHz/0.25V	DCR Ohm [Max.]	IDC Amp. [Max.]
GDR1012P□-1R0□	1.0	0.010	6.00
GDR1012P□-1R5□	1.5	0.010	6.00
GDR1012P□-1R8□	1.8	0.015	6.00
GDR1012P□-2R7□	2.7	0.015	5.50
GDR1012P□-3R3□	3.3	0.015	5.50
GDR1012P□-3R9□	3.9	0.020	5.00
GDR1012P□-4R2□	4.2	0.020	5.00
GDR1012P□-4R7□	4.7	0.020	5.00
GDR1012P□-5R6□	5.6	0.025	4.80
GDR1012P□-6R8□	6.8	0.025	4.80
GDR1012P□-8R2□	8.2	0.025	4.50
GDR1012P□-100□	10.0	0.025	4.50
GDR1012P□-120□	12.0	0.025	4.30
GDR1012P□-150□	15.0	0.035	4.30
GDR1012P□-180□	18.0	0.040	4.00
GDR1012P□-220□	22.0	0.045	3.70
GDR1012P□-270□	27.0	0.045	3.50
GDR1012P□-330□	33.0	0.055	3.00
GDR1012P□-390□	39.0	0.060	2.50
GDR1012P□-470□	47.0	0.080	2.30
GDR1012P□-560□	56.0	0.085	2.00
GDR1012P□-680□	68.0	0.095	2.00

* Inductance drop: 10% typ. at IDC.

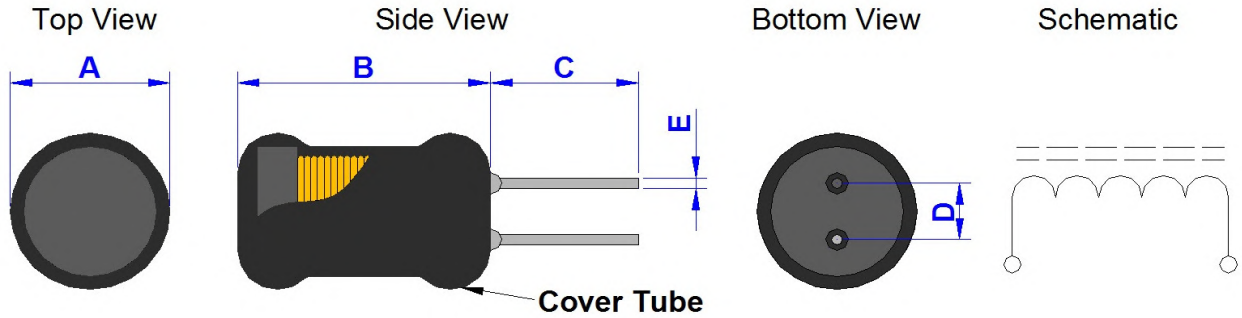
* □ U = UL Tube

* □ Inductance Tolerance : J 5%, K 10%, L 15%, M 20%, N 30%

Product Series : GDR	Brand : GOTREND
File Version : GDR-SERIES-V3R2	Editor : Teddy Sun
Established Date : 2009.07.09	Description : Drum Choke Inductor
Latest Edit Date : 2020.11.06	Product Type : <input checked="" type="checkbox"/> Standard <input type="checkbox"/> Customize

GDR1012P-SERIES

Dimension [mm] :



Size	ØA(Max.)	B(Max.)	C(+/-1.5)	D(+/-0.5)	ØE(+/-0.05)
1012	12.0	13.5	15.0	6.0	0.80

Electrical Characteristics :

Part No.	INDUCTANCE (µH) @ 1KHz/0.25V	DCR Ohm [Max.]	IDC Amp. [Max.]
GDR1012P□-820□	82.0	0.110	1.80
GDR1012P□-101□	100.0	0.140	1.70
GDR1012P□-121□	120.0	0.160	1.50
GDR1012P□-151□	150.0	0.180	1.40
GDR1012P□-181□	180.0	0.250	1.30
GDR1012P□-221□	220.0	0.280	1.00
GDR1012P□-271□	270.0	0.420	0.90
GDR1012P□-331□	330.0	0.540	0.80
GDR1012P□-391□	390.0	0.600	0.80
GDR1012P□-471□	470.0	0.660	0.70
GDR1012P□-561□	560.0	0.740	0.60
GDR1012P□-681□	680.0	0.840	0.50
GDR1012P□-821□	820.0	1.080	0.50
GDR1012P□-102□	1000.0	1.390	0.50
GDR1012P□-152□	1500.0	1.960	0.30
GDR1012P□-302□	3000.0	3.900	0.30
GDR1012P□-402□	4000.0	5.460	0.25

* Inductance drop: 10% typ. at IDC.

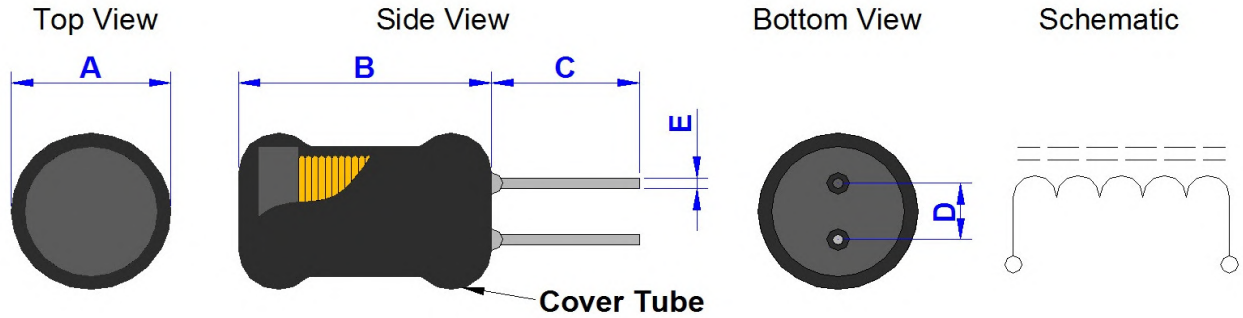
* □ U = UL Tube

* □ Inductance Tolerance : J 5%, K 10%, L 15%, M 20%, N 30%

Product Series : GDR	Brand : GOTREND
File Version : GDR-SERIES-V3R2	Editor : Teddy Sun
Established Date : 2009.07.09	Description : Drum Choke Inductor
Latest Edit Date : 2020.11.06	Product Type : <input checked="" type="checkbox"/> Standard <input type="checkbox"/> Customize

GDR1016P-SERIES

Dimension [mm] :



Size	ØA(Max.)	B(Max.)	C(+/-1.5)	D(+/-0.5)	ØE(+/-0.05)
1016	12.5	18.0	15.0	6.0	0.80

Electrical Characteristics :

Part No.	INDUCTANCE (uH) @ 1KHz/0.25V	DCR Ohm [Max.]	IDC Amp. [Max.]
GDR1016P□-1R0□	1.0	0.010	9.00
GDR1016P□-1R5□	1.5	0.015	9.00
GDR1016P□-1R8□	1.8	0.015	9.00
GDR1016P□-2R7□	2.7	0.015	9.00
GDR1016P□-3R3□	3.3	0.015	8.50
GDR1016P□-3R9□	3.9	0.015	8.00
GDR1016P□-4R7□	4.7	0.020	7.50
GDR1016P□-5R6□	5.6	0.025	7.50
GDR1016P□-6R8□	6.8	0.025	7.50
GDR1016P□-8R2□	8.2	0.025	7.20
GDR1016P□-100□	10.0	0.030	7.20
GDR1016P□-120□	12.0	0.030	7.00
GDR1016P□-150□	15.0	0.035	6.50
GDR1016P□-180□	18.0	0.035	6.30
GDR1016P□-220□	22.0	0.045	5.50
GDR1016P□-270□	27.0	0.050	4.50
GDR1016P□-330□	33.0	0.070	4.00
GDR1016P□-390□	39.0	0.070	3.80
GDR1016P□-470□	47.0	0.070	3.60
GDR1016P□-560□	56.0	0.080	3.20
GDR1016P□-680□	68.0	0.090	3.00
GDR1016P□-820□	82.0	0.095	2.60

* Inductance drop: 10% typ. at IDC.

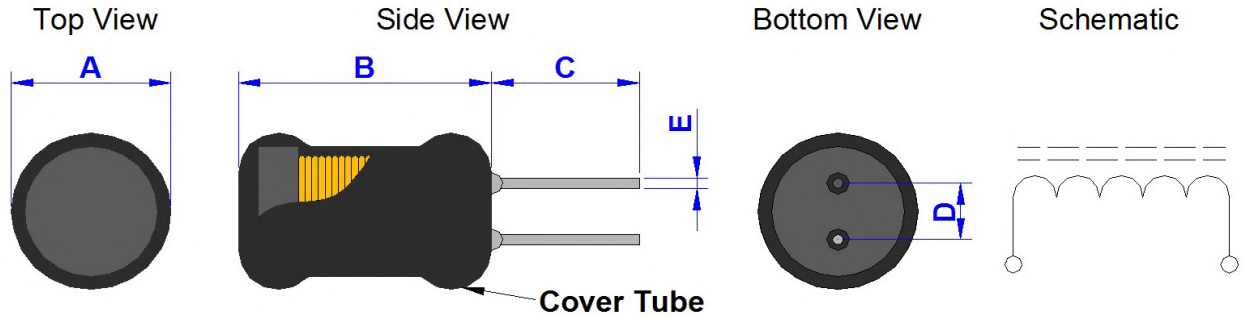
* □ U = UL Tube

* □ Inductance Tolerance : J 5%, K 10%, L 15%, M 20%, N 30%

Product Series : GDR	Brand : GOTREND
File Version : GDR-SERIES-V3R2	Editor : Teddy Sun
Established Date : 2009.07.09	Description : Drum Choke Inductor
Latest Edit Date : 2020.11.06	Product Type : <input checked="" type="checkbox"/> Standard <input type="checkbox"/> Customize

GDR1016P-SERIES

Dimension [mm] :



Size	ØA(Max.)	B(Max.)	C(+/-1.5)	D(+/-0.5)	ØE(+/-0.05)
1016	12.5	18.0	15.0	6.0	0.80

Electrical Characteristics :

Part No.	INDUCTANCE (µH) @ 1KHz/0.25V	DCR Ohm [Max.]	IDC Amp. [Max.]
GDR1016P□-101□	100.0	0.120	2.50
GDR1016P□-121□	120.0	0.140	2.30
GDR1016P□-151□	150.0	0.170	2.10
GDR1016P□-181□	180.0	0.190	2.00
GDR1016P□-221□	220.0	0.250	1.80
GDR1016P□-271□	270.0	0.340	1.50
GDR1016P□-331□	330.0	0.450	1.50
GDR1016P□-391□	390.0	0.510	1.30
GDR1016P□-471□	470.0	0.560	1.20
GDR1016P□-561□	560.0	0.640	1.00
GDR1016P□-681□	680.0	0.710	1.00
GDR1016P□-821□	820.0	1.010	0.90
GDR1016P□-102□	1000.0	1.200	0.80
GDR1016P□-222□	2200.0	5.000	0.50
GDR1016P□-332□	3300.0	5.700	0.40
GDR1016P□-472□	4700.0	8.000	0.35

* Inductance drop: 10% typ. at IDC.

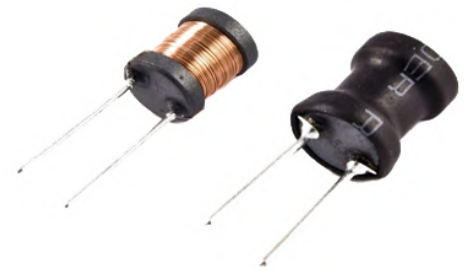
* □ U = UL Tube

* □ Inductance Tolerance : J 5%, K 10%, L 15%, M 20%, N 30%

Product Series : GHDR	Brand : GOTREND
File Version : GHDR-SERIES-V1R2	Editor : Teddy Sun
Established Date : 2012.01.06	Description : Drum Choke Inductor
Latest Edit Date : 2020.11.06	Product Type : <input checked="" type="checkbox"/> Standard <input type="checkbox"/> Customize

Features & Application :

- * Drum Choke with low cost and high reliability.
- * Fit for power line & signal line circuit
- * To help you go pass the CE/FCC standard.
- * Mobile Device / Handheld Device / LowProfile Devi



(Picture for reference only)

Part No. Example :

PN	:	GHDR	0810	P	U	-	101	K
-----		-----	-----	---			-----	
ID	:	1	2	3	4		5	6
1	:	GOTREND Series : GDR						
2	:	Dimension Code : LengthxWidth						
3	:	P=Pb free < 1000ppm						
4	:	U : UL Tube Covered						
5	:	Inductance : 101=100 uH (180=18uH)						
6	:	Tolerance : K 10% (J 5%; L 15%; M 20%; N 30%)						

Basic Information :

Made in	China
Pin Foot	DIP
Shielding	No
J-STD-020	MSL Level 1
RoHS	Compliant
REACH	Compliant
Halogen	Free

Operating & Storage Condition :

- * Operating Temp -40 ~ +125 deg.C (Including self - temperature rise)
- * Storage Temp 1. -10 ~ +45 deg.C , 50 ~ 60% RH (Product with taping)
2. -40 ~ +125 deg.C (On board)
- * Storage Life Time 12Month (Less than 40 deg.C and 60% RH)

Attention & Caution :

- * Keep out of Splashing water or salt water
- * Avoid Toxic Gas (Hydrogen sulfide, Sulfurous acid, Chlorine, Ammonia)
- Vibrations or shocks which exceed the specified condition
- Dew condense
- Layout near the edge of PCB
- Over flexure after SMT mounting & PCBA



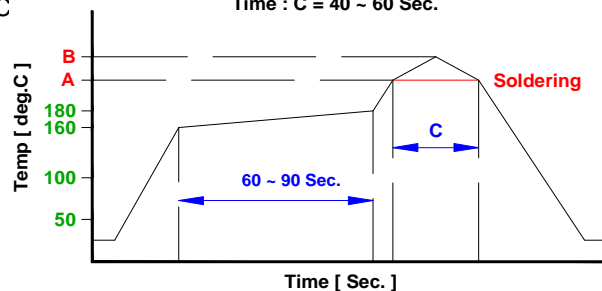
- * Pin foot or SMD pad solderability: Pb free type is best within 6 months after delivery
- * Humidity sensitive , IPC/JEDEC J-STD-020 MSL if over Level 1, recommend bake 30mins@150 degree before PCBA
- * Caution for human life relative applications : PLS contact & consult with GOTREND team in design stage.

Test Condition :

- * Equipment HP4284A , HP42841A - L , Q , DCR , IDC
HP8753D Network analyzer - SRF
- * Standard Atmosphere Conditions:
Ambient Temperature 20 ± 15 deg.C
Humidity RH 65 ± 20%
- * If there may be any doubt on the test result ,
Measurement shall be made within the following limits:
Ambient Temperature 25 ± 5 deg.C
Humidity RH 75 ± 10%

Recommend IR Reflow Curve : GTX-IR-FILE001

Lead Free Solder : A = 217 deg.C , B = 245+/-5 deg.C
Time : C = 40 ~ 60 Sec.

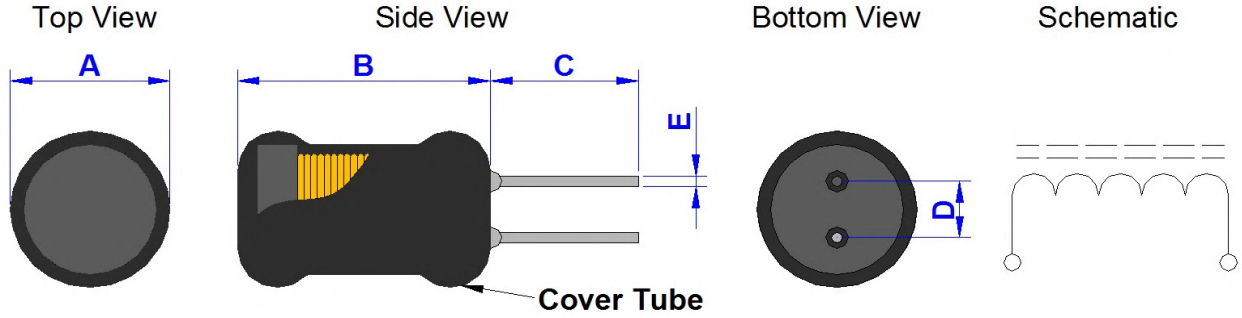


Notice : Iron Soldering , Solder < 30 Watt ,
Direct touch the terminal x 3 Sec. Max. @ 350 deg.C

Product Series : GHDR	Brand : GOTREND
File Version : GHDR-SERIES-V1R2	Editor : Teddy Sun
Established Date : 2012.01.06	Description : Drum Choke Inductor
Latest Edit Date : 2020.11.06	Product Type : <input checked="" type="checkbox"/> Standard <input type="checkbox"/> Customize

GHDR0810P-SERIES

Dimension [mm] :



Size	ØA(Max.)	B(Max.)	C(+/-1.5)	D(+/-0.5)	ØE(+/-0.05)
0810	10.0	11.5	15.0	5.0	0.65

Electrical Characteristics :

Part No.	INDUCTANCE (µH) @ 1KHz/0.25V	DCR Ohm [Max.]	IDC Amp. [Typ.]
GHDR0810P□-1R0□	1.0	0.013	10.00
GHDR0810P□-1R5□	1.5	0.016	8.50
GHDR0810P□-2R2□	2.2	0.021	6.50
GHDR0810P□-3R3□	3.3	0.025	5.50
GHDR0810P□-4R7□	4.7	0.030	4.60
GHDR0810P□-6R8□	6.8	0.035	4.10
GHDR0810P□-100□	10.0	0.045	3.40
GHDR0810P□-120□	12.0	0.050	3.10
GHDR0810P□-150□	15.0	0.056	2.90
GHDR0810P□-180□	18.0	0.061	2.66
GHDR0810P□-220□	22.0	0.070	2.40
GHDR0810P□-270□	27.0	0.080	2.22
GHDR0810P□-330□	33.0	0.090	2.05
GHDR0810P□-390□	39.0	0.100	1.85
GHDR0810P□-470□	47.0	0.160	1.77
GHDR0810P□-560□	56.0	0.180	1.48
GHDR0810P□-680□	68.0	0.210	1.40
GHDR0810P□-820□	82.0	0.230	1.36
GHDR0810P□-101□	100.0	0.280	1.30
GHDR0810P□-121□	120.0	0.320	1.25
GHDR0810P□-151□	150.0	0.370	1.15
GHDR0810P□-181□	180.0	0.580	1.08

* Inductance drop: 10% typ. at IDC.

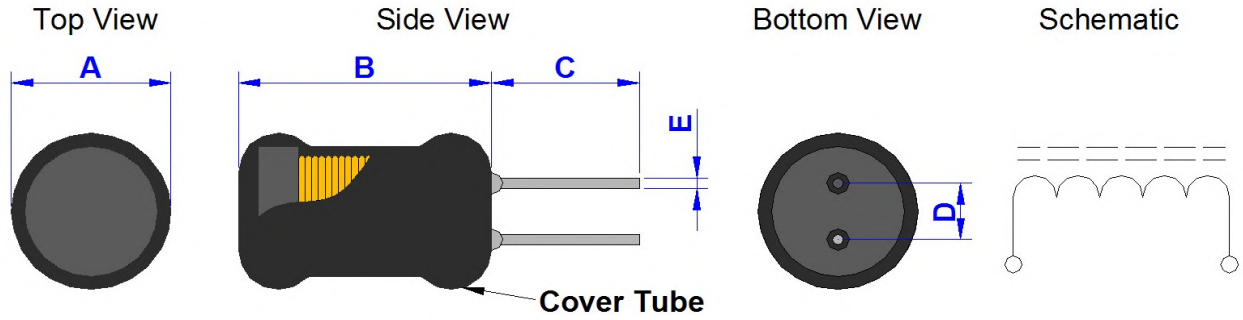
* □ U = UL Tube

* □ Inductance Tolerance : K 10%, M 20%

Product Series : GHDR	Brand : GOTREND
File Version : GHDR-SERIES-V1R2	Editor : Teddy Sun
Established Date : 2012.01.06	Description : Drum Choke Inductor
Latest Edit Date : 2020.11.06	Product Type : <input checked="" type="checkbox"/> Standard <input type="checkbox"/> Customize

GHDR0810P-SERIES

Dimension [mm] :



Size	ØA(Max.)	B(Max.)	C(+/-1.5)	D(+/-0.5)	ØE(+/-0.05)
0810	10.0	11.5	15.0	5.0	0.65

Electrical Characteristics :

Part No.	INDUCTANCE (µH) @ 1KHz/0.25V	DCR Ohm [Max.]	IDC Amp. [Typ.]
GHDR0810P□-221□	220.0	0.650	1.00
GHDR0810P□-271□	270.0	0.750	0.90
GHDR0810P□-331□	330.0	0.850	0.78
GHDR0810P□-391□	390.0	1.000	0.74
GHDR0810P□-471□	470.0	1.100	0.68
GHDR0810P□-561□	560.0	1.400	0.64
GHDR0810P□-681□	680.0	1.600	0.59
GHDR0810P□-821□	820.0	1.800	0.56
GHDR0810P□-102□	1000.0	2.900	0.51

* Inductance drop: 10% typ. at IDC.

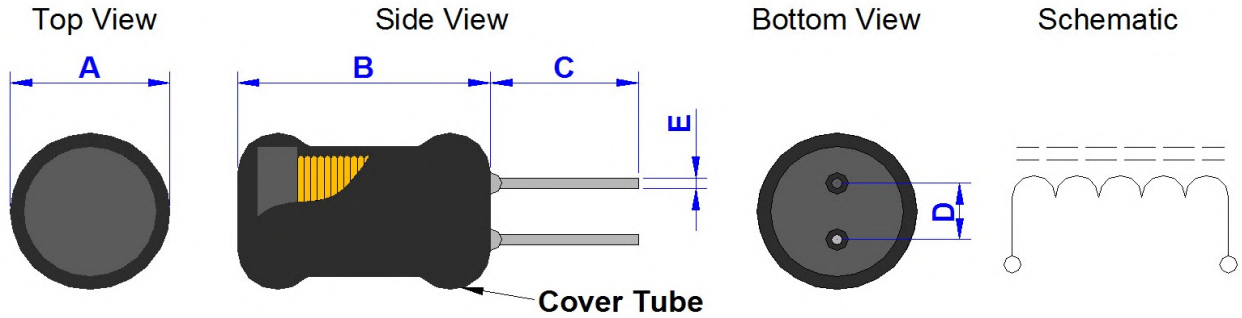
* □ U = UL Tube

* □ Inductance Tolerance : K 10%, M 20%

Product Series : GHDR	Brand : GOTREND
File Version : GHDR-SERIES-V1R2	Editor : Teddy Sun
Established Date : 2012.01.06	Description : Drum Choke Inductor
Latest Edit Date : 2020.11.06	Product Type : <input checked="" type="checkbox"/> Standard <input type="checkbox"/> Customize

GHDR0912P-SERIES

Dimension [mm] :



Size	ØA(Max.)	B(Max.)	C(+/-1.5)	D(+/-0.5)	ØE(+/-0.05)
0912	11.0	13.5	15.0	5.0	0.80

Electrical Characteristics :

Part No.	INDUCTANCE (uH) @ 1KHz/0.25V	DCR Ohm [Max.]	IDC Amp. [Typ.]
GHDR0912P□-1R0□	1.0	0.012	17.00
GHDR0912P□-1R5□	1.5	0.015	16.00
GHDR0912P□-2R2□	2.2	0.020	15.00
GHDR0912P□-3R3□	3.3	0.022	14.50
GHDR0912P□-4R7□	4.7	0.026	11.00
GHDR0912P□-6R8□	6.8	0.032	9.00
GHDR0912P□-100□	10.0	0.044	8.00
GHDR0912P□-120□	12.0	0.049	7.00
GHDR0912P□-150□	15.0	0.055	6.00
GHDR0912P□-180□	18.0	0.060	5.50
GHDR0912P□-220□	22.0	0.067	5.00
GHDR0912P□-270□	27.0	0.075	4.00
GHDR0912P□-330□	33.0	0.084	3.80
GHDR0912P□-390□	39.0	0.090	3.50
GHDR0912P□-470□	47.0	0.150	3.20
GHDR0912P□-560□	56.0	0.170	3.00
GHDR0912P□-680□	68.0	0.190	2.70
GHDR0912P□-820□	82.0	0.215	2.40
GHDR0912P□-101□	100.0	0.245	2.20
GHDR0912P□-121□	120.0	0.270	2.00
GHDR0912P□-151□	150.0	0.335	1.90
GHDR0912P□-181□	180.0	0.540	1.80

* Inductance drop: 10% typ. at IDC.

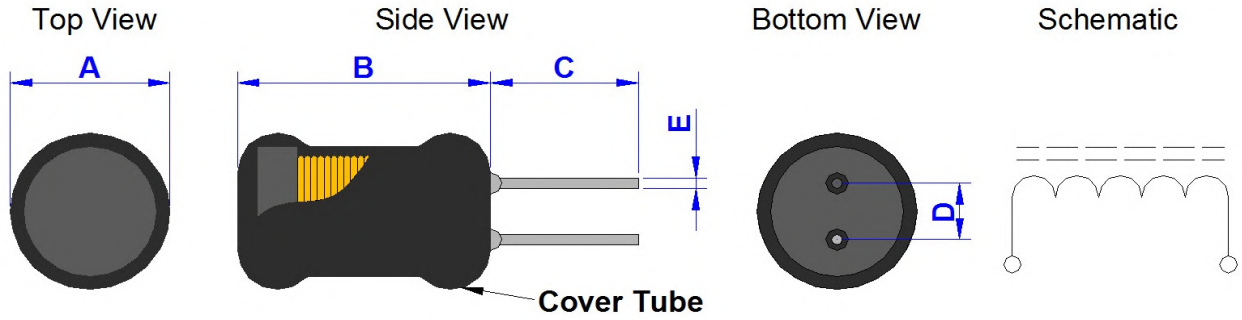
* □ U = UL Tube

* □ Inductance Tolerance : K 10%, M 20%

Product Series : GHDR	Brand : GOTREND
File Version : GHDR-SERIES-V1R2	Editor : Teddy Sun
Established Date : 2012.01.06	Description : Drum Choke Inductor
Latest Edit Date : 2020.11.06	Product Type : <input checked="" type="checkbox"/> Standard <input type="checkbox"/> Customize

GHDR0912P-SERIES

Dimension [mm] :



Size	ØA(Max.)	B(Max.)	C(+/-1.5)	D(+/-0.5)	ØE(+/-0.05)
0912	11.0	13.5	15.0	5.0	0.80

Electrical Characteristics :

Part No.	INDUCTANCE (μ H) @ 1KHz/0.25V	DCR Ohm [Max.]	IDC Amp. [Typ.]
GHDR0912P□-221□	220.0	0.610	1.60
GHDR0912P□-271□	270.0	0.680	1.50
GHDR0912P□-331□	330.0	0.770	1.40
GHDR0912P□-391□	390.0	0.900	1.30
GHDR0912P□-471□	470.0	1.000	1.20
GHDR0912P□-561□	560.0	1.250	1.10
GHDR0912P□-681□	680.0	1.450	1.00
GHDR0912P□-821□	820.0	1.720	0.90
GHDR0912P□-102□	1000.0	2.600	0.80

* Inductance drop: 10% typ. at IDC.

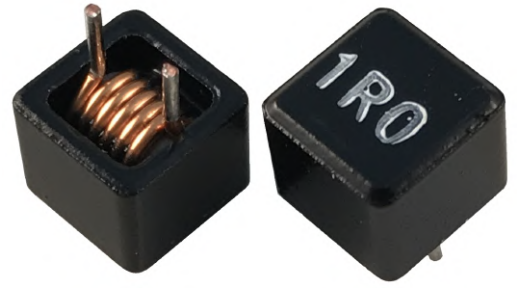
* □ U = UL Tube

* □ Inductance Tolerance : K 10%, M 20%

Product Series : GMAZ	Brand : GOTREND
File Version : GMAZ-SERIES-V1R7	Editor : Teddy Sun
Established Date : 2011.12.28	Description : Dip Choke High Current
Latest Edit Date : 2020.11.06	Product Type : <input checked="" type="checkbox"/> Standard <input type="checkbox"/> Customize

Features & Application :

- * High-Current, Low DCR
- * Magnetic Shielded for excellent EMI effect
- * No air-space and large energy storage capability
- * Through-hole high-current
- * PWM circuit inductance & isolation
- * M/B, NB, IPC various switching power application



(Picture for reference only)

Part No. Example :

PN	:	GMAZ	100609	P	[]	-	R30	M
-----		-----	-----	---	----		-----	----
ID	:	1	2	3	4		5	6
1	:	Product Code : GMAZ						
2	:	Size Code : 100609 = 10.3 x 6.3 x 9.5						
3	:	P = Pb Free < 1000ppm						
4	:	[] Structure Code : S = Straight pitch						
5	:	[L] Value : Inductance R30 = 0.30 uH						
6	:	[L] Tolerance : M = +/-20% ; N = +/-30%						

Basic Information :

Made in	China
Pin Foot	DIP
Shielding	Yes
J-STD-020	MSL Level 1
RoHS	Compliant
REACH	Compliant
Halogen	Free

Operating & Storage Condition :

- * Operating Temp -40 ~ +125 deg.C (Including self - temperature rise)
- * Storage Temp 1. -10 ~ +45 deg.C , 50 ~ 60% RH (Product with taping)
2. -40 ~ +125 deg.C (On board)
- * Storage Life Time 12Month (Less than 40 deg.C and 60% RH)

Attention & Caution :

- * Keep out of Splashing water or salt water
- * Avoid Toxic Gas (Hydrogen sulfide, Sulfurous acid, Chlorine, Ammonia)
- * Avoid Vibrations or shocks which exceed the specified condition
- * Avoid Dew condense
- * Avoid Layout near the edge of PCB
- * Avoid Over flexure after SMT mounting & PCBA



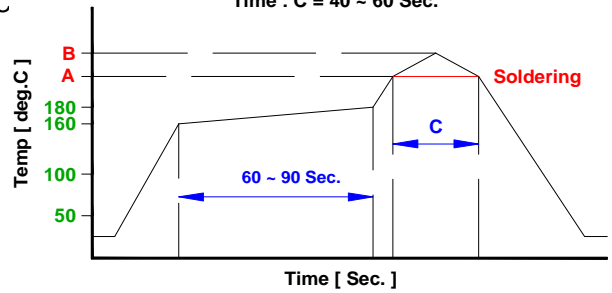
- * Pin foot or SMD pad solderability: Pb free type is best within 6 months after delivery
- * Humidity sensitive , IPC/JEDEC J-STD-020 MSL if over Level 1, recommend bake 30mins@150 degree before PCBA
- * Caution for human life relative applications : PLS contact & consult with GOTREND team in design stage.

Test Condition :

- * Equipment HP4284A , HP42841A - L , Q , DCR , IDC
HP8753D Network analyzer - SRF
- * Standard Atmosphere Conditions:
Ambient Temperature 20 ± 15 deg.C
Humidity RH 65 ± 20%
- * If there may be any doubt on the test result ,
Measurement shall be made within the following limits:
Ambient Temperature 25 ± 5 deg.C
Humidity RH 75 ± 10%

Recommend IR Reflow Curve : GTX-IR-FILE001

Lead Free Solder : A = 217 deg.C , B = 245+/-5 deg.C
Time : C = 40 ~ 60 Sec.

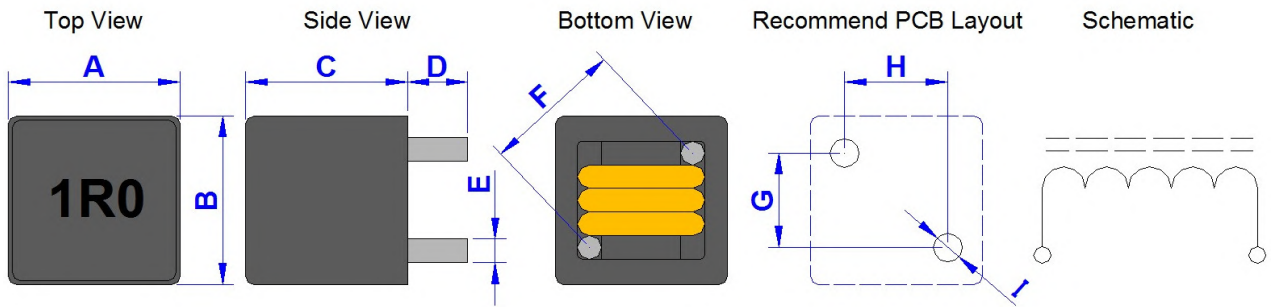


Notice : Iron Soldering , Solder < 30 Watt ,
Direct touch the terminal x 3 Sec. Max. @ 350 deg.C

Product Series : GMAZ	Brand : GOTREND
File Version : GMAZ-SERIES-V1R7	Editor : Teddy Sun
Established Date : 2011.12.28	Description : Dip Choke High Current
Latest Edit Date : 2020.11.06	Product Type : <input checked="" type="checkbox"/> Standard <input type="checkbox"/> Customize

GMAZ080806P-SERIES

Dimension [mm] :



Size	A+/-0.5	B+/-0.5	C+/-0.5	D+/-0.5	E+/-0.1	F+/-0.5	G [Ref.]	H [Ref.]	I [Ref.]
080806	8.00	8.00	6.50	3.50	By P/N	By P/N	By P/N	By P/N	By P/N

Electrical Characteristics :

Part No.	Inductance (uH)	DCR (m Ohm) Max.	Isat (A) Typ.	Irms (A) Typ.	DIMENTION(mm)				
					E +/-0.1	F +/-0.5	G [Ref.]	H [Ref.]	I [Ref.]
GMAZ080806P-R20M	0.20+/-20%	1.80	35.0	25.0	0.8	6.6	4.7	4.7	1.0
GMAZ080806P-R30M	0.30+/-20%	2.60	30.0	22.0	0.7	6.8	4.8	4.8	0.9
GMAZ080806P-R36M	0.36+/-20%	2.70	28.0	22.0	0.7	6.8	4.8	4.8	0.9
GMAZ080806P-R39M	0.39+/-20%	2.80	26.0	22.0	0.7	6.8	4.8	4.8	0.9
GMAZ080806P-R47M	0.47+/-20%	3.00	24.0	20.0	0.7	6.8	4.8	4.8	0.9
GMAZ080806P-R60M	0.60+/-20%	3.40	23.0	20.0	0.7	6.8	4.8	4.8	0.9
GMAZ080806P-R68M	0.68+/-20%	3.60	22.0	20.0	0.7	6.8	4.8	4.8	0.9
GMAZ080806P-R80M	0.80+/-20%	3.70	20.0	18.0	0.7	6.8	4.8	4.8	0.9
GMAZ080806P-1R0N	1.00+/-30%	4.00	19.0	18.0	0.7	6.8	4.8	4.8	0.9
GMAZ080806P-1R2M	1.20+/-20%	4.40	17.0	17.0	0.7	6.8	4.8	4.8	0.9
GMAZ080806P-1R5M	1.50+/-20%	5.00	16.0	16.0	0.7	6.8	4.8	4.8	0.9
GMAZ080806P-1R8M	1.80+/-20%	5.20	15.0	16.0	0.7	6.8	4.8	4.8	0.9
GMAZ080806P-2R2M	2.20+/-20%	7.70	14.0	14.0	0.6	6.9	4.9	4.9	0.8
GMAZ080806P-3R3M	3.30+/-20%	16.50	12.0	12.0	0.45	7.10	5.05	5.05	0.65

* Test Condition@100KHz,1Vrms, 25deg.C Ambient

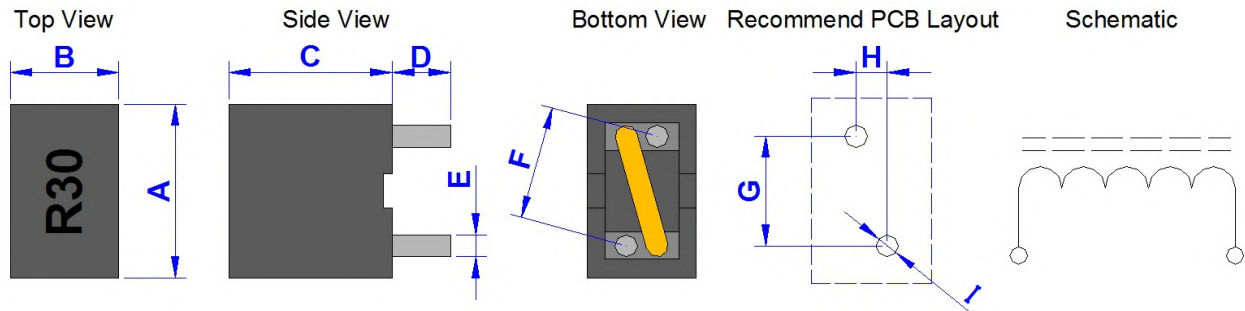
* Isat = Current loading caused L value drop approximately 20% typ.

* Irms = Current loading caused the parts temperature rise about 40deg.C typ.

Product Series : GMAZ	Brand : GOTREND
File Version : GMAZ-SERIES-V1R7	Editor : Teddy Sun
Established Date : 2011.12.28	Description : Dip Choke High Current
Latest Edit Date : 2020.11.06	Product Type : <input checked="" type="checkbox"/> Standard <input type="checkbox"/> Customize

GMAZ100609P-SERIES

Dimension [mm] :



Size	A+/-0.5	B+/-0.5	C+/-0.5	D+/-0.5	E+/-0.1	F+/-0.5	G [Ref.]	H [Ref.]	I [Ref.]
100609	10.30	6.30	9.50	3.50	By P/N	By P/N	By P/N	By P/N	By P/N

Electrical Characteristics :

Part No.	Inductance (uH)	DCR (m Ohm) Max.	Isat (A) Typ.	Irms (A) Typ.	DIMENTION(mm)				
					E +/-0.1	F +/-0.5	G [Ref.]	H [Ref.]	I [Ref.]
GMAZ100609P-R30N	0.30+/-30%	0.65	40.0	35.0	1.6	6.7	6.5	1.8	1.8
GMAZ100609P-R33M	0.33+/-20%	0.65	38.0	35.0	1.3	6.7	6.5	1.8	1.5
GMAZ100609P-R36M	0.36+/-20%	0.65	36.0	35.0	1.3	6.7	6.5	1.8	1.5
GMAZ100609P-R47M	0.47+/-20%	0.65	34.0	35.0	1.3	6.7	6.5	1.8	1.5

* Test Condition @ 100KHz, 1Vrms, 25deg.C Ambient

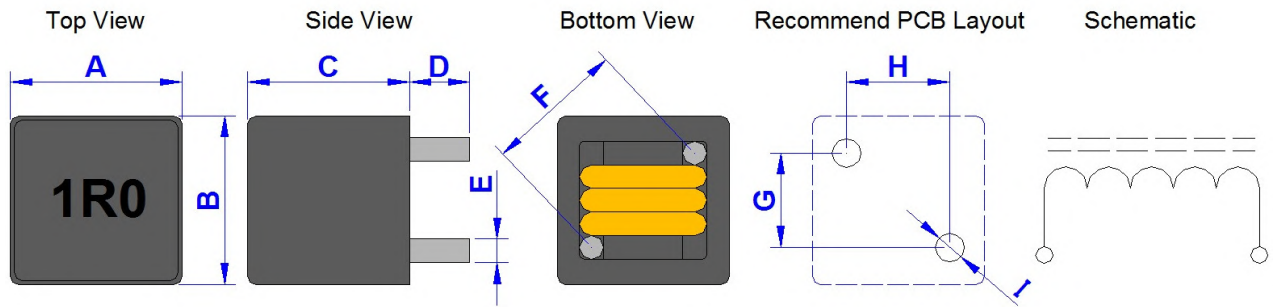
* Isat = Current loading caused L value drop approximately 20% typ.

* Irms = Current loading caused the parts temperature rise about 40deg.C typ.

Product Series : GMAZ	Brand : GOTREND
File Version : GMAZ-SERIES-V1R7	Editor : Teddy Sun
Established Date : 2011.12.28	Description : Dip Choke High Current
Latest Edit Date : 2020.11.06	Product Type : <input checked="" type="checkbox"/> Standard <input type="checkbox"/> Customize

GMAZ101009P-SERIES

Dimension [mm] :



Size	A+/-0.5	B+/-0.5	C+/-0.5	D+/-0.5	E+/-0.1	F+/-0.5	G [Ref.]	H [Ref.]	I [Ref.]
101009	10.20	10.20	9.30	3.50	By P/N	By P/N	By P/N	By P/N	By P/N

Electrical Characteristics :

Part No.	Inductance (uH)	DCR (m Ohm) Max.	Isat (A) Typ.	Irms (A) Typ.	DIMENTION(mm)				
					E +/-0.1	F +/-0.5	G [Ref.]	H [Ref.]	I [Ref.]
GMAZ101009P-R25N	0.25+/-30%	0.75	60.0	40.0	1.4	8.5	5.8	6.2	1.6
GMAZ101009P-R30M	0.30+/-20%	0.75	60.0	40.0	1.4	8.5	5.8	6.2	1.6
GMAZ101009P-R33M	0.33+/-20%	0.75	60.0	40.0	1.4	8.5	5.8	6.2	1.6
GMAZ101009P-R36M	0.36+/-20%	0.75	50.0	40.0	1.4	8.5	5.8	6.2	1.6
GMAZ101009P-R39N	0.39+/-30%	0.75	50.0	40.0	1.4	8.5	5.8	6.2	1.6
GMAZ101009P-R47N	0.47+/-30%	1.10	50.0	35.0	1.3	8.6	5.9	6.3	1.5
GMAZ101009P-R60M	0.60+/-20%	1.10	50.0	35.0	1.3	8.6	5.9	6.3	1.5
GMAZ101009P-1R0N	1.00+/-30%	1.80	40.0	27.0	1.2	8.8	6.0	6.4	1.4
GMAZ101009P-1R2M	1.20+/-20%	1.90	40.0	25.0	1.2	8.8	6.0	6.4	1.4
GMAZ101009P-1R5M	1.50+/-20%	2.80	30.0	21.0	1.0	9.1	6.2	6.6	1.2
GMAZ101009P-1R8M	1.80+/-20%	3.00	30.0	21.0	1.0	9.1	6.2	6.6	1.2
GMAZ101009P-2R2M	2.20+/-20%	4.00	30.0	18.0	0.9	9.2	6.3	6.7	1.1

* Test Condition @ 100KHz, 1Vrms, 25deg.C Ambient

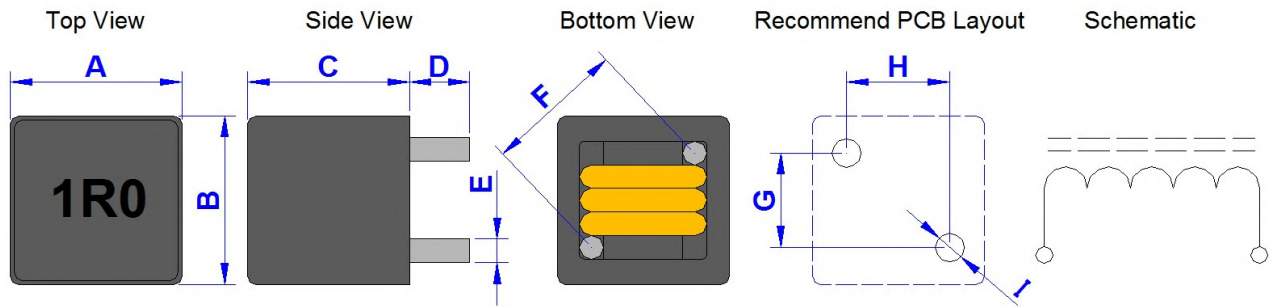
* Isat = Current loading caused L value drop approximately 20% typ.

* Irms = Current loading caused the parts temperature rise about 40deg.C typ.

Product Series : GMAZ	Brand : GOTREND
File Version : GMAZ-SERIES-V1R7	Editor : Teddy Sun
Established Date : 2011.12.28	Description : Dip Choke High Current
Latest Edit Date : 2020.11.06	Product Type : <input checked="" type="checkbox"/> Standard <input type="checkbox"/> Customize

GMAZ121209P-SERIES

Dimension [mm] :



Size	A+/-0.5	B+/-0.5	C+/-0.5	D+/-0.5	E+/-0.1	F+/-0.5	G [Ref.]	H [Ref.]	I [Ref.]
121209	12.20	12.20	9.50	3.50	By P/N	By P/N	By P/N	By P/N	By P/N

Electrical Characteristics :

Part No.	Inductance (uH)	DCR (m Ohm) Max.	Isat (A) Typ.	Irms (A) Typ.	DIMENTION(mm)				
					E +/-0.1	F +/-0.5	G [Ref.]	H [Ref.]	I [Ref.]
GMAZ121209P-R25M	0.25+/-20%	0.80	80.0	45.0	1.4	10.7	7.6	7.6	1.6
GMAZ121209P-R36N	0.36+/-30%	0.80	65.0	45.0	1.4	10.7	7.6	7.6	1.6
GMAZ121209P-R40M	0.40+/-20%	0.90	65.0	40.0	1.4	10.7	7.6	7.6	1.6
GMAZ121209P-R47M	0.47+/-20%	0.90	60.0	40.0	1.4	10.7	7.6	7.6	1.6
GMAZ121209P-R50M	0.50+/-20%	0.90	60.0	40.0	1.4	10.7	7.6	7.6	1.6
GMAZ121209P-R56M	0.56+/-20%	0.90	50.0	40.0	1.4	10.7	7.6	7.6	1.6
GMAZ121209P-R60N	0.60+/-30%	0.90	50.0	40.0	1.4	10.7	7.6	7.6	1.6
GMAZ121209P-R68M	0.68+/-20%	1.00	40.0	35.0	1.4	10.7	7.6	7.6	1.6
GMAZ121209P-R80M	0.80+/-20%	1.20	45.0	27.0	1.4	10.7	7.6	7.6	1.6
GMAZ121209P-1R0N	1.00+/-30%	1.40	45.0	25.0	1.4	10.7	7.6	7.6	1.6
GMAZ121209P-1R2M	1.20+/-20%	1.80	33.0	23.0	1.2	11.0	7.8	7.8	1.4
GMAZ121209P-1R5N	1.50+/-30%	2.00	32.0	21.0	1.2	11.0	7.8	7.8	1.4
GMAZ121209P-1R8M	1.80+/-20%	2.40	30.0	18.0	1.2	11.0	7.8	7.8	1.4
GMAZ121209P-2R0M	2.00+/-20%	3.20	27.0	15.0	1.0	11.3	8.0	8.0	1.2
GMAZ121209P-2R2M	2.20+/-20%	3.50	40.0	15.0	1.0	11.3	8.0	8.0	1.2
GMAZ121209P-2R5M	2.50+/-20%	4.00	30.0	15.0	1.0	11.3	8.0	8.0	1.2
GMAZ121209P-4R7M	4.70+/-20%	5.50	20.0	10.0	0.9	11.4	8.1	8.1	1.1

* Test Condition @ 100KHz, 1Vrms, 25deg.C Ambient

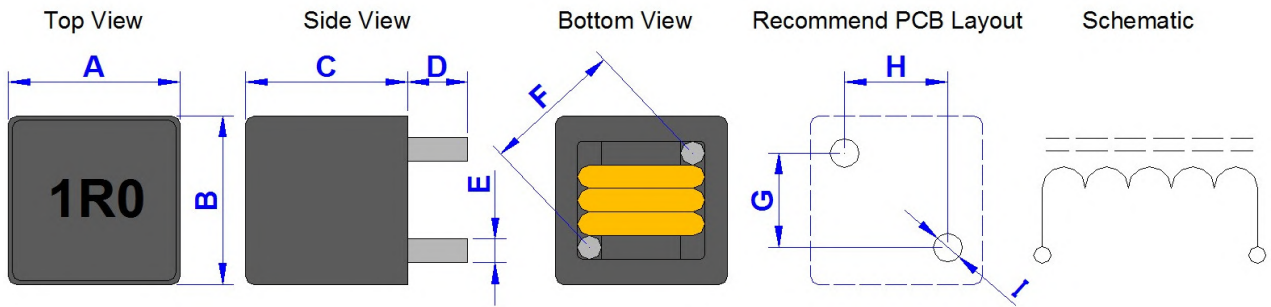
* Isat = Current loading caused L value drop approximately 20% typ.

* Irms = Current loading caused the parts temperature rise about 40deg.C typ.

Product Series : GMAZ	Brand : GOTREND
File Version : GMAZ-SERIES-V1R7	Editor : Teddy Sun
Established Date : 2011.12.28	Description : Dip Choke High Current
Latest Edit Date : 2020.11.06	Product Type : <input checked="" type="checkbox"/> Standard <input type="checkbox"/> Customize

GMAZ131210P-SERIES

Dimension [mm] :



Size	A+/-0.5	B+/-0.5	C+/-0.5	D+/-0.5	E+/-0.1	F+/-0.5	G [Ref.]	H [Ref.]	I [Ref.]
131210	13.00	12.00	10.80	3.50	By P/N	By P/N	By P/N	By P/N	By P/N

Electrical Characteristics :

Part No.	Inductance (uH)	DCR (m Ohm) Max.	Isat (A) Typ.	Irms (A) Typ.	DIMENTION(mm)				
					E +/-0.1	F +/-0.5	G [Ref.]	H [Ref.]	I [Ref.]
GMAZ131210P-R22M	0.22+/-20%	0.45	60.0	45.0	1.7	10.8	7.1	8.1	1.9
GMAZ131210P-R30M	0.30+/-20%	0.60	60.0	40.0	1.7	10.8	7.1	8.1	1.9
GMAZ131210P-R33M	0.33+/-20%	0.60	60.0	40.0	1.7	10.8	7.1	8.1	1.9
GMAZ131210P-R39M	0.39+/-20%	0.65	60.0	40.0	1.7	10.8	7.1	8.1	1.9
GMAZ131210P-R47M	0.47+/-20%	0.80	60.0	40.0	1.7	10.8	7.1	8.1	1.9
GMAZ131210P-R50M	0.50+/-20%	0.80	60.0	40.0	1.7	10.8	7.1	8.1	1.9
GMAZ131210P-R56N	0.56+/-30%	0.80	60.0	40.0	1.7	10.8	7.1	8.1	1.9
GMAZ131210P-R60M	0.60+/-20%	0.80	60.0	40.0	1.7	10.8	7.1	8.1	1.9
GMAZ131210P-R68M	0.68+/-20%	0.80	50.0	40.0	1.7	10.8	7.1	8.1	1.9
GMAZ131210P-R80M	0.80+/-20%	0.85	50.0	40.0	1.7	10.8	7.1	8.1	1.9
GMAZ131210P-1R0M	1.00+/-20%	1.25	50.0	30.0	1.5	11.0	7.3	8.3	1.7
GMAZ131210P-1R2M	1.20+/-20%	1.50	40.0	30.0	1.5	11.0	7.3	8.3	1.7
GMAZ131210P-1R5N	1.50+/-30%	1.60	40.0	30.0	1.5	11.0	7.3	8.3	1.7
GMAZ131210P-1R8M	1.80+/-20%	2.40	30.0	20.0	1.2	11.5	7.6	8.6	1.4
GMAZ131210P-2R0M	2.00+/-20%	2.40	25.0	17.0	1.2	11.5	7.6	8.6	1.4
GMAZ131210P-2R2M	2.20+/-20%	3.30	25.0	17.0	1.2	11.5	7.6	8.6	1.4
GMAZ131210P-3R3M	3.30+/-20%	7.40	20.0	15.0	0.8	12.0	8.0	9.0	1.0

* Test Condition @ 100KHz, 1Vrms, 25deg.C Ambient

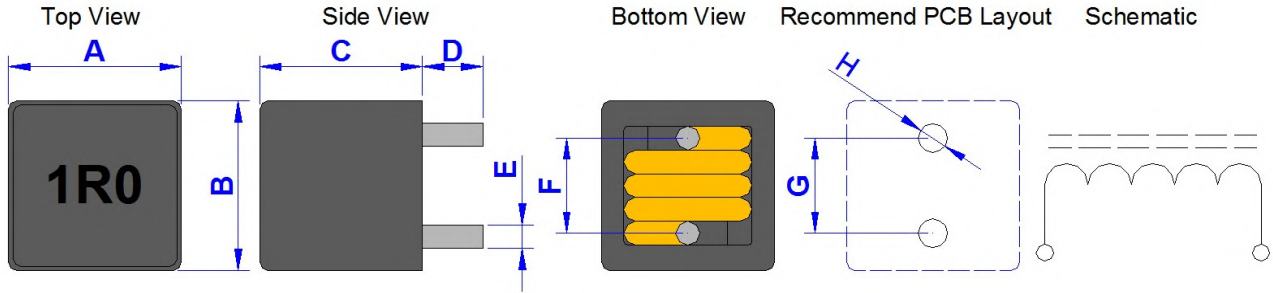
* Isat = Current loading caused L value drop approximately 20% typ.

* Irms = Current loading caused the parts temperature rise about 40deg.C typ.

Product Series : GMAZ	Brand : GOTREND
File Version : GMAZ-SERIES-V1R7	Editor : Teddy Sun
Established Date : 2011.12.28	Description : Dip Choke High Current
Latest Edit Date : 2020.11.06	Product Type : <input checked="" type="checkbox"/> Standard <input type="checkbox"/> Customize

GMAZ080806PS-SERIES

Dimension [mm] :



Size	A+/-0.5	B+/-0.5	C+/-0.5	D+/-0.5	E+/-0.1	F+/-0.5	G [Ref.]	H [Ref.]
080806	8.00	8.00	6.50	3.50	By P/N	By P/N	By P/N	By P/N

Electrical Characteristics :

Part No.	Inductance (uH)	DCR (m Ohm) Max.	Isat (A) Typ.	Irms (A) Typ.	DIMENTION(mm)			
					E +/-0.1	F +/-0.5	G [Ref.]	H [Ref.]
GMAZ080806PS-R10M	0.10+/-20%	1.10	50.0	29.0	0.9	4.6	4.6	1.1
GMAZ080806PS-R22M	0.22+/-20%	1.45	31.0	24.5	0.9	4.6	4.6	1.1
GMAZ080806PS-R33M	0.33+/-20%	1.45	38.0	24.5	0.9	4.6	4.6	1.1
GMAZ080806PS-R36M	0.36+/-20%	1.45	30.0	24.5	0.9	4.6	4.6	1.1
GMAZ080806PS-R47M	0.47+/-20%	2.40	30.0	19.0	0.8	4.7	4.7	1.0
GMAZ080806PS-R56M	0.56+/-20%	2.40	28.0	19.0	0.8	4.7	4.7	1.0
GMAZ080806PS-R68M	0.68+/-20%	3.60	25.0	15.5	0.7	4.8	4.8	0.9
GMAZ080806PS-R80M	0.80+/-20%	4.10	23.0	15.4	0.7	4.8	4.8	0.9
GMAZ080806PS-1R0M	1.00+/-20%	4.10	21.0	14.6	0.7	4.8	4.8	0.9
GMAZ080806PS-1R2M	1.20+/-20%	4.10	21.0	14.6	0.7	4.8	4.8	0.9
GMAZ080806PS-1R5M	1.50+/-20%	7.20	18.0	10.1	0.6	4.9	4.9	0.8
GMAZ080806PS-2R2M	2.20+/-20%	9.00	16.0	10.0	0.55	4.95	4.95	0.75
GMAZ080806PS-2R8M	2.80+/-20%	12.00	15.0	9.5	0.5	5.0	5.0	0.7
GMAZ080806PS-3R3M	3.30+/-20%	16.50	14.0	9.2	0.45	5.05	5.05	0.65
GMAZ080806PS-4R7M	4.70+/-20%	25.00	12.0	8.0	0.38	5.12	5.12	0.58

* Test Condition@100KHz,1Vrms, 25deg.C Ambient

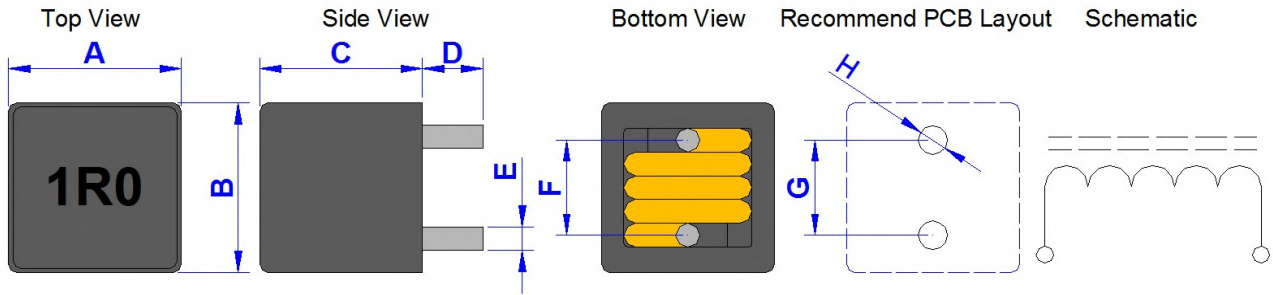
* Isat = Current loading caused L value drop approximately 20% typ.

* Irms = Current loading caused the parts temperature rise about 40deg.C typ.

Product Series : GMAZ	Brand : GOTREND
File Version : GMAZ-SERIES-V1R7	Editor : Teddy Sun
Established Date : 2011.12.28	Description : Dip Choke High Current
Latest Edit Date : 2020.11.06	Product Type : <input checked="" type="checkbox"/> Standard <input type="checkbox"/> Customize

GMAZ101009PS-SERIES

Dimension [mm] :



Size	A+/-0.5	B+/-0.5	C+/-0.5	D+/-0.5	E+/-0.1	F+/-0.5	G [Ref.]	H [Ref.]
101009	10.20	10.20	9.30	3.50	By P/N	By P/N	By P/N	By P/N

Electrical Characteristics :

Part No.	Inductance (uH)	DCR (m Ohm) Max.	Isat (A) Typ.	Irms (A) Typ.	DIMENTION(mm)			
					E +/-0.1	F +/-0.5	G [Ref.]	H [Ref.]
GMAZ101009PS-R30M	0.30+/-20%	0.75	60.0	40.0	1.4	5.8	5.8	1.6
GMAZ101009PS-R33M	0.33+/-20%	0.75	60.0	40.0	1.4	5.8	5.8	1.6
GMAZ101009PS-R36M	0.36+/-20%	0.75	50.0	40.0	1.4	5.8	5.8	1.6
GMAZ101009PS-R60M	0.60+/-20%	1.20	50.0	35.0	1.3	5.9	5.9	1.5
GMAZ101009PS-1R0M	1.00+/-20%	2.20	40.0	27.0	1.1	6.1	6.1	1.3
GMAZ101009PS-1R2M	1.20+/-20%	2.20	40.0	25.0	1.1	6.1	6.1	1.3
GMAZ101009PS-1R5M	1.50+/-20%	3.60	30.0	21.0	0.9	6.3	6.3	1.1
GMAZ101009PS-1R8M	1.80+/-20%	3.60	30.0	21.0	0.9	6.3	6.3	1.1
GMAZ101009PS-2R2M	2.20+/-20%	5.40	30.0	18.0	0.8	6.4	6.4	1.0

* Test Condition @ 100KHz, 1Vrms, 25deg.C Ambient

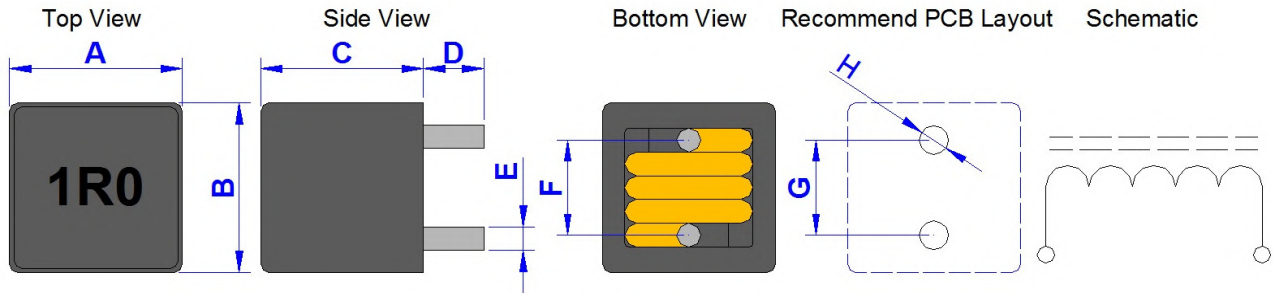
* Isat = Current loading caused L value drop approximately 20% typ.

* Irms = Current loading caused the parts temperature rise about 40deg.C typ.

Product Series : GMAZ	Brand : GOTREND
File Version : GMAZ-SERIES-V1R7	Editor : Teddy Sun
Established Date : 2011.12.28	Description : Dip Choke High Current
Latest Edit Date : 2020.11.06	Product Type : <input checked="" type="checkbox"/> Standard <input type="checkbox"/> Customize

GMAZ121209PS-SERIES

Dimension [mm] :



Size	A+/-0.5	B+/-0.5	C+/-0.5	D+/-0.5	E+/-0.1	F+/-0.5	G [Ref.]	H [Ref.]
121209	12.20	12.20	9.50	3.50	By P/N	By P/N	By P/N	By P/N

Electrical Characteristics :

Part No.	Inductance (uH)	DCR (m Ohm) Max.	Isat (A) Typ.	Irms (A) Typ.	DIMENTION(mm)			
					E +/-0.1	F +/-0.5	G [Ref.]	H [Ref.]
GMAZ121209PS-R22M	0.22+/-20%	0.60	56.0	38.0	1.4	7.6	7.6	1.6
GMAZ121209PS-R39N	0.39+/-30%	0.80	45.0	33.0	1.4	7.6	7.6	1.6
GMAZ121209PS-R47M	0.47+/-20%	1.00	40.0	30.0	1.4	7.6	7.6	1.6
GMAZ121209PS-R56M	0.56+/-20%	1.00	40.0	30.0	1.4	7.6	7.6	1.6
GMAZ121209PS-R68M	0.68+/-20%	1.00	40.0	30.0	1.4	7.6	7.6	1.6
GMAZ121209PS-R80M	0.80+/-20%	1.30	36.0	26.0	1.4	7.6	7.6	1.6
GMAZ121209PS-1R0N	1.00+/-30%	2.10	32.0	21.0	1.2	7.8	7.8	1.4
GMAZ121209PS-1R5N	1.50+/-30%	2.40	30.0	16.0	1.2	7.8	7.8	1.4
GMAZ121209PS-2R2M	2.20+/-20%	3.80	24.0	13.6	1.0	8.0	8.0	1.2
GMAZ121209PS-2R8M	2.80+/-20%	4.00	20.0	12.3	1.0	8.0	8.0	1.2
GMAZ121209PS-3R3M	3.30+/-20%	5.20	16.0	11.2	0.9	8.1	8.1	1.1
GMAZ121209PS-4R7M	4.70+/-20%	7.50	15.0	10.0	0.8	8.2	8.2	1.0
GMAZ121209PS-8R2M	8.20+/-20%	15.60	10.0	8.5	0.6	8.4	8.4	0.8

* Test Condition@100KHz,1Vrms, 25deg.C Ambient

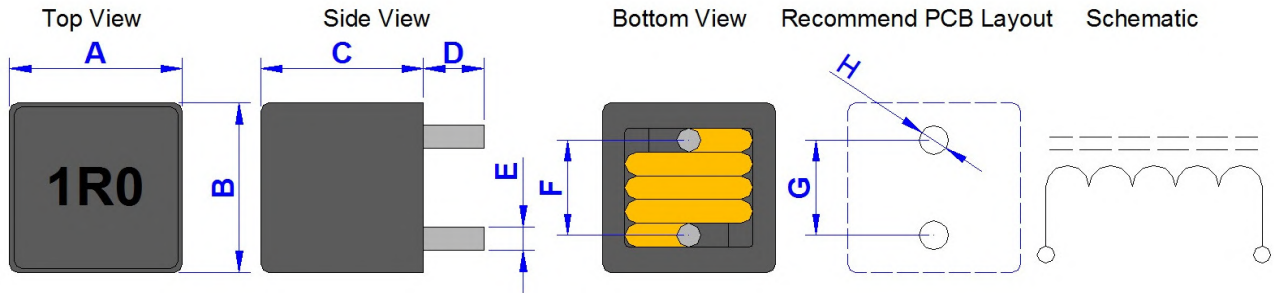
* Isat = Current loading caused L value drop approximately 20% typ.

* Irms = Current loading caused the parts temperature rise about 40deg.C typ.

Product Series : GMAZ	Brand : GOTREND
File Version : GMAZ-SERIES-V1R7	Editor : Teddy Sun
Established Date : 2011.12.28	Description : Dip Choke High Current
Latest Edit Date : 2020.11.06	Product Type : <input checked="" type="checkbox"/> Standard <input type="checkbox"/> Customize

GMAZ131210PS-SERIES

Dimension [mm] :



Size	A+/-0.5	B+/-0.5	C+/-0.5	D+/-0.5	E+/-0.1	F+/-0.5	G [Ref.]	H [Ref.]
131210	13.00	12.00	10.80	3.50	By P/N	By P/N	By P/N	By P/N

Electrical Characteristics :

Part No.	Inductance (uH)	DCR (m Ohm) Max.	Isat (A) Typ.	Irms (A) Typ.	DIMENTION(mm)			
					E +/-0.1	F +/-0.5	G [Ref.]	H [Ref.]
GMAZ131210PS-R22M	0.22+/-20%	0.45	60.0	45.0	1.7	7.1	7.1	1.9
GMAZ131210PS-R30M	0.30+/-20%	0.60	60.0	40.0	1.7	7.1	7.1	1.9
GMAZ131210PS-R33M	0.33+/-20%	0.60	60.0	40.0	1.7	7.1	7.1	1.9
GMAZ131210PS-R39M	0.39+/-20%	0.65	60.0	40.0	1.7	7.1	7.1	1.9
GMAZ131210PS-R47M	0.47+/-20%	0.80	60.0	40.0	1.7	7.1	7.1	1.9
GMAZ131210PS-R50M	0.50+/-20%	0.80	60.0	40.0	1.7	7.1	7.1	1.9
GMAZ131210PS-R56N	0.56+/-30%	0.80	60.0	40.0	1.7	7.1	7.1	1.9
GMAZ131210PS-R60M	0.60+/-20%	0.80	60.0	40.0	1.7	7.1	7.1	1.9
GMAZ131210PS-R68M	0.68+/-20%	0.80	50.0	40.0	1.7	7.1	7.1	1.9
GMAZ131210PS-R80M	0.80+/-20%	0.85	50.0	40.0	1.7	7.1	7.1	1.9
GMAZ131210PS-1R0M	1.00+/-20%	1.35	50.0	30.0	1.4	7.4	7.4	1.6
GMAZ131210PS-1R2M	1.20+/-20%	1.40	40.0	30.0	1.4	7.4	7.4	1.6
GMAZ131210PS-1R5M	1.50+/-20%	1.45	35.0	23.5	1.1	7.7	7.7	1.3
GMAZ131210PS-2R2M	2.20+/-20%	2.50	30.0	20.0	1.1	7.7	7.7	1.3
GMAZ131210PS-6R8M	6.80+/-20%	10.00	18.0	11.0	0.8	8.0	8.0	1.0
GMAZ131210PS-100M	10.00+/-20%	15.50	13.0	7.5	0.7	8.1	8.1	0.9

* Test Condition@100KHz,1Vrms, 25deg.C Ambient

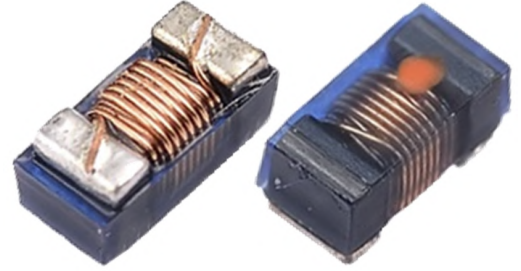
* Isat = Current loading caused L value drop approximately 20% typ.

* I rms = Current loading caused the parts temperature rise about 40deg.C typ.

Product Series : GNLC	Brand : GOTREND
File Version : GNLC-SERIES-V5R5	Editor : Teddy Sun
Established Date : 2009.05.07	Description : Molding Wound Inductor - IDC Enhanced
Latest Edit Date : 2020.10.30	Product Type : <input checked="" type="checkbox"/> Standard <input type="checkbox"/> Customize

Features & Application :

- * High-Current : DC Current Enhanced
- * Fit for power line & signal line circuit
- * To help you go pass the CE/FCC standard.
- * Mobile Device / Handheld Device / LowProfile Device / Panel...



(Picture for reference only)

Part No. Example :

PN	:	GNLC	3225	P		-	6R8	J
-----		-----	-----	---	-----		----	----
ID	:	1	2	3	4		5	6
1	:	GOTREND SERIES : GNLC						
2	:	Dimension Code : 3225 [L-3.6 x W-2.9 mm]						
3	:	Pb Free Code:Sony GP rule-PAD Pb<1000ppm						
4	:	[R] : Low DCR Type						
5	:	[L] Value : Inductance 68N=0.068uH , 6R8 = 6.8uH						
6	:	Tolerance : J=5% , K=10%						


Basic Information :

Made in	China
Pin Foot	SMD
Shielding	No
J-STD-020	MSL Level 1
RoHS	Compliant
REACH	Compliant
Halogen	Free

Operating & Storage Condition :

- * Operating Temp -40 ~ +125 deg.C (Including self - temperature rise)
- * Storage Temp 1. -10 ~ +45 deg.C , 50 ~ 60% RH (Product with taping)
2. -40 ~ +125 deg.C (On board)
- * Storage Life Time 6 Month (Less than 40 deg.C and 60% RH)

Attention & Caution :

- * Keep out of Splashing water or salt water
- * Avoid Toxic Gas (Hydrogen sulfide, Sulfurous acid, Chlorine, Ammonia)
-  Vibrations or shocks which exceed the specified condition
- Dew condense
- Layout near the edge of PCB
- Over flexure after SMT mounting & PCBA

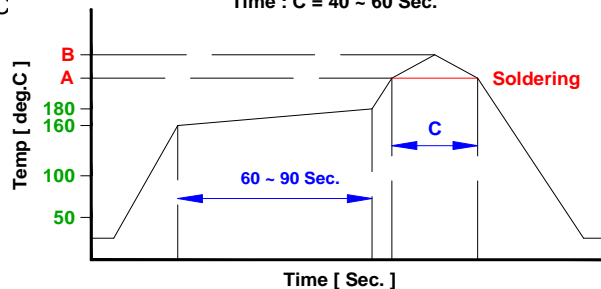
- * Pin foot or SMD pad solderability: Pb free type is best within 6 months after delivery
- * Humidity sensitive , IPC/JEDEC J-STD-020 MSL if over Level 1, recommend bake 30mins@150 degree before PCBA
- * Caution for human life relative applications : PLS contact & consult with GOTREND team in design stage.

Test Condition :

- * Equipment HP4284A , HP42841A - L , Q , DCR , IDC
HP8753D Network analyzer - SRF
- * Standard Atmosphere Conditions:
Ambient Temperature 20 ± 15 deg.C
Humidity RH 65 ± 20%
- * If there may be any doubt on the test result ,
Measurement shall be made within the following limits:
Ambient Temperature 25 ± 5 deg.C
Humidity RH 75 ± 10%

Recommend IR Reflow Curve : GTX-IR-FILE001

Lead Free Solder : A = 217 deg.C , B = 245+/-5 deg.C
Time : C = 40 ~ 60 Sec.

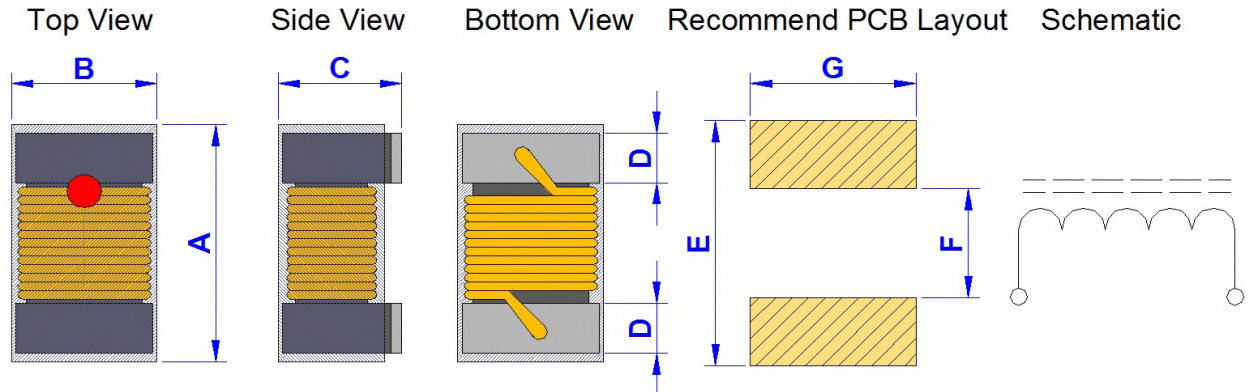


Notice : Iron Soldering , Solder < 30 Watt ,
Direct touch the terminal x 3 Sec. Max. @ 350 deg.C

Product Series : GNLC	Brand : GOTREND
File Version : GNLC-SERIES-V5R5	Editor : Teddy Sun
Established Date : 2009.05.07	Description : Molding Wound Inductor - IDC Enhanced
Latest Edit Date : 2020.10.30	Product Type : <input checked="" type="checkbox"/> Standard <input type="checkbox"/> Customize

GNLC1610PR-SERIES

Dimension [mm] :



Marking : The sense value represented by the color point please see the electrical specification.

Size	A	B	C	D	E	F	G
1610PR	1.8 MAX.	1.20 MAX.	1.00 MAX.	0.33 Ref.	1.92	0.80	1.02

Electrical Characteristics :

Part No.	Inductance (uH)	Tolerance (± %)	Q value (Typ.)	Test Freq. (MHz)	S.R.F (MHz) (Typ.)	DCR (Ohm) (+/-30%)	IDC (mA) (Typ.)	Irms (mA) (Typ.)	Color-Dot Marking
GNLC1610PR-1R0□	1.00	K,M	16	7.9	390.0	0.32	860	700	Black
GNLC1610PR-1R5□	1.50	K,M	16	7.9	160.0	0.40	720	600	Brown
GNLC1610PR-1R8□	1.80	K,M	16	7.9	121.0	0.43	640	580	Red
GNLC1610PR-2R2□	2.20	K,M	16	7.9	103.0	0.56	600	580	Orange
GNLC1610PR-2R7□	2.70	K,M	16	7.9	72.0	0.62	540	500	Yellow
GNLC1610PR-3R3□	3.30	K,M	16	7.9	66.0	0.70	500	500	Green
GNLC1610PR-3R9□	3.90	K,M	16	7.9	61.0	0.83	460	460	Blue
GNLC1610PR-4R7□	4.70	K,M	16	7.9	51.0	0.97	400	420	Violet
GNLC1610PR-5R6□	5.60	K,M	16	7.9	47.0	1.10	380	380	Gray
GNLC1610PR-6R8□	6.80	K,M	16	7.9	43.0	1.50	340	340	White
GNLC1610PR-8R2□	8.20	K,M	16	7.9	40.0	1.68	300	300	Black
GNLC1610PR-100□	10.00	K,M	14	2.5	36.0	1.85	280	280	Brown
GNLC1610PR-120□	12.00	K,M	14	2.5	32.0	2.28	260	260	Red
GNLC1610PR-150□	15.00	K,M	14	2.5	29.0	2.60	240	240	Orange
GNLC1610PR-180□	18.00	K,M	14	2.5	28.0	2.90	220	220	Yellow
GNLC1610PR-220□	22.00	K,M	14	2.5	24.0	3.61	200	200	Green
GNLC1610PR-270□	27.00	K,M	14	2.5	20.0	5.20	140	140	Blue
GNLC1610PR-330□	33.00	K,M	14	2.5	15.0	6.60	120	120	Violet

* Tolerance Code : □ K=+/-10%, M=+/-20% (all available)

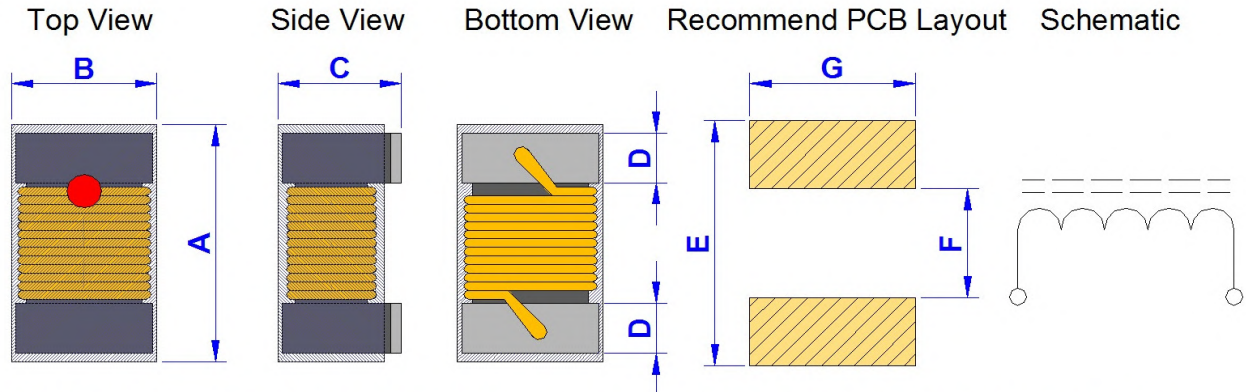
* IDC for Inductance drop 10% from its value without current.

* Irms for a 15deg.C rise above 25deg.C ambient.

Product Series : GNLC	Brand : GOTREND
File Version : GNLC-SERIES-V5R5	Editor : Teddy Sun
Established Date : 2009.05.07	Description : Molding Wound Inductor - IDC Enhanced
Latest Edit Date : 2020.10.30	Product Type : <input checked="" type="checkbox"/> Standard <input type="checkbox"/> Customize

GNLC2012PR-SERIES

Dimension [mm] :



Marking : The sense value represented by the color point please see the electrical specification.

Size	A	B	C	D	E	F	G
2012PR	2.4 Max.	1.65 Max.	1.25 Max.	0.44 Ref.	2.80	0.96	1.78

Electrical Characteristics :

Part No.	Inductance (uH)	Tolerance (± %)	Q value (Typ.)	Test Freq. (MHz)	S.R.F (MHz) (Typ.)	DCR (Ohm) (+/-30%)	IDC (mA) (Typ.)	Irms (mA) (Typ.)	Color-Dot Marking
GNLC2012PR-R47□	0.47	K,M	14	7.9	850.0	0.12	1400	1500	Blue
GNLC2012PR-R68□	0.68	K,M	14	7.9	765.0	0.15	1200	1300	Gray
GNLC2012PR-1R0□	1.00	J,K,M	14	7.9	208.0	0.13	1100	1300	Black
GNLC2012PR-1R2□	1.20	J,K,M	14	7.9	159.0	0.16	960	1270	Red
GNLC2012PR-1R5□	1.50	J,K,M	14	7.9	159.0	0.17	920	1260	Brown
GNLC2012PR-1R8□	1.80	J,K,M	14	7.9	112.0	0.20	860	1080	Orange
GNLC2012PR-2R2□	2.20	J,K,M	13	7.9	87.0	0.22	740	1040	Red
GNLC2012PR-2R7□	2.70	J,K,M	13	7.9	72.0	0.25	680	1040	Yellow
GNLC2012PR-3R3□	3.30	J,K,M	12	7.9	70.0	0.28	620	1020	Orange
GNLC2012PR-3R9□	3.90	J,K,M	14	7.9	61.0	0.38	580	960	Green
GNLC2012PR-4R7□	4.70	J,K,M	14	7.9	51.0	0.43	520	840	Yellow
GNLC2012PR-5R6□	5.60	J,K,M	12	7.9	47.0	0.50	480	800	Blue
GNLC2012PR-6R8□	6.80	J,K,M	14	7.9	46.0	0.68	420	700	Green
GNLC2012PR-8R2□	8.20	J,K,M	13	7.9	33.0	0.73	400	680	Violet
GNLC2012PR-100□	10.00	J,K,M	14	2.5	31.0	0.85	360	560	Blue
GNLC2012PR-120□	12.00	J,K,M	14	2.5	30.0	0.90	340	460	Gray
GNLC2012PR-150□	15.00	J,K,M	15	2.5	28.0	1.40	300	380	Violet
GNLC2012PR-180□	18.00	J,K,M	15	2.5	27.0	1.55	280	360	White
GNLC2012PR-220□	22.00	J,K,M	15	2.5	20.0	1.76	240	340	Gray
GNLC2012PR-270□	27.00	J,K,M	15	2.5	17.0	2.00	220	300	Black
GNLC2012PR-330□	33.00	J,K,M	15	2.5	17.0	2.35	200	300	White
GNLC2012PR-470□	47.00	J,K,M	14	2.5	15.0	3.40	160	280	Black
GNLC2012PR-560□	56.00	J,K,M	14	2.5	10.0	4.42	150	240	Yellow
GNLC2012PR-680□	68.00	J,K,M	14	2.5	10.0	4.45	140	240	Brown
GNLC2012PR-820□	82.00	J,K,M	14	2.5	10.0	7.50	100	180	Orange
GNLC2012PR-101□	100.00	J,K,M	10	1.0	9.0	7.50	100	180	Red

* Tolerance Code : □ J=+/-5%, K=+/-10%, M=+/-20% (all available)

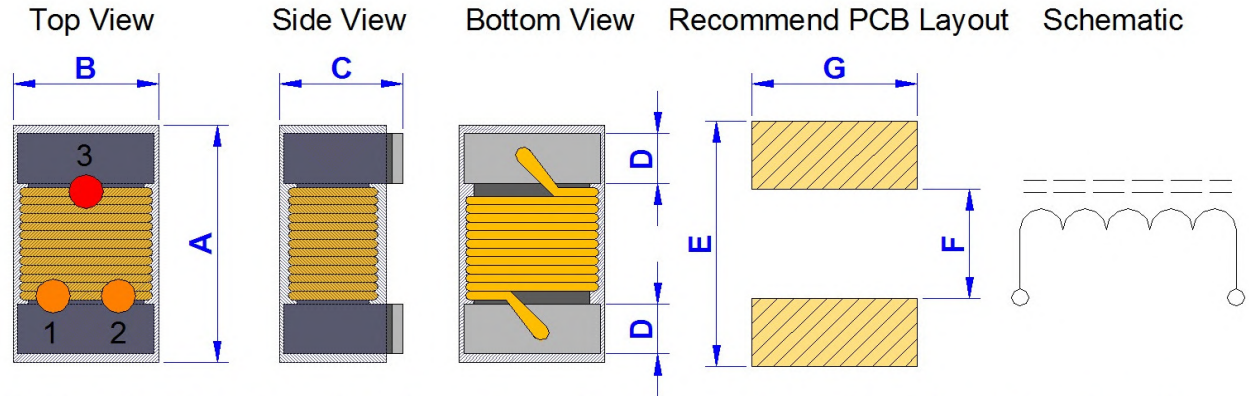
* IDC for Inductance drop 10% from its value without current.

* I rms for a 15deg.C rise above 25deg.C ambient.

Product Series : GNLC	Brand : GOTREND
File Version : GNLC-SERIES-V5R5	Editor : Teddy Sun
Established Date : 2009.05.07	Description : Molding Wound Inductor - IDC Enhanced
Latest Edit Date : 2020.10.30	Product Type : <input checked="" type="checkbox"/> Standard <input type="checkbox"/> Customize

GNLC2520P-SERIES

Dimension [mm] :



Marking : 1. Color point code : 0 1 2 3 4 5 6 7 8 9
 Black Brown Red Orange Yellow Green Blue Violet Gray White

2. Color point inductance conversion method: [(1st. dot x 10) + 2nd. dot] x 10^{3rd. dot} = nH

Size	A	B	C	D	E	F	G
2520	2.9 Max.	2.54 Max.	2.00 Max.	0.50 Ref.	3.31	1.27	2.54

Electrical Characteristics :

Part No.	Inductance (uH)	Tolerance (± %)	Q value (Min.)	Test Freq. (MHz)	S.R.F (MHz) (Min.)	DCR (Ohm) (Max.)	IDC (mA) (Max.)	Irms (mA) (Typ.)	Color-Dot Marking		
GNLC2520P-R22□	0.22	J,K	35	25	800	0.15	2600	2400	Red	Red	Brown
GNLC2520P-R47□	0.47	J,K	35	25	460	0.20	2400	1100	Yellow	Violet	Brown
GNLC2520P-R82□	0.82	J,K	35	25	360	0.35	1800	1000	Gray	Red	Brown
GNLC2520P-1R0□	1.0	J,K	32	7.9	340	0.34	2100	900	Brown	Black	Red
GNLC2520P-1R2□	1.2	J,K	25	7.9	290	0.25	1900	860	Brown	Red	Red
GNLC2520P-1R5□	1.5	J,K	32	7.9	230	0.42	1800	740	Brown	Green	Red
GNLC2520P-1R8□	1.8	J,K	27	7.9	180	0.45	1700	720	Brown	Gray	Red
GNLC2520P-2R2□	2.2	J,K	27	7.9	140	0.50	1500	700	Red	Red	Red
GNLC2520P-2R7□	2.7	J,K	27	7.9	130	0.55	1300	560	Red	Violet	Red
GNLC2520P-3R3□	3.3	J,K	27	7.9	125	0.60	1300	540	Orange	Orange	Red
GNLC2520P-3R9□	3.9	J,K	27	7.9	100	0.80	1200	480	Orange	White	Red
GNLC2520P-4R7□	4.7	J,K	27	7.9	90	0.90	1100	400	Yellow	Violet	Red
GNLC2520P-5R6□	5.6	J,K	27	7.9	60	1.00	1000	400	Green	Blue	Red
GNLC2520P-6R8□	6.8	J,K	27	7.9	60	1.05	950	420	Blue	Gray	Red
GNLC2520P-8R2□	8.2	J,K	25	7.9	55	1.20	850	380	Gray	Red	Red
GNLC2520P-100□	10.0	J,K	23	2.5	55	1.55	800	240	Brown	Black	Orange
GNLC2520P-120□	12.0	J,K	23	2.5	36	2.10	630	220	Brown	Red	Orange
GNLC2520P-150□	15.0	J,K	23	2.5	36	2.38	580	200	Brown	Green	Orange
GNLC2520P-180□	18.0	J,K	23	2.5	32	2.50	550	180	Brown	Gray	Orange
GNLC2520P-220□	22.0	J,K	23	2.5	29	2.92	550	180	Red	Red	Orange
GNLC2520P-330□	33.0	J,K	23	2.5	21	4.10	450	140	Orange	Orange	Orange
GNLC2520P-390□	39.0	J,K	18	2.5	15	5.50	340	270	Orange	White	Orange
GNLC2520P-470□	47.0	J,K	23	2.5	17	7.80	350	100	Yellow	Violet	Orange
GNLC2520P-680□	68.0	J,K	20	2.5	9	11.50	260	100	Blue	Gray	Orange

* Tolerance Code : □ J=+/-5%, K=+/-10% (all available)

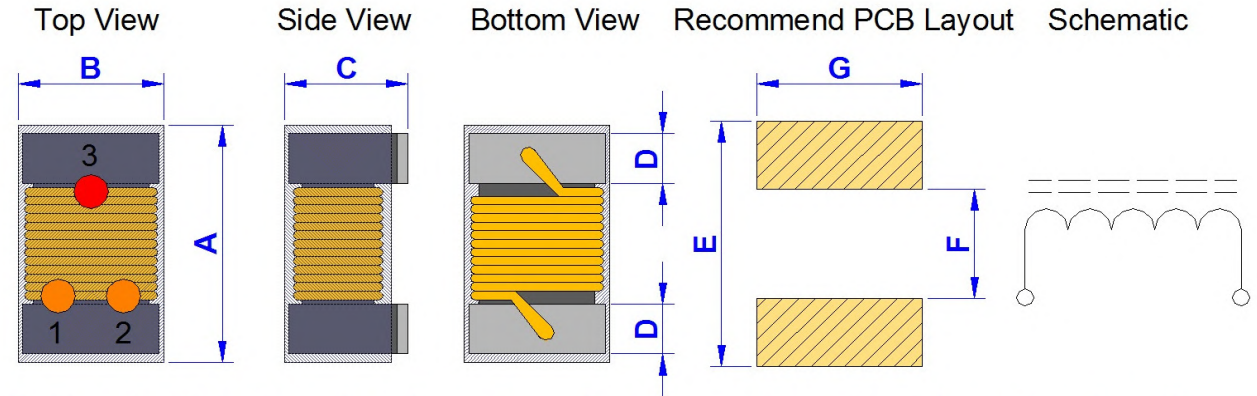
* IDC for Inductance drop 10% from its value without current.

* Irms for a 15deg.C rise above 25deg.C ambient.

Product Series : GNLC	Brand : GOTREND
File Version : GNLC-SERIES-V5R5	Editor : Teddy Sun
Established Date : 2009.05.07	Description : Molding Wound Inductor - IDC Enhanced
Latest Edit Date : 2020.10.30	Product Type : <input checked="" type="checkbox"/> Standard <input type="checkbox"/> Customize

GNLC2520P-SERIES

Dimension [mm] :



Marking : 1. Color point code : 0 1 2 3 4 5 6 7 8 9
 Black Brown Red Orange Yellow Green Blue Violet Gray White

2. Color point inductance conversion method: [(1st. dot x 10) + 2nd. dot] x 10^{3rd. dot} = nH

Size	A	B	C	D	E	F	G
2520	2.9 Max.	2.54 Max.	2.00 Max.	0.50 Ref.	3.31	1.27	2.54

Electrical Characteristics :

Part No.	Inductance (uH)	Tolerance (± %)	Q value (Min.)	Test Freq. (MHz)	S.R.F (MHz) (Min.)	DCR (Ohm) (Max.)	IDC (mA) (Max.)	Irms (mA) (Typ.)	Color-Dot Marking		
									1st	2nd	3rd
GNLC2520P-101□	100.0	J,K	13	1.0	4	13.20	200	100	Brown	Black	Yellow
GNLC2520P-221□	220.0	J,K	13	1.0	3	25.50	140	60	Red	Red	Yellow
GNLC2520P-331□	330.0	J,K	13	1.0	2	32.50	110	50	Orange	Orange	Yellow

* Tolerance Code : □ J=+/-5%, K=+/-10% (all available)

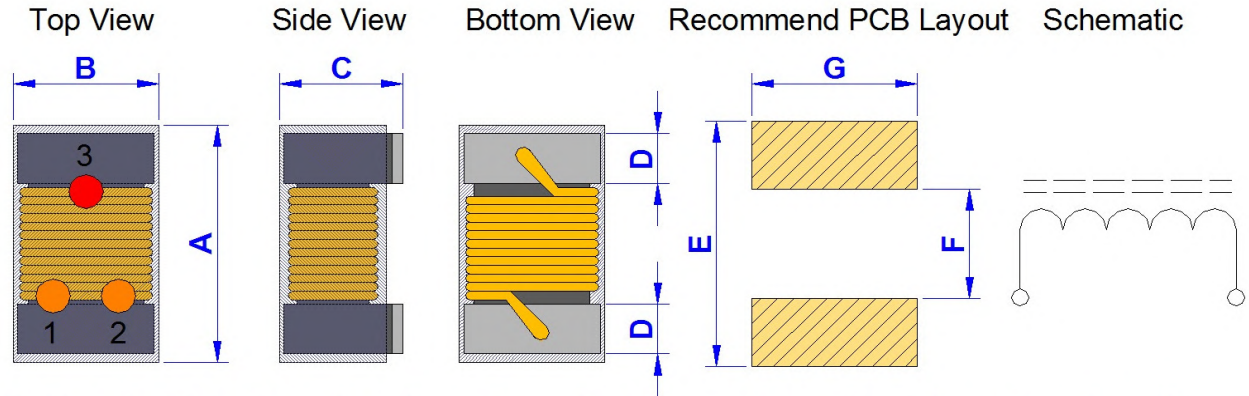
* IDC for Inductance drop 10% from its value without current.

* I rms for a 15deg.C rise above 25deg.C ambient.

Product Series : GNLC	Brand : GOTREND
File Version : GNLC-SERIES-V5R5	Editor : Teddy Sun
Established Date : 2009.05.07	Description : Molding Wound Inductor - IDC Enhanced
Latest Edit Date : 2020.10.30	Product Type : <input checked="" type="checkbox"/> Standard <input type="checkbox"/> Customize

GNLC3225P-SERIES

Dimension [mm] :



Marking : 1. Color point code : 0 1 2 3 4 5 6 7 8 9
 Black Brown Red Orange Yellow Green Blue Violet Gray White

2. Color point inductance conversion method: [(1st. dot x 10) + 2nd. dot] x 10^{3rd. dot} = nH

Size	A	B	C	D	E	F	G
3225	3.6 Max.	2.90 Max.	2.50 Max.	0.50 Ref.	4.40	2.00	2.70

Electrical Characteristics :

Part No.	Inductance (uH)	Tolerance (± %)	Q value (Min.)	Test Freq. (MHz)	S.R.F (MHz) (Min.)	DCR (Ohm) (Max.)	IDC (mA) (Max.)	Color-Dot Marking		
GNLC3225P-R39□	0.39	J	40	25.0	500	0.09	3000	Orange	White	Brown
GNLC3225P-R47□	0.47	J,K	40	25.0	500	0.09	3000	Yellow	Violet	Brown
GNLC3225P-R56□	0.56	K	40	25.0	500	0.10	3000	Green	Blue	Brown
GNLC3225P-1R0□	1.0	J,K	35	7.9	340	0.13	2600	Brown	Black	Red
GNLC3225P-1R2□	1.2	J,K	35	7.9	280	0.14	2400	Brown	Red	Red
GNLC3225P-1R5□	1.5	J,K	30	7.9	160	.014	2200	Brown	Green	Red
GNLC3225P-1R8□	1.8	J,K	30	7.9	120	.016	2000	Brown	Gray	Red
GNLC3225P-2R2□	2.2	J,K	30	7.9	100	0.17	1900	Red	Red	Red
GNLC3225P-2R5□	2.5	J,K	30	7.9	80	0.19	1700	Red	Green	Red
GNLC3225P-3R3□	3.3	J,K	30	7.9	70	0.21	1500	Orange	Orange	Red
GNLC3225P-4R7□	4.7	J,K	28	7.9	55	0.30	1300	Yellow	Violet	Red
GNLC3225P-6R8□	6.8	J,K	28	7.9	45	0.37	1100	Blue	Gray	Red
GNLC3225P-8R2□	8.2	J,K	28	7.9	45	0.47	940	Green	Red	Red
GNLC3225P-100 □	10.0	J,K	22	2.5	47	0.50	900	Brown	Black	Orange
GNLC3225P-120 □	12.0	J,K	22	2.5	42	0.68	820	Brown	Red	Orange
GNLC3225P-150 □	15.0	J,K	22	2.5	34	0.72	740	Brown	Green	Orange
GNLC3225P-180 □	18.0	J,K	22	2.5	28	0.95	680	Brown	Gray	Orange
GNLC3225P-220 □	22.0	J,K	22	2.5	25	1.10	640	Red	Red	Orange
GNLC3225P-270 □	27.0	J,K	20	2.5	18	1.25	570	Red	Violet	Orange
GNLC3225P-330 □	33.0	J,K	20	2.5	13	1.37	500	Orange	Orange	Orange

* Tolerance Code : □ J=+/-5%, K=+/-10% (all available)

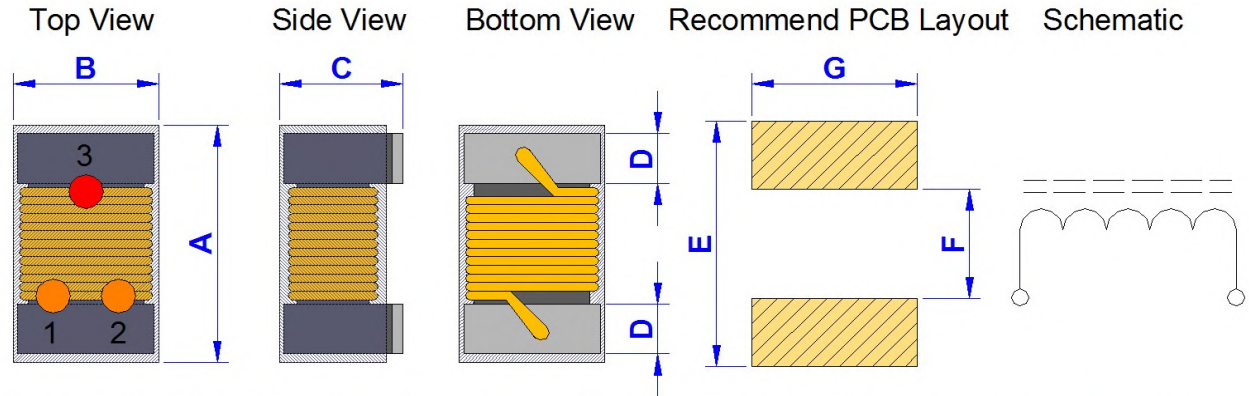
* IDC for Inductance drop 10% from its value without current.

* Irms for a 15deg.C rise above 25deg.C ambient.

Product Series : GNLC	Brand : GOTREND
File Version : GNLC-SERIES-V5R5	Editor : Teddy Sun
Established Date : 2009.05.07	Description : Molding Wound Inductor - IDC Enhanced
Latest Edit Date : 2020.10.30	Product Type : <input checked="" type="checkbox"/> Standard <input type="checkbox"/> Customize

GNLC3225P-SERIES

Dimension [mm] :



Marking : 1. Color point code : 0 1 2 3 4 5 6 7 8 9
 Black Brown Red Orange Yellow Green Blue Violet Gray White

2. Color point inductance conversion method: [(1st. dot x 10) + 2nd. dot] x 10^{3rd. dot} = nH

Size	A	B	C	D	E	F	G
3225	3.6 Max.	2.90 Max.	2.50 Max.	0.50 Ref.	4.40	2.00	2.70

Electrical Characteristics :

Part No.	Inductance (uH)	Tolerance (± %)	Q value (Min.)	Test Freq. (MHz)	S.R.F (MHz) (Min.)	DCR (Ohm) (Max.)	IDC (mA) (Max.)	Color-Dot Marking		
GNLC3225P-390 <input type="checkbox"/>	39.0	J,K	20	2.5	13	1.85	400	Orange	White	Orange
GNLC3225P-470 <input type="checkbox"/>	47.0	J,K	20	2.5	12	1.88	440	Yellow	Violet	Orange
GNLC3225P-560 <input type="checkbox"/>	56.0	J,K	22	2.5	10	2.75	380	Green	Blue	Orange
GNLC3225P-680 <input type="checkbox"/>	68.0	J,K	22	2.5	10	3.00	360	Blue	Gray	Orange
GNLC3225P-820 <input type="checkbox"/>	82.0	J,K	22	2.5	10	4.10	320	Gray	Red	Orange
GNLC3225P-101 <input type="checkbox"/>	100.0	J,K	15	1.0	8	4.68	280	Brown	Black	Yellow
GNLC3225P-121 <input type="checkbox"/>	120.0	J,K	15	1.0	7	5.80	220	Brown	Red	Yellow
GNLC3225P-151 <input type="checkbox"/>	150.0	J,K	13	1.0	7	6.10	220	Brown	Green	Yellow
GNLC3225P-181 <input type="checkbox"/>	180.0	J,K	13	1.0	3	7.10	200	Brown	Gray	Yellow
GNLC3225P-221 <input type="checkbox"/>	220.0	J,K	13	1.0	3	7.65	200	Red	Red	Yellow
GNLC3225P-331 <input type="checkbox"/>	330.0	J,K	13	1.0	3	12.62	160	Orange	Orange	Yellow
GNLC3225P-471 <input type="checkbox"/>	470.0	J,K	13	1.0	3	25.00	120	Yellow	Violet	Yellow
GNLC3225P-561 <input type="checkbox"/>	560.0	J,K	13	1.0	2	27.00	100	Green	Blue	Yellow
GNLC3225P-681 <input type="checkbox"/>	680.0	J,K	13	1.0	2	31.00	100	Blue	Gray	Yellow
GNLC3225P-821 <input type="checkbox"/>	820.0	J,K	10	1.0	2	42.00	50	Gray	Red	Yellow
GNLC3225P-102 <input type="checkbox"/>	1000.0	J,K	10	1.0	2	46.00	50	Brown	Black	Red

* Tolerance Code : J=+/-5%, K=+/-10% (all available)

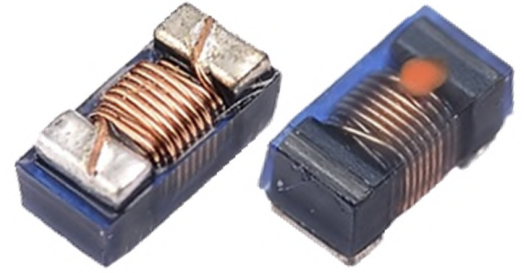
* IDC for Inductance drop 10% from its value without current.

* Irms for a 15deg.C rise above 25deg.C ambient.

Product Series : GNLE	Brand : GOTREND
File Version : GNLE-SERIES-V3R7	Editor : Teddy Sun
Established Date : 2009.07.20	Description : Ferrite Core Wound Inductor - LowProfile & IDC Enhanced
Latest Edit Date : 2020.10.30	Product Type : <input checked="" type="checkbox"/> Standard <input type="checkbox"/> Customize

Features & Application :

- * High-Current : IDC Enhanced Ex.:10uH- IDC=260mA (MAX)
- * Fit for power line & signal line circuit
- * To help you go pass the CE/FCC standard.
- * Mobile Device / Handheld Device / LowProfile Device / Panel



(Picture for reference only)

Part No. Example :

PN	:	GNLE	2012	P	S	-	6R8	J
-----		-----	-----	---	-----		----	----
ID	:	1	2	3	4		5	6
1	:	GOTREND Series : GNLE						
2	:	Size Code: 2012 [L-2.4 x W-1.6 mm]						
3	:	Pb Free Code: Pb free <1000ppm						
4	:	S= Singal / Q = High Q						
5	:	[L] Value : Inductance Ex: R56=0.56uH, 6R8=6.8uH						
6	:	Tolerance: J=5%, K=10%, M=20%						

Basic Information :

Made in	China
Pin Foot	SMD
Shielding	No
J-STD-020	MSL Level 1
RoHS	Compliant
REACH	Compliant
Halogen	Free

Operating & Storage Condition :

- * Operating Temp -40 ~ +125 deg.C (Including self - temperature rise)
- * Storage Temp 1. -10 ~ +45 deg.C , 50 ~ 60% RH (Product with taping)
2. -40 ~ +125 deg.C (On board)
- * Storage Life Time 6 Month (Less than 40 deg.C and 60% RH)

Attention & Caution :

- * Keep out of Splashing water or salt water
- * Avoid Toxic Gas (Hydrogen sulfide, Sulfurous acid, Chlorine, Ammonia)
- Vibrations or shocks which exceed the specified condition
- Dew condense
- Layout near the edge of PCB
- Over flexure after SMT mounting & PCBA



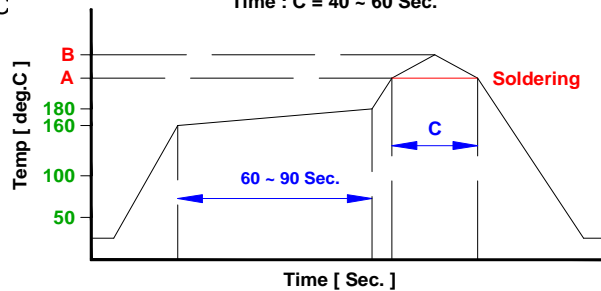
- * Pin foot or SMD pad solderability: Pb free type is best within 6 months after delivery
- * Humidity sensitive , IPC/JEDEC J-STD-020 MSL if over Level 1, recommend bake 30mins@150 degree before PCBA
- * Caution for human life relative applications : PLS contact & consult with GOTREND team in design stage.

Test Condition :

- * Equipment HP4284A , HP42841A - L , Q , DCR , IDC
HP8753D Network analyzer - SRF
- * Standard Atmosphere Conditions:
Ambient Temperature 20 ± 15 deg.C
Humidity RH 65 ± 20%
- * If there may be any doubt on the test result ,
Measurement shall be made within the following limits:
Ambient Temperature 25 ± 5 deg.C
Humidity RH 75 ± 10%

Recommend IR Reflow Curve : GTX-IR-FILE001

Lead Free Solder : A = 217 deg.C , B = 245+/-5 deg.C
Time : C = 40 ~ 60 Sec.

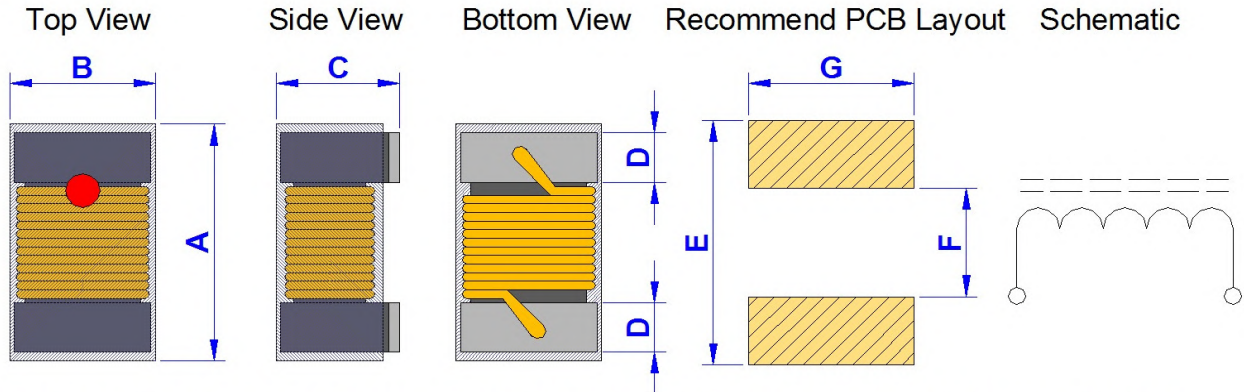


Notice : Iron Soldering , Solder < 30 Watt ,
Direct touch the terminal x 3 Sec. Max. @ 350 deg.C

Product Series : GNLE	Brand : GOTREND
File Version : GNLE-SERIES-V3R7	Editor : Teddy Sun
Established Date : 2009.07.20	Description : Ferrite Core Wound Inductor - LowProfile & IDC Enhanced
Latest Edit Date : 2020.10.30	Product Type : <input checked="" type="checkbox"/> Standard <input type="checkbox"/> Customize

GNLE1610P-SERIES

Dimension [mm] :



Marking : The sense value represented by the color point please see the electrical specification.

Size	A(Max.)	B(Max.)	C(Max.)	D(+/-0.1)	E(Ref.)	F(Ref.)	G(Ref.)
1610	1.80	1.20	1.10	0.33	1.92	0.64	1.02

Electrical Characteristics :

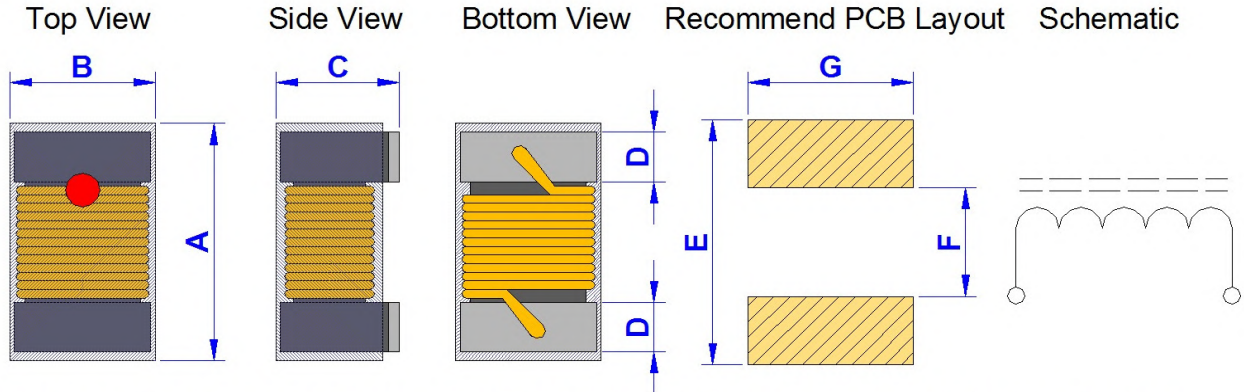
Part No.	L - Value (uH)	Available Tolerance	Q Value (Min.)	Test Freq. (MHz)	S.R.F (MHz) (Min.)	DCR (Ohm) (Max.)	IDC (mA) (Max.)	Color-Dot Marking
GNLE1610P- 47N <input type="checkbox"/>	0.047	J,K	10	7.9	2000.0	0.075	1800	White
GNLE1610P- R10 <input type="checkbox"/>	0.10	J,K	12	7.9	1150.0	0.130	2200	Black
GNLE1610P- R15 <input type="checkbox"/>	0.15	J,K	15	7.9	1050.0	0.150	1800	Brown
GNLE1610P- R22 <input type="checkbox"/>	0.22	J,K	15	7.9	900.0	0.300	1200	Red
GNLE1610P- R27 <input type="checkbox"/>	0.27	J,K	15	7.9	835.0	0.350	1800	Yellow
GNLE1610P- R33 <input type="checkbox"/>	0.33	J,K	15	7.9	725.0	0.460	1000	Orange
GNLE1610P- R39 <input type="checkbox"/>	0.39	J,K	15	7.9	680.0	0.450	1000	Blue
GNLE1610P- R47 <input type="checkbox"/>	0.47	J,K	15	7.9	640.0	0.430	1400	Black
GNLE1610P- R56 <input type="checkbox"/>	0.56	J,K	15	7.9	630.0	0.440	1400	Brown
GNLE1610P- R68 <input type="checkbox"/>	0.68	J,K	15	7.9	510.0	0.520	1340	Red
GNLE1610P- R78 <input type="checkbox"/>	0.78	J,K	15	7.9	465.0	0.630	1300	Orange
GNLE1610P- R82 <input type="checkbox"/>	0.82	J,K	15	7.9	460.0	0.690	1200	Yellow
GNLE1610P- 1R0 <input type="checkbox"/>	1.00	J,K	15	7.9	320.0	0.810	1100	Green
GNLE1610P- 1R2 <input type="checkbox"/>	1.20	J,K	15	7.9	270.0	0.870	1000	Blue
GNLE1610P- 1R5 <input type="checkbox"/>	1.50	J,K	15	7.9	230.0	0.960	920	Violet
GNLE1610P- 1R8 <input type="checkbox"/>	1.80	J,K	15	7.9	210.0	1.100	900	Gray
GNLE1610P- 2R2 <input type="checkbox"/>	2.20	J,K	15	7.9	115.0	1.200	740	White
GNLE1610P- 3R3 <input type="checkbox"/>	3.30	J,K	15	7.9	84.0	1.500	680	Brown
GNLE1610P- 3R9 <input type="checkbox"/>	3.90	J,K	15	7.9	75.0	1.500	600	Red
GNLE1610P- 4R7 <input type="checkbox"/>	4.70	J,K	15	7.9	67.0	2.100	580	Orange
GNLE1610P- 5R6 <input type="checkbox"/>	5.60	J,K	15	7.9	55.0	2.370	540	Yellow
GNLE1610P- 6R8 <input type="checkbox"/>	6.80	J,K	15	7.9	48.0	3.100	500	Green
GNLE1610P- 8R2 <input type="checkbox"/>	8.20	J,K	15	7.9	38.0	3.500	440	Violet
GNLE1610P- 100 <input type="checkbox"/>	10.00	J,K	12	2.5	32.0	4.460	400	Gray
GNLE1610P- 220 <input type="checkbox"/>	22.00	K,M	10	1.30	20.0	6.500	140	
GNLE1610P- 270 <input type="checkbox"/>	27.00	K,M	10	1.30	15.0	7.400	130	
GNLE1610P- 330 <input type="checkbox"/>	33.00	K,M	10	1.30	15.0	8.40	120	

* Tolerance Code : J=+/-5%, K=+/-10%, M=+/-20% (all available) * IDC for a 40deg.C rise above 25deg.C ambient.

Product Series : GNLE	Brand : GOTREND
File Version : GNLE-SERIES-V3R7	Editor : Teddy Sun
Established Date : 2009.07.20	Description : Ferrite Core Wound Inductor - LowProfile & IDC Enhanced
Latest Edit Date : 2020.10.30	Product Type : <input checked="" type="checkbox"/> Standard <input type="checkbox"/> Customize

GNLE2012P-SERIES

Dimension [mm] :



Marking : The sense value represented by the color point please see the electrical specification.

Size	A(Max.)	B(Max.)	C(Max.)	D(+/-0.1)	E(Ref.)	F(Ref.)	G(Ref.)
2012	2.40	1.60	1.25	0.45	2.80	1.00	1.78

Electrical Characteristics :

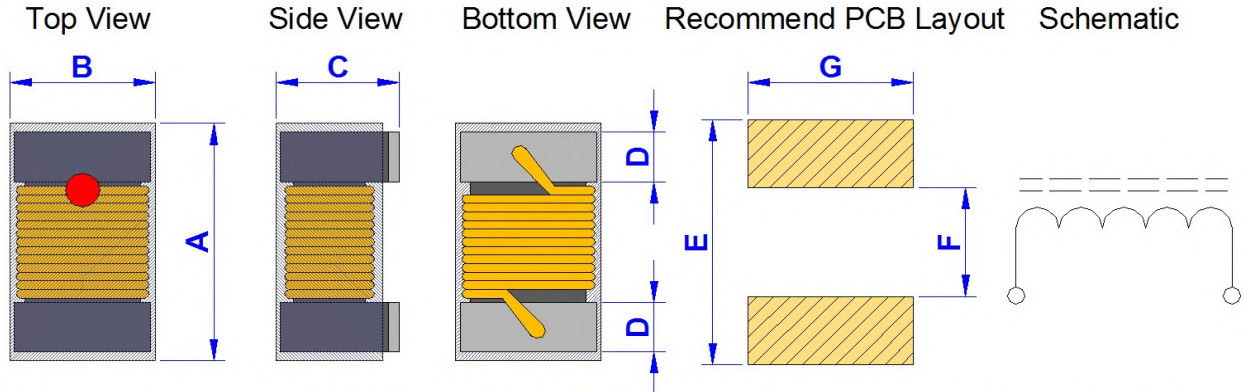
Part NO.	L - Value (uH)	Available Tolerance	Q Value (Min.)	Test Freq. (MHz)	S.R.F (MHz) (Min.)	DCR (Ohm) (Max.)	IDC (mA) (Max.)	Color-Dot Marking
GNLE2012P- R47 <input type="checkbox"/>	0.47	K,M	10	7.96	720.0	0.20	750	Yellow
GNLE2012P- R56 <input type="checkbox"/>	0.56	K,M	10	7.96	665.0	0.21	730	White
GNLE2012P- R68 <input type="checkbox"/>	0.68	K,M	10	7.96	565.0	0.28	670	Green
GNLE2012P- R82 <input type="checkbox"/>	0.82	K,M	10	7.96	545.0	0.31	650	Gray
GNLE2012P- 1R0 <input type="checkbox"/>	1.00	K,M	10	7.96	525.0	0.34	615	Black
GNLE2012P- 1R2 <input type="checkbox"/>	1.20	K,M	10	7.96	473.0	0.39	550	Blue
GNLE2012P- 1R5 <input type="checkbox"/>	1.50	K,M	10	7.96	300.0	0.45	520	Brown
GNLE2012P- 1R8 <input type="checkbox"/>	1.80	K,M	10	7.96	230.0	0.48	500	Brown
GNLE2012P- 2R2 <input type="checkbox"/>	2.20	K,M	10	7.96	215.0	0.67	420	Red
GNLE2012P- 2R7 <input type="checkbox"/>	2.70	K,M	10	7.96	185.0	0.74	410	Violet
GNLE2012P- 3R3 <input type="checkbox"/>	3.30	K,M	10	7.96	95.0	0.81	385	Orange
GNLE2012P- 3R9 <input type="checkbox"/>	3.90	K,M	10	7.96	57.0	0.88	372	Gray
GNLE2012P- 4R7 <input type="checkbox"/>	4.70	K,M	10	7.96	51.0	0.99	345	Yellow
GNLE2012P- 5R6 <input type="checkbox"/>	5.60	K,M	10	7.96	44.0	1.06	335	White
GNLE2012P- 6R8 <input type="checkbox"/>	6.80	K,M	10	7.96	39.0	1.21	315	Green
GNLE2012P- 8R2 <input type="checkbox"/>	8.20	K,M	10	7.96	33.0	1.33	295	Black
GNLE2012P- 100 <input type="checkbox"/>	10.00	K,M	10	2.52	30.0	1.79	260	Blue
GNLE2012P- 120 <input type="checkbox"/>	12.00	K,M	10	2.52	27.0	1.98	250	Brown
GNLE2012P- 150 <input type="checkbox"/>	15.00	K,M	10	2.52	22.0	2.68	215	Violet
GNLE2012P- 180 <input type="checkbox"/>	18.00	K,M	10	2.52	20.0	3.12	195	Red
GNLE2012P- 220 <input type="checkbox"/>	22.00	K,M	10	2.52	18.0	3.48	180	Gray
GNLE2012P- 270 <input type="checkbox"/>	27.00	K,M	10	2.52	16.0	3.84	170	
GNLE2012P- 330 <input type="checkbox"/>	33.00	K,M	10	2.52	15.0	4.34	145	White
GNLE2012P- 470 <input type="checkbox"/>	47.00	K,M	10	2.52	11.0	5.14	105	Black
GNLE2012P- 101 <input type="checkbox"/>	100.00	K,M	10	1	6.0	16.80	80	Brown

* Tolerance Code : K=+/-10%, M=+/-20% (all available) * IDC for a 40deg.C rise above 25deg.C ambient.

Product Series : GNLE	Brand : GOTREND
File Version : GNLE-SERIES-V3R7	Editor : Teddy Sun
Established Date : 2009.07.20	Description : Ferrite Core Wound Inductor - LowProfile & IDC Enhanced
Latest Edit Date : 2020.10.30	Product Type : <input checked="" type="checkbox"/> Standard <input type="checkbox"/> Customize

GNLE2012PS-SERIES

Dimension [mm] :



Marking : The sense value represented by the color point please see the electrical specification.

Size	A(Max.)	B(Max.)	C(Max.)	D(+/-0.1)	E(Ref.)	F(Ref.)	G(Ref.)
2012	2.40	1.60	1.25	0.45	2.80	1.00	1.78

Electrical Characteristics :

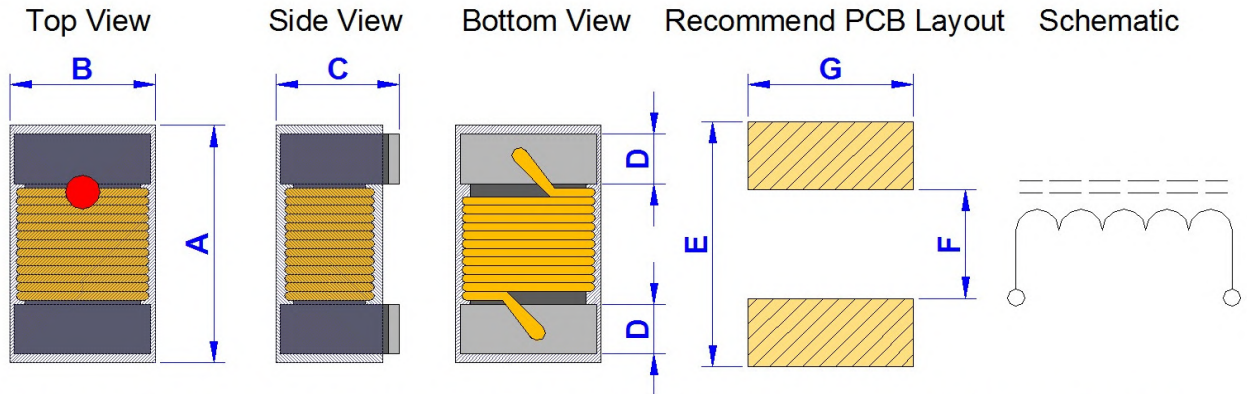
Part NO.	L - Value (uH)	Available Tolerance	Q Value (Min.)	Test Freq. (MHz)	S.R.F (MHz) (Min.)	DCR (Ohm) (Max.)	IDC (mA) (Max.)	Color-Dot Marking
GNLE2012PS-R12 <input type="checkbox"/>	0.12	J,K	25	25	1000.0	0.18	1500	Violet
GNLE2012PS-R15 <input type="checkbox"/>	0.15	J,K	25	25	1000.0	0.18	1400	Gray
GNLE2012PS-R18 <input type="checkbox"/>	0.18	J,K	30	25	1000.0	0.20	1400	Black
GNLE2012PS-R22 <input type="checkbox"/>	0.22	J,K	30	25	830.0	0.25	1350	Brown
GNLE2012PS-R27 <input type="checkbox"/>	0.27	J,K	30	25	800.0	0.38	1300	Red
GNLE2012PS-R33 <input type="checkbox"/>	0.33	J,K	30	25	750.0	0.35	1200	Orange
GNLE2012PS-R39 <input type="checkbox"/>	0.39	J,K	30	25	700.0	0.35	1160	Yellow
GNLE2012PS-R47 <input type="checkbox"/>	0.47	J,K	30	25	690.0	0.40	1100	Green
GNLE2012PS-R56 <input type="checkbox"/>	0.56	J,K	30	25	640.0	0.40	1040	Blue
GNLE2012PS-R62 <input type="checkbox"/>	0.62	J,K	30	25	640.0	0.45	980	Brown
GNLE2012PS-R68 <input type="checkbox"/>	0.68	J,K	30	25	510.0	0.50	900	Violet
GNLE2012PS-R82 <input type="checkbox"/>	0.82	J,K	30	25	500.0	0.50	900	Gray
GNLE2012PS-R91 <input type="checkbox"/>	0.91	J,K	30	25	500.0	0.55	900	Yellow
GNLE2012PS-1R0 <input type="checkbox"/>	1.00	J,K	20	7.9	470.0	0.60	840	White
GNLE2012PS-1R2 <input type="checkbox"/>	1.20	J,K	20	7.9	400.0	0.75	800	Black
GNLE2012PS-1R5 <input type="checkbox"/>	1.50	J,K	25	7.9	400.0	1.00	720	Brown
GNLE2012PS-1R8 <input type="checkbox"/>	1.80	J,K	25	7.9	230.0	1.00	660	Red
GNLE2012PS-2R2 <input type="checkbox"/>	2.20	J,K	25	7.9	200.0	1.05	600	Orange
GNLE2012PS-2R7 <input type="checkbox"/>	2.70	J,K	25	7.9	130.0	1.18	500	Yellow
GNLE2012PS-3R3 <input type="checkbox"/>	3.30	J,K	25	7.9	160.0	1.26	480	Green
GNLE2012PS-3R9 <input type="checkbox"/>	3.90	J,K	25	7.9	130.0	1.75	440	Blue
GNLE2012PS-4R7 <input type="checkbox"/>	4.70	J,K	25	7.9	120.0	1.87	390	Violet
GNLE2012PS-5R6 <input type="checkbox"/>	5.60	J,K	25	7.9	90.0	2.00	340	Gray
GNLE2012PS-6R8 <input type="checkbox"/>	6.80	J,K	25	7.9	55.0	2.15	300	White
GNLE2012PS-8R2 <input type="checkbox"/>	8.20	J,K	25	7.9	40.0	2.37	280	Black
GNLE2012PS-100 <input type="checkbox"/>	10.00	J,K	16	2.5	40.0	2.55	260	Brown

* Tolerance Code : J=+/-5%, K=+/-10% (all available) * IDC for a 40deg.C rise above 25deg.C ambient.

Product Series : GNLE	Brand : GOTREND
File Version : GNLE-SERIES-V3R7	Editor : Teddy Sun
Established Date : 2009.07.20	Description : Ferrite Core Wound Inductor - LowProfile & IDC Enhanced
Latest Edit Date : 2020.10.30	Product Type : <input checked="" type="checkbox"/> Standard <input type="checkbox"/> Customize

GNLE2012PS-SERIES

Dimension [mm] :



Marking : The sense value represented by the color point please see the electrical specification.

Size	A(Max.)	B(Max.)	C(Max.)	D(+/-0.1)	E(Ref.)	F(Ref.)	G(Ref.)
2012	2.40	1.60	1.25	0.45	2.80	1.00	1.78

Electrical Characteristics :

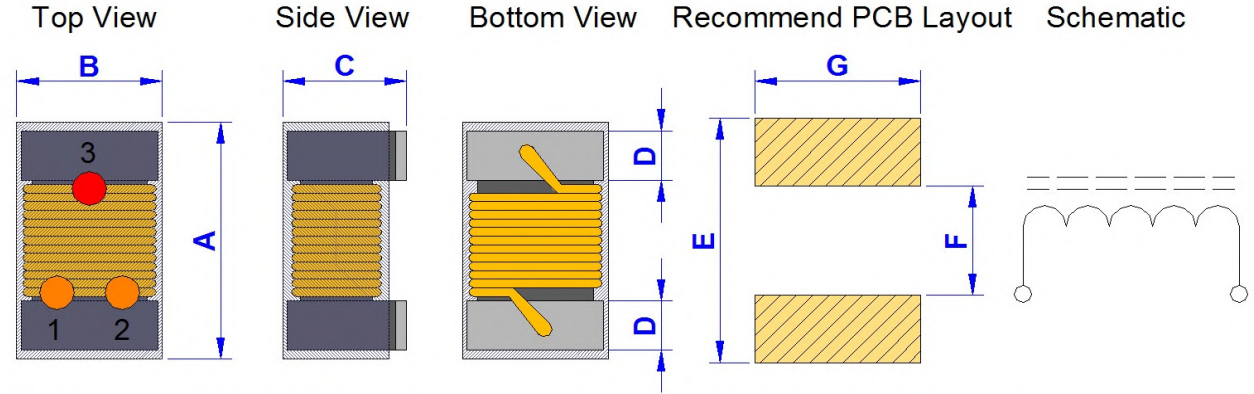
Part NO.	L - Value (uH)	Available Tolerance	Q Value (Min.)	Test Freq. (MHz)	S.R.F (MHz) (Min.)	DCR (Ohm) (Max.)	IDC (mA) (Max.)	Color-Dot Marking
GNLE2012PS-120 <input type="checkbox"/>	12.00	J,K	16	2.5	37.0	2.80	220	Red
GNLE2012PS-150 <input type="checkbox"/>	15.00	J,K	16	2.5	30.0	3.80	200	Orange
GNLE2012PS-180 <input type="checkbox"/>	18.00	J,K	16	2.5	23.0	4.48	180	Yellow
GNLE2012PS-220 <input type="checkbox"/>	22.00	J,K	16	2.5	20.0	6.30	160	Green
GNLE2012PS-270 <input type="checkbox"/>	27.00	J,K	16	2.5	19.0	6.85	140	Blue
GNLE2012PS-330 <input type="checkbox"/>	33.00	J,K	16	2.5	18.0	7.60	120	Violet

* Tolerance Code : J=+/-5%, K=+/-10% (all available) * IDC for a 40deg.C rise above 25deg.C ambient.

Product Series : GNLE	Brand : GOTREND
File Version : GNLE-SERIES-V3R7	Editor : Teddy Sun
Established Date : 2009.07.20	Description : Ferrite Core Wound Inductor - LowProfile & IDC Enhanced
Latest Edit Date : 2020.10.30	Product Type : <input checked="" type="checkbox"/> Standard <input type="checkbox"/> Customize

GNLE2520P-SERIES

Dimension [mm] :



Marking : 1. Color point code : 0 1 2 3 4 5 6 7 8 9
 Black Brown Red Orange Yellow Green Blue Violet Gray White

2. Color point inductance conversion method: [(1st. dot x 10) + 2nd. dot] x 10^{3rd. dot} = nH

Size	A(Max.)	B(Max.)	C(Max.)	D(+/-0.1)	E(Ref.)	F(Ref.)	G(Ref.)
2520	2.90	2.50	2.10	0.55	3.30	1.30	2.54

Electrical Characteristics :

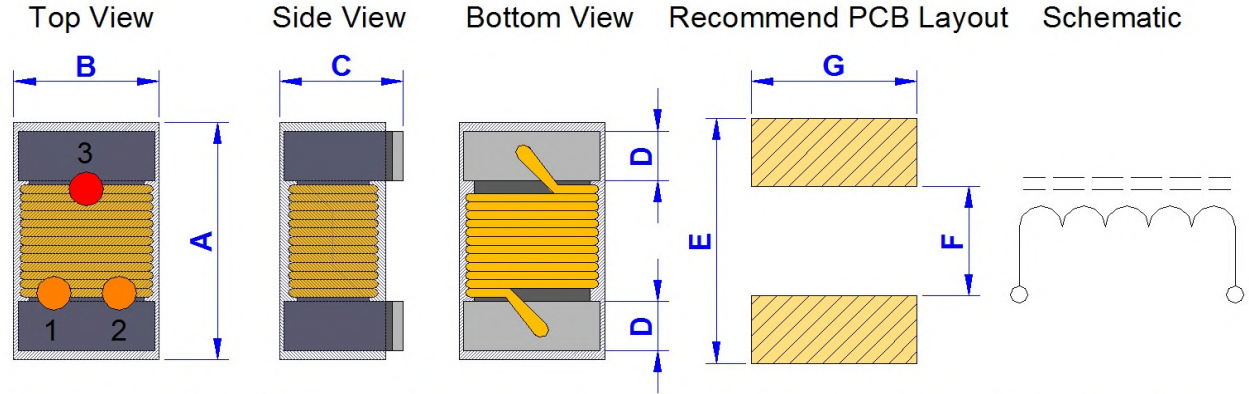
Part NO.	L - Value (uH)	Available Tolerance	Q value (Min.)	Test Freq. (MHz)	S.R.F (MHz) (Min.)	DCR (Ohm) (Max.)	IDC (mA) (Max.)	Color-Dot Marking		
GNLE2520P-1R0 <input type="checkbox"/>	1.0	K,M	12	7.96	345	0.13	1000	Brown	Black	Red
GNLE2520P-1R5 <input type="checkbox"/>	1.5	K,M	12	7.96	100	0.17	850	Brown	Green	Red
GNLE2520P-2R2 <input type="checkbox"/>	2.2	K,M	12	7.96	78	0.21	775	Red	Red	Red
GNLE2520P-3R3 <input type="checkbox"/>	3.3	K,M	12	7.96	48	0.26	715	Orange	Orange	Red
GNLE2520P-4R7 <input type="checkbox"/>	4.7	K,M	12	7.96	46	0.52	505	Yellow	Violet	Red
GNLE2520P-6R8 <input type="checkbox"/>	6.8	K,M	12	7.96	33	0.72	432	Blue	Gray	Red
GNLE2520P-100 <input type="checkbox"/>	10.0	K,M	12	2.52	28	0.86	392	Brown	Black	Orange
GNLE2520P-150 <input type="checkbox"/>	15.0	K,M	12	2.52	21	1.09	342	Brown	Green	Orange
GNLE2520P-220 <input type="checkbox"/>	22.0	K,M	12	2.52	18	1.96	260	Red	Red	Orange
GNLE2520P-330 <input type="checkbox"/>	33.0	K,M	12	2.52	15	2.47	236	Orange	Orange	Orange

* Tolerance Code : K=+/-10%, M=+/-20% (all available) * IDC for a 40deg.C rise above 25deg.C ambient.

Product Series : GNLE	Brand : GOTREND
File Version : GNLE-SERIES-V3R7	Editor : Teddy Sun
Established Date : 2009.07.20	Description : Ferrite Core Wound Inductor - LowProfile & IDC Enhanced
Latest Edit Date : 2020.10.30	Product Type : <input checked="" type="checkbox"/> Standard <input type="checkbox"/> Customize

GNLE2520PS-SERIES

Dimension [mm] :



Marking : 1. Color point code : 0 1 2 3 4 5 6 7 8 9
 Black Brown Red Orange Yellow Green Blue Violet Gray White

2. Color point inductance conversion method: [(1st. dot x 10) + 2nd. dot] x 10^{3rd. dot} = nH

Size	A(Max.)	B(Max.)	C(Max.)	D(+/-0.1)	E(Ref.)	F(Ref.)	G(Ref.)
2520	2.90	2.50	2.10	0.55	3.30	1.30	2.54

Electrical Characteristics :

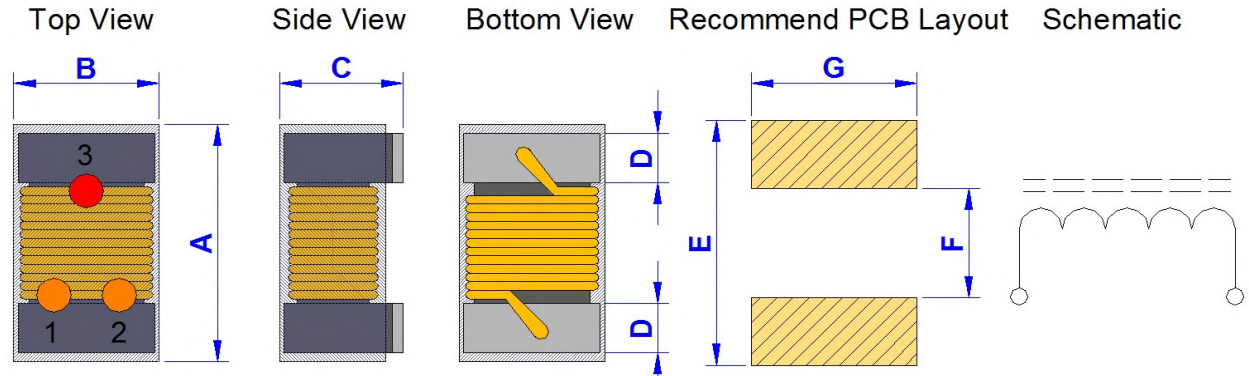
Part NO.	L / Freq (uH)/(MHz)	Available Tolerance	Q value (Min.)	Q Test Freq. (MHz)	S.R.F (MHz) (Min.)	DCR (Ohm) (Max.)	IDC (mA) (Max.)	Color-Dot Marking		
								1	2	3
GNLE2520PS-R18 <input type="checkbox"/>	0.18/25	J,K	30	25.0	930	0.30	960	Brown	Black	Brown
GNLE2520PS-R20 <input type="checkbox"/>	0.20/25	J,K	30	25.0	735	0.30	960	Red	Black	Brown
GNLE2520PS-R22 <input type="checkbox"/>	0.22/25	J,K	30	25.0	930	0.40	920	Red	Red	Brown
GNLE2520PS-R39 <input type="checkbox"/>	0.39/25	J,K	30	25.0	480	0.45	920	Orange	White	Brown
GNLE2520PS-R56 <input type="checkbox"/>	0.56/25	J,K	30	25.0	460	0.55	900	Green	Blue	Brown
GNLE2520PS-R62 <input type="checkbox"/>	0.62/25	J,K	30	25.0	460	0.55	900	Blue	Red	Brown
GNLE2520PS-R68 <input type="checkbox"/>	0.68/25	J,K	30	25.0	420	0.55	880	Blue	Gray	Brown
GNLE2520PS-R75 <input type="checkbox"/>	0.75/25	J,K	30	25.0	420	0.65	880	Violet	Green	Brown
GNLE2520PS-R82 <input type="checkbox"/>	0.82/25	J,K	30	25.0	380	0.65	840	Gray	Red	Brown
GNLE2520PS-R91 <input type="checkbox"/>	0.91/25	J,K	30	25.0	400	0.65	840	White	Brown	Brown
GNLE2520PS-1R0 <input type="checkbox"/>	1.0/7.9	J,K	25	7.9	300	0.60	800	Brown	Black	Red
GNLE2520PS-1R2 <input type="checkbox"/>	1.2/7.9	J,K	25	7.9	280	0.74	800	Brown	Red	Red
GNLE2520PS-1R5 <input type="checkbox"/>	1.5/7.9	J,K	25	7.9	245	0.85	780	Brown	Green	Red
GNLE2520PS-1R8 <input type="checkbox"/>	1.8/7.9	J,K	25	7.9	240	0.92	780	Brown	Gray	Red
GNLE2520PS-2R2 <input type="checkbox"/>	2.2/7.9	J,K	25	7.9	205	1.10	760	Red	Red	Red
GNLE2520PS-2R7 <input type="checkbox"/>	2.7/7.9	J,K	25	7.9	187	1.22	760	Red	Violet	Red
GNLE2520PS-3R3 <input type="checkbox"/>	3.3/7.9	J,K	25	7.9	165	1.37	740	Orange	Orange	Red
GNLE2520PS-3R9 <input type="checkbox"/>	3.9/7.9	J,K	25	7.9	144	1.66	700	Orange	White	Red
GNLE2520PS-4R7 <input type="checkbox"/>	4.7/7.9	J,K	25	7.9	110	1.68	660	Yellow	Violet	Red
GNLE2520PS-5R6 <input type="checkbox"/>	5.6/7.9	J,K	25	7.9	88	1.75	640	Green	Blue	Red
GNLE2520PS-6R8 <input type="checkbox"/>	6.8/7.9	J,K	25	7.9	70	1.85	640	Blue	Gray	Red
GNLE2520PS-8R2 <input type="checkbox"/>	8.2/7.9	J,K	25	7.9	57	2.00	600	Gray	Red	Red
GNLE2520PS-100 <input type="checkbox"/>	10.0/2.5	J,K	15	2.5	55	2.32	600	Brown	Black	Orange
GNLE2520PS-120 <input type="checkbox"/>	12.0/2.5	J,K	15	2.5	52	2.99	560	Brown	Red	Orange

* Tolerance Code : J=+/-5%, K=+/-10% (all available) * IDC for a 40deg.C rise above 25deg.C ambient.

Product Series : GNLE	Brand : GOTREND
File Version : GNLE-SERIES-V3R7	Editor : Teddy Sun
Established Date : 2009.07.20	Description : Ferrite Core Wound Inductor - LowProfile & IDC Enhanced
Latest Edit Date : 2020.10.30	Product Type : <input checked="" type="checkbox"/> Standard <input type="checkbox"/> Customize

GNLE2520PS-SERIES

Dimension [mm] :



Marking : 1. Color point code : 0 1 2 3 4 5 6 7 8 9
 Black Brown Red Orange Yellow Green Blue Violet Gray White

2. Color point inductance conversion method: [(1st. dot x 10) + 2nd. dot] x 10^{3rd. dot} = nH

Size	A(Max.)	B(Max.)	C(Max.)	D(+/-0.1)	E(Ref.)	F(Ref.)	G(Ref.)
2520	2.90	2.50	2.10	0.55	3.30	1.30	2.54

Electrical Characteristics :

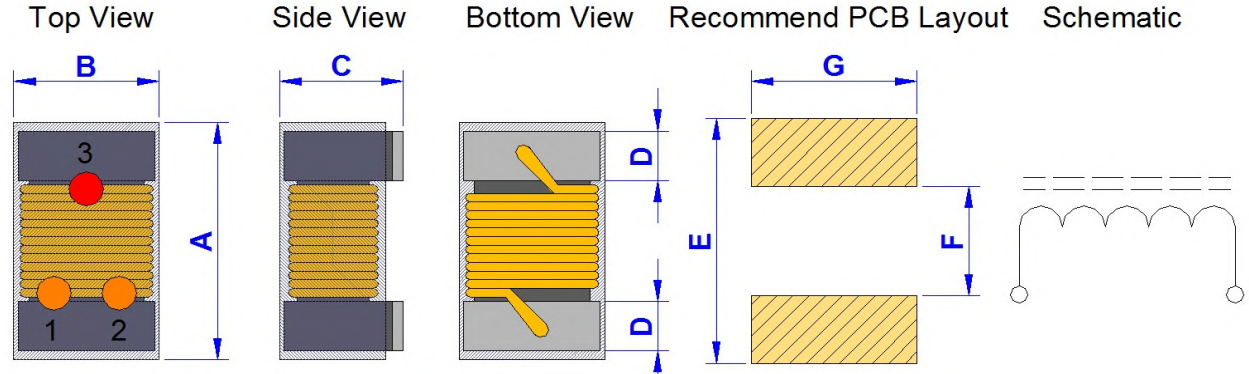
Part NO.	L / Freq (uH)/(MHz)	Available Tolerance	Q value (Min.)	Q Test Freq. (MHz)	S.R.F (MHz) (Min.)	DCR (Ohm) (Max.)	IDC (mA) (Max.)	Color-Dot Marking		
GNLE2520PS-150 <input type="checkbox"/>	15.0/2.5	J,K	15	2.5	49	3.42	480	Brown	Green	Orange
GNLE2520PS-180 <input type="checkbox"/>	18.0/2.5	J,K	15	2.5	48	4.65	420	Brown	Gray	Orange
GNLE2520PS-220 <input type="checkbox"/>	22.0/2.5	J,K	15	2.5	25	5.12	420	Red	Red	Orange
GNLE2520PS-270 <input type="checkbox"/>	27.0/2.5	J,K	15	2.5	23	5.76	420	Red	Violet	Orange
GNLE2520PS-330 <input type="checkbox"/>	33.0/2.5	J,K	15	2.5	17	6.44	400	Orange	Orange	Orange
GNLE2520PS-390 <input type="checkbox"/>	39.0/2.5	J,K	15	2.5	15	6.85	380	Orange	White	Orange
GNLE2520PS-470 <input type="checkbox"/>	47.0/2.5	J,K	14	2.5	13	9.94	340	Yellow	Violet	Orange
GNLE2520PS-560 <input type="checkbox"/>	56.0/2.5	J,K	14	2.5	10	10.70	280	Green	Blue	Orange
GNLE2520PS-680 <input type="checkbox"/>	68.0/2.5	J,K	14	2.5	8	12.80	260	Blue	Gray	Orange
GNLE2520PS-820 <input type="checkbox"/>	82.0/2.5	J,K	14	2.5	8	18.30	240	Gray	Red	Orange
GNLE2520PS-101 <input type="checkbox"/>	100.0/1.0	J,K	8	1.0	7	19.60	200	Brown	Black	Yellow

* Tolerance Code : J=+/-5%, K=+/-10%(all available) * IDC for a 40deg.C rise above 25deg.C ambient.

Product Series : GNLE	Brand : GOTREND
File Version : GNLE-SERIES-V3R7	Editor : Teddy Sun
Established Date : 2009.07.20	Description : Ferrite Core Wound Inductor - LowProfile & IDC Enhanced
Latest Edit Date : 2020.10.30	Product Type : <input checked="" type="checkbox"/> Standard <input type="checkbox"/> Customize

GNLE3225P-SERIES

Dimension [mm] :



Marking : 1. Color point code : 0 1 2 3 4 5 6 7 8 9
 Black Brown Red Orange Yellow Green Blue Violet Gray White

2. Color point inductance conversion method: [(1st. dot x 10) + 2nd. dot] x 10^{3rd. dot} = nH

Size	A(Max.)	B(Max.)	C(Max.)	D(+/-0.1)	E(Ref.)	F(Ref.)	G(Ref.)
3225	3.60	2.90	2.60	0.60	4.00	2.00	2.80

Electrical Characteristics :

Part NO.	L - Value (uH)	Available Tolerance	Q value (Min.)	Test Freq. (MHz)	S.R.F (MHz) (Min.)	DCR (Ohm) (± 30%)	IDC (mA) (Max.)	Color-Dot Marking		
GNLE3225P-1R0 <input type="checkbox"/>	1.00	K,M	10	7.960	290.0	0.06	1200	Brown	Black	Red
GNLE3225P-1R5 <input type="checkbox"/>	1.50	K,M	10	7.960	260.0	0.10	1000	Brown	Green	Red
GNLE3225P-2R2 <input type="checkbox"/>	2.20	K,M	10	7.960	190.0	0.13	880	Red	Red	Red
GNLE3225P-3R3 <input type="checkbox"/>	3.30	K,M	10	7.960	64.0	0.17	775	Orange	Orange	Red
GNLE3225P-4R7 <input type="checkbox"/>	4.70	K,M	10	7.960	54.0	0.20	710	Yellow	Violet	Red
GNLE3225P-6R8 <input type="checkbox"/>	6.80	K,M	10	7.960	34.0	0.23	660	Blue	Gray	Red
GNLE3225P-100 <input type="checkbox"/>	10.00	K,M	10	2.520	25.0	0.30	570	Brown	Black	Orange
GNLE3225P-150 <input type="checkbox"/>	15.00	K,M	10	2.520	17.0	0.51	440	Brown	Green	Orange
GNLE3225P-220 <input type="checkbox"/>	22.00	K,M	10	2.520	16.0	0.63	400	Red	Red	Orange
GNLE3225P-330 <input type="checkbox"/>	33.00	K,M	10	2.520	12.0	1.15	285	Orange	Orange	Orange
GNLE3225P-470 <input type="checkbox"/>	47.00	K,M	10	2.520	10.0	1.46	260	Yellow	Violet	Orange
GNLE3225P-680 <input type="checkbox"/>	68.00	K,M	10	2.520	9.0	1.76	235	Blue	Gray	Orange
GNLE3225P-101 <input type="checkbox"/>	100.00	K,M	10	1.000	7.0	2.68	190	Brown	Black	Yellow
GNLE3225P-151 <input type="checkbox"/>	150.00	K,M	10	1.000	5.0	5.04	140	Brown	Green	Yellow
GNLE3225P-221 <input type="checkbox"/>	220.00	K,M	10	1.000	4.0	6.33	115	Red	Red	Yellow
GNLE3225P-331 <input type="checkbox"/>	330.00	K,M	10	1.000	2.8	10.50	98	Orange	Orange	Yellow
GNLE3225P-471 <input type="checkbox"/>	470.00	K,M	10	1.000	2.6	13.90	86	Yellow	Violet	Yellow
GNLE3225P-681 <input type="checkbox"/>	680.00	K,M	10	1.000	2.3	16.94	76	Blue	Gray	Yellow

* Tolerance Code : K=+/-10%, M=+/-20% (all available) * IDC for a 40deg.C rise above 25deg.C ambient.

Product Series : GTH	Brand : GOTREND
File Version : GTH-SERIES-V5R6	Editor : Teddy Sun
Established Date : 2009.07.30	Description : High Frequency Wound Inductor
Latest Edit Date : 2020.11.06	Product Type : <input checked="" type="checkbox"/> Standard <input type="checkbox"/> Customize

Features & Application :

- * Ceramic construction for high Q ,high frequency characteristic
- * Fit for power line & signal line circuit
- * To help you go pass the CE/FCC standard.
- * Mobiel Device / Handheld Device / LowProfile Device / Panel



(Picture for reference only)

Part No. Example :

PN	:	GTH	2520	P	<input type="checkbox"/>	-	6R8	<input type="checkbox"/>
-----		-----	-----	---	-----		----	----
ID	:	1	2	3	4		5	6
1	:	GOTREND Series : GTH						
2	:	Dimension Code : 2520 [2.5 x 2.0 mm]						
3	:	P = Pb < 1000 ppm						
4	:	[C][D][E][S] Color Dot Marking , [A] 1005 Size High Current Type						
5	:	[L] Value : Inductance 6R8 = 6.8uH						
6	:	Tolerance : G = 2% , J = 5% , K = 10%						

Basic Information :

Made in	China
Pin Foot	SMD
Shielding	No
J-STD-020	MSL Level 1
RoHS	Compliant
REACH	Compliant
Halogen	Free

Operating & Storage Condition :

- * Operating Temp -40 ~ +125 deg.C (Including self - temperature rise)
- * Storage Temp 1. -10 ~ +45 deg.C , 50 ~ 60% RH (Product with taping)
2. -40 ~ +125 deg.C (On board)
- * Storage Life Time 6 Month (Less than 40 deg.C and 60% RH)

Attention & Caution :

- * Keep out of Splashing water or salt water
- * Avoid Toxic Gas (Hydrogen sulfide, Sulfurous acid, Chlorine, Ammonia)
- * Avoid Vibrations or shocks which exceed the specified condition
- * Avoid Dew condense
- * Avoid Layout near the edge of PCB
- * Avoid Over flexure after SMT mounting & PCBA
- * Pin foot or SMD pad solderability: Pb free type is best within 6 months after delivery
- * Humidity sensitive , IPC/JEDEC J-STD-020 MSL if over Level 1, recommend bake 30mins@150 degree before PCBA
- * Caution for human life relative applications : PLS contact & consult with GOTREND team in design stage.

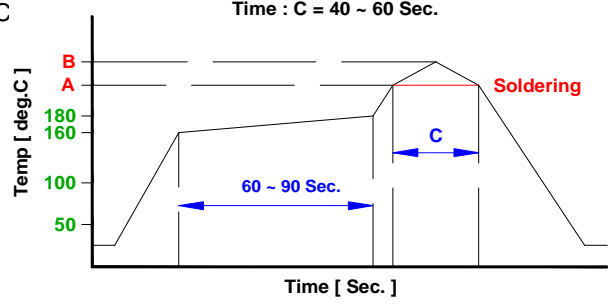


Test Condition :

- * Equipment HP4284A , HP42841A - L , Q , DCR , IDC
HP8753D Network analyzer - SRF
- * Standard Atmosphere Conditions:
Ambient Temperature 20 ± 15 deg.C
Humidity RH 65 ± 20%
- * If there may be any doubt on the test result ,
Measurement shall be made within the following limits:
Ambient Temperature 25 ± 5 deg.C
Humidity RH 75 ± 10%

Recommend IR Reflow Curve : GTX-IR-FILE001

Lead Free Solder : A = 217 deg.C , B = 245+/-5 deg.C
Time : C = 40 ~ 60 Sec.

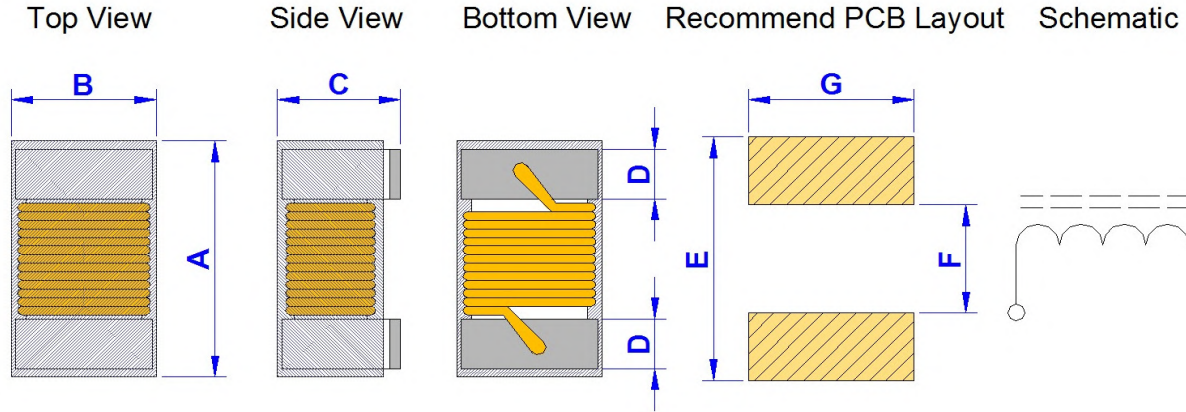


**Notice : Iron Soldering , Solder < 30 Watt ,
Direct touch the terminal x 3 Sec. Max. @ 350 deg.C**

Product Series : GTH	Brand : GOTREND
File Version : GTH-SERIES-V5R6	Editor : Teddy Sun
Established Date : 2009.07.30	Description : High Frequency Wound Inductor
Latest Edit Date : 2020.11.06	Product Type : <input checked="" type="checkbox"/> Standard <input type="checkbox"/> Customize

GTH1005PA-SERIES

Dimension [mm] :



Size	A [Max.]	B [Max.]	C [Max.]	D [Ref.]	E [Ref.]	F [Ref.]	G [Ref.]
1005P [0402]	1.27	0.76	0.61	0.23	1.46	0.46	0.66

Electrical Characteristics :

Part No.	Inductance (nH)	L-Test Freq. (MHz)	S.R.F (MHz) (Min.)	DCR (Ohm) (Max.)	IDC (mA) (Max.)
GTH1005PA-20N□	20.0	7.9	2600	0.050	1600
GTH1005PA-22N□	22.0	7.9	2500	0.065	1300
GTH1005PA-33N□	33.0	7.9	2300	0.060	1400
GTH1005PA-36N□	36.0	7.9	2300	0.075	1300
GTH1005PA-39N□	39.0	7.9	2200	0.115	830
GTH1005PA-51N□	51.0	7.9	1930	0.070	1100
GTH1005PA-56N□	56.0	7.9	1900	0.095	1000
GTH1005PA-72N□	72.0	7.9	1650	0.100	1000
GTH1005PA-78N□	78.0	7.9	1600	0.130	970
GTH1005PA-R10□	100.0	7.9	1400	0.160	900
GTH1005PA-R14□	140.0	7.9	1220	0.260	630
GTH1005PA-R18□	180.0	7.9	1150	0.280	560
GTH1005PA-R20□	200.0	7.9	1000	0.440	400
GTH1005PA-R22□	220.0	7.9	1150	0.530	380
GTH1005PA-R25□	250.0	7.9	900	0.360	520
GTH1005PA-R27□	270.0	7.9	860	0.550	360
GTH1005PA-R30□	300.0	7.9	840	0.410	420
GTH1005PA-R33□	330.0	7.9	820	0.560	350
GTH1005PA-R36□	360.0	7.9	810	0.575	360
GTH1005PA-R39□	390.0	7.9	760	0.750	300
GTH1005PA-R42□	420.0	7.9	700	0.700	340
GTH1005PA-R47□	470.0	7.9	650	0.730	310
GTH1005PA-R56□	560.0	7.9	600	0.920	200

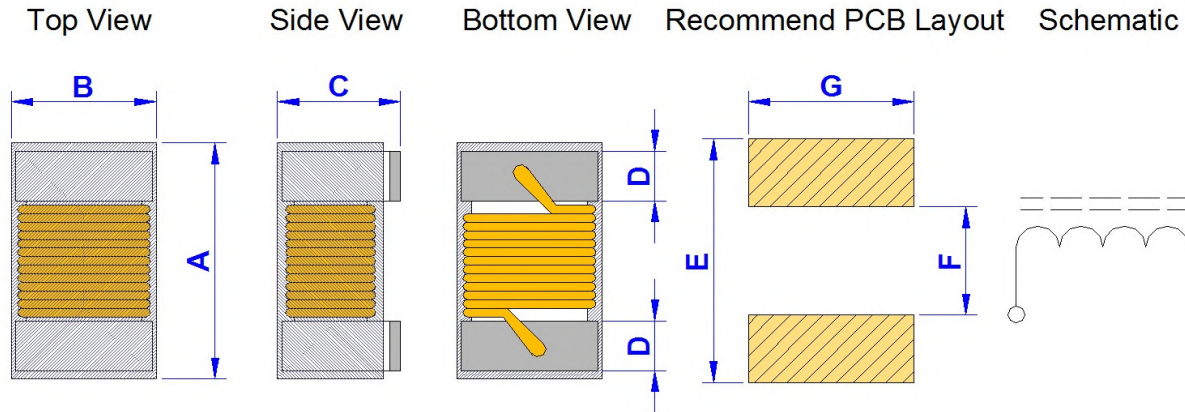
* Inductance tolerance : J = ± 5% ; K = ± 10%

* IDC based on increasing product temperature : Current when temperature of the product reaches +40 deg.C .

Product Series : GTH	Brand : GOTREND
File Version : GTH-SERIES-V5R6	Editor : Teddy Sun
Established Date : 2009.07.30	Description : High Frequency Wound Inductor
Latest Edit Date : 2020.11.06	Product Type : <input checked="" type="checkbox"/> Standard <input type="checkbox"/> Customize

GTH1005P-SERIES

Dimension [mm] :



Size	A [Max.]	B [Max.]	C [Max.]	D [Ref.]	E [Ref.]	F [Ref.]	G [Ref.]
1005P [0402]	1.27	0.76	0.61	0.23	1.46	0.46	0.66

Electrical Characteristics :

Part No.	Inductance (nH)	L-Test Freq. (MHz)	Q @250MHz Min.	S.R.F (MHz) Min.	DCR (Ohm) Max.	IDC (mA) Max.	900MHz		1.7GHz	
							L Typ.	Q Typ.	L Typ.	Q Typ.
GTH1005P□-1N0□	1.0	250	16	12700	0.045	1360	1.02	77	1.02	69
GTH1005P□-1N5□	1.5	250	14	10000	0.100	300	x	x	x	x
GTH1005P□-1N9□	1.9	250	16	11300	0.070	1040	1.72	68	1.74	82
GTH1005P□-2N0□	2.0	250	16	11100	0.070	1040	1.93	54	1.93	75
GTH1005P□-2N2□	2.2	250	19	10800	0.070	960	2.19	59	2.23	100
GTH1005P□-2N4□	2.4	250	15	10500	0.070	790	2.24	51	2.27	68
GTH1005P□-2N7□	2.7	250	16	10400	0.120	640	2.23	42	2.25	61
GTH1005P□-3N3□	3.3	250	19	7000	0.066	840	3.10	65	3.12	87
GTH1005P□-3N6□	3.6	250	19	6800	0.066	840	3.56	45	3.62	71
GTH1005P□-3N9□	3.9	250	19	5800	0.066	840	3.89	50	4.00	75
GTH1005P□-4N3□	4.3	250	18	6000	0.091	700	4.19	47	4.30	71
GTH1005P□-4N7□	4.7	250	15	4700	0.130	640	4.55	48	4.68	68
GTH1005P□-5N1□	5.1	250	20	4800	0.083	800	5.15	56	5.25	82
GTH1005P□-5N6□	5.6	250	20	4800	0.083	760	5.16	54	5.28	81
GTH1005P□-6N2□	6.2	250	20	4800	0.083	760	6.16	52	6.37	76
GTH1005P□-6N8□	6.8	250	20	4800	0.083	680	6.56	63	6.93	78
GTH1005P□-7N5□	7.5	250	22	4800	0.104	680	7.91	60	8.22	88
GTH1005P□-8N2□	8.2	250	22	4400	0.104	680	8.50	57	8.85	84
GTH1005P□-8N7□	8.7	250	18	4100	0.200	480	8.78	54	9.21	73
GTH1005P□-9N0□	9.0	250	22	4160	0.104	680	9.07	62	9.53	78
GTH1005P□-9N5□	9.5	250	18	4000	0.200	480	9.42	54	9.98	69
GTH1005P□-10N□	10.0	250	21	3900	0.195	480	9.80	50	10.10	67
GTH1005P□-11N□	11.0	250	24	3680	0.120	640	10.70	52	11.20	78
GTH1005P□-12N□	12.0	250	24	3600	0.120	640	11.90	53	12.70	71

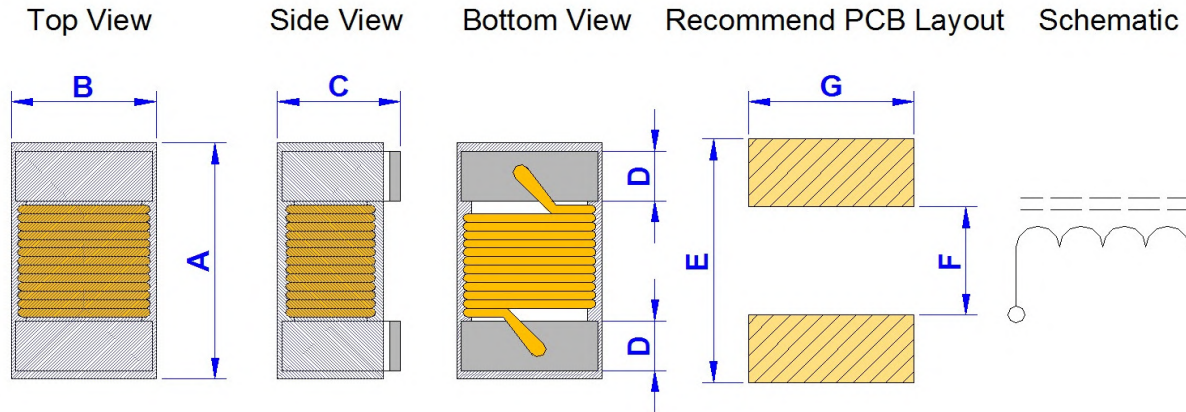
* Inductance tolerance : G = ± 2% ; J = ± 5% ; K = ± 10%

* IDC based on increasing product temperature : Current when temperature of the product reaches +40 deg.C .

Product Series : GTH	Brand : GOTREND
File Version : GTH-SERIES-V5R6	Editor : Teddy Sun
Established Date : 2009.07.30	Description : High Frequency Wound Inductor
Latest Edit Date : 2020.11.06	Product Type : <input checked="" type="checkbox"/> Standard <input type="checkbox"/> Customize

GTH1005P-SERIES

Dimension [mm] :



Size	A [Max.]	B [Max.]	C [Max.]	D [Ref.]	E [Ref.]	F [Ref.]	G [Ref.]
1005P [0402]	1.27	0.76	0.61	0.23	1.46	0.46	0.66

Electrical Characteristics :

Part No.	Inductance (nH)	L-Test Freq. (MHz)	Q @250MHz Min.	S.R.F (MHz) Min.	DCR (Ohm) Max.	IDC (mA) Max.	900MHz		1.7GHz	
							L Typ.	Q Typ.	L Typ.	Q Typ.
GTH1005P□-13N□	13.0	250	24	3450	0.210	440	13.40	51	14.60	51
GTH1005P□-15N□	15.0	250	24	3280	0.172	560	14.60	55	15.50	77
GTH1005P□-16N□	16.0	250	24	3100	0.220	560	16.60	46	18.80	47
GTH1005P□-18N□	18.0	250	24	3100	0.230	420	18.30	57	20.28	62
GTH1005P□-19N□	19.0	250	24	3040	0.202	480	19.10	50	21.10	67
GTH1005P□-20N□	20.0	250	25	3000	0.250	420	20.70	52	23.70	53
GTH1005P□-22N□	22.0	250	25	2800	0.300	400	23.20	53	26.80	53
GTH1005P□-23N□	23.0	250	22	2720	0.300	400	23.80	49	26.90	64
GTH1005P□-24N□	24.0	250	25	2700	0.300	400	25.10	51	29.50	50
GTH1005P□-27N□	27.0	250	24	2480	0.300	400	28.70	49	33.50	63
GTH1005P□-30N□	30.0	250	25	2350	0.350	400	31.10	46	38.50	39
GTH1005P□-33N□	33.0	250	24	2350	0.350	400	34.90	31	41.74	32
GTH1005P□-36N□	36.0	250	24	2320	0.440	320	39.50	44	48.40	53
GTH1005P□-39N□	39.0	250	25	2100	0.550	200	41.70	47	50.23	45
GTH1005P□-40N□	40.0	250	24	2240	0.440	320	39.00	44	47.40	33
GTH1005P□-43N□	43.0	250	25	2030	0.810	100	45.80	46	61.55	34
GTH1005P□-47N□	47.0	250	20	2100	0.830	150	50.00	38	x	x
GTH1005P□-51N□	51.0	250	25	1750	0.820	100	x	x	x	x
GTH1005P□-56N□	56.0	250	22	1760	0.970	100	x	x	x	x
GTH1005P□-68N□	68.0	250	22	1620	1.120	100	x	x	x	x
GTH1005P□-R12□	120.0	250	20	>1800	2.660	50	x	x	x	x

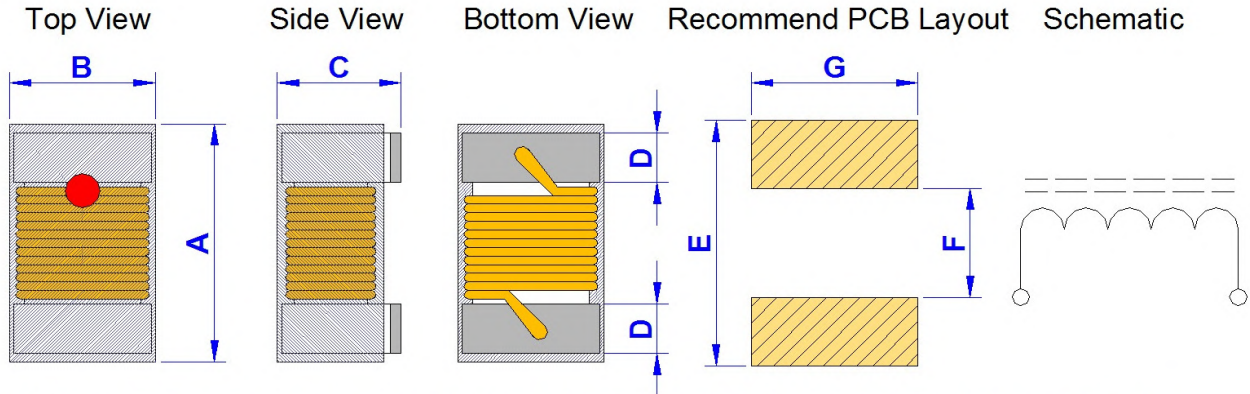
* Inductance tolerance : G = ± 2% ; J = ± 5% ; K = ± 10%

* IDC based on increasing product temperature : Current when temperature of the product reaches +40 deg.C .

Product Series : GTH	Brand : GOTREND
File Version : GTH-SERIES-V5R6	Editor : Teddy Sun
Established Date : 2009.07.30	Description : High Frequency Wound Inductor
Latest Edit Date : 2020.11.06	Product Type : <input checked="" type="checkbox"/> Standard <input type="checkbox"/> Customize

GTH1608P-SERIES

Dimension [mm] :



Marking : The sense value represented by the color point please see the electrical specification.

Size	A [Max.]	B [Max.]	C [Max.]	D [Ref.]	E [Ref.]	F [Ref.]	G [Ref.]
1608P [0603]	1.80	1.12	1.02	0.38	1.92	0.64	1.02

Electrical Characteristics :

Part No.	Inductance (nH)	L-Test Freq. (MHz)	Q @250MHz z Min.	S.R.F (MHz) Min.	DCR (Ohm) Max.	IDC (mA) Max.	900MHz		1.7GHz		E TYPE COLOR COATING
							L Typ.	Q Typ.	L Typ.	Q Typ.	
GTH1608P□-1N6J	1.60 ± 5%	250	16	12500	0.040	700	1.53	35	1.58	55	Red
GTH1608P□-1N8J	1.80 ± 5%	250	16	12500	0.045	700	1.63	35	1.66	50	Black
GTH1608P□-2N2J	2.20 ± 5%	250	15	6000	0.100	700	2.18	41	2.20	64	Yellow
GTH1608P□-2N3J	2.30 ± 5%	250	16	4000	0.140	700	2.32	32	2.35	40	None
GTH1608P□-3N3J	3.30 ± 5%	250	30	5900	0.045	700	3.42	73	3.46	95	Blue
GTH1608P□-3N6J	3.60 ± 5%	250	22	5800	0.063	700	3.53	49	3.58	65	Red
GTH1608P□-3N9J	3.90 ± 5%	250	22	6000	0.080	700	3.95	49	3.96	67	Brown
GTH1608P□-4N3J	4.30 ± 5%	250	22	5800	0.063	700	4.32	49	4.43	67	Orange
GTH1608P□-4N7J	4.70 ± 5%	250	20	5800	0.120	700	4.65	53	4.80	67	Violet
GTH1608P□-5N1J	5.10 ± 5%	250	20	5700	0.120	700	5.13	47	5.36	56	Green
GTH1608P□-5N6J	5.60 ± 5%	250	20	5800	0.170	700	5.53	56	5.86	77	Black
GTH1608P□-6N3J	6.30 ± 5%	250	20	5700	0.120	700	5.50	47	6.10	60	White
GTH1608P□-6N8J	6.80 ± 5%	250	27	5800	0.130	700	6.75	60	7.10	81	Red
GTH1608P□-7N5J	7.50 ± 5%	250	27	4800	0.120	700	7.39	62	7.71	81	Brown
GTH1608P□-8N2J	8.20 ± 5%	250	27	4700	0.130	700	8.25	64	8.40	87	Orange
GTH1608P□-8N7J	8.70 ± 5%	250	27	4600	0.110	700	8.84	62	9.38	58	Yellow
GTH1608P□-9N1J	9.10 ± 5%	250	28	4600	0.120	700	9.21	62	9.77	75	Black
GTH1608P□-9N5J	9.50 ± 5%	250	27	5400	0.150	700	9.64	59	9.38	61	Blue
GTH1608P□-10NJ	10.00 ± 5%	250	31	4800	0.150	700	10.00	66	10.50	83	Orange
GTH1608P□-11NJ	11.00 ± 5%	250	30	4000	0.150	700	11.30	53	12.10	56	Gray
GTH1608P□-12NJ	12.00 ± 5%	250	35	4000	0.150	700	12.30	72	13.50	83	Yellow
GTH1608P□-15NJ	15.00 ± 5%	250	35	4000	0.180	700	15.40	64	16.80	89	Green
GTH1608P□-16NJ	16.00 ± 5%	250	34	3300	0.170	700	16.50	55	18.00	52	White
GTH1608P□-18NJ	18.00 ± 5%	250	35	3100	0.180	700	18.70	70	21.40	69	Blue

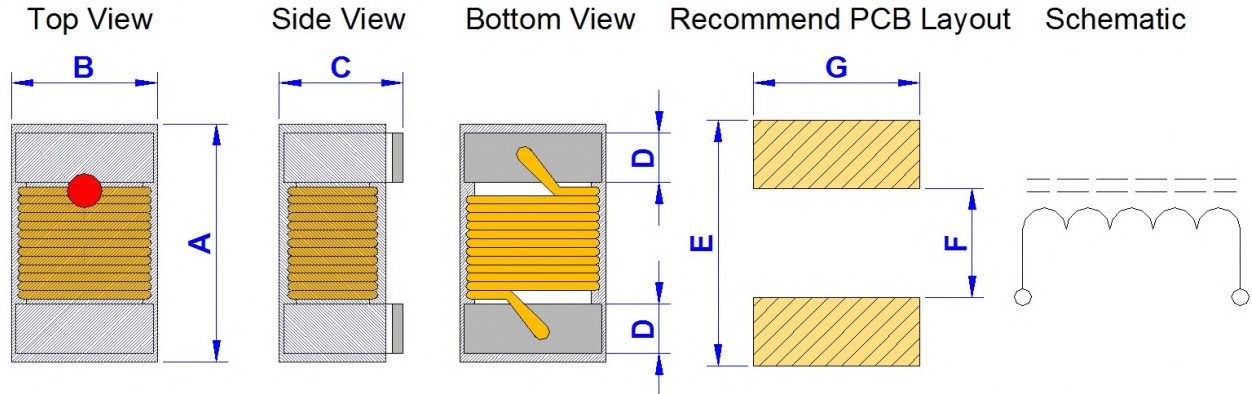
* Inductance tolerance : G = ± 2% ; J = ± 5% ; K = ± 10%

* IDC based on increasing product temperature : Current when temperature of the product reaches +40 deg.C .

Product Series : GTH	Brand : GOTREND
File Version : GTH-SERIES-V5R6	Editor : Teddy Sun
Established Date : 2009.07.30	Description : High Frequency Wound Inductor
Latest Edit Date : 2020.11.06	Product Type : <input checked="" type="checkbox"/> Standard <input type="checkbox"/> Customize

GTH1608P-SERIES

Dimension [mm] :



Marking : The sense value represented by the color point please see the electrical specification.

Size	A [Max.]	B [Max.]	C [Max.]	D [Ref.]	E [Ref.]	F [Ref.]	G [Ref.]
1608P [0603]	1.80	1.12	1.02	0.38	1.92	0.64	1.02

Electrical Characteristics :

Part No.	Inductance (nH)	L-Test Freq. (MHz)	Q @250MHz z Min.	S.R.F (MHz) Min.	DCR (Ohm) Max.	IDC (mA) Max.	900MHz		1.7GHz		E TYPE COLOR COATING
							L Typ.	Q Typ.	L Typ.	Q Typ.	
GTH1608P□-19NJ	19.00 ± 5%	250	35	3000	0.190	700	19.71	73	23.35	62	Brown
GTH1608P□-20NJ	20.00 ± 5%	250	38	3000	0.180	700	20.50	79	23.27	86	Red
GTH1608P□-22NJ	22.00 ± 5%	250	38	3000	0.210	700	22.80	73	26.10	71	Violet
GTH1608P□-23NJ	23.00 ± 5%	250	38	2850	0.205	700	24.19	70	28.48	72	Orange
GTH1608P□-24NJ	24.00 ± 5%	250	36	2650	0.210	700	24.10	45	28.00	40	Black
GTH1608P□-25NJ	25.00 ± 5%	250	38	2800	0.210	600	25.93	84	29.73	89	Yellow
GTH1608P□-27NJ	27.00 ± 5%	250	40	2800	0.220	600	29.20	74	34.60	65	Gray
GTH1608P□-30NJ	30.00 ± 5%	250	37	2250	0.220	600	31.40	47	39.80	28	Brown
GTH1608P□-33NJ	33.00 ± 5%	250	40	2300	0.240	600	36.00	67	49.50	42	White
GTH1608P□-36NJ	36.00 ± 5%	250	37	2080	0.250	600	39.10	47	48.90	24	Red
GTH1608P□-39NJ	39.00 ± 5%	250	40	2200	0.260	600	42.70	60	60.20	40	Black
GTH1608P□-43NJ	43.00 ± 5%	200	38	2000	0.280	600	46.90	44	60.30	21	Orange
GTH1608P□-47NJ	47.00 ± 5%	200	38	2000	0.280	600	52.20	62	77.20	35	Brown
GTH1608P□-51NJ	51.00 ± 5%	200	38	2130	0.300	600	59.27	50	103.8	23	Violet
GTH1608P□-56NJ	56.00 ± 5%	200	38	1900	0.310	600	62.50	56	97.00	26	Red
GTH1608P□-62NJ	62.00 ± 5%	200	37	1800	0.330	600	73.30	42	156.5	16	Gray
GTH1608P□-68NJ	68.00 ± 5%	200	37	1700	0.340	600	80.50	54	168.0	21	Orange
GTH1608P□-72NJ	72.00 ± 5%	150	34	1700	0.490	400	82.00	53	135.0	20	Yellow
GTH1608P□-82NJ	82.00 ± 5%	150	34	1700	0.540	400	96.20	54	177.0	21	Green
GTH1608P□-91NJ	91.00 ± 5%	150	34	1500	0.560	400	111.80	49	X	X	Brown
GTH1608P□-R10J	100.00 ± 5%	150	34	1400	0.580	400	124.00	49	X	X	Blue
GTH1608P□-R11J	110.00 ± 5%	150	32	1350	0.610	300	138.00	43	X	X	Violet
GTH1608P□-R12J	120.00 ± 5%	150	32	1300	0.650	300	166.00	39	X	X	Gray
GTH1608P□-R13J	130.00 ± 5%	150	32	1200	0.750	280	180.10	36	X	X	Orange

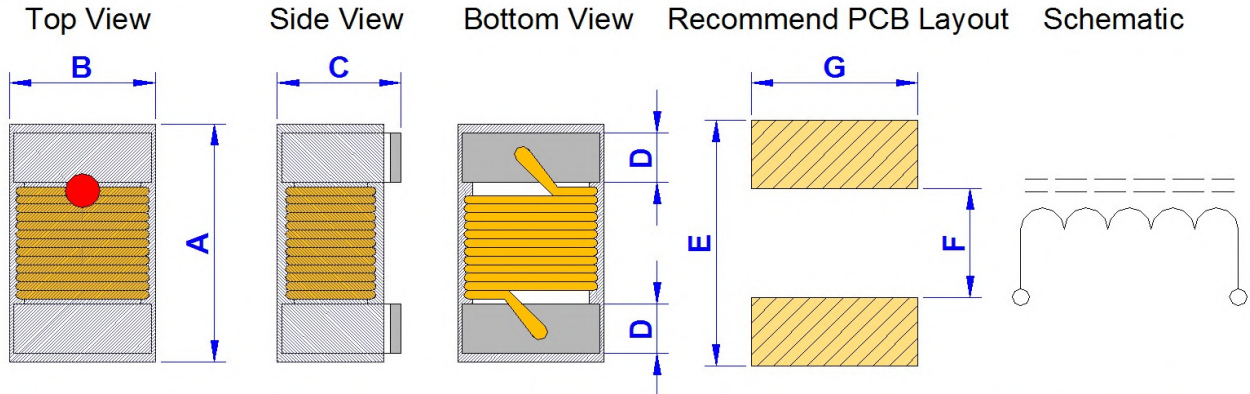
* Inductance tolerance : G = ± 2% ; J = ± 5% ; K = ± 10%

* IDC based on increasing product temperature : Current when temperature of the product reaches +40 deg.C .

Product Series : GTH	Brand : GOTREND
File Version : GTH-SERIES-V5R6	Editor : Teddy Sun
Established Date : 2009.07.30	Description : High Frequency Wound Inductor
Latest Edit Date : 2020.11.06	Product Type : <input checked="" type="checkbox"/> Standard <input type="checkbox"/> Customize

GTH1608P-SERIES

Dimension [mm] :



Marking : The sense value represented by the color point please see the electrical specification.

Size	A [Max.]	B [Max.]	C [Max.]	D [Ref.]	E [Ref.]	F [Ref.]	G [Ref.]
1608P [0603]	1.80	1.12	1.02	0.38	1.92	0.64	1.02

Electrical Characteristics :

Part No.	Inductance (nH)	L-Test Freq. (MHz)	Q @250MHz z Min.	S.R.F (MHz) Min.	DCR (Ohm) Max.	IDC (mA) Max.	900MHz		1.7GHz		E TYPE COLOR COATING
							L Typ.	Q Typ.	L Typ.	Q Typ.	
GTH1608P□-R15J	150.00 ± 5%	150	32	1300	0.950	280	230.00	25	X	X	White
GTH1608P□-R17J	170.00 ± 5%	100	25	990	1.150	240	228.40	34	X	X	Yellow
GTH1608P□-R18J	180.00 ± 5%	100	25	1250	1.400	250	305.00	22	X	X	Black
GTH1608P□-R19J	190.00 ± 5%	100	25	990	1.350	200	279.10	30	X	X	Green
GTH1608P□-R20J	200.00 ± 5%	100	25	990	1.500	200	X	X	X	X	Orange
GTH1608P□-R22J	220.00 ± 5%	100	25	900	1.600	250	480.00	8	X	X	Brown
GTH1608P□-R24J	240.00 ± 5%	100	25	900	1.900	200	X	X	X	X	Violet
GTH1608P□-R27J	270.00 ± 5%	100	25	900	2.100	200	980.00	4	X	X	Red
GTH1608P□-R33J	330.00 ± 5%	100	25	900	2.750	100	970.6	9	X	X	Blue
GTH1608P□-R34J	340.00 ± 5%	100	25	900	2.900	100	X	X	X	X	Gray
GTH1608P□-R39J	390.00 ± 5%	100	25	900	4.350	100	734.5	29	X	X	Yellow
GTH1608P□-R47J	470.00 ± 5%	100	25	750	4.000	80	X	X	X	X	Green
GTH1608P□-1R0J	1000.00 ± 5%	7.96	16 @7.96M	190	1.200	300	X	X	X	X	None

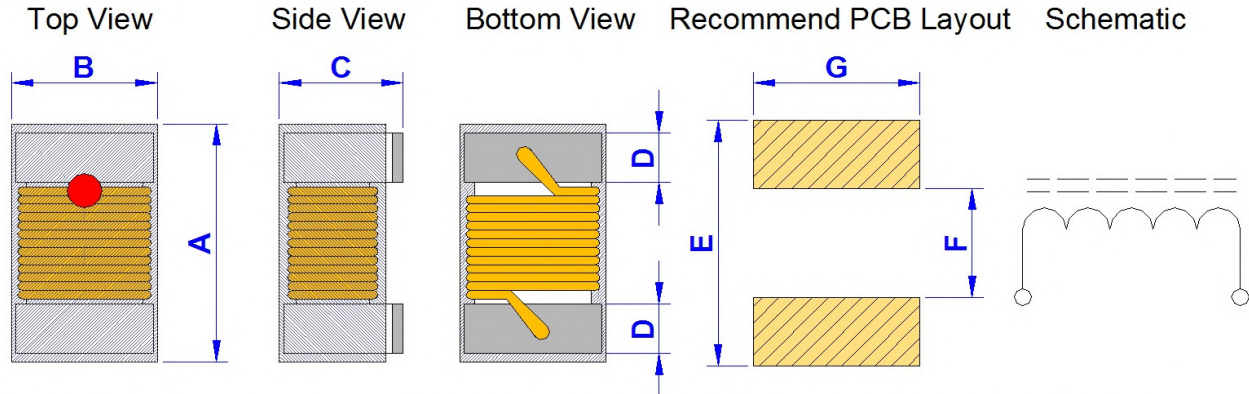
* Inductance tolerance : G = ± 2% ; J = ± 5% ; K = ± 10%

* IDC based on increasing product temperature : Current when temperature of the product reaches +40 deg.C .

Product Series : GTH	Brand : GOTREND
File Version : GTH-SERIES-V5R6	Editor : Teddy Sun
Established Date : 2009.07.30	Description : High Frequency Wound Inductor
Latest Edit Date : 2020.11.06	Product Type : <input checked="" type="checkbox"/> Standard <input type="checkbox"/> Customize

GTH1608PS-SERIES

Dimension [mm] :



Marking : The sense value represented by the color point please see the electrical specification.

Size	A [Max.]	B [Max.]	C [Max.]	D [Ref.]	E [Ref.]	F [Ref.]	G [Ref.]
1608P [0603]	1.80	1.12	1.02	0.38	1.92	0.64	1.02

Electrical Characteristics :

Part No.	Inductance (nH)	L-Test Freq. (MHz)	Q Min.	S.R.F (MHz) Min.	DCR (Ohm) Max.	IDC (mA) Max.	S TYPE COLOR COATING
GTH1608PS-1N6J	1.60 ± 5%	250	24	12500	0.030	700	Black
GTH1608PS-1N8J	1.80 ± 5%	250	16	12500	0.045	700	Brown
GTH1608PS-2N2J	2.20 ± 5%	100	20	5800	0.050	700	Orange
GTH1608PS-3N3J	3.30 ± 5%	250	20	5500	0.070	700	Violet
GTH1608PS-3N6J	3.60 ± 5%	250	22	5900	0.063	700	Red
GTH1608PS-3N9J	3.90 ± 5%	250	22	5900	0.080	700	Orange
GTH1608PS-4N3J	4.30 ± 5%	250	22	5900	0.063	700	Yellow
GTH1608PS-4N7J	4.70 ± 5%	250	20	5800	0.116	700	Green
GTH1608PS-5N1J	5.10 ± 5%	250	20	5700	0.140	700	Blue
GTH1608PS-5N6G	5.60 ± 2%	250	20	5800	0.150	700	Gray
GTH1608PS-6N1G	6.10 ± 2%	250	25	5800	0.110	700	White
GTH1608PS-6N8G	6.80 ± 2%	250	27	5800	0.110	700	Violet
GTH1608PS-7N5G	7.50 ± 2%	250	28	4800	0.106	700	Gray
GTH1608PS-8N2G	8.20 ± 2%	250	25	5800	0.120	700	Black
GTH1608PS-8N4G	8.40 ± 2%	250	28	4600	0.109	700	Red
GTH1608PS-8N5G	8.50 ± 2%	250	28	4600	0.109	700	Red
GTH1608PS-8N7G	8.70 ± 2%	250	28	4600	0.109	700	White
GTH1608PS-9N5G	9.50 ± 2%	250	28	5400	0.135	700	Black
GTH1608PS-10NG	10.00 ± 2%	250	31	4800	0.130	700	Brown
GTH1608PS-11NG	11.00 ± 2%	250	33	4000	0.086	700	Red
GTH1608PS-12NG	12.00 ± 2%	250	35	4000	0.130	700	Orange
GTH1608PS-14NG	14.00 ± 2%	250	35	4000	0.170	700	Brown
GTH1608PS-15NG	15.00 ± 2%	250	35	4000	0.170	700	Yellow
GTH1608PS-16NG	16.00 ± 2%	250	34	3300	0.104	700	Green
GTH1608PS-18NG	18.00 ± 2%	250	35	3100	0.170	700	Blue

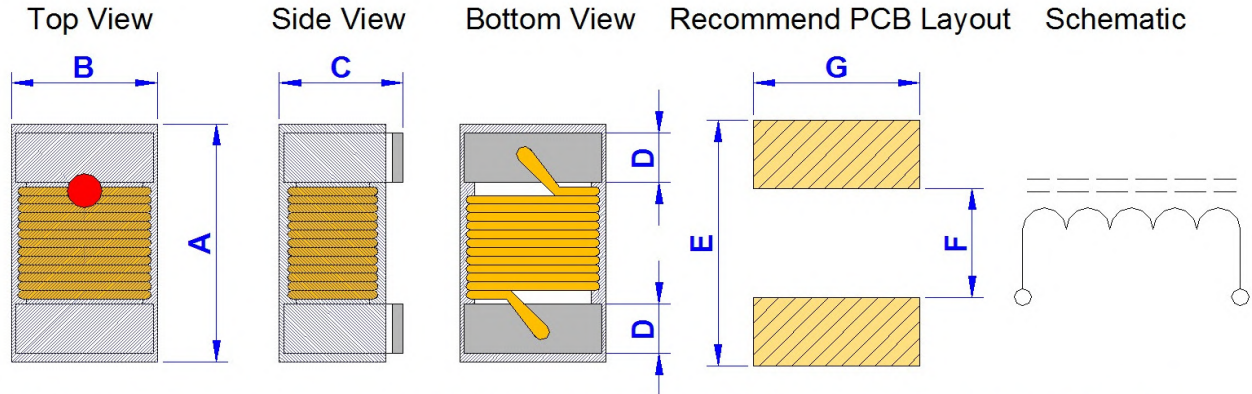
* Inductance tolerance : G = ± 2% ; J = ± 5% ; K = ± 10%

* IDC based on increasing product temperature : Current when temperature of the product reaches +40 deg.C .

Product Series : GTH	Brand : GOTREND
File Version : GTH-SERIES-V5R6	Editor : Teddy Sun
Established Date : 2009.07.30	Description : High Frequency Wound Inductor
Latest Edit Date : 2020.11.06	Product Type : <input checked="" type="checkbox"/> Standard <input type="checkbox"/> Customize

GTH1608PS-SERIES

Dimension [mm] :



Marking : The sense value represented by the color point please see the electrical specification.

Size	A [Max.]	B [Max.]	C [Max.]	D [Ref.]	E [Ref.]	F [Ref.]	G [Ref.]
1608P [0603]	1.80	1.12	1.02	0.38	1.92	0.64	1.02

Electrical Characteristics :

Part No.	Inductance (nH)	L-Test Freq. (MHz)	Q Min.	S.R.F (MHz) Min.	DCR (Ohm) Max.	IDC (mA) Max.	S TYPE COLOR COATING
GTH1608PS-22NG	22.00 ± 2%	250	38	3000	0.190	700	Violet
GTH1608PS-24NG	24.00 ± 2%	250	37	2650	0.135	700	Gray
GTH1608PS-27NG	27.00 ± 2%	250	40	2800	0.220	600	White
GTH1608PS-30NG	30.00 ± 2%	250	37	2250	0.144	600	Black
GTH1608PS-33NG	33.00 ± 2%	250	40	2300	0.220	600	Brown
GTH1608PS-36NG	36.00 ± 2%	250	38	2080	0.250	600	Red
GTH1608PS-39NG	39.00 ± 2%	250	40	2200	0.250	600	Orange
GTH1608PS-43NG	43.00 ± 2%	250	39	2000	0.280	600	Yellow
GTH1608PS-47NG	47.00 ± 2%	200	38	2000	0.280	600	Green
GTH1608PS-56NG	56.00 ± 2%	200	38	1900	0.310	600	Blue
GTH1608PS-68NG	68.00 ± 2%	200	37	1700	0.340	600	Violet
GTH1608PS-72NG	72.00 ± 2%	150	34	1700	0.490	400	Gray
GTH1608PS-82NG	82.00 ± 2%	150	34	1700	0.540	400	White
GTH1608PS-91NG	91.00 ± 2%	150	34	1700	0.560	400	Violet
GTH1608PS-R10G	100.00 ± 2%	150	34	1400	0.580	400	Black
GTH1608PS-R11G	110.00 ± 2%	150	32	1350	0.610	300	Brown
GTH1608PS-R12G	120.00 ± 2%	150	32	1300	0.650	300	Red
GTH1608PS-R15G	150.00 ± 2%	150	28	990	0.920	280	Orange
GTH1608PS-R18G	180.00 ± 2%	100	25	990	1.250	240	Yellow
GTH1608PS-R20G	200.00 ± 2%	100	25	1200	1.500	250	Blue
GTH1608PS-R22G	220.00 ± 2%	100	25	900	1.900	200	Green
GTH1608PS-R27G	270.00 ± 2%	100	24	900	2.300	170	Blue
GTH1608PS-R33G	330.00 ± 2%	100	24	900	3.900	150	Violet
GTH1608PS-R39G	390.00 ± 2%	100	25	900	4.350	100	Gray
GTH1608PS-R47G	470.00 ± 2%	100	25	600	4.350	100	White

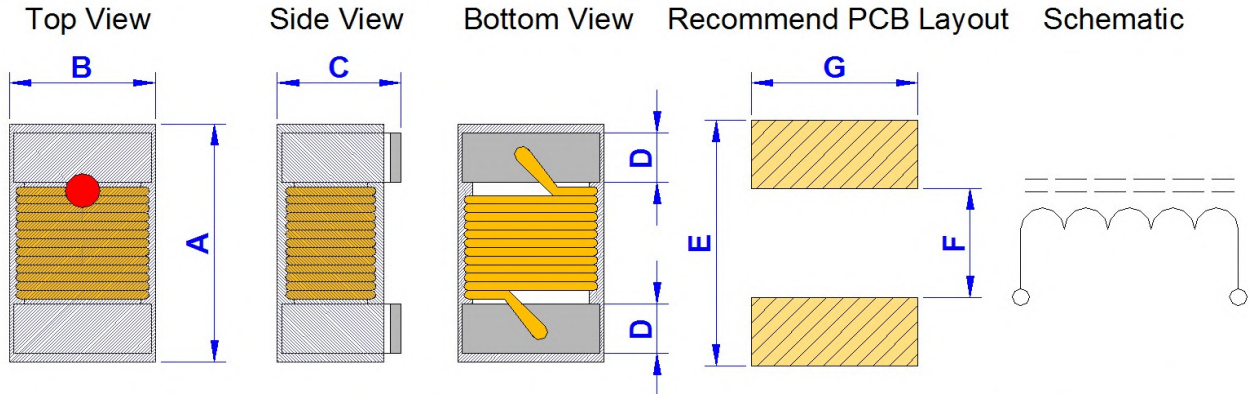
* Inductance tolerance : G = ± 2% ; J = ± 5% ; K = ± 10%

* IDC based on increasing product temperature : Current when temperature of the product reaches +40 deg.C .

Product Series : GTH	Brand : GOTREND
File Version : GTH-SERIES-V5R6	Editor : Teddy Sun
Established Date : 2009.07.30	Description : High Frequency Wound Inductor
Latest Edit Date : 2020.11.06	Product Type : <input checked="" type="checkbox"/> Standard <input type="checkbox"/> Customize

GTH2012P-SERIES

Dimension [mm] :



Marking : The sense value represented by the color point please see the electrical specification.

Size	A [Max.]	B [Max.]	C [Max.]	D [Ref.]	E [Ref.]	F [Ref.]	G [Ref.]
2012P [0805]	2.29	1.73	1.52	0.51	2.68	0.64	1.55

Electrical Characteristics :

Part NO.	Inductance (nH)	L-Test Freq. (MHz)	Q Min.	Q-Test Freq. (MHz)	S.R.F (MHz) Min.	DCR (Ohm) Max.	IDC (mA) Max.	E TYPE COLOR COATING
GTH2012P□-2N8J	2.8 ± 5%	250	55	1500	7900	0.06	800	Gray
GTH2012P□-3N0J	3.0 ± 5%	250	55	1500	7900	0.08	800	White
GTH2012P□-3N3J	3.3 ± 5%	250	45	1500	7900	0.12	600	Black
GTH2012P□-5N1J	5.1 ± 5%	250	60	1000	5800	0.06	600	Yellow
GTH2012P□-5N6J	5.6 ± 5%	250	65	1000	5500	0.08	600	Orange
GTH2012P□-6N2J	6.2 ± 5%	250	50	1000	5500	0.11	600	Violet
GTH2012P□-6N8J	6.8 ± 5%	250	50	1000	5500	0.11	600	Brown
GTH2012P□-7N5J	7.5 ± 5%	250	50	1000	4500	0.14	600	Green
GTH2012P□-8N2J	8.2 ± 5%	250	50	1000	4700	0.12	600	Red
GTH2012P□-10NJ	10.0 ± 5%	250	60	1000	4200	0.10	600	Blue
GTH2012P□-12NJ	12.0 ± 5%	250	50	500	4000	0.15	600	Orange
GTH2012P□-15NJ	15.0 ± 5%	250	50	500	3400	0.17	600	Yellow
GTH2012P□-18NJ	18.0 ± 5%	250	50	500	3300	0.20	600	Green
GTH2012P□-22NJ	22.0 ± 5%	250	55	500	2600	0.22	500	Blue
GTH2012P□-24NJ	24.0 ± 5%	250	50	500	2000	0.22	500	Gray
GTH2012P□-27NJ	27.0 ± 2%	250	55	500	2500	0.25	500	Violet
GTH2012P□-33NJ	33.0 ± 5%	250	60	500	2050	0.27	500	Gray
GTH2012P□-36NJ	36.0 ± 5%	250	55	500	1700	0.27	500	Orange
GTH2012P□-39NJ	39.0 ± 5%	250	60	500	2000	0.29	500	White
GTH2012P□-43NJ	43.0 ± 5%	200	60	500	1650	0.34	500	Yellow
GTH2012P□-47NJ	47.0 ± 5%	200	60	500	1650	0.31	500	Black
GTH2012P□-56NJ	56.0 ± 5%	200	60	500	1550	0.34	500	Brown
GTH2012P□-68NJ	68.0 ± 2%	200	60	500	1450	0.38	500	Red
GTH2012P□-75NJ	75.0 ± 5%	200	60	500	1400	0.40	400	Violet
GTH2012P□-82NJ	82.0 ± 2%	150	65	500	1300	0.42	400	Orange
GTH2012P□-91NJ	91.0 ± 5%	150	65	500	1200	0.48	400	Black

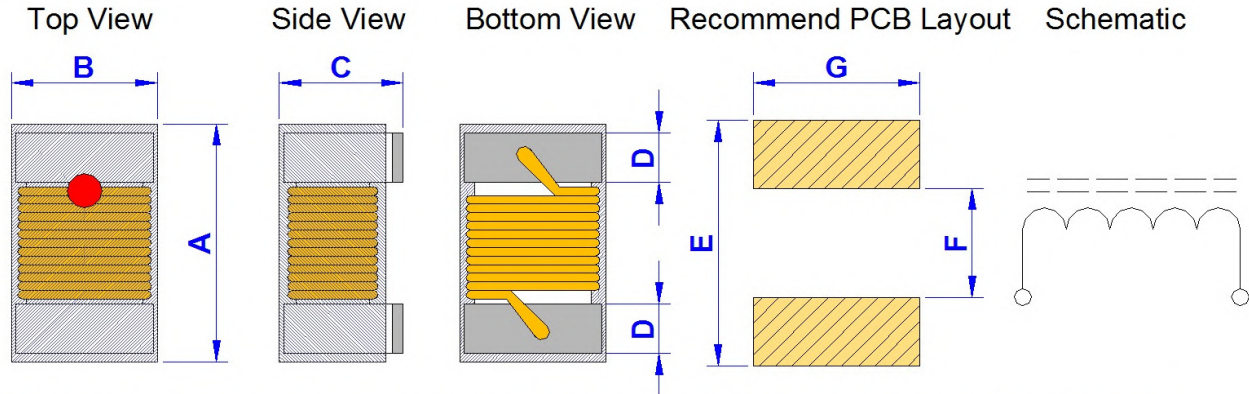
* Inductance tolerance : G = ± 2% ; J = ± 5% ; K = ± 10%

* IDC based on increasing product temperature : Current when temperature of the product reaches +40 deg.C .

Product Series : GTH	Brand : GOTREND
File Version : GTH-SERIES-V5R6	Editor : Teddy Sun
Established Date : 2009.07.30	Description : High Frequency Wound Inductor
Latest Edit Date : 2020.11.06	Product Type : <input checked="" type="checkbox"/> Standard <input type="checkbox"/> Customize

GTH2012P-SERIES

Dimension [mm] :



Marking : The sense value represented by the color point please see the electrical specification.

Size	A [Max.]	B [Max.]	C [Max.]	D [Ref.]	E [Ref.]	F [Ref.]	G [Ref.]
2012P [0805]	2.29	1.73	1.52	0.51	2.68	0.64	1.55

Electrical Characteristics :

Part NO.	Inductance (nH)	L-Test Freq. (MHz)	Q Min.	Q-Test Freq. (MHz)	S.R.F (MHz) Min.	DCR (Ohm) Max.	IDC (mA) Max.	E TYPE COLOR COATING
GTH2012P□-R10J	100.0 ± 5%	150	65	500	1200	0.46	400	Yellow
GTH2012P□-R11J	110.0 ± 5%	150	50	250	1000	0.48	400	Brown
GTH2012P□-R12J	120.0 ± 2%	150	50	250	1100	0.51	400	Green
GTH2012P□-R15J	150.0 ± 5%	100	50	250	920	0.56	400	Blue
GTH2012P□-R16J	160.0 ± 5%	100	50	250	900	0.60	400	Gray
GTH2012P□-R18J	180.0 ± 5%	100	50	250	870	0.64	400	Violet
GTH2012P□-R20J	200.0 ± 5%	100	50	250	860	0.66	400	Red
GTH2012P□-R22J	220.0 ± 5%	100	50	250	850	0.78	400	Gray
GTH2012P□-R24J	240.0 ± 5%	100	44	250	690	1.00	350	Red
GTH2012P□-R25J	250.0 ± 5%	100	45	250	680	1.00	350	Yellow
GTH2012P□-R27J	270.0 ± 5%	100	48	250	650	1.00	350	White
GTH2012P□-R33J	330.0 ± 5%	100	48	250	600	1.40	310	Black
GTH2012P□-R39J	390.0 ± 5%	100	48	250	560	1.50	290	Brown
GTH2012P□-R47J	470.0 ± 5%	50	33	100	375	1.70	220	Violet
GTH2012P□-R56J	560.0 ± 5%	25	23	50	340	1.90	210	Orange
GTH2012P□-R62J	620.0 ± 5%	25	23	50	220	2.20	210	White
GTH2012P□-R68J	680.0 ± 5%	25	23	50	200	2.20	190	Green
GTH2012P□-R75J	750.0 ± 5%	25	23	50	200	2.30	180	Violet
GTH2012P□-R82J	820.0 ± 5%	25	23	50	200	2.35	180	Blue
GTH2012P□-1R0J	1000.0 ± 5%	25	20	50	100	2.50	170	Violet
GTH2012P□-1R2J	1200.0 ± 5%	7.9	18	25	100	2.50	170	None
GTH2012P□-1R5J	1500.0 ± 5%	7.9	16	25	100	2.50	170	Black
GTH2012P□-1R8J	1800.0 ± 5%	7.9	16	7.9	80	2.50	170	Brown
GTH2012P□-2R2J	2200.0 ± 5%	7.9	16	7.9	60	2.70	160	Red
GTH2012P□-2R7J	2700.0 ± 5%	7.9	16	7.9	50	2.95	150	Orange

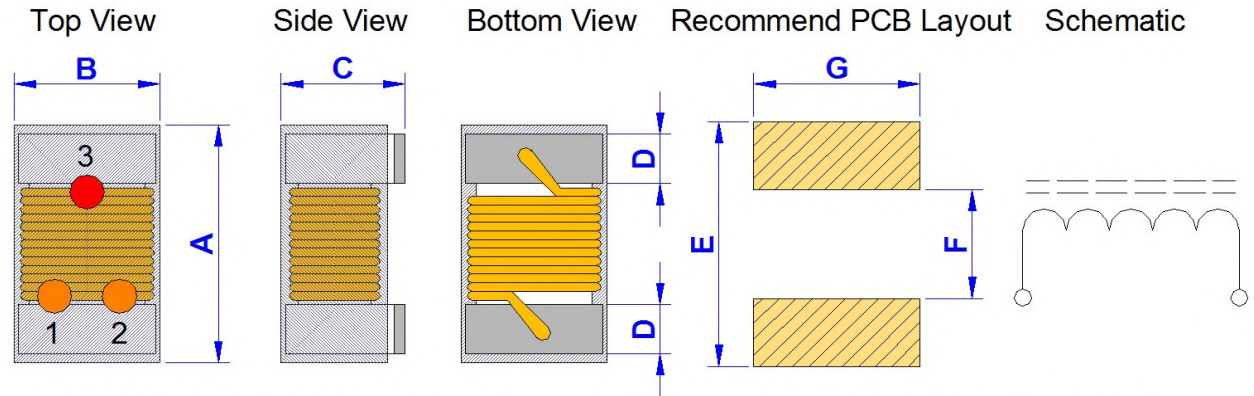
* Inductance tolerance : G = ± 2% ; J = ± 5% ; K = ± 10%

* IDC based on increasing product temperature : Current when temperature of the product reaches +40 deg.C .

Product Series : GTH	Brand : GOTREND
File Version : GTH-SERIES-V5R6	Editor : Teddy Sun
Established Date : 2009.07.30	Description : High Frequency Wound Inductor
Latest Edit Date : 2020.11.06	Product Type : <input checked="" type="checkbox"/> Standard <input type="checkbox"/> Customize

GTH2520P-SERIES

Dimension [mm] :



Marking : 1. Color point code : 0 1 2 3 4 5 6 7 8 9
 Black Brown Red Orange Yellow Green Blue Violet Gray White

2. Color point inductance conversion method: [(1st. dot x 10) + 2nd. dot] x 10^{3rd. dot} = nH

Size	A [Max.]	B [Max.]	C [Max.]	D [Ref.]	E [Ref.]	F [Ref.]	G [Ref.]
2520P [1008]	2.92	2.80	2.23	0.51	3.31	1.27	2.54

Electrical Characteristics :

Part NO.	Inductance (nH)	L-Test Freq. (MHz)	Q Min.	Q-Test Freq. (MHz)	S.R.F (MHz) Min.	DCR (Ohm) Max.	IDC (mA) Max.	E TYPE COLOR COATING		
								1st.	2nd.	3rd.
GTH2520P□-10NK	10 ± 10%	50	50	500	4100	0.08	1000	Brown	Black	Black
GTH2520P□-12NK	12 ± 10%	50	50	500	3300	0.09	1000	Brown	Red	Black
GTH2520P□-15NK	15 ± 10%	50	45	500	2500	0.10	1000	Brown	Green	Black
GTH2520P□-18NK	18 ± 10%	50	50	350	2400	0.11	1000	Brown	Gray	Black
GTH2520P□-22NJ	22 ± 5%	50	55	350	2400	0.12	1000	Red	Red	Black
GTH2520P□-27NJ	27 ± 5%	50	55	350	1600	0.13	1000	Red	Violet	Black
GTH2520P□-33NJ	33 ± 5%	50	60	350	1600	0.14	1000	Orange	Orange	Black
GTH2520P□-39NJ	39 ± 5%	50	60	350	1500	0.15	1000	Orange	White	Black
GTH2520P□-47NJ	47 ± 5%	50	65	350	1500	0.16	1000	Yellow	Violet	Black
GTH2520P□-56NJ	56 ± 5%	50	65	350	1300	0.18	1000	Green	Blue	Black
GTH2520P□-68NJ	68 ± 5%	50	65	350	1300	0.20	1000	Blue	Gray	Black
GTH2520P□-82NJ	82 ± 5%	50	60	350	1000	0.22	1000	Gray	Red	Black
GTH2520P□-R10J	100 ± 5%	25	60	350	1000	0.56	650	Brown	Black	Brown
GTH2520P□-R12J	120 ± 5%	25	60	350	950	0.63	650	Brown	Red	Brown
GTH2520P□-R15J	150 ± 5%	25	45	100	850	0.70	580	Brown	Green	Brown
GTH2520P□-R18J	180 ± 5%	25	45	100	750	0.77	620	Brown	Gray	Brown
GTH2520P□-R22J	220 ± 5%	25	45	100	700	0.84	500	Red	Red	Brown
GTH2520P□-R27J	270 ± 5%	25	45	100	600	0.91	500	Red	Violet	Brown
GTH2520P□-R33J	330 ± 5%	25	45	100	570	1.05	450	Orange	Orange	Brown
GTH2520P□-R39J	390 ± 5%	25	45	100	500	1.12	470	Orange	White	Brown
GTH2520P□-R47J	470 ± 5%	25	45	100	450	1.19	470	Yellow	Violet	Brown
GTH2520P□-R56J	560 ± 5%	25	45	100	415	1.33	400	Green	Blue	Brown

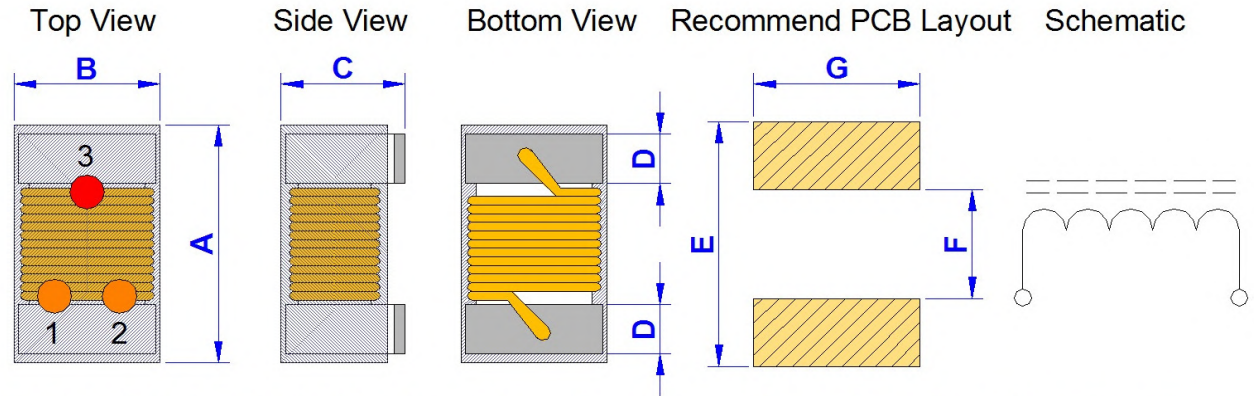
* Inductance tolerance : G = ± 2% ; J = ± 5% ; K = ± 10%

* IDC based on increasing product temperature : Current when temperature of the product reaches +40 deg.C .

Product Series : GTH	Brand : GOTREND
File Version : GTH-SERIES-V5R6	Editor : Teddy Sun
Established Date : 2009.07.30	Description : High Frequency Wound Inductor
Latest Edit Date : 2020.11.06	Product Type : <input checked="" type="checkbox"/> Standard <input type="checkbox"/> Customize

GTH2520P-SERIES

Dimension [mm] :



Marking : 1. Color point code : 0 1 2 3 4 5 6 7 8 9
 Black Brown Red Orange Yellow Green Blue Violet Gray White

2. Color point inductance conversion method: [(1st. dot x 10) + 2nd. dot] x 10^{3rd. dot} = nH

Size	A [Max.]	B [Max.]	C [Max.]	D [Ref.]	E [Ref.]	F [Ref.]	G [Ref.]
2520P [1008]	2.92	2.80	2.23	0.51	3.31	1.27	2.54

Electrical Characteristics :

Part NO.	Inductance (nH)	L-Test Freq. (MHz)	Q Min.	Q-Test Freq. (MHz)	S.R.F (MHz) Min.	DCR (Ohm) Max.	IDC (mA) Max.	E TYPE COLOR COATING		
								1st.	2nd.	3rd.
GTH2520P□-R62J	620 ± 5%	25	45	100	375	1.40	300	Blue	Red	Brown
GTH2520P□-R68J	680 ± 5%	25	45	100	375	1.47	400	Blue	Gray	Brown
GTH2520P□-R75J	750 ± 5%	25	45	100	360	1.54	360	Violet	Green	Brown
GTH2520P□-R82J	820 ± 5%	25	45	100	350	1.65	400	Gray	Red	Brown
GTH2520P□-R91J	910 ± 5%	25	35	50	320	1.68	380	White	Brown	Brown
GTH2520P□-1R0J	1000 ± 5%	25	35	50	290	1.75	370	Brown	Black	Red
GTH2520P□-1R2J	1200 ± 5%	7.9	35	50	250	2.00	310	Brown	Red	Red
GTH2520P□-1R5J	1500 ± 5%	7.9	28	50	200	2.30	330	Brown	Green	Red
GTH2520P□-1R8J	1800 ± 5%	7.9	28	50	160	2.60	300	Brown	Gray	Red
GTH2520P□-2R2J	2200 ± 5%	7.9	28	50	160	2.80	280	Red	Red	Red
GTH2520P□-2R7J	2700 ± 5%	7.9	22	25	135	3.20	290	Red	Violet	Red
GTH2520P□-3R3J	3300 ± 5%	7.9	22	25	110	3.40	290	Orange	Orange	Red
GTH2520P□-3R9J	3900 ± 5%	7.9	20	25	100	3.60	260	Orange	White	Red
GTH2520P□-4R7J	4700 ± 5%	7.9	20	25	90	4.00	260	Yellow	Violet	Red
GTH2520P□-5R6J	5600 ± 5%	7.9	18	7.9	40	4.20	240	Green	Blue	Red
GTH2520P□-6R8J	6800 ± 5%	7.9	18	7.9	40	4.90	200	Blue	Gray	Red
GTH2520P□-8R2J	8200 ± 5%	7.9	18	7.9	25	6.00	170	Gray	Red	Red
GTH2520P□-100J	10000 ± 5%	7.9	18	7.9	25	8.00	150	Brown	Black	Orange

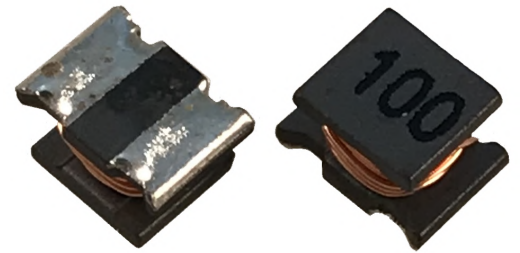
* Inductance tolerance : G = ± 2% ; J = ± 5% ; K = ± 10%

* IDC based on increasing product temperature : Current when temperature of the product reaches +40 deg.C .

Product Series : GTLQH	Brand : GOTREND
File Version : GTLQH-SERIES-V4R8	Editor : Teddy Sun
Established Date : 2009.07.09	Description : Ferrite Core Wound Inductor
Latest Edit Date : 2020.11.06	Product Type : <input checked="" type="checkbox"/> Standard <input type="checkbox"/> Customize

Features & Application :

- * High-Q value for signal line
- * Wide band signal line,PWM circuit in/output inductor
- * To help you go pass the CE/FCC standard.
- * Especially for XDSL Lan & Communication



(Picture for reference only)

Part No. Example :

PN	:	GTLQH	43	P	G	-	121	J
-----		-----	-----	---	-----		-----	---
ID	:	1	2	3	4		5	6
1	:	GOTREND Series : GTLQH						
2	:	Size Code : 25=2.5x2.0, 43=4.5x3.2...etc.						
3	:	[P] : Pb Free < 1000ppm						
4	:	[G] : Pour Epoxy [C] : High Current [L] : Low High enhance						
5	:	[L] Value : Inductance Ex.:121=120uH, 122=1200uH						
6	:	[L] Value Tolerance: J=5%, K=10%, M=20%, N=30%						

Basic Information :

Made in	China
Pin Foot	SMD
Shielding	No
J-STD-020	MSL Level 1
RoHS	Compliant
REACH	Compliant
Halogen	Free

Operating & Storage Condition :

- * Operating Temp -40 ~ +125 deg.C (Including self - temperature rise)
- * Storage Temp 1. -10 ~ +45 deg.C , 50 ~ 60% RH (Product with taping)
2. -40 ~ +125 deg.C (On board)
- * Storage Life Time 12 Month (Less than 40 deg.C and 60% RH)

Attention & Caution :

- * Keep out of Splashing water or salt water
- * Avoid Toxic Gas (Hydrogen sulfide, Sulfurous acid, Chlorine, Ammonia)
- Vibrations or shocks which exceed the specified condition
- Dew condense
- Layout near the edge of PCB
- Over flexure after SMT mounting & PCBA



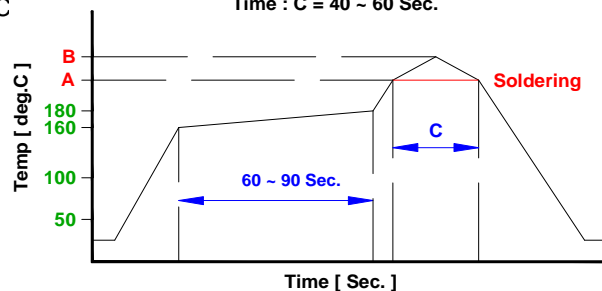
- * Pin foot or SMD pad solderability: Pb free type is best within 6 months after delivery
- * Humidity sensitive , IPC/JEDEC J-STD-020 MSL if over Level 1, recommend bake 30mins@150 degree before PCBA
- * Caution for human life relative applications : PLS contact & consult with GOTREND team in design stage.

Test Condition :

- * Equipment HP4284A , HP42841A - L , Q , DCR , IDC
HP8753D Network analyzer - SRF
- * Standard Atmosphere Conditions:
Ambient Temperature 20 ± 15 deg.C
Humidity RH 65 ± 20%
- * If there may be any doubt on the test result ,
Measurement shall be made within the following limits:
Ambient Temperature 25 ± 5 deg.C
Humidity RH 75 ± 10%

Recommend IR Reflow Curve : GTX-IR-FILE001

Lead Free Solder : A = 217 deg.C , B = 245+/-5 deg.C
Time : C = 40 ~ 60 Sec.

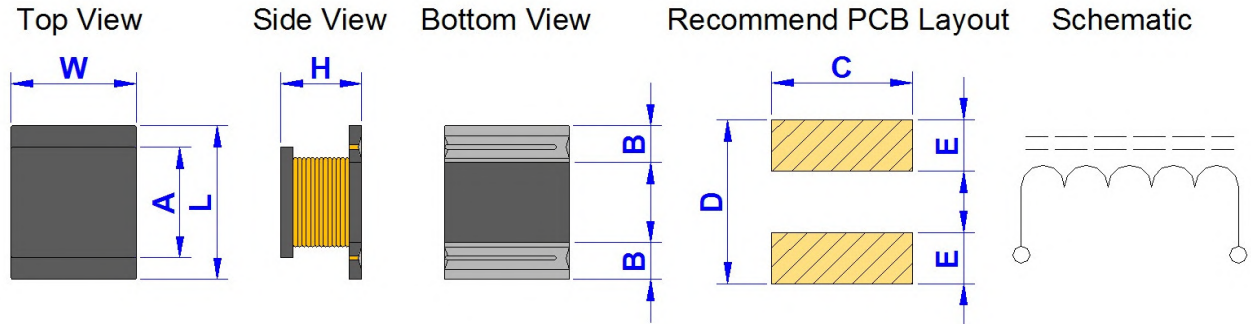


Notice : Iron Soldering , Solder < 30 Watt ,
Direct touch the terminal x 3 Sec. Max. @ 350 deg.C

Product Series : GTLQH	Brand : GOTREND
File Version : GTLQH-SERIES-V4R8	Editor : Teddy Sun
Established Date : 2009.07.09	Description : Ferrite Core Wound Inductor
Latest Edit Date : 2020.11.06	Product Type : <input checked="" type="checkbox"/> Standard <input type="checkbox"/> Customize

GTLQH20PL-SERIES

Dimension [mm] :



Size	L(+/-0.2)	W(+/-0.2)	H(Max.)	A(+/-0.2)	B(Ref.)	C(Ref.)	D(Ref.)	E(Ref.)
20L	2.0	1.6	1.05	2.0	0.4~0.8	2.0	2.7	1.0

Electrical Characteristics :

Part No.	L (uH)	Test Freq. (MHz / 0.2V)	DCR Ohm (Max.)	Isat (Amp) (Typ.)	Irms (Amp) (Typ.)
GTLQH20PL-1R0 <input type="checkbox"/>	1.00	1.00	0.180	1.70	1.42
GTLQH20PL-1R5 <input type="checkbox"/>	1.50	1.00	0.250	1.30	1.34
GTLQH20PL-2R2 <input type="checkbox"/>	2.20	1.00	0.340	1.10	1.04
GTLQH20PL-3R3 <input type="checkbox"/>	3.30	1.00	0.435	0.98	0.90
GTLQH20PL-4R7 <input type="checkbox"/>	4.70	1.00	0.590	0.82	0.72
GTLQH20PL-5R6 <input type="checkbox"/>	5.60	1.00	0.740	0.74	0.68
GTLQH20PL-6R8 <input type="checkbox"/>	6.80	1.00	0.840	0.67	0.62
GTLQH20PL-100 <input type="checkbox"/>	10.00	1.00	1.200	0.58	0.58
GTLQH20PL-150 <input type="checkbox"/>	15.00	1.00	1.800	0.41	0.43
GTLQH20PL-220 <input type="checkbox"/>	22.00	1.00	2.680	0.38	0.40

* L value Tolerance : M = 20% , N = 30%

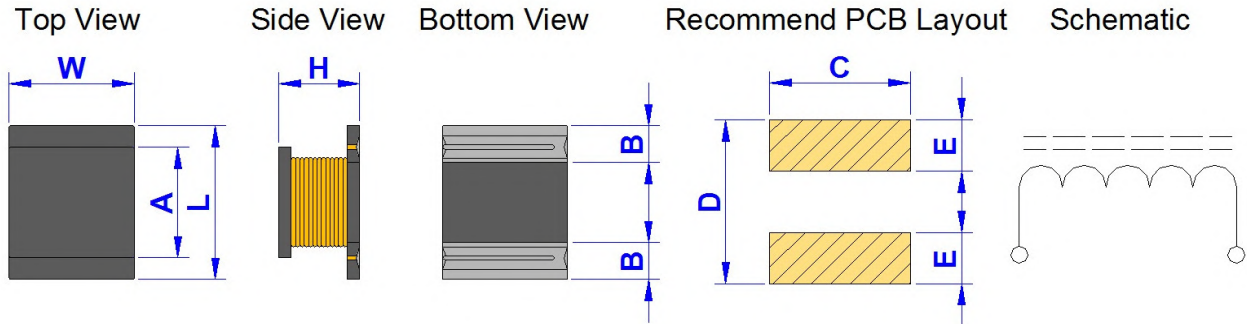
* Isat : Inductance drop 10% from its value without current.

* Irms : for a 40 deg.C rise above 25 deg.C ambient.

Product Series : GTLQH	Brand : GOTREND
File Version : GTLQH-SERIES-V4R8	Editor : Teddy Sun
Established Date : 2009.07.09	Description : Ferrite Core Wound Inductor
Latest Edit Date : 2020.11.06	Product Type : <input checked="" type="checkbox"/> Standard <input type="checkbox"/> Customize

GTLQH20P-SERIES

Dimension [mm] :



Size	L(+/-0.3)	W(+/-0.3)	H(+/-0.4)	A(+/-0.3)	B(Ref.)	C(Ref.)	D(Ref.)	E(Ref.)
20	2.1	1.5	1.4	2.0	0.4~0.8	1.8	2.5	0.7

Electrical Characteristics :

Part No.	L(uH) Tolerance 10%	Test Freq. KHz	DCR Ohm (Max.)	IDC (Amp) (Max.)
GTLQH20P-R10M	0.10	100.00	0.018	4.24
GTLQH20P-R12M	0.12	100.00	0.022	3.97
GTLQH20P-R15M	0.15	100.00	0.023	3.87
GTLQH20P-R18M	0.18	100.00	0.029	3.10
GTLQH20P-R22M	0.22	100.00	0.034	3.07
GTLQH20P-R27M	0.27	100.00	0.042	2.46
GTLQH20P-R33M	0.33	100.00	0.048	2.07
GTLQH20P-R39M	0.39	100.00	0.059	1.61
GTLQH20P-R47M	0.47	100.00	0.068	1.53
GTLQH20P-R56M	0.56	100.00	0.091	1.48
GTLQH20P-R68M	0.68	100.00	0.101	1.37
GTLQH20P-R82M	0.82	100.00	0.116	1.28
GTLQH20P-1R0M	1.00	100.00	0.160	0.75
GTLQH20P-1R5M	1.50	100.00	0.247	0.70
GTLQH20P-2R0M	2.00	100.00	0.300	0.65
GTLQH20P-2R2M	2.20	100.00	0.330	0.61
GTLQH20P-2R7M	2.70	100.00	0.360	0.55
GTLQH20P-3R3M	3.30	100.00	0.500	0.50
GTLQH20P-3R9M	3.90	100.00	0.700	0.49
GTLQH20P-4R7M	4.70	100.00	0.740	0.47
GTLQH20P-6R8M	6.80	100.00	0.970	0.45
GTLQH20P-8R2M	8.20	100.00	1.490	0.40
GTLQH20P-100M	10.00	1.00	1.620	0.37
GTLQH20P-120M	12.00	1.00	1.890	0.34

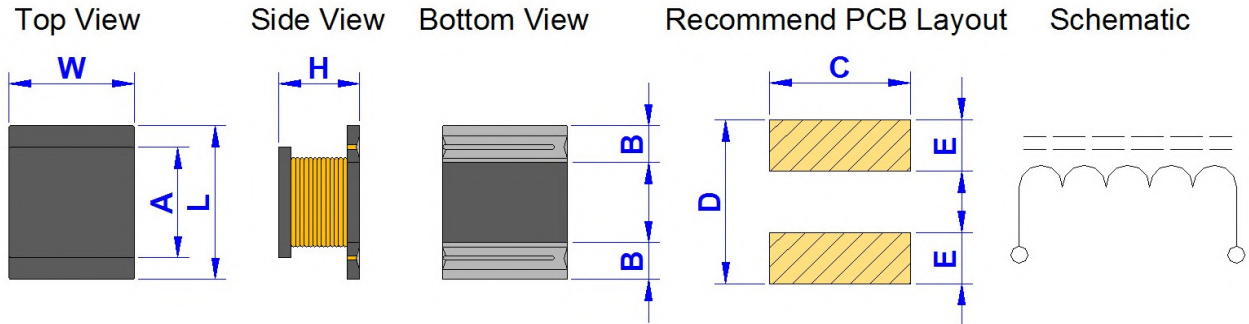
* L value Tolerance : M = 20%

* IDC : Inductance drop 10% from its value without current. and for a 40 deg.C rise above 25 deg.C ambient.

Product Series : GTLQH	Brand : GOTREND
File Version : GTLQH-SERIES-V4R8	Editor : Teddy Sun
Established Date : 2009.07.09	Description : Ferrite Core Wound Inductor
Latest Edit Date : 2020.11.06	Product Type : <input checked="" type="checkbox"/> Standard <input type="checkbox"/> Customize

GTLQH20P-SERIES

Dimension [mm] :



Size	L(+/-0.3)	W(+/-0.3)	H(+/-0.4)	A(+/-0.3)	B(Ref.)	C(Ref.)	D(Ref.)	E(Ref.)
20	2.1	1.5	1.4	2.0	0.4~0.8	1.8	2.5	0.7

Electrical Characteristics :

Part No.	L(uH) Tolerance 10%	Test Freq. KHz	DCR Ohm (Max.)	IDC (Amp) (Max.)
GTLQH20P-150 <input type="checkbox"/>	15.00	1.00	2.170	0.32
GTLQH20P-220 <input type="checkbox"/>	22.00	1.00	3.420	0.25
GTLQH20P-270 <input type="checkbox"/>	27.00	1.00	4.280	0.21
GTLQH20P-330 <input type="checkbox"/>	33.00	1.00	5.470	0.20
GTLQH20P-390 <input type="checkbox"/>	39.00	1.00	6.290	0.17
GTLQH20P-470 <input type="checkbox"/>	47.00	1.00	9.870	0.13
GTLQH20P-680 <input type="checkbox"/>	68.00	1.00	12.170	0.11
GTLQH20P-820 <input type="checkbox"/>	82.00	1.00	14.500	0.09
GTLQH20P-101 <input type="checkbox"/>	100.00	1.00	19.620	0.08
GTLQH20P-121 <input type="checkbox"/>	120.00	1.00	22.030	0.02

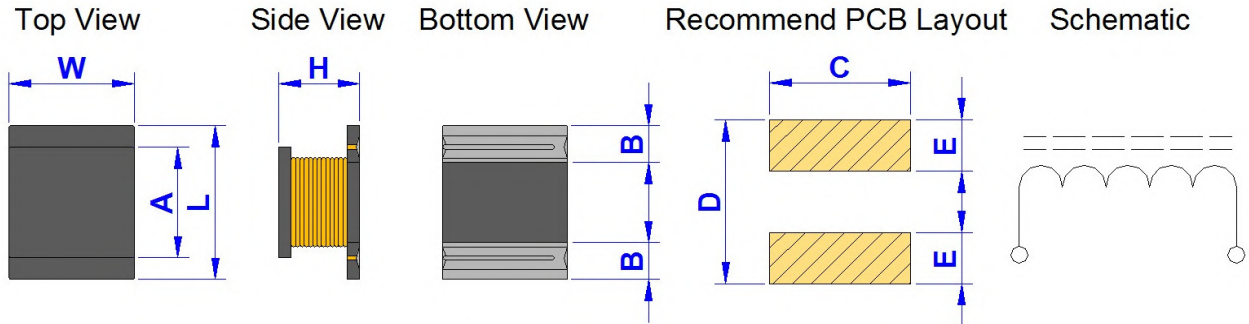
* L value Tolerance : K = 10% , M = 20%

* IDC : Inductance drop 10% from its value without current. and for a 40 deg.C rise above 25 deg.C ambient.

Product Series : GTLQH	Brand : GOTREND
File Version : GTLQH-SERIES-V4R8	Editor : Teddy Sun
Established Date : 2009.07.09	Description : Ferrite Core Wound Inductor
Latest Edit Date : 2020.11.06	Product Type : <input checked="" type="checkbox"/> Standard <input type="checkbox"/> Customize

GTLQH25PL-SERIES

Dimension [mm] :



Size	L(+/-0.2)	W(+/-0.2)	H(Max.)	A(+/-0.2)	B(Ref.)	C(Ref.)	D(Ref.)	E(Ref.)
25L	2.5	2.1	1.05	2.5	0.6~1.0	2.5	3.2	1.2

Electrical Characteristics :

Part No.	L (uH)	Test Freq. (MHz / 0.2V)	DCR Ohm (Max.)	Isat (Amp) (Typ.)	Irms (Amp) (Typ.)
GTLQH25PL-1R0 <input type="checkbox"/>	1.00	1.00	0.110	2.00	1.90
GTLQH25PL-1R5 <input type="checkbox"/>	1.50	1.00	0.145	1.80	1.64
GTLQH25PL-2R2 <input type="checkbox"/>	2.20	1.00	0.230	1.40	1.60
GTLQH25PL-3R3 <input type="checkbox"/>	3.30	1.00	0.295	1.20	1.10
GTLQH25PL-4R7 <input type="checkbox"/>	4.70	1.00	0.390	1.00	1.02
GTLQH25PL-5R6 <input type="checkbox"/>	5.60	1.00	0.480	0.96	0.88
GTLQH25PL-6R8 <input type="checkbox"/>	6.80	1.00	0.605	0.84	0.82
GTLQH25PL-100 <input type="checkbox"/>	10.00	1.00	0.790	0.70	0.74
GTLQH25PL-220 <input type="checkbox"/>	22.00	1.00	1.810	0.49	0.46

* L value Tolerance : M = 20% , N = 30%

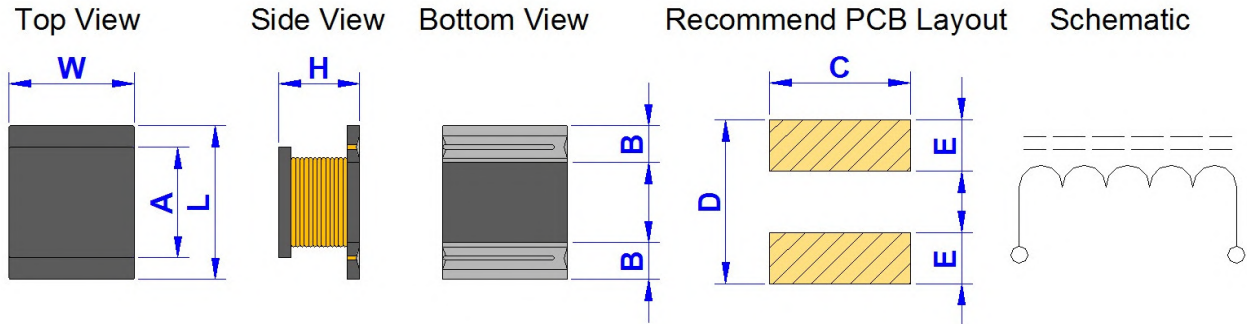
* Isat : Inductance drop 10% from its value without current.

* Irms : for a 40 deg.C rise above 25 deg.C ambient.

Product Series : GTLQH	Brand : GOTREND
File Version : GTLQH-SERIES-V4R8	Editor : Teddy Sun
Established Date : 2009.07.09	Description : Ferrite Core Wound Inductor
Latest Edit Date : 2020.11.06	Product Type : <input checked="" type="checkbox"/> Standard <input type="checkbox"/> Customize

GTLQH25P-SERIES

Dimension [mm] :



Size	L(+/-0.3)	W(+/-0.3)	H(+/-0.4)	A(+/-0.3)	B(Ref.)	C(Ref.)	D(Ref.)	E(Ref.)
25	2.5	2.0	1.8	2.0	0.4~0.8	2.8	3.5	0.7

Electrical Characteristics :

Part No.	L(μ H) @1KHz/0.25V	L+/-% (best)	DCR (Ohm) (Max.)	IDC (mA) (Max.)	MARKING
GTLQH25P-R22M	0.22	20	0.032	350	G
GTLQH25P-R39M	0.39	20	0.042	330	H
GTLQH25P-1R0M	1.00	20	0.078	300	P
GTLQH25P-1R2M	1.20	20	0.090	290	Q
GTLQH25P-1R5M	1.50	20	0.100	280	S
GTLQH25P-1R8M	1.80	20	0.110	270	U
GTLQH25P-2R2M	2.20	20	0.120	250	V
GTLQH25P-2R7M	2.70	20	0.200	240	W
GTLQH25P-3R3M	3.30	20	0.240	230	X
GTLQH25P-3R9M	3.90	20	0.280	220	Z
GTLQH25P-4R7M	4.70	20	0.300	210	A1
GTLQH25P-5R6M	5.60	20	0.340	205	A2
GTLQH25P-6R8M	6.80	20	0.440	200	A3
GTLQH25P-8R2M	8.20	20	0.590	195	A5
GTLQH25P-100M,K	10.00	10 or 20	0.680	190	A6
GTLQH25P-120M,K	12.00	10 or 20	0.770	185	A8
GTLQH25P-150M,K	15.00	10 or 20	0.870	180	A9
GTLQH25P-180M,K	18.00	10 or 20	1.200	175	B1
GTLQH25P-220M,K	22.00	10 or 20	1.340	170	B2
GTLQH25P-270M,K	27.00	10 or 20	1.860	165	B3
GTLQH25P-330M,K	33.00	10 or 20	2.100	160	B5
GTLQH25P-390M,K	39.00	10 or 20	2.350	155	B6
GTLQH25P-470M,K	47.00	10 or 20	3.300	150	B7
GTLQH25P-560M,K	56.00	10 or 20	3.700	145	B8
GTLQH25P-680M,K	68.00	10 or 20	6.000	135	B9
GTLQH25P-820M,K	82.00	10 or 20	6.900	125	C1
GTLQH25P-101M,K	100.00	10 or 20	7.750	110	C2
GTLQH25P-221M,K	220.00	10 or 20	13.420	90	C3

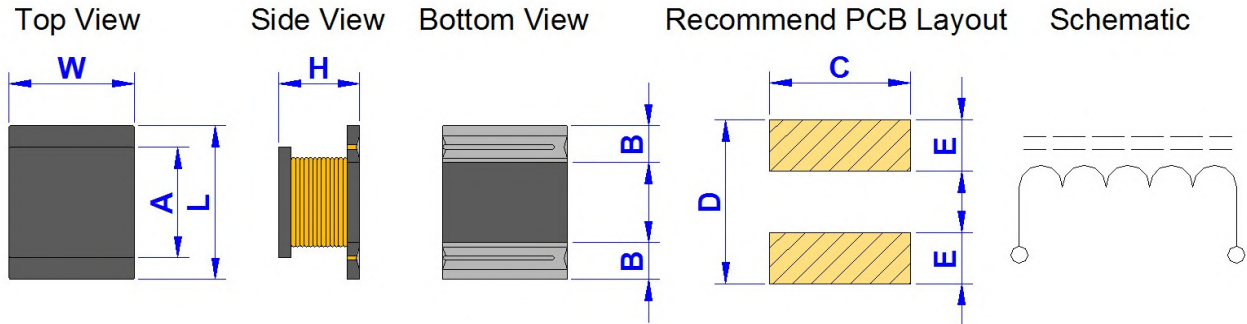
* L value Tolerance : K = 10% , M = 20%

* IDC : Inductance drop 10% from its value without current. and for a 40 deg.C rise above 25 deg.C ambient.

Product Series : GTLQH	Brand : GOTREND
File Version : GTLQH-SERIES-V4R8	Editor : Teddy Sun
Established Date : 2009.07.09	Description : Ferrite Core Wound Inductor
Latest Edit Date : 2020.11.06	Product Type : <input checked="" type="checkbox"/> Standard <input type="checkbox"/> Customize

GTLQH31P-SERIES

Dimension [mm] :



Size	L(+/-0.3)	W(+/-0.3)	H(+/-0.4)	A(+/-0.3)	B(Ref.)	C(Ref.)	D(Ref.)	E(Ref.)
31	3.2	1.6	1.8	2.3	0.4~0.9	3.5	4.5	1.6

Electrical Characteristics :

Part No.	L(μ H) @1.0MHz	L+/-% (best)	Q (Ref.) Test @KHz Freq.	DCR (Ohm) (Max.)	SRF (MHz) (Min.)	IDC (mA) (Max.)
GTLQH31P-R10M	0.10	20	10@2520	0.11	200.0	185
GTLQH31P-R12M	0.12	20	10@2520	0.13	200.0	184
GTLQH31P-R22M	0.22	20	10@2520	0.14	200.0	183
GTLQH31P-R29M	0.29	20	10@2520	0.15	200.0	182
GTLQH31P-R47M	0.47	20	10@2520	0.17	200.0	178
GTLQH31P-R50M	0.50	20	10@2520	0.18	160.0	172
GTLQH31P-1R0M	1.00	20	10@1000	0.49	100.0	175
GTLQH31P-1R2M	1.20	20	10@1000	0.50	100.0	165
GTLQH31P-1R5M	1.50	20	10@1000	0.52	75.0	155
GTLQH31P-1R8M	1.80	20	10@1000	0.53	60.0	150
GTLQH31P-2R2M	2.20	20	10@1000	0.54	50.0	140
GTLQH31P-2R7K	2.70	10	10@1000	0.55	43.0	135
GTLQH31P-3R3K	3.30	10	10@1000	0.61	38.0	130
GTLQH31P-3R9K	3.90	10	10@1000	1.50	35.0	125
GTLQH31P-4R7K	4.70	10	20@1000	1.70	31.0	120
GTLQH31P-5R6K	5.60	10	20@1000	1.80	28.0	115
GTLQH31P-6R8K	6.80	10	20@1000	2.00	25.0	110
GTLQH31P-8R2K	8.20	10	20@1000	2.20	23.0	105
GTLQH31P-100K	10.00	10	25@1000	2.50	20.0	100
GTLQH31P-110K	11.00	10	25@1000	2.60	20.0	97
GTLQH31P-120K	12.00	10	25@1000	2.70	18.0	95
GTLQH31P-150K	15.00	10	25@1000	2.90	16.0	90
GTLQH31P-180K	18.00	10	25@1000	3.00	15.0	85
GTLQH31P-220K	22.00	10	25@1000	3.10	14.0	85
GTLQH31P-270K	27.00	10	25@1000	3.40	13.0	85
GTLQH31P-330K	33.00	10	25@1000	3.80	12.0	80

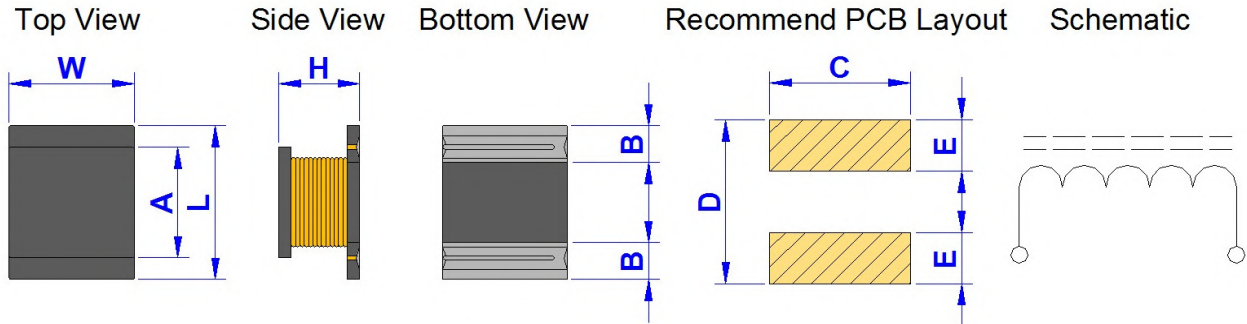
* L value Tolerance : K = 10% , M = 20%

* IDC : Inductance drop 10% from its value without current. and for a 40 deg.C rise above 25 deg.C ambient.

Product Series : GTLQH	Brand : GOTREND
File Version : GTLQH-SERIES-V4R8	Editor : Teddy Sun
Established Date : 2009.07.09	Description : Ferrite Core Wound Inductor
Latest Edit Date : 2020.11.06	Product Type : <input checked="" type="checkbox"/> Standard <input type="checkbox"/> Customize

GTLQH31P-SERIES

Dimension [mm] :



Size	L(+/-0.3)	W(+/-0.3)	H(+/-0.4)	A(+/-0.3)	B(Ref.)	C(Ref.)	D(Ref.)	E(Ref.)
31	3.2	1.6	1.8	2.3	0.4~0.9	3.5	4.5	1.6

Electrical Characteristics :

Part No.	L(μ H) @1.0MHz	L+/-% (best)	Q (Ref.) Test @KHz Freq.	DCR (Ohm) (Max.)	SRF (MHz) (Min.)	IDC (mA) (Max.)
GTLQH31P-390K	39.00	10	25@1000	4.50	11.0	85
GTLQH31P-470K	47.00	10	25@1000	6.30	11.0	85
GTLQH31P-560J	56.00	5	25@1000	7.10	10.0	50
GTLQH31P-680J	68.00	5	25@1000	7.90	9.0	50
GTLQH31P-820J	82.00	5	25@1000	8.70	8.5	45
GTLQH31P-101J	100.00	5	30@796	11.57	8.0	45
GTLQH31P-111J	110.00	5	30@796	13.00	8.0	25
GTLQH31P-121J	120.00	5	30@796	14.20	7.5	20
GTLQH31P-151J	150.00	5	30@796	15.03	7.0	15
GTLQH31P-181J	180.00	5	30@796	16.60	6.0	13
GTLQH31P-221J	220.00	5	30@796	26.46	5.5	12
GTLQH31P-271J	270.00	5	30@796	29.70	5.0	11
GTLQH31P-331J	330.00	5	30@796	43.06	5.0	10
GTLQH31P-391J	390.00	5	30@796	22.00	5.0	9
GTLQH31P-471J	470@1KHZ	5	30@796	53.50	5.0	8
GTLQH31P-821J	820@1KHZ	5	30@796	66.10	5.0	5

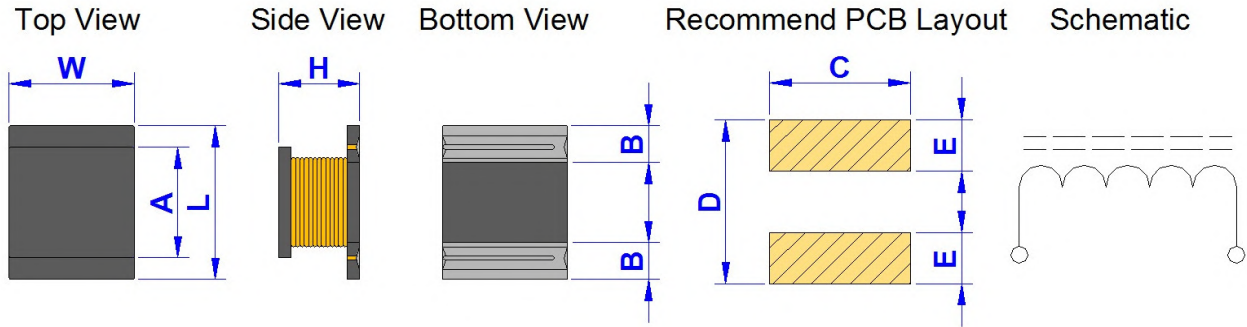
* L value Tolerance : J = 5 , K = 10%

* IDC : Inductance drop 10% from its value without current. and for a 40 deg.C rise above 25 deg.C ambient.

Product Series : GTLQH	Brand : GOTREND
File Version : GTLQH-SERIES-V4R8	Editor : Teddy Sun
Established Date : 2009.07.09	Description : Ferrite Core Wound Inductor
Latest Edit Date : 2020.11.06	Product Type : <input checked="" type="checkbox"/> Standard <input type="checkbox"/> Customize

GTLQH32P-SERIES

Dimension [mm] :



Size	L(+/-0.3)	W(+/-0.3)	H(+/-0.4)	A(+/-0.3)	B(Ref.)	C(Ref.)	D(Ref.)	E(Ref.)
32	3.2	2.5	2.0	2.5	0.7~1.2	3.5	4.5	1.6

Electrical Characteristics :

Part No.	L(μ H) @1.0MHz	L+/-% (best)	Q (Ref.) Test @KHz Freq.	DCR (Ohm) (Max.)	SRF (MHz) (Min.)	IDC (mA) (Max.)
GTLQH32P-R10M	0.10	20	10@2520	0.25	200.0	700
GTLQH32P-R18M	0.18	20	10@2520	0.25	200.0	650
GTLQH32P-R27M	0.27	20	10@2520	0.25	200.0	600
GTLQH32P-R33M	0.33	20	10@2520	0.25	200.0	550
GTLQH32P-R39M	0.39	20	10@2520	0.25	200.0	530
GTLQH32P-R56M	0.56	20	10@2520	0.25	160.0	530
GTLQH32P-R68M	0.68	20	10@2520	0.25	160.0	470
GTLQH32P-R82M	0.82	20	10@2520	0.25	120.0	450
GTLQH32P-1R0M	1.00	20	10@1000	0.50	100.0	445
GTLQH32P-1R2M	1.20	20	10@1000	0.60	100.0	425
GTLQH32P-1R5M	1.50	20	10@1000	0.60	75.0	400
GTLQH32P-1R8M	1.80	20	10@1000	0.70	60.0	390
GTLQH32P-2R2M	2.20	20	10@1000	0.80	50.0	370
GTLQH32P-2R7K	2.70	10	10@1000	0.90	43.0	320
GTLQH32P-3R3K	3.30	10	10@1000	1.00	38.0	300
GTLQH32P-3R9K	3.90	10	10@1000	1.10	35.0	290
GTLQH32P-4R7K	4.70	10	20@1000	1.20	31.0	270
GTLQH32P-5R6K	5.60	10	20@1000	1.30	28.0	250
GTLQH32P-6R8K	6.80	10	20@1000	1.50	25.0	240
GTLQH32P-8R2K	8.20	10	20@1000	1.60	23.0	225
GTLQH32P-100K	10.00	10	25@1000	1.80	20.0	190
GTLQH32P-120K	12.00	10	25@1000	2.00	18.0	180
GTLQH32P-150K	15.00	10	25@1000	2.20	16.0	170
GTLQH32P-180K	18.00	10	25@1000	2.50	15.0	160
GTLQH32P-220K	22.00	10	25@1000	2.80	14.0	150
GTLQH32P-270K	27.00	10	25@1000	3.10	13.0	125

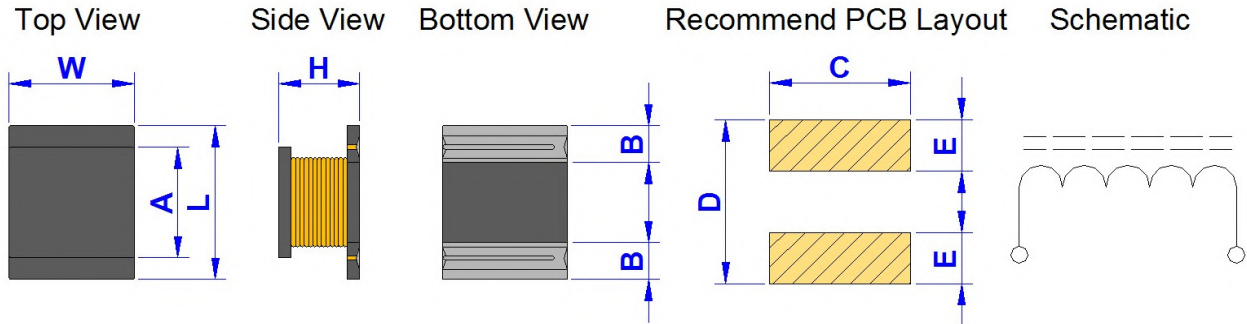
* L value Tolerance : K = 10% , M = 20%

* IDC : Inductance drop 10% from its value without current. and for a 40 deg.C rise above 25 deg.C ambient.

Product Series : GTLQH	Brand : GOTREND
File Version : GTLQH-SERIES-V4R8	Editor : Teddy Sun
Established Date : 2009.07.09	Description : Ferrite Core Wound Inductor
Latest Edit Date : 2020.11.06	Product Type : <input checked="" type="checkbox"/> Standard <input type="checkbox"/> Customize

GTLQH32P-SERIES

Dimension [mm] :



Size	L(+/-0.3)	W(+/-0.3)	H(+/-0.4)	A(+/-0.3)	B(Ref.)	C(Ref.)	D(Ref.)	E(Ref.)
32	3.2	2.5	2.0	2.5	0.7~1.2	3.5	4.5	1.6

Electrical Characteristics :

Part No.	L(μ H) @1.0MHz	L+/-% (best)	Q (Ref.) Test @KHz Freq.	DCR (Ohm) (Max.)	SRF (MHz) (Min.)	IDC (mA) (Max.)
GTLQH32P-330K	33.00	10	25@1000	3.50	12.0	115
GTLQH32P-390K	39.00	10	25@1000	3.90	11.0	110
GTLQH32P-470K	47.00	10	25@1000	4.30	11.0	100
GTLQH32P-560J	56.00	5	25@1000	4.90	10.0	85
GTLQH32P-680J	68.00	5	25@1000	5.50	9.0	80
GTLQH32P-820J	82.00	5	25@1000	6.20	8.5	80
GTLQH32P-101J	100.00	5	30@796	7.00	8.0	80
GTLQH32P-121J	120.00	5	30@796	8.00	7.5	75
GTLQH32P-151J	150.00	5	30@796	9.30	7.0	70
GTLQH32P-181J	180.00	5	30@796	10.20	6.0	65
GTLQH32P-221J	220.00	5	30@796	11.80	5.5	65
GTLQH32P-271J	270.00	5	30@796	12.50	5.0	65
GTLQH32P-331J	330.00	5	30@796	13.00	5.0	65
GTLQH32P-391J	390.00	5	30@796	22.00	5.0	50
GTLQH32P-471J	470@1KHZ	5	30@796	25.00	5.0	45
GTLQH32P-501J	500@1KHZ	5	30@796	27.00	5.0	42
GTLQH32P-561J	560@1KHZ	5	30@796	28.00	5.0	40
GTLQH32P-681J	680@1KHZ	5	30@796	30.00	5.0	35
GTLQH32P-102J	1000@1KHZ	5	30@796	39.20	5.0	30

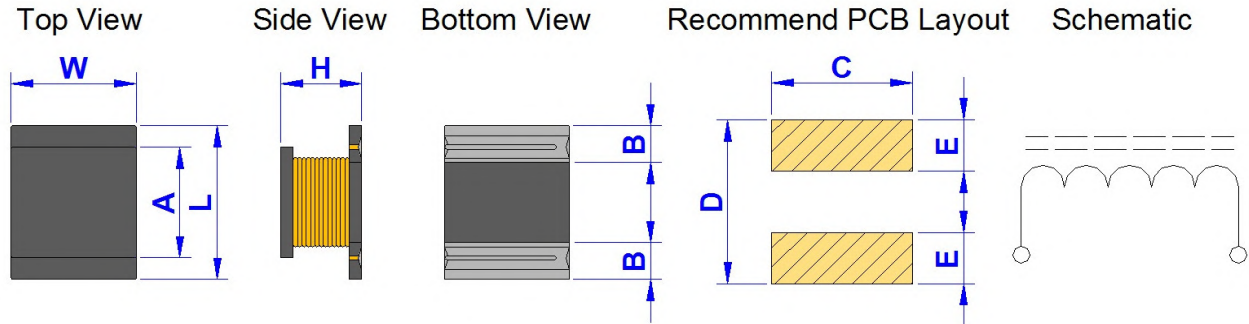
* L value Tolerance : J = 5% , K = 10%

* IDC : Inductance drop 10% from its value without current. and for a 40 deg.C rise above 25 deg.C ambient.

Product Series : GTLQH	Brand : GOTREND
File Version : GTLQH-SERIES-V4R8	Editor : Teddy Sun
Established Date : 2009.07.09	Description : Ferrite Core Wound Inductor
Latest Edit Date : 2020.11.06	Product Type : <input checked="" type="checkbox"/> Standard <input type="checkbox"/> Customize

GTLQH32PC-SERIES

Dimension [mm] :



Size	L(+/-0.3)	W(+/-0.3)	H(+/-0.4)	A(+/-0.3)	B(Ref.)	C(Ref.)	D(Ref.)	E(Ref.)
32	3.2	2.5	2.0	2.5	0.7~1.2	3.5	4.5	1.6

Electrical Characteristics :

Part No.	L(uH)	L.+/% (best)	L-Test @ Freq.	DCR (Ohm) (Max.)	SRF (MHz) (Min. / Typ.)	IDC (mA) (Max.)
GTLQH32PC-R47M-T	0.47	20	1.0MHz	0.038	100 / 200	2,290
GTLQH32PC-1R0M-T	1.0	20	1.0MHz	0.078	100 / 200	1,000
GTLQH32PC-2R2M-T	2.2	20	1.0MHz	0.126	64 / 120	790
GTLQH32PC-4R7M-T	4.7	20	1.0MHz	0.195	43 / 77	650
GTLQH32PC-100K -T	10.0	10	1.0MHz	0.390	26 / 50	450
GTLQH32PC-1R0M	1.0	20	1.0MHz	0.117	100 / 150	800
GTLQH32PC-1R8M	1.8	20	1.0MHz	0.140	64 / 100	780
GTLQH32PC-2R2M	2.2	20	1.0MHz	0.169	64 / 100	600
GTLQH32PC-3R3M	3.3	20	1.0MHz	0.180	54 / 100	500
GTLQH32PC-4R7M	4.7	20	1.0MHz	0.260	43 / 66	450
GTLQH32PC-6R8M	6.8	20	1.0MHz	0.350	30 / 45	380
GTLQH32PC-100K	10.0	10	1.0MHz	0.572	26 / 40	300
GTLQH32PC-220K	22.0	10	1.0MHz	0.923	19 / 27	250
GTLQH32PC-330K	33.0	10	1.0MHz	1.350	17 / 22	220
GTLQH32PC-470K	47.0	10	1.0MHz	1.690	15 / 19	170
GTLQH32PC-101K	100.0	10	1.0MHz	4.550	10 / 13	100
GTLQH32PC-221K	220.0	10	1.0MHz	10.920	6.8 / 8.5	70
GTLQH32PC-331K	330.0	10	1.0MHz	13.000	5.6 / 7.0	60
GTLQH32PC-391K	390.0	10	1.0MHz	22.100	5 / 6.6	60
GTLQH32PC-471K	470.0	10	1.0KHz	24.700	5 / 6.2	60
GTLQH32PC-561K	560.0	10	1.0KHz	28.600	5 / 5.7	60

* Attention: This 3225 size Part No with "T" means note Low DCR

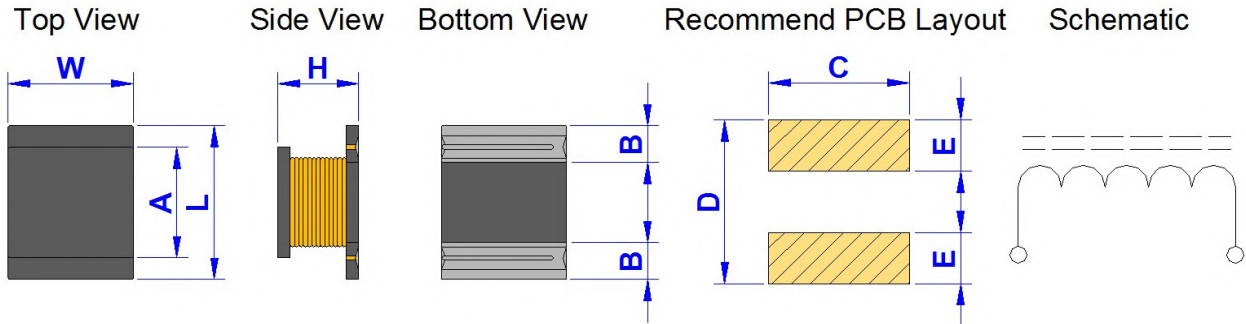
* L value Tolerance : K = 10% , M = 20%

* IDC : Inductance drop 10% from its value without current. and for a 40 deg.C rise above 25 deg.C ambient.

Product Series : GTLQH	Brand : GOTREND
File Version : GTLQH-SERIES-V4R8	Editor : Teddy Sun
Established Date : 2009.07.09	Description : Ferrite Core Wound Inductor
Latest Edit Date : 2020.11.06	Product Type : <input checked="" type="checkbox"/> Standard <input type="checkbox"/> Customize

GTLQH32PL-SERIES

Dimension [mm] :



Size	L(+/-0.3)	W(+/-0.3)	H(+/-0.2)	A(+/-0.3)	B(Ref.)	C(Ref.)	D(Ref.)	E(Ref.)
32L	3.2	2.5	1.55	2.5	0.7~1.2	3.5	4.5	1.6

Electrical Characteristics :

Part No.	L(uH) @1.0KHZ,0.25V	L+/-% (best)	DCR (Ohm) (Max.)	IDC (A) (Max.)
GTLQH32PL-1R0 <input type="checkbox"/>	1.00 @100KHZ	20	0.060	1.480
GTLQH32PL-1R4 <input type="checkbox"/>	1.40 @100KHZ	20	0.079	1.380
GTLQH32PL-1R8 <input type="checkbox"/>	1.80 @100KHZ	20	0.101	1.310
GTLQH32PL-2R2 <input type="checkbox"/>	2.20 @100KHZ	20	0.125	1.250
GTLQH32PL-3R3 <input type="checkbox"/>	3.30 @100KHZ	20	0.160	1.080
GTLQH32PL-4R7 <input type="checkbox"/>	4.70 @100KHZ	20	0.236	0.980
GTLQH32PL-5R6 <input type="checkbox"/>	5.60 @100KHZ	20	0.287	0.900
GTLQH32PL-6R8 <input type="checkbox"/>	6.80 @100KHZ	20	0.371	0.790
GTLQH32PL-8R2 <input type="checkbox"/>	8.20 @100KHZ	20	0.471	0.720
GTLQH32PL-100 <input type="checkbox"/>	10.00	10	0.576	0.660
GTLQH32PL-120 <input type="checkbox"/>	12.00	10	0.684	0.590
GTLQH32PL-150 <input type="checkbox"/>	15.00	10	0.888	0.540
GTLQH32PL-180 <input type="checkbox"/>	18.00	10	1.087	0.480
GTLQH32PL-220 <input type="checkbox"/>	22.00	10	1.343	0.430
GTLQH32PL-330 <input type="checkbox"/>	33.00	10	2.245	0.350
GTLQH32PL-470 <input type="checkbox"/>	47.00	10	3.064	0.290
GTLQH32PL-560 <input type="checkbox"/>	56.00	10	4.120	0.270
GTLQH32PL-680 <input type="checkbox"/>	68.00	10	5.289	0.240
GTLQH32PL-820 <input type="checkbox"/>	82.00	10	7.223	0.200
GTLQH32PL-101 <input type="checkbox"/>	100.00	10	8.209	0.190
GTLQH32PL-121 <input type="checkbox"/>	120.00	10	10.888	0.170
GTLQH32PL-151 <input type="checkbox"/>	150.00	10	12.568	0.160
GTLQH32PL-181 <input type="checkbox"/>	180.00	10	19.645	0.140
GTLQH32PL-221 <input type="checkbox"/>	220.00	10	22.307	0.130
GTLQH32PL-271 <input type="checkbox"/>	270.00	10	24.613	0.120
GTLQH32PL-331 <input type="checkbox"/>	330.00	10	28.213	0.110

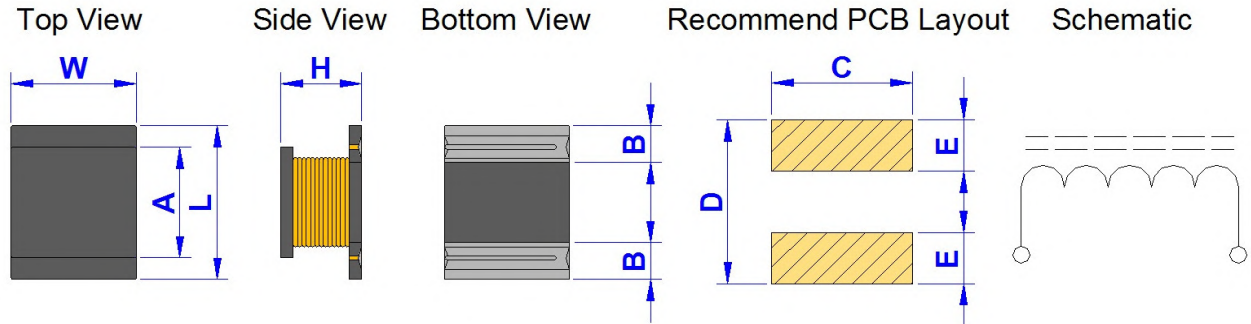
* L value Tolerance : J = 5% , K = 10% , M = 20%

* IDC : Inductance drop 10% from its value without current. and for a 40 deg.C rise above 25 deg.C ambient.

Product Series : GTLQH	Brand : GOTREND
File Version : GTLQH-SERIES-V4R8	Editor : Teddy Sun
Established Date : 2009.07.09	Description : Ferrite Core Wound Inductor
Latest Edit Date : 2020.11.06	Product Type : <input checked="" type="checkbox"/> Standard <input type="checkbox"/> Customize

GTLQH32PL-SERIES

Dimension [mm] :



Size	L(+/-0.3)	W(+/-0.3)	H(+/-0.4)	A(+/-0.3)	B(Ref.)	C(Ref.)	D(Ref.)	E(Ref.)
32L	3.2	2.5	1.55+/-0.2	2.5	0.7~1.2	3.5	4.5	1.6

Electrical Characteristics :

Part No.	L(uH) @1.0KHz,0.25V	L+/-% (best)	DCR (Ohm) (Max.)	IDC (A)(Max.) $\Delta L/L(0A)=10\%$
GTLQH32PL-391 <input type="checkbox"/>	390.00	10	32.187	0.100
GTLQH32PL-471 <input type="checkbox"/>	470.00	10	48.747	0.090
GTLQH32PL-561 <input type="checkbox"/>	560.00	5	53.893	0.080
GTLQH32PL-681 <input type="checkbox"/>	680.00	5	63.013	0.070

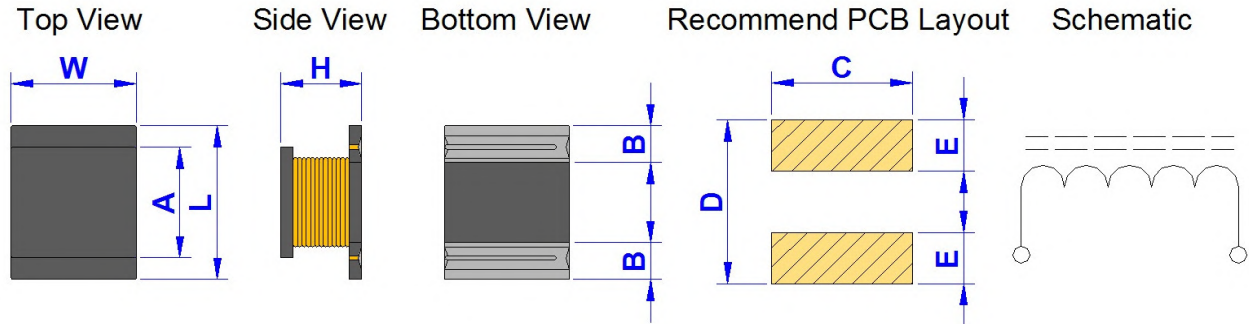
* L value Tolerance : J = 5% , K = 10% , M = 20%

* IDC : Inductance drop 10% from its value without current. and for a 40 deg.C rise above 25 deg.C ambient.

Product Series : GTLQH	Brand : GOTREND
File Version : GTLQH-SERIES-V4R8	Editor : Teddy Sun
Established Date : 2009.07.09	Description : Ferrite Core Wound Inductor
Latest Edit Date : 2020.11.06	Product Type : <input checked="" type="checkbox"/> Standard <input type="checkbox"/> Customize

GTLQH43PC-SERIES

Dimension [mm] :



Size	L(+/-0.3)	W(+/-0.3)	H(+/-0.4)	A(+/-0.3)	B(Ref.)	C(Ref.)	D(Ref.)	E(Ref.)
43	4.5	3.2	2.6	3.6	1.0~1.8	4.2	5.5	2.3

Electrical Characteristics :

Part No.	L(uH) @1.0MHz	L+/-% (best)	DCR (Ohm) (Max.)	IDC (mA) (Max.)
GTLQH43PC-1R0 <input type="checkbox"/>	1.00	20	0.08	1,080
GTLQH43PC-1R5 <input type="checkbox"/>	1.50	20	0.09	1,000
GTLQH43PC-2R2 <input type="checkbox"/>	2.20	20	0.11	900
GTLQH43PC-3R3 <input type="checkbox"/>	3.30	20	0.13	800
GTLQH43PC-4R7 <input type="checkbox"/>	4.70	20	0.15	750
GTLQH43PC-6R8 <input type="checkbox"/>	6.80	20	0.20	720
GTLQH43PC-100 <input type="checkbox"/>	10.00	10	0.24	650
GTLQH43PC-150 <input type="checkbox"/>	15.00	10	0.32	570
GTLQH43PC-220 <input type="checkbox"/>	22.00	10	0.60	420
GTLQH43PC-330 <input type="checkbox"/>	33.00	10	1.00	310
GTLQH43PC-470 <input type="checkbox"/>	47.00	10	1.10	280
GTLQH43PC-560 <input type="checkbox"/>	56.00	10	1.34	260
GTLQH43PC-680 <input type="checkbox"/>	68.00	10	1.70	220
GTLQH43PC-101 <input type="checkbox"/>	100.00	5	2.20	190
GTLQH43PC-151 <input type="checkbox"/>	150.00	5	3.50	130
GTLQH43PC-221 <input type="checkbox"/>	220.00	5	4.00	110
GTLQH43PC-331 <input type="checkbox"/>	330.00	5	6.80	100
GTLQH43PC-471 <input type="checkbox"/>	470.00	5	8.50	90

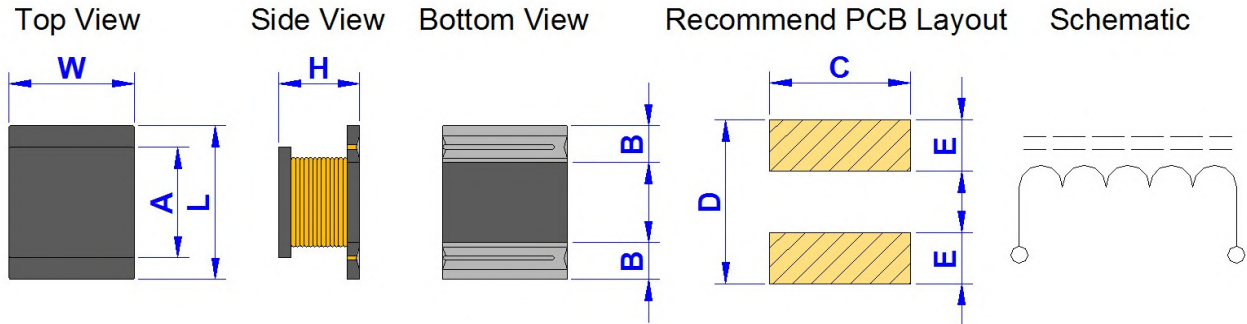
* L value Tolerance : J = 5% , K = 10% , M = 20%

* IDC : Inductance drop 10% from its value without current. and for a 40 deg.C rise above 25 deg.C ambient.

Product Series : GTLQH	Brand : GOTREND
File Version : GTLQH-SERIES-V4R8	Editor : Teddy Sun
Established Date : 2009.07.09	Description : Ferrite Core Wound Inductor
Latest Edit Date : 2020.11.06	Product Type : <input checked="" type="checkbox"/> Standard <input type="checkbox"/> Customize

GTLQH56P-SERIES

Dimension [mm] :



Size	L(+/-0.3)	W(+/-0.3)	H(+/-0.4)	A(+/-0.3)	B(Ref.)	C(Ref.)	D(Ref.)	E(Ref.)
56	5.7	5.0	4.7	5.0	1.1~1.9	6.5	7.0	2.5

Electrical Characteristics :

Part No.	L(uH) @1.0MHz	L+/-% (best)	DCR (Ohm) (Max.)	IDC (mA) (Max.)
GTLQH56P-R12 <input type="checkbox"/>	0.12	30	0.010	6000
GTLQH56P-R27 <input type="checkbox"/>	0.27	30	0.014	5300
GTLQH56P-R47 <input type="checkbox"/>	0.47	30	0.018	4800
GTLQH56P-1R0 <input type="checkbox"/>	1.00	30	0.027	4000
GTLQH56P-1R5 <input type="checkbox"/>	1.50	20	0.031	3700
GTLQH56P-2R2 <input type="checkbox"/>	2.20	20	0.041	3200
GTLQH56P-3R3 <input type="checkbox"/>	3.30	20	0.050	2900
GTLQH56P-4R7 <input type="checkbox"/>	4.70	20	0.057	2700
GTLQH56P-6R8 <input type="checkbox"/>	6.80	20	0.10	2000
GTLQH56P-100 <input type="checkbox"/>	10.00	10	0.13	1700
GTLQH56P-120 <input type="checkbox"/>	12.00	10	0.20	1500
GTLQH56P-150 <input type="checkbox"/>	15.00	10	0.21	1400
GTLQH56P-220 <input type="checkbox"/>	22.00	10	0.27	1200
GTLQH56P-240 <input type="checkbox"/>	24.00	10	0.29	1100
GTLQH56P-270 <input type="checkbox"/>	27.00	10	0.30	1000
GTLQH56P-330 <input type="checkbox"/>	33.00	10	0.45	900
GTLQH56P-470 <input type="checkbox"/>	47.00	10	0.56	800
GTLQH56P-680 <input type="checkbox"/>	68.00	10	0.94	640
GTLQH56P-101 <input type="checkbox"/>	100.00	10	1.20	560
GTLQH56P-151 <input type="checkbox"/>	150.00	10	2.66	420
GTLQH56P-221 <input type="checkbox"/>	220.00	10	3.36	320
GTLQH56P-331 <input type="checkbox"/>	330.00	10	6.16	270

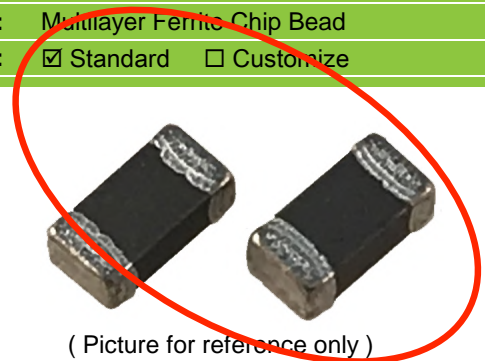
* L value Tolerance : K = 10% , M = 20% , N = 30%

* IDC : Inductance drop 10% from its value without current. and for a 40 deg.C rise above 25 deg.C ambient.

Product Series : GBD	Brand : GOTREND
File Version : GBD-SERIES-V5R7	Editor : Teddy Sun
Established Date : 2009.07.24	Description : Multilayer Ferrite Chip Bead
Latest Edit Date : 2020.11.06	Product Type : <input checked="" type="checkbox"/> Standard <input type="checkbox"/> Customize

Features & Application :

- * EMI Suppressor for Wide Band / Narrow Band / High Current
- * Fit for power line & signal line circuit
- * To help you go pass the CE/FCC standard.
- * Mobile Device / Handheld Device / LowProfile Device / Panel...



(Picture for reference only)

Part No. Example :

PN	:	GBD	201209	P	GA	601	N
-----	-----	-----	-----	-----	-----	-----	-----
ID	:	1	2	3	4	5	6

Basic Information :

Made in	China
Pin Foot	SMD
Shielding	Yes
J-STD-020	MSL Level 1
RoHS	Compliant
REACH	Compliant
Halogen	Free

- 1 : GBD : GOTREND Series
- 2 : 201209 : Length 2.0mm X Width 1.2mm x Height 0.9mm
- 3 : P : Pb < 1000ppm
- 4 : GA : Normal Curve (General purpose use)
GB : Sharp Curve (Narrow band)
GH : High-Current
GF : High-Frequency
- 5 : 601 : Impedance (ohm) = 600 ohm
- 6 : N : Tolerance M = +/-20%, N = +/-25%

Operating & Storage Condition :

- * Operating Temp -40 ~ +125 deg.C (Including self - temperature rise)
- * Storage Temp 1. -10 ~ +45 deg.C , 50 ~ 60% RH (Product with taping)
2. -40 ~ +125 deg.C (On board)
- * Storage Life Time 12 Month (Less than 40 deg.C and 60% RH)

Attention & Caution :

- * Keep out of Splashing water or salt water
- * Avoid Toxic Gas (Hydrogen sulfide, Sulfurous acid, Chlorine, Ammonia)
- Vibrations or shocks which exceed the specified condition
- Dew condense
- Layout near the edge of PCB
- Over flexure after SMT mounting & PCBA



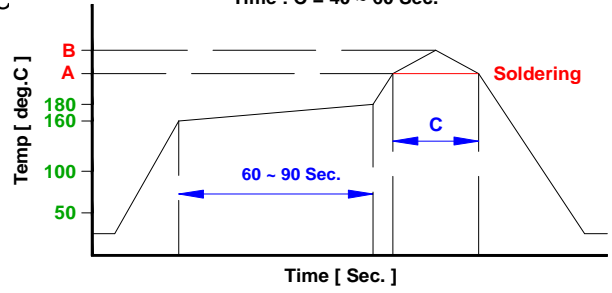
- * Pin foot or SMD pad solderability: Pb free type is best within 6 months after delivery
- * Humidity sensitive , IPC/JEDEC J-STD-020 MSL if over Level 1, recommend bake 30mins@150 degree before PCBA
- * Caution for human life relative applications : PLS contact & consult with GOTREND team in design stage.

Test Condition :

- * Equipment HP4284A , HP42841A - L , Q , DCR , IDC
HP8753D Network analyzer - SRF
- * Standard Atmosphere Conditions:
Ambient Temperature 20 ± 15 deg.C
Humidity RH 65 ± 20%
- * If there may be any doubt on the test result ,
Measurement shall be made within the following limits:
Ambient Temperature 25 ± 5 deg.C
Humidity RH 75 ± 10%

Recommend IR Reflow Curve : GTX-IR-FILE001

Lead Free Solder : A = 217 deg.C , B = 245+/-5 deg.C
Time : C = 40 ~ 60 Sec.

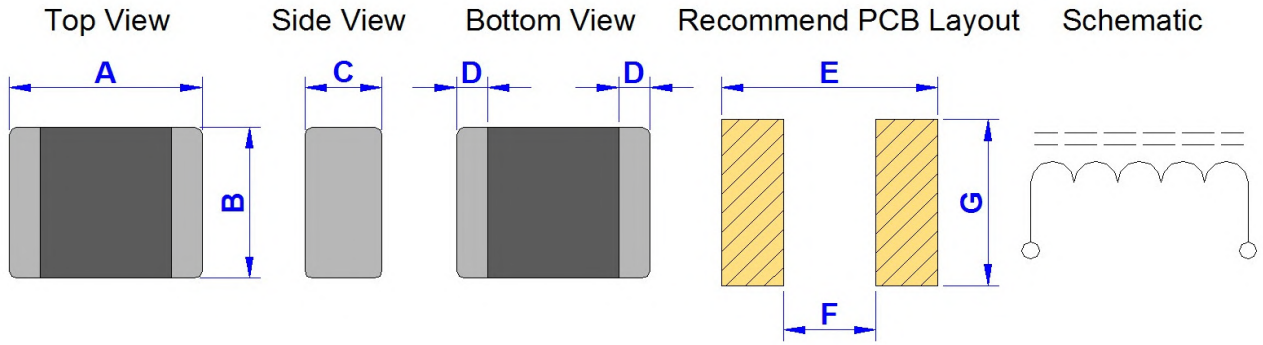


**Notice : Iron Soldering , Solder < 30 Watt ,
Direct touch the terminal x 3 Sec. Max. @ 350 deg.C**

Product Series : GBD	Brand : GOTREND
File Version : GBD-SERIES-V5R7	Editor : Teddy Sun
Established Date : 2009.07.24	Description : Multilayer Ferrite Chip Bead
Latest Edit Date : 2020.11.06	Product Type : <input checked="" type="checkbox"/> Standard <input type="checkbox"/> Customize

GBD060303PGA-SERIES

Dimension [mm] :



Size	A	B	C	D	E(Ref.)	F(Ref.)	G(Ref.)
060303	0.60+/-0.03	0.30+/-0.03	0.30+/-0.03	0.10 ~ 0.20	0.70	0.30	0.40

Electrical Characteristics :

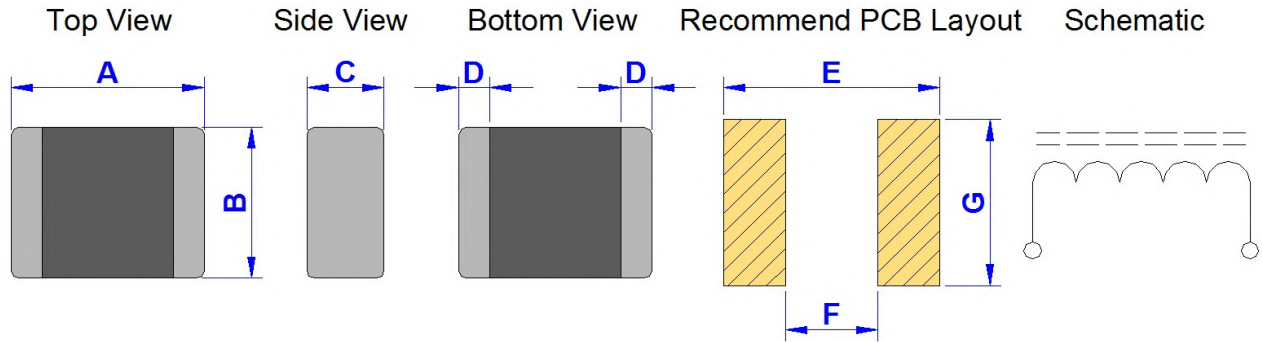
Part No.	Z - Value (Ohm) (+/- 25%)	Test Freq. (MHz) / 0.5V	DCR (Ohm) (Max.)	Rated Current (mA) (Max.)
GBD060303PGA121N	120	100	0.45	200
GBD060303PGA151N	150	100	0.50	200

* Rated Current based on increasing product temperature : Current when temperature of the product reaches +40 deg.C .

Product Series : GBD	Brand : GOTREND
File Version : GBD-SERIES-V5R7	Editor : Teddy Sun
Established Date : 2009.07.24	Description : Multilayer Ferrite Chip Bead
Latest Edit Date : 2020.11.06	Product Type : <input checked="" type="checkbox"/> Standard <input type="checkbox"/> Customize

GBD100505PGA-SERIES

Dimension [mm] :



Size	A	B	C	D	E(Ref.)	F(Ref.)	G(Ref.)
100505	1.00+/-0.15	0.50+/-0.15	0.50+/-0.15	0.25+/-0.15	1.10	0.40	0.60

Electrical Characteristics :

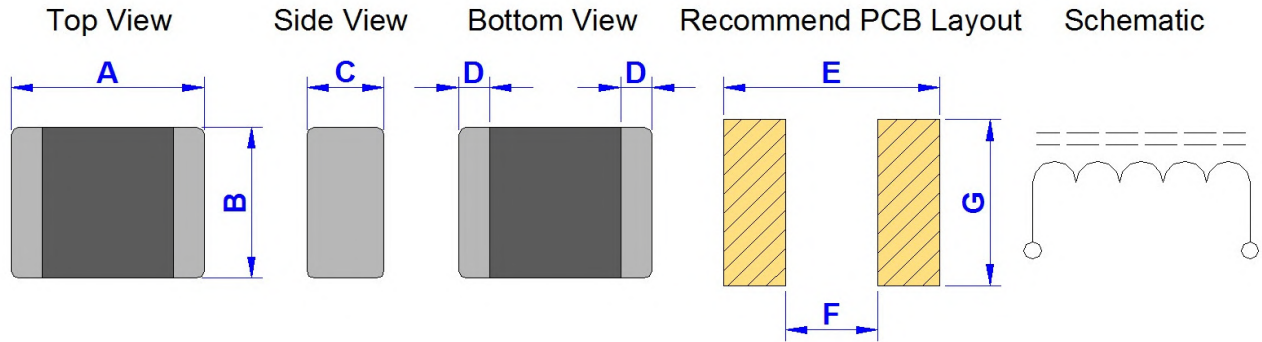
Part No.	Z - Value (Ohm) (+/- 25%)	Test Freq. (MHz) / 0.5V	DCR (Ohm) (Max.)	Rated Current (mA) (Max.)
GBD100505PGA060N	6	100	0.05	500
GBD100505PGA100N	10	100	0.05	500
GBD100505PGA300N	30	100	0.20	300
GBD100505PGA330N	33	100	0.20	300
GBD100505PGA400N	40	100	0.30	300
GBD100505PGA470N	47	100	0.20	500
GBD100505PGA600N	60	100	0.40	200
GBD100505PGA750N	75	100	0.40	300
GBD100505PGA800N	80	100	0.40	200
GBD100505PGA101N	100	100	0.45	200
GBD100505PGA121N	120	100	0.50	200
GBD100505PGA221N	220	100	0.50	200
GBD100505PGA241N	240	100	0.50	200
GBD100505PGA301N	300	100	0.75	100
GBD100505PGA481N	480	100	0.80	200
GBD100505PGA601N	600	100	1.00	200
GBD100505PGA102N	1000	100	1.50	100
GBD100505PGA152N	1500	100	2.00	60

* Rated Current based on increasing product temperature : Current when temperature of the product reaches +40 deg.C .

Product Series : GBD	Brand : GOTREND
File Version : GBD-SERIES-V5R7	Editor : Teddy Sun
Established Date : 2009.07.24	Description : Multilayer Ferrite Chip Bead
Latest Edit Date : 2020.11.06	Product Type : <input checked="" type="checkbox"/> Standard <input type="checkbox"/> Customize

GBD160808PGA-SERIES

Dimension [mm] :



Size	A	B	C	D	E(Ref.)	F(Ref.)	G(Ref.)
160808	1.60+/-0.15	0.80+/-0.15	0.80+/-0.15	0.40+/-0.20	1.80	0.60	1.00

Electrical Characteristics :

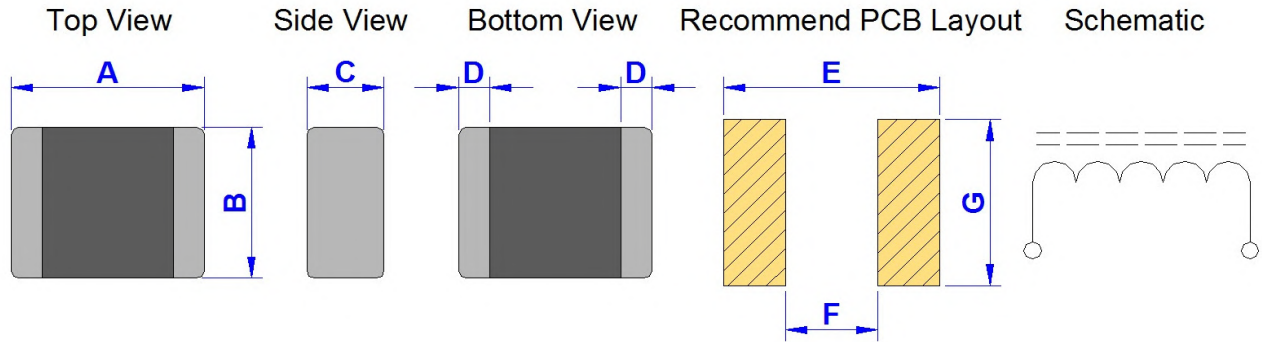
Part No.	Z - Value (Ohm) (+/- 25%)	Test Freq. (MHz) / 0.5V	DCR (Ohm) (Max.)	Rated Current (mA) (Max.)
GBD160808PGA060N	6	100	0.05	500
GBD160808PGA100N	10	100	0.02	500
GBD160808PGA110N	11	100	0.05	500
GBD160808PGA190N	19	100	0.08	500
GBD160808PGA220N	22	100	0.10	400
GBD160808PGA250N	25	100	0.10	400
GBD160808PGA260N	26	100	0.10	400
GBD160808PGA300N	30	100	0.10	400
GBD160808PGA310N	31	100	0.10	400
GBD160808PGA400N	40	100	0.10	400
GBD160808PGA470N	47	100	0.10	300
GBD160808PGA500N	50	100	0.10	300
GBD160808PGA600N	60	100	0.10	300
GBD160808PGA700N	70	100	0.15	300
GBD160808PGA750N	75	100	0.15	300
GBD160808PGA800N	80	100	0.15	300
GBD160808PGA900N	90	100	0.20	300
GBD160808PGA101N	100	100	0.20	300
GBD160808PGA121N	120	100	0.25	300
GBD160808PGA151N	150	100	0.30	200
GBD160808PGA181N	180	100	0.30	200
GBD160808PGA201N	200	100	0.30	200
GBD160808PGA221N	220	100	0.30	200
GBD160808PGA241N	240	100	0.40	200
GBD160808PGA301N	300	100	0.40	200
GBD160808PGA331N	330	100	0.50	200

* Rated Current based on increasing product temperature : Current when temperature of the product reaches +40 deg.C .

Product Series : GBD	Brand : GOTREND
File Version : GBD-SERIES-V5R7	Editor : Teddy Sun
Established Date : 2009.07.24	Description : Multilayer Ferrite Chip Bead
Latest Edit Date : 2020.11.06	Product Type : <input checked="" type="checkbox"/> Standard <input type="checkbox"/> Customize

GBD160808PGA-SERIES

Dimension [mm] :



Size	A	B	C	D	E(Ref.)	F(Ref.)	G(Ref.)
160808	1.60+/-0.15	0.80+/-0.15	0.80+/-0.15	0.40+/-0.20	1.80	0.60	1.00

Electrical Characteristics :

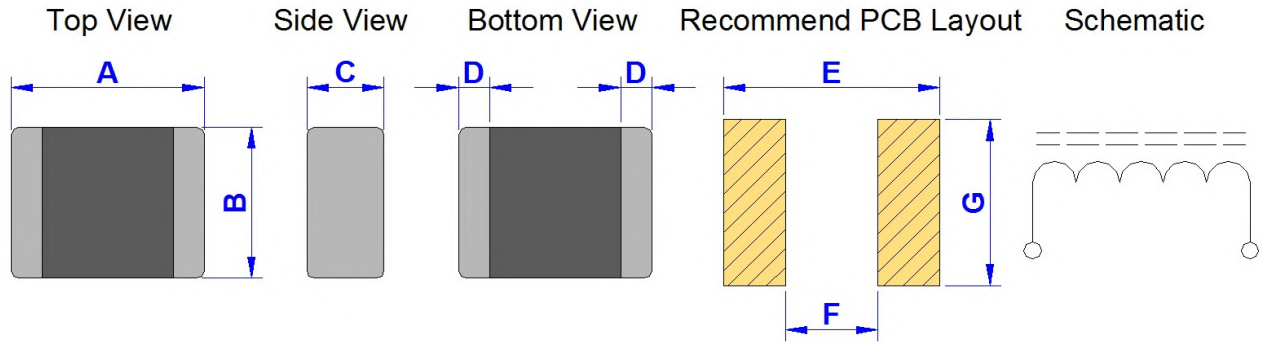
Part No.	Z - Value (Ohm) (+/- 25%)	Test Freq. (MHz) / 0.5V	DCR (Ohm) (Max.)	Rated Current (mA) (Max.)
GBD160808PGA401N	400	100	0.30	400
GBD160808PGA451N	450	100	0.50	200
GBD160808PGA471N	470	100	0.50	200
GBD160808PGA501N	500	100	0.50	200
GBD160808PGA601N	600	100	0.50	200
GBD160808PGA751N	750	100	0.70	200
GBD160808PGA102N	1000	100	0.70	200
GBD160808PGA152N	1500	100	1.00	50
GBD160808PGA222N	2200	100	1.20	50
GBD160808PGA252N	2500	100	1.30	50

* Rated Current based on increasing product temperature : Current when temperature of the product reaches +40 deg.C .

Product Series : GBD	Brand : GOTREND
File Version : GBD-SERIES-V5R7	Editor : Teddy Sun
Established Date : 2009.07.24	Description : Multilayer Ferrite Chip Bead
Latest Edit Date : 2020.11.06	Product Type : <input checked="" type="checkbox"/> Standard <input type="checkbox"/> Customize

GBD201209PGA-SERIES

Dimension [mm] :



Size	A	B	C	D	E(Ref.)	F(Ref.)	G(Ref.)
201209	2.00+/-0.20	1.25+/-0.20	0.90+/-0.20	0.50+/-0.30	2.30	1.30	1.30

Electrical Characteristics :

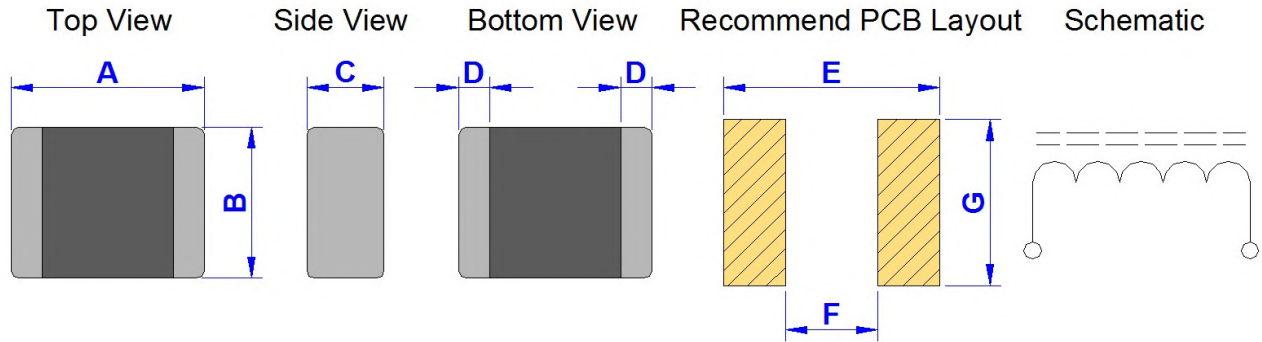
Part No.	Z - Value (Ohm) (+/- 25%)	Test Freq. (MHz) / 0.5V	DCR (Ohm) (Max.)	Rated Current (mA) (Max.)
GBD201209PGA070N	7	100	0.10	600
GBD201209PGA090N	9	100	0.10	600
GBD201209PGA110N	11	100	0.10	600
GBD201209PGA170N	17	100	0.10	600
GBD201209PGA190N	19	100	0.10	600
GBD201209PGA220N	22	100	0.10	600
GBD201209PGA260N	26	100	0.10	600
GBD201209PGA300N	30	100	0.10	600
GBD201209PGA310N	31	100	0.10	600
GBD201209PGA320N	32	100	0.10	300
GBD201209PGA400N	40	100	0.10	500
GBD201209PGA470N	47	100	0.10	500
GBD201209PGA500N	50	100	0.10	500
GBD201209PGA600N	60	100	0.15	500
GBD201209PGA700N	70	100	0.15	500
GBD201209PGA800N	80	100	0.15	500
GBD201209PGA900N	90	100	0.15	500
GBD201209PGA101N	100	100	0.25	300
GBD201209PGA121N	120	100	0.25	300
GBD201209PGA151N	150	100	0.25	300
GBD201209PGA201N	200	100	0.30	300
GBD201209PGA221N	220	100	0.30	300
GBD201209PGA301N	300	100	0.30	300
GBD201209PGA331N	330	100	0.30	300
GBD201209PGA401N	400	100	0.30	300
GBD201209PGA451N	450	100	0.40	300

* Rated Current based on increasing product temperature : Current when temperature of the product reaches +40 deg.C .

Product Series : GBD	Brand : GOTREND
File Version : GBD-SERIES-V5R7	Editor : Teddy Sun
Established Date : 2009.07.24	Description : Multilayer Ferrite Chip Bead
Latest Edit Date : 2020.11.06	Product Type : <input checked="" type="checkbox"/> Standard <input type="checkbox"/> Customize

GBD201209PGA-SERIES

Dimension [mm] :



Size	A	B	C	D	E(Ref.)	F(Ref.)	G(Ref.)
201209	2.00+/-0.20	1.25+/-0.20	0.90+/-0.20	0.50+/-0.30	2.30	1.30	1.30

Electrical Characteristics :

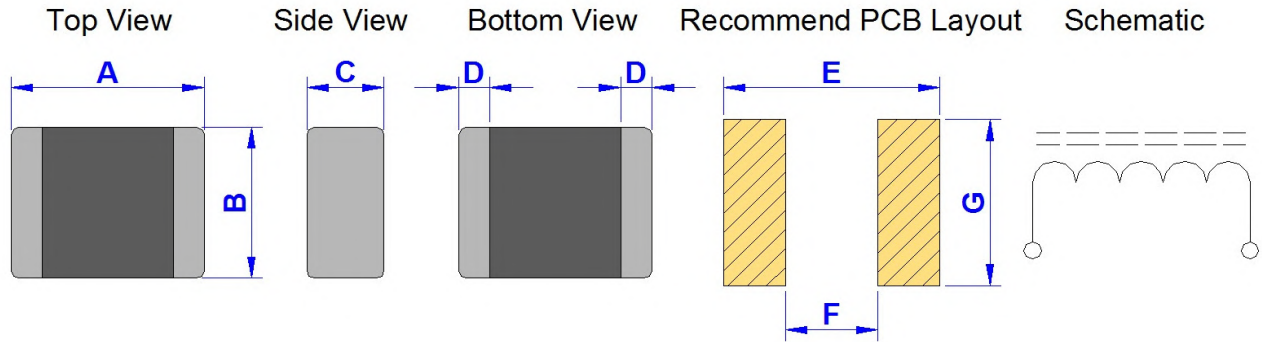
Part No.	Z - Value (Ohm) (+/- 25%)	Test Freq. (MHz) / 0.5V	DCR (Ohm) (Max.)	Rated Current (mA) (Max.)
GBD201209PGA471N	470	100	0.40	300
GBD201209PGA501N	500	100	0.40	300
GBD201209PGA601N	600	100	0.40	300
GBD201209PGA751N	750	100	0.50	200
GBD201209PGA102N	1000	100	0.50	200
GBD201209PGA122N	1200	100	0.60	200
GBD201209PGA152N	1500	100	0.60	200
GBD201209PGA202N	2000	100	0.60	200
GBD201209PGA222N	2200	100	0.60	200
GBD201209PGA252N	2500	100	0.70	200
GBD201209PGA272N	2700	100	0.70	200

* Rated Current based on increasing product temperature : Current when temperature of the product reaches +40 deg.C .

Product Series : GBD	Brand : GOTREND
File Version : GBD-SERIES-V5R7	Editor : Teddy Sun
Established Date : 2009.07.24	Description : Multilayer Ferrite Chip Bead
Latest Edit Date : 2020.11.06	Product Type : <input checked="" type="checkbox"/> Standard <input type="checkbox"/> Customize

GBD321611PGA-SERIES

Dimension [mm] :



Size	A	B	C	D	E(Ref.)	F(Ref.)	G(Ref.)
321611	3.20+/-0.20	1.60+/-0.20	1.10+/-0.20	0.70+/-0.30	4.40	2.20	2.06

Electrical Characteristics :

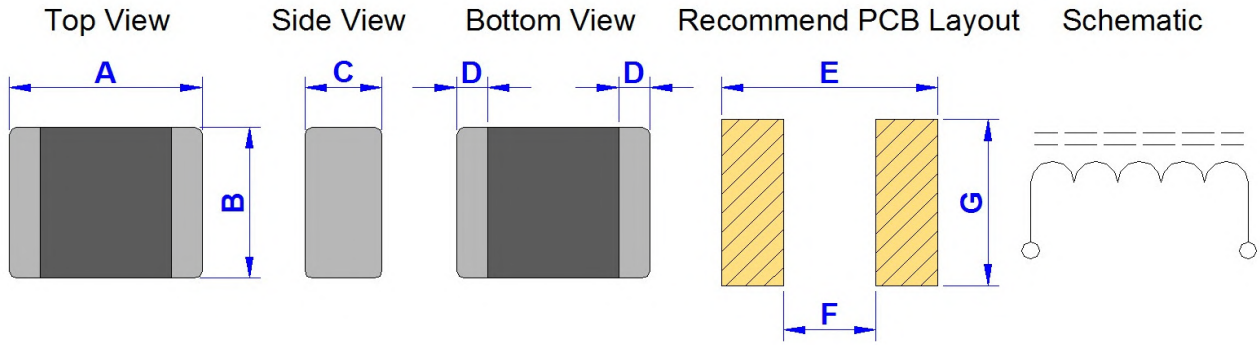
Part No.	Z - Value (Ohm) (+/- 25%)	Test Freq. (MHz) / 0.5V	DCR (Ohm) (Max.)	Rated Current (mA) (Max.)
GBD321611PGA110N	11	100	0.05	600
GBD321611PGA190N	19	100	0.05	600
GBD321611PGA260N	26	100	0.05	600
GBD321611PGA300N	30	100	0.05	600
GBD321611PGA310N	31	100	0.05	600
GBD321611PGA320N	32	100	0.05	600
GBD321611PGA470N	47	100	0.10	500
GBD321611PGA500N	50	100	0.10	500
GBD321611PGA600N	60	100	0.10	500
GBD321611PGA700N	70	100	0.10	500
GBD321611PGA800N	80	100	0.15	500
GBD321611PGA900N	90	100	0.15	500
GBD321611PGA101N	100	100	0.15	500
GBD321611PGA121N	120	100	0.15	500
GBD321611PGA151N	150	100	0.15	500
GBD321611PGA201N	200	100	0.20	400
GBD321611PGA221N	220	100	0.20	400
GBD321611PGA301N	300	100	0.20	400
GBD321611PGA401N	400	100	0.20	400
GBD321611PGA471N	470	100	0.20	400
GBD321611PGA501N	500	100	0.20	400
GBD321611PGA601N	600	100	0.30	400
GBD321611PGA102N	1000	50	0.40	200
GBD321611PGA122N	1200	50	0.40	200
GBD321611PGA152N	1500	50	0.45	200
GBD321611PGA202N	2000	30	0.60	200
GBD321611PGA272N	2700	30	0.60	200

* Rated Current based on increasing product temperature : Current when temperature of the product reaches +40 deg.C .

Product Series : GBD	Brand : GOTREND
File Version : GBD-SERIES-V5R7	Editor : Teddy Sun
Established Date : 2009.07.24	Description : Multilayer Ferrite Chip Bead
Latest Edit Date : 2020.11.06	Product Type : <input checked="" type="checkbox"/> Standard <input type="checkbox"/> Customize

GBD321616PGA-SERIES

Dimension [mm] :



Size	A	B	C	D	E(Ref.)	F(Ref.)	G(Ref.)
321616	3.20+/-0.20	1.60+/-0.20	1.60+/-0.20	0.51+/-0.20	4.40	2.20	2.06

Electrical Characteristics :

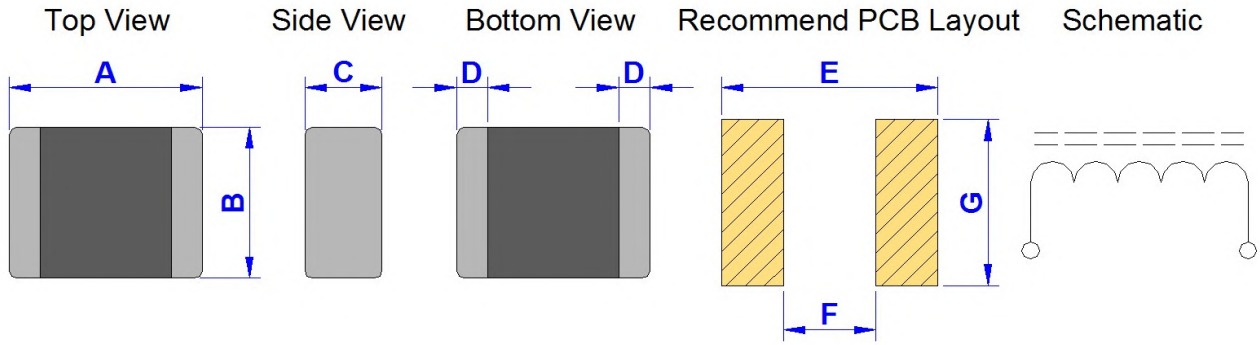
Part No.	Z - Value (Ohm) (+/- 25%)	Test Freq. (MHz) / 0.5V	DCR (Ohm) (Max.)	Rated Current (mA) (Max.)
GBD321616PGA250N	25	100	0.10	500
GBD321616PGA600N	60	100	0.20	500
GBD321616PGA700N	70	100	0.20	500

* Rated Current based on increasing product temperature : Current when temperature of the product reaches +40 deg.C .

Product Series : GBD	Brand : GOTREND
File Version : GBD-SERIES-V5R7	Editor : Teddy Sun
Established Date : 2009.07.24	Description : Multilayer Ferrite Chip Bead
Latest Edit Date : 2020.11.06	Product Type : <input checked="" type="checkbox"/> Standard <input type="checkbox"/> Customize

GBD322513PGA-SERIES

Dimension [mm] :



Size	A	B	C	D	E(Ref.)	F(Ref.)	G(Ref.)
322513	3.20+/-0.20	2.50+/-0.20	1.30+/-0.20	0.80+/-0.20	4.06	2.13	2.74

Electrical Characteristics :

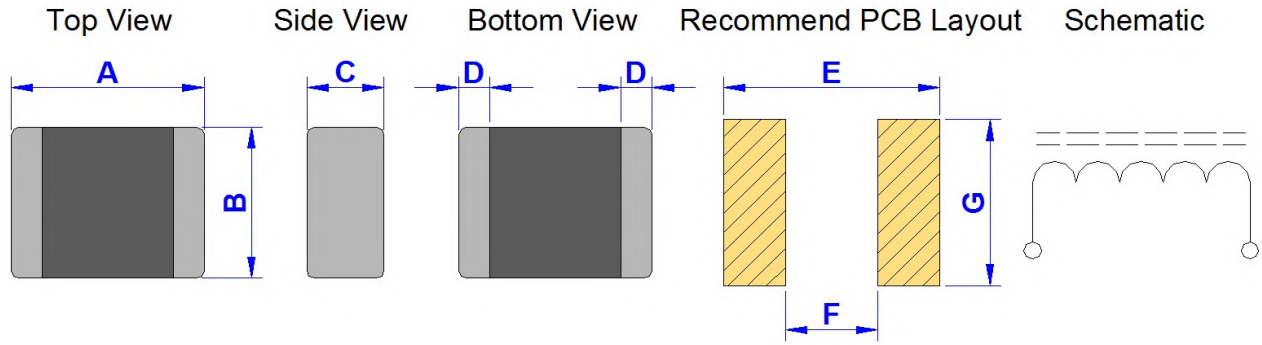
Part No.	Z - Value (Ohm) (+/- 25%)	Test Freq. (MHz) / 0.5V	DCR (Ohm) (Max.)	Rated Current (mA) (Max.)
GBD322513PGA320N	32	100	0.20	500
GBD322513PGA600N	60	100	0.20	500
GBD322513PGA900N	90	100	0.20	500

* Rated Current based on increasing product temperature : Current when temperature of the product reaches +40 deg.C .

Product Series : GBD	Brand : GOTREND
File Version : GBD-SERIES-V5R7	Editor : Teddy Sun
Established Date : 2009.07.24	Description : Multilayer Ferrite Chip Bead
Latest Edit Date : 2020.11.06	Product Type : <input checked="" type="checkbox"/> Standard <input type="checkbox"/> Customize

GBD451616PGA-SERIES

Dimension [mm] :



Size	A	B	C	D	E(Ref.)	F(Ref.)	G(Ref.)
451616	4.50+/-0.20	1.60+/-0.20	1.60+/-0.20	0.80+/-0.20	5.70	2.70	2.24

Electrical Characteristics :

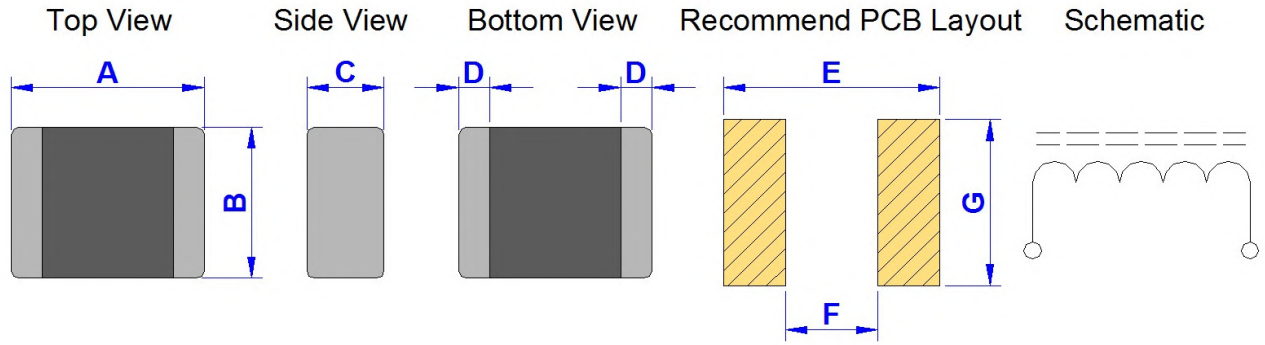
Part No.	Z - Value (Ohm) (+/- 25%)	Test Freq. (MHz) / 0.5V	DCR (Ohm) (Max.)	Rated Current (mA) (Max.)
GBD451616PGA500N	50	100	0.20	600
GBD451616PGA600N	60	100	0.20	600
GBD451616PGA800N	80	100	0.20	600
GBD451616PGA101N	100	100	0.30	500
GBD451616PGA151N	150	100	0.30	500
GBD451616PGA171N	170	100	0.30	500

* Rated Current based on increasing product temperature : Current when temperature of the product reaches +40 deg.C .

Product Series : GBD	Brand : GOTREND
File Version : GBD-SERIES-V5R7	Editor : Teddy Sun
Established Date : 2009.07.24	Description : Multilayer Ferrite Chip Bead
Latest Edit Date : 2020.11.06	Product Type : <input checked="" type="checkbox"/> Standard <input type="checkbox"/> Customize

GBD453215PGA-SERIES

Dimension [mm] :



Size	A	B	C	D	E(Ref.)	F(Ref.)	G(Ref.)
453215	4.50+/-0.20	3.20+/-0.20	1.50+/-0.20	0.80+/-0.20	5.90	2.57	4.22

Electrical Characteristics :

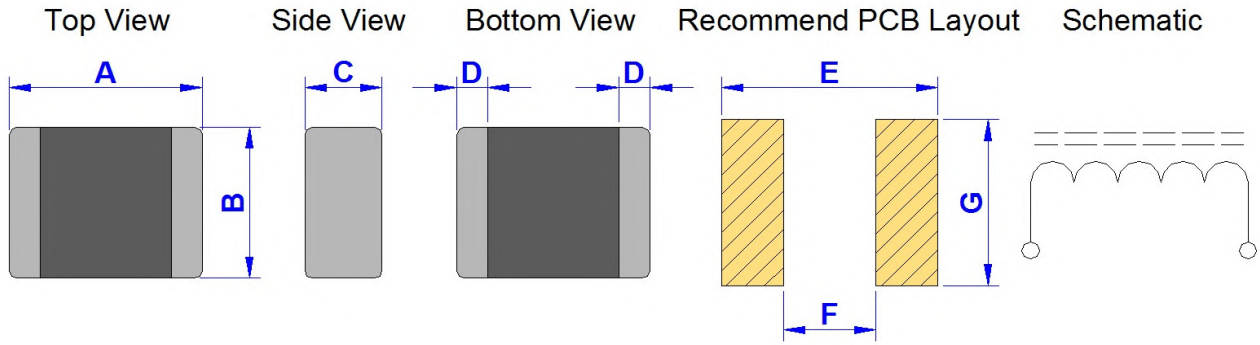
Part No.	Z - Value (Ohm) (+/- 25%)	Test Freq. (MHz) / 0.5V	DCR (Ohm) (Max.)	Rated Current (mA) (Max.)
GBD453215PGA700N	70	100	0.30	500
GBD453215PGA121N	120	100	0.30	500

* Rated Current based on increasing product temperature : Current when temperature of the product reaches +40 deg.C .

Product Series : GBD	Brand : GOTREND
File Version : GBD-SERIES-V5R7	Editor : Teddy Sun
Established Date : 2009.07.24	Description : Multilayer Ferrite Chip Bead
Latest Edit Date : 2020.11.06	Product Type : <input checked="" type="checkbox"/> Standard <input type="checkbox"/> Customize

GBD100505PGB-SERIES

Dimension [mm] :



Size	A	B	C	D	E(Ref.)	F(Ref.)	G(Ref.)
100505	1.00+/-0.15	0.50+/-0.15	0.50+/-0.15	0.25+/-0.15	1.10	0.40	0.60

Electrical Characteristics :

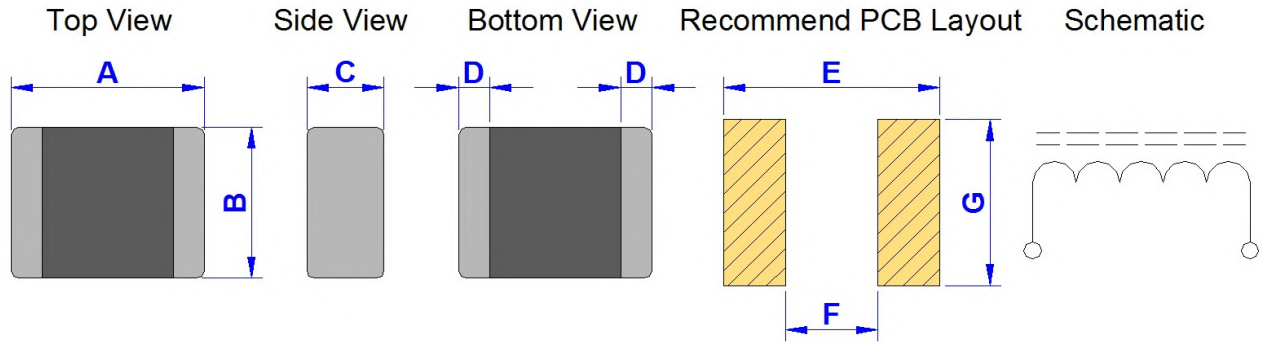
Part No.	Z - Value (Ohm) (+/- 25%)	Test Freq. (MHz) / 0.5V	DCR (Ohm) (Max.)	Rated Current (mA) (Max.)
GBD100505PGB060N	6	100	0.10	300
GBD100505PGB100N	10	100	0.20	200
GBD100505PGB400N	40	100	0.40	150
GBD100505PGB800N	80	100	0.60	100
GBD100505PGB121N	120	100	0.80	50

* Rated Current based on increasing product temperature : Current when temperature of the product reaches +40 deg.C .

Product Series : GBD	Brand : GOTREND
File Version : GBD-SERIES-V5R7	Editor : Teddy Sun
Established Date : 2009.07.24	Description : Multilayer Ferrite Chip Bead
Latest Edit Date : 2020.11.06	Product Type : <input checked="" type="checkbox"/> Standard <input type="checkbox"/> Customize

GBD160808PGB-SERIES

Dimension [mm] :



Size	A	B	C	D	E(Ref.)	F(Ref.)	G(Ref.)
160808	1.60+/-0.15	0.80+/-0.15	0.80+/-0.15	0.40+/-0.20	1.80	0.60	1.00

Electrical Characteristics :

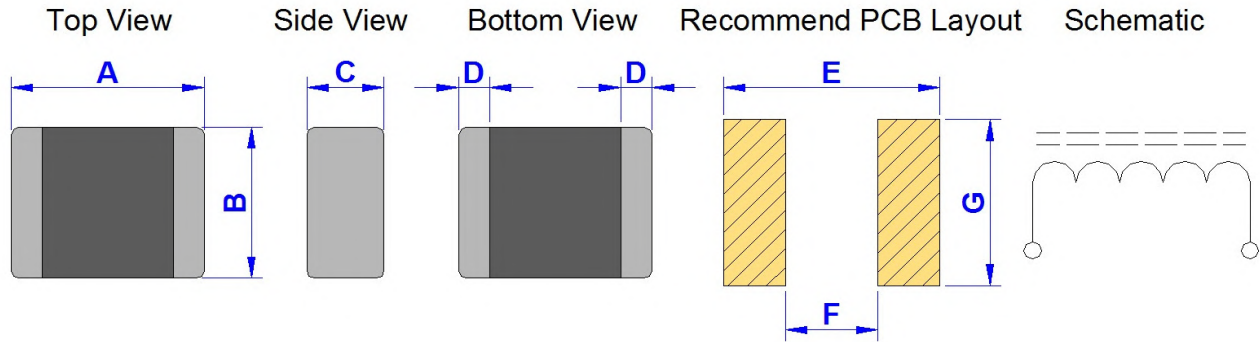
Part No.	Z - Value (Ohm) (+/- 25%)	Test Freq. (MHz) / 0.5V	DCR (Ohm) (Max.)	Rated Current (mA) (Max.)
GBD160808PGB060N	6	100	0.05	500
GBD160808PGB100N	10	100	0.07	400
GBD160808PGB300N	30	100	0.30	300
GBD160808PGB400N	40	100	0.30	300
GBD160808PGB470N	47	100	0.30	300
GBD160808PGB600N	60	100	0.30	300
GBD160808PGB750N	75	100	0.40	300
GBD160808PGB800N	80	100	0.40	300
GBD160808PGB101N	100	100	0.40	300
GBD160808PGB121N	120	100	0.40	300
GBD160808PGB131N	130	100	0.40	300
GBD160808PGB151N	150	100	0.40	300
GBD160808PGB221N	220	100	0.40	200
GBD160808PGB241N	240	100	0.40	200
GBD160808PGB301N	300	100	0.50	200
GBD160808PGB481N	480	100	0.60	150
GBD160808PGB601N	600	100	0.60	100
GBD160808PGB102N	1000	100	0.70	100
GBD160808PGB152N	1500	100	0.80	100
GBD160808PGB182N	1800	100	0.95	100
GBD160808PGB222N	2200	100	1.50	50

* Rated Current based on increasing product temperature : Current when temperature of the product reaches +40 deg.C .

Product Series : GBD	Brand : GOTREND
File Version : GBD-SERIES-V5R7	Editor : Teddy Sun
Established Date : 2009.07.24	Description : Multilayer Ferrite Chip Bead
Latest Edit Date : 2020.11.06	Product Type : <input checked="" type="checkbox"/> Standard <input type="checkbox"/> Customize

GBD201209PGB-SERIES

Dimension [mm] :



Size	A	B	C	D	E(Ref.)	F(Ref.)	G(Ref.)
201209	2.00+/-0.20	1.25+/-0.20	0.90+/-0.20	0.50+/-0.30	2.30	1.30	1.30

Electrical Characteristics :

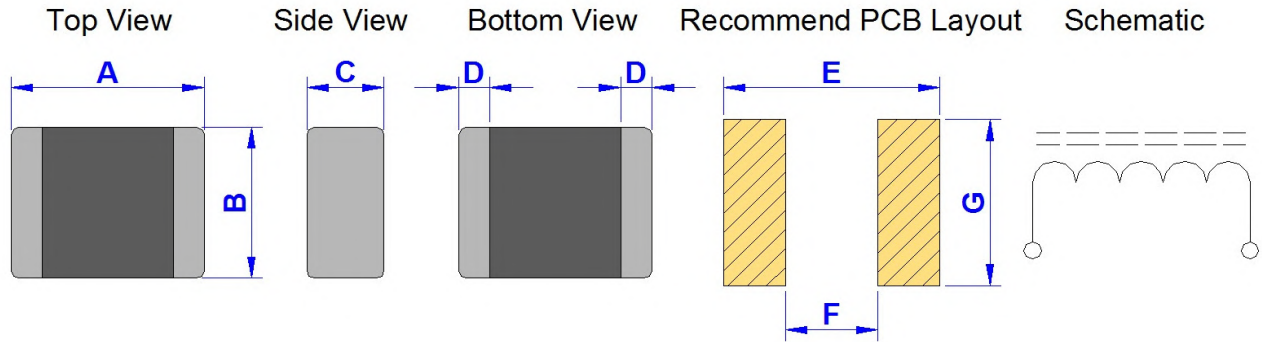
Part No.	Z - Value (Ohm) (+/- 25%)	Test Freq. (MHz) / 0.5V	DCR (Ohm) (Max.)	Rated Current (mA) (Max.)
GBD201209PGB060N	6	100	0.07	800
GBD201209PGB110N	11	100	0.10	700
GBD201209PGB260N	26	100	0.20	600
GBD201209PGB300N	30	100	0.20	600
GBD201209PGB320N	32	100	0.20	600
GBD201209PGB400N	40	100	0.30	500
GBD201209PGB600N	60	100	0.30	500
GBD201209PGB750N	75	100	0.30	500
GBD201209PGB900N	90	100	0.30	500
GBD201209PGB101N	100	100	0.40	400
GBD201209PGB121N	120	100	0.40	400
GBD201209PGB151N	150	100	0.40	400
GBD201209PGB171N	170	100	0.50	400
GBD201209PGB201N	200	100	0.50	300
GBD201209PGB221N	220	100	0.50	300
GBD201209PGB301N	300	100	0.50	300
GBD201209PGB401N	400	100	0.50	300
GBD201209PGB501N	500	100	0.50	200
GBD201209PGB601N	600	100	0.50	200
GBD201209PGB751N	750	100	0.60	100
GBD201209PGB102N	1000	100	0.60	100
GBD201209PGB122N	1200	100	0.70	100
GBD201209PGB152N	1500	100	0.70	100
GBD201209PGB222N	2200	100	0.75	100
GBD201209PGB272N	2700	100	0.85	100

* Rated Current based on increasing product temperature : Current when temperature of the product reaches +40 deg.C .

Product Series : GBD	Brand : GOTREND
File Version : GBD-SERIES-V5R7	Editor : Teddy Sun
Established Date : 2009.07.24	Description : Multilayer Ferrite Chip Bead
Latest Edit Date : 2020.11.06	Product Type : <input checked="" type="checkbox"/> Standard <input type="checkbox"/> Customize

GBD321611PGB-SERIES

Dimension [mm] :



Size	A	B	C	D	E(Ref.)	F(Ref.)	G(Ref.)
321611	3.20+/-0.20	1.60+/-0.20	1.10+/-0.20	0.70+/-0.30	4.40	2.20	2.06

Electrical Characteristics :

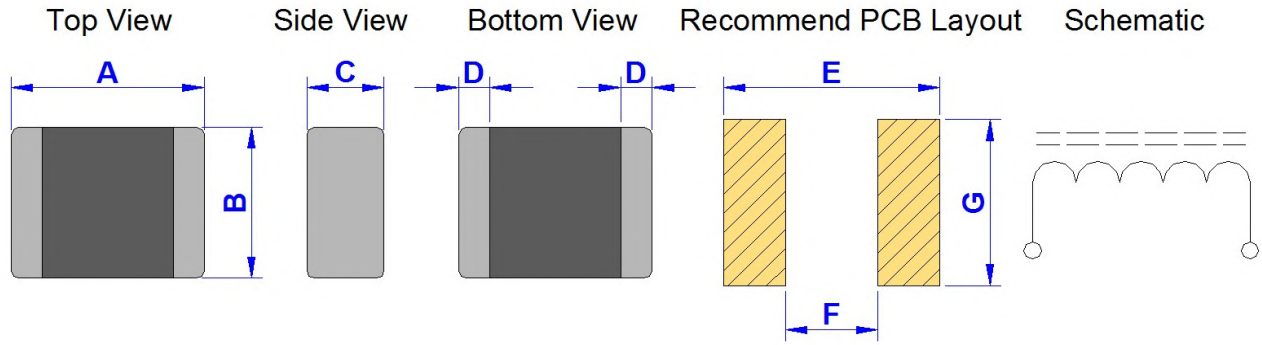
Part No.	Z - Value (Ohm) (+/- 25%)	Test Freq. (MHz) / 0.5V	DCR (Ohm) (Max.)	Rated Current (mA) (Max.)
GBD321611PGB190N	19	100	0.20	600
GBD321611PGB320N	32	100	0.20	600
GBD321611PGB600N	60	100	0.30	500
GBD321611PGB800N	80	100	0.30	500
GBD321611PGB900N	90	100	0.30	500
GBD321611PGB121N	120	100	0.40	400
GBD321611PGB151N	150	100	0.40	400
GBD321611PGB201N	200	100	0.50	300
GBD321611PGB221N	220	100	0.50	300
GBD321611PGB351N	350	100	0.60	300
GBD321611PGB401N	400	100	0.60	300
GBD321611PGB601N	600	100	0.80	300
GBD321611PGB122N	1200	100	1.00	200
GBD321611PGB152N	1500	100	1.20	150

* Rated Current based on increasing product temperature : Current when temperature of the product reaches +40 deg.C .

Product Series : GBD	Brand : GOTREND
File Version : GBD-SERIES-V5R7	Editor : Teddy Sun
Established Date : 2009.07.24	Description : Multilayer Ferrite Chip Bead
Latest Edit Date : 2020.11.06	Product Type : <input checked="" type="checkbox"/> Standard <input type="checkbox"/> Customize

GBD100505PGH-SERIES

Dimension [mm] :



Size	A	B	C	D	E(Ref.)	F(Ref.)	G(Ref.)
100505	1.00+/-0.15	0.50+/-0.15	0.50+/-0.15	0.25+/-0.15	1.10	0.40	0.60

Electrical Characteristics :

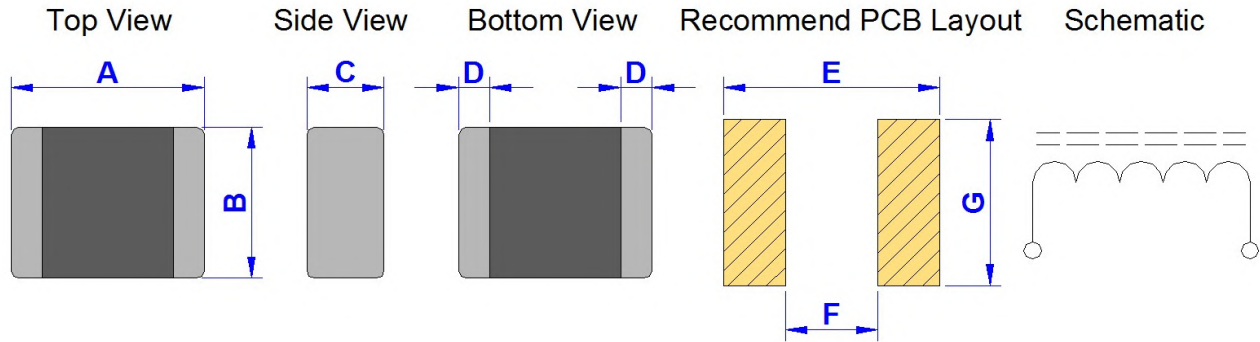
Part No.	Z - Value (Ohm) (+/- 25%)	Test Freq. (MHz) / 0.5V	DCR (Ohm) (Max.)	Rated Current (mA) (Max.)
GBD100505PGH100N	10	100	0.030	2000
GBD100505PGH300N	30	100	0.050	1700
GBD100505PGH600N	60	100	0.080	1500
GBD100505PGH800N	80	100	0.090	1200
GBD100505PGH101N	100	100	0.090	1200
GBD100505PGH121N	120	100	0.090	1200
GBD100505PGH601N	600	100	0.340	420

* Rated Current based on increasing product temperature : Current when temperature of the product reaches +40 deg.C .

Product Series : GBD	Brand : GOTREND
File Version : GBD-SERIES-V5R7	Editor : Teddy Sun
Established Date : 2009.07.24	Description : Multilayer Ferrite Chip Bead
Latest Edit Date : 2020.11.06	Product Type : <input checked="" type="checkbox"/> Standard <input type="checkbox"/> Customize

GBD160808PGH-SERIES

Dimension [mm] :



Size	A	B	C	D	E(Ref.)	F(Ref.)	G(Ref.)
160808	1.60+/-0.15	0.80+/-0.15	0.80+/-0.15	0.40+/-0.20	1.80	0.60	1.00

Electrical Characteristics :

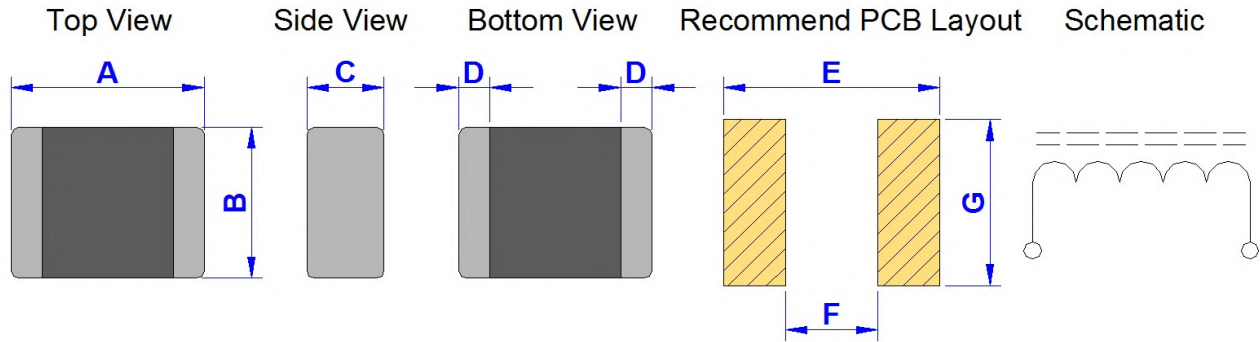
Part No.	Z - Value (Ohm) (+/- 25%)	Test Freq. (MHz) / 0.5V	DCR (Ohm) (Max.)	Rated Current (mA) (Max.)
GBD160808PGH100N	10	100	0.020	4000
GBD160808PGH110N	11	100	0.020	4000
GBD160808PGH220N	22	100	0.040	3000
GBD160808PGH250N	25	100	0.030	3000
GBD160808PGH300N	30	100	0.030	3000
GBD160808PGH400N	40	100	0.035	3000
GBD160808PGH600N	60	100	0.040	3000
GBD160808PGH700N	70	100	0.050	2500
GBD160808PGH750N	75	100	0.050	2500
GBD160808PGH800N	80	100	0.050	2500
GBD160808PGH900N	90	100	0.050	2500
GBD160808PGH101N	100	100	0.050	2500
GBD160808PGH121N	120	100	0.050	2500
GBD160808PGH151N	150	100	0.080	2000
GBD160808PGH181N	180	100	0.080	2000
GBD160808PGH201N	200	100	0.100	2000
GBD160808PGH221N	220	100	0.100	2000
GBD160808PGH301N	300	100	0.100	2000
GBD160808PGH331N	330	100	0.150	1500
GBD160808PGH391N	390	100	0.140	1000
GBD160808PGH471N	470	100	0.150	1500
GBD160808PGH501N	500	100	0.150	1500
GBD160808PGH601N	600	100	0.200	1000
GBD160808PGH102N	1000	100	0.250	800
GBD160808PGH152N	1500	100	0.400	500
GBD160808PGH202N	2000	100	0.500	500
GBD160808PGH252N	2500	100	0.800	200

* Rated Current based on increasing product temperature : Current when temperature of the product reaches +40 deg.C .

Product Series : GBD	Brand : GOTREND
File Version : GBD-SERIES-V5R7	Editor : Teddy Sun
Established Date : 2009.07.24	Description : Multilayer Ferrite Chip Bead
Latest Edit Date : 2020.11.06	Product Type : <input checked="" type="checkbox"/> Standard <input type="checkbox"/> Customize

GBD201209PGH-SERIES

Dimension [mm] :



Size	A	B	C	D	E(Ref.)	F(Ref.)	G(Ref.)
201209	2.00+/-0.20	1.25+/-0.20	0.90+/-0.20	0.50+/-0.30	2.30	1.30	1.30

Electrical Characteristics :

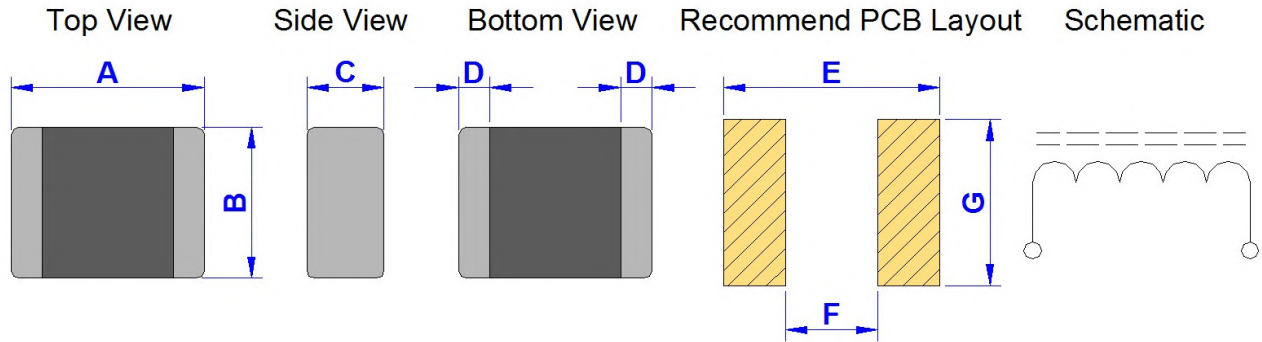
Part No.	Z - Value (Ohm) (+/- 25%)	Test Freq. (MHz) / 0.5V	DCR (Ohm) (Max.)	Rated Current (mA) (Max.)
GBD201209PGH070N	7	100	0.01	6000
GBD201209PGH110N	11	100	0.01	6000
GBD201209PGH170N	17	100	0.02	5000
GBD201209PGH220N	22	100	0.02	4000
GBD201209PGH270N	27	100	0.02	4000
GBD201209PGH300N	30	100	0.02	4000
GBD201209PGH310N	31	100	0.02	4000
GBD201209PGH400N	40	100	0.02	3000
GBD201209PGH500N	50	100	0.02	3000
GBD201209PGH600N	60	100	0.03	3000
GBD201209PGH700N	70	100	0.04	3000
GBD201209PGH750N	75	100	0.04	3000
GBD201209PGH800N	80	100	0.04	3000
GBD201209PGH900N	90	100	0.04	3000
GBD201209PGH101N	100	100	0.04	3000
GBD201209PGH121N	120	100	0.04	3000
GBD201209PGH151N	150	100	0.05	2500
GBD201209PGH181N	180	100	0.05	2500
GBD201209PGH201N	200	100	0.05	2500
GBD201209PGH221N	220	100	0.08	2000
GBD201209PGH301N	300	100	0.08	2000
GBD201209PGH331N	330	100	0.08	2000
GBD201209PGH401N	400	100	0.10	2000
GBD201209PGH501N	500	100	0.10	2000
GBD201209PGH601N	600	100	0.10	2000
GBD201209PGH102N	1000	100	0.12	1500
GBD201209PGH152N	1500	100	0.30	1000

* Rated Current based on increasing product temperature : Current when temperature of the product reaches +40 deg.C .

Product Series : GBD	Brand : GOTREND
File Version : GBD-SERIES-V5R7	Editor : Teddy Sun
Established Date : 2009.07.24	Description : Multilayer Ferrite Chip Bead
Latest Edit Date : 2020.11.06	Product Type : <input checked="" type="checkbox"/> Standard <input type="checkbox"/> Customize

GBD321611PGH-SERIES

Dimension [mm] :



Size	A	B	C	D	E(Ref.)	F(Ref.)	G(Ref.)
321611	3.20+/-0.20	1.60+/-0.20	1.10+/-0.20	0.70+/-0.30	4.40	2.20	2.06

Electrical Characteristics :

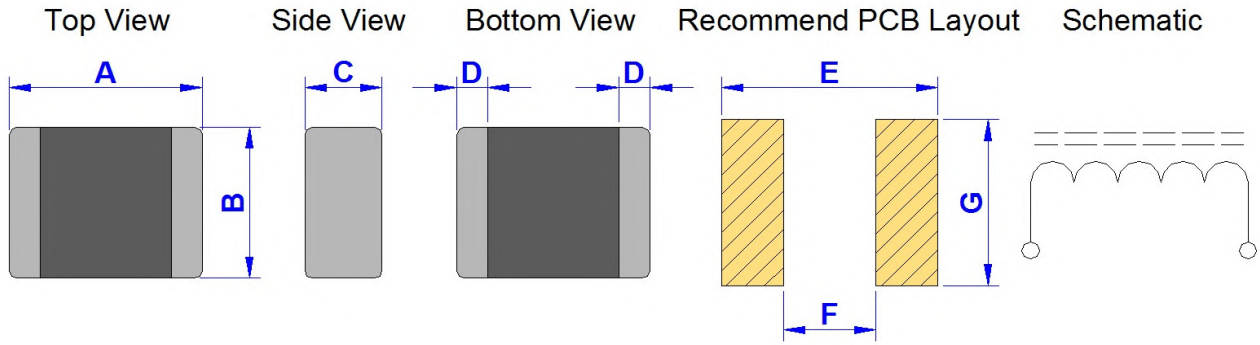
Part No.	Z - Value (Ohm) (+/- 25%)	Test Freq. (MHz) / 0.5V	DCR (Ohm) (Max.)	Rated Current (mA) (Max.)
GBD321611PGH110N	11 ± 25%	100	0.015	6000
GBD321611PGH190N	19 ± 25%	100	0.015	6000
GBD321611PGH260N	26 ± 25%	100	0.015	6000
GBD321611PGH300N	30 ± 25%	100	0.015	4000
GBD321611PGH310N	31 ± 25%	100	0.015	4000
GBD321611PGH320N	32 ± 25%	100	0.015	4000
GBD321611PGH500N	50 ± 25%	100	0.020	4000
GBD321611PGH600N	60 ± 25%	100	0.020	4000
GBD321611PGH800N	80 ± 25%	100	0.025	3000
GBD321611PGH900N	90 ± 25%	100	0.030	3000
GBD321611PGH101N	100 ± 25%	100	0.030	3000
GBD321611PGH121N	120 ± 25%	100	0.030	3000
GBD321611PGH151N	150 ± 25%	100	0.040	2000
GBD321611PGH221N	220 ± 25%	100	0.050	2000
GBD321611PGH301N	300 ± 25%	100	0.060	2000
GBD321611PGH401N	400 ± 25%	100	0.065	2500
GBD321611PGH501N	500 ± 25%	100	0.070	2500
GBD321611PGH601N	600 ± 25%	100	0.100	2000
GBD321611PGH102N	1000 ± 25%	50	0.300	1000
GBD321611PGH122N	1200 ± 25%	50	0.180	1000
GBD321611PGH152N	1500 ± 25%	50	0.200	800

* Rated Current based on increasing product temperature : Current when temperature of the product reaches +40 deg.C .

Product Series : GBD	Brand : GOTREND
File Version : GBD-SERIES-V5R7	Editor : Teddy Sun
Established Date : 2009.07.24	Description : Multilayer Ferrite Chip Bead
Latest Edit Date : 2020.11.06	Product Type : <input checked="" type="checkbox"/> Standard <input type="checkbox"/> Customize

GBD322513PGH-SERIES

Dimension [mm] :



Size	A	B	C	D	E(Ref.)	F(Ref.)	G(Ref.)
322513	3.20+/-0.20	2.50+/-0.20	1.30+/-0.20	0.80+/-0.20	4.06	2.13	2.74

Electrical Characteristics :

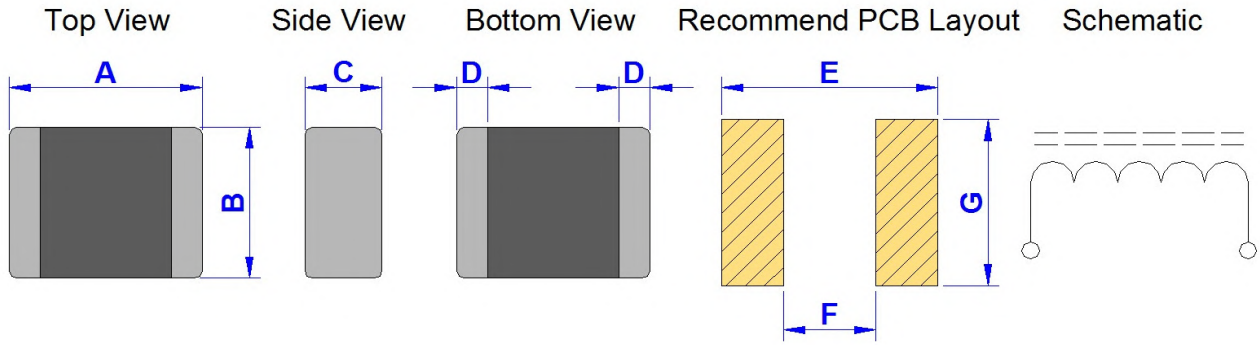
Part No.	Z - Value (Ohm) (+/- 25%)	Test Freq. (MHz) / 0.5V	DCR (Ohm) (Max.)	Rated Current (mA) (Max.)
GBD322513PGH600N	60 ± 25%	100	0.025	4000
GBD322513PGH900N	90 ± 25%	100	0.025	3000

* Rated Current based on increasing product temperature : Current when temperature of the product reaches +40 deg.C .

Product Series : GBD	Brand : GOTREND
File Version : GBD-SERIES-V5R7	Editor : Teddy Sun
Established Date : 2009.07.24	Description : Multilayer Ferrite Chip Bead
Latest Edit Date : 2020.11.06	Product Type : <input checked="" type="checkbox"/> Standard <input type="checkbox"/> Customize

GBD451616PGH-SERIES

Dimension [mm] :



Size	A	B	C	D	E(Ref.)	F(Ref.)	G(Ref.)
451616	4.50+/-0.20	1.60+/-0.20	1.60+/-0.20	0.80+/-0.20	5.70	2.70	2.24

Electrical Characteristics :

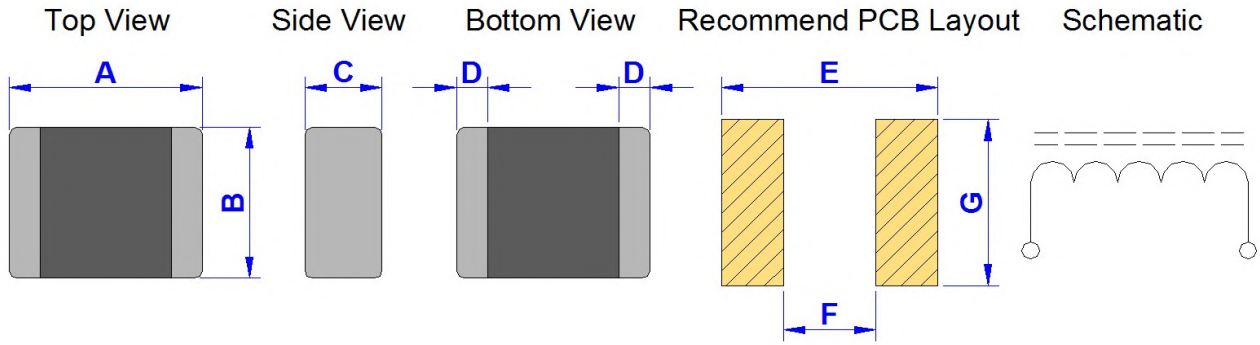
Part No.	Z - Value (Ohm) (+/- 25%)	Test Freq. (MHz) / 0.5V	DCR (Ohm) (Max.)	Rated Current (mA) (Max.)
GBD451616PGH500N	50 ± 25%	100	0.020	6000
GBD451616PGH600N	60 ± 25%	100	0.020	5000
GBD451616PGH800N	80 ± 25%	100	0.025	4000
GBD451616PGH151N	150 ± 25%	100	0.100	2000

* Rated Current based on increasing product temperature : Current when temperature of the product reaches +40 deg.C .

Product Series : GBD	Brand : GOTREND
File Version : GBD-SERIES-V5R7	Editor : Teddy Sun
Established Date : 2009.07.24	Description : Multilayer Ferrite Chip Bead
Latest Edit Date : 2020.11.06	Product Type : <input checked="" type="checkbox"/> Standard <input type="checkbox"/> Customize

GBD453215PGH-SERIES

Dimension [mm] :



Size	A	B	C	D	E(Ref.)	F(Ref.)	G(Ref.)
453215	4.50+/-0.20	3.20+/-0.20	1.50+/-0.20	0.80+/-0.20	5.90	2.57	4.22

Electrical Characteristics :

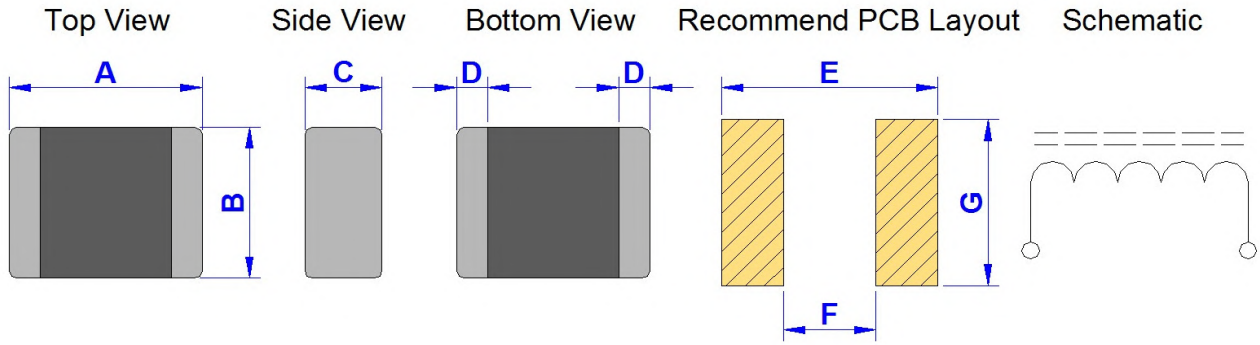
Part No.	Z - Value (Ohm) (+/- 25%)	Test Freq. (MHz) / 0.5V	DCR (Ohm) (Max.)	Rated Current (mA) (Max.)
GBD453215PGH700N	70 ± 25%	100	0.030	6000
GBD453215PGH121N	120 ± 25%	100	0.030	4000

* Rated Current based on increasing product temperature : Current when temperature of the product reaches +40 deg.C .

Product Series : GBD	Brand : GOTREND
File Version : GBD-SERIES-V5R7	Editor : Teddy Sun
Established Date : 2009.07.24	Description : Multilayer Ferrite Chip Bead
Latest Edit Date : 2020.11.06	Product Type : <input checked="" type="checkbox"/> Standard <input type="checkbox"/> Customize

GBD565015PGH-SERIES

Dimension [mm] :



Size	A	B	C	D	E(Ref.)	F(Ref.)	G(Ref.)
565015	5.59+/-0.51	5.08+/-0.25	1.50+/-0.20	0.51 ~ 1.01	9.19	3.05	6.10

Electrical Characteristics :

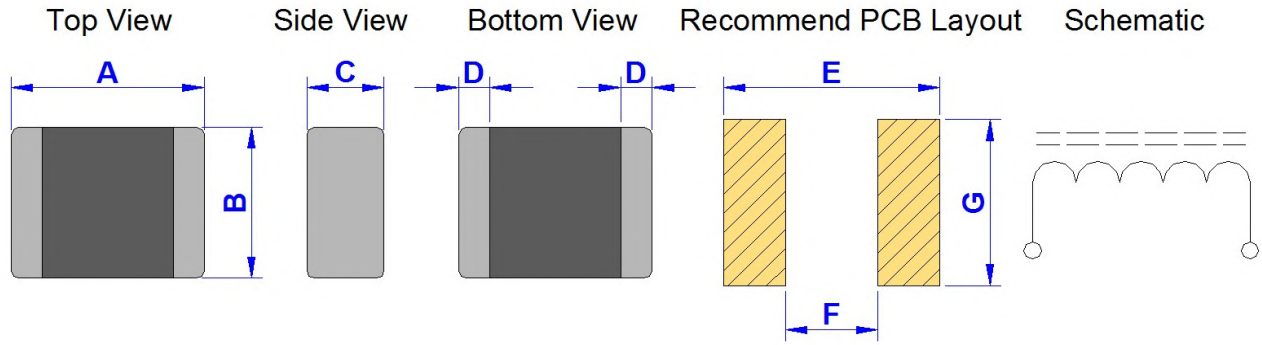
Part No.	Z - Value (Ohm) (+/- 25%)	Test Freq. (MHz) / 0.5V	DCR (Ohm) (Max.)	Rated Current (mA) (Max.)
GBD565015PGH171N	170 ± 25%	100	0.030	4000

* Rated Current based on increasing product temperature : Current when temperature of the product reaches +40 deg.C .

Product Series : GBD	Brand : GOTREND
File Version : GBD-SERIES-V5R7	Editor : Teddy Sun
Established Date : 2009.07.24	Description : Multilayer Ferrite Chip Bead
Latest Edit Date : 2020.11.06	Product Type : <input checked="" type="checkbox"/> Standard <input type="checkbox"/> Customize

GBD565018PGH-SERIES

Dimension [mm] :



Size	A	B	C	D	E(Ref.)	F(Ref.)	G(Ref.)
565018	5.59+/-0.51	5.08+/-0.25	1.80+/-0.25	0.51 ~ 1.01	9.19	3.05	6.10

Electrical Characteristics :

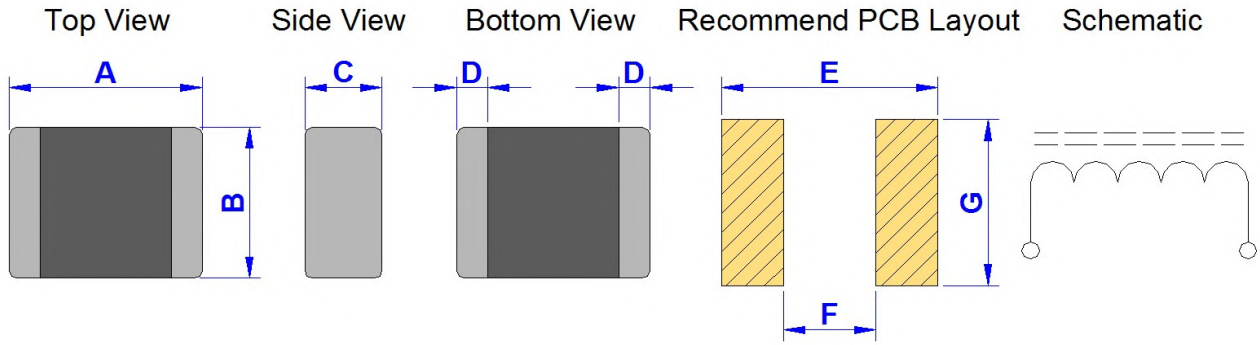
Part No.	Z - Value (Ohm) (+/- 25%)	Test Freq. (MHz) / 0.5V	DCR (Ohm) (Max.)	Rated Current (mA) (Max.)
GBD565018PGH101N	100 ± 25%	100	0.006	6000
GBD565018PGH151N	150 ± 25%	100	0.015	5000
GBD565018PGH181N	180 ± 25%	100	0.020	5000
GBD565018PGH251N	250 ± 25%	100	0.015	4000

* Rated Current based on increasing product temperature : Current when temperature of the product reaches +40 deg.C .

Product Series : GBD	Brand : GOTREND
File Version : GBD-SERIES-V5R7	Editor : Teddy Sun
Established Date : 2009.07.24	Description : Multilayer Ferrite Chip Bead
Latest Edit Date : 2020.11.06	Product Type : <input checked="" type="checkbox"/> Standard <input type="checkbox"/> Customize

GBD565032PGH-SERIES

Dimension [mm] :



Size	A	B	C	D	E(Ref.)	F(Ref.)	G(Ref.)
565032	5.59+/-0.51	5.08+/-0.25	3.20+/-0.25	0.51 ~ 1.01	9.19	3.05	6.10

Electrical Characteristics :

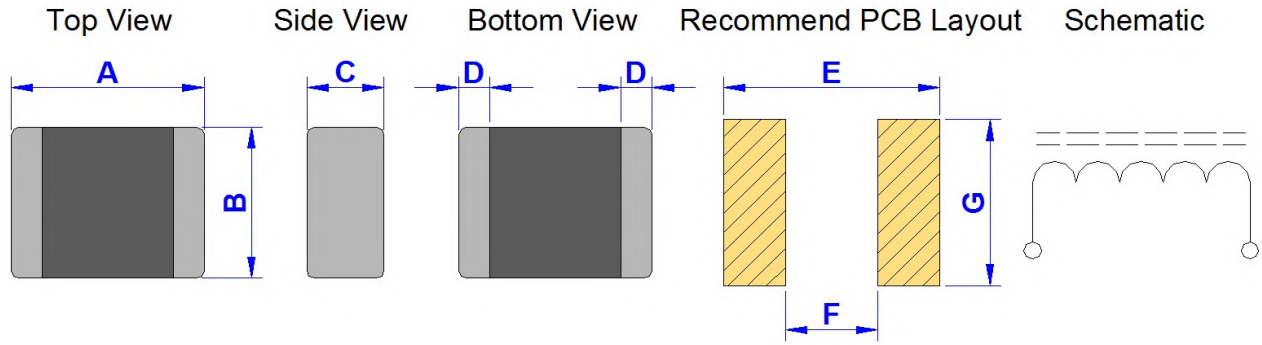
Part No.	Z - Value (Ohm) (+/- 25%)	Test Freq. (MHz) / 0.5V	DCR (Ohm) (Max.)	Rated Current (mA) (Max.)
GBD565032PGH271N	270 ± 25%	100	0.035	4000
GBD565032PGH401N	400 ± 25%	100	0.030	4500

* Rated Current based on increasing product temperature : Current when temperature of the product reaches +40 deg.C .

Product Series : GBD	Brand : GOTREND
File Version : GBD-SERIES-V5R7	Editor : Teddy Sun
Established Date : 2009.07.24	Description : Multilayer Ferrite Chip Bead
Latest Edit Date : 2020.11.06	Product Type : <input checked="" type="checkbox"/> Standard <input type="checkbox"/> Customize

GBD100505PGF-SERIES

Dimension [mm] :



Size	A	B	C	D	E(Ref.)	F(Ref.)	G(Ref.)
100505	1.00+/-0.15	0.50+/-0.15	0.50+/-0.15	0.25+/-0.15	1.10	0.40	0.60

Electrical Characteristics :

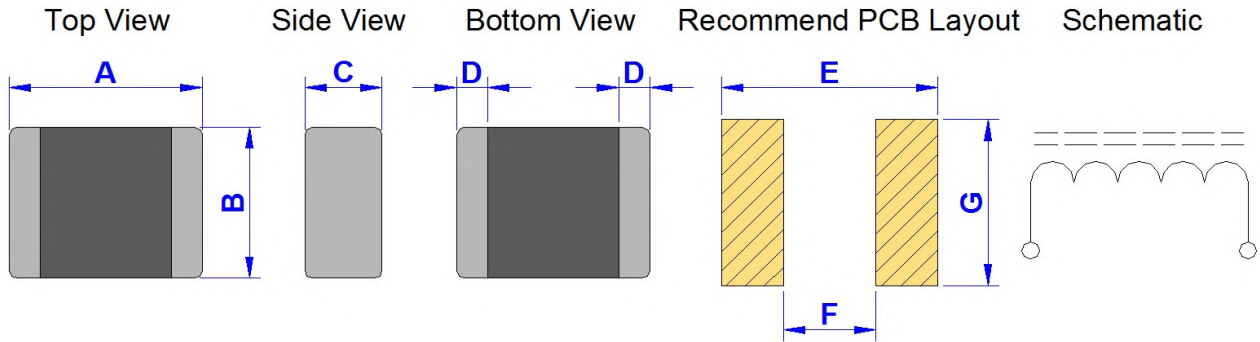
Part No.	Impedance (Ohm +/- 25%) @100MHz	Impedance (Ohm +/- 40%) @1GHz	DCR (Ohm) (Max.)	Rated Current (mA) (Max.)
GBD100505PGF201N	200	420	0.70	200
GBD100505PGF221N	220	420	0.70	500
GBD100505PGF301N	300	560	0.80	200
GBD100505PGF331N	330	560	0.80	200
GBD100505PGF470N	470	1000	1.00	100
GBD100505PGF601N	600	1100	1.20	100
GBD100505PGF102N	1000	1700	1.60	100

* Rated Current based on increasing product temperature : Current when temperature of the product reaches +40 deg.C .

Product Series : GBD	Brand : GOTREND
File Version : GBD-SERIES-V5R7	Editor : Teddy Sun
Established Date : 2009.07.24	Description : Multilayer Ferrite Chip Bead
Latest Edit Date : 2020.11.06	Product Type : <input checked="" type="checkbox"/> Standard <input type="checkbox"/> Customize

GBD160808PGF-SERIES

Dimension [mm] :



Size	A	B	C	D	E(Ref.)	F(Ref.)	G(Ref.)
160808	1.60+/-0.15	0.80+/-0.15	0.80+/-0.15	0.40+/-0.20	1.80	0.60	1.00

Electrical Characteristics :

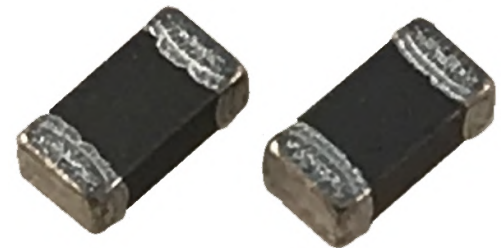
Part No.	Impedance (Ohm +/- 25%) @100MHz	Impedance (Ohm +/- 40%) @1GHz	DCR (Ohm) (Max.)	Rated Current (mA) (Max.)
GBD160808PGF121N	120	140	0.25	300
GBD160808PGF221N	220	300	0.50	200
GBD160808PGF301N	300	400	0.50	200
GBD160808PGF331N	330	400	0.50	200
GBD160808PGF471N	470	500	0.70	200
GBD160808PGF601N	600	600	0.90	100
GBD160808PGF801N	800	1000	1.50	50
GBD160808PGF102N	1000	1200	1.50	50
GBD160808PGF122N	1200	1000	1.50	50

* Rated Current based on increasing product temperature : Current when temperature of the product reaches +40 deg.C .

Product Series : GBL	Brand : GOTREND
File Version : GBL-SERIES-V3R2	Editor : Teddy Sun
Established Date : 1997.09.28	Description : Multilayer Ferrite Chip Ind
Latest Edit Date : 2020.10.29	Product Type : <input checked="" type="checkbox"/> Standard <input type="checkbox"/> Customize

Features & Application :

- * Bead inductor for power energy storage or noise suppressor.
- * Fit for power line & signal line circuit.
- * To help you go pass the CE/FCC standard.
- * Mobil Device / Handheld Device / LowProfile Device / Panel...



(Picture for reference only)

Part No. Example :

PN	:	GBL	321611	P	-	2R7	K
-----		-----	-----	---		-----	----
ID	:	1	2	3		4	5
1	:	GOTREND BRAND & PRODUCT TYPE					
2	:	Dimension - Length 3.2mm X Width 1.6mmX T1.1mm					
3	:	Pb free < 1000ppm					
4	:	[L] Value - Inductance 2R7= 2.7uH					
5	:	Tolerance Code - S = +/- 0.3 nH, J = 5%, K = 10% , M = 20%					

Basic Information :

Made in	China
Pin Foot	SMD
Shielding	Yes
J-STD-020	MSL Level 1
RoHS	Compliant
REACH	Compliant
Halogen	Free

Operating & Storage Condition :

- * Operating Temp -40 ~ +125 deg.C (Including self - temperature rise)
- * Storage Temp 1. -10 ~ +45 deg.C , 50 ~ 60% RH (Product with taping)
2. -40 ~ +125 deg.C (On board)
- * Storage Life Time 12 Month (Less than 40 deg.C and 60% RH)

Attention & Caution :

- * Keep out of Splashing water or salt water
- * Avoid Toxic Gas (Hydrogen sulfide, Sulfurous acid, Chlorine, Ammonia)
- * Avoid Vibrations or shocks which exceed the specified condition
- * Avoid Dew condense
- * Avoid Layout near the edge of PCB
- * Avoid Over flexure after SMT mounting & PCBA
- * Pin foot or SMD pad solderability: Pb free type is best within 6 months after delivery
- * Humidity sensitive , IPC/JEDEC J-STD-020 MSL if over Level 1, recommend bake 30mins@150 degree before PCBA
- * Caution for human life relative applications : PLS contact & consult with GOTREND team in design stage.

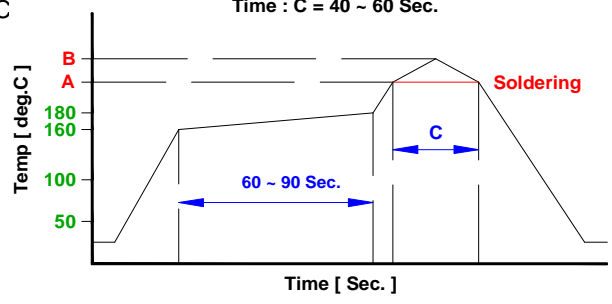


Test Condition :

- * Equipment HP4284A , HP42841A - L , Q , DCR , IDC
HP8753D Network analyzer - SRF
- * Standard Atmosphere Conditions:
Ambient Temperature 20 ± 15 deg.C
Humidity RH 65 ± 20%
- * If there may be any doubt on the test result ,
Measurement shall be made within the following limits:
Ambient Temperature 25 ± 5 deg.C
Humidity RH 75 ± 10%

Recommend IR Reflow Curve : GTX-IR-FILE001

Lead Free Solder : A = 217 deg.C , B = 245+/-5 deg.C
Time : C = 40 ~ 60 Sec.

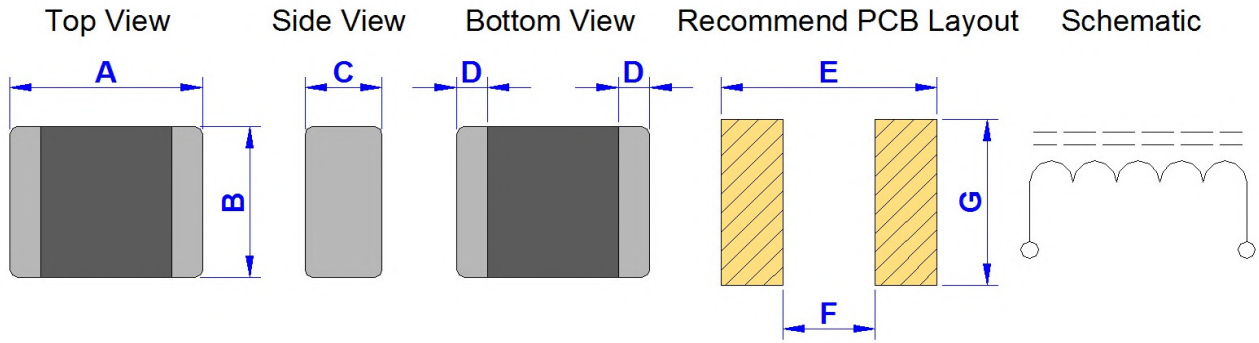


**Notice : Iron Soldering , Solder < 30 Watt ,
Direct touch the terminal x 3 Sec. Max. @ 350 deg.C**

Product Series : GBL	Brand : GOTREND
File Version : GBL-SERIES-V3R2	Editor : Teddy Sun
Established Date : 1997.09.28	Description : Multilayer Ferrite Chip Ind
Latest Edit Date : 2020.10.29	Product Type : <input checked="" type="checkbox"/> Standard <input type="checkbox"/> Customize

GBL100505P-SERIES

Dimension [mm] :



Size	A	B	C	D	E(Ref.)	F(Ref.)	G(Ref.)
100505	1.00+/-0.15	0.50+/-0.15	0.50+/-0.15	0.25+/-0.15	1.10	0.40	0.60

Electrical Characteristics :

Part No.	Inductance (uH)	Q (Min.)	L&Q Test Freq. (MHz)	SRF (MHz) Min.	DCR (ohm) (Max.)	IDC (mA) (Max.)
GBL100505P-R22 <input type="checkbox"/>	0.22 ± 20%	10	25	110	1.20	25
GBL100505P-1R0 <input type="checkbox"/>	1.00 ± 20%	20	10	40	1.00	15
GBL100505P-1R8 <input type="checkbox"/>	1.80 ± 20%	20	10	30	1.45	15
GBL100505P-2R2 <input type="checkbox"/>	2.20 ± 20%	20	10	28	1.70	10

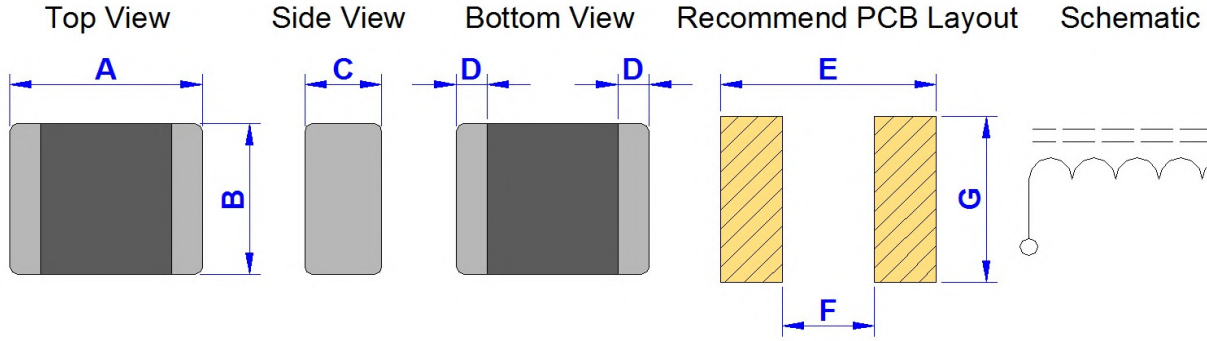
* Tolerance Code: J=± 5%, K=± 10%, M=± 20% , N=± 25%

* IDC based on increasing product temperature : Current when temperature of the product reaches +40 deg.C .

Product Series : GBL	Brand : GOTREND
File Version : GBL-SERIES-V3R2	Editor : Teddy Sun
Established Date : 1997.09.28	Description : Multilayer Ferrite Chip Ind
Latest Edit Date : 2020.10.29	Product Type : <input checked="" type="checkbox"/> Standard <input type="checkbox"/> Customize

GBL160808P-SERIES

Dimension [mm] :



Size	A	B	C	D	E(Ref.)	F(Ref.)	G(Ref.)
160808	1.60+/-0.15	0.80+/-0.15	0.80+/-0.15	0.40+/-0.20	1.80	0.60	1.00

Electrical Characteristics :

Part No.	Inductance (uH)	Q (Min.)	L&Q Test Freq. (MHz)	S.R.F (MHz) (Min.)	DCR (ohm) (Max.)	IDC (mA) (Max.)
GBL160808P-47N <input type="checkbox"/>	0.047 ± 20%	20	50	260	0.30	50
GBL160808P-68N <input type="checkbox"/>	0.068 ± 20%	20	50	250	0.30	50
GBL160808P-82N <input type="checkbox"/>	0.082 ± 20%	20	50	245	0.30	50
GBL160808P-R10 <input type="checkbox"/>	0.10 ± 20% or 10%	30	25	240	0.50	50
GBL160808P-R12 <input type="checkbox"/>	0.12 ± 20% or 10%	30	25	205	0.50	50
GBL160808P-R15 <input type="checkbox"/>	0.15 ± 20% or 10%	30	25	180	0.60	50
GBL160808P-R18 <input type="checkbox"/>	0.18 ± 20% or 10%	30	25	165	0.60	50
GBL160808P-R22 <input type="checkbox"/>	0.22 ± 20% or 10%	30	25	150	0.80	50
GBL160808P-R27 <input type="checkbox"/>	0.27 ± 20% or 10%	30	25	136	0.80	50
GBL160808P-R33 <input type="checkbox"/>	0.33 ± 20% or 10%	30	25	125	0.85	35
GBL160808P-R39 <input type="checkbox"/>	0.39 ± 20% or 10%	30	25	110	1.00	35
GBL160808P-R47 <input type="checkbox"/>	0.47 ± 20% or 10%	30	25	105	1.35	35
GBL160808P-R56 <input type="checkbox"/>	0.56 ± 20% or 10%	30	25	95	1.55	35
GBL160808P-R68 <input type="checkbox"/>	0.68 ± 20% or 10%	30	25	85	1.70	35
GBL160808P-R82 <input type="checkbox"/>	0.82 ± 20% or 10%	30	25	75	2.10	35
GBL160808P-1R0 <input type="checkbox"/>	1.00 ± 20% or 10%	35	10	65	0.60	25
GBL160808P-1R2 <input type="checkbox"/>	1.20 ± 20% or 10%	35	10	60	0.80	25
GBL160808P-1R5 <input type="checkbox"/>	1.50 ± 20% or 10%	35	10	55	0.80	25
GBL160808P-1R8 <input type="checkbox"/>	1.80 ± 20% or 10%	35	10	50	0.95	25
GBL160808P-2R2 <input type="checkbox"/>	2.20 ± 20% or 10%	35	10	45	1.15	15
GBL160808P-2R7 <input type="checkbox"/>	2.70 ± 20% or 10%	35	10	40	1.35	15
GBL160808P-3R0 <input type="checkbox"/>	3.00 ± 20% or 10%	35	10	40	1.55	15
GBL160808P-3R3 <input type="checkbox"/>	3.30 ± 20% or 10%	35	10	38	1.55	15
GBL160808P-3R9 <input type="checkbox"/>	3.90 ± 20% or 10%	35	10	36	1.70	15
GBL160808P-4R7 <input type="checkbox"/>	4.70 ± 20% or 10%	35	10	33	2.10	15
GBL160808P-5R6 <input type="checkbox"/>	5.60 ± 20% or 10%	35	4	22	1.55	5

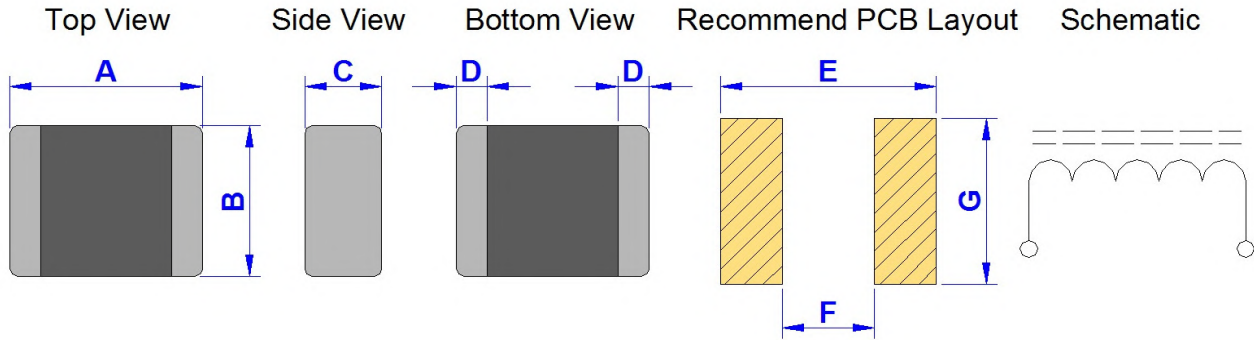
* Tolerance Code: J=± 5%, K=± 10%, M=± 20% , N=± 25%

* IDC based on increasing product temperature : Current when temperature of the product reaches +40 deg.C .

Product Series : GBL	Brand : GOTREND
File Version : GBL-SERIES-V3R2	Editor : Teddy Sun
Established Date : 1997.09.28	Description : Multilayer Ferrite Chip Ind
Latest Edit Date : 2020.10.29	Product Type : <input checked="" type="checkbox"/> Standard <input type="checkbox"/> Customize

GBL160808P-SERIES

Dimension [mm] :



Size	A	B	C	D	E(Ref.)	F(Ref.)	G(Ref.)
160808	1.60+/-0.15	0.80+/-0.15	0.80+/-0.15	0.40+/-0.20	1.80	0.60	1.00

Electrical Characteristics :

Part No.	Inductance (uH)	Q (Min.)	L&Q Test Freq. (MHz)	S.R.F (MHz) (Min.)	DCR (ohm) (Max.)	IDC (mA) (Max.)
GBL160808P-6R8 <input type="checkbox"/>	6.80 ± 20% or 10%	35	4	20	1.70	5
GBL160808P-8R2 <input type="checkbox"/>	8.20 ± 20% or 10%	30	4	18	2.10	5
GBL160808P-100 <input type="checkbox"/>	10.00 ± 20% or 10%	30	2	17	2.55	3
GBL160808P-120 <input type="checkbox"/>	12.00 ± 20% or 10%	30	1	15	2.75	3
GBL160808P-150 <input type="checkbox"/>	15.00 ± 20% or 10%	20	1	14	2.85	1
GBL160808P-180 <input type="checkbox"/>	18.00 ± 20% or 10%	20	1	13	1.80	1

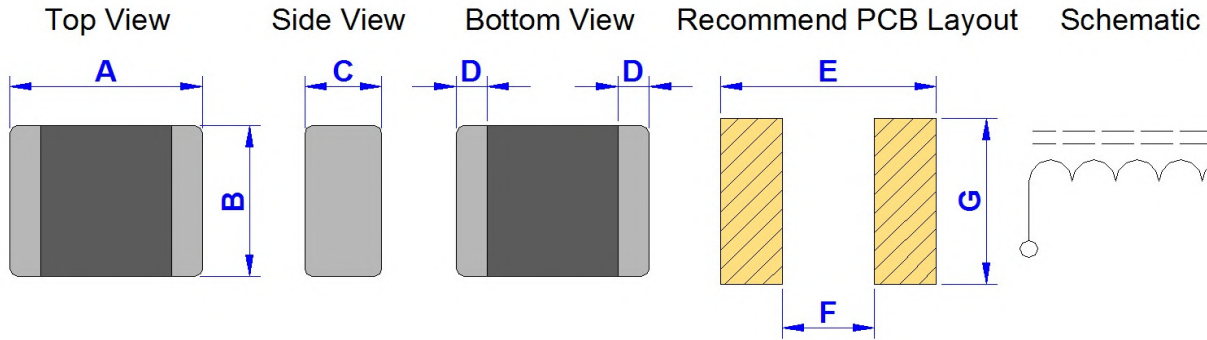
* Tolerance Code: J=± 5%, K=± 10%, M=± 20% , N=± 25%

* IDC based on increasing product temperature : Current when temperature of the product reaches +40 deg.C .

Product Series : GBL	Brand : GOTREND
File Version : GBL-SERIES-V3R2	Editor : Teddy Sun
Established Date : 1997.09.28	Description : Multilayer Ferrite Chip Ind
Latest Edit Date : 2020.10.29	Product Type : <input checked="" type="checkbox"/> Standard <input type="checkbox"/> Customize

GBL201209P-SERIES

Dimension [mm] :



Size	A	B	C	D	E(Ref.)	F(Ref.)	G(Ref.)
201209	2.00+/-0.20	1.25+/-0.20	0.90+/-0.20	0.50+/-0.30	2.40	0.80	1.45

Electrical Characteristics :

Part No.	Inductance (uH)	Q (Min.)	L&Q Test Freq. (MHz)	S.R.F (MHz) (Min.)	DCR (ohm) (Max.)	IDC (mA) (Max.)
GBL201209P-47N <input type="checkbox"/>	0.047 ± 20%	25	50	320	0.20	300
GBL201209P-68N <input type="checkbox"/>	0.068 ± 20%	25	50	280	0.20	300
GBL201209P-82N <input type="checkbox"/>	0.082 ± 20%	25	50	255	0.20	300
GBL201209P-R10 <input type="checkbox"/>	0.10 ± 20% or 10%	30	25	235	0.30	250
GBL201209P-R12 <input type="checkbox"/>	0.12 ± 20% or 10%	30	25	220	0.30	250
GBL201209P-R15 <input type="checkbox"/>	0.15 ± 20% or 10%	30	25	200	0.40	250
GBL201209P-R18 <input type="checkbox"/>	0.18 ± 20% or 10%	30	25	185	0.40	250
GBL201209P-R22 <input type="checkbox"/>	0.22 ± 20% or 10%	30	25	170	0.50	250
GBL201209P-R27 <input type="checkbox"/>	0.27 ± 20% or 10%	30	25	150	0.50	250
GBL201209P-R33 <input type="checkbox"/>	0.33 ± 20% or 10%	30	25	145	0.55	250
GBL201209P-R39 <input type="checkbox"/>	0.39 ± 20% or 10%	30	25	135	0.65	250
GBL201209P-R47 <input type="checkbox"/>	0.47 ± 20% or 10%	30	25	125	0.65	250
GBL201209P-R56 <input type="checkbox"/>	0.56 ± 20% or 10%	30	25	115	0.75	150
GBL201209P-R68 <input type="checkbox"/>	0.68 ± 20% or 10%	30	25	105	0.80	150
GBL201209P-R82 <input type="checkbox"/>	0.82 ± 20% or 10%	30	25	100	1.00	150
GBL201209P-1R0 <input type="checkbox"/>	1.00 ± 20% or 10%	45	10	75	0.45	50
GBL201209P-1R2 <input type="checkbox"/>	1.20 ± 20% or 10%	45	10	65	0.50	50
GBL201209P-1R5 <input type="checkbox"/>	1.50 ± 20% or 10%	45	10	60	0.50	50
GBL201209P-1R8 <input type="checkbox"/>	1.80 ± 20% or 10%	45	10	55	0.60	50
GBL201209P-2R2 <input type="checkbox"/>	2.20 ± 20% or 10%	45	10	50	0.65	30
GBL201209P-3R3 <input type="checkbox"/>	3.30 ± 20% or 10%	45	10	41	0.80	30
GBL201209P-4R7 <input type="checkbox"/>	4.70 ± 20% or 10%	45	10	35	1.00	30
GBL201209P-100 <input type="checkbox"/>	10.00 ± 20% or 10%	50	2	24	1.10	25

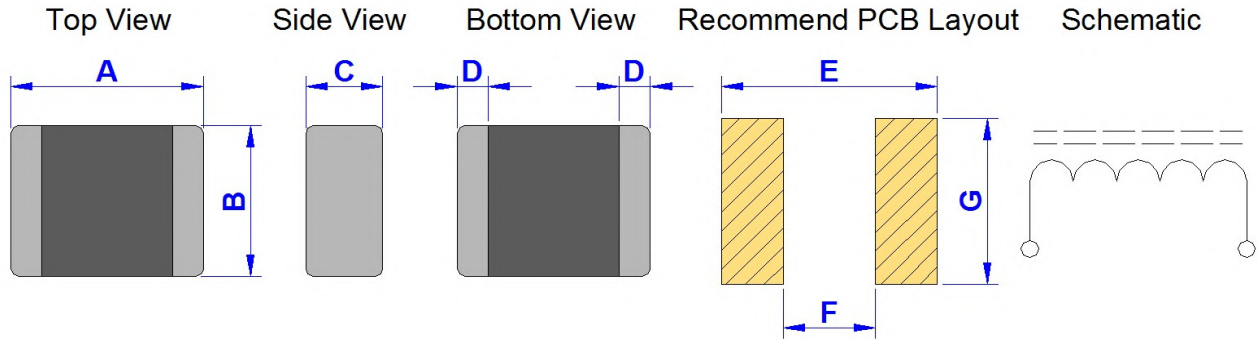
* Tolerance Code: J=± 5%, K=± 10%, M=± 20% , N=± 25%

* IDC based on increasing product temperature : Current when temperature of the product reaches +40 deg.C .

Product Series : GBL	Brand : GOTREND
File Version : GBL-SERIES-V3R2	Editor : Teddy Sun
Established Date : 1997.09.28	Description : Multilayer Ferrite Chip Ind
Latest Edit Date : 2020.10.29	Product Type : <input checked="" type="checkbox"/> Standard <input type="checkbox"/> Customize

GBL201212P-SERIES

Dimension [mm] :



Size	A	B	C	D	E(Ref.)	F(Ref.)	G(Ref.)
201212	2.00+/-0.20	1.25+/-0.20	1.25+/-0.20	0.50+/-0.30	2.40	0.80	1.45

Electrical Characteristics :

Part No.	Inductance (uH)	Q (Min.)	L&Q Test Freq. (MHz)	S.R.F (MHz) (Min.)	DCR (ohm) (Max.)	IDC (mA) (Max.)
GBL201212P-2R7 <input type="checkbox"/>	2.70 ± 20% or 10%	45	10	45	0.75	30
GBL201212P-3R3 <input type="checkbox"/>	3.30 ± 20% or 10%	45	10	41	0.80	30
GBL201212P-3R9 <input type="checkbox"/>	3.90 ± 20% or 10%	45	10	38	0.90	30
GBL201212P-4R7 <input type="checkbox"/>	4.70 ± 20% or 10%	45	10	35	1.00	30
GBL201212P-5R6 <input type="checkbox"/>	5.60 ± 20% or 10%	45	4	32	1.00	15
GBL201212P-6R8 <input type="checkbox"/>	6.80 ± 20% or 10%	45	4	29	1.00	15
GBL201212P-8R2 <input type="checkbox"/>	8.20 ± 20% or 10%	45	4	26	1.10	15
GBL201212P-100 <input type="checkbox"/>	10.00 ± 20% or 10%	45	2	24	1.15	15
GBL201212P-120 <input type="checkbox"/>	12.00 ± 20% or 10%	45	2	22	1.25	15
GBL201212P-150 <input type="checkbox"/>	15.00 ± 20% or 10%	30	1	19	0.80	5
GBL201212P-180 <input type="checkbox"/>	18.00 ± 20% or 10%	30	1	18	0.90	5
GBL201212P-220 <input type="checkbox"/>	22.00 ± 20% or 10%	30	1	16	1.10	5
GBL201212P-270 <input type="checkbox"/>	27.00 ± 20% or 10%	30	1	14	1.15	5
GBL201212P-330 <input type="checkbox"/>	33.00 ± 20% or 10%	30	0.4	13	1.25	5

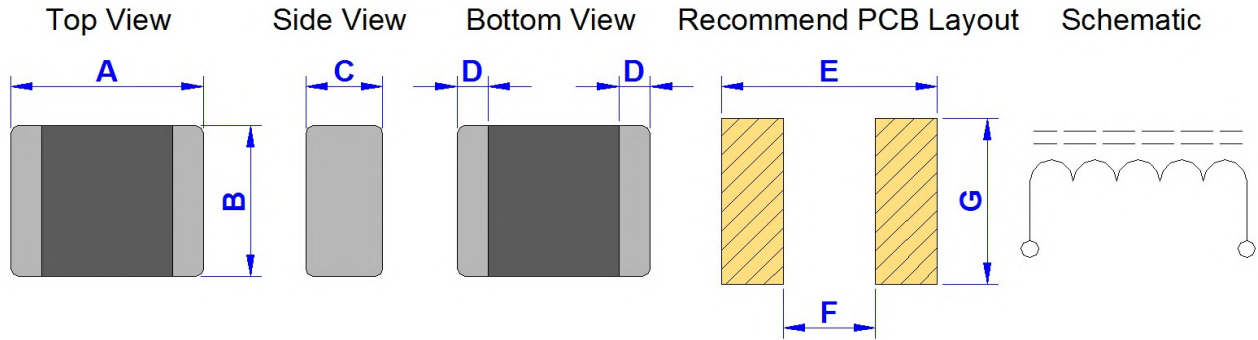
* Tolerance Code: J=± 5%, K=± 10%, M=± 20% , N=± 25%

* IDC based on increasing product temperature : Current when temperature of the product reaches +40 deg.C .

Product Series : GBL	Brand : GOTREND
File Version : GBL-SERIES-V3R2	Editor : Teddy Sun
Established Date : 1997.09.28	Description : Multilayer Ferrite Chip Ind
Latest Edit Date : 2020.10.29	Product Type : <input checked="" type="checkbox"/> Standard <input type="checkbox"/> Customize

GBL321611P-SERIES

Dimension [mm] :



Size	A	B	C	D	E(Ref.)	F(Ref.)	G(Ref.)
321611	3.20+/-0.20	1.60+/-0.20	1.10+/-0.20	0.50+/-0.30	3.40	2.00	1.80

Electrical Characteristics :

Part No.	Inductance (uH)	Q (Min.)	L&Q Test Freq. (MHz)	S.R.F (MHz) (Min.)	DCR (ohm) (Max.)	IDC (mA) (Max.)
GBL321611P-47N <input type="checkbox"/>	0.047 ± 20%	25	50	320	0.15	300
GBL321611P-68N <input type="checkbox"/>	0.068 ± 20%	25	50	280	0.25	300
GBL321611P-82N <input type="checkbox"/>	0.082 ± 20%	25	50	250	0.25	300
GBL321611P-R10 <input type="checkbox"/>	0.10 ± 20% or 10%	30	25	235	0.25	250
GBL321611P-R12 <input type="checkbox"/>	0.12 ± 20% or 10%	30	25	220	0.30	250
GBL321611P-R15 <input type="checkbox"/>	0.15 ± 20% or 10%	30	25	200	0.30	250
GBL321611P-R18 <input type="checkbox"/>	0.18 ± 20% or 10%	30	25	185	0.40	250
GBL321611P-R22 <input type="checkbox"/>	0.22 ± 20% or 10%	30	25	170	0.40	250
GBL321611P-R27 <input type="checkbox"/>	0.27 ± 20% or 10%	30	25	150	0.50	250
GBL321611P-R33 <input type="checkbox"/>	0.33 ± 20% or 10%	30	25	145	0.60	250
GBL321611P-R39 <input type="checkbox"/>	0.39 ± 20% or 10%	30	25	135	0.60	200
GBL321611P-R47 <input type="checkbox"/>	0.47 ± 20% or 10%	30	25	125	0.60	200
GBL321611P-R56 <input type="checkbox"/>	0.56 ± 20% or 10%	30	25	115	0.70	150
GBL321611P-R68 <input type="checkbox"/>	0.68 ± 20% or 10%	30	25	105	0.80	150
GBL321611P-R82 <input type="checkbox"/>	0.82 ± 20% or 10%	30	25	100	0.90	150
GBL321611P-1R0 <input type="checkbox"/>	1.00 ± 20% or 10%	45	10	75	0.40	100
GBL321611P-1R2 <input type="checkbox"/>	1.20 ± 20% or 10%	45	10	65	0.50	100
GBL321611P-1R5 <input type="checkbox"/>	1.50 ± 20% or 10%	45	10	60	0.50	80
GBL321611P-1R8 <input type="checkbox"/>	1.80 ± 20% or 10%	45	10	55	0.50	70
GBL321611P-2R2 <input type="checkbox"/>	2.20 ± 20% or 10%	45	10	50	0.60	60
GBL321611P-2R7 <input type="checkbox"/>	2.70 ± 20% or 10%	45	10	45	0.60	60
GBL321611P-3R3 <input type="checkbox"/>	3.30 ± 20% or 10%	45	10	41	0.70	60
GBL321611P-3R9 <input type="checkbox"/>	3.90 ± 20% or 10%	45	10	38	0.80	50
GBL321611P-4R7 <input type="checkbox"/>	4.70 ± 20% or 10%	45	10	35	0.90	50
GBL321611P-5R6 <input type="checkbox"/>	5.60 ± 20% or 10%	45	4	32	0.70	25
GBL321611P-6R8 <input type="checkbox"/>	6.80 ± 20% or 10%	45	4	29	0.80	25

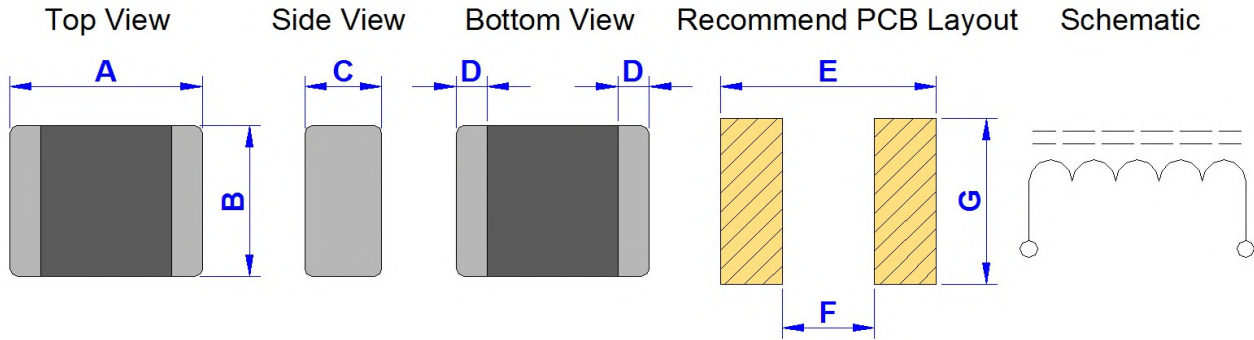
* Tolerance Code: J=± 5%, K=± 10%, M=± 20% , N=± 25%

* IDC based on increasing product temperature : Current when temperature of the product reaches +40 deg.C .

Product Series : GBL	Brand : GOTREND
File Version : GBL-SERIES-V3R2	Editor : Teddy Sun
Established Date : 1997.09.28	Description : Multilayer Ferrite Chip Ind
Latest Edit Date : 2020.10.29	Product Type : <input checked="" type="checkbox"/> Standard <input type="checkbox"/> Customize

GBL321611P-SERIES

Dimension [mm] :



Size	A	B	C	D	E(Ref.)	F(Ref.)	G(Ref.)
321611	3.20+/-0.20	1.60+/-0.20	1.10+/-0.20	0.50+/-0.30	3.40	2.00	1.80

Electrical Characteristics :

Part No.	Inductance (uH)	Q (Min.)	L&Q Test Freq. (MHz)	S.R.F (MHz) (Min.)	DCR (ohm) (Max.)	IDC (mA) (Max.)
GBL321611P-8R2 <input type="checkbox"/>	8.20 ± 20% or 10%	45	4	26	0.90	25
GBL321611P-100 <input type="checkbox"/>	10.00 ± 20% or 10%	45	2	24	1.00	25
GBL321611P-120 <input type="checkbox"/>	12.00 ± 20% or 10%	45	2	22	1.05	15
GBL321611P-150 <input type="checkbox"/>	15.00 ± 20% or 10%	35	1	19	0.70	5
GBL321611P-180 <input type="checkbox"/>	18.00 ± 20% or 10%	35	1	18	0.75	5
GBL321611P-220 <input type="checkbox"/>	22.00 ± 20% or 10%	35	1	16	0.90	5
GBL321611P-270 <input type="checkbox"/>	27.00 ± 20% or 10%	35	1	14	0.95	5
GBL321611P-330 <input type="checkbox"/>	33.00 ± 20% or 10%	35	0.4	13	1.05	5
GBL321611P-390 <input type="checkbox"/>	39.00 ± 20% or 10%	40	2	11	3.00	5
GBL321611P-470 <input type="checkbox"/>	47.00 ± 20% or 10%	40	2	10	3.40	5

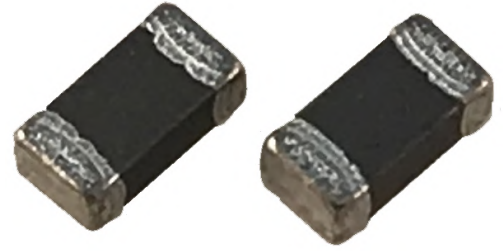
* Tolerance Code: J=± 5%, K=± 10%, M=± 20% , N=± 25%

* IDC based on increasing product temperature : Current when temperature of the product reaches +40 deg.C .

Product Series : GBLH	Brand : GOTREND
File Version : GBLH-SERIES-V2R5	Editor : Teddy Sun
Established Date : 2011.04.22	Description : High Current Multilayer Ferrite Chip Inductor
Latest Edit Date : 2020.10.29	Product Type : <input checked="" type="checkbox"/> Standard <input type="checkbox"/> Customize

Features & Application :

- * Bead inductor for power energy storage or noise suppressor.
- * Fit for power line & signal line circuit .
- * To help you go pass the CE/FCC standard.
- * Mobil Device / Handheld Device / LowProfile Device / Panel...



(Picture for reference only)

Part No. Example :

PN	:	GBLH	160808	P	<input type="checkbox"/>	-	4R7	M
-----		-----	-----	---	---		-----	---
ID	:	1	2	3	4		5	6
1	:	GOTREND BRAND & PRODUCT TYPE						
2	:	Dimension - L 1.6 mm X W 0.8 mm X T 0.8 mm						
3	:	Pb free < 1000ppm						
4	:	[A][L][Y] : Material Code						
5	:	[L] Value : Inductance 4R7 = 4.7 uH						
6	:	Tolerance Code - M = 20%						

Basic Information :

Made in	China
Pin Foot	SMD
Shielding	Yes
J-STD-020	MSL Level 1
RoHS	Compliant
REACH	Compliant
Halogen	Free

Operating & Storage Condition :

- * Operating Temp -40 ~ +125 deg.C (Including self - temperature rise)
- * Storage Temp 1. -10 ~ +45 deg.C , 50 ~ 60% RH (Product with taping)
2. -40 ~ +125 deg.C (On board)
- * Storage Life Time 6 Month (Less than 40 deg.C and 60% RH)

Attention & Caution :

- * Keep out of Splashing water or salt water
- * Avoid Toxic Gas (Hydrogen sulfide, Sulfurous acid, Chlorine, Ammonia)
- * Avoid Vibrations or shocks which exceed the specified condition
- * Avoid Dew condense
- * Avoid Layout near the edge of PCB
- * Avoid Over flexure after SMT mounting & PCBA



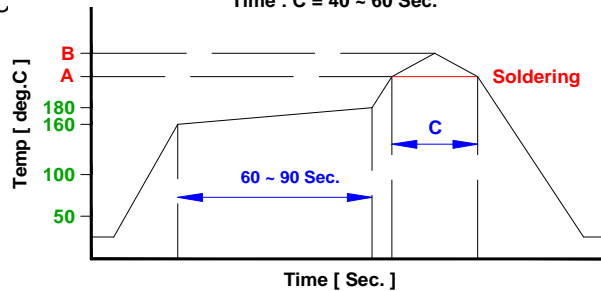
- * Pin foot or SMD pad solderability: Pb free type is best within 6 months after delivery
- * Humidity sensitive , IPC/JEDEC J-STD-020 MSL if over Level 1, recommend bake 30mins@150 degree before PCBA
- * Caution for human life relative applications : PLS contact & consult with GOTREND team in design stage.

Test Condition :

- * Equipment HP4284A , HP42841A - L , Q , DCR , IDC
HP8753D Network analyzer - SRF
- * Standard Atmosphere Conditions:
Ambient Temperature 20 ± 15 deg.C
Humidity RH 65 ± 20%
- * If there may be any doubt on the test result ,
Measurement shall be made within the following limits:
Ambient Temperature 25 ± 5 deg.C
Humidity RH 75 ± 10%

Recommend IR Reflow Curve : GTX-IR-FILE001

Lead Free Solder : A = 217 deg.C , B = 245+/-5 deg.C
Time : C = 40 ~ 60 Sec.

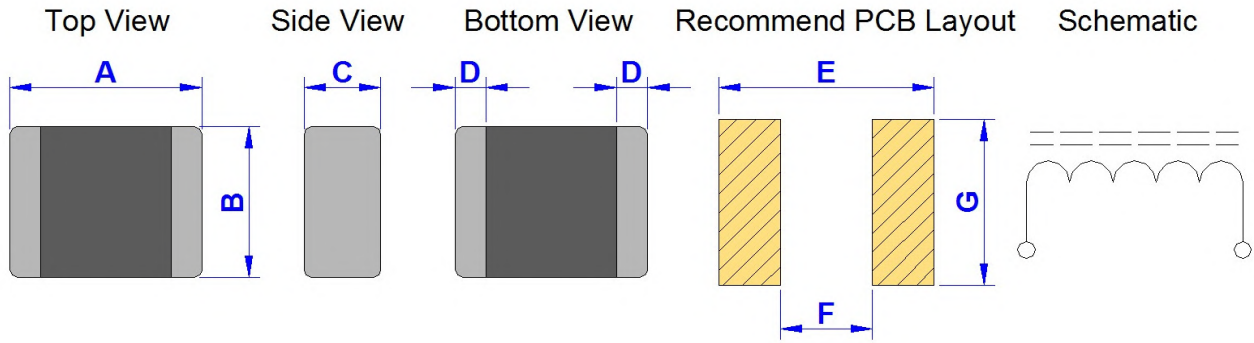


**Notice : Iron Soldering , Solder < 30 Watt ,
Direct touch the terminal x 3 Sec. Max. @ 350 deg.C**

Product Series : GBLH	Brand : GOTREND
File Version : GBLH-SERIES-V2R5	Editor : Teddy Sun
Established Date : 2011.04.22	Description : High Current Multilayer Ferrite Chip Inductor
Latest Edit Date : 2020.10.29	Product Type : <input checked="" type="checkbox"/> Standard <input type="checkbox"/> Customize

GBLH160808P□-SERIES

Dimension [mm] :



Size	A	B	C	D	E(Ref.)	F(Ref.)	G(Ref.)
160808	1.60+/-0.20	0.80+/-0.20	0.80+/-0.20	0.30+/-0.20	2.00	0.90	1.00

Electrical Characteristics :

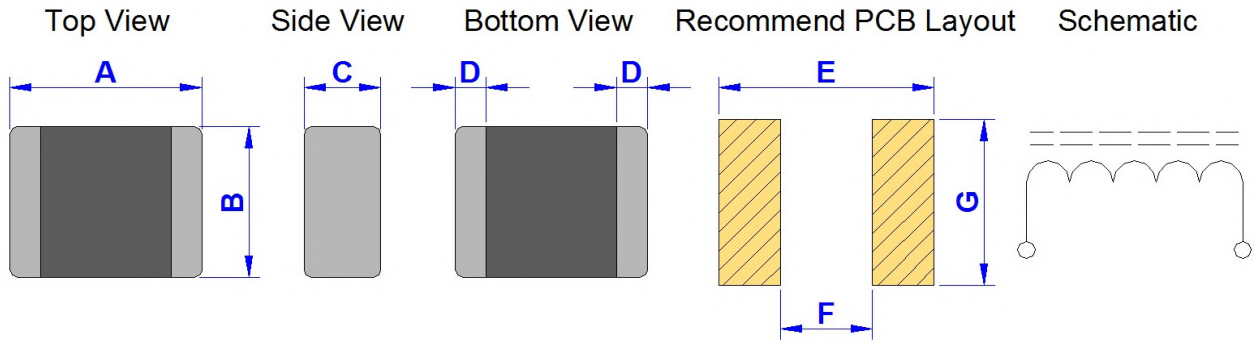
Part No.	Inductance (uH)	SRF (MHz) Min.	DCR (Ω)	Rated Current (mA) Max.
GBLH160808P-R22M	0.22+/-20%	150	0.8 Max.	50
GBLH160808P-4R7M	4.70+/-20%	35	2.10 Max.	110
GBLH160808P-100M	10.00+/-20%	17	1.85 Max.	60
GBLH160808PA-1R0M	1.00+/-20%	---	0.12 Max.	1500
GBLH160808PA-2R2M	2.20+/-20%	---	0.20 Max.	1000
GBLH160808PA-4R7M	4.70+/-20%	---	0.25 Max.	800
GBLH160808PY-2R2M	2.20+/-20%	---	0.30 Max.	650

- Inductance test freq. : @ 1MHz / 250mV
- The maximum rated current : The DC current value having temperature increased 40 deg.C after thru DC current 2 hours at ambient temperature.
- Regarding to the inductance variability of rated current , please refer to Inductance Vs. DC superposition characteristics.

Product Series : GBLH	Brand : GOTREND
File Version : GBLH-SERIES-V2R5	Editor : Teddy Sun
Established Date : 2011.04.22	Description : High Current Multilayer Ferrite Chip Inductor
Latest Edit Date : 2020.10.29	Product Type : <input checked="" type="checkbox"/> Standard <input type="checkbox"/> Customize

GBLH201206P-SERIES

Dimension [mm] :



Size	A	B	C	D	E(Ref.)	F(Ref.)	G(Ref.)
201206	2.00+/-0.20	1.25+/-0.20	0.60 max.	0.50+/-0.20	2.40	0.80	1.45

Electrical Characteristics :

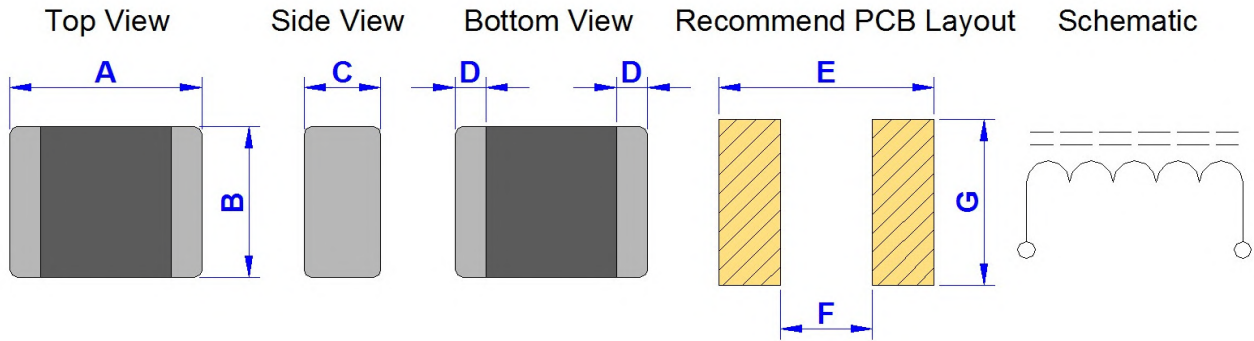
Part No.	Inductance (uH)	SRF (MHz) Min.	DCR (Ω)	Rated Current (mA) Max.
GBLH201206P-4R7M	4.70+/-20%	---	0.55+/-30%	300

- Inductance test freq. : @ 1MHz / 250mV
- The maximum rated current : The DC current value having temperature increased 40 deg.C after thru DC current 2 hours at ambient temperature.
- Regarding to the inductance variability of rated current , please refer to Inductance Vs. DC superposition characteristics.

Product Series : GBLH	Brand : GOTREND
File Version : GBLH-SERIES-V2R5	Editor : Teddy Sun
Established Date : 2011.04.22	Description : High Current Multilayer Ferrite Chip Inductor
Latest Edit Date : 2020.10.29	Product Type : <input checked="" type="checkbox"/> Standard <input type="checkbox"/> Customize

GBLH201209P□-SERIES

Dimension [mm] :



Size	A	B	C	D	E(Ref.)	F(Ref.)	G(Ref.)
201209	2.00+/-0.20	1.25+/-0.20	0.90+/-0.10	0.50+/-0.20	2.40	0.80	1.45

Electrical Characteristics :

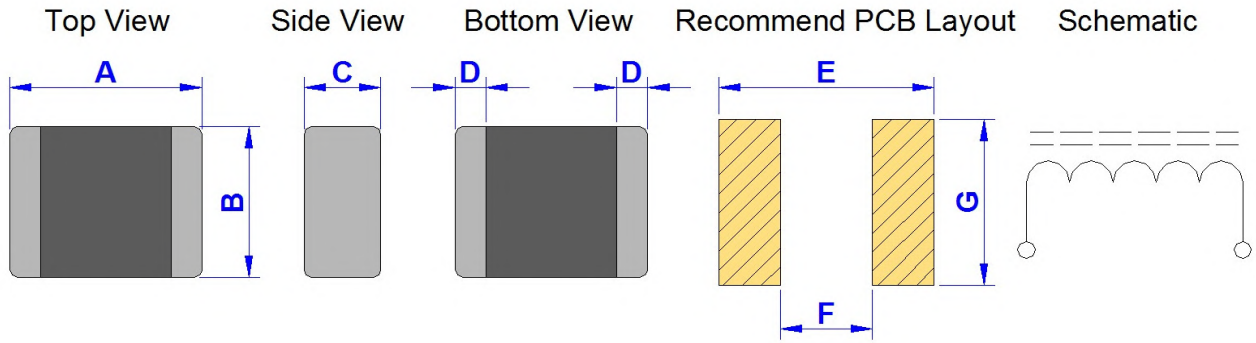
Part No.	Inductance (uH)	SRF (MHz) Min.	DCR (Ω)	Rated Current (mA) Max.
GBLH201209P-R47M	0.47+/-20%	100	0.10+/-25%	1100
GBLH201209P-1R0M	1.00+/-20%	90	0.16+/-25%	800
GBLH201209P-1R5M	1.50+/-20%	70	0.22+/-25%	700
GBLH201209P-2R2M	2.20+/-20%	50	0.25+/-25%	600
GBLH201209P-3R3M	3.30+/-20%	40	0.22+/-25%	500
GBLH201209P-4R7M	4.70+/-20%	30	0.30+/-25%	400
GBLH201209PA-1R0M	1.00+/-20%	---	0.06 Max.	2200
GBLH201209PA-2R2M	2.20+/-20%	---	0.10 Max.	2000
GBLH201209PA-3R3M	3.30+/-20%	---	0.12 Max.	1500
GBLH201209PA-4R7M	4.70+/-20%	---	0.30 Max.	900
GBLH201209PL-1R0M	1.00+/-20%	90	0.11+/-20%	1200
GBLH201209PL-2R2M	2.20+/-20%	50	0.25+/-25%	800
GBLH201209PL-3R3M	3.30+/-20%	40	0.19+/-25%	900
GBLH201209PL-4R7M	4.70+/-20%	30	0.25+/-25%	800

- Inductance test freq. : @ 1MHz / 250mV
- The maximum rated current : The DC current value having temperature increased 40 deg.C after thru DC current 2 hours at ambient temperature.
- Regarding to the inductance variability of rated current , please refer to Inductance Vs. DC superposition characteristics.

Product Series : GBLH	Brand : GOTREND
File Version : GBLH-SERIES-V2R5	Editor : Teddy Sun
Established Date : 2011.04.22	Description : High Current Multilayer Ferrite Chip Inductor
Latest Edit Date : 2020.10.29	Product Type : <input checked="" type="checkbox"/> Standard <input type="checkbox"/> Customize

GBLH201609P-SERIES

Dimension [mm] :



Size	A	B	C	D	E(Ref.)	F(Ref.)	G(Ref.)
201609	2.00+/-0.15	1.60+/-0.15	0.90+/-0.10	0.50+/-0.20	2.40	0.80	1.80

Electrical Characteristics :

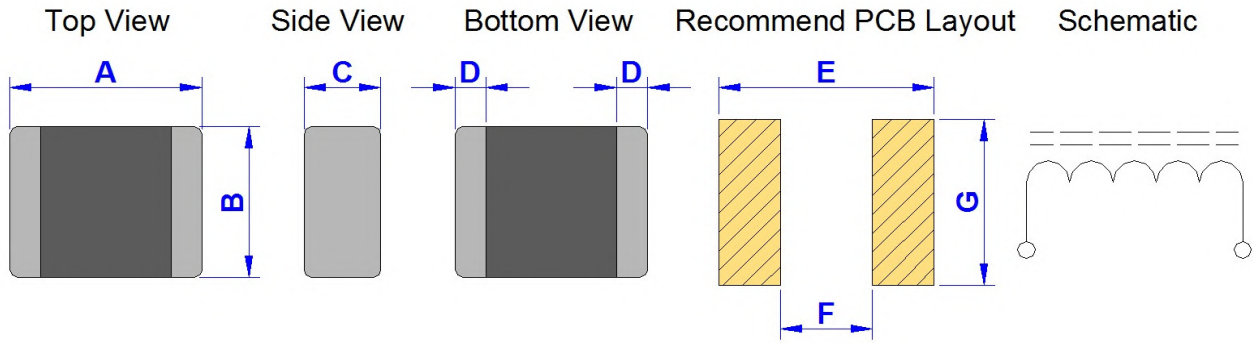
Part No.	Inductance (uH)	SRF (MHz) Min.	DCR (Ω)	Rated Current (mA) Max.
GBLH201609P-R68M	0.68+/-20%	90	0.15+/-30%	1500
GBLH201609P-R82M	0.82+/-20%	80	0.16+/-30%	1500
GBLH201609P-1R0M	1.00+/-20%	60	0.077~0.143	1700
GBLH201609P-1R2M	1.20+/-20%	60	0.077~0.143	1700
GBLH201609P-1R5M	1.50+/-20%	50	0.098~0.182	1500
GBLH201609P-1R8M	1.80+/-20%	50	0.098~0.182	1500
GBLH201609P-2R2M	2.20+/-20%	40	0.126~0.234	1300
GBLH201609P-2R7M	2.70+/-20%	40	0.126~0.234	1300
GBLH201609P-3R3M	3.30+/-20%	30	0.161~0.299	1100
GBLH201609P-3R9M	3.90+/-20%	30	0.161~0.299	1100
GBLH201609P-4R7M	4.70+/-20%	30	0.161~0.299	900

- Inductance test freq. : @ 1MHz / 250mV
- The maximum rated current : The DC current value having temperature increased 40 deg.C after thru DC current 2 hours at ambient temperature.
- Regarding to the inductance variability of rated current , please refer to Inductance Vs. DC superposition characteristics.

Product Series : GBLH	Brand : GOTREND
File Version : GBLH-SERIES-V2R5	Editor : Teddy Sun
Established Date : 2011.04.22	Description : High Current Multilayer Ferrite Chip Inductor
Latest Edit Date : 2020.10.29	Product Type : <input checked="" type="checkbox"/> Standard <input type="checkbox"/> Customize

GBLH252010P-SERIES

Dimension [mm] :



Size	A	B	C	D	E(Ref.)	F(Ref.)	G(Ref.)
252010	2.50+/-0.20	2.00+/-0.20	0.90+/-0.10	0.60+/-0.20	2.90	1.10	2.20

Electrical Characteristics :

Part No.	Inductance (uH)	SRF (MHz) Min.	DCR (Ω)	Rated Current (mA) Max.
GBLH252010P-R47M	0.47+/-20%	100	0.07+/-25%	1800
GBLH252010P-1R0M	1.00+/-20%	60	0.11+/-25%	1600
GBLH252010P-1R5M	1.50+/-20%	50	0.13+/-25%	1500
GBLH252010P-2R2M	2.20+/-20%	40	0.16+/-25%	1300
GBLH252010P-3R3M	3.30+/-20%	30	0.17+/-25%	1200
GBLH252010P-4R7M	4.70+/-20%	25	0.20+/-25%	1100

■ Inductance test freq. : @ 1MHz / 250mV

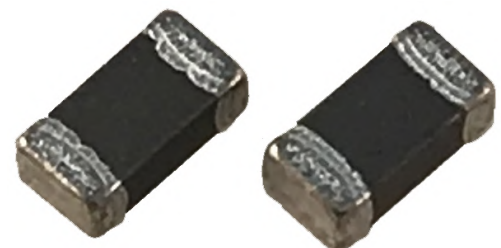
■ The maximum rated current : The DC current value having temperature increased 40 deg.C after thru DC current 2 hours at ambient temperature.

■ Regarding to the inductance variability of rated current , please refer to Inductance Vs. DC superposition characteristics.

Product Series : GBLM	Brand : GOTREND
File Version : GBLM-SERIES-V1R1	Editor : Teddy Sun
Established Date : 2013.09.30	Description : High Current Multilayer Ferrite Chip Inductor
Latest Edit Date : 2020.10.29	Product Type : <input checked="" type="checkbox"/> Standard <input type="checkbox"/> Customize

Features & Application :

- * Bead inductor for power energy storage or noise suppressor.
- * Fit for power line & signal line circuit.
- * To help you go pass the CE/FCC standard.
- * Mobil Device / Handheld Device / LowProfile Device / Panel...



(Picture for reference only)

Part No. Example :

PN	:	GBLM	160808	P	-	4R7	M
-----		-----	-----	---		-----	----
ID	:	1	2	3		4	5
1	:	GOTREND BRAND & PRODUCT TYPE					
2	:	Dimension - L 1.6 mm X W 0.8 mm X T 0.8 mm					
3	:	Pb free < 1000ppm					
4	:	Inductance 4R7 = 4.7 uH					
5	:	Tolerance Code - M = 20%					

Basic Information :

Made in	China
Pin Foot	SMD
Shielding	Yes
J-STD-020	MSL Level 1
RoHS	Compliant
REACH	Compliant
Halogen	Free

Operating & Storage Condition :

- * Operating Temp -40 ~ +125 deg.C (Including self - temperature rise)
- * Storage Temp 1. -10 ~ +45 deg.C , 50 ~ 60% RH (Product with taping)
2. -40 ~ +125 deg.C (On board)
- * Storage Life Time 6 Month (Less than 40 deg.C and 60% RH)

Attention & Caution :

- * Keep out of Splashing water or salt water
- * Avoid Toxic Gas (Hydrogen sulfide, Sulfurous acid, Chlorine, Ammonia)
- Vibrations or shocks which exceed the specified condition
- Dew condense
- Layout near the edge of PCB
- Over flexure after SMT mounting & PCBA



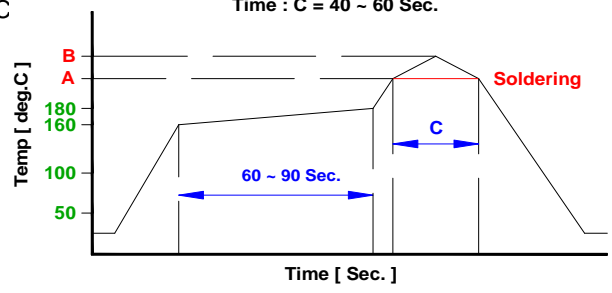
- * Pin foot or SMD pad solderability: Pb free type is best within 6 months after delivery
- * Humidity sensitive , IPC/JEDEC J-STD-020 MSL if over Level 1, recommend bake 30mins@150 degree before PCBA
- * Caution for human life relative applications : PLS contact & consult with GOTREND team in design stage.

Test Condition :

- * Equipment HP4284A , HP42841A - L , Q , DCR , IDC
HP8753D Network analyzer - SRF
- * Standard Atmosphere Conditions:
Ambient Temperature 20 ± 15 deg.C
Humidity RH 65 ± 20%
- * If there may be any doubt on the test result ,
Measurement shall be made within the following limits:
Ambient Temperature 25 ± 5 deg.C
Humidity RH 75 ± 10%

Recommend IR Reflow Curve : GTX-IR-FILE001

Lead Free Solder : A = 217 deg.C , B = 245+/-5 deg.C
Time : C = 40 ~ 60 Sec.

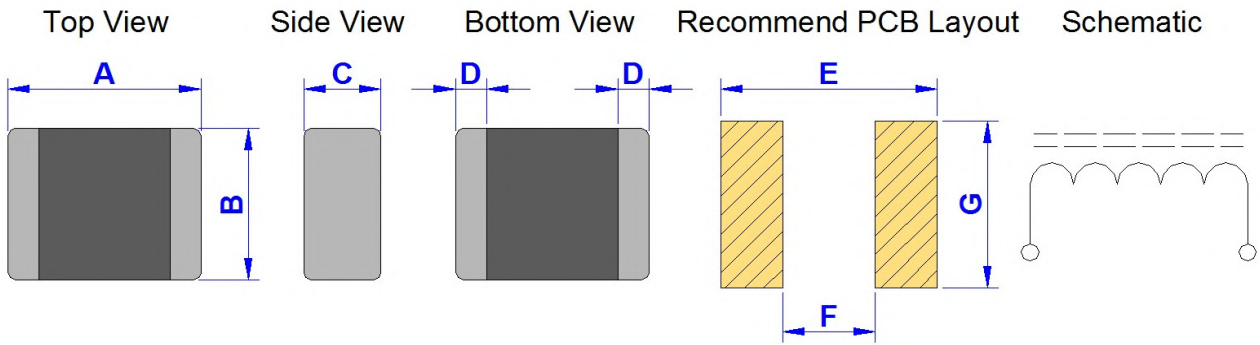


Notice : Iron Soldering , Solder < 30 Watt ,
Direct touch the terminal x 3 Sec. Max. @ 350 deg.C

Product Series : GBLM	Brand : GOTREND
File Version : GBLM-SERIES-V1R1	Editor : Teddy Sun
Established Date : 2013.09.30	Description : High Current Multilayer Ferrite Chip Inductor
Latest Edit Date : 2020.10.29	Product Type : <input checked="" type="checkbox"/> Standard <input type="checkbox"/> Customize

GBLM160808P-SERIES

Dimension [mm] :



Size	A	B	C	D	E(Ref.)	F(Ref.)	G(Ref.)
160808	1.60+/-0.15	0.80+/-0.15	0.80+/-0.15	0.30+/-0.20	2.00	0.90	1.00

Electrical Characteristics :

Part No.	Inductance (uH)	SRF (MHz) Min.	DCR (Ω) (+/-30%)	Rated Current (mA) Max.
GBLM160808P-1R0M	1.00+/-20%	125	0.18	1000
GBLM160808P-1R5M	1.50+/-20%	109	0.22	800
GBLM160808P-2R2M	2.20+/-20%	90	0.30	700
GBLM160808P-3R3M	3.30+/-20%	70	0.40	600
GBLM160808P-4R7M	4.70+/-20%	50	0.50	500
GBLM160808P-100M	10.00+/-20%	33	0.55	400
GBLM160808P-150M	15.00+/-20%	20	0.90	220
GBLM160808P-220M	22.00+/-20%	15	1.00	200

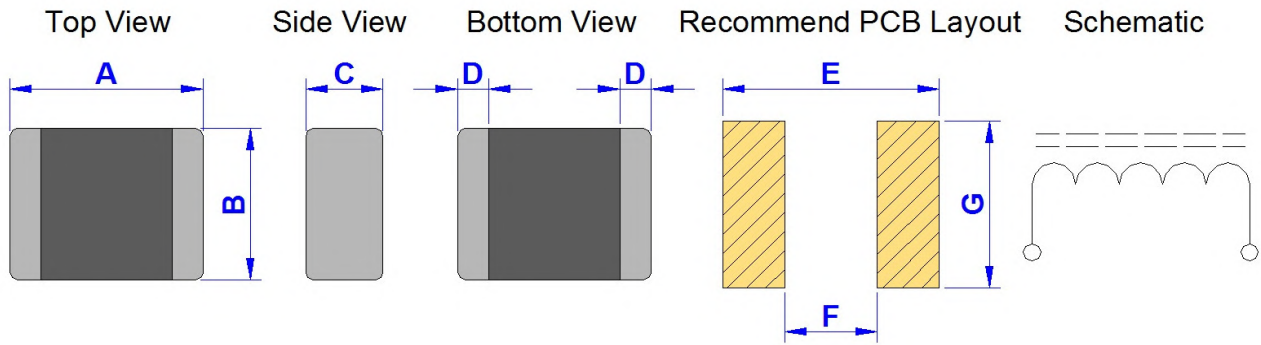
* Inductance test freq. : @ 1MHz / 250mV

* Rated current based on increasing product temperature : Current when temperature of the product reaches +40 deg.C .

Product Series : GBLM	Brand : GOTREND
File Version : GBLM-SERIES-V1R1	Editor : Teddy Sun
Established Date : 2013.09.30	Description : High Current Multilayer Ferrite Chip Inductor
Latest Edit Date : 2020.10.29	Product Type : <input checked="" type="checkbox"/> Standard <input type="checkbox"/> Customize

GBLM201208P-SERIES

Dimension [mm] :



Size	A	B	C	D	E(Ref.)	F(Ref.)	G(Ref.)
201208	2.00+/-0.20	1.25+/-0.20	0.85+/-0.10	0.50+/-0.30	2.40	0.80	1.45

Electrical Characteristics :

Part No.	Inductance (uH)	SRF (MHz) Min.	DCR (Ω) (+/-30%)	Rated Current (mA) Max.
GBLM201208P-1R0M	1.00+/-20%	75	0.15	1400
GBLM201208P-1R5M	1.50+/-20%	60	0.16	1300
GBLM201208P-2R2M	2.20+/-20%	50	0.20	1200
GBLM201208P-4R7M	4.70+/-20%	35	0.25	1000

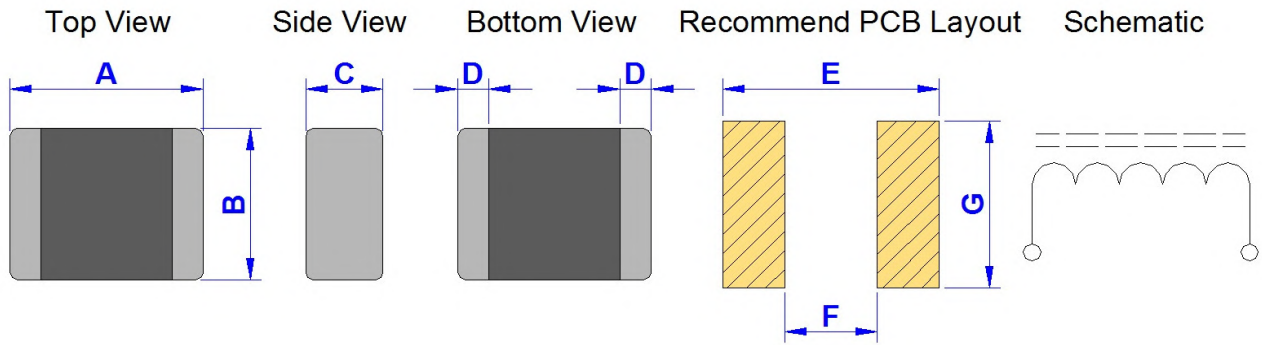
* Inductance test freq. : @ 1MHz / 250mV

* Rated current based on increasing product temperature : Current when temperature of the product reaches +40 deg.C .

Product Series : GBLM	Brand : GOTREND
File Version : GBLM-SERIES-V1R1	Editor : Teddy Sun
Established Date : 2013.09.30	Description : High Current Multilayer Ferrite Chip Inductor
Latest Edit Date : 2020.10.29	Product Type : <input checked="" type="checkbox"/> Standard <input type="checkbox"/> Customize

GBLM201211P-SERIES

Dimension [mm] :



Size	A	B	C	D	E(Ref.)	F(Ref.)	G(Ref.)
201211	2.00+/-0.20	1.25+/-0.20	1.15+/-0.10	0.50+/-0.30	2.40	0.80	1.45

Electrical Characteristics :

Part No.	Inductance (uH)	SRF (MHz) Min.	DCR (Ω) (+/-30%)	Rated Current (mA) Max.
GBLM201211P-100M	10.00 ± 20%	24	0.32	500
GBLM201211P-220M	22.00 ± 20%	18	0.70	300

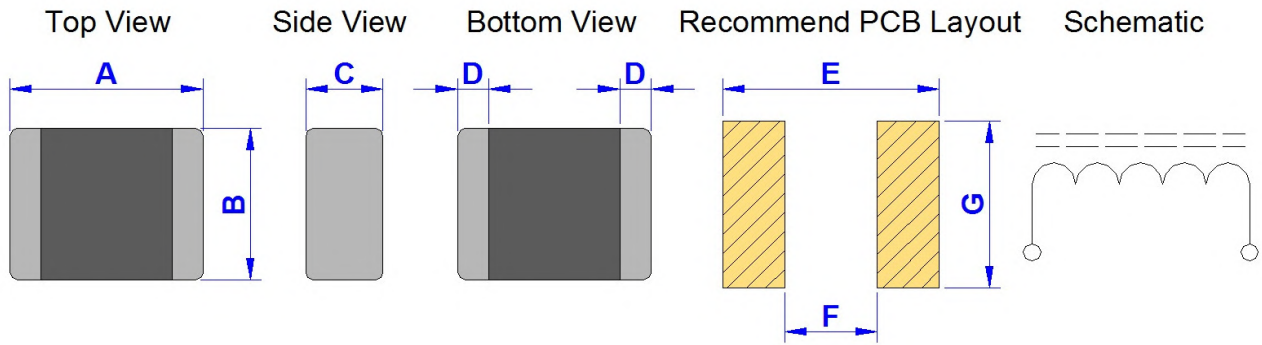
* Inductance test freq. : @ 1MHz / 250mV

* Rated current based on increasing product temperature : Current when temperature of the product reaches +40 deg.C .

Product Series : GBLM	Brand : GOTREND
File Version : GBLM-SERIES-V1R1	Editor : Teddy Sun
Established Date : 2013.09.30	Description : High Current Multilayer Ferrite Chip Inductor
Latest Edit Date : 2020.10.29	Product Type : <input checked="" type="checkbox"/> Standard <input type="checkbox"/> Customize

GBLM201608P-SERIES

Dimension [mm] :



Size	A	B	C	D	E(Ref.)	F(Ref.)	G(Ref.)
201608	2.00+/-0.20	1.60+/-0.20	0.80+/-0.20	0.50+/-0.30	2.40	0.80	1.80

Electrical Characteristics :

Part No.	Inductance (uH)	SRF (MHz) Min.	DCR (Ω) (+/-30%)	Rated Current (mA) Max.
GBLM201608P-1R0M	1.00+/-20%	60	0.11	1400
GBLM201608P-1R5M	1.50+/-20%	50	0.15	1200
GBLM201608P-2R2M	2.20+/-20%	40	0.15	1200
GBLM201608P-3R3M	3.30+/-20%	30	0.20	1200
GBLM201608P-4R7M	4.70+/-20%	20	0.25	1100

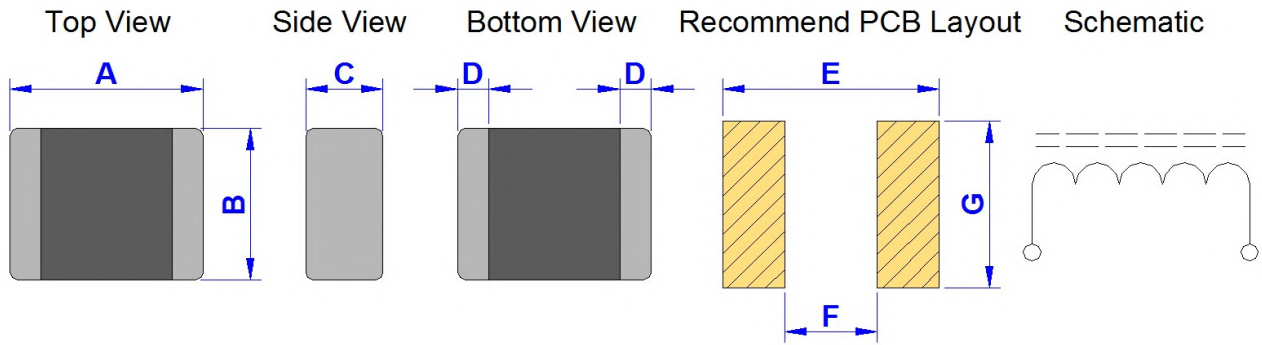
* Inductance test freq. : @ 1MHz / 250mV

* Rated current based on increasing product temperature : Current when temperature of the product reaches +40 deg.C .

Product Series : GBLM	Brand : GOTREND
File Version : GBLM-SERIES-V1R1	Editor : Teddy Sun
Established Date : 2013.09.30	Description : High Current Multilayer Ferrite Chip Inductor
Latest Edit Date : 2020.10.29	Product Type : <input checked="" type="checkbox"/> Standard <input type="checkbox"/> Customize

GBLM252008P-SERIES

Dimension [mm] :



Size	A	B	C	D	E(Ref.)	F(Ref.)	G(Ref.)
252008	2.50+/-0.20	2.00+/-0.20	0.85+/-0.15	0.50+/-0.30	2.90	1.10	2.20

Electrical Characteristics :

Part No.	Inductance (uH)	SRF (MHz) Min.	DCR (Ω) (+/-30%)	Rated Current (mA) Max.
GBLM252008P-1R0M	1.00+/-20%	60	0.085	1600
GBLM252008P-1R5M	1.50+/-20%	50	0.09	1500
GBLM252008P-2R2M	2.20+/-20%	40	0.09	1500
GBLM252008P-3R3M	3.30+/-20%	30	0.12	1300
GBLM252008P-4R7M	4.70+/-20%	20	0.12	1300

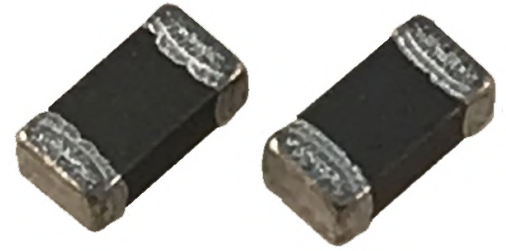
* Inductance test freq. : @ 1MHz / 250mV

* Rated current based on increasing product temperature : Current when temperature of the product reaches +40 deg.C .

Product Series : GBL5	Brand : GOTREND
File Version : GBL5-SERIES-V1R3	Editor : Teddy Sun
Established Date : 2013.04.12	Description : High Current Multilayer Ferrite Chip Inductor
Latest Edit Date : 2020.10.29	Product Type : <input checked="" type="checkbox"/> Standard <input type="checkbox"/> Customize

Features & Application :

- * Bead inductor for power energy storage or noise suppressor.
- * Fit for power line & signal line circuit
- * To help you go pass the CE/FCC standard.
- * Mobil Device / Handheld Device / LowProfile Device / Panel...



(Picture for reference only)

Part No. Example :

PN	:	GBL5	201209	P	<input type="checkbox"/>	-	2R2	<input type="checkbox"/>
-----		-----	-----	---	----		-----	----
ID	:	1	2	3	4		5	6
1	:	GOTREND BRAND & PRODUCT TYPE						
2	:	Dimension - L 2.0 mm x W 1.25 mm x T 0.9 mm						
3	:	Pb free < 1000ppm						
4	:	[H] : Special Material Code - High current						
5	:	Inductance 2R2 = 2.2 uH						
6	:	Tolerance Code - M = 20% ; N = 30%						

Basic Information :

Made in	China
Pin Foot	SMD
Shielding	Yes
J-STD-020	MSL Level 1
RoHS	Compliant
REACH	Compliant
Halogen	Free

Operating & Storage Condition :

- * Operating Temp -40 ~ +125 deg.C (Including self - temperature rise)
- * Storage Temp 1. -10 ~ +45 deg.C , 50 ~ 60% RH (Product with taping)
2. -40 ~ +125 deg.C (On board)
- * Storage Life Time 12 Month (Less than 40 deg.C and 60% RH)

Attention & Caution :

- * Keep out of Splashing water or salt water
- * Avoid Toxic Gas (Hydrogen sulfide, Sulfurous acid, Chlorine, Ammonia)
- * Avoid Vibrations or shocks which exceed the specified condition
- * Avoid Dew condense
- * Avoid Layout near the edge of PCB
- * Avoid Over flexure after SMT mounting & PCBA



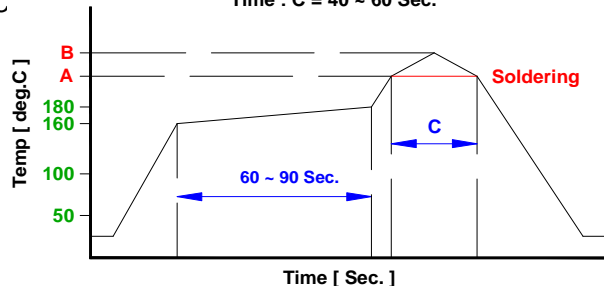
- * Pin foot or SMD pad solderability: Pb free type is best within 6 months after delivery
- * Humidity sensitive , IPC/JEDEC J-STD-020 MSL if over Level 1, recommend bake 30mins@150 degree before PCBA
- * Caution for human life relative applications : PLS contact & consult with GOTREND team in design stage.

Test Condition :

- * Equipment HP4284A , HP42841A - L , Q , DCR , IDC
HP8753D Network analyzer - SRF
- * Standard Atmosphere Conditions:
Ambient Temperature 20 ± 15 deg.C
Humidity RH 65 ± 20%
- * If there may be any doubt on the test result ,
Measurement shall be made within the following limits:
Ambient Temperature 25 ± 5 deg.C
Humidity RH 75 ± 10%

Recommend IR Reflow Curve : GTX-IR-FILE001

Lead Free Solder : A = 217 deg.C , B = 245+/-5 deg.C
Time : C = 40 ~ 60 Sec.

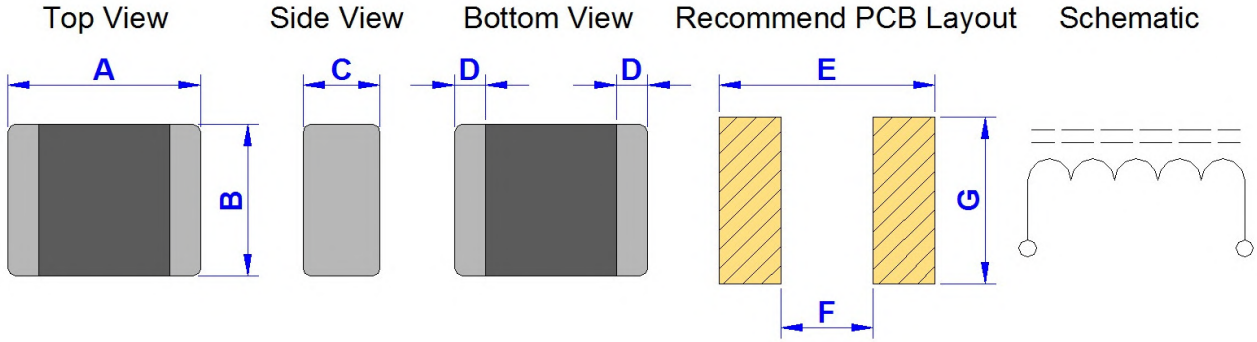


Notice : Iron Soldering , Solder < 30 Watt ,
Direct touch the terminal x 3 Sec. Max. @ 350 deg.C

Product Series : GBL5	Brand : GOTREND
File Version : GBL5-SERIES-V1R3	Editor : Teddy Sun
Established Date : 2013.04.12	Description : High Current Multilayer Ferrite Chip Inductor
Latest Edit Date : 2020.10.29	Product Type : <input checked="" type="checkbox"/> Standard <input type="checkbox"/> Customize

GBLS160805P-SERIES

Dimension [mm] :



Size	A	B	C	D	E	F	G
160805	1.60+/-0.15	0.80+/-0.15	0.50+/-0.10	0.30+/-0.20	0.6~0.8	0.6~0.8	0.6~0.8

Electrical Characteristics :

Part No.	Inductance (uH)	Inductance Test Freq. (MHz)	SRF (MHz) (Min.)	DCR (Ohm)	Isat (mA) (Typ.)	Irms (mA) (Max.)
GBLS160805P-R47□	0.47	5	105	0.19+/-25%	500	900

* □ : Inductance tolerance code (M = ± 20% ; N = ± 30%)

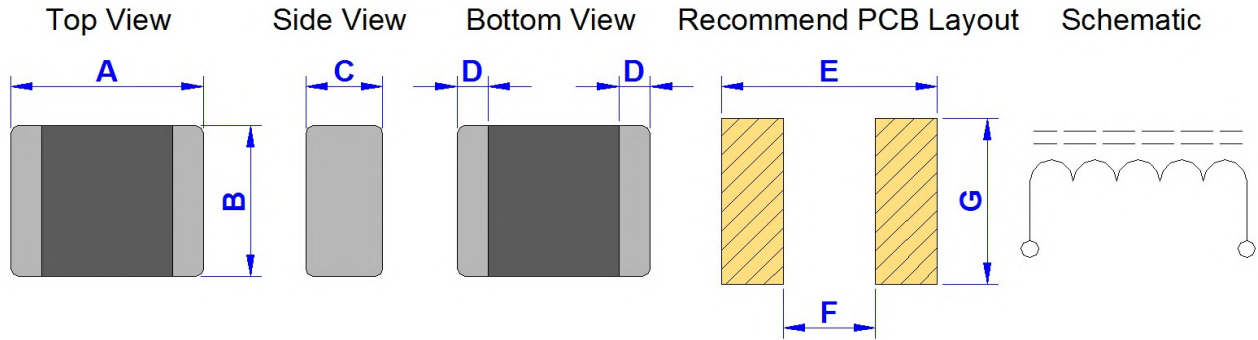
* I_{rms} : Is direct electric current as chip surface temperature rose just 40 deg.C against chip initial surface 25 deg.C .

* Isat : Is the value of DC current as inductance L (uH) decreased just 30% against initial value L (0A) .

Product Series : GBLS	Brand : GOTREND
File Version : GBLS-SERIES-V1R3	Editor : Teddy Sun
Established Date : 2013.04.12	Description : High Current Multilayer Ferrite Chip Inductor
Latest Edit Date : 2020.10.29	Product Type : <input checked="" type="checkbox"/> Standard <input type="checkbox"/> Customize

GBLS160808P□-SERIES

Dimension [mm] :



Size	A	B	C	D	E	F	G
160808	1.60+/-0.15	0.80+/-0.15	0.80+/-0.15	0.30+/-0.20	0.6~0.8	0.6~0.8	0.6~0.8

Electrical Characteristics :

Part No.	Inductance (uH)	Inductance Test Freq. (MHz)	SRF (MHz) (Min.)	DCR (Ohm)	Isat (mA) (Typ.)	Irms (mA) (Max.)
GBLS160808P-R47□	0.47	5	105	0.25+/-25%	800	800
GBLS160808P-1R0□	1.00	1	60	0.20+/-25%	200	950
GBLS160808P-1R5□	1.50	1	50	0.25+/-25%	160	800
GBLS160808P-2R2□	2.20	1	40	0.30+/-25%	120	750
GBLS160808PH-4R7□	4.70	1	65	0.40+/-25%	80	700

* □ : Inductance tolerance code (M = ± 20% ; N = ± 30%)

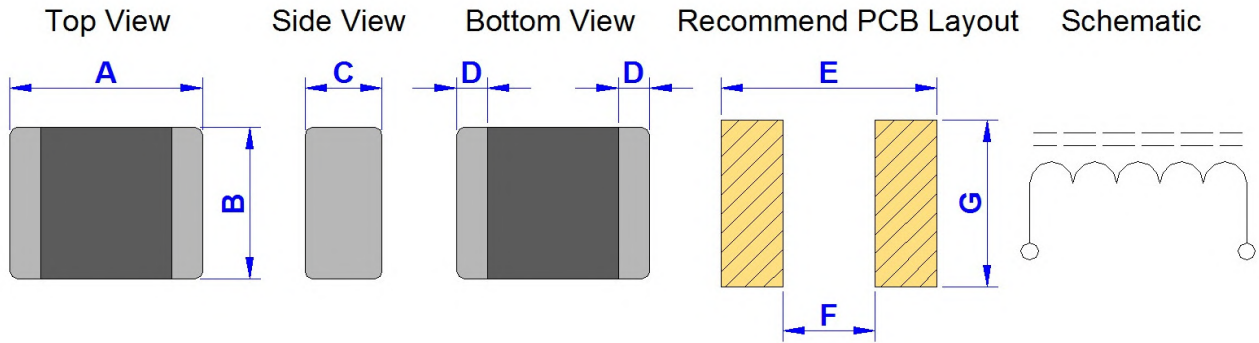
* I_{rms} : Is direct electric current as chip surface temperature rose just 40 deg.C against chip initial surface 25 deg.C .

* Isat : Is the value of DC current as inductance L (uH) decreased just 30% against initial value L (0A) .

Product Series : GBLS	Brand : GOTREND
File Version : GBLS-SERIES-V1R3	Editor : Teddy Sun
Established Date : 2013.04.12	Description : High Current Multilayer Ferrite Chip Inductor
Latest Edit Date : 2020.10.29	Product Type : <input checked="" type="checkbox"/> Standard <input type="checkbox"/> Customize

GBLS201205P-SERIES

Dimension [mm] :



Size	A	B	C	D	E	F	G
201205	2.00+/-0.20	1.25+/-0.20	0.50+/-0.10	0.50+/-0.30	0.8~0.12	0.8~0.12	0.9~1.6

Electrical Characteristics :

Part No.	Inductance (uH)	Inductance Test Freq. (MHz)	SRF (MHz) (Min.)	DCR (Ohm)	Isat (mA) (Typ.)	Irms (mA) (Max.)
GBLS201205P-R47□	0.47	1	100	0.12+/-25%	700	1100
GBLS201205P-1R0□	1.00	1	60	0.19+/-25%	500	800
GBLS201205P-1R5□	1.50	1	50	0.26+/-25%	350	700
GBLS201205P-2R2□	2.20	1	40	0.34+/-25%	280	600

* □ : Inductance tolerance code (M = ± 20% ; N = ± 30%)

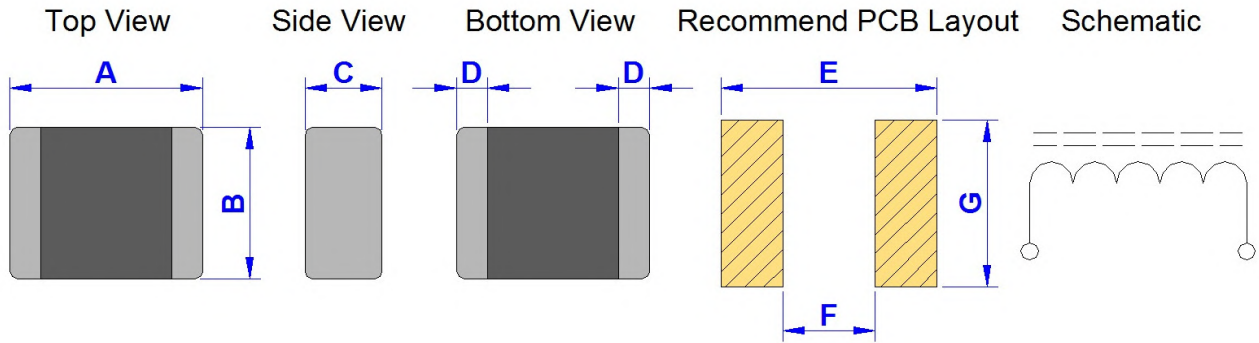
* I_{rms} : Is direct electric current as chip surface temperature rose just 40 deg.C against chip initial surface 25 deg.C .

* Isat : Is the value of DC current as inductance L (uH) decreased just 30% against initial value L (0A) .

Product Series : GBLS	Brand : GOTREND
File Version : GBLS-SERIES-V1R3	Editor : Teddy Sun
Established Date : 2013.04.12	Description : High Current Multilayer Ferrite Chip Inductor
Latest Edit Date : 2020.10.29	Product Type : <input checked="" type="checkbox"/> Standard <input type="checkbox"/> Customize

GBLS21209P□-SERIES

Dimension [mm] :



Size	A	B	C	D	E	F	G
21209	2.00+/-0.20	1.25+/-0.20	0.90+/-0.10	0.50+/-0.30	0.8~0.12	0.8~0.12	0.9~1.6

Electrical Characteristics :

Part No.	Inductance (uH)	Inductance Test Freq. (MHz)	SRF (MHz) (Min.)	DCR (Ohm)	Isat (mA) (Typ.)	Irms (mA) (Max.)
GBLS201209P-R47□	0.47	1	100	0.09+/-25%	1200	1200
GBLS201209P-1R0□	1.00	1	60	0.11+/-25%	850	1000
GBLS201209P-1R5□	1.50	1	50	0.16+/-25%	700	900
GBLS201209P-2R2□	2.20	1	40	0.25+/-25%	500	800
GBLS201209P-3R3□	3.30	1	30	0.19+/-25%	250	900
GBLS201209P-4R7□	4.70	1	30	0.25+/-25%	230	800
GBLS201209PH-R47□	0.47	1	100	0.08+/-25%	1200	1500
GBLS201209PH-1R0□	1.00	1	60	0.11+/-25%	1150	1300
GBLS201209PH-1R5□	1.50	1	50	0.16+/-25%	800	1100
GBLS201209PH-2R2□	2.20	1	40	0.20+/-25%	500	900
GBLS201209PH-3R3□	3.30	1	30	0.20+/-25%	350	900
GBLS201209PH-4R7□	4.70	1	30	0.25+/-25%	285	850

* □ : Inductance tolerance code (M = ± 20% ; N = ± 30%)

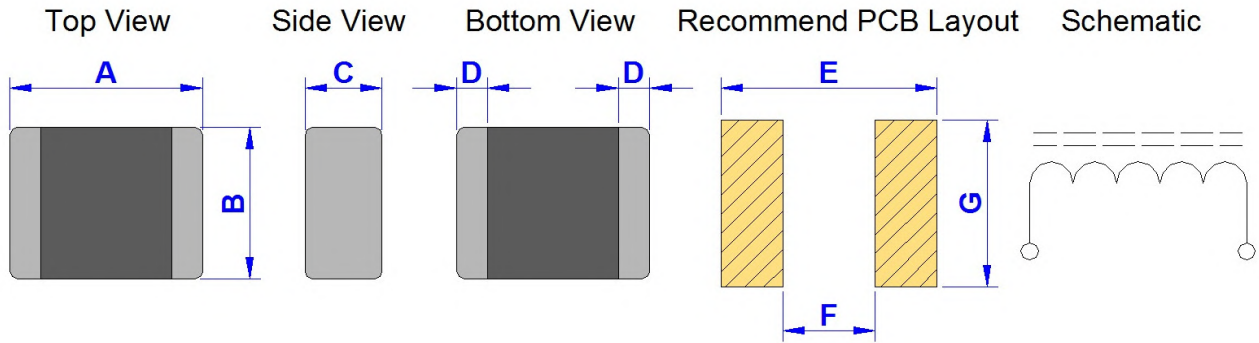
* I_{rms} : Is direct electric current as chip surface temperature rose just 40 deg.C against chip initial surface 25 deg.C .

* Isat : Is the value of DC current as inductance L (uH) decreased just 30% against initial value L (0A) .

Product Series : GBL5	Brand : GOTREND
File Version : GBL5-SERIES-V1R3	Editor : Teddy Sun
Established Date : 2013.04.12	Description : High Current Multilayer Ferrite Chip Inductor
Latest Edit Date : 2020.10.29	Product Type : <input checked="" type="checkbox"/> Standard <input type="checkbox"/> Customize

GBLS201212P-SERIES

Dimension [mm] :



Size	A	B	C	D	E	F	G
201212	2.00+/-0.20	1.25+/-0.20	1.25+/-0.20	0.50+/-0.30	0.8~1.2	0.8~1.2	0.9~1.6

Electrical Characteristics :

Part No.	Inductance (uH)	Inductance Test Freq. (MHz)	SRF (MHz) (Min.)	DCR (Ohm)	Isat (mA) (Typ.)	Irms (mA) (Max.)
GBLS201212P-4R7□	4.70	1	25	0.50+/-30%	360	600

* □ : Inductance tolerance code (M = ± 20% ; N = ± 30%)

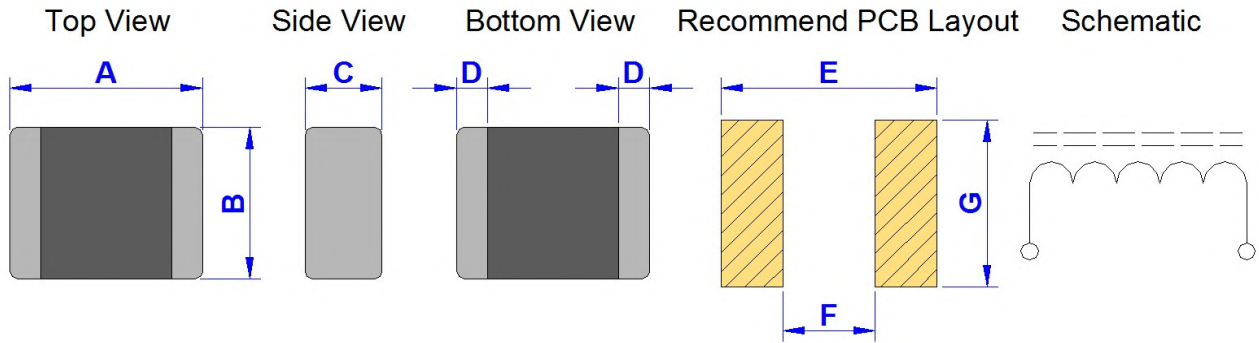
* I_{rms} : Is direct electric current as chip surface temperature rose just 40 deg.C against chip initial surface 25 deg.C .

* Isat : Is the value of DC current as inductance L (uH) decreased just 30% against initial value L (0A) .

Product Series : GBL5	Brand : GOTREND
File Version : GBL5-SERIES-V1R3	Editor : Teddy Sun
Established Date : 2013.04.12	Description : High Current Multilayer Ferrite Chip Inductor
Latest Edit Date : 2020.10.29	Product Type : <input checked="" type="checkbox"/> Standard <input type="checkbox"/> Customize

GBLS201609P-SERIES

Dimension [mm] :



Size	A	B	C	D	E	F	G
201609	2.00+/-0.20	1.60+/-0.20	0.90+/-0.10	0.50+/-0.30	0.8~1.2	0.8~1.2	1.2~2.0

Electrical Characteristics :

Part No.	Inductance (uH)	Inductance Test Freq. (MHz)	SRF (MHz) (Min.)	DCR (Ohm)	Isat (mA) (Typ.)	Irms (mA) (Max.)
GBLS201609P-R47□	0.47	1	100	0.06+/-25%	1300	1600
GBLS201609P-1R0□	1.00	1	70	0.09+/-25%	900	1400
GBLS201609P-1R5□	1.50	1	60	0.11+/-25%	700	1200
GBLS201609P-2R2□	2.20	1	50	0.11+/-25%	450	1200
GBLS201609P-3R3□	3.30	1	40	0.12+/-25%	250	1200
GBLS201609P-4R7□	4.70	1	30	0.14+/-25%	180	1100

* □ : Inductance tolerance code (M = ± 20% ; N = ± 30%)

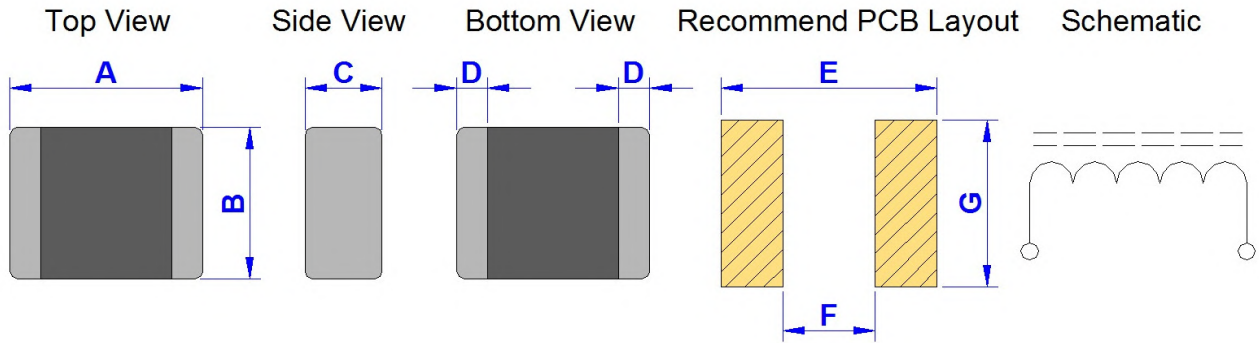
* I_{rms} : Is direct electric current as chip surface temperature rose just 40 deg.C against chip initial surface 25 deg.C .

* Isat : Is the value of DC current as inductance L (uH) decreased just 30% against initial value L (0A) .

Product Series : GBL5	Brand : GOTREND
File Version : GBL5-SERIES-V1R3	Editor : Teddy Sun
Established Date : 2013.04.12	Description : High Current Multilayer Ferrite Chip Inductor
Latest Edit Date : 2020.10.29	Product Type : <input checked="" type="checkbox"/> Standard <input type="checkbox"/> Customize

GBLS252009P-SERIES

Dimension [mm] :



Size	A	B	C	D	E	F	G
252009	2.50+/-0.20	2.00+/-0.20	0.90+/-0.10	0.50+/-0.30	1.0~1.4	0.6~1.0	1.8~2.2

Electrical Characteristics :

Part No.	Inductance (uH)	Inductance Test Freq. (MHz)	SRF (MHz) (Min.)	DCR (Ohm)	Isat (mA) (Typ.)	Irms (mA) (Max.)
GBLS252009P-R47□	0.47	1	100	0.04+/-25%	1350	1800
GBLS252009P-1R0□	1.00	1	60	0.06+/-25%	900	1600
GBLS252009P-1R5□	1.50	1	50	0.07+/-25%	700	1500
GBLS252009P-2R2□	2.20	1	40	0.08+/-25%	550	1300
GBLS252009P-3R3□	3.30	1	30	0.10+/-25%	250	1200
GBLS252009P-4R7□	4.70	1	25	0.11+/-25%	200	1100

* □ : Inductance tolerance code (M = ± 20% ; N = ± 30%)

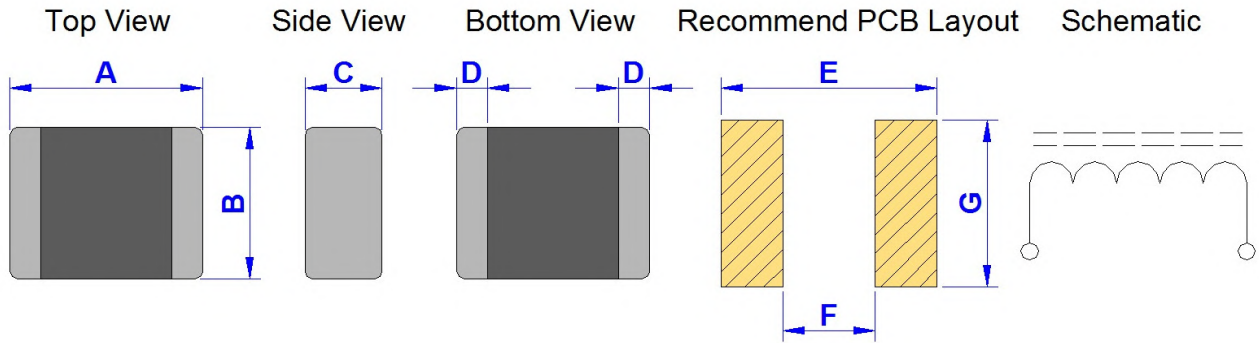
* I_{rms} : Is direct electric current as chip surface temperature rose just 40 deg.C against chip initial surface 25 deg.C .

* Isat : Is the value of DC current as inductance L (uH) decreased just 30% against initial value L (0A) .

Product Series : GBL5	Brand : GOTREND
File Version : GBL5-SERIES-V1R3	Editor : Teddy Sun
Established Date : 2013.04.12	Description : High Current Multilayer Ferrite Chip Inductor
Latest Edit Date : 2020.10.29	Product Type : <input checked="" type="checkbox"/> Standard <input type="checkbox"/> Customize

GBLS252011P-SERIES

Dimension [mm] :



Size	A	B	C	D	E	F	G
252011	2.50+/-0.20	2.00+/-0.20	1.10+/-0.10	0.50+/-0.30	1.0~1.4	0.6~1.0	1.8~2.2

Electrical Characteristics :

Part No.	Inductance (uH)	Inductance Test Freq. (MHz)	SRF (MHz) (Min.)	DCR (Ohm)	Isat (mA) (Typ.)	Irms (mA) (Max.)
GBLS252011P-1R0□	1.00	1	70	0.09+/-25%	1800	1500
GBLS252011P-2R2□	2.20	1	40	0.12+/-25%	900	1000
GBLS252011P-3R3□	3.30	1	30	0.12+/-25%	450	1000
GBLS252011P-4R7□	4.70	1	25	0.14+/-25%	350	900
GBLS252011P-100□	10.00	1	15	0.30+/-25%	200	800

* □ : Inductance tolerance code (M = ± 20% ; N = ± 30%)

* I_{rms} : Is direct electric current as chip surface temperature rose just 40 deg.C against chip initial surface 25 deg.C .

* Isat : Is the value of DC current as inductance L (uH) decreased just 30% against initial value L (0A) .

Product Series : GTC	Brand : GOTREND
File Version : GTC-SERIES-V3R7	Editor : Teddy Sun
Established Date : 2009.05.22	Description : Multilayer Ceramic High-Frequency Inductor
Latest Edit Date : 2020.11.06	Product Type : <input checked="" type="checkbox"/> Standard <input type="checkbox"/> Customize

Features & Application :

- * High Frequency SRF up to 10GHz
- * Fit for 2.4GHz / 5GHz...etc. RF circuit
- * To help you go pass the CE/FCC standard.
- * Mobile Device / Handheld Device / LowProfile Device / Panel...



(Picture for reference only)

Part No. Example :

PN	:	GTC	1005	P	<input type="checkbox"/>	-	1N2	S
-----		-----	----	---	---		-----	---
ID	:	1	2	3	4		5	6
1	:	GTC : GOTREND Series						
2	:	1005 : Dimension code- Length 1.0mm X Width 0.5mm						
3	:	P : Pb free < 1000ppm						
4	:	M = Marking						
5	:	1N2 : [L] Value - Inductance 1N2=1.2nH, 27N=27nH,						
6	:	S : Tolerance Code - S = +/- 0.3 nH, J = 5%, K = 10% , M = 20%						

Basic Information :

Made in	China
Pin Foot	SMD
Shielding	Yes
J-STD-020	MSL Level 1
RoHS	Compliant
REACH	Compliant
Halogen	Free

Operating & Storage Condition :

- * Operating Temp -40 ~ +125 deg.C (Including self - temperature rise)
- * Storage Temp 1. -10 ~ +45 deg.C , 50 ~ 60% RH (Product with taping)
2. -40 ~ +125 deg.C (On board)
- * Storage Life Time 12 MONTH (Less than 40 deg.C and 60% RH)

Attention & Caution :

- * Keep out of Splashing water or salt water
- * Avoid Toxic Gas (Hydrogen sulfide, Sulfurous acid, Chlorine, Ammonia)
- Vibrations or shocks which exceed the specified condition
- Dew condense
- Layout near the edge of PCB
- Over flexure after SMT mounting & PCBA

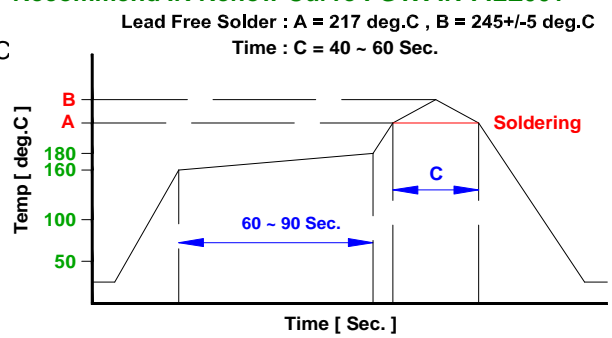


- * Pin foot or SMD pad solderability: Pb free type is best within 6 months after delivery
- * Humidity sensitive , IPC/JEDEC J-STD-020 MSL if over Level 1, recommend bake 30mins@150 degree before PCBA
- * Caution for human life relative applications : PLS contact & consult with GOTREND team in design stage.

Test Condition :

- * Equipment HP4284A , HP42841A - L , Q , DCR , IDC
HP8753D Network analyzer - SRF
- * Standard Atmosphere Conditions:
Ambient Temperature 20 ± 15 deg.C
Humidity RH 65 ± 20%
- * If there may be any doubt on the test result ,
Measurement shall be made within the following limits:
Ambient Temperature 25 ± 5 deg.C
Humidity RH 75 ± 10%

Recommend IR Reflow Curve : GTX-IR-FILE001

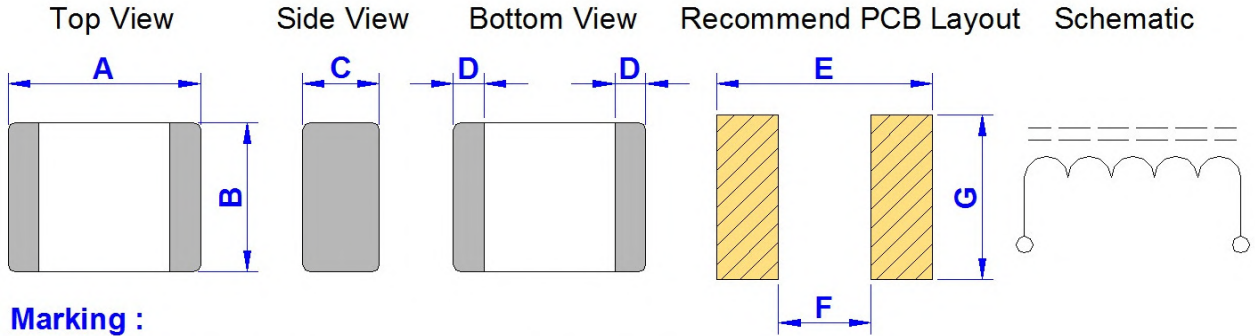


Notice : Iron Soldering , Solder < 30 Watt ,
Direct touch the terminal x 3 Sec. Max. @ 350 deg.C

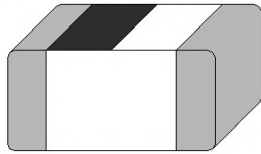
Product Series : GTC	Brand : GOTREND
File Version : GTC-SERIES-V3R7	Editor : Teddy Sun
Established Date : 2009.05.22	Description : Multilayer Ceramic High-Frequency Inductor
Latest Edit Date : 2020.11.06	Product Type : <input checked="" type="checkbox"/> Standard <input type="checkbox"/> Customize

GTC1005P-SERIES

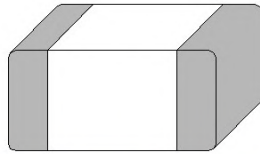
Dimension [mm] :



Marking :



1005 / 1608 Size (Marking)



2012 Size (No Marking)

Size	A	B	C	D	E(Ref.)	F(Ref.)	G(Ref.)
1005 [0402]	1.00+/-0.15	0.50+/-0.20	0.50+/-0.15	0.15+/-0.10	1.20-1.40	0.40	0.40

Electrical Characteristics :

Part No.	L - Value (nH) @100MHz 0.25V	Tolerance of L.value	Q @100MHz (Min.)	Q Typcial		S.R.F (MHz) Ref.	DCR (ohm) Max.	IDC (mA) Max.
				@100 MHz	@800 MHz			
GTC1005P□-1N0S	1.0	S	8	9	28	10000	0.10	300
GTC1005P□-1N2S	1.2	S	8	9	28	10000	0.10	300
GTC1005P□-1N5S	1.5	S	8	10	28	9000	0.10	300
GTC1005P□-1N8S	1.8	S	8	10	28	8700	0.12	300
GTC1005P□-2N0S	2.0	S	8	10	29	8100	0.15	300
GTC1005P□-2N2S	2.2	S	8	10	29	8100	0.15	300
GTC1005P□-2N4S	2.4	S	8	10	30	6000	0.13	300
GTC1005P□-2N7S	2.7	S	8	11	30	7700	0.15	300
GTC1005P□-3N0S	3.0	S	8	11	30	6300	0.15	300
GTC1005P□-3N3	3.3	S / K	8	11	30	6300	0.16	300
GTC1005P□-3N9	3.9	S / K	8	11	31	6100	0.21	300
GTC1005P□-4N3	4.3	S / K	8	11	31	5400	0.21	300
GTC1005P□-4N7	4.7	S / K	8	11	31	5400	0.21	300
GTC1005P□-5N1	5.1	S / K	8	10	30	5700	0.23	300
GTC1005P□-5N6	5.6	S / K	8	11	31	5100	0.23	300
GTC1005P□-6N8	6.8	J / K	8	11	31	4550	0.25	250
GTC1005P□-7N5	7.5	J / K	8	11	31	4300	0.25	250
GTC1005P□-8N2	8.2	J / K	8	12	31	4100	0.30	250
GTC1005P□-9N1	9.1	J / K	8	12	31	3900	0.35	250
GTC1005P□-10N	10.0	J / K	8	12	31	3900	0.35	250

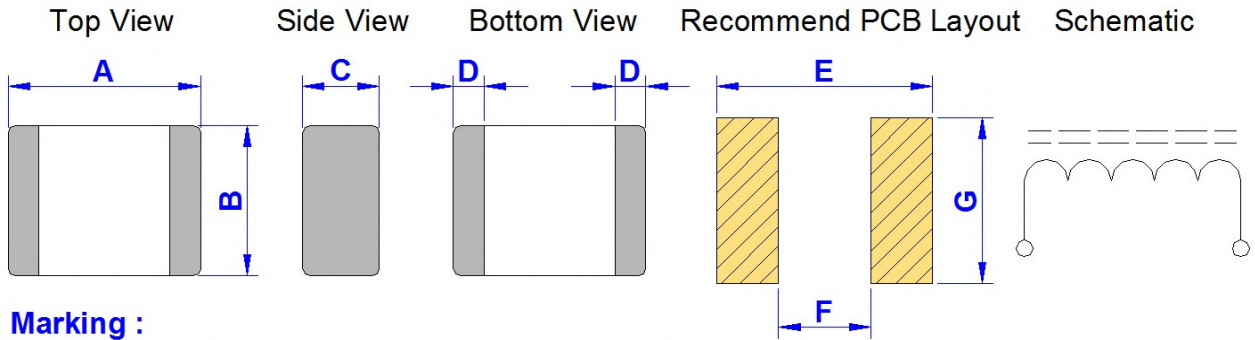
* Inductance tolerance : S = ± 0.3 nH ; J = ± 5% ; K = ± 10%

* IDC based on increasing product temperature : Current when temperature of the product reaches +40 deg.C .

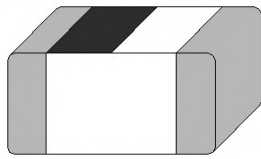
Product Series : GTC	Brand : GOTREND
File Version : GTC-SERIES-V3R7	Editor : Teddy Sun
Established Date : 2009.05.22	Description : Multilayer Ceramic High-Frequency Inductor
Latest Edit Date : 2020.11.06	Product Type : <input checked="" type="checkbox"/> Standard <input type="checkbox"/> Customize

GTC1005P-SERIES

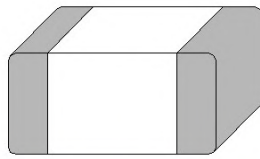
Dimension [mm] :



Marking :



1005 / 1608 Size (Marking)



2012 Size (No Marking)

Size	A	B	C	D	E(Ref.)	F(Ref.)	G(Ref.)
1005 [0402]	1.00+/-0.15	0.50+/-0.20	0.50+/-0.15	0.15+/-0.10	1.20-1.40	0.40	0.40

Electrical Characteristics :

Part No.	L - Value (nH) @100MHz 0.25V	Tolerance of L.value	Q @100MHz (Min.)	Q Typcial		S.R.F (MHz) Ref.	DCR (ohm) Max.	IDC (mA) Max.
				@100 MHz	@800 MHz			
GTC1005P□-12N	12.0	J / K	8	12	31	3000	0.40	250
GTC1005P□-15N	15.0	J / K	8	12	31	2600	0.50	250
GTC1005P□-18N	18.0	J / K	8	12	31	2350	0.55	200
GTC1005P□-22N	22.0	J / K	8	12	31	2000	0.70	200
GTC1005P□-27N	27.0	J / K	8	12	32	1900	0.80	200
GTC1005P□-33N	33.0	J / K	8	10	32	1700	1.00	200
GTC1005P□-39N	39.0	J / K	8	10	32	1600	1.20	150
GTC1005P□-47N	47.0	J / K	8	10	33	1300	1.30	150
GTC1005P□-56N	56.0	J / K	8	10	34	1250	2.00	150
GTC1005P□-68N	68.0	J / K	8	10	35	1000	2.20	100
GTC1005P□-82N	82.0	J / K	8	10	35	900	2.50	100
GTC1005P□-R10	100.0	J / K	8	10	35	850	2.50	100
GTC1005P□-R12	120.0	J / K	8	10	35	750	2.50	100
GTC1005P□-R27	270.0	J / K	8	/	35	500	4.80	100

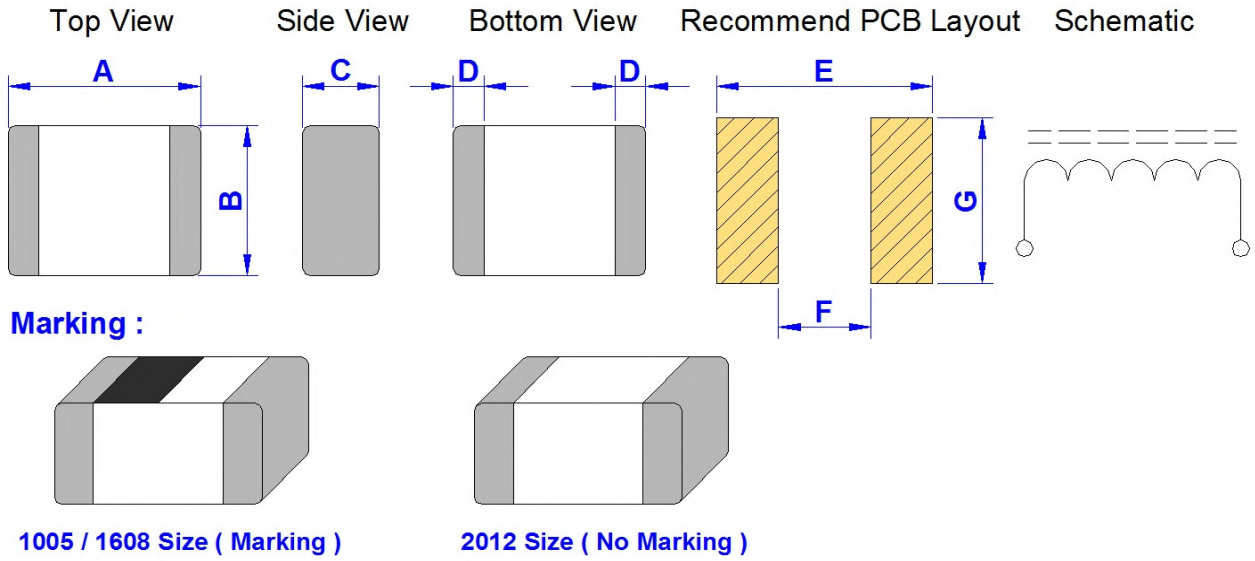
* Inductance tolerance : J = ± 5% ; K = ± 10%

* IDC based on increasing product temperature : Current when temperature of the product reaches +40 deg.C .

Product Series : GTC	Brand : GOTREND
File Version : GTC-SERIES-V3R7	Editor : Teddy Sun
Established Date : 2009.05.22	Description : Multilayer Ceramic High-Frequency Inductor
Latest Edit Date : 2020.11.06	Product Type : <input checked="" type="checkbox"/> Standard <input type="checkbox"/> Customize

GTC1608P-SERIES

Dimension [mm] :



Size	A	B	C	D	E(Ref.)	F(Ref.)	G(Ref.)
1608 [0603]	1.60+/-0.15	0.80+/-0.15	0.80+/-0.15	0.25+/-0.10	2.40-3.40	0.80	0.60

Electrical Characteristics :

Part No.	L - Value (nH) @100MHz 0.25V	Tolerance of L.value	Q @100MHz (Min.)	Q Typical		S.R.F (MHz) Ref.	DCR (ohm) Max.	IDC (mA) Max.
				@100 MHz	@800 MHz			
GTC1608P□-1N0S	1.0	S	8	12	50	>17000	0.10	300
GTC1608P□-1N2S	1.2	S	8	13	65	>17000	0.10	300
GTC1608P□-1N5S	1.5	S	8	13	55	>17000	0.10	300
GTC1608P□-1N7S	1.7	S	8	13	51	8000	0.10	300
GTC1608P□-1N8S	1.8	S	8	13	51	6000	0.10	300
GTC1608P□-2N2S	2.2	S	8	13	45	6000	0.10	300
GTC1608P□-2N7S	2.7	S	8	13	45	8600	0.10	300
GTC1608P□-3N3	3.3	S / K	8	13	51	6500	0.12	300
GTC1608P□-3N9	3.9	S / K	8	13	52	6300	0.14	300
GTC1608P□-4N7	4.7	S / K	8	13	41	5400	0.16	300
GTC1608P□-5N6	5.6	S / K	8	13	41	4600	0.18	300
GTC1608P□-6N8	6.8	J / K	8	13	44	4500	0.22	300
GTC1608P□-8N2	8.2	J / K	8	13	44	3800	0.24	300
GTC1608P□-10N	10.0	J / K	8	13	45	3700	0.26	300
GTC1608P□-12N	12.0	J / K	8	15	46	3200	0.28	300
GTC1608P□-15N	15.0	J / K	8	15	48	2900	0.32	300
GTC1608P□-18N	18.0	J / K	10	15	48	2100	0.35	300
GTC1608P□-22N	22.0	J / K	10	17	45	2100	0.40	300
GTC1608P□-27N	27.0	J / K	10	17	43	2000	0.45	300
GTC1608P□-33N	33.0	J / K	10	18	39	1600	0.55	300

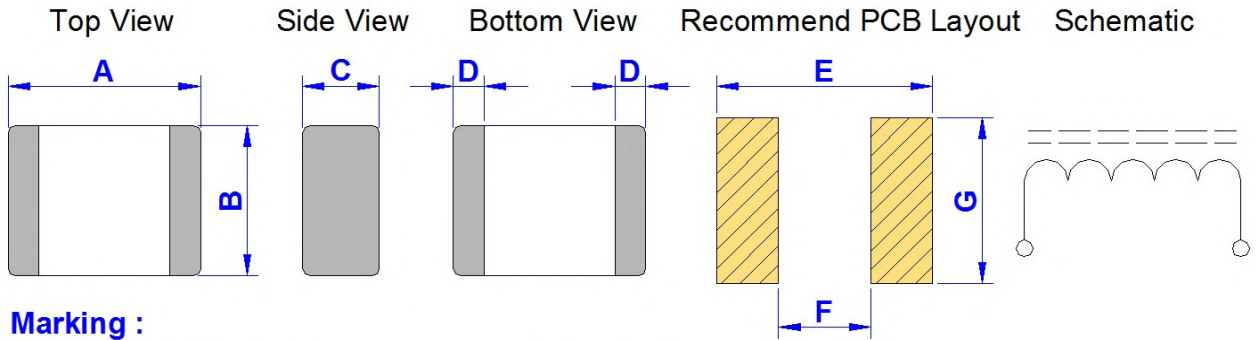
* Inductance tolerance : S = ± 3% ; J = ± 5% ; K = ± 10%

* IDC based on increasing product temperature : Current when temperature of the product reaches +40 deg.C .

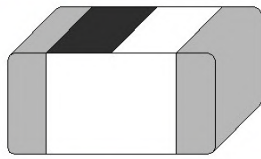
Product Series : GTC	Brand : GOTREND
File Version : GTC-SERIES-V3R7	Editor : Teddy Sun
Established Date : 2009.05.22	Description : Multilayer Ceramic High-Frequency Inductor
Latest Edit Date : 2020.11.06	Product Type : <input checked="" type="checkbox"/> Standard <input type="checkbox"/> Customize

GTC1608P-SERIES

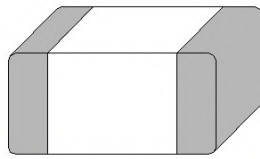
Dimension [mm] :



Marking :



1005 / 1608 Size (Marking)



2012 Size (No Marking)

Size	A	B	C	D	E(Ref.)	F(Ref.)	G(Ref.)
1608 [0603]	1.60+/-0.15	0.80+/-0.15	0.80+/-0.15	0.25+/-0.10	2.40-3.40	0.80	0.60

Electrical Characteristics :

Part No.	L - Value (nH) @100MHz 0.25V	Tolerance of L.value	Q @100MHz (Min.)	Q Typcial		S.R.F (MHz) Ref.	DCR (ohm) Max.	IDC (mA) Max.
				@100 MHz	@800 MHz			
GTC1608P□-39N	39.0	J / K	10	18	37	1500	0.60	300
GTC1608P□-47N	47.0	J / K	12	18	35	1200	0.70	300
GTC1608P□-56N	56.0	J / K	12	18	32	1100	0.75	300
GTC1608P□-62N	62.0	J / K	12	18	32	1050	0.85	300
GTC1608P□-68N	68.0	J / K	12	18	32	1050	0.85	300
GTC1608P□-82N	82.0	J / K	12	18	32	850	1.00	300
GTC1608P□-R10	100.0	J / K	12	18	20	750	1.20	300
GTC1608P□-R12	120.0	J / K	8 @50MHz	16	23	700	2.30	300
GTC1608P□-R15	150.0	J / K	8 @50MHz	14	23	650	2.40	300
GTC1608P□-R18	180.0	J / K	8 @50MHz	14	21	550	2.70	300
GTC1608P□-R22	220.0	J / K	8 @50MHz	13	20	450	3.00	250

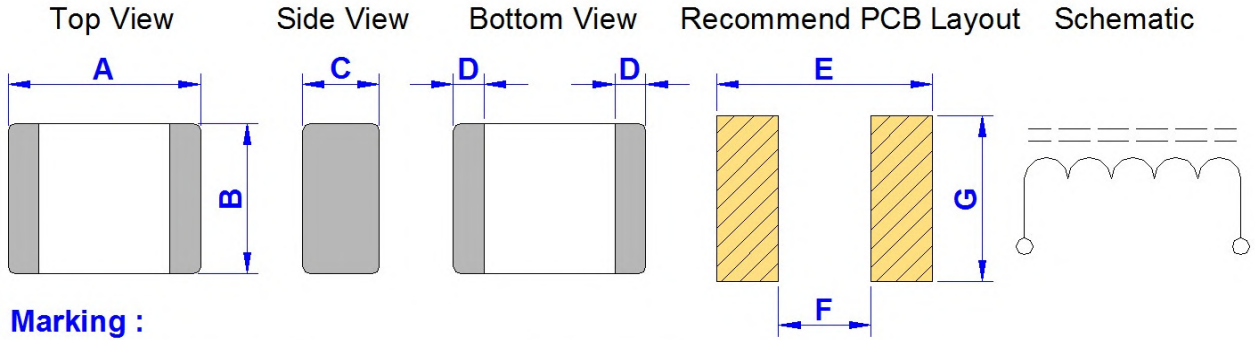
* Inductance tolerance : J = ± 5% ; K = ± 10%

* IDC based on increasing product temperature : Current when temperature of the product reaches +40 deg.C .

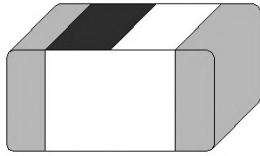
Product Series : GTC	Brand : GOTREND
File Version : GTC-SERIES-V3R7	Editor : Teddy Sun
Established Date : 2009.05.22	Description : Multilayer Ceramic High-Frequency Inductor
Latest Edit Date : 2020.11.06	Product Type : <input checked="" type="checkbox"/> Standard <input type="checkbox"/> Customize

GTC2012P-SERIES

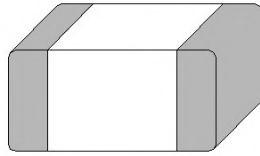
Dimension [mm] :



Marking :



1005 / 1608 Size (Marking)



2012 Size (No Marking)

Size	A	B	C	D	E(Ref.)	F(Ref.)	G(Ref.)
2012 [0805]	2.00+/-0.20	1.20+/-0.20	0.90+/-0.20	0.30+/-0.15	3.00-4.00	1.20	1.00

Electrical Characteristics :

Part No.	L - Value (nH) @100MHz 0.25V	Tolerance of L.value	Q @100MHz (Min.)	Q Typcial		S.R.F (MHz) Ref.	DCR (ohm) Max.	IDC (mA) Max.
				@100 MHz	@800 MHz			
GTC2012P-1N0S	1.0	S	10	12	38	>6000	0.10	300
GTC2012P-1N2S	1.2	S	10	12	38	>6000	0.10	300
GTC2012P-1N5S	1.5	S	10	13	40	>6000	0.10	300
GTC2012P-1N8S	1.8	S	10	13	45	>6000	0.10	300
GTC2012P-2N2S	2.2	S	10	13	48	>6000	0.10	300
GTC2012P-2N7S	2.7	S	12	13	40	>6000	0.12	300
GTC2012P-3N3	3.3	S / K	12	15	56	>6000	0.13	300
GTC2012P-3N9	3.9	S / K	12	15	54	5600	0.15	300
GTC2012P-4N7	4.7	S / K	12	15	50	5500	0.20	300
GTC2012P-5N6	5.6	S / K	12	15	53	4700	0.23	300
GTC2012P-6N8	6.8	J / K	15	15	51	3900	0.25	300
GTC2012P-8N2	8.2	J / K	15	15	53	3200	0.28	300
GTC2012P-10N	10.0	J / K	15	16	45	3100	0.30	300
GTC2012P-12N	12.0	J / K	15	16	48	2800	0.35	300
GTC2012P-15N	15.0	J / K	15	17	48	2400	0.40	300
GTC2012P-18N	18.0	J / K	15	17	43	2100	0.45	300
GTC2012P-22N	22.0	J / K	15	17	47	2000	0.50	300
GTC2012P-27N	27.0	J / K	15	18	38	1800	0.55	300
GTC2012P-33N	33.0	J / K	15	19	35	1700	0.60	300
GTC2012P-39N	39.0	J / K	18	21	40	1400	0.65	300

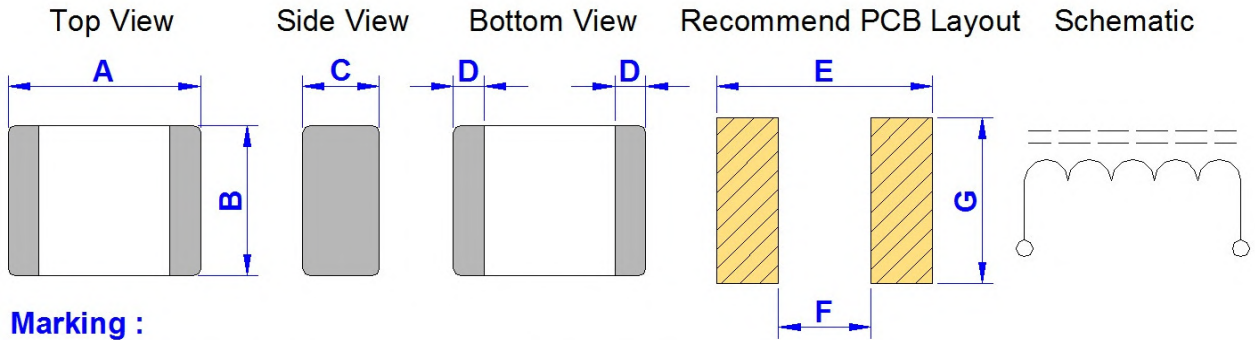
* Inductance tolerance : S = ± 3% ; J = ± 5% ; K = ± 10%

* IDC based on increasing product temperature : Current when temperature of the product reaches +40 deg.C .

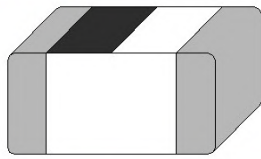
Product Series : GTC	Brand : GOTREND
File Version : GTC-SERIES-V3R7	Editor : Teddy Sun
Established Date : 2009.05.22	Description : Multilayer Ceramic High-Frequency Inductor
Latest Edit Date : 2020.11.06	Product Type : <input checked="" type="checkbox"/> Standard <input type="checkbox"/> Customize

GTC2012P-SERIES

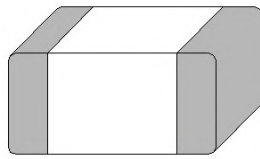
Dimension [mm] :



Marking :



1005 / 1608 Size (Marking)



2012 Size (No Marking)

Size	A	B	C	D	E(Ref.)	F(Ref.)	G(Ref.)
2012 [0805]	2.00+/-0.20	1.20+/-0.20	0.90+/-0.20	0.30+/-0.15	3.00-4.00	1.20	1.00

Electrical Characteristics :

Part No.	L - Value (nH) @100MHz 0.25V	Tolerance of L.value	Q @100MHz (Min.)	Q Typcial		S.R.F (MHz) Ref.	DCR (ohm) Max.	IDC (mA) Max.
				@100 MHz	@800 MHz			
GTC2012P-47N	47.0	J / K	18	21	38	1200	0.70	300
GTC2012P-56N	56.0	J / K	18	21	31	1000	0.75	300
GTC2012P-68N	68.0	J / K	18	21	28	900	0.80	300
GTC2012P-82N	82.0	J / K	18	22	25	900	0.85	300
GTC2012P-R10	100.0	J / K	18	23	25	700	0.90	300
GTC2012P-R12	120.0	J / K	13@50MHz	22	25	600	0.95	300
GTC2012P-R15	150.0	J / K	13@50MHz	22	24	500	1.00	300
GTC2012P-R18	180.0	J / K	13@50MHz	23	23	430	1.10	300
GTC2012P-R22	220.0	J / K	12@50MHz	20	22	400	1.20	300
GTC2012P-R27	270.0	J / K	12@50MHz	20	22	340	1.30	300
GTC2012P-R33	330.0	J / K	12@50MHz	22	20	320	1.50	300
GTC2012P-R39	390.0	J / K	10@50MHz	17	20	270	1.60	300
GTC2012P-R47	470.0	J / K	10@50MHz	17	20	250	1.80	300
GTC2012P-R56	560.0	J / K	10@50MHz	17	20	230	2.50	300
GTC2012P-R68	680.0	J / K	10@50MHz	17	20	180	3.00	300

* Inductance tolerance : J = ± 5% ; K = ± 10%

* IDC based on increasing product temperature : Current when temperature of the product reaches +40 deg.C .

Product Series : GTCH	Brand : GOTREND
File Version : GTCH-SERIES-V1R9	Editor : Teddy Sun
Established Date : 2012.10.05	Description : Multilayer Ceramic High-Frequency Inductor
Latest Edit Date : 2020.11.06	Product Type : <input checked="" type="checkbox"/> Standard <input type="checkbox"/> Customize

Features & Application :

- * High Frequency SRF up to 10GHz
- * Fit for 2.4GHz / 5GHz....etc. RF circuit
- * To help you go pass the CE/FCC standard.
- * Mobile Device / Handheld Device / LowProfile Device / Panel...



(Picture for reference only)

Part No. Example :

PN	:	GTCH	1005	P	F	-	1N0	S
-----		-----	-----	--	--		-----	--
ID	:	1	2	3	4		5	6
1	:	GTC : GOTREND Series						
2	:	1005 : Dimension code- Length 1.0mm X Width 0.5mm						
3	:	P : Pb free < 1000ppm						
4	:	F : Material code						
5	:	1N0 : [L] Value - Inductance 1N0=1.0nH, 10N=10nH,						
6	:	S : Tolerance Code - S = +/- 0.3 nH, J = 5%, K = 10%						

Basic Information :

Made in	China
Pin Foot	SMD
Shielding	Yes
J-STD-020	MSL Level 1
RoHS	Compliant
REACH	Compliant
Halogen	Free

Operating & Storage Condition :

- * Operating Temp -40 ~ +125 deg.C (Including self - temperature rise)
- * Storage Temp 1. -10 ~ +45 deg.C , 50 ~ 60% RH (Product with taping)
2. -40 ~ +125 deg.C (On board)
- * Storage Life Time 12 MONTH (Less than 40 deg.C and 60% RH)

Attention & Caution :

- * Keep out of Splashing water or salt water
- * Avoid Toxic Gas (Hydrogen sulfide, Sulfurous acid, Chlorine, Ammonia)
- Vibrations or shocks which exceed the specified condition
- Dew condense
- Layout near the edge of PCB
- Over flexure after SMT mounting & PCBA



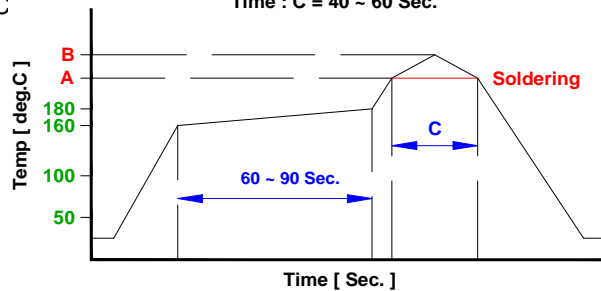
- * Pin foot or SMD pad solderability: Pb free type is best within 6 months after delivery
- * Humidity sensitive , IPC/JEDEC J-STD-020 MSL if over Level 1, recommend bake 30mins@150 degree before PCBA
- * Caution for human life relative applications : PLS contact & consult with GOTREND team in design stage.

Test Condition :

- * Equipment HP4284A , HP42841A - L , Q , DCR , IDC
HP8753D Network analyzer - SRF
- * Standard Atmosphere Conditions:
Ambient Temperature 20 ± 15 deg.C
Humidity RH 65 ± 20%
- * If there may be any doubt on the test result ,
Measurement shall be made within the following limits:
Ambient Temperature 25 ± 5 deg.C
Humidity RH 75 ± 10%

Recommend IR Reflow Curve : GTX-IR-FILE001

Lead Free Solder : A = 217 deg.C , B = 245+/-5 deg.C
Time : C = 40 ~ 60 Sec.

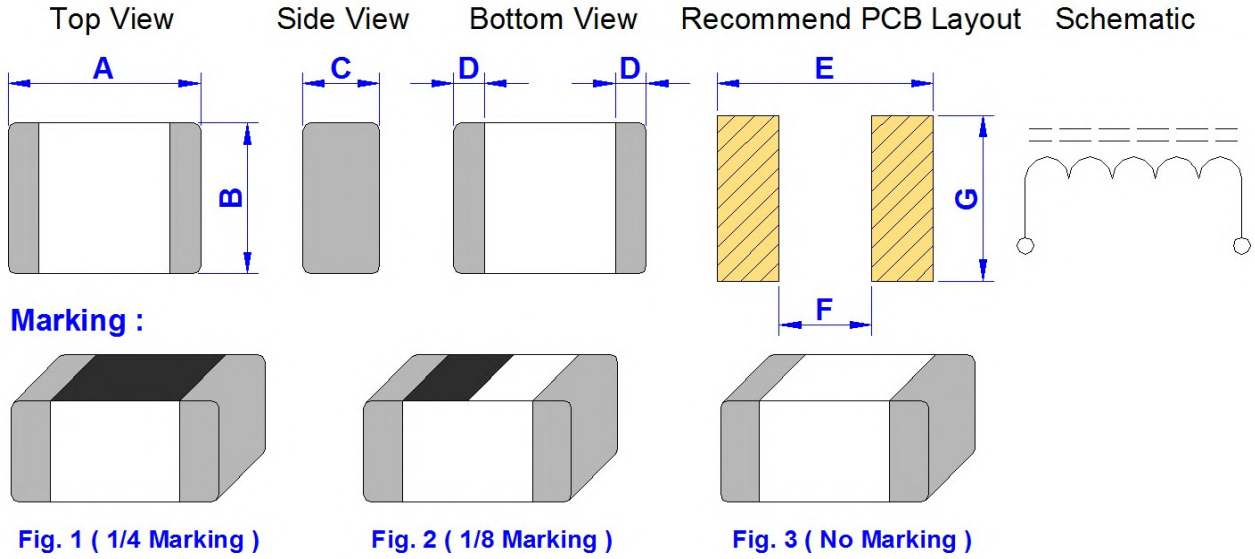


Notice : Iron Soldering , Solder < 30 Watt ,
Direct touch the terminal x 3 Sec. Max. @ 350 deg.C

Product Series : GTCH	Brand : GOTREND
File Version : GTCH-SERIES-V1R9	Editor : Teddy Sun
Established Date : 2012.10.05	Description : Multilayer Ceramic High-Frequency Inductor
Latest Edit Date : 2020.11.06	Product Type : <input checked="" type="checkbox"/> Standard <input type="checkbox"/> Customize

GTCH1005PF-SERIES

Dimension [mm] :



Size	A	B	C	D	E(Ref.)	F(Ref.)	G(Ref.)
1005 [0402]	1.00+/-0.05	0.50+/-0.05	0.50+/-0.05	0.25+/-0.10	1.50	0.50	0.50

Electrical Characteristics :

Part No.	Inductance (nH) @100MHz	Inductance Tolerance	Q @100MHz Min.	Rated Current (mA) Max.	DCR (Ohm) Max.	S.R.F (MHz) Min.
GTCH1005PF-1N0 <input type="checkbox"/>	1.0	S	8.0	300	0.08	10000
GTCH1005PF-1N2 <input type="checkbox"/>	1.2	S	8.0	300	0.09	10000
GTCH1005PF-1N5 <input type="checkbox"/>	1.5	S	8.0	300	0.10	6000
GTCH1005PF-1N8 <input type="checkbox"/>	1.8	S	8.0	300	0.12	6000
GTCH1005PF-2N0 <input type="checkbox"/>	2.0	S	8.0	300	0.12	6000
GTCH1005PF-2N2 <input type="checkbox"/>	2.2	S	8.0	300	0.13	6000
GTCH1005PF-2N4 <input type="checkbox"/>	2.4	S	8.0	300	0.13	6000
GTCH1005PF-2N7 <input type="checkbox"/>	2.7	S	8.0	300	0.13	6000
GTCH1005PF-3N0 <input type="checkbox"/>	3.0	S	8.0	300	0.16	6000
GTCH1005PF-3N3 <input type="checkbox"/>	3.3	S	8.0	300	0.16	6000
GTCH1005PF-3N6 <input type="checkbox"/>	3.6	S	8.0	300	0.20	5000
GTCH1005PF-3N9 <input type="checkbox"/>	3.9	S	8.0	300	0.21	4000
GTCH1005PF-4N3 <input type="checkbox"/>	4.3	S	8.0	300	0.20	4000
GTCH1005PF-4N7 <input type="checkbox"/>	4.7	S	8.0	300	0.21	4000
GTCH1005PF-5N1 <input type="checkbox"/>	5.1	S	8.0	300	0.21	4000
GTCH1005PF-5N6 <input type="checkbox"/>	5.6	S	8.0	300	0.23	4000
GTCH1005PF-6N2 <input type="checkbox"/>	6.2	S	8.0	300	0.25	3900
GTCH1005PF-6N8 <input type="checkbox"/>	6.8	J , K	8.0	300	0.25	3900
GTCH1005PF-7N5 <input type="checkbox"/>	7.5	J , K	8.0	300	0.25	3700
GTCH1005PF-8N2 <input type="checkbox"/>	8.2	J , K	8.0	300	0.28	3600

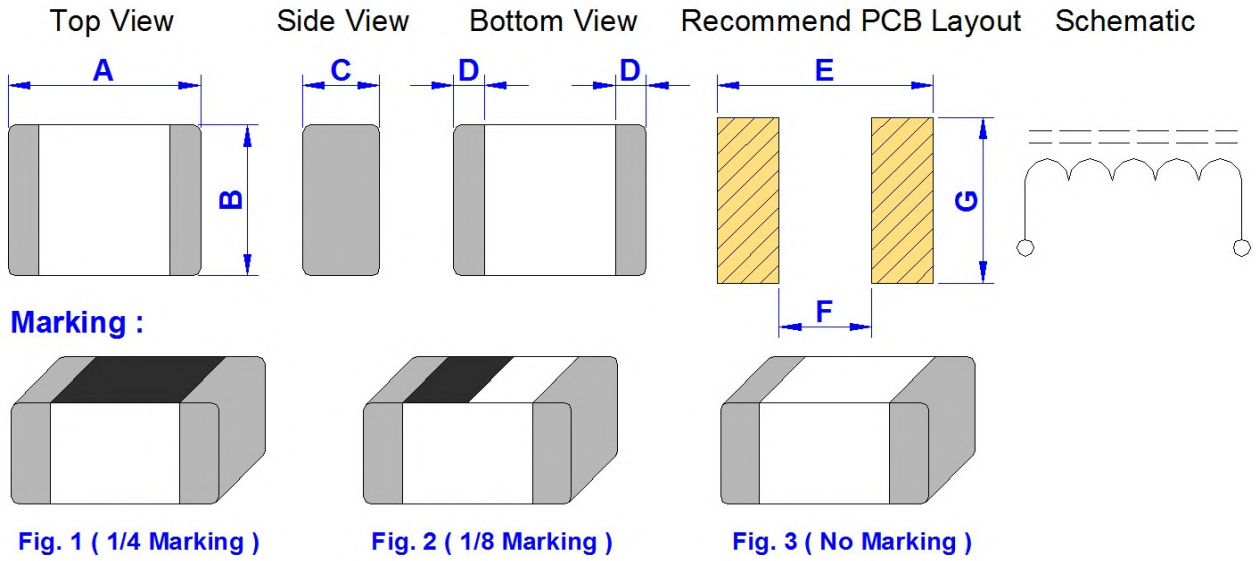
* Inductance tolerance : S = ± 0.3 nH ; J = $\pm 5\%$; K = $\pm 10\%$

* Rated Current based on increasing product temperature : Current when temperature of the product reaches +40 deg.C .

Product Series : GTCH	Brand : GOTREND
File Version : GTCH-SERIES-V1R9	Editor : Teddy Sun
Established Date : 2012.10.05	Description : Multilayer Ceramic High-Frequency Inductor
Latest Edit Date : 2020.11.06	Product Type : <input checked="" type="checkbox"/> Standard <input type="checkbox"/> Customize

GTCH1005PF-SERIES

Dimension [mm] :



Size	A	B	C	D	E(Ref.)	F(Ref.)	G(Ref.)
1005 [0402]	1.00+/-0.05	0.50+/-0.05	0.50+/-0.05	0.25+/-0.10	1.50	0.50	0.50

Electrical Characteristics :

Part No.	Inductance (nH) @100MHz	Inductance Tolerance	Q @100MHz Min.	Rated Current (mA) Max.	DCR (Ohm) Max.	S.R.F (MHz) Min.
GTCH1005PF-9N1 <input type="checkbox"/>	9.1	J , K	8.0	300	0.30	3400
GTCH1005PF-10N <input type="checkbox"/>	10.0	J , K	8.0	300	0.31	3200
GTCH1005PF-12N <input type="checkbox"/>	12.0	J , K	8.0	300	0.40	2700
GTCH1005PF-15N <input type="checkbox"/>	15.0	J , K	8.0	300	0.46	2300
GTCH1005PF-18N <input type="checkbox"/>	18.0	J , K	8.0	300	0.55	2100
GTCH1005PF-22N <input type="checkbox"/>	22.0	J , K	8.0	300	0.60	1900
GTCH1005PF-27N <input type="checkbox"/>	27.0	J , K	8.0	300	0.70	1600
GTCH1005PF-33N <input type="checkbox"/>	33.0	J , K	8.0	200	0.80	1300

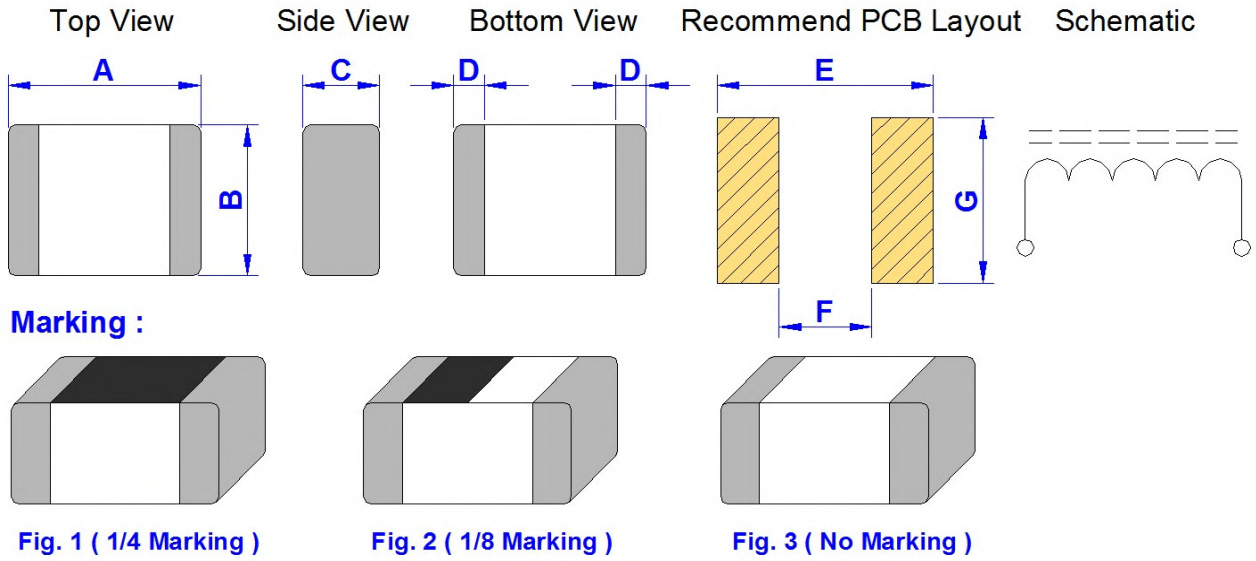
* Inductance tolerance : J = ± 5% ; K = ± 10%

* Rated Current based on increasing product temperature : Current when temperature of the product reaches +40 deg.C .

Product Series : GTCH	Brand : GOTREND
File Version : GTCH-SERIES-V1R9	Editor : Teddy Sun
Established Date : 2012.10.05	Description : Multilayer Ceramic High-Frequency Inductor
Latest Edit Date : 2020.11.06	Product Type : <input checked="" type="checkbox"/> Standard <input type="checkbox"/> Customize

GTCH1608PF-SERIES

Dimension [mm] :



Size	A	B	C	D	E(Ref.)	F(Ref.)	G(Ref.)
1608 [0603]	1.60+/-0.15	0.80+/-0.15	0.80+/-0.15	0.30+/-0.20	2.60	0.60	0.80

Electrical Characteristics :

Part No.	Inductance (nH) @100MHz	Inductance Tolerance	Q Min.	L,Q Test Freq. (MHz)	Rated Current(mA) Max.	DCR (Ohm) Max.	S.R.F (MHz) Min.
GTCH1608PF-1N0 <input type="checkbox"/>	1.0	S	8.0	100	300	0.05	10000
GTCH1608PF-1N2 <input type="checkbox"/>	1.2	S	8.0	100	300	0.05	10000
GTCH1608PF-1N5 <input type="checkbox"/>	1.5	S	8.0	100	500	0.10	10000
GTCH1608PF-1N8 <input type="checkbox"/>	1.8	S	8.0	100	300	0.10	6000
GTCH1608PF-2N2 <input type="checkbox"/>	2.2	S	8.0	100	300	0.10	6000
GTCH1608PF-2N7 <input type="checkbox"/>	2.7	S	10.0	100	300	0.10	6000
GTCH1608PF-3N3 <input type="checkbox"/>	3.3	J , K	10.0	100	300	0.12	6000
GTCH1608PF-3N9 <input type="checkbox"/>	3.9	J , K	10.0	100	300	0.14	6000
GTCH1608PF-4N7 <input type="checkbox"/>	4.7	J , K	10.0	100	300	0.16	4000
GTCH1608PF-5N6 <input type="checkbox"/>	5.6	J , K	10.0	100	300	0.18	4000
GTCH1608PF-6N8 <input type="checkbox"/>	6.8	J , K	10.0	100	300	0.22	4000
GTCH1608PF-8N2 <input type="checkbox"/>	8.2	J , K	10.0	100	300	0.24	3500
GTCH1608PF-10N <input type="checkbox"/>	10.0	J , K	12.0	100	300	0.26	3400
GTCH1608PF-12N <input type="checkbox"/>	12.0	J , K	12.0	100	300	0.30	2600
GTCH1608PF-15N <input type="checkbox"/>	15.0	J , K	12.0	100	300	0.32	2300
GTCH1608PF-18N <input type="checkbox"/>	18.0	J , K	12.0	100	300	0.35	2000
GTCH1608PF-22N <input type="checkbox"/>	22.0	J , K	12.0	100	300	0.40	1600
GTCH1608PF-27N <input type="checkbox"/>	27.0	J , K	12.0	100	300	0.45	1400
GTCH1608PF-33N <input type="checkbox"/>	33.0	J , K	12.0	100	300	0.55	1200
GTCH1608PF-39N <input type="checkbox"/>	39.0	J , K	12.0	100	300	0.60	1100

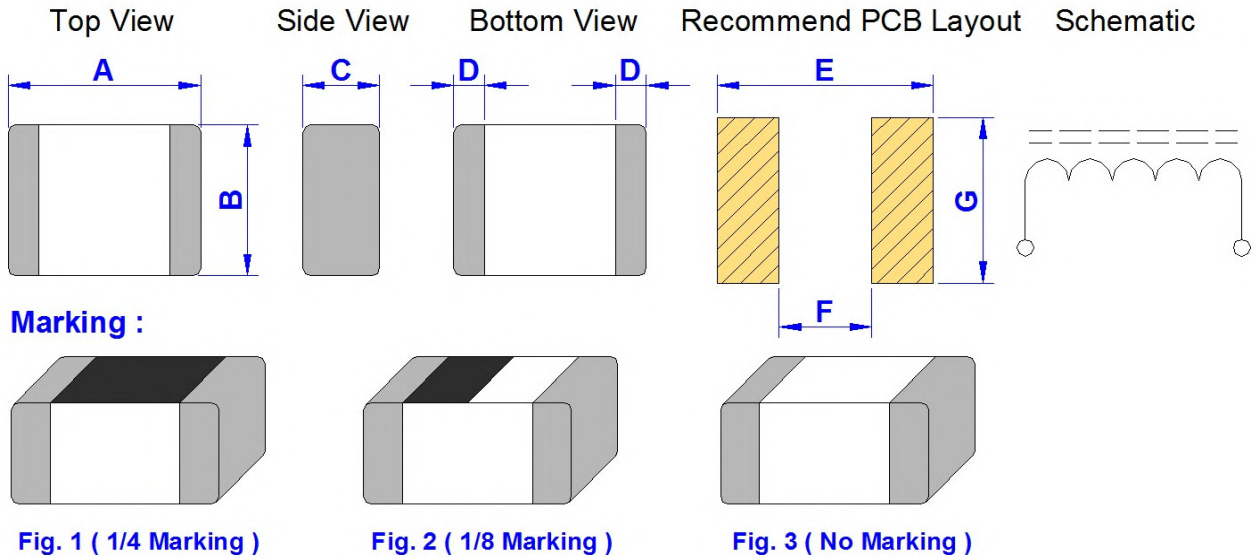
* Inductance tolerance : S = ± 0.3 nH ; J = ± 5% ; K = ± 10%

* Rated Current based on increasing product temperature : Current when temperature of the product reaches +40 deg.C .

Product Series : GTCH	Brand : GOTREND
File Version : GTCH-SERIES-V1R9	Editor : Teddy Sun
Established Date : 2012.10.05	Description : Multilayer Ceramic High-Frequency Inductor
Latest Edit Date : 2020.11.06	Product Type : <input checked="" type="checkbox"/> Standard <input type="checkbox"/> Customize

GTCH1608PF-SERIES

Dimension [mm] :



Size	A	B	C	D	E(Ref.)	F(Ref.)	G(Ref.)
1608 [0603]	1.60+/-0.15	0.80+/-0.15	0.80+/-0.15	0.30+/-0.20	2.60	0.60	0.80

Electrical Characteristics :

Part No.	Inductance (nH) @100MHz	Inductance Tolerance	Q Min.	L,Q Test Freq. (MHz)	Rated Current(mA) Max.	DCR (Ohm) Max.	S.R.F (MHz) Min.
GTCH1608PF-47N <input type="checkbox"/>	47.0	J , K	12.0	100	300	0.70	900
GTCH1608PF-56N <input type="checkbox"/>	56.0	J , K	12.0	100	300	0.75	900
GTCH1608PF-68N <input type="checkbox"/>	68.0	J , K	12.0	100	300	0.85	700
GTCH1608PF-82N <input type="checkbox"/>	82.0	J , K	12.0	100	300	0.95	600
GTCH1608PF-R10 <input type="checkbox"/>	100.0	J , K	12.0	100	300	1.00	600
GTCH1608PF-R12 <input type="checkbox"/>	120.0	J , K	8.0	50	300	1.30	500
GTCH1608PF-R15 <input type="checkbox"/>	150.0	J , K	8.0	50	300	1.50	500
GTCH1608PF-R18 <input type="checkbox"/>	180.0	J , K	8.0	50	300	1.80	400
GTCH1608PF-R22 <input type="checkbox"/>	220.0	J , K	8.0	50	300	2.10	400
GTCH1608PF-R27 <input type="checkbox"/>	270.0	J , K	8.0	50	300	2.40	350
GTCH1608PF-R33 <input type="checkbox"/>	330.0	J , K	8.0	50	300	3.00	350
GTCH1608PF-R39 <input type="checkbox"/>	390.0	J , K	8.0	50	150	3.00	350
GTCH1608PF-R47 <input type="checkbox"/>	470.0	J , K	8.0	50	150	3.60	250

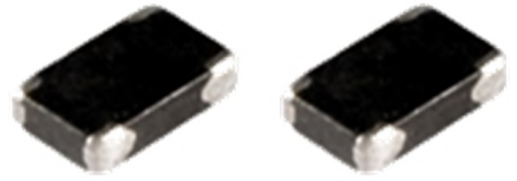
* Inductance tolerance : J = ± 5% ; K = ± 10%

* Rated Current based on increasing product temperature : Current when temperature of the product reaches +40 deg.C .

Product Series : GBDC	Brand : GOTREND
File Version : GBDC-SERIES-V1R1	Editor : Teddy Sun
Established Date : 2011.08.24	Description : Multilayer Ferrite Common Mode
Latest Edit Date : 2020.10.29	Product Type : <input checked="" type="checkbox"/> Standard <input type="checkbox"/> Customize

Features & Application :

- * The GBDC series is effective for common mode noise suppression in digital equipment which causes radiation from cables.
- * Low leakage flux due to monolithic structure enables high-density mounting.
- * The nickel barrier structure of the external electrodes provides excellent solder heat resistance.
- * Prevention of common mode noise on signal line in personal computers , computer built in equipments , facsimiles , digital telephones , etc...



(Picture for reference only)

Part No. Example :

PN	:	GBDC	2012	P	-	900	N
-----		-----	-----	---		-----	----
ID	:	1	2	3		4	5
1	:	GBD : GOTREND Series					
2	:	2012 : Length 2.0 mm x Width 1.25 mm x Height 0.9 mm					
3	:	P : Pb < 1000ppm					
4	:	900 : Impedance (Ohm) = 900 Ohm					
5	:	N : Tolerance N = Typ.					

Basic Information :

Made in	China
Pin Foot	SMD
Shielding	Yes
J-STD-020	MSL Level 1
RoHS	Compliant
REACH	Compliant
Halogen	Free

Operating & Storage Condition :

- * Operating Temp -40 ~ +125 deg.C (Including self - temperature rise)
- * Storage Temp 1. -10 ~ +45 deg.C , 50 ~ 60% RH (Product with taping)
2. -40 ~ +125 deg.C (On board)
- * Storage Life Time 12 Month (Less than 40 deg.C and 60% RH)

Attention & Caution :

- * Keep out of Splashing water or salt water
- * Avoid Toxic Gas (Hydrogen sulfide, Sulfurous acid, Chlorine, Ammonia)
- Vibrations or shocks which exceed the specified condition
- Dew condense
- Layout near the edge of PCB
- Over flexure after SMT mounting & PCBA



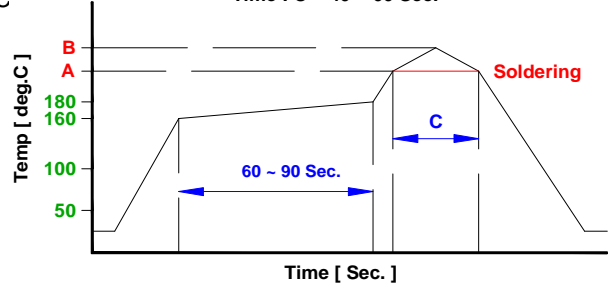
- * Pin foot or SMD pad solderability: Pb free type is best within 6 months after delivery
- * Humidity sensitive , IPC/JEDEC J-STD-020 MSL if over Level 1, recommend bake 30mins@150 degree before PCBA
- * Caution for human life relative applications : PLS contact & consult with GOTREND team in design stage.

Test Condition :

- * Equipment HP4284A , HP42841A - L , Q , DCR , IDC
HP8753D Network analyzer - SRF
- * Standard Atmosphere Conditions:
Ambient Temperature 20 ± 15 deg.C
Humidity RH 65 ± 20%
- * If there may be any doubt on the test result ,
Measurement shall be made within the following limits:
Ambient Temperature 25 ± 5 deg.C
Humidity RH 75 ± 10%

Recommend IR Reflow Curve : GTX-IR-FILE001

Lead Free Solder : A = 217 deg.C , B = 245+/-5 deg.C
Time : C = 40 ~ 60 Sec.

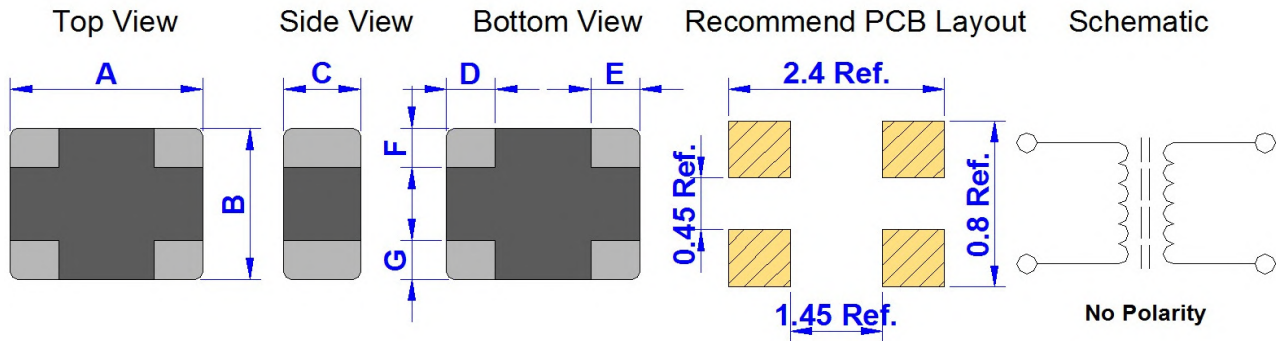


**Notice : Iron Soldering , Solder < 30 Watt ,
Direct touch the terminal x 3 Sec. Max. @ 350 deg.C**

Product Series : GBDC	Brand : GOTREND
File Version : GBDC-SERIES-V1R1	Editor : Teddy Sun
Established Date : 2011.08.24	Description : Multilayer Ferrite Common Mode
Latest Edit Date : 2020.10.29	Product Type : <input checked="" type="checkbox"/> Standard <input type="checkbox"/> Customize

GBDC2012P-SERIES

Dimension [mm] :



Size	A	B	C	D	E	F	G
2012	2.00+/-0.20	1.25+/-0.20	0.90+/-0.20	0.40+/-0.20	0.40+/-0.20	0.30+/-0.20	0.30+/-0.20

Electrical Characteristics :

Part No.	Common Mode Z (Ohm)	Test Freq. (MHz)	DC Resistance (Ohm)	Rated Current (mA)	Line To Line Resistance (Ohm)	Rated Voltage (VDC)	Withstand Voltage (V)
GBDC2012P - 900N	90.0 Typ.	100 / 50 mV	0.70 max.	400 max.	100M min.	10.0 max.	25.0 max.
GBDC2012P - 101N	100.0 Typ.	100 / 50 mV	0.70 max.	400 max.	100M min.	10.0 max.	25.0 max.
GBDC2012P - 121N	120.0 Typ.	100 / 50 mV	0.70 max.	400 max.	100M min.	10.0 max.	25.0 max.

■ Rated Current : For a 40°C temprature rise from 25°C ambient.

Product Series : GCMD	Brand : GOTREND
File Version : GCMD-SERIES-V1R4	Editor : Teddy Sun
Established Date : 2014.11.11	Description : SMD Common Mode Choke
Latest Edit Date : 2020.10.29	Product Type : <input checked="" type="checkbox"/> Standard <input type="checkbox"/> Customize

Features & Application :

- * As a transformer : SPEIC , flyback
- * As an inductor : buck , boost , coupled inductor
- * DC-DC converters
- * VRM inductor for CPU and DDR power supplies
- * Power / Signal line input and output filter chokes



(Picture for reference only)

Part No. Example :

PN	:	GCMD	8035	P	-	6R0	Y
-----		-----	-----	---		-----	----
ID	:	1	2	3		4	5
1	:	GOTREND Series Code					
2	:	Dimension Code : 8035 = L 8.0 x W 5.3 x H 3.5 mm					
3	:	RoHS Compliant					
4	:	Inductance : 6R0 = 60 uH , Ex : 151 = 150 uH					
5	:	Tolerance : Y = +30% / -50% or +/-40%					

Basic Information :

Made in	China
Pin Foot	SMD
Shielding	Yes
J-STD-020	MSL Level 1
RoHS	Compliant
REACH	Compliant
Halogen	Free

Operating & Storage Condition :

- * Operating Temp -40 ~ +125 deg.C (Including self - temperature rise)
- * Storage Temp 1. -10 ~ +45 deg.C , 50 ~ 60% RH (Product with taping)
2. -40 ~ +125 deg.C (On board)
- * Storage Life Time 6 Month (Less than 40 deg.C and 60% RH)

Attention & Caution :

- * Keep out of Splashing water or salt water
- * Avoid Toxic Gas (Hydrogen sulfide, Sulfurous acid, Chlorine, Ammonia)
- * Avoid Vibrations or shocks which exceed the specified condition
- * Avoid Dew condense
- * Avoid Layout near the edge of PCB
- * Avoid Over flexure after SMT mounting & PCBA
- * Pin foot or SMD pad solderability: Pb free type is best within 6 months after delivery
- * Humidity sensitive , IPC/JEDEC J-STD-020 MSL if over Level 1, recommend bake 30mins@150 degree before PCBA
- * Caution for human life relative applications : PLS contact & consult with GOTREND team in design stage.

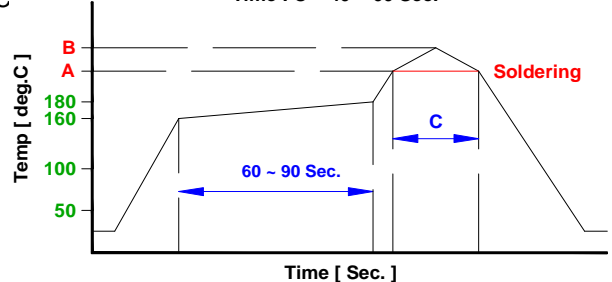


Test Condition :

- * Equipment HP4284A , HP42841A - L , Q , DCR , IDC
HP8753D Network analyzer - SRF
- * Standard Atmosphere Conditions:
Ambient Temperature 20 ± 15 deg.C
Humidity RH 65 ± 20%
- * If there may be any doubt on the test result ,
Measurement shall be made within the following limits:
Ambient Temperature 25 ± 5 deg.C
Humidity RH 75 ± 10%

Recommend IR Reflow Curve : GTX-IR-FILE001

Lead Free Solder : A = 217 deg.C , B = 245+/-5 deg.C
Time : C = 40 ~ 60 Sec.

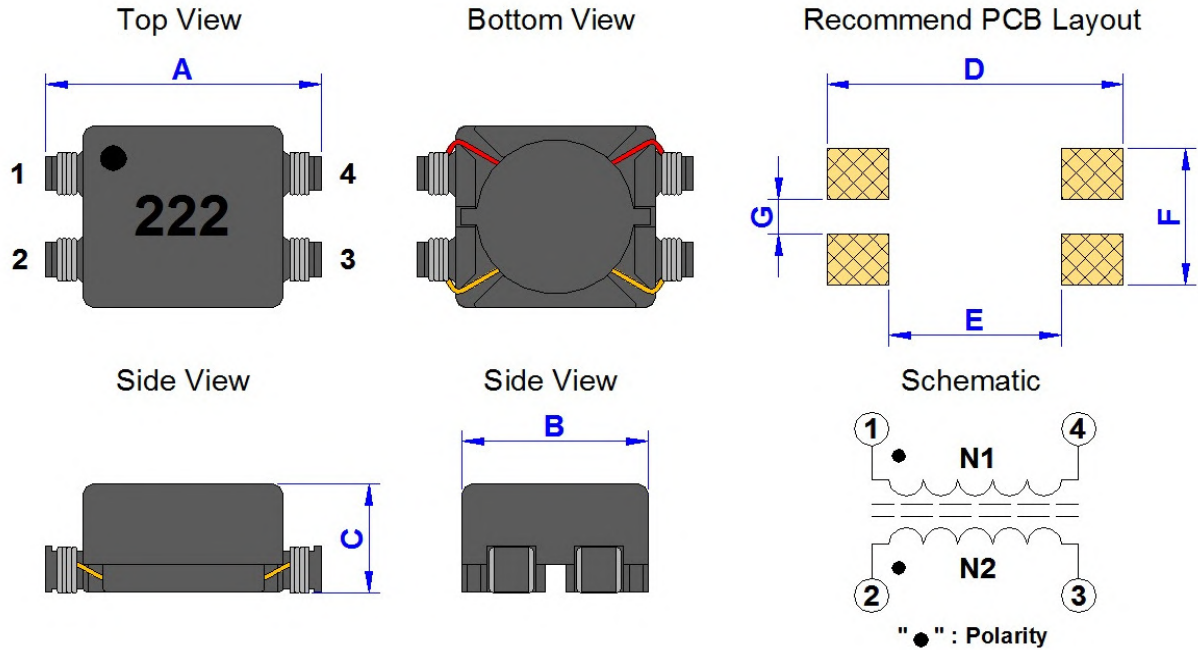


**Notice : Iron Soldering , Solder < 30 Watt ,
Direct touch the terminal x 3 Sec. Max. @ 350 deg.C**

Product Series : GCMD	Brand : GOTREND
File Version : GCMD-SERIES-V1R4	Editor : Teddy Sun
Established Date : 2014.11.11	Description : SMD Common Mode Choke
Latest Edit Date : 2020.10.29	Product Type : <input checked="" type="checkbox"/> Standard <input type="checkbox"/> Customize

GCMD8035P-SERIES

Dimension [mm] :



Size	A(+/-0.2)	B(+/-0.2)	C(Max.)	D(Ref.)	E(Ref.)	F(Ref.)	G(Ref.)
8035	8.00	5.30	3.50	8.60	5.00	4.04	1.04

Electrical Characteristics :

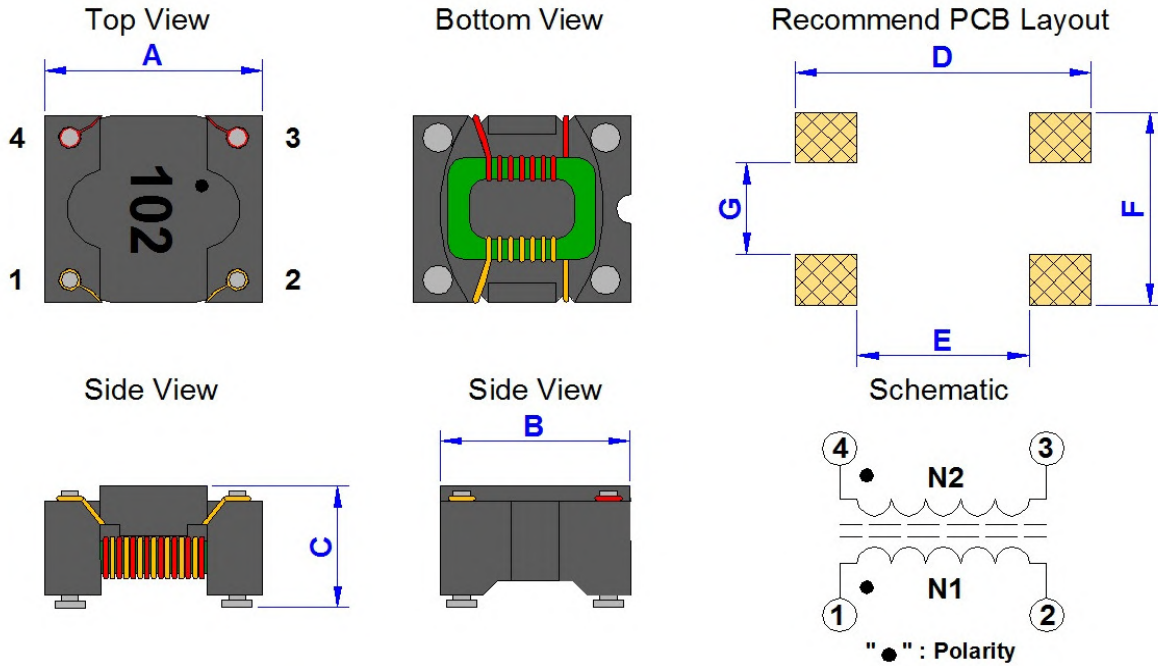
Part No.	Inductance L1 , L2 (uH)	Inductance Test Frequency	DC Resistance N1 , N2 (Ω)	Rated Current (A)	Impedance (Ω)	Impedance Frequency Range(MHz)	Marking
GCMD8035P-6R0Y	6.0+/-40%	100KHz	0.040 Max.	2.00 Max.	90 Min.	30 ~ 500	6R0
GCMD8035P-7R8Y	7.8+/-40%	100KHz	0.035 Max.	3.00 Max.	200 Min.	20 ~ 300	7R8
GCMD8035P-151Y	150+/-40%	100KHz	0.420 Max.	0.65 Max.	900 Min.	3 ~ 30	151
GCMD8035P-222Y	2200+50%/-30%	10KHz	0.520 Max.	0.50 Max.	5300 Typ.	5.0	222

■ Rated Current : The actual value of DC current when the top surface of test sample temperature rise is $\Delta T = 40^{\circ}\text{C}$ ($T_a = 25^{\circ}\text{C}$).

Product Series : GCMD	Brand : GOTREND
File Version : GCMD-SERIES-V1R4	Editor : Teddy Sun
Established Date : 2014.11.11	Description : SMD Common Mode Choke
Latest Edit Date : 2020.10.29	Product Type : <input checked="" type="checkbox"/> Standard <input type="checkbox"/> Customize

GCMD1065P-SERIES

Dimension [mm] :



Size	A(+/-0.3)	B(+/-0.3)	C(Max.)	D(Ref.)	E(Ref.)	F(Ref.)	G(Ref.)
1065	10.00	8.70	6.50	10.32	4.92	8.92	3.52

Electrical Characteristics :

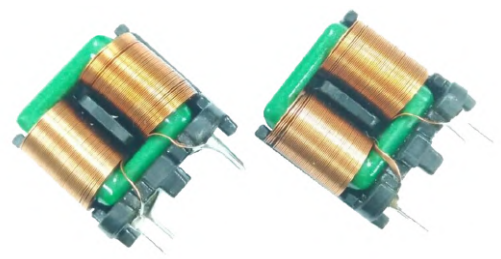
Part No.	Inductance L1 , L2 (uH)	Inductance Test Frequency	DC Resistance N1 , N2 (Ω)	Rated Current (Amp) Max.	Hi-Pot	Marking
GCMD1065P-251Y	250.0+/-40%	100KHz / 0.1V	0.035	2.00	500V 3Sec	251
GCMD1065P-102Y	1000+/-40%	100KHz / 0.1V	0.18	0.95	500V 3Sec	102
GCMD1065P-302Y	3000+/-40%	100KHz / 0.1V	0.33	0.65	500V 3Sec	302
GCMD1065P-392Y	3900+/-40%	100KHz / 0.1V	0.55	0.75	500V 3Sec	392
GCMD1065P-502Y	5000+/-40%	100KHz / 0.1V	0.62	0.52	500V 3Sec	502
GCMD1065P-752Y	7500+/-40%	100KHz / 0.1V	0.65	0.42	500V 3Sec	752
GCMD1065P-103Y	10000+/-40%	100KHz / 0.1V	0.72	0.42	500V 3Sec	103
GCMD1065P-153Y	15000+/-40%	100KHz / 0.1V	0.78	0.42	500V 3Sec	153
GCMD1065P-203Y	20000+/-40%	100KHz / 0.1V	1.00	0.40	500V 3Sec	203
GCMD1065P-253Y	25000+/-40%	100KHz / 0.1V	1.40	0.26	500V 3Sec	253
GCMD1065P-303Y	30000+/-40%	100KHz / 0.1V	1.55	0.26	500V 3Sec	303

■ Rated Current : The actual value of DC current when the top surface of test sample temperature rise is $\Delta T = 40^{\circ}\text{C}$ ($T_a = 25^{\circ}\text{C}$).

Product Series : GCMH	Brand : GOTREND
File Version : GCMH-SERIES-V1R1	Editor : Teddy Sun
Established Date : 2017.11.22	Description : High Current Common Mode
Latest Edit Date : 2020.10.30	Product Type : <input checked="" type="checkbox"/> Standard <input type="checkbox"/> Customize

Features & Application :

- * Dip High Current Common Mode
- * Fit for power line & signal line circuit
- * To help you go pass the CE / FCC standard.
- * Power Line , Communication , ADSL , Modeml etc.



(Picture for reference only)

Part No. Example :

PN	:	GCMH	<input type="checkbox"/>	<input type="checkbox"/>	<input type="checkbox"/>	<input type="checkbox"/>	P	<input type="checkbox"/>	-	<input type="checkbox"/>	<input type="checkbox"/>	<input type="checkbox"/>
-----		-----	-----	---	---	-----	---	---		-----	---	---
ID	:	1	2	S	3	4	5	6				
1	:	GOTREND series code : Common Mode - High Current Type										
2	:	Core size code : 1515 = SQ1515 etc.										
S	:	Pb free code : P = Pb free < 1000 ppm										
3	:	Structure code : H = Horizontal ; V = Vertical										
4	:	Inductance value : 153 = 15.0 mH etc.										
5	:	Toleranve code : N = Min.										
6	:	Special code for customer design : 1 ~ 9										

Basic Information :

Made in	China
Pin Foot	DIP
Shielding	Yes
J-STD-020	MSL Level 1
RoHS	Compliant
REACH	Compliant
Halogen	Free

Operating & Storage Condition :

- * Operating Temp -40 ~ +105 deg.C (Including self - temperature rise)
- * Storage Temp 1. -10 ~ +45 deg.C , 50 ~ 60% RH (Product with taping)
2. -40 ~ +105 deg.C (On board)
- * Storage Life Time 6 Month (Less than 40 deg.C and 60% RH)

Attention & Caution :

- * Keep out of Splashing water or salt water
- * Avoid Toxic Gas (Hydrogen sulfide, Sulfurous acid, Chlorine, Ammonia)
- * Avoid Vibrations or shocks which exceed the specified condition
- * Avoid Dew condense
- * Avoid Layout near the edge of PCB
- * Avoid Over flexure after SMT mounting & PCBA



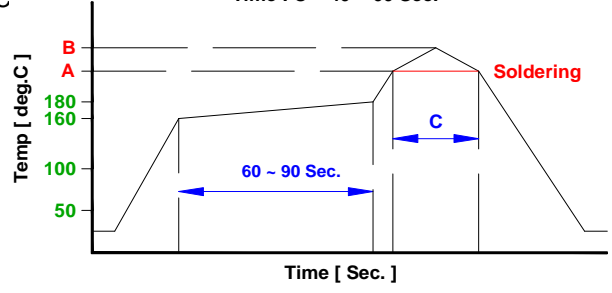
- * Pin foot or SMD pad solderability: Pb free type is best within 6 months after delivery
- * Humidity sensitive , IPC/JEDEC J-STD-020 MSL if over Level 1, recommend bake 30mins@150 degree before PCBA
- * Caution for human life relative applications : PLS contact & consult with GOTREND team in design stage.

Test Condition :

- * Equipment HP4284A , HP42841A - L , Q , DCR , IDC
HP8753D Network analyzer - SRF
- * Standard Atmosphere Conditions:
Ambient Temperature 20 ± 15 deg.C
Humidity RH 65 ± 20%
- * If there may be any doubt on the test result ,
Measurement shall be made within the following limits:
Ambient Temperature 25 ± 5 deg.C
Humidity RH 75 ± 10%

Recommend IR Reflow Curve : GTX-IR-FILE001

Lead Free Solder : A = 217 deg.C , B = 245+/-5 deg.C
Time : C = 40 ~ 60 Sec.

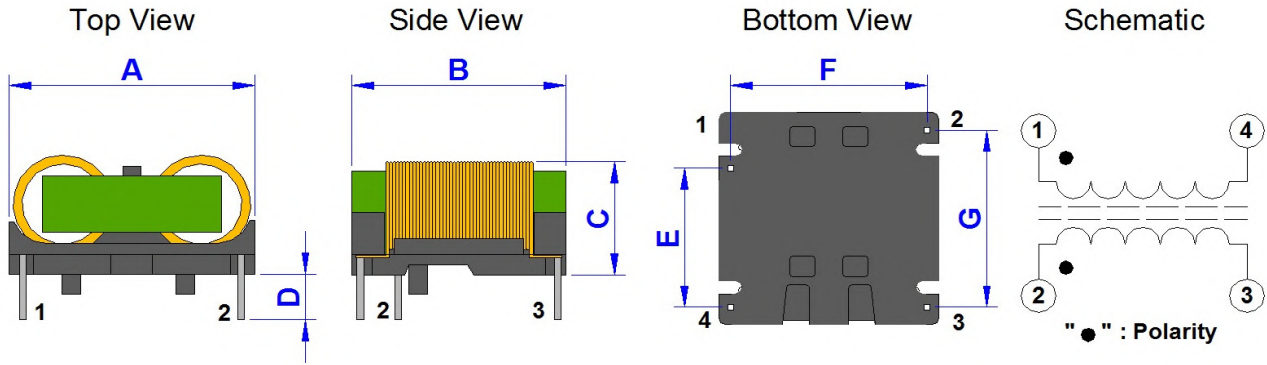


**Notice : Iron Soldering , Solder < 30 Watt ,
Direct touch the terminal x 3 Sec. Max. @ 350 deg.C**

Product Series : GCMH	Brand : GOTREND
File Version : GCMH-SERIES-V1R1	Editor : Teddy Sun
Established Date : 2017.11.22	Description : High Current Common Mode
Latest Edit Date : 2020.10.30	Product Type : <input checked="" type="checkbox"/> Standard <input type="checkbox"/> Customize

GCMH1515PH-SERIES

Dimension [mm] :



Size	A(Max.)	B(Max.)	C(Max.)	D(+/-0.5)	E(+/-0.3)	F(+/-0.3)	G(+/-0.3)
1515PH	21.0	17.0	14.0	3.5	9.0	17.0	13.0

Electrical Characteristics :

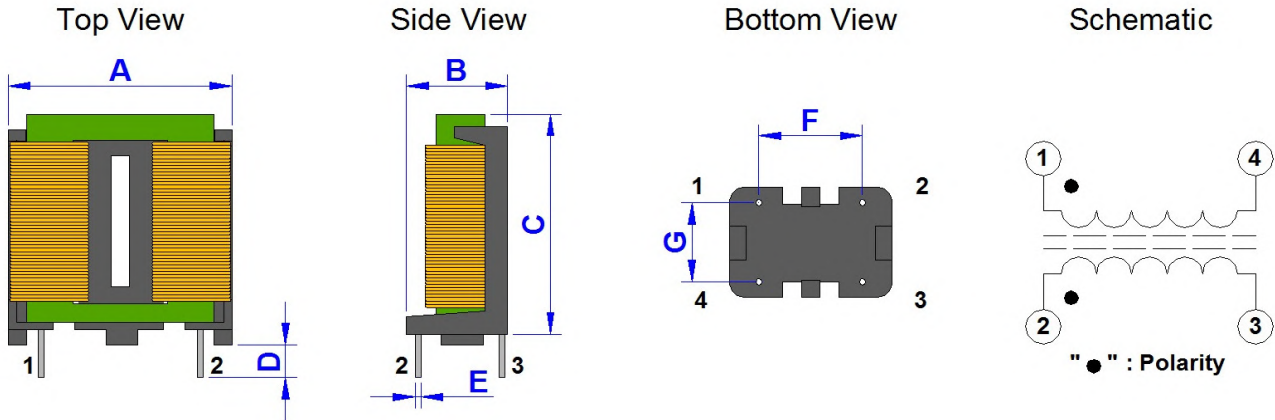
Part No.	Inductance L1-4 = L2-3 Min.	Inductance L1-4 - L2-3 Max.	Wire diameter N1-4 = N2-3	DCR Max.	HI-POT 5 mA / 60 sec.
GCMH1515PH-153N	15.0 mH	100.0 uH	0.13 x 1.0 mm	250 m Ohm	1500 VAC

* Inductance Test Ccondition : 1.0 KHz / 0.25V @25 °C

Product Series : GCMH	Brand : GOTREND
File Version : GCMH-SERIES-V1R1	Editor : Teddy Sun
Established Date : 2017.11.22	Description : High Current Common Mode
Latest Edit Date : 2020.10.30	Product Type : <input checked="" type="checkbox"/> Standard <input type="checkbox"/> Customize

GCMH1515PV-SERIES

Dimension [mm] :



Size	A(Max.)	B(Max.)	C(Max.)	D(+/-0.5)	E(+/-0.1)	F(+/-0.3)	G(+/-0.3)
1515PV	21.0	14.5	22.0	4.0	0.8	12.8	10.0

Electrical Characteristics :

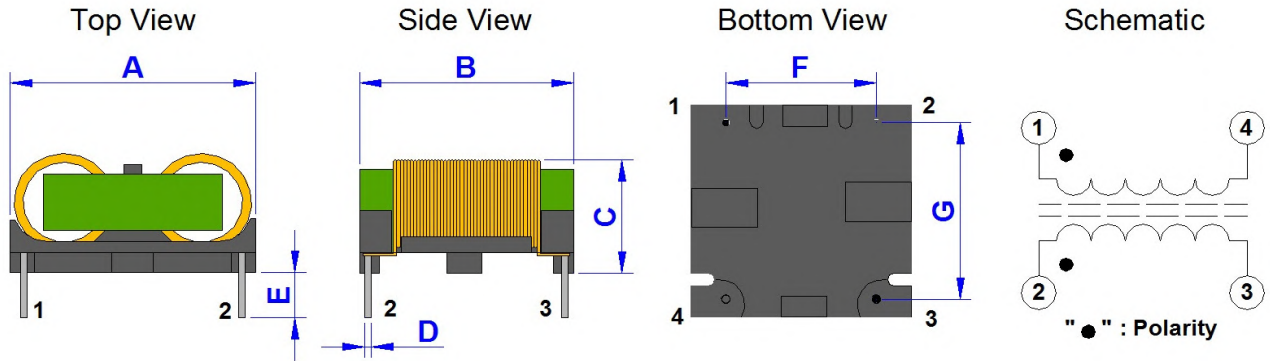
Part No.	Inductance L1-4 = L2-3 Min.	Inductance L1-4 - L2-3 Max.	Wire diameter N1-4 = N2-3	DCR Max.	HI-POT 5 mA / 60 sec.
GCMH1515PV-153N	15.0 mH	100.0 uH	0.13 x 1.0 mm	250 m Ohm	1500 VAC
GCMH1515PV-253N	25.0 mH	100.0 uH	0.13 x 1.0 mm	250 m Ohm	1500 VAC

* Inductance Test Condition : 1.0 KHz / 0.25V @25 °C

Product Series : GCMH	Brand : GOTREND
File Version : GCMH-SERIES-V1R1	Editor : Teddy Sun
Established Date : 2017.11.22	Description : High Current Common Mode
Latest Edit Date : 2020.10.30	Product Type : <input checked="" type="checkbox"/> Standard <input type="checkbox"/> Customize

GCMH1918PH-SERIES

Dimension [mm] :



Size	A(Max.)	B(Max.)	C(Max.)	D(Ref.)	E(+/-0.5)	F(+/-0.3)	G(+/-0.3)
1918	24.0	22.0	14.0	1.0	4.0	16.5	15.0

Electrical Characteristics :

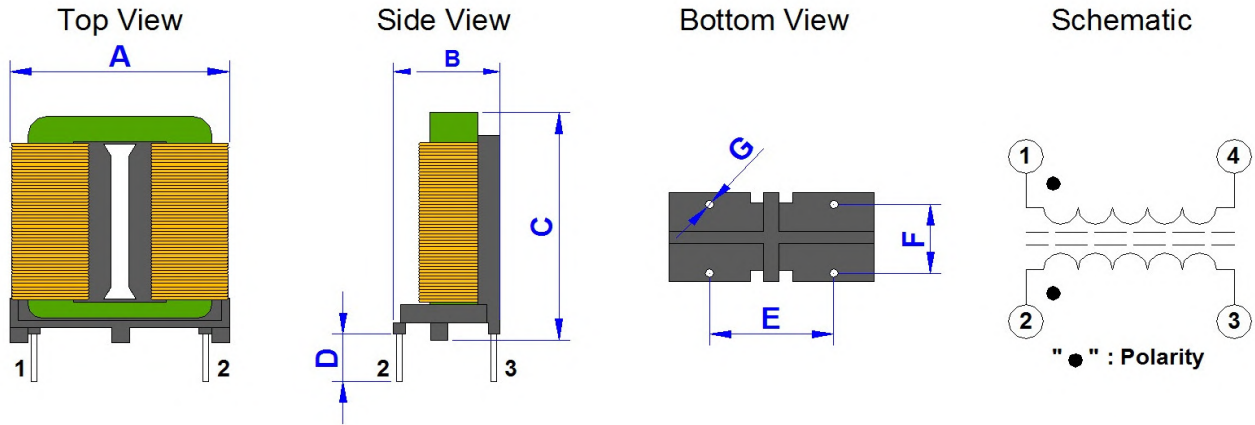
Part No.	Inductance L1-4 = L2-3 Min.	Inductance L1-4 - L2-3 Max.	Wire diameter N1-4 = N2-3	DCR Max.	HI-POT 5 mA / 60 sec.
GCMH1918PH-123N	12.0 mH	100.0 uH	0.15 x 1.0 mm	N / A	1500 VAC

* Inductance Test Ccondition : 1.0 KHz / 0.25V @25 °C

Product Series : GCMH	Brand : GOTREND
File Version : GCMH-SERIES-V1R1	Editor : Teddy Sun
Established Date : 2017.11.22	Description : High Current Common Mode
Latest Edit Date : 2020.10.30	Product Type : <input checked="" type="checkbox"/> Standard <input type="checkbox"/> Customize

GCMH1918PV-SERIES

Dimension [mm] :



Size	A(Max.)	B(Max.)	C(Max.)	D(+/-0.5)	E(+/-0.5)	F(+/-0.5)	G(Ref.)
1918	23.5	15.0	27.0	4.0	13.0	10.0	0.8

Electrical Characteristics :

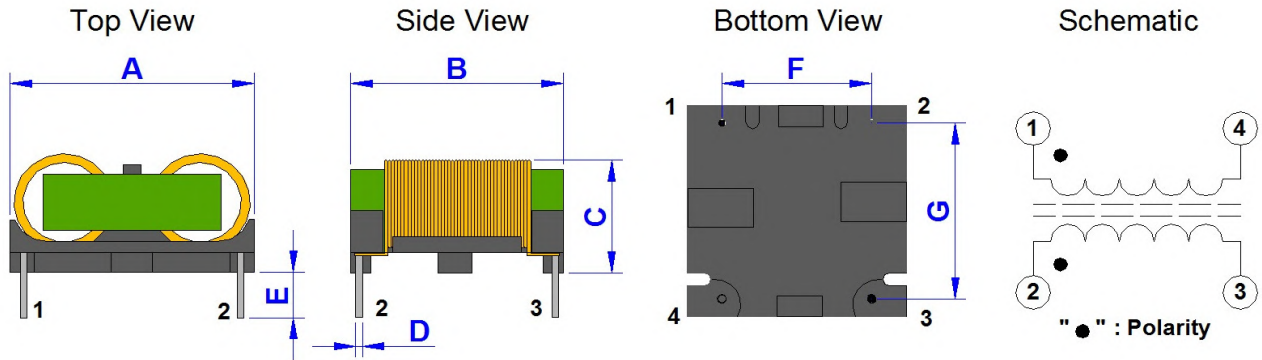
Part No.	Inductance L1-4 = L2-3 Min.	Inductance L1-4 - L2-3 Max.	Wire diameter N1-4 = N2-3	DCR Max.	HI-POT 5 mA / 60 sec.
GCMH1918PV-123N	12.0 mH	100.0 uH	0.15 x 1.0 mm	N / A	1500 VAC

* Inductance Test Condition : 1.0 KHz / 0.25V @25 °C

Product Series : GCMH	Brand : GOTREND
File Version : GCMH-SERIES-V1R1	Editor : Teddy Sun
Established Date : 2017.11.22	Description : High Current Common Mode
Latest Edit Date : 2020.10.30	Product Type : <input checked="" type="checkbox"/> Standard <input type="checkbox"/> Customize

GCMH2418PH-SERIES

Dimension [mm] :



Size	A(Max.)	B(Max.)	C(Max.)	D(Ref.)	E(+/-0.5)	F(+/-0.3)	G(+/-0.3)
2418	24.0	26.0	16.0	1.0	4.0	17.0	21.0

Electrical Characteristics :

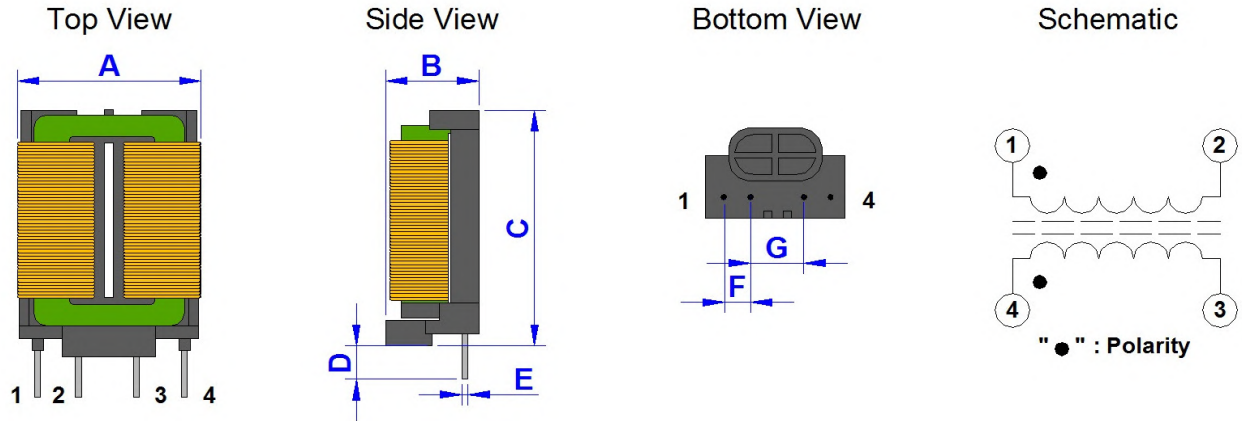
Part No.	Inductance L1-4 = L2-3 Min.	Inductance L1-4 - L2-3 Max.	Wire diameter N1-4 = N2-3	DCR Max.	HI-POT 5 mA / 60 sec.
GCMH2418PH-123N	12.0 mH	100.0 uH	0.15 x 1.0 mm	N / A	1500 VAC

* Inductance Test Ccondition : 1.0 KHz / 0.25V @25 °C

Product Series : GCMH	Brand : GOTREND
File Version : GCMH-SERIES-V1R1	Editor : Teddy Sun
Established Date : 2017.11.22	Description : High Current Common Mode
Latest Edit Date : 2020.10.30	Product Type : <input checked="" type="checkbox"/> Standard <input type="checkbox"/> Customize

GCMH2418PV-SERIES

Dimension [mm] :



Size	A(Max.)	B(Max.)	C(Max.)	D(+/-0.5)	E(Ref.)	F(+/-0.5)	G(+/-0.5)
2418	24.0	16.0	31.5	3.5	0.8	4.0	8.0

Electrical Characteristics :

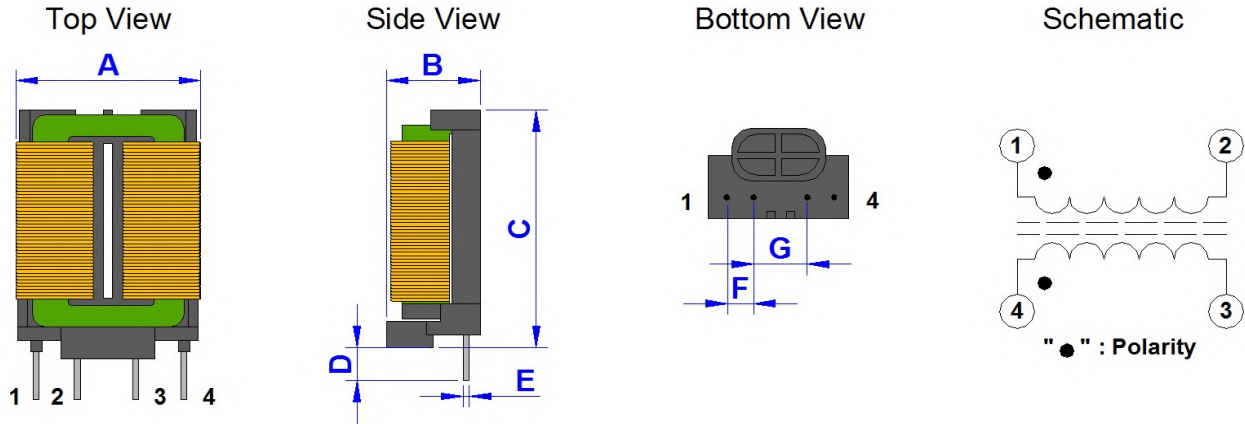
Part No.	Inductance L1-4 = L2-3 Min.	Inductance L1-4 - L2-3 Max.	Wire diameter N1-4 = N2-3	DCR Max.	HI-POT 5 mA / 60 sec.
GCMH2418PV-123N	12.0 mH	100.0 uH	0.20 x 1.5 mm	150 m Ohm	1500 VAC

* Inductance Test Condition : 1.0 KHz / 0.25V @25 °C

Product Series : GCMH	Brand : GOTREND
File Version : GCMH-SERIES-V1R1	Editor : Teddy Sun
Established Date : 2017.11.22	Description : High Current Common Mode
Latest Edit Date : 2020.10.30	Product Type : <input checked="" type="checkbox"/> Standard <input type="checkbox"/> Customize

GCMH2820PV-SERIES

Dimension [mm] :



Size	A(Max.)	B(Max.)	C(Max.)	D(+/-0.5)	E(Ref.)	F(+/-0.5)	G(+/-0.5)
2820	28.0	17.0	38.0	3.5	0.8	4.0	8.0

Electrical Characteristics :

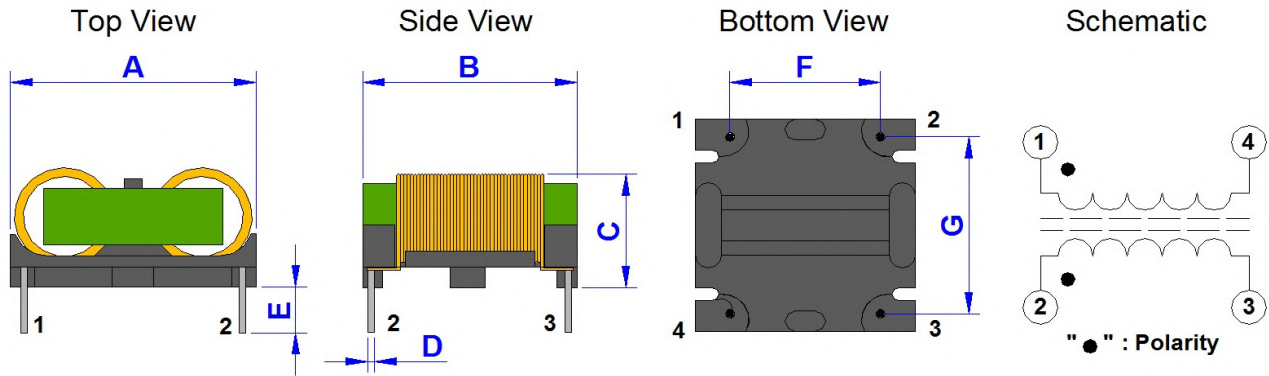
Part No.	Inductance L1-4 = L2-3 Min.	Inductance L1-4 - L2-3 Max.	Wire diameter N1-4 = N2-3	DCR Max.	HI-POT 5 mA / 60 sec.
GCMH2820PV-702N	7.0 mH	100.0 uH	0.60 x 1.0 mm	150 m Ohm	1500 VAC

* Inductance Test Condition : 1.0 KHz / 0.25V @25 °C

Product Series : GCMH	Brand : GOTREND
File Version : GCMH-SERIES-V1R1	Editor : Teddy Sun
Established Date : 2017.11.22	Description : High Current Common Mode
Latest Edit Date : 2020.10.30	Product Type : <input checked="" type="checkbox"/> Standard <input type="checkbox"/> Customize

GCMH3131PH-SERIES

Dimension [mm] :



Size	A(Max.)	B(Max.)	C(Max.)	D(Ref.)	E(+/-0.5)	F(+/-0.3)	G(+/-0.3)
3131	35.0	35.0	19.0	1.0	4.0	20.0	26.0

Electrical Characteristics :

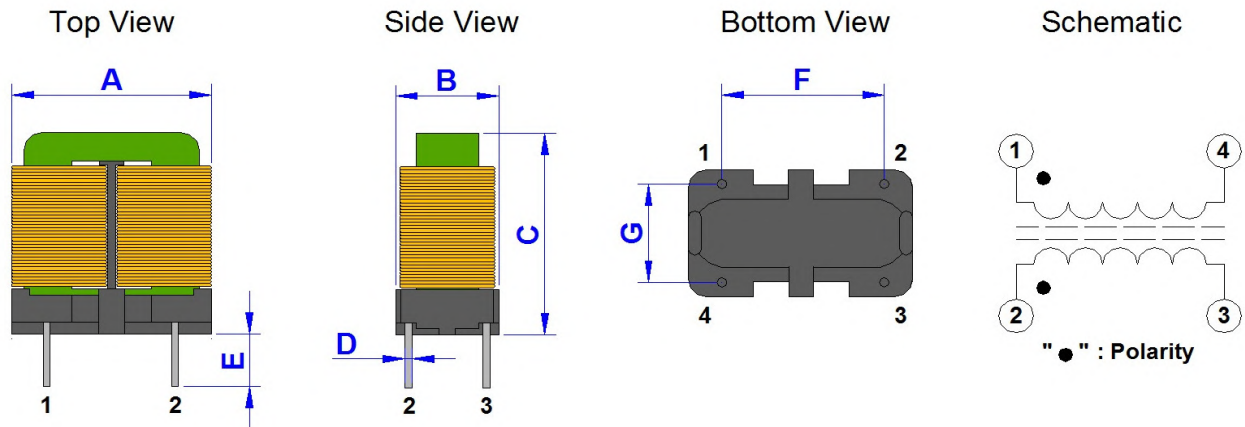
Part No.	Inductance L1-4 = L2-3 Min.	Inductance L1-4 - L2-3 Max.	Wire diameter N1-4 = N2-3	DCR Max.	HI-POT 5 mA / 60 sec.
GCMH3131PH-802N	8.0 mH	200.0 uH	0.60 x 1.0 mm	N / A	1500 VAC

* Inductance Test Condition : 1.0 KHz / 0.25V @25 °C

Product Series : GCMH	Brand : GOTREND
File Version : GCMH-SERIES-V1R1	Editor : Teddy Sun
Established Date : 2017.11.22	Description : High Current Common Mode
Latest Edit Date : 2020.10.30	Product Type : <input checked="" type="checkbox"/> Standard <input type="checkbox"/> Customize

GCMH3131PV-SERIES

Dimension [mm] :



Size	A(Max.)	B(Max.)	C(Max.)	D(Ref.)	E(+/-0.5)	F(+/-0.5)	G(+/-0.5)
3131	35.0	20.0	36.0	1.0	3.5	18.0	16.0

Electrical Characteristics :

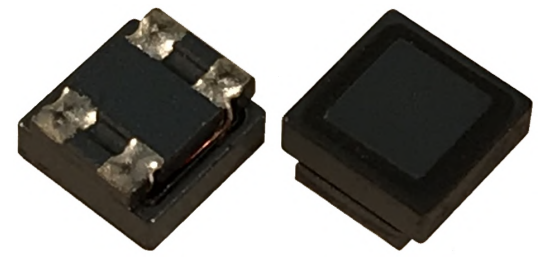
Part No.	Inductance L1-4 = L2-3 Min.	Inductance L1-4 - L2-3 Max.	Wire diameter N1-4 = N2-3	DCR Max.	HI-POT 5 mA / 60 sec.
GCMH3131PV-802N	8.0 mH	200.0 uH	0.60 x 1.0 mm	N / A	1500 VAC

* Inductance Test Condition : 1.0 KHz / 0.25V @25 °C

Product Series : GDLW	Brand : GOTREND
File Version : GDLW-SERIES-V1R8	Editor : Teddy Sun
Established Date : 2009.07.08	Description : Chip Common Mode Choke Coil
Latest Edit Date : 2020.10.30	Product Type : <input checked="" type="checkbox"/> Standard <input type="checkbox"/> Customize

Features & Application :

- * Chip Common Mode Choke Coil
- * Fit for power line & signal line circuit
- * To help you go pass the CE/FCC standard.
- * Mobile Device / Handheld Device / LowProfile Device / Panel...



(Picture for reference only)

Part No. Example :

PN	:	GDLW	0504	P	-	200	N
-----		-----	-----	---		-----	----
ID	:	1	2	3		4	5
1	:	GOTREND Series					
2	:	L 5.0mm X W 5.0mm X H 4.0mm					
3	:	Pb free<1000ppm					
4	:	Impedance [ohm] @10MHz = 20 ohm					
5	:	Tolerance N = Min.					

Basic Information :

Made in	China
Pin Foot	SMD
Shielding	Yes
J-STD-020	MSL Level 1
RoHS	Compliant
REACH	Compliant
Halogen	Free

Operating & Storage Condition :

- * Operating Temp -40 ~ +125 deg.C (Including self - temperature rise)
- * Storage Temp 1. -10 ~ +45 deg.C , 50 ~ 60% RH (Product with taping)
2. -40 ~ +125 deg.C (On board)
- * Storage Life Time 12 Month (Less than 40 deg.C and 60% RH)

Attention & Caution :

- * Keep out of Splashing water or salt water
- * Avoid Toxic Gas (Hydrogen sulfide, Sulfurous acid, Chlorine, Ammonia)
- * Avoid Vibrations or shocks which exceed the specified condition
- * Avoid Dew condense
- * Avoid Layout near the edge of PCB
- * Avoid Over flexure after SMT mounting & PCBA
- * Pin foot or SMD pad solderability: Pb free type is best within 6 months after delivery
- * Humidity sensitive , IPC/JEDEC J-STD-020 MSL if over Level 1, recommend bake 30mins@150 degree before PCBA
- * Caution for human life relative applications : PLS contact & consult with GOTREND team in design stage.

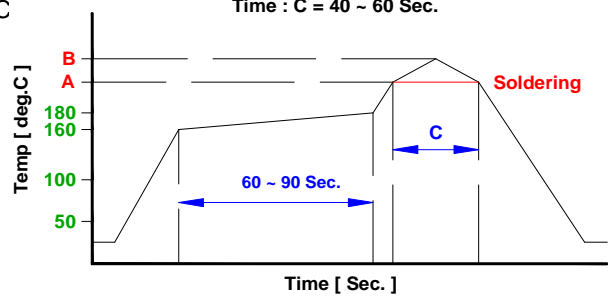


Test Condition :

- * Equipment HP4284A , HP42841A - L , Q , DCR , IDC
HP8753D Network analyzer - SRF
- * Standard Atmosphere Conditions:
Ambient Temperature 20 ± 15 deg.C
Humidity RH 65 ± 20%
- * If there may be any doubt on the test result ,
Measurement shall be made within the following limits:
Ambient Temperature 25 ± 5 deg.C
Humidity RH 75 ± 10%

Recommend IR Reflow Curve : GTX-IR-FILE001

Lead Free Solder : A = 217 deg.C , B = 245+/-5 deg.C
Time : C = 40 ~ 60 Sec.

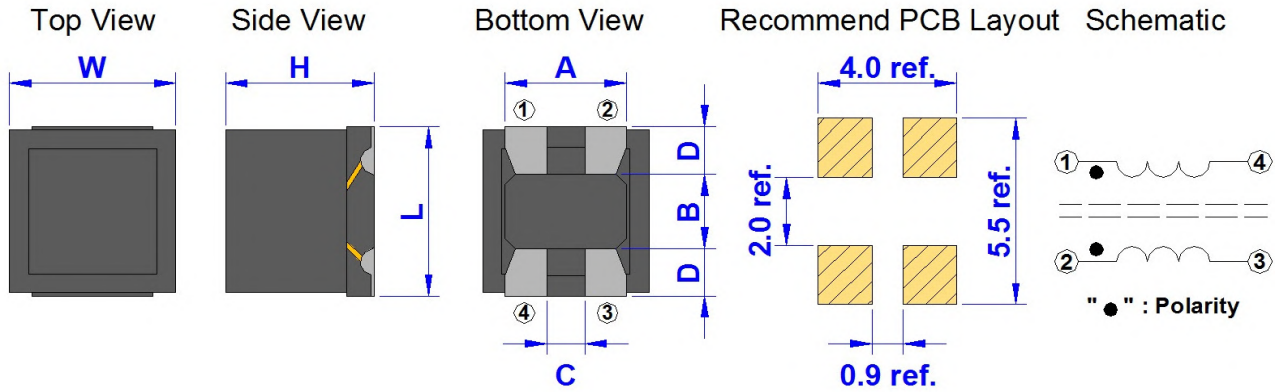


**Notice : Iron Soldering , Solder < 30 Watt ,
Direct touch the terminal x 3 Sec. Max. @ 350 deg.C**

Product Series : GDLW	Brand : GOTREND
File Version : GDLW-SERIES-V1R8	Editor : Teddy Sun
Established Date : 2009.07.08	Description : Chip Common Mode Choke Coil
Latest Edit Date : 2020.10.30	Product Type : <input checked="" type="checkbox"/> Standard <input type="checkbox"/> Customize

GDLW0502P-SERIES

Dimension [mm] :



Size	W	L	H	A	B	C	D
0502	4.8 +/-0.3	5.0 +/-0.3	2.5 max.	3.5 typ.	2.2 typ.	1.1 typ	1.4 typ

Electrical Characteristics :

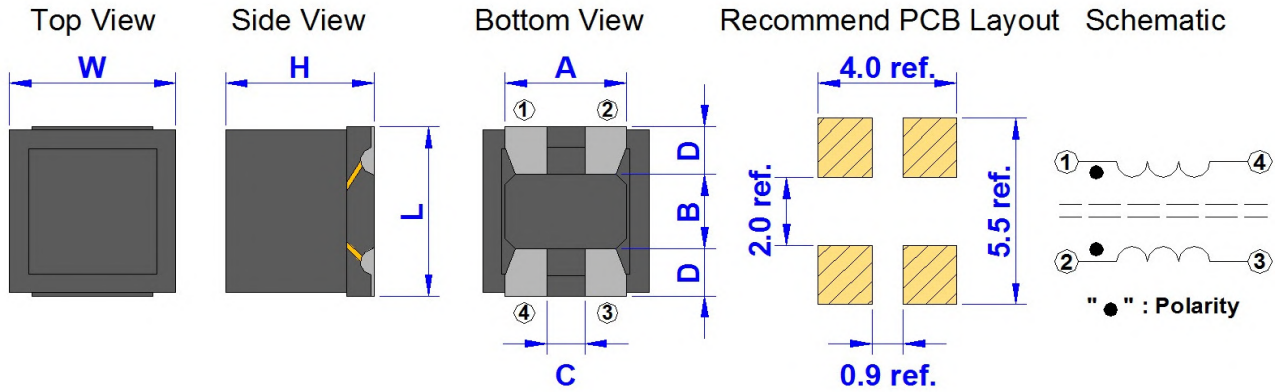
Part No.	Impedance (Ω) (Min.) @10MHz	Impedance (Ω) (Typ.) @100MHz	Rated Voltage V [DC]	Withstanding Voltage V [DC]	Rated Current [A]	DCR [Ω]	Insulation Resistance (MΩ) (Min.)
GDLW0502P - 100N	10	100	50	125	6.0	0.009+/-40%	10.0
GDLW0502P - 200N	20	250	50	125	5.0	0.014+/-40%	10.0
GDLW0502P - 300N	30	500	50	125	4.0	0.019+/-40%	10.0
GDLW0502P - 600N	60	1000	50	125	2.0	0.024+/-40%	10.0
GDLW0502P - 101N	100	1400	50	125	1.5	0.040+/-40%	10.0
GDLW0502P - 600NS	60	1000	50	125	2.0	0.024+/-40%	10.0

■ Rated Current : For a 40°C temprature rise from 25°C ambient.

Product Series : GDLW	Brand : GOTREND
File Version : GDLW-SERIES-V1R8	Editor : Teddy Sun
Established Date : 2009.07.08	Description : Chip Common Mode Choke Coil
Latest Edit Date : 2020.10.30	Product Type : <input checked="" type="checkbox"/> Standard <input type="checkbox"/> Customize

GDLW0504P-SERIES

Dimension [mm] :



Size	W	L	H	A	B	C	D
0504	4.8 +/-0.3	5.0 +/-0.3	4.8 max.	3.5 typ.	2.2 typ.	1.1 typ	1.4 typ

Electrical Characteristics :

Part No.	Impedance (Ω) (Min.) @10MHz	Impedance (Ω) (Typ.) @100MHz	Rated Voltage V [DC]	Withstanding Voltage V [DC]	Rated Current [A]	DCR [Ω]	Insulation Resistance (MΩ) (Min.)
GDLW0504P - 200N	20	250	50	125	5.0	0.014+/-40%	10.0
GDLW0504P - 600NS	60	1000	50	125	4.5	0.016+/-40%	10.0

■ Rated Current : For a 40°C temprature rise from 25°C ambient.

Product Series : GDM	Brand : GOTREND
File Version : GDM-SERIES-V1R1	Editor : Teddy Sun
Established Date : 2018.09.06	Description : Dual Common Mode Inductor
Latest Edit Date : 2020.10.30	Product Type : <input checked="" type="checkbox"/> Standard <input type="checkbox"/> Customize

Features & Application :

- * High performance (Isat) realized by metal dust core
- * Low loss realized with low DCR
- * Capable of corresponding high frequency
- * 100% lead (Pb) free meet RoHS standard
- * DC/DC converter for CPU in Notebook PC



(Picture for reference only)

Part No. Example :

PN	:	GDM	100910	P	-	100	M
-----		-----	-----	---		-----	----
ID	:	1	2	3		4	5
1	:	GOTREND Series Code					
2	:	Dimension Code : 100910 = (L) 10.0 x (W) 9.0 x (H) 10.0 mm					
3	:	RoHS Compliance					
4	:	Inductance : 100 = 10uH					
5	:	Tolerance : M = 20%					


Basic Information :

Made in	China
Pin Foot	SMD
Shielding	Yes
J-STD-020	MSL Level 1
RoHS	Compliant
REACH	Compliant
Halogen	Free

Operating & Storage Condition :

- * Operating Temp -40 ~ +125 deg.C (Including self - temperature rise)
- * Storage Temp 1. -10 ~ +45 deg.C , 50 ~ 60% RH (Product with taping)
2. -40 ~ +125 deg.C (On board)
- * Storage Life Time 12 Month (Less than 40 deg.C and 60% RH)

Attention & Caution :

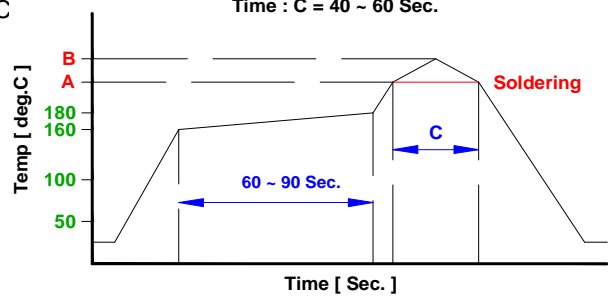
- * Keep out of Splashing water or salt water
- * Avoid Toxic Gas (Hydrogen sulfide, Sulfurous acid, Chlorine, Ammonia)
-  Vibrations or shocks which exceed the specified condition
- Dew condense
- Layout near the edge of PCB
- Over flexure after SMT mounting & PCBA
- * Pin foot or SMD pad solderability: Pb free type is best within 6 months after delivery
- * Humidity sensitive , IPC/JEDEC J-STD-020 MSL if over Level 1, recommend bake 30mins@150 degree before PCBA
- * Caution for human life relative applications : PLS contact & consult with GOTREND team in design stage.

Test Condition :

- * Equipment HP4284A , HP42841A - L , Q , DCR , IDC
HP8753D Network analyzer - SRF
- * Standard Atmosphere Conditions:
Ambient Temperature 20 ± 15 deg.C
Humidity RH 65 ± 20%
- * If there may be any doubt on the test result ,
Measurement shall be made within the following limits:
Ambient Temperature 25 ± 5 deg.C
Humidity RH 75 ± 10%

Recommend IR Reflow Curve : GTX-IR-FILE001

Lead Free Solder : A = 217 deg.C , B = 245+/-5 deg.C
Time : C = 40 ~ 60 Sec.

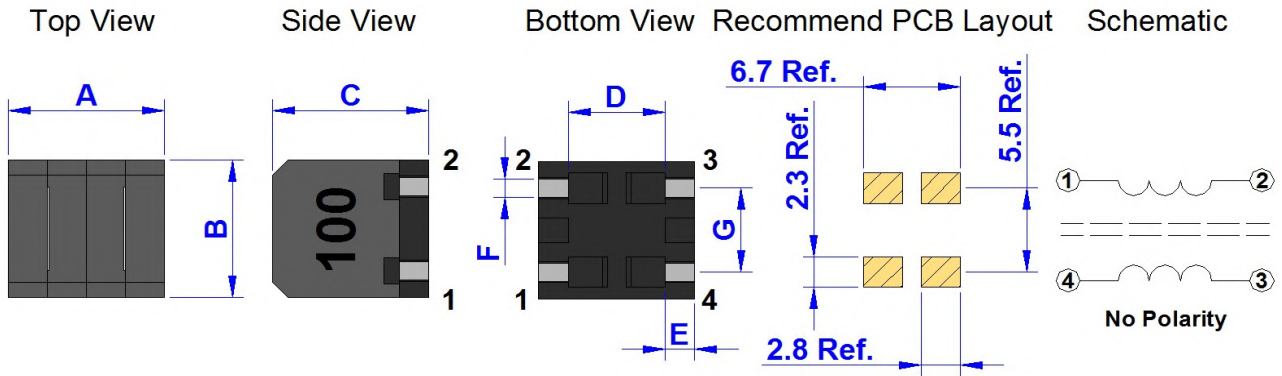


Notice : Iron Soldering , Solder < 30 Watt , Direct touch the terminal x 3 Sec. Max. @ 350 deg.C

Product Series : GDM	Brand : GOTREND
File Version : GDM-SERIES-V1R1	Editor : Teddy Sun
Established Date : 2018.09.06	Description : Dual Common Mode Inductor
Latest Edit Date : 2020.10.30	Product Type : <input checked="" type="checkbox"/> Standard <input type="checkbox"/> Customize

GDM100910P-SERIES

Dimension [mm] :



Size	A	B	C	D	E	F	G
100910	10.0+/-0.2	9.0+/-0.2	10.0 Max	6.2+/-0.2	1.9+/-0.2	1.2+/-0.2	5.5+/-0.2

Electrical Characteristics :

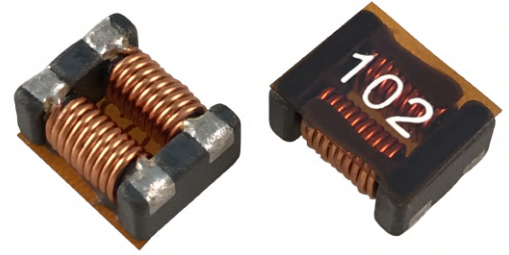
Part No.	Inductance (uH)	DCR (mΩ) Max.	Isat (A) Typ.	Irms (A) Typ.
GDM100910P-100M	10.00	22.0	5.00	3.90
GDM100910P-150M	15.00	22.0	4.10	2.80
GDM100910P-220M	22.00	22.0	3.20	2.50

- Inductance test Freq. : 1.0KHz / 0.1V
- Isat: Saturated Current measured at the point of L drop approximately 25%
- I rms: Rated Current Loading when temperature rise approximately 40deg.C

Product Series : GSCM	Brand : GOTREND
File Version : GSCM-SERIES-V1R9	Editor : Teddy Sun
Established Date : 2018.11.07	Description : SMD Common Mode Choke
Latest Edit Date : 2020.10.30	Product Type : <input checked="" type="checkbox"/> Standard <input type="checkbox"/> Customize

Features & Application :

1. Exclusive square type closed magnetic core designed as an exclusive core is used, so it can be small while maintaining the same features.
2. Low profile design makes it optimal for surface mounting.
3. Excellent impedance characteristics, making it great for suppressing common mode noise.
4. Common mode noise countermeasure for electronic controller DC power lines and power supply lines for car multi-media equipment and various electronic devices.



(Picture for reference only)

Part No. Example :

PN	:	GSCM 706035	P	-	701	-	2P	1
-----		-----	---		-----		----	---
ID	:	1	2	3	4		5	6
1	:	GOTREND Series Code						
2	:	Dimension Code : 706035 = (L) 7.0 x (W) 6.0 x (H) 3.5 mm						
3	:	RoHS Compliance						
4	:	[Z] Value : Impedance 701 = 700 Ohm @100MHz						
5	:	2P : Terminal Lines						
6	:	[1] : Plating terminal						

Basic Information :

Made in	China
Pin Foot	SMD
Shielding	Yes
J-STD-020	MSL Level 1
RoHS	Compliant
REACH	Compliant
Halogen	Free

Operating & Storage Condition :

- * Operating Temp -40 ~ +125 deg.C (Including self - temperature rise)
- * Storage Temp 1. -10 ~ +45 deg.C , 50 ~ 60% RH (Product with taping)
2. -40 ~ +125 deg.C (On board)
- * Storage Life Time 6 Month (Less than 40 deg.C and 60% RH)

Attention & Caution :

- * Keep out of Splashing water or salt water
- * Avoid Toxic Gas (Hydrogen sulfide, Sulfurous acid, Chlorine, Ammonia)
- Vibrations or shocks which exceed the specified condition
- Dew condense
- Layout near the edge of PCB
- Over flexure after SMT mounting & PCBA



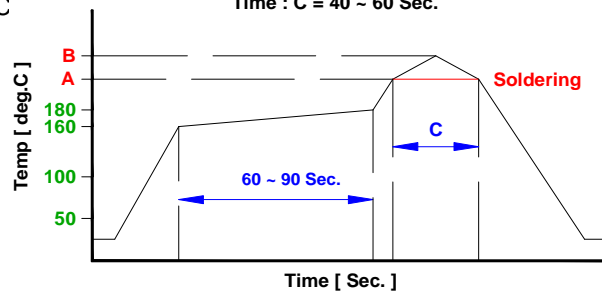
- * Pin foot or SMD pad solderability: Pb free type is best within 6 months after delivery
- * Humidity sensitive , IPC/JEDEC J-STD-020 MSL if over Level 1, recommend bake 30mins@150 degree before PCBA
- * Caution for human life relative applications : PLS contact & consult with GOTREND team in design stage.

Test Condition :

- * Equipment HP4284A , HP42841A - L , Q , DCR , IDC
HP8753D Network analyzer - SRF
- * Standard Atmosphere Conditions:
Ambient Temperature 20 ± 15 deg.C
Humidity RH 65 ± 20%
- * If there may be any doubt on the test result ,
Measurement shall be made within the following limits:
Ambient Temperature 25 ± 5 deg.C
Humidity RH 75 ± 10%

Recommend IR Reflow Curve : GTX-IR-FILE001

Lead Free Solder : A = 217 deg.C , B = 245+/-5 deg.C
Time : C = 40 ~ 60 Sec.

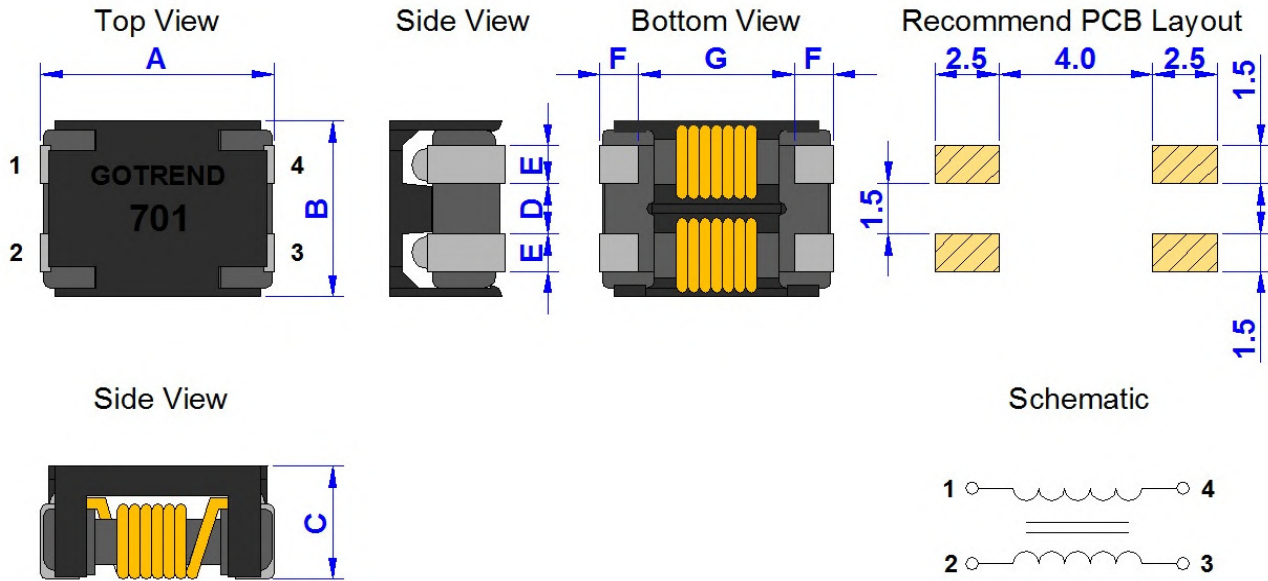


Notice : Iron Soldering , Solder < 30 Watt ,
Direct touch the terminal x 3 Sec. Max. @ 350 deg.C

Product Series : GSCM	Brand : GOTREND
File Version : GSCM-SERIES-V1R9	Editor : Teddy Sun
Established Date : 2018.11.07	Description : SMD Common Mode Choke
Latest Edit Date : 2020.10.30	Product Type : <input checked="" type="checkbox"/> Standard <input type="checkbox"/> Customize

GSCM706038P-SERIES

Dimension [mm] :



Size	A(+/-0.5)	B(+/-0.5)	C(Max.)	D(+/-0.2)	E(+/-0.2)	F(+/-0.2)	G(Ref.)
706038	7.00	6.00	3.80	1.50	1.50	1.50	4.00

Electrical Characteristics :

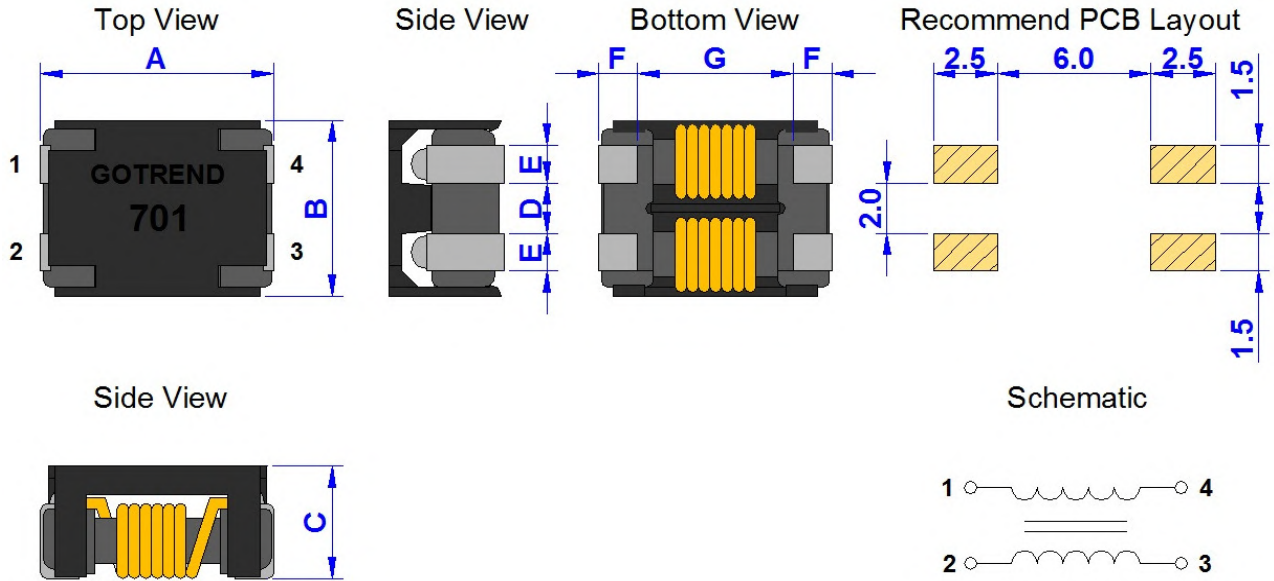
GOTREND PN	Common Mode Impedance @100MHz (Ω) Min. / Typ.	DC Resistance N1 , N2 (mΩ) Max.	Rated Current (A) Max.	Insulation Resistance (M Ohm) Min.	Rated Voltage (V) Max.	Marking
706038P-101-2P	100 / 140	6.0	9.0	10.0	80.0	101
706038P-301-2P	225 / 300	8.0	5.5	10.0	80.0	301
706038P-501-2P	275 / 500	10.0	5.0	10.0	80.0	501
706038P-701-2P	500 / 700	15.0	4.0	10.0	80.0	701
706038P-901-2P	700 / 900	20.0	3.0	10.0	80.0	901

■ Rated Current : The actual value of DC current when the top surface of test sample temperature rise is $\Delta T = 40^{\circ}\text{C}$ ($T_a = 25^{\circ}\text{C}$).

Product Series : GSCM	Brand : GOTREND
File Version : GSCM-SERIES-V1R9	Editor : Teddy Sun
Established Date : 2018.11.07	Description : SMD Common Mode Choke
Latest Edit Date : 2020.10.30	Product Type : <input checked="" type="checkbox"/> Standard <input type="checkbox"/> Customize

GSCM907048P-SERIES

Dimension [mm] :



Size	A(+/-0.5)	B(+/-0.5)	C(Max.)	D(+/-0.2)	E(+/-0.2)	F(+/-0.2)	G(Ref.)
907048	9.00	7.00	4.80	2.00	1.50	1.50	6.00

Electrical Characteristics :

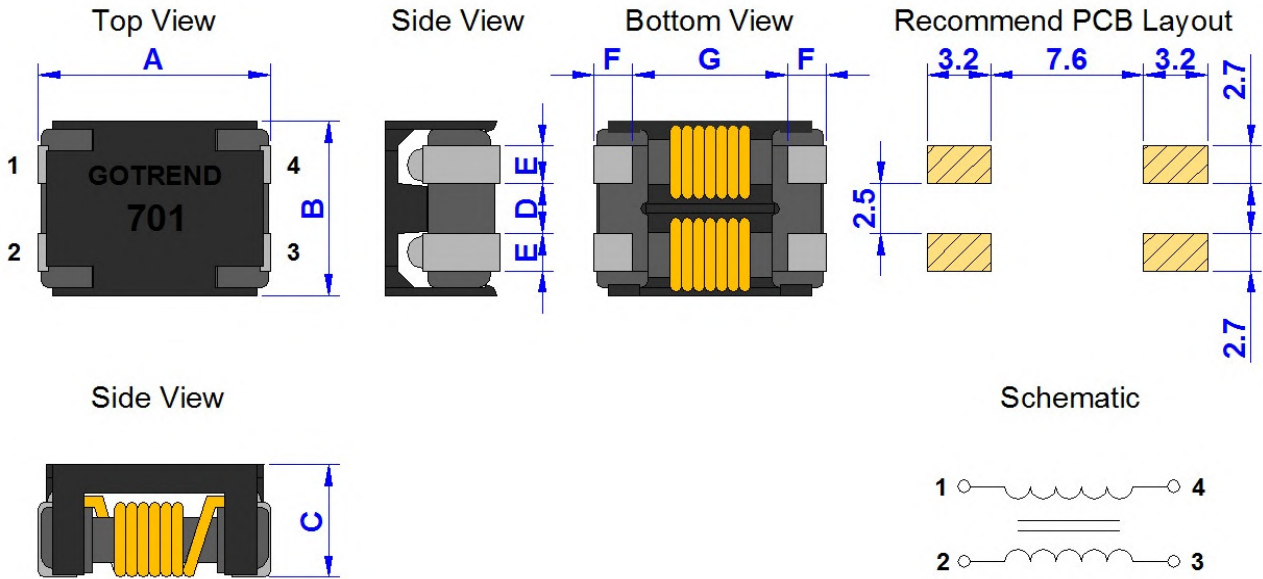
GOTREND PN	Common Mode Impedance @100MHz (Ω) Min. / Typ.	DC Resistance N1 , N2 (mΩ) Max.	Rated Current (A) Max.	Insulation Resistance (M Ohm) Min.	Rated Voltage (V) Max.	Marking
907048P-501-2P	350 / 500	8.0	6.0	10.0	80.0	501
907048P-701-2P	500 / 700	10.0	5.0	10.0	80.0	701
907048P-102-2P	750 / 1000	15.0	4.0	10.0	80.0	102
907048P-222-2P	1650 / 2200	100.0	2.0	10.0	80.0	222

■ Rated Current : The actual value of DC current when the top surface of test sample temperature rise is $\Delta T = 40^{\circ}\text{C}$ ($T_a = 25^{\circ}\text{C}$).

Product Series : GSCM	Brand : GOTREND
File Version : GSCM-SERIES-V1R9	Editor : Teddy Sun
Established Date : 2018.11.07	Description : SMD Common Mode Choke
Latest Edit Date : 2020.10.30	Product Type : <input checked="" type="checkbox"/> Standard <input type="checkbox"/> Customize

GSCM121160P-SERIES

Dimension [mm] :



Size	A(+/-0.5)	B(+/-0.5)	C(Max.)	D(+/-0.2)	E(+/-0.2)	F(+/-0.2)	G(Ref.)
121160	12.50	10.50	6.00	2.50	2.70	2.30	7.40

Electrical Characteristics :

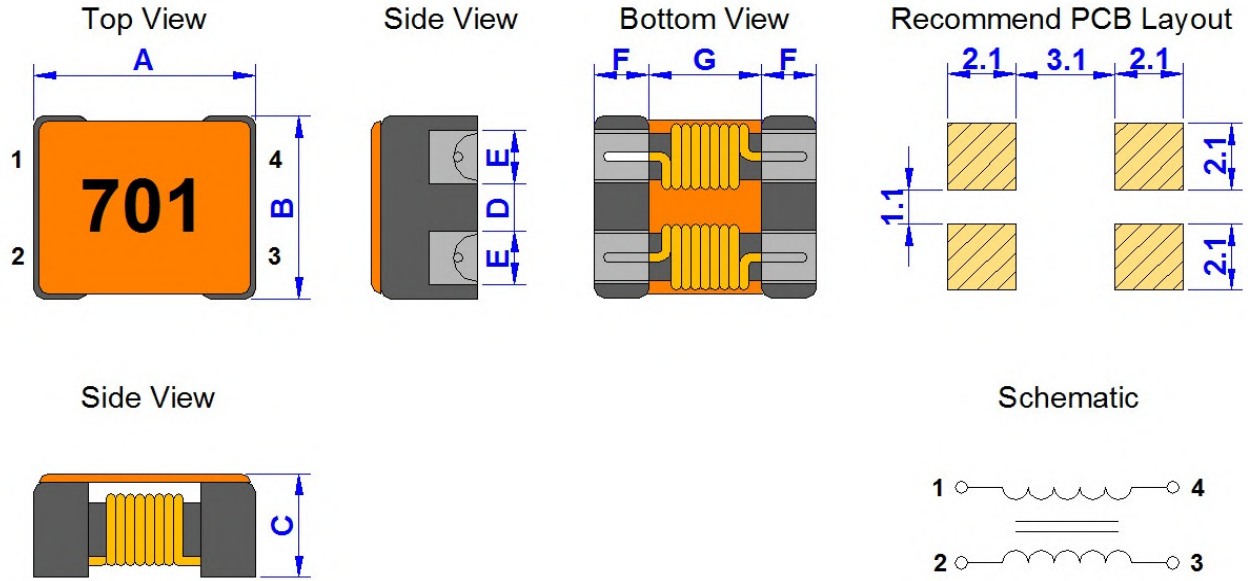
GOTREND PN	Common Mode Impedance @100MHz (Ω) Min. / Typ.	DC Resistance N1 , N2 (mΩ) Max.	Rated Current (A) Max.	Insulation Resistance (M Ohm) Min.	Rated Voltage (V) Max.	Marking
121160P-101-2P	100 / 140	3.5	10.0	10.0	80.0	101
121160P-301-2P	225 / 300	5.0	9.0	10.0	80.0	301
121160P-501-2P	350 / 500	5.5	8.5	10.0	80.0	501
121160P-701-2P	500 / 700	6.0	8.0	10.0	80.0	701
121160P-901-2P	700 / 900	10.0	6.0	10.0	80.0	901
121160P-102-2P	800 / 1000	12.0	5.0	10.0	80.0	102

■ Rated Current : The actual value of DC current when the top surface of test sample temperature rise is $\Delta T = 40^{\circ}\text{C}$ ($T_a = 25^{\circ}\text{C}$).

Product Series : GSCM	Brand : GOTREND
File Version : GSCM-SERIES-V1R9	Editor : Teddy Sun
Established Date : 2018.11.07	Description : SMD Common Mode Choke
Latest Edit Date : 2020.10.30	Product Type : <input checked="" type="checkbox"/> Standard <input type="checkbox"/> Customize

GSCM706035P-SERIES

Dimension [mm] :



Size	A(+/-0.5)	B(+/-0.5)	C(Max.)	D(+/-0.2)	E(+/-0.2)	F(+/-0.2)	G(Ref.)
706035	7.00	6.00	3.50	1.50	1.70	1.70	3.50

Electrical Characteristics :

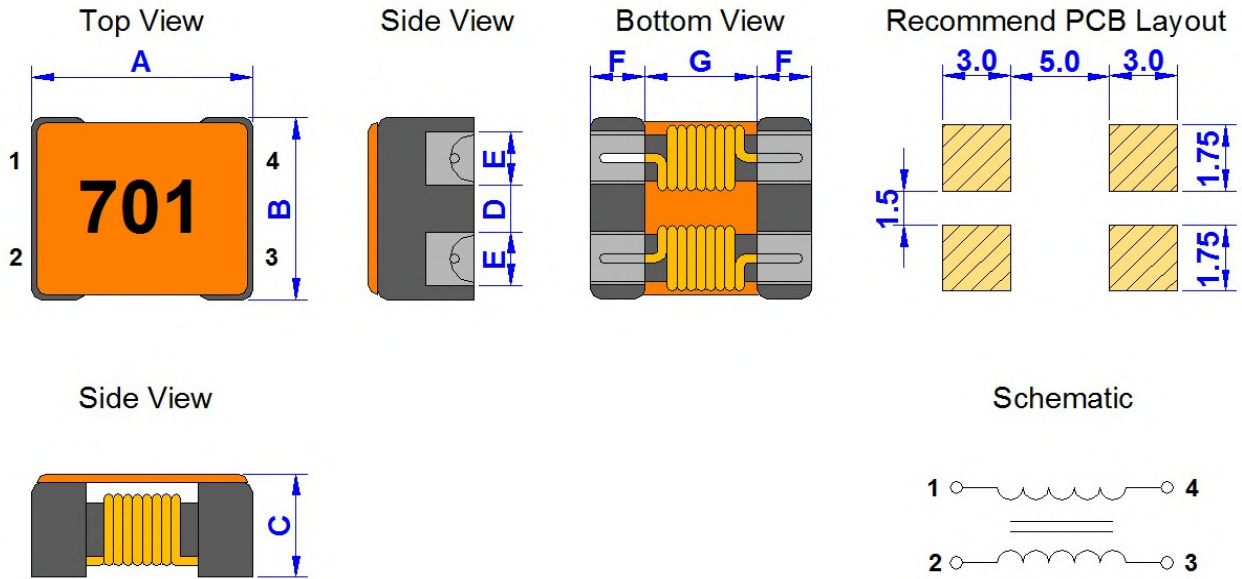
GOTREND PN	Impedance(Ω) at 100MHz		DC Resistance N1 , N2 (m Ω) Max.	Rated Current (A) Max.	Insulation Resistance (M Ohm) Min.	Rated Voltage (V) Max.	Marking
	Min.	Typ					
706035P-101-2P1	100.0	140.0	10.0	9.0	10.0	80.0	101
706035P-301-2P1	225.0	300.0	10.0	5.0	10.0	80.0	301
706035P-501-2P1	275.0	500.0	10.0	5.0	10.0	80.0	501
706035P-601-2P1	450.0	600.0	15.0	4.0	10.0	80.0	601
706035P-701-2P1	500.0	700.0	15.0	4.0	10.0	80.0	701
706035P-901-2P1	700.0	900.0	20.0	3.0	10.0	80.0	901
706035P-102-2P1	800.0	1000.0	20.0	3.0	10.0	80.0	102
706035P-132-2P1	910.0	1300.0	25.0	2.5	10.0	80.0	132
706035P-302-2P1	2500.0	3000.0	75.0	1.0	10.0	80.0	302

■ Rated Current : The actual value of DC current when the top surface of test sample temperature rise is $\Delta T = 40^{\circ}\text{C}$ ($T_a = 25^{\circ}\text{C}$).

Product Series : GSCM	Brand : GOTREND
File Version : GSCM-SERIES-V1R9	Editor : Teddy Sun
Established Date : 2018.11.07	Description : SMD Common Mode Choke
Latest Edit Date : 2020.10.30	Product Type : <input checked="" type="checkbox"/> Standard <input type="checkbox"/> Customize

GSCM907045P-SERIES

Dimension [mm] :



Size	A(+/-0.5)	B(+/-0.5)	C(Max.)	D(+/-0.2)	E(+/-0.2)	F(+/-0.2)	G(Ref.)
907045	9.00	7.00	4.50	2.00	1.50	1.70	5.70

Electrical Characteristics :

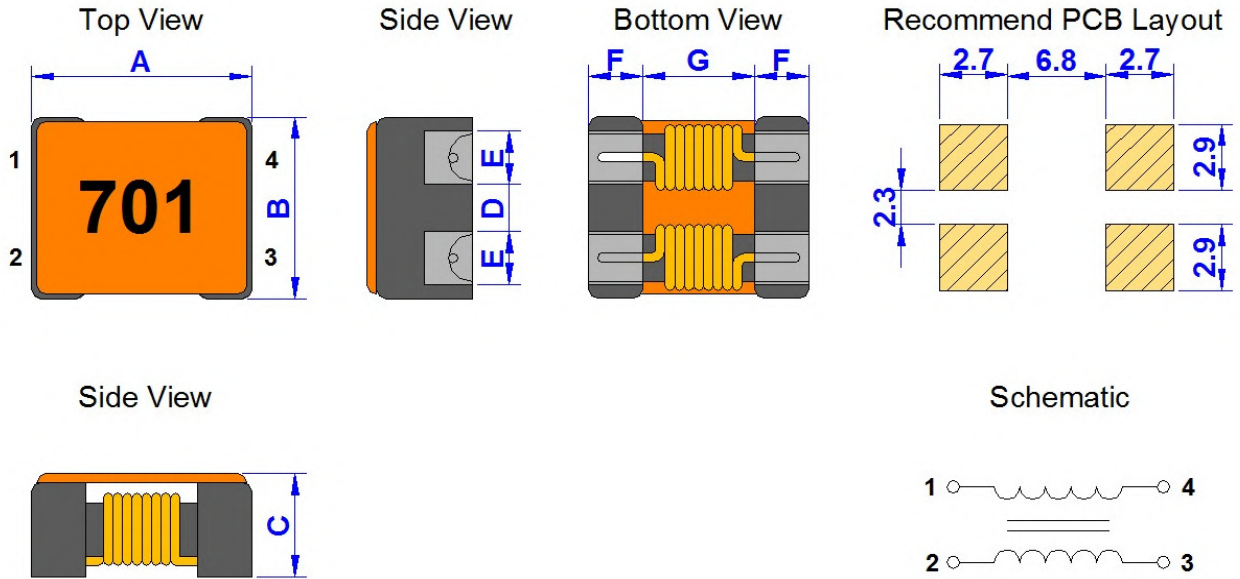
GOTREND PN	Impedance(Ω) at 100MHz		DC Resistance N1 , N2 (m Ω) Max.	Rated Current (A) Max.	Insulation Resistance (M Ohm) Min.	Rated Voltage (V) Max.	Marking
	Min.	Typ					
907045P-301-2P1	225.0	300.0	6.0	6.0	10.0	80.0	301
907045P-501-2P1	450.0	600.0	8.0	5.5	10.0	80.0	501
907045P-701-2P1	500.0	700.0	10.0	5.0	10.0	80.0	701
907045P-102-2P1	750.0	1000.0	13.0	4.0	10.0	80.0	102
907045P-202-2P1	1700.0	2000.0	60.0	2.5	10.0	80.0	202
907045P-272-2P1	2000.0	2700.0	65.0	2.0	10.0	80.0	272
907045P-302-2P1	2500.0	3000.0	70.0	3.0	10.0	80.0	302

■ Rated Current : The actual value of DC current when the top surface of test sample temperature rise is $\Delta T = 40^{\circ}\text{C}$ ($T_a = 25^{\circ}\text{C}$).

Product Series : GSCM	Brand : GOTREND
File Version : GSCM-SERIES-V1R9	Editor : Teddy Sun
Established Date : 2018.11.07	Description : SMD Common Mode Choke
Latest Edit Date : 2020.10.30	Product Type : <input checked="" type="checkbox"/> Standard <input type="checkbox"/> Customize

GSCM121164P-SERIES

Dimension [mm] :



Size	A(+/-0.5)	B(+/-0.5)	C(Max.)	D(+/-0.2)	E(+/-0.2)	F(+/-0.2)	G(Ref.)
121164	12.00	10.80	6.40	2.50	2.70	2.50	7.00

Electrical Characteristics :

GOTREND PN	Impedance(Ω) at 100MHz		DC Resistance N1 , N2 (m Ω) Max.	Rated Current (A) Max.	Insulation Resistance (M Ohm) Min.	Rated Voltage (V) Max.	Marking
	Min.	Typ					
121164P-701-2P1	500.0	700.0	6.0	8.0	10.0	80.0	701

■ Rated Current : The actual value of DC current when the top surface of test sample temperature rise is $\Delta T = 40^{\circ}\text{C}$ ($T_a = 25^{\circ}\text{C}$).

Product Series : GTCM	Brand : GOTREND
File Version : GTCM-SERIES-V1R0	Editor : Teddy Sun
Established Date : 2021.01.20	Description : Toroidal Common Mode
Latest Edit Date : 2021.01.20	Product Type : <input checked="" type="checkbox"/> Standard <input type="checkbox"/> Customize

Features & Application :

- * Good in EMI effect and various custom design
- * Fit for power line input / output application
- * To help you go pass the CE/FCC standard.
- * MainBoard / NB / IPC / Server / VRM moudle...etc.



(Picture for reference only)

Part No. Example :

PN	:	GTCM	090503	<input type="checkbox"/>	-	401	<input type="checkbox"/>	<input type="checkbox"/>
-----		-----	-----	----	---	-----	----	----
ID	:	1	2	3		4	5	6
1	:	GOTREND series code						
2	:	Core size code						
3	:	Core material code						
4	:	Inductance value : 401 = 400uH = 0.4mH , 102 = 1.0mH ... etc.						
5	:	Structure code : H = Horizontal ; V = Vertical						
6	:	Other material code : B = Base , C = Case						

Basic Information :

- Made in** China
- Pin Foot** DIP
- Shielding** Yes
- J-STD-020** MSL Level 1
- RoHS** Compliant
- REACH** Compliant
- Halogen** Free

Operating & Storage Condition :

- * Operating Temp -40 ~ +85 deg.C (Including self - temperature rise)
- * Storage Temp 1. -10 ~ +45 deg.C , 50 ~ 60% RH (Product with taping)
2. -40 ~ +85 deg.C (On board)
- * Storage Life Time 6 Month (Less than 40 deg.C and 60% RH)

Attention & Caution :

- * Keep out of Splashing water or salt water
- * Avoid Toxic Gas (Hydrogen sulfide, Sulfurous acid, Chlorine, Ammonia)
- Vibrations or shocks which exceed the specified condition
- Dew condense
- Layout near the edge of PCB
- Over flexure after SMT mounting & PCBA



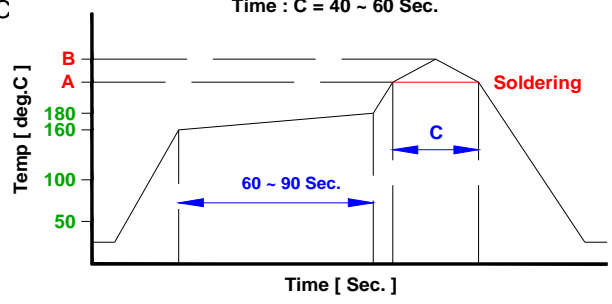
- * Pin foot or SMD pad solderability: Pb free type is best within 6 months after delivery
- * Humidity sensitive , IPC/JEDEC J-STD-020 MSL if over Level 1, recommend bake 30mins@150 degree before PCBA
- * Caution for human life relative applications : PLS contact & consult with GOTREND team in design stage.

Test Condition :

- * Equipment HP4284A , HP42841A - L , Q , DCR , IDC
HP8753D Network analyzer - SRF
- * Standard Atmosphere Conditions:
Ambient Temperature 20 ± 15 deg.C
Humidity RH 65 ± 20%
- * If there may be any doubt on the test result ,
Measurement shall be made within the following limits:
Ambient Temperature 25 ± 5 deg.C
Humidity RH 75 ± 10%

Recommend IR Reflow Curve : GTX-IR-FILE001

Lead Free Solder : A = 217 deg.C , B = 245+/-5 deg.C
Time : C = 40 ~ 60 Sec.

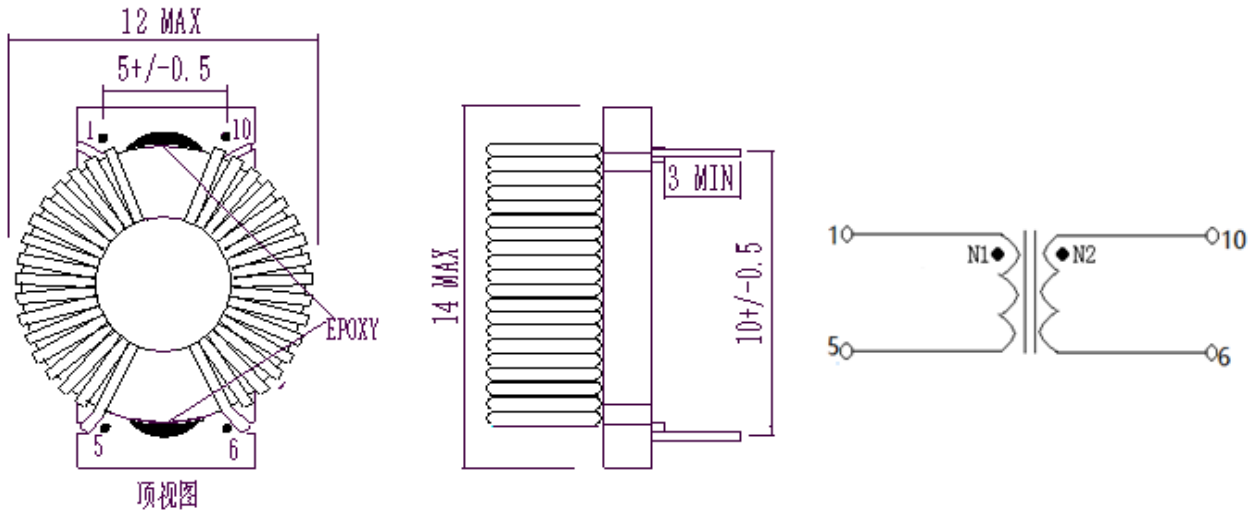


**Notice : Iron Soldering , Solder < 30 Watt ,
Direct touch the terminal x 3 Sec. Max. @ 350 deg.C**

Product Series : GTCM	Brand : GOTREND
File Version : GTCM-SERIES-V1R0	Editor : Teddy Sun
Established Date : 2021.01.20	Description : Toroidal Common Mode
Latest Edit Date : 2021.01.20	Product Type : <input checked="" type="checkbox"/> Standard <input type="checkbox"/> Customize

GTCM090503-HB Type

Dimension [mm] :



Electrical Characteristics :

Part No.	Inductance L1 = L2 Min.	DCR Max.	Rated Current (A)
GTCM090503G-401HB	0.40 mH	100 m Ohm	0.55
GTCM090503G-281HB	0.28 mH	60 m Ohm	1.00
GTCM090503G-201HB	0.20 mH	50 m Ohm	1.50
GTCM090503G-101HB	0.10 mH	15 m Ohm	2.00
GTCM090503G-500HB	0.05 mH	15 m Ohm	2.20
GTCM090503L-601HB	0.60 mH	100 m Ohm	0.55
GTCM090503L-401HB	0.40 mH	60 m Ohm	1.00
GTCM090503L-251HB	0.25 mH	50 m Ohm	1.50
GTCM090503L-151HB	0.15 mH	15 m Ohm	2.00
GTCM090503L-101HB	0.10 mH	15 m Ohm	2.20

* Inductance Test Condition : G Type 1KHz / 0.25V , L Type 10KHz / 0.1V

* Rated Current : Base on temp. rise up 40deg.C Typ.

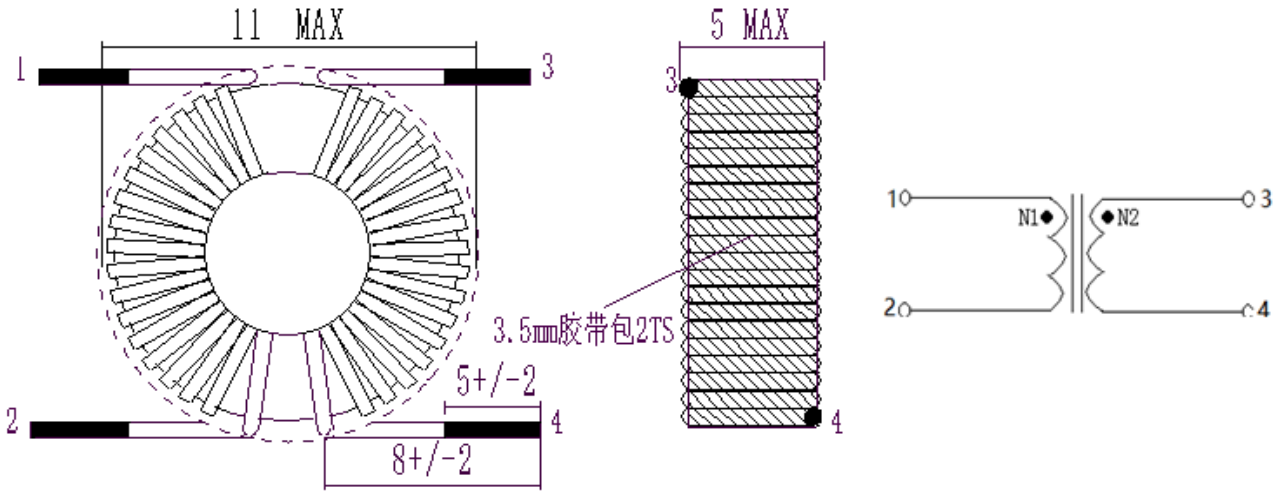
* Insulation : AC1500V , 3 second between line & line.

* Insulation Resistance : 100MΩ min. When DC 500V between line & line.

Product Series : GTCM	Brand : GOTREND
File Version : GTCM-SERIES-V1R0	Editor : Teddy Sun
Established Date : 2021.01.20	Description : Toroidal Common Mode
Latest Edit Date : 2021.01.20	Product Type : <input checked="" type="checkbox"/> Standard <input type="checkbox"/> Customize

GTCM090503-H Type

Dimension [mm] :



Electrical Characteristics :

Part No.	Inductance L1 = L2 Min.	DCR Max.	Rated Current (A)
GTCM090503G-401H	0.40 mH	100 m Ohm	0.55
GTCM090503G-281H	0.28 mH	60 m Ohm	1.00
GTCM090503G-201H	0.20 mH	50 m Ohm	1.50
GTCM090503G-101H	0.10 mH	15 m Ohm	2.00
GTCM090503G-500H	0.05 mH	15 m Ohm	2.20
GTCM090503L-601H	0.60 mH	100 m Ohm	0.55
GTCM090503L-401H	0.40 mH	60 m Ohm	1.00
GTCM090503L-251H	0.25 mH	50 m Ohm	1.50
GTCM090503L-151H	0.15 mH	15 m Ohm	2.00
GTCM090503L-101H	0.10 mH	15 m Ohm	2.20

* Inductance Test Condition : G Type 1KHz / 0.25V , L Type 10KHz / 0.1V

* Rated Current : Base on temp. rise up 40deg.C Typ.

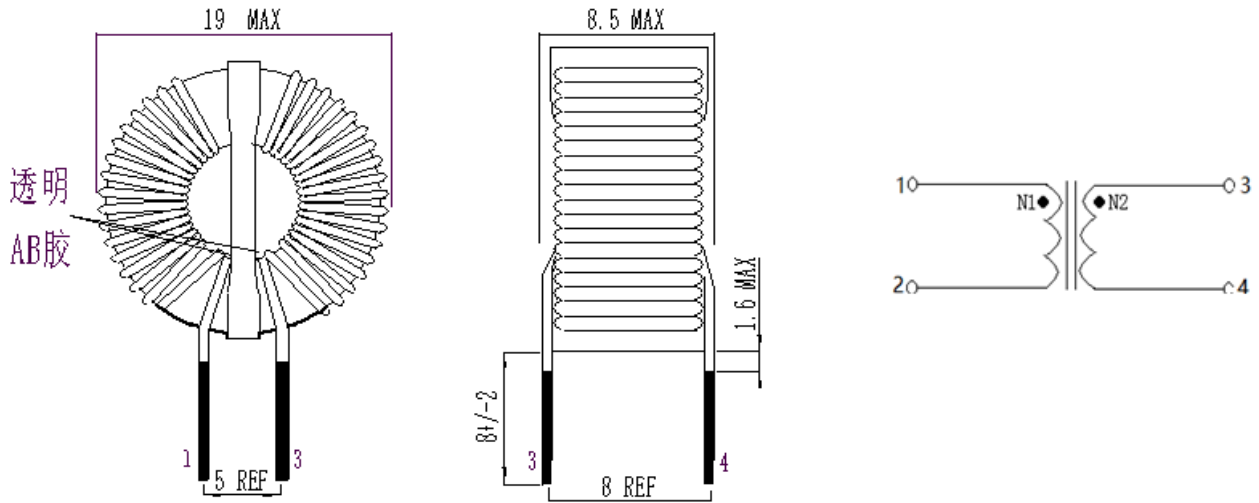
* Insulation : AC1500V , 3 second between line & line.

* Insulation Resistance : 100MΩ min. When DC 500V between line & line.

Product Series : GTCM	Brand : GOTREND
File Version : GTCM-SERIES-V1R0	Editor : Teddy Sun
Established Date : 2021.01.20	Description : Toroidal Common Mode
Latest Edit Date : 2021.01.20	Product Type : <input checked="" type="checkbox"/> Standard <input type="checkbox"/> Customize

GTCM140905-VC Type

Dimension [mm] :



Electrical Characteristics :

Part No.	Inductance L1 = L2 Min.	DCR Max.	Rated Current (A)
GTCM140905G-772VC	7.75 mH	350 m Ohm	0.60
GTCM140905G-182VC	1.80 mH	60 m Ohm	2.00
GTCM140905G-601VC	0.60 mH	50 m Ohm	3.00
GTCM140905G-501VC	0.50 mH	20 m Ohm	3.50
GTCM140905G-401VC	0.40 mH	15 m Ohm	4.00
GTCM140905L-103VC	10.0 mH	350 m Ohm	0.60
GTCM140905L-222VC	2.20 mH	60 m Ohm	2.00
GTCM140905L-851VC	0.85 mH	50 m Ohm	3.00
GTCM140905L-651VC	0.65 mH	20 m Ohm	3.50
GTCM140905L-501VC	0.50 mH	15 m Ohm	4.00

* Inductance Test Condition : G Type 1KHz / 0.25V , L Type 10KHz / 0.1V

* Rated Current : Base on temp. rise up 40deg.C Typ.

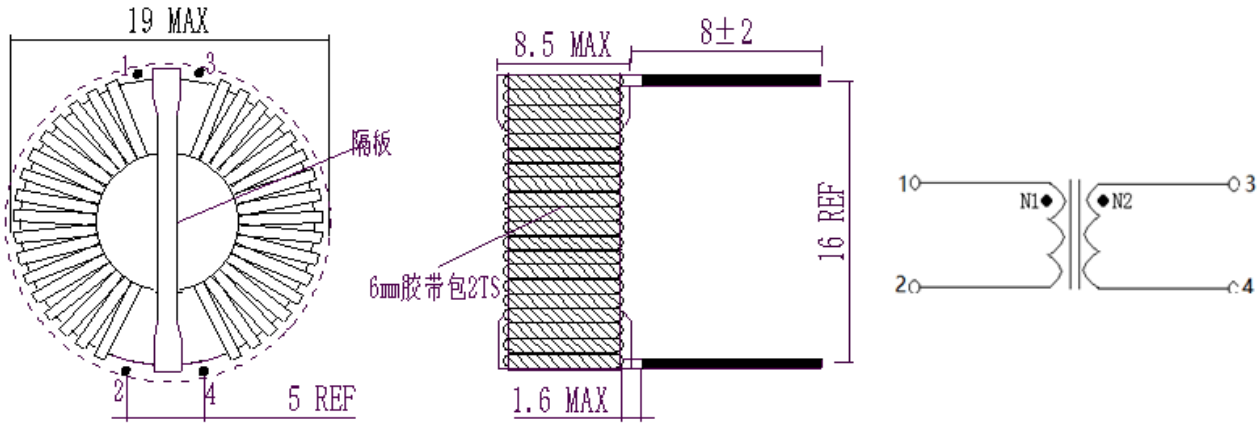
* Insulation : AC1500V , 3 second between line & line.

* Insulation Resistance : 100MΩ min. When DC 500V between line & line.

Product Series : GTCM	Brand : GOTREND
File Version : GTCM-SERIES-V1R0	Editor : Teddy Sun
Established Date : 2021.01.20	Description : Toroidal Common Mode
Latest Edit Date : 2021.01.20	Product Type : <input checked="" type="checkbox"/> Standard <input type="checkbox"/> Customize

GTCM140905-HC Type

Dimension [mm] :



Electrical Characteristics :

Part No.	Inductance L1 = L2 Min.	DCR Max.	Rated Current (A)
GTCM140905G-772HC	7.75 mH	350 m Ohm	0.60
GTCM140905G-182HC	1.80 mH	60 m Ohm	2.00
GTCM140905G-601HC	0.60 mH	50 m Ohm	3.00
GTCM140905G-501HC	0.50 mH	20 m Ohm	3.40
GTCM140905G-401HC	0.40 mH	15 m Ohm	4.00
GTCM140905L-103HC	10.0 mH	350 m Ohm	0.60
GTCM140905L-222HC	2.20 mH	60 m Ohm	2.00
GTCM140905L-851HC	0.85 mH	50 m Ohm	3.00
GTCM140905L-651HC	0.65 mH	20 m Ohm	3.50
GTCM140905L-501HC	0.50 mH	15 m Ohm	4.00

* Inductance Test Condition : G Type 1KHz / 0.25V , L Type 10KHz / 0.1V

* Rated Current : Base on temp. rise up 40deg.C Typ.

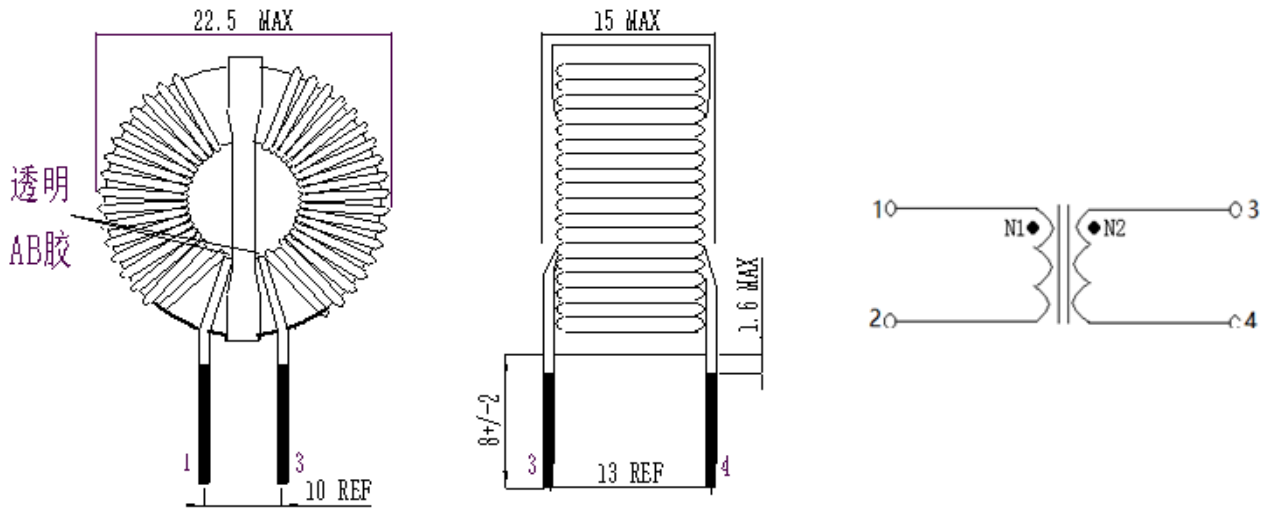
* Insulation : AC1500V , 3 second between line & line.

* Insulation Resistance : 100MΩ min. When DC 500V between line & line.

Product Series : GTCM	Brand : GOTREND
File Version : GTCM-SERIES-V1R0	Editor : Teddy Sun
Established Date : 2021.01.20	Description : Toroidal Common Mode
Latest Edit Date : 2021.01.20	Product Type : <input checked="" type="checkbox"/> Standard <input type="checkbox"/> Customize

GTCM161208-VC Type

Dimension [mm] :



Electrical Characteristics :

Part No.	Inductance L1 = L2 Min.	DCR Max.	Rated Current (A)
GTCM161208G-202VC	2.00 mH	150 m Ohm	1.50
GTCM161208G-152VC	1.50 mH	90 m Ohm	2.20
GTCM161208G-801VC	0.80 mH	50 m Ohm	3.00
GTCM161208G-351VC	0.35 mH	30 m Ohm	3.50
GTCM161208G-251VC	0.25 mH	25 m Ohm	4.00
GTCM161208L-282VC	2.80 mH	150 m Ohm	1.50
GTCM161208L-212VC	2.10 mH	90 m Ohm	2.20
GTCM161208L-112VC	1.15 mH	50 m Ohm	3.00
GTCM161208L-501VC	0.50 mH	30 m Ohm	3.50
GTCM161208L-401VC	0.40 mH	25 m Ohm	4.00

* Inductance Test Condition : G Type 1KHz / 0.25V , L Type 10KHz / 0.1V

* Rated Current : Base on temp. rise up 40deg.C Typ.

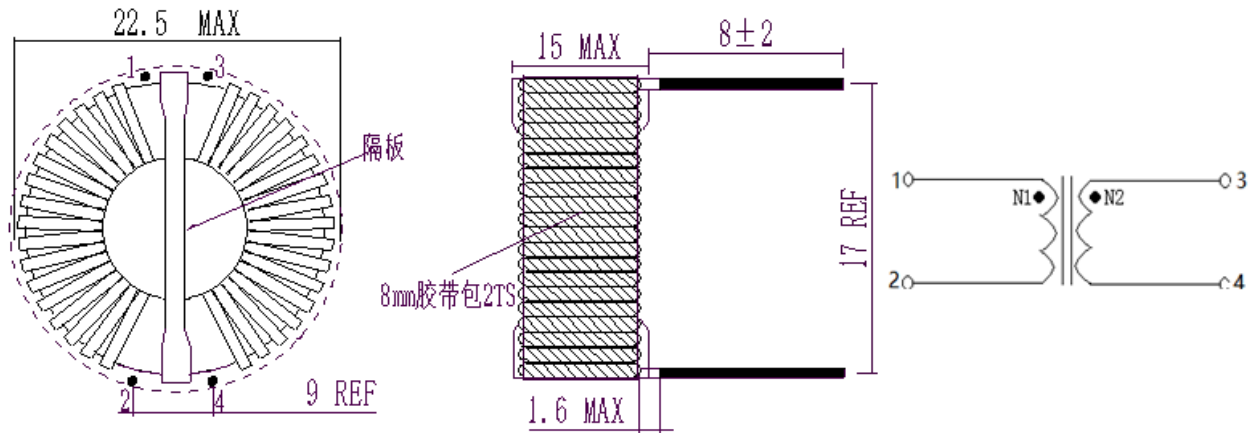
* Insulation : AC1500V , 3 second between line & line.

* Insulation Resistance : 100MΩ min. When DC 500V between line & line.

Product Series : GTCM	Brand : GOTREND
File Version : GTCM-SERIES-V1R0	Editor : Teddy Sun
Established Date : 2021.01.20	Description : Toroidal Common Mode
Latest Edit Date : 2021.01.20	Product Type : <input checked="" type="checkbox"/> Standard <input type="checkbox"/> Customize

GTCM161208-HC Type

Dimension [mm] :



Electrical Characteristics :

Part No.	Inductance L1 = L2 Min.	DCR Max.	Rated Current (A)
GTCM161208G-202HC	2.00 mH	150 m Ohm	1.50
GTCM161208G-152HC	1.50 mH	90 m Ohm	2.20
GTCM161208G-801HC	0.80 mH	50 m Ohm	3.00
GTCM161208G-351HC	0.35 mH	30 m Ohm	3.50
GTCM161208G-251HC	0.25 mH	25 m Ohm	4.00
GTCM161208L-282HC	2.80 mH	150 m Ohm	1.50
GTCM161208L-212HC	2.10 mH	90 m Ohm	2.20
GTCM161208L-112HC	1.15 mH	50 m Ohm	3.00
GTCM161208L-501HC	0.50 mH	30 m Ohm	3.50
GTCM161208L-401HC	0.40 mH	25 m Ohm	4.00

* Inductance Test Condition : G Type 1KHz / 0.25V , L Type 10KHz / 0.1V

* Rated Current : Base on temp. rise up 40deg.C Typ.

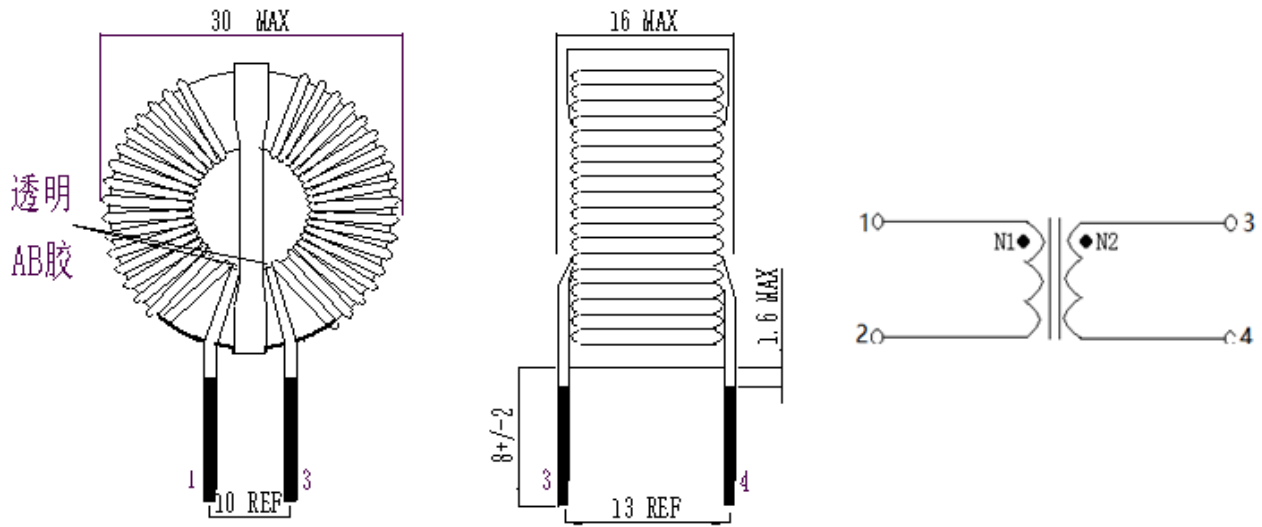
* Insulation : AC1500V , 3 second between line & line.

* Insulation Resistance : 100MΩ min. When DC 500V between line & line.

Product Series : GTCM	Brand : GOTREND
File Version : GTCM-SERIES-V1R0	Editor : Teddy Sun
Established Date : 2021.01.20	Description : Toroidal Common Mode
Latest Edit Date : 2021.01.20	Product Type : <input checked="" type="checkbox"/> Standard <input type="checkbox"/> Customize

GTCM221408-VC Type

Dimension [mm] :



Electrical Characteristics :

Part No.	Inductance L1 = L2 Min.	DCR Max.	Rated Current (A)
GTCM221408G-422VC	4.20 mH	120 m Ohm	2.20
GTCM221408G-282VC	2.85 mH	80 m Ohm	3.00
GTCM221408G-212VC	2.10 mH	50 m Ohm	4.00
GTCM221408G-172VC	1.75 mH	35 m Ohm	5.00
GTCM221408G-132VC	1.30 mH	25 m Ohm	6.00
GTCM221408L-602VC	6.00 mH	120 m Ohm	2.20
GTCM221408L-412VC	4.10 mH	80 m Ohm	3.00
GTCM221408L-302VC	3.00 mH	50 m Ohm	4.00
GTCM221408L-252VC	2.50 mH	35 m Ohm	5.00
GTCM221408L-192VC	1.90 mH	25 m Ohm	6.00

* Inductance Test Condition : G Type 1KHz / 0.25V , L Type 10KHz / 0.1V

* Rated Current : Base on temp. rise up 40deg.C Typ.

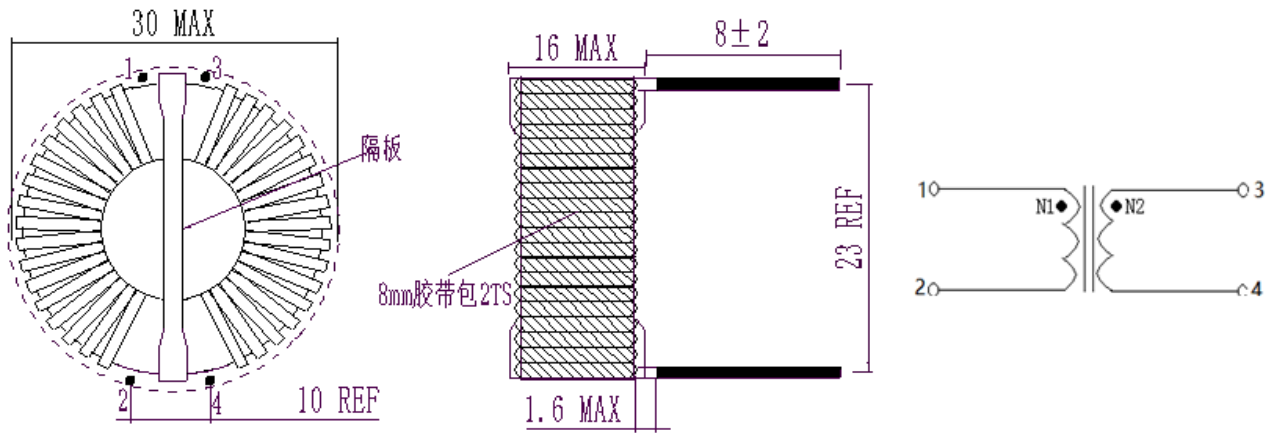
* Insulation : AC1500V , 3 second between line & line.

* Insulation Resistance : 100MΩ min. When DC 500V between line & line.

Product Series : GTCM	Brand : GOTREND
File Version : GTCM-SERIES-V1R0	Editor : Teddy Sun
Established Date : 2021.01.20	Description : Toroidal Common Mode
Latest Edit Date : 2021.01.20	Product Type : <input checked="" type="checkbox"/> Standard <input type="checkbox"/> Customize

GTCM221408-HC Type

Dimension [mm] :



Electrical Characteristics :

Part No.	Inductance L1 = L2 Min.	DCR Max.	Rated Current (A)
GTCM221408G-422HC	4.20 mH	120 m Ohm	2.20
GTCM221408G-282HC	2.85 mH	80 m Ohm	3.00
GTCM221408G-212HC	2.10 mH	50 m Ohm	4.00
GTCM221408G-172HC	1.75 mH	35 m Ohm	5.00
GTCM221408G-132HC	1.30 mH	25 m Ohm	6.00
GTCM221408L-602HC	6.00 mH	120 m Ohm	2.20
GTCM221408L-412HC	4.10 mH	80 m Ohm	3.00
GTCM221408L-302HC	3.00 mH	50 m Ohm	4.00
GTCM221408L-252HC	2.50 mH	35 m Ohm	5.00
GTCM221408L-192HC	1.90 mH	25 m Ohm	6.00

* Inductance Test Condition : G Type 1KHz / 0.25V , L Type 10KHz / 0.1V

* Rated Current : Base on temp. rise up 40deg.C Typ.

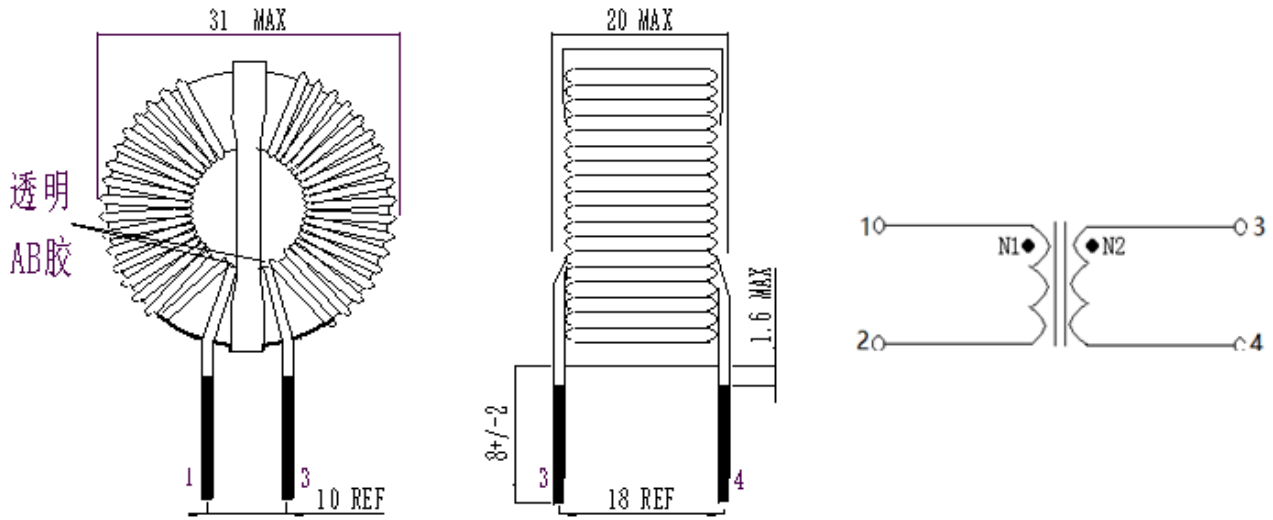
* Insulation : AC1500V , 3 second between line & line.

* Insulation Resistance : 100MΩ min. When DC 500V between line & line.

Product Series : GTCM	Brand : GOTREND
File Version : GTCM-SERIES-V1R0	Editor : Teddy Sun
Established Date : 2021.01.20	Description : Toroidal Common Mode
Latest Edit Date : 2021.01.20	Product Type : <input checked="" type="checkbox"/> Standard <input type="checkbox"/> Customize

GTCM251513-VC Type

Dimension [mm] :



Electrical Characteristics :

Part No.	Inductance L1 = L2 Min.	DCR Max.	Rated Current (A)
GTCM251513G-782VC	7.80 mH	120 m Ohm	3.00
GTCM251513G-532VC	5.35 mH	75 m Ohm	4.00
GTCM251513G-392VC	3.90 mH	50 m Ohm	5.00
GTCM251513G-332VC	3.30 mH	35 m Ohm	6.00
GTCM251513G-242VC	2.45 mH	25 m Ohm	7.00
GTCM251513L-113VC	11.0 mH	120 m Ohm	3.00
GTCM251513L-762VC	7.65 mH	75 m Ohm	4.00
GTCM251513L-562VC	5.60 mH	50 m Ohm	5.00
GTCM251513L-472VC	4.75 mH	35 m Ohm	6.00
GTCM251513L-352VC	3.50 mH	25 m Ohm	7.00

* Inductance Test Condition : G Type 1KHz / 0.25V , L Type 10KHz / 0.1V

* Rated Current : Base on temp. rise up 40deg.C Typ.

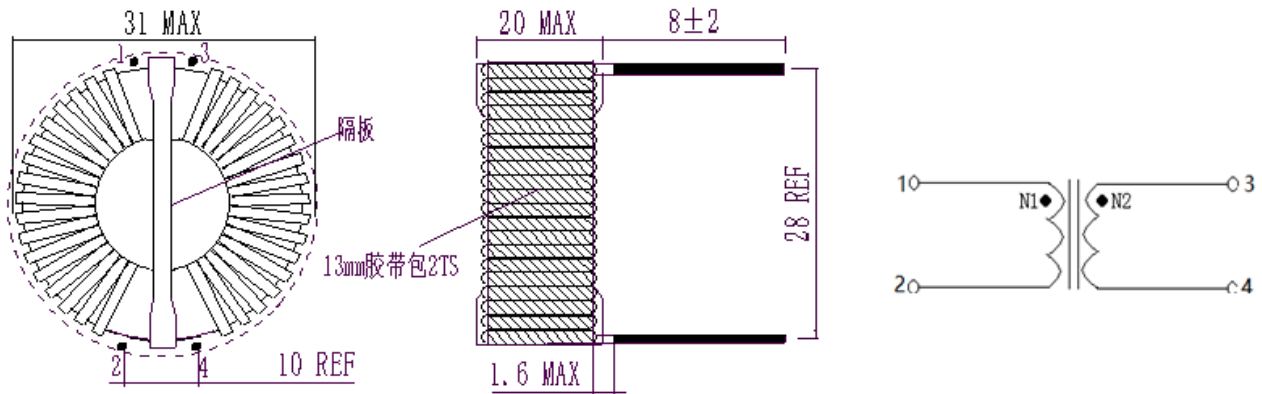
* Insulation : AC1500V , 3 second between line & line.

* Insulation Resistance : 100MΩ min. When DC 500V between line & line.

Product Series : GTCM	Brand : GOTREND
File Version : GTCM-SERIES-V1R0	Editor : Teddy Sun
Established Date : 2021.01.20	Description : Toroidal Common Mode
Latest Edit Date : 2021.01.20	Product Type : <input checked="" type="checkbox"/> Standard <input type="checkbox"/> Customize

GTCM251513-HC Type

Dimension [mm] :



Electrical Characteristics :

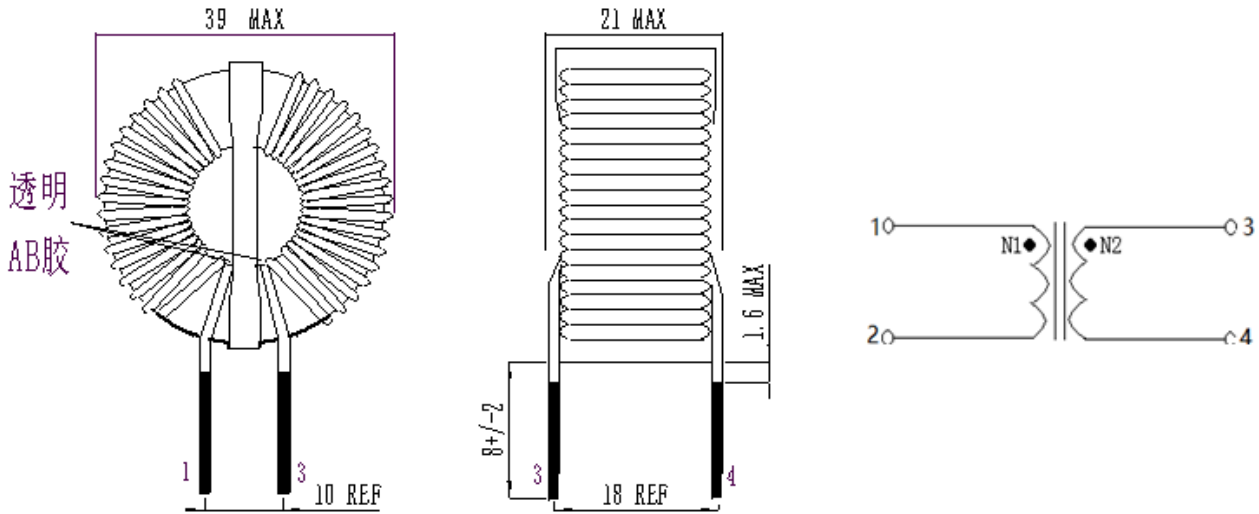
Part No.	Inductance L1 = L2 Min.	DCR Max.	Rated Current (A)
GTCM251513G-782HC	7.80 mH	120 m Ohm	3.00
GTCM251513G-532HC	5.35 mH	75 m Ohm	4.00
GTCM251513G-392HC	3.90 mH	50 m Ohm	5.00
GTCM251513G-332HC	3.30 mH	35 m Ohm	6.00
GTCM251513G-242HC	2.45 mH	25 m Ohm	7.00
GTCM251513L-113HC	11.0 mH	120 m Ohm	3.00
GTCM251513L-762HC	7.65 mH	75 m Ohm	4.00
GTCM251513L-562HC	5.60 mH	50 m Ohm	5.00
GTCM251513L-472HC	4.75 mH	35 m Ohm	6.00
GTCM251513L-352HC	3.50 mH	25 m Ohm	7.00

- * Inductance Test Condition : G Type 1KHz / 0.25V , L Type 10KHz / 0.1V
- * Rated Current : Base on temp. rise up 40deg.C Typ.
- * Insulation : AC1500V , 3 second between line & line.
- * Insulation Resistance : 100MΩ min. When DC 500V between line & line.

Product Series : GTCM	Brand : GOTREND
File Version : GTCM-SERIES-V1R0	Editor : Teddy Sun
Established Date : 2021.01.20	Description : Toroidal Common Mode
Latest Edit Date : 2021.01.20	Product Type : <input checked="" type="checkbox"/> Standard <input type="checkbox"/> Customize

GTCM311913-VC Type

Dimension [mm] :



Electrical Characteristics :

Part No.	Inductance L1 = L2 Min.	DCR Max.	Rated Current (A)
GTCM311913G-113VC	11.5 mH	120 m Ohm	4.00
GTCM311913G-582VC	5.80 mH	55 m Ohm	6.00
GTCM311913G-372VC	3.75 mH	30 m Ohm	8.00
GTCM311913G-312VC	3.15 mH	25 m Ohm	10.0
GTCM311913G-232VC	2.35 mH	20 m Ohm	12.0
GTCM311913L-163VC	16.0 mH	120 m Ohm	4.00
GTCM311913L-832VC	8.30 mH	55 m Ohm	6.00
GTCM311913L-542VC	5.40 mH	30 m Ohm	8.00
GTCM311913L-452VC	4.50 mH	25 m Ohm	10.0
GTCM311913L-342VC	3.40 mH	20 m Ohm	12.0

* Inductance Test Condition : G Type 1KHz / 0.25V , L Type 10KHz / 0.1V

* Rated Current : Base on temp. rise up 40deg.C Typ.

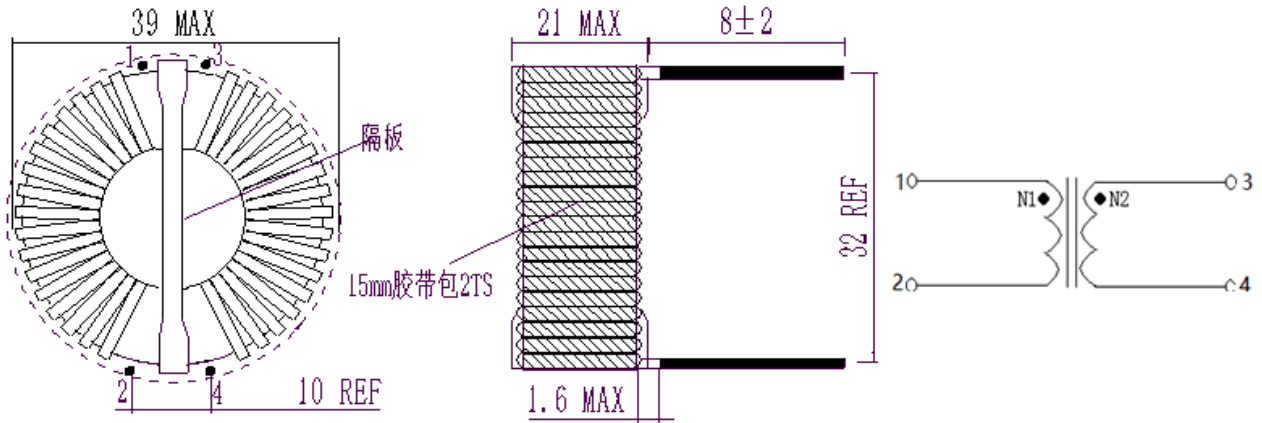
* Insulation : AC1500V , 3 second between line & line.

* Insulation Resistance : 100MΩ min. When DC 500V between line & line.

Product Series : GTCM	Brand : GOTREND
File Version : GTCM-SERIES-V1R0	Editor : Teddy Sun
Established Date : 2021.01.20	Description : Toroidal Common Mode
Latest Edit Date : 2021.01.20	Product Type : <input checked="" type="checkbox"/> Standard <input type="checkbox"/> Customize

GTCM311913-HC Type

Dimension [mm] :



Electrical Characteristics :

Part No.	Inductance L1 = L2 Min.	DCR Max.	Rated Current (A)
GTCM311913G-113HC	11.5 mH	120 m Ohm	4.00
GTCM311913G-582HC	5.80 mH	55 m Ohm	6.00
GTCM311913G-372HC	3.75 mH	30 m Ohm	8.00
GTCM311913G-312HC	3.15 mH	25 m Ohm	10.0
GTCM311913G-232HC	2.35 mH	20 m Ohm	12.0
GTCM311913L-163HC	16.0 mH	120 m Ohm	4.00
GTCM311913L-832HC	8.30 mH	55 m Ohm	6.00
GTCM311913L-542HC	5.40 mH	30 m Ohm	8.00
GTCM311913L-452HC	4.50 mH	25 m Ohm	10.0
GTCM311913L-342HC	3.40 mH	20 m Ohm	12.0

* Inductance Test Condition : G Type 1KHz / 0.25V , L Type 10KHz / 0.1V

* Rated Current : Base on temp. rise up 40deg.C Typ.

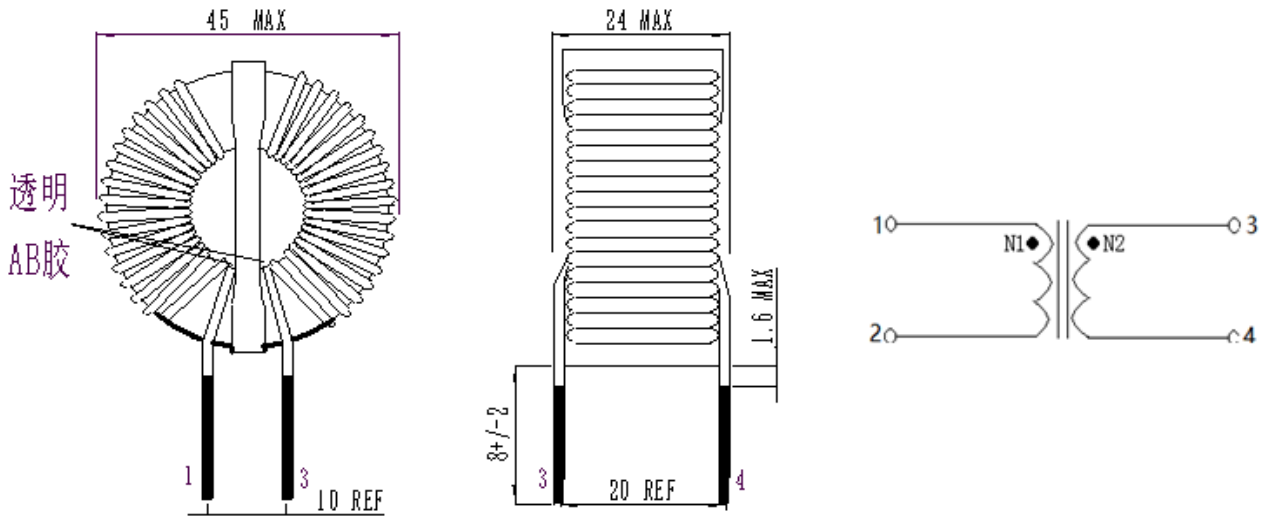
* Insulation : AC1500V , 3 second between line & line.

* Insulation Resistance : 100MΩ min. When DC 500V between line & line.

Product Series : GTCM	Brand : GOTREND
File Version : GTCM-SERIES-V1R0	Editor : Teddy Sun
Established Date : 2021.01.20	Description : Toroidal Common Mode
Latest Edit Date : 2021.01.20	Product Type : <input checked="" type="checkbox"/> Standard <input type="checkbox"/> Customize

GTCM362315-VC Type

Dimension [mm] :



Electrical Characteristics :

Part No.	Inductance L1 = L2 Min.	DCR Max.	Rated Current (A)
GTCM362315G-103VC	10.0 mH	80 m Ohm	6.00
GTCM362315G-712VC	7.15 mH	45 m Ohm	8.00
GTCM362315G-532VC	5.35 mH	30 m Ohm	12.0
GTCM362315G-462VC	4.65 mH	20 m Ohm	13.5
GTCM362315G-362VC	3.60 mH	15.5 m Ohm	15.5
GTCM362315L-143VC	14.5 mH	80 m Ohm	6.00
GTCM362315L-103VC	10.0 mH	45 m Ohm	8.00
GTCM362315L-772VC	7.75 mH	30 m Ohm	12.0
GTCM362315L-662VC	6.65 mH	20 m Ohm	13.5
GTCM362315L-502VC	5.00 mH	15.5 m Ohm	15.5

* Inductance Test Condition : G Type 1KHz / 0.25V , L Type 10KHz / 0.1V

* Rated Current : Base on temp. rise up 40deg.C Typ.

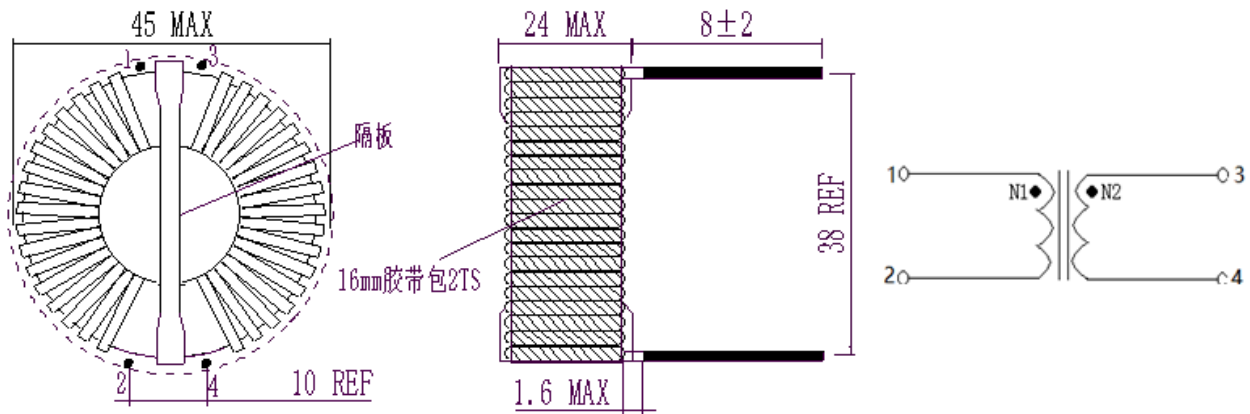
* Insulation : AC1500V , 3 second between line & line.

* Insulation Resistance : 100MΩ min. When DC 500V between line & line.

Product Series : GTCM	Brand : GOTREND
File Version : GTCM-SERIES-V1R0	Editor : Teddy Sun
Established Date : 2021.01.20	Description : Toroidal Common Mode
Latest Edit Date : 2021.01.20	Product Type : <input checked="" type="checkbox"/> Standard <input type="checkbox"/> Customize

GTCM362315-HC Type

Dimension [mm] :



Electrical Characteristics :

Part No.	Inductance L1 = L2 Min.	DCR Max.	Rated Current (A)
GTCM362315G-103HC	10.0 mH	80 m Ohm	6.00
GTCM362315G-712HC	7.15 mH	45 m Ohm	8.50
GTCM362315G-532HC	5.35 mH	30 m Ohm	12.0
GTCM362315G-462HC	4.65 mH	20 m Ohm	13.5
GTCM362315G-362HC	3.60 mH	15.5 m Ohm	15.5
GTCM362315L-143HC	14.5 mH	80 m Ohm	6.00
GTCM362315L-103HC	10.0 mH	45 m Ohm	8.00
GTCM362315L-772HC	7.75 mH	30 m Ohm	12.0
GTCM362315L-662HC	6.65 mH	20 m Ohm	13.5
GTCM362315L-502HC	5.00 mH	15.5 m Ohm	15.5

* Inductance Test Condition : G Type 1KHz / 0.25V , L Type 10KHz / 0.1V

* Rated Current : Base on temp. rise up 40deg.C Typ.

* Insulation : AC1500V , 3 second between line & line.

* Insulation Resistance : 100MΩ min. When DC 500V between line & line.

Product Series : GTCM	Brand : GOTREND
File Version : GTCM-SERIES-V1R0	Editor : Teddy Sun
Established Date : 2021.01.20	Description : Toroidal Common Mode
Latest Edit Date : 2021.01.20	Product Type : <input checked="" type="checkbox"/> Standard <input type="checkbox"/> Customize

Care note :

Care note for Use :

(1) Storage Condition :

Temperature 25 to 35 deg.C , Humidity 45 to 60% RH

(2) Use Temperature :

- a. Minimum Temperature : -40 deg.C Ambient temperature of this product.
- b. Maximum Temperature : +85 deg.C The value of temperature including ambient and temperature rise of this product.
- c. Reliability test temperature range from -40 ~ +85 deg.C
- d. However, this is not meant as temperature grade guarantee for UL.

(3) Model :

When this product was used in a similar or as new product to the original one, sometimes it might be unable to satisfy the specifications due to difference in condition of usage.

(4) Drop :

If this product suffered mechanical stress such as drop, characteristics may become poor (due to damage on coil / bobbin / ferrite ... etc.)
Never use such stressed product.

Care note for Safety :

(1) Provision to Abnormal Condition :

This product itself does not have any protective function in abnormal condition such as overload, short-circuit and open-circuit conditions, etc.
Therefore, it shall be confirmed from the end product that there is no risk of smoking, fire, dielectric withstand voltage insulation resistance, etc. in abnormal conditions to provide protective devices and /or protection circuit in the end product.

(2) Temperature Rise :

Temperature rise on this product depends on the installation condition on end products.
It shall be confirmed on the actual end product that temperature rise of this product is within the specified temperature class limit.

(3) Dielectric Strength :

Dielectric withstanding test with higher voltage than specific value will damage insulating material and shorten its life.

(4) Water :

This product must not be used in wet condition resulted from water, coffee or any liquid contact because insulation strength becomes very low under such condition.

(5) Potting :

If this product is potted in some compound, coating material of magnet wire might be occasionally damaged. Please ask us if you intend to pot this product.

(6) Detergent :

Please consult our company immediately once under such circumstances because product reliability confirmation etc. is needed when this product come in contact with these chemicals.

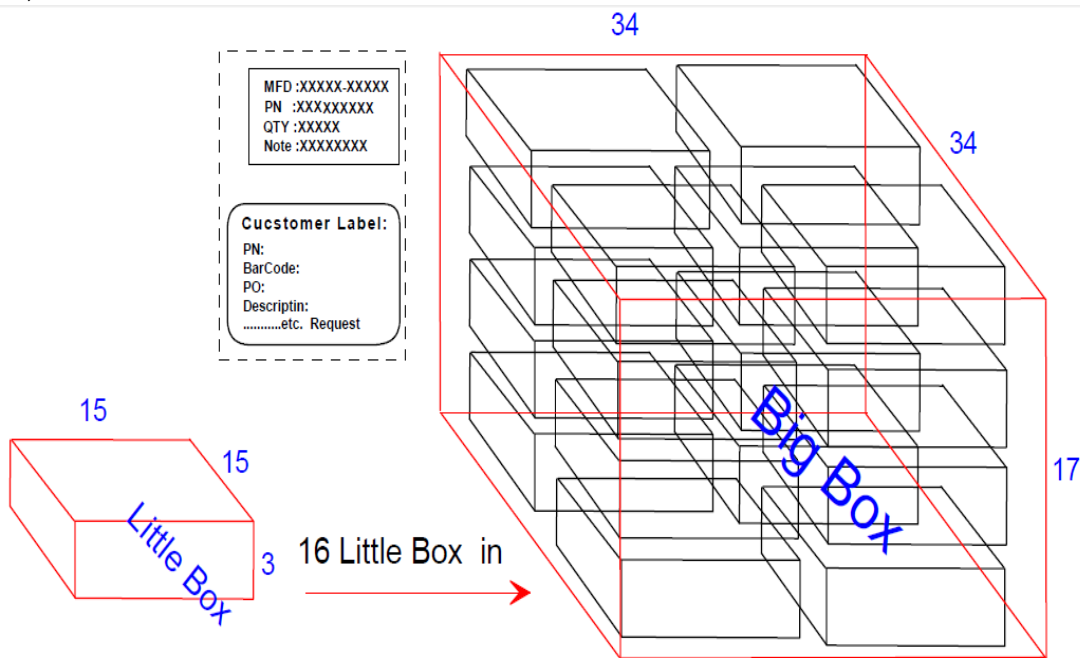
Product Series : GTCM	Brand : GOTREND
File Version : GTCM-SERIES-V1R0	Editor : Teddy Sun
Established Date : 2021.01.20	Description : Toroidal Common Mode
Latest Edit Date : 2021.01.20	Product Type : <input checked="" type="checkbox"/> Standard <input type="checkbox"/> Customize

Reliability :

SN	Test Item	Test Condition	Specification		
1	Dimension	Actual Size ...	Meet Spec		
2	Thermal Shock (Temperature Cycle)	Temperature : -40 ~ +85 deg.C kept stabilized for 30 min. each Cycle : 100 Cycles (power off)	Elec. no variation Appearance no deformation		
3	Humidity Resistance	Humidity : 90% ~ 95% RH Temperature : 60 ± 2 deg.C · Test Time : 96 ± 2 Hours	Elec. no variation Appearance no deformation		
4	High Temperature	Temperature : 85 ± 2 deg.C Testing Time : 96 ± 2 Hours	Elec. no variation Appearance no deformation		
5	Low Temperature	Temperature : -40 ± 2 deg.C Time : 96 ± 2 Hours	Elec. no variation Appearance no deformation		
6	Temperature and Humidity Cycle	Temperature	Humidity	Time	Elec. no variation Appearance no deformation
		25 deg.C	90% ~ 95% RH	3.0 Hr	
		55 deg.C	95% ~ 96% RH	5.0 Hr	
		25 deg.C	90% ~ 95% RH	3.0 Hr	
		Cycle : 20 Cycles			
7	Vibration	Frequency : 10Hz ~ 55Hz · Amplitude : 1.5 mm Direction : X · Y · Z · Time : 2 Hours each	Elec. no variation Appearance no deformation		
8	Solderability	Go through real SMT IR-Reflow The profile like our suggest profile. Preheat : 160 ± 10 deg.C (90 sec) Peak : 245 ± 5 deg.C Peak Time : 50 Sec. / up 217 deg.C	Elec. no variation Appearance no deformation		
9	High-Voltage	100 V DC between core & winding	Elec. no variation Appearance no deformation		
10	Load life	Temperature : 25 ± 3 deg.C Load : Allowed DC Current · Test Time : 96 ± 2 Hours	Elec. no variation Appearance no deformation		

Packaging Information :

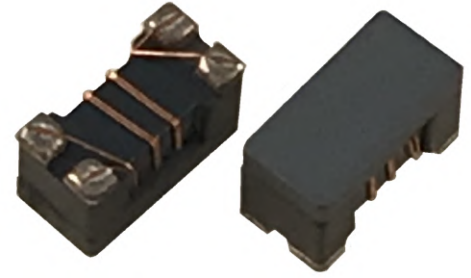
Box Package (cm) :



Product Series : GTHW	Brand : GOTREND
File Version : GTHW-V3R8	Editor : Teddy Sun
Established Date : 2009.02.24	Description : Common Mode Filter
Latest Edit Date : 2020.08.31	Product Type : <input checked="" type="checkbox"/> Standard <input type="checkbox"/> Customize

Features & Application :

- * Common Mode Filter for high speed signal line
- * Fit for signal line circuit : USB2.0 / IEEE1394
- * To help you go pass the CE/FCC standard.
- * Mobile Device / Handheld Device / LowProfile Device



(Picture for reference only)

Part No. Example :

PN	:	GTHW	3216	P	B	-	601	T
-----		-----	-----	-----	---		-----	---
ID	:	1	2	3	4		5	6
1	:	GOTREND Series Code						
2	:	Length 3.2 mm X Width 1.6 mm						
3	:	Pb free <100ppm						
4	:	[E][B][D] : Material Code						
5	:	Impedance [ohm] @ 100MHz = 600 ohm						
6	:	Tolerance T = Typical						

Basic Information :

Made in	China
Pin Foot	SMD
Shielding	Yes
J-STD-020	MSL Level 1
RoHS	Compliant
REACH	Compliant
Halogen	Free

Operating & Storage Condition :

- * Operating Temp -40 ~ +125 deg.C (Including self - temperature rise)
- * Storage Temp 1. -10 ~ +45 deg.C , 50 ~ 60% RH (Product with taping)
2. -40 ~ +125 deg.C (On board)
- * Storage Life Time 6 Month (Less than 40 deg.C and 60% RH)

Attention & Caution :

- * Keep out of Splashing water or salt water
- * Avoid Toxic Gas (Hydrogen sulfide, Sulfurous acid, Chlorine, Ammonia)
- * Avoid Vibrations or shocks which exceed the specified condition
- * Avoid Dew condense
- * Avoid Layout near the edge of PCB
- * Avoid Over flexure after SMT mounting & PCBA



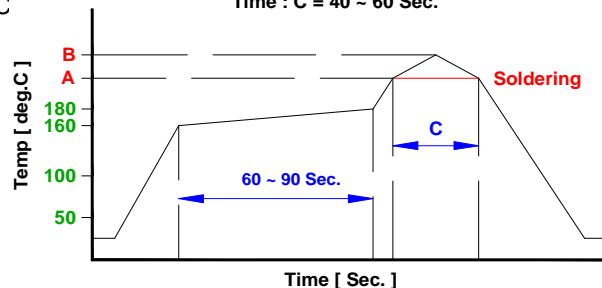
- * Pin foot or SMD pad solderability: Pb free type is best within 6 months after delivery
- * Humidity sensitive , IPC/JEDEC J-STD-020 MSL if over Level 1, recommend bake 30mins@150 degree before PCBA
- * Caution for human life relative applications : PLS contact & consult with GOTREND team in design stage.

Test Condition :

- * Equipment HP4284A , HP42841A - L , Q , DCR , IDC
HP8753D Network analyzer - SRF
- * Standard Atmosphere Conditions:
Ambient Temperature 20 ± 15 deg.C
Humidity RH 65 ± 20%
- * If there may be any doubt on the test result ,
Measurement shall be made within the following limits:
Ambient Temperature 25 ± 5 deg.C
Humidity RH 75 ± 10%

Recommend IR Reflow Curve : GTX-IR-FILE001

Lead Free Solder : A = 217 deg.C , B = 245+/-5 deg.C
Time : C = 40 ~ 60 Sec.

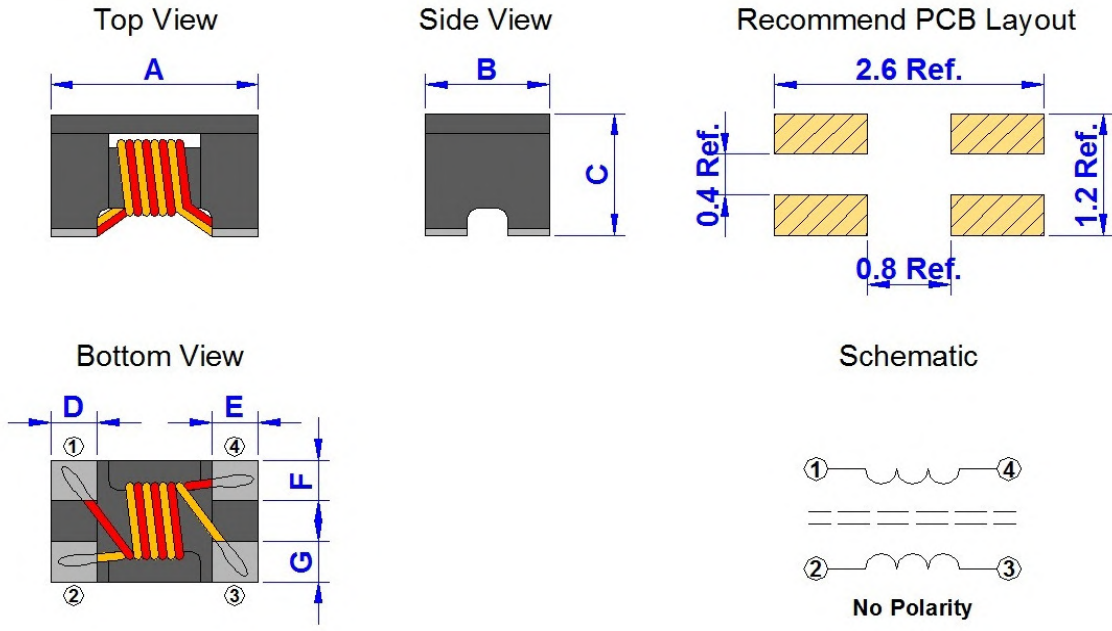


Notice : Iron Soldering , Solder < 30 Watt ,
Direct touch the terminal x 3 Sec. Max. @ 350 deg.C

Product Series : GTHW	Brand : GOTREND
File Version : GTHW-V3R8	Editor : Teddy Sun
Established Date : 2009.02.24	Description : Common Mode Filter
Latest Edit Date : 2020.08.31	Product Type : <input checked="" type="checkbox"/> Standard <input type="checkbox"/> Customize

GTHW2012P-SERIES

Dimension [mm] :



TYPE	A	B	C	D	E	F	G
2012	2.0+/-0.2	1.2+/-0.2	1.2+/-0.2	0.4+/-0.2	0.4+/-0.2	0.4+/-0.2	0.4+/-0.2

Electrical Characteristics :

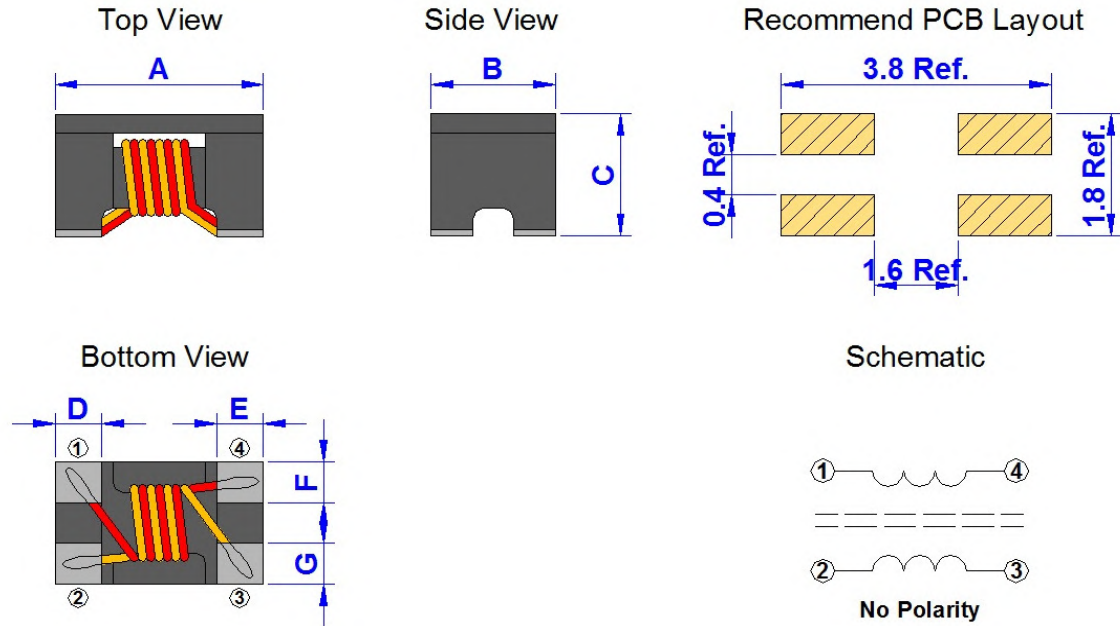
Part No.	Common Mode(Min.) Impedance(Ohm) @100MHz	Common Mode(Typ.) Impedance(Ohm) @100MHz	Rated Voltage / Withstanding Voltage V(DC)	DCR (Ohm) (Max.)	Rated Current (mA) (Max.)	Insulation Res. Min. (M Ohm)
GTHW2012P□- 670T	30	67	50/125	0.25	400	10
GTHW2012P□- 900T	60	90	50/125	0.30	400	10
GTHW2012P□- 121T	95	120	50/125	0.30	370	10
GTHW2012P□- 161T	115	160	50/125	0.35	330	10
GTHW2012P□- 181T	135	180	50/125	0.35	330	10
GTHW2012P□- 221T	145	220	50/125	0.35	330	10
GTHW2012P□- 361T	200	360	50/125	0.40	280	10
GTHW2012P□- 401T	320	400	50/125	0.40	280	10
GTHW2012P□- 601T	450	600	50/125	0.375	250	10
GTHW2012P□- 102T	750	1000	50/125	0.80	100	10

* Rated Current based on increasing product temperature : Current when temperature of the product reaches +40 deg.C .

Product Series : GTHW	Brand : GOTREND
File Version : GTHW-V3R8	Editor : Teddy Sun
Established Date : 2009.02.24	Description : Common Mode Filter
Latest Edit Date : 2020.08.31	Product Type : <input checked="" type="checkbox"/> Standard <input type="checkbox"/> Customize

GTHW3216P-SERIES

Dimension [mm] :



TYPE	A	B	C	D	E	F	G
3216	3.2+/-0.2	1.6+/-0.2	2.0+/-0.2	0.6+/-0.2	0.6+/-0.2	0.6+/-0.2	0.6+/-0.2

Electrical Characteristics :

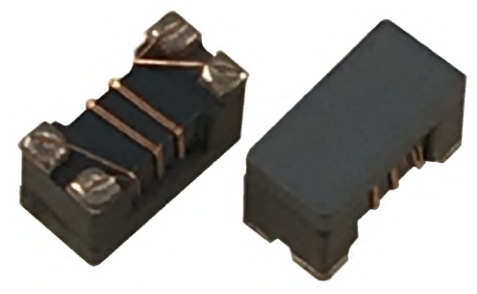
Part No.	Common Mode(Min.) Impedance(Ohm) @100MHz	Common Mode(Typ.) Impedance(Ohm) @100MHz	Rated Voltage / Withstanding Voltage V(DC)	DCR (Ohm) (Max.)	Rated Current (mA) (Max.)	Insulation Res. Min. (M Ohm)
GTHW3216P□- 900T	60	90	50/125	0.30	370	10
GTHW3216P□- 121T	90	120	50/125	0.30	370	10
GTHW3216P□- 161T	115	160	50/125	0.40	340	10
GTHW3216P□- 221T	145	220	50/125	0.50	310	10
GTHW3216P□- 601T	425	600	50/125	0.80	260	10
GTHW3216P□- 102T	700	1000	50/125	1.00	230	10
GTHW3216P□- 222T	1560	2200	50/125	1.20	200	10

* Rated Current based on increasing product temperature : Current when temperature of the product reaches +40 deg.C .

Product Series : GCMF	Brand : GOTREND
File Version : GCMF-V1R5	Editor : Teddy Sun
Established Date : 2011.12.23	Description : Common Mode Choke Coil
Latest Edit Date : 2020.10.29	Product Type : <input checked="" type="checkbox"/> Standard <input type="checkbox"/> Customize

Features & Application :

- * Common Mode Filter for high speed signal line
- * Fit for signal line circuit : HDMI / USB3.0 6.0GHz
- * To help you go pass the CE/FCC standard.
- * Mobile Device / Handheld Device / LowProfile Device



(Picture for reference only)

Part No. Example :

PN	:	GCMF	2012	P	<input type="checkbox"/>	-	900	T
-----		-----	-----	-----	-----		-----	-----
ID	:	1	2	3	4		5	6
1	:	GOTRED Series Code						
2	:	Length 2.0 mm X Width 1.2 mm						
3	:	Pb < 1000 ppm						
4	:	U: Identification Code [U = 6.0 GHz] H: Identification Code [H = 4.0 GHz] N: Identification Code [N = 7.5 GHz]						
5	:	Impedance [Ohm] @ 100MHz = 90 Ohm						
6	:	Reel Tapping						

Basic Information :

Made in	China
Pin Foot	SMD
Shielding	Yes
J-STD-020	MSL Level 1
RoHS	Compliant
REACH	Compliant
Halogen	Free

Operating & Storage Condition :

- * Operating Temp -40 ~ +125 deg.C (Including self - temperature rise)
- * Storage Temp 1. -10 ~ +45 deg.C , 50 ~ 60% RH (Product with taping)
2. -40 ~ +125 deg.C (On board)
- * Storage Life Time 6 Month (Less than 40 deg.C and 60% RH)

Attention & Caution :

- * Keep out of Splashing water or salt water
- * Avoid Toxic Gas (Hydrogen sulfide, Sulfurous acid, Chlorine, Ammonia)
- * Avoid Vibrations or shocks which exceed the specified condition
- * Avoid Dew condense
- * Avoid Layout near the edge of PCB
- * Avoid Over flexure after SMT mounting & PCBA



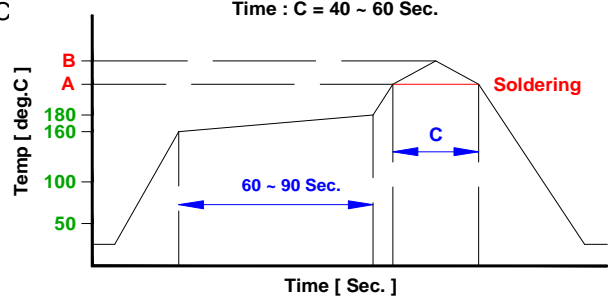
- * Pin foot or SMD pad solderability: Pb free type is best within 6 months after delivery
- * Humidity sensitive , IPC/JEDEC J-STD-020 MSL if over Level 1, recommend bake 30mins@150 degree before PCBA
- * Caution for human life relative applications : PLS contact & consult with GOTREND team in design stage.

Test Condition :

- * Equipment HP4284A , HP42841A - L , Q , DCR , IDC
HP8753D Network analyzer - SRF
- * Standard Atmosphere Conditions:
Ambient Temperature 20 ± 15 deg.C
Humidity RH 65 ± 20%
- * If there may be any doubt on the test result ,
Measurement shall be made within the following limits:
Ambient Temperature 25 ± 5 deg.C
Humidity RH 75 ± 10%

Recommend IR Reflow Curve : GTX-IR-FILE001

Lead Free Solder : A = 217 deg.C , B = 245+/-5 deg.C
Time : C = 40 ~ 60 Sec.

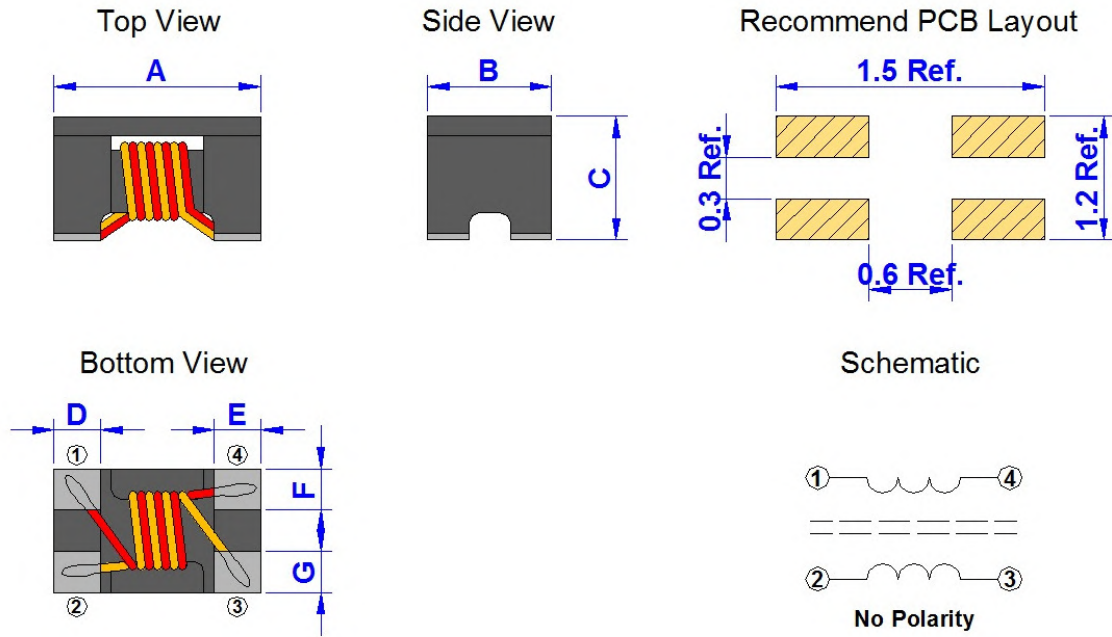


**Notice : Iron Soldering , Solder < 30 Watt ,
Direct touch the terminal x 3 Sec. Max. @ 350 deg.C**

Product Series : GCMF	Brand : GOTREND
File Version : GCMF-V1R5	Editor : Teddy Sun
Established Date : 2011.12.23	Description : Common Mode Choke Coil
Latest Edit Date : 2020.10.29	Product Type : <input checked="" type="checkbox"/> Standard <input type="checkbox"/> Customize

GCMF1210P□-SERIES

Dimension [mm] :



Size	A	B	C	D	E	F	G
1210	1.2+/-0.2	1.0+/-0.2	0.9 max.	0.33 typ.	0.33 typ.	0.36 typ.	0.36 typ.

Electrical Characteristics :

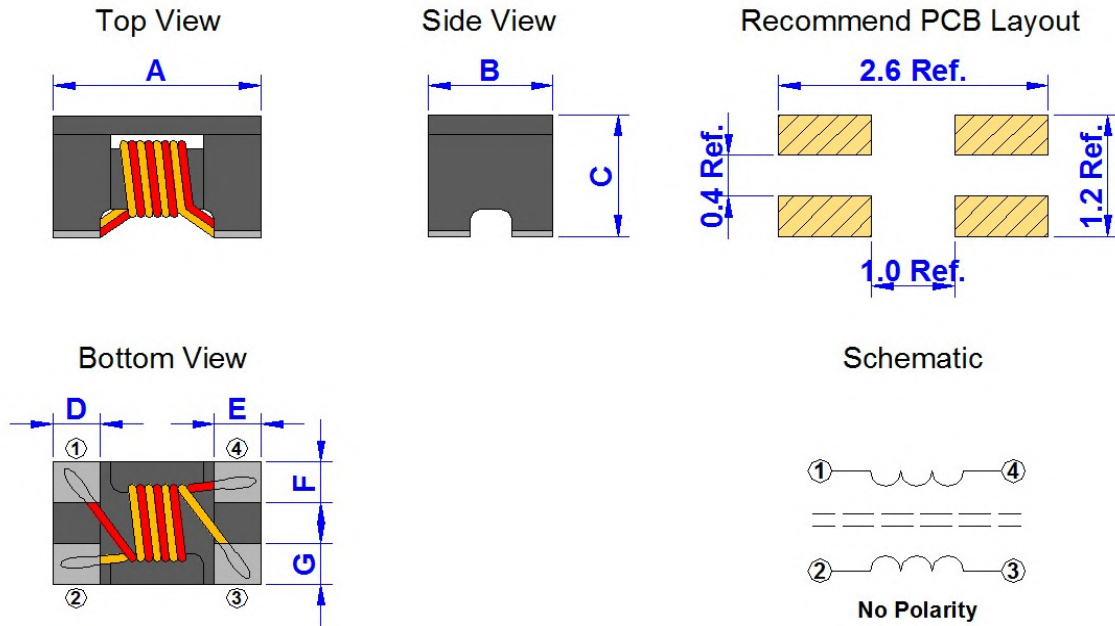
Part No.	Common Mode impedance(Ohm) @100MHz	DCR (Ohm) (Max.)	Rated Current (mA) (Max.)	Rated Voltage V(DC)	Cut-off Freq.(GHz) (Typ.)	Insulation Res. (M Ohm) (Min.)
GCMF1210PN - 250T	25 Typ.	0.3	300	20	7.5	10
GCMF1210PN - 600T	60 Typ.	0.4	300	20	7.5	10
GCMF1210PN - 670T	67 Typ.	0.3	250	50	7.5	10
GCMF1210PN - 900T	90 Typ.	0.5	280	20	7.5	10

■ Rated Current : For a 40°C temperature rise from 25°C ambient.

Product Series : GCMF	Brand : GOTREND
File Version : GCMF-V1R5	Editor : Teddy Sun
Established Date : 2011.12.23	Description : Common Mode Choke Coil
Latest Edit Date : 2020.10.29	Product Type : <input checked="" type="checkbox"/> Standard <input type="checkbox"/> Customize

GCMF2012P□-SERIES

Dimension [mm] :



Size	A	B	C	D	E	F	G
2012	2.0+/-0.2	1.2+/-0.2	1.2+/-0.2	0.45 typ.	0.45 typ.	0.40 typ.	0.40 typ.

Electrical Characteristics :

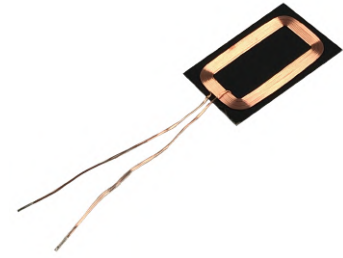
Part No.	Common Mode impedance(Ohm) @100MHz	DCR (Ohm) (Max.)	Rated Current (mA) (Max.)	Rated Voltage V(DC)	Cut-off Freq.(GHz) (Typ.)	Insulation Res. (M Ohm) (Min.)
GCMF2012PU - 900T	65 Min. / 90 Typ.	0.25	300	20	6	10
GCMF2012PH - 900T	65 Min. / 90 Typ.	0.25	300	20	4	10

■ Rated Current : For a 40°C temperature rise from 25°C ambient.

Product Series : GW	Brand : GOTREND
File Version : GW-Rx-SERIES-V1R0	Editor : Teddy Sun
Established Date : 2012.01.06	Description : Wireless Charging Coils
Latest Edit Date : 2020.11.20	Product Type : <input type="checkbox"/> Standard <input checked="" type="checkbox"/> Customize

Features & Application :

- * High permeability shielding for wireless charging coils
- * Blocks charging flux from sensitive components or batteries
- * High saturation powered iron - not affected by permanent locating magnets
- * Durable construction



(Picture for reference only)

Part No. Example :

PN	:	GW	02701706	P	R	-	A018	A23	Y	S	<input type="checkbox"/>
-----		-----	-----	---	---		-----	-----	---	---	---
ID	:	1	2	3	4		5	6	7	8	9
1	:	Product Code : GW									
2	:	Size Code : 02701706 = 27.0 x 17.0 x 0.6 mm									
3	:	P = Pb free < 1000 ppm									
4	:	R = Rx									
5	:	Wire Size : A018 = 1P x 0.18 mm									
6	:	Coil Count and Turns : A23 = 1 Coil by 23.0 Turns									
7	:	Wire Color : Y = Copper Yellow , R = Copper Red									
8	:	[S] : Material Code									
9	:	Serial Number									

Basic Information :

Made in	China
Pin Foot	DIP
Shielding	Yes
J-STD-020	MSL Level 1
RoHS	Compliant
REACH	Compliant
Halogen	Free

Operating & Storage Condition :

- * Operating Temp -40 ~ +85 deg.C (Including self - temperature rise)
- * Storage Temp 1. -10 ~ +45 deg.C , 50 ~ 60% RH (Product with taping)
2. -40 ~ +85 deg.C (On board)
- * Storage Life Time 12 Month (Less than 40 deg.C and 60% RH)

Attention & Caution :

- * Keep out of Splashing water or salt water
- * Avoid Toxic Gas (Hydrogen sulfide, Sulfurous acid, Chlorine, Ammonia)
- Vibrations or shocks which exceed the specified condition
- Dew condense
- Layout near the edge of PCB
- Over flexure after SMT mounting & PCBA



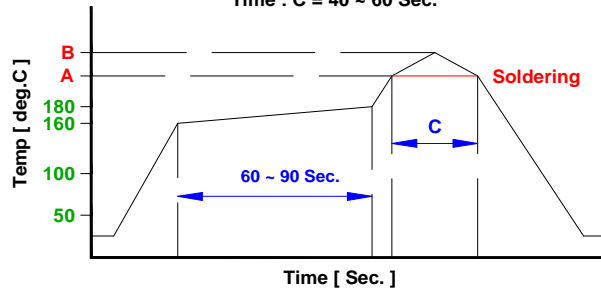
- * Pin foot or SMD pad solderability: Pb free type is best within 6 months after delivery
- * Humidity sensitive , IPC/JEDEC J-STD-020 MSL if over Level 1, recommend bake 30mins@150 degree before PCBA
- * Caution for human life relative applications : PLS contact & consult with GOTREND team in design stage.

Test Condition :

- * Equipment HP4284A , HP42841A - L , DCR , IDC
HP8753D Network analyzer - SRF
- * Standard Atmosphere Conditions:
Ambient Temperature 20 ± 15 deg.C
Humidity RH 65 ± 20%
- * If there may be any doubt on the test result ,
Measurement shall be made within the following limits:
Ambient Temperature 25 ± 5 deg.C
Humidity RH 75 ± 10%

Recommend IR Reflow Curve : GTX-IR-FILE001

Lead Free Solder : A = 217 deg.C , B = 245+/-5 deg.C
Time : C = 40 ~ 60 Sec.



Notice : Iron Soldering , Solder < 30 Watt ,
Direct touch the terminal x 3 Sec. Max. @ 350 deg.C

Product Series : GW	Brand : GOTREND
File Version : GW-Rx-SERIES-V1R0	Editor : Teddy Sun
Established Date : 2012.01.06	Description : Wireless Charging Coils
Latest Edit Date : 2020.11.20	Product Type : <input type="checkbox"/> Standard <input checked="" type="checkbox"/> Customize

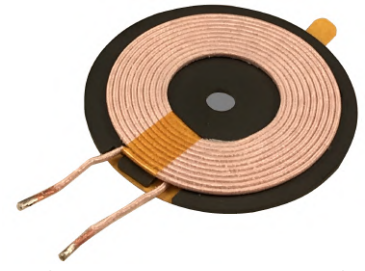
GW-Rx-SERIES

Series Name	Part Name	Dimension (mm)	Inductance Range (uH)	Usage
GW Rx Type	GW02801411PR-A018A30YTS	28.0 x 14.0 x 1.1	30.0 +/- 10%	Wearable
	GW05005003PR-L01A12YS	50.0 x 50.0 x 0.3	10.0 +/- 10%	UltraSlim
	GW02701706PR-A018A23YS	27.0 x 17.0 x 0.6	18.0 +/- 10%	TWS
	GW03711PR-B025A11YS	37.0 (diameter) x 1.1	10.0 +/- 10%	TWS
	GW05205206PT-A18A16YN	53.0 x 53.0 x 6.0	15.0 +/- 10%	FDT-B3
	GW04803209PR-B032A15YS	48.0 x 32.0 x 0.94	11.8 +/- 8%	General
	GW04803209PR-B032A12YS	48.0 x 32.0 x 0.94	8.2 +/- 10%	General

Product Series : GW	Brand : GOTREND
File Version : GW-Tx-SERIES-V1R0	Editor : Teddy Sun
Established Date : 2012.01.06	Description : Wireless Charging Coils
Latest Edit Date : 2020.11.20	Product Type : <input type="checkbox"/> Standard <input checked="" type="checkbox"/> Customize

Features & Application :

- * High permeability shielding for wireless charging coils
- * Blocks charging flux from sensitive components or batteries
- * High saturation powered iron - not affected by permanent locating magnets
- * Durable construction



(Picture for reference only)

Part No. Example :

PN	:	GW	05305306	P	T	- A13	A13	R	N	<input type="checkbox"/>
-----		-----	-----	---	---	-----	-----	---	---	---
ID	:	1	2	3	4	5	6	7	8	9
1	:	Product Code : GW								
2	:	Size Code : 05305306 = 53.0 x 53.0 x 6.5 mm								
3	:	P = Pb free < 1000 ppm								
4	:	T = Tx								
5	:	Wire Size : A13 = 1P x 1.3 mm								
6	:	Coil Count and Turns : A13 = 1 Coil by 13.0 Turns								
7	:	Wire Color : Y = Copper Yellow , R = Copper Red								
8	:	[N] : Material Code								
9	:	Serial Number								

Basic Information :

Made in	China
Pin Foot	DIP
Shielding	Yes
J-STD-020	MSL Level 1
RoHS	Compliant
REACH	Compliant
Halogen	Free

Operating & Storage Condition :

- * Operating Temp -40 ~ +85 deg.C (Including self - temperature rise)
- * Storage Temp 1. -10 ~ +45 deg.C , 50 ~ 60% RH (Product with taping)
2. -40 ~ +85 deg.C (On board)
- * Storage Life Time 12 Month (Less than 40 deg.C and 60% RH)

Attention & Caution :

- * Keep out of Splashing water or salt water
- * Avoid Toxic Gas (Hydrogen sulfide, Sulfurous acid, Chlorine, Ammonia)
- Vibrations or shocks which exceed the specified condition
- Dew condense
- Layout near the edge of PCB
- Over flexure after SMT mounting & PCBA



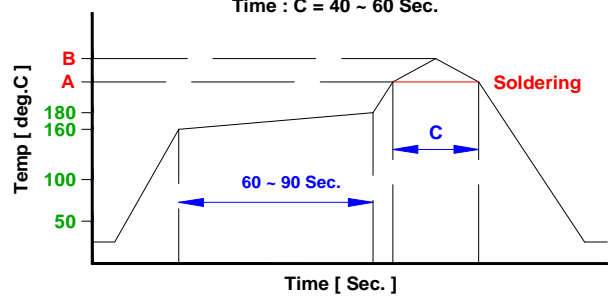
- * Pin foot or SMD pad solderability: Pb free type is best within 6 months after delivery
- * Humidity sensitive , IPC/JEDEC J-STD-020 MSL if over Level 1, recommend bake 30mins@150 degree before PCBA
- * Caution for human life relative applications : PLS contact & consult with GOTREND team in design stage.

Test Condition :

- * Equipment HP4284A , HP42841A - L , DCR , IDC
HP8753D Network analyzer - SRF
- * Standard Atmosphere Conditions:
Ambient Temperature 20 ± 15 deg.C
Humidity RH 65 ± 20%
- * If there may be any doubt on the test result ,
Measurement shall be made within the following limits:
Ambient Temperature 25 ± 5 deg.C
Humidity RH 75 ± 10%

Recommend IR Reflow Curve : GTX-IR-FILE001

Lead Free Solder : A = 217 deg.C , B = 245+/-5 deg.C
Time : C = 40 ~ 60 Sec.



**Notice : Iron Soldering , Solder < 30 Watt ,
Direct touch the terminal x 3 Sec. Max. @ 350 deg.C**

Product Series : GW	Brand : GOTREND
File Version : GW-Tx-SERIES-V1R0	Editor : Teddy Sun
Established Date : 2012.01.06	Description : Wireless Charging Coils
Latest Edit Date : 2020.11.20	Product Type : <input type="checkbox"/> Standard <input checked="" type="checkbox"/> Customize

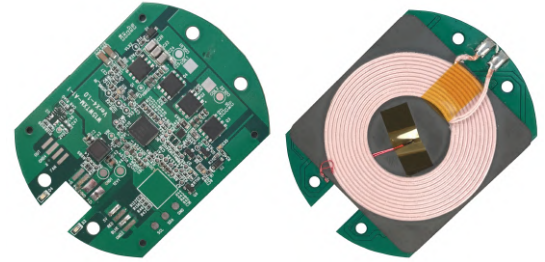
GW-Tx-SERIES

Series Name	Part Name	Dimension (mm)	Inductance Range (uH)	Usage
GW Tx Type	GW02601425PT-A05A20YN	26.0 x 14.0 x 2.5	6.0 +/- 10%	Wearable
	GW04738PT-A11A10RN3	47.0 x 3.8	6.3 +/- 10%	A11
	GW05030PT-A10A10RN7	50.0 x 3.0	6.3 +/- 10%	A11
	GW05804532PT-A11A09RN	58.0 x 45.0 x 3.2	6.8 +5% /- 10%	A28
	GW09805640PT-A12C12RN7-AE	98.0 x 56.5 x 4.0	12.5 +/- 10% , 11.5 +/- 10%	Automotive

Product Series : GMO	Brand : GOTREND
File Version : GMO-SERIES-V1R0	Editor : Teddy Sun
Established Date : 2015.09.14	Description : Wireless Charging Module
Latest Edit Date : 2020.11.20	Product Type : <input type="checkbox"/> Standard <input checked="" type="checkbox"/> Customize

Scope :

- * Applied to wireless charging design
- * Can be customized according to customer needs
- * Widely used in automotive / 3C / consumer appliances



(Picture for reference only)

Part No. Example :

PN	:	GMO	-	WCT	12	12	I	-	A
-----		-----		-----	---	---	---		---
ID	:	1		2	3	4	5		6
1	:	Product Code : GMO							
2	:	WCT = Wireless Charging Transmitter							
3	:	Output voltage : 12 x 1V = 12V							
4	:	Output current : 12 x 100mA = 1200mA							
5	:	IC code							
6	:	Model							

Basic Information :

Made in	China
Pin Foot	DIP
Shielding	Yes
J-STD-020	MSL Level 1
RoHS	Compliant
REACH	Compliant
Halogen	Free

Operating & Storage Condition :

- * Operating Temp 0 ~ +80 deg.C (Including self - temperature rise)
- * Storage Temp 1. 0 ~ +40 deg.C , 50 ~ 60% RH (Product with taping)
2. 0 ~ +80 deg.C (On board)
- * Storage Life Time 12 Month (Less than 40 deg.C and 60% RH)

Attention & Caution :

- * Keep out of Splashing water or salt water
- * Avoid Toxic Gas (Hydrogen sulfide, Sulfurous acid, Chlorine, Ammonia)
- * Avoid Vibrations or shocks which exceed the specified condition
- * Avoid Dew condense



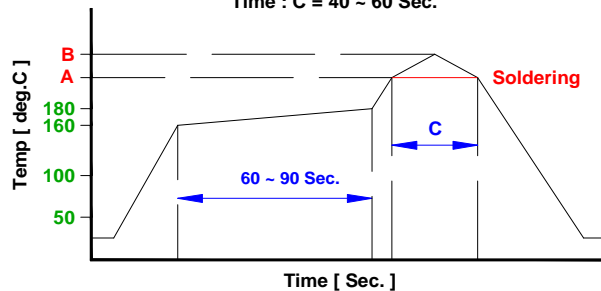
* Caution for human life relative applications : PLS contact & consult with GOTREND team in design stage.

Test Condition :

- * Standard Atmosphere Conditions:
 - Ambient Temperature 20 ± 15 deg.C
 - Humidity RH 65 ± 20%
- * If there may be any doubt on the test result , Measurement shall be made within the following limits:
 - Ambient Temperature 25 ± 5 deg.C
 - Humidity RH 75 ± 10%

Recommend IR Reflow Curve : GTX-IR-FILE001

Lead Free Solder : A = 217 deg.C , B = 245+/-5 deg.C
Time : C = 40 ~ 60 Sec.



Notice : Iron Soldering , Solder < 30 Watt , Direct touch the terminal x 3 Sec. Max. @ 350 deg.C

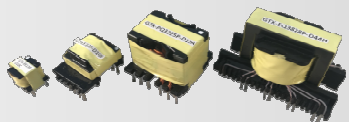
Product Series : GMO	Brand : GOTREND
File Version : GMO-SERIES-V1R0	Editor : Teddy Sun
Established Date : 2015.09.14	Description : Wireless Charging Module
Latest Edit Date : 2020.11.20	Product Type : <input type="checkbox"/> Standard <input checked="" type="checkbox"/> Customize

GMO-SERIES

Series Name	Part Name	Input Voltage	Output Wattage
GMO	GMO-WCT1212I-A	12V	15W
	GMO-WCR2465F-A	12V ~ 24V	150W
	GMO-WCR2413F-A	24VDC	300W

CUSTOMIZE

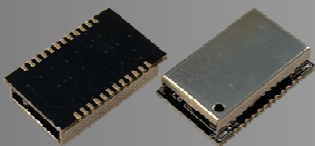
GTX Series: Power Transformer



Wire wound transformers in electronics devices had become a very critical component as lower and lower power and heat dissipation is required in electronics devices to not only prevent devices overheating but also prolong of mobile device usage time. GOTREND provides both AC/DC and DC/DC transformer that supports high Hi-Pot voltages and high power range. Our wide product foot print coverage and customization capability can fulfill most application needs.



GLT Series: LAN Transformer



GOTREND Technology presents a full scope of magnetics modules for Local Area Networks (LAN). Our products are enhanced for use in wide range of application. Product properties includes wide range of transfer speed(10 Base-T, 100 Base-T, 1000 Base-T, 2.5G Base-T, 5G Base-T and 10G Base-T), PoE supports(IEEE 802.3af ~ IEEE 802.3bt Type 4) and wide temperature range support (-40°C to $+85^{\circ}\text{C}$)



GFC Series: EMI/EMC Ferrite Core



Meeting of EMI/EMC requirements are strictly enforced in all electronic products globally, GOTREND Technology ferrite core product undergoes strict process control and sintered at high temperature ($>1000^{\circ}\text{C}$). Through this strict process control, products electrical and mechanical properties can be closely controlled thus optimizing specific usage requirements.



Product Series : GTX	Brand : GOTREND
File Version : GTX-SA311-SERIES-V1R1	Editor : Teddy Sun
Established Date : 2017.02.02	Description : SMD Transformer
Latest Edit Date : 2020.11.20	Product Type : <input checked="" type="checkbox"/> Standard <input type="checkbox"/> Customize

Features & Application :

1. Encapsulated core and winding for anti-shock proof.
2. High Q and high sensitivity due to optimized magnetic material and electrode structure.
3. Wide inductance range for design flexibility.
4. Triaxial LF antenna coil.
5. Suitable as a Transponder Antenna Coil for TPMS and Keyless Entry System. (Vehicle application)



(Picture for reference only)

Part No. Example :

PN	:	GTX	SA311	-	472	J
-----		-----	-----		-----	----
ID	:	1	2		3	4
1	:	GOTREND Series Code				
2	:	GOTREND Part Number				
3	:	Inductance : 472 = 4.7 mH				
4	:	Tolerance : J = 5%				

Basic Information :

Made in	China
Pin Foot	SMD
Shielding	No
J-STD-020	MSL Level 1
RoHS	Compliant
REACH	Compliant
Halogen	Free

Operating & Storage Condition :

- * Operating Temp -40 ~ +125 deg.C (Including self - temperature rise)
- * Storage Temp
 1. -10 ~ +45 deg.C , 50 ~ 60% RH (Product with taping)
 2. -40 ~ +125 deg.C (On board)
- * Storage Life Time 6 Month (Less than 20 deg.C and 65% RH)

Attention & Caution :

- * Keep out of Splashing water or salt water
- * Avoid Toxic Gas (Hydrogen sulfide, Sulfurous acid, Chlorine, Ammonia)
- * Avoid Vibrations or shocks which exceed the specified condition
- * Avoid Dew condense
- * Avoid Layout near the edge of PCB
- * Avoid Over flexure after SMT mounting & PCBA



- * Pin foot or SMD pad solderability: Pb free type is best within 6 months after delivery
- * Humidity sensitive , IPC/JEDEC J-STD-020 MSL if over Level 1, recommend bake 30mins@150 degree before PCBA
- * Caution for human life relative applications : PLS contact & consult with GOTREND team in design stage.

Test Condition :

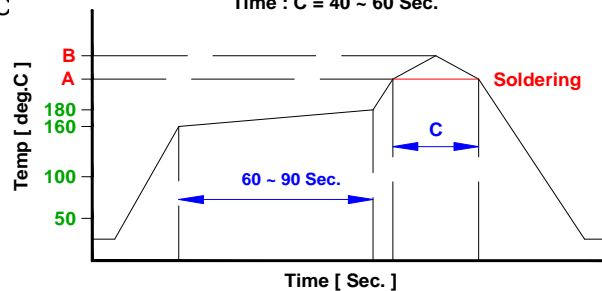
- * Equipment HP4284A , HP42841A - L , Q , DCR , IDC
HP8753D Network analyzer - SRF
- * Standard Atmosphere Conditions:

Ambient	Temperature 20 ± 15 deg.C
	Humidity RH 65 ± 20%
- * If there may be any doubt on the test result ,
Measurement shall be made within the following limits:

Ambient	Temperature 25 ± 5 deg.C
	Humidity RH 75 ± 10%

Recommend IR Reflow Curve : GTX-IR-FILE001

Lead Free Solder : A = 217 deg.C , B = 245+/-5 deg.C
Time : C = 40 ~ 60 Sec.

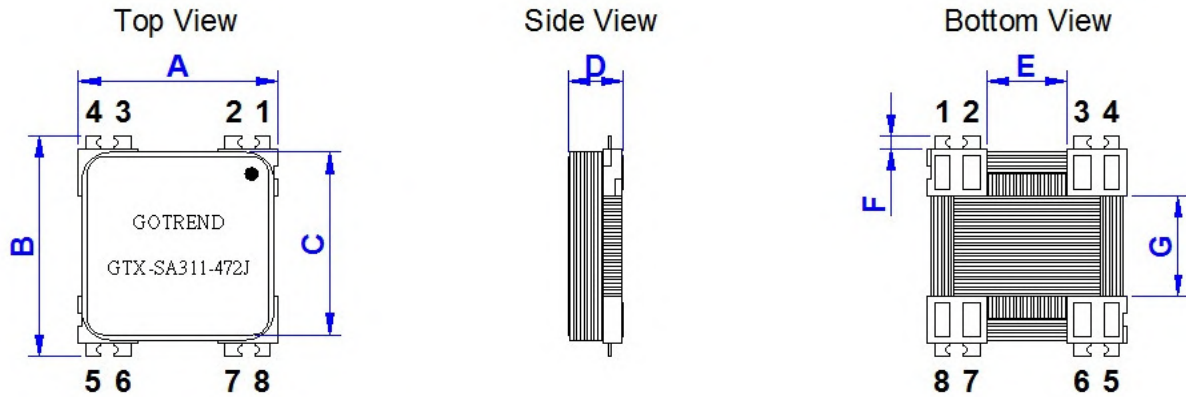


Notice : Iron Soldering , Solder < 30 Watt ,
Direct touch the terminal x 3 Sec. Max. @ 350 deg.C

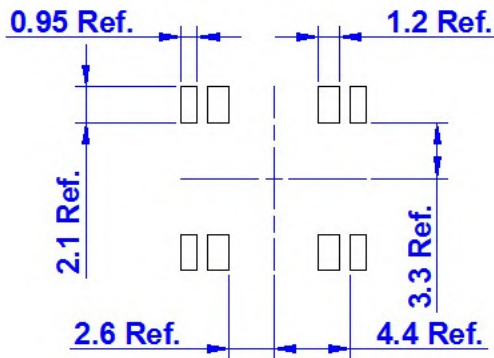
Product Series : GTX	Brand : GOTREND
File Version : GTX-SA311-SERIES-V1R1	Editor : Teddy Sun
Established Date : 2017.02.02	Description : SMD Transformer
Latest Edit Date : 2020.11.20	Product Type : <input checked="" type="checkbox"/> Standard <input type="checkbox"/> Customize

GTX-SA311-472J

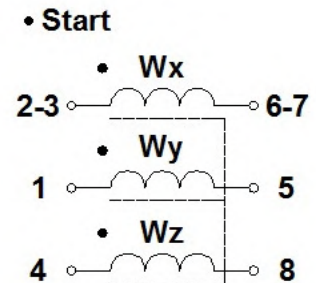
Dimension [mm] :



Recommend PCB Layout



Schematic



Size	A (+/-0.2)	B (+/-0.2)	C (+/-0.2)	D (+/-0.5)	E (+/-0.2)	F (+/-0.2)	G (+/-0.3)
SA311	11.60	13.00	11.30	3.00	4.20	0.75	6.00

Electrical Characteristics :

GOTREND PN	Winding	Inductance (mH) @125KHz, 1V	Q @125KHz, 1V	SRF (KHz) @1V	DCR (Ω)	Sensitivity (mVpp / App / m) @125KHz
GTX-SA311-472J	X (2-3 ~ 6-7)	4.77+/-5%	20.0+/-10%	> 300	90.0+/-10%	> 75
	Y (1 ~ 5)	4.77+/-5%	20.0+/-10%	> 300	100.0+/-10%	> 75
	Z (4 ~ 8)	4.77+/-5%	20.0+/-10%	> 600	135.0+/-10%	> 60

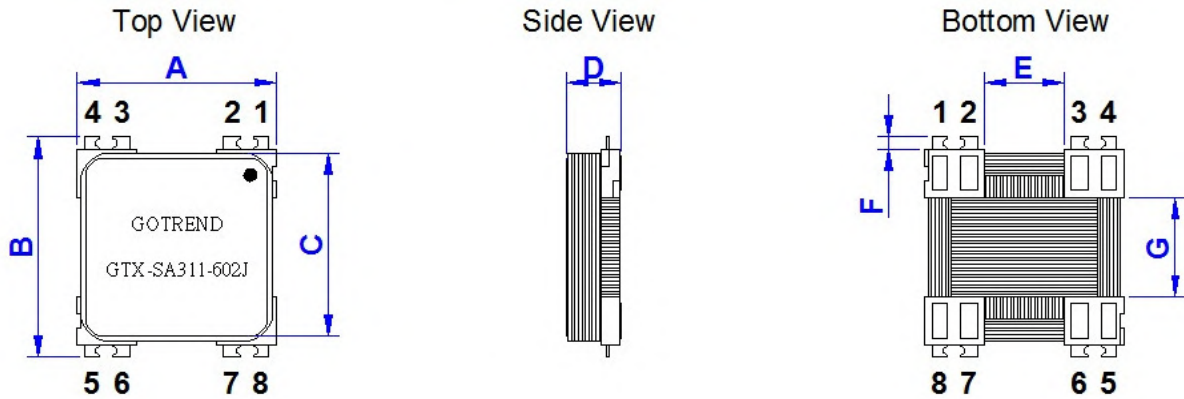
■ The electrical function test environment temperature is 25 °C

■ Sensitivity measured with Helmholtz coils 2 x 5 turns , 309 mm Φ , H = 7 App / m @125KHz.

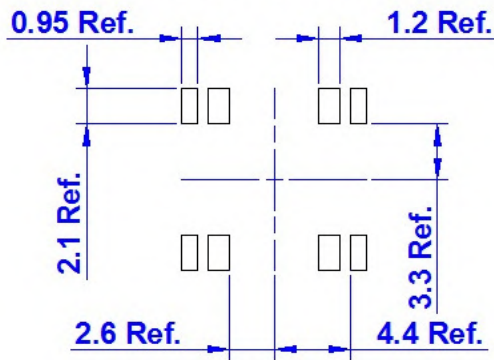
Product Series : GTX	Brand : GOTREND
File Version : GTX-SA311-SERIES-V1R1	Editor : Teddy Sun
Established Date : 2017.02.02	Description : SMD Transformer
Latest Edit Date : 2020.11.20	Product Type : <input checked="" type="checkbox"/> Standard <input type="checkbox"/> Customize

GTX-SA311-602J

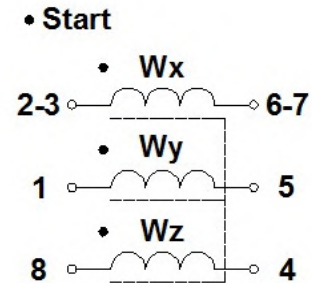
Dimension [mm] :



Recommend PCB Layout



Schematic



Size	A (+/-0.2)	B (+/-0.2)	C (+/-0.2)	D (+/-0.5)	E (+/-0.2)	F (+/-0.2)	G (+/-0.3)
SA311	11.60	13.00	11.30	3.00	4.20	0.75	6.00

Electrical Characteristics :

GOTREND PN	Winding	Inductance (mH) @125KHz, 1V	Q @125KHz, 1V	SRF (KHz) @1V	DCR (Ω)	Sensitivity (mVpp / App / m) @125KHz
GTX-SA311-602J	X (2-3 ~ 6-7)	6.0+/-5%	5.5 Ref.	225 Min.	143.0 Max.	15.0 Min.
	Y (1 ~ 5)	6.0+/-5%	5.5 Ref.	225 Min.	143.0 Max.	15.0 Min.
	Z (8 ~ 4)	7.1+/-5%	4.0 Ref.	550 Min.	220.0 Max.	15.0 Min.

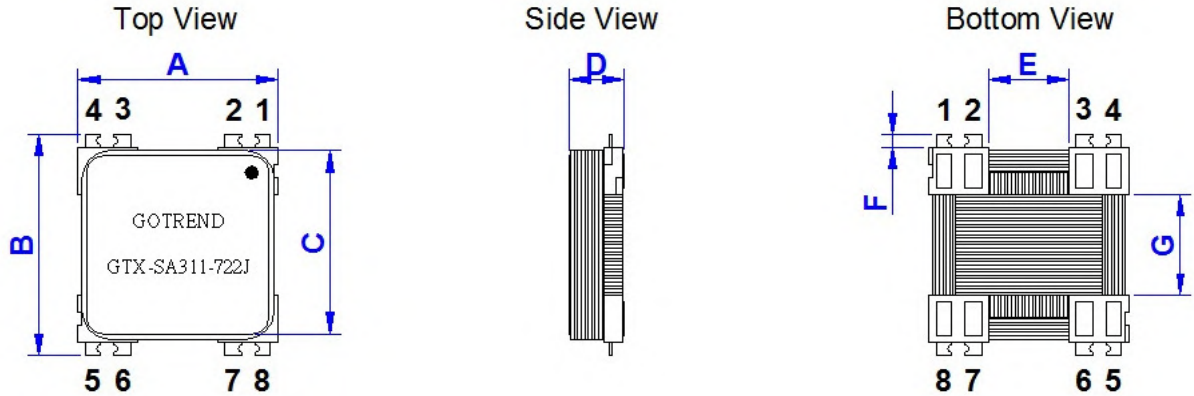
■ The electrical function test environment temperature is 25 °C

■ Sensitivity measured with Helmholtz coils 2 x 5 turns, 309 mm Φ, H = 7 App / m @125KHz.

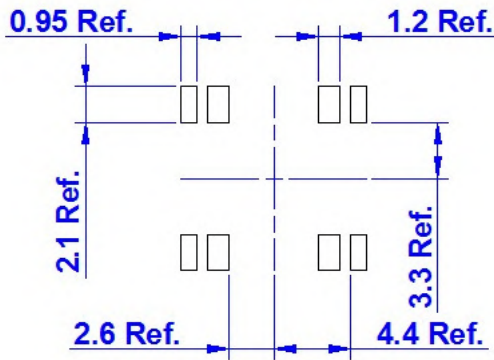
Product Series : GTX	Brand : GOTREND
File Version : GTX-SA311-SERIES-V1R1	Editor : Teddy Sun
Established Date : 2017.02.02	Description : SMD Transformer
Latest Edit Date : 2020.11.20	Product Type : <input checked="" type="checkbox"/> Standard <input type="checkbox"/> Customize

GTX-SA311-722J

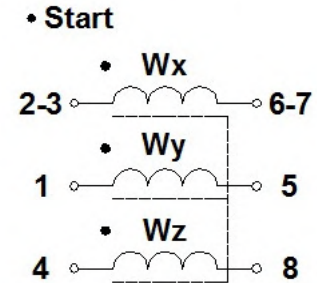
Dimension [mm] :



Recommend PCB Layout



Schematic



Size	A (+/-0.2)	B (+/-0.2)	C (+/-0.2)	D (+/-0.5)	E (+/-0.2)	F (+/-0.2)	G (+/-0.3)
SA311	11.60	13.00	11.30	3.00	4.20	0.75	6.00

Electrical Characteristics :

GOTREND PN	Winding	Inductance (mH) @125KHz, 1V	Q @125KHz, 1V	SRF (KHz) @1V	DCR (Ω)	Sensitivity (mVpp / App / m) @125KHz
GTX-SA311-722J	X (2-3 ~ 6-7)	7.2+/-5%	15.0 Min.	250 Min.	165.0 Max.	85.0 Min.
	Y (1 ~ 5)	7.2+/-5%	15.0 Min.	250 Min.	165.0 Max.	85.0 Min.
	Z (4 ~ 8)	7.2+/-5%	15.0 Min.	500 Min.	209.0 Max.	85.0 Min.

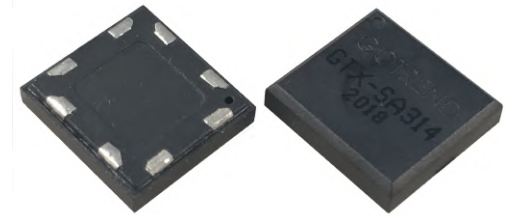
■ The electrical function test environment temperature is 25 °C

■ Sensitivity measured with Helmholtz coils 2 x 5 turns , 309 mm Φ , H = 7 App / m @125KHz.

Product Series : GTX	Brand : GOTREND
File Version : GTX-SA314-SERIES-V1R3	Editor : Teddy Sun
Established Date : 2014.06.01	Description : SMD Transformer
Latest Edit Date : 2020.11.06	Product Type : <input checked="" type="checkbox"/> Standard <input type="checkbox"/> Customize

Features & Application :

- 1.Encapsulated core and winding for anti-shock proof.
- 2.High Q and high sensitivity due to optimized magnetic material and electrode structure.
- 3.Wide inductance range for design flexibility.
- 4.Triaxial LF antenna coil.
- 5.Suitable as a Transponder Antenna Coil for TPMS and Keyless Entry System.(Vehicle application)



(Picture for reference only)

Part No. Example :

The same proportion type :

PN	:	GTX	SA314	<input type="checkbox"/>	-	472	J
-----		-----	-----	---		-----	---
ID	:	1	2	3		4	5

Non-proportionally type :

PN	:	GTX	SA314	<input type="checkbox"/>	-	A	
-----		-----	-----	---		---	
ID	:	1	2	3		6	

- 1 : GOTREND Series Code
- 2 : GOTREND Part Number
- 3 : Structure Code , N = Naked ; C = Combination
- 4 : Inductance : 472 = 4.7 mH
- 5 : Tolerance : J = 5% ; K = 10%
- 6 : For customer special design : A ~ Z

Basic Information :

Made in	China
Pin Foot	SMD
Shielding	No
J-STD-020	MSL Level 1
RoHS	Compliant
REACH	Compliant
Halogen	Free

Operating & Storage Condition :

- * Operating Temp -40 ~ +125 deg.C (Including self - temperature rise)
- * Storage Temp 1. -10 ~ +45 deg.C , 50 ~ 60% RH (Product with taping)
2. -40 ~ +125 deg.C (On board)
- * Storage Life Time 6 Month (Less than 20 deg.C and 65% RH)

Attention & Caution :

- * Keep out of Splashing water or salt water
- * Avoid Toxic Gas (Hydrogen sulfide, Sulfurous acid, Chlorine, Ammonia)
- Vibrations or shocks which exceed the specified condition
- Dew condense
- Layout near the edge of PCB
- Over flexure after SMT mounting & PCBA



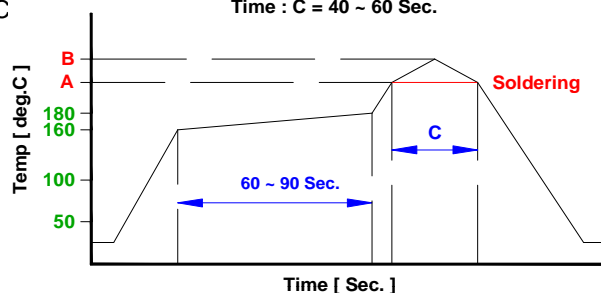
- * Pin foot or SMD pad solderability: Pb free type is best within 6 months after delivery
- * Humidity sensitive , IPC/JEDEC J-STD-020 MSL if over Level 1, recommend bake 30mins@150 degree before PCBA
- * Caution for human life relative applications : PLS contact & consult with GOTREND team in design stage.

Test Condition :

- * Equipment HP4284A , HP42841A - L , Q , DCR , IDC
HP8753D Network analyzer - SRF
- * Standard Atmosphere Conditions:
Ambient Temperature 20 ± 15 deg.C
Humidity RH 65 ± 20%
- * If there may be any doubt on the test result ,
Measurement shall be made within the following limits:
Ambient Temperature 25 ± 5 deg.C
Humidity RH 75 ± 10%

Recommend IR Reflow Curve : GTX-IR-FILE001

Lead Free Solder : A = 217 deg.C , B = 245+/-5 deg.C
Time : C = 40 ~ 60 Sec.

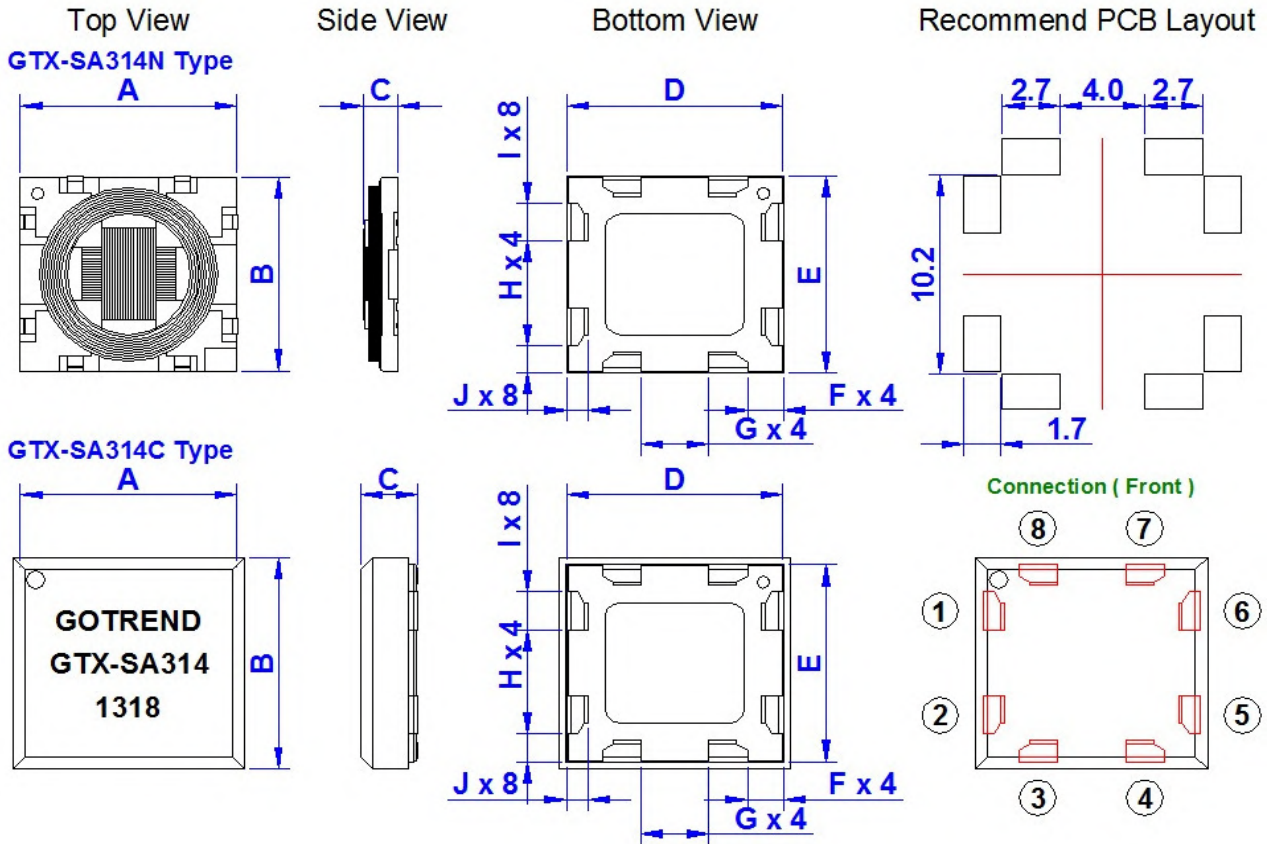


Notice : Iron Soldering , Solder < 30 Watt ,
Direct touch the terminal x 3 Sec. Max. @ 350 deg.C

Product Series : GTX	Brand : GOTREND
File Version : GTX-SA314-SERIES-V1R3	Editor : Teddy Sun
Established Date : 2014.06.01	Description : SMD Transformer
Latest Edit Date : 2020.11.06	Product Type : <input checked="" type="checkbox"/> Standard <input type="checkbox"/> Customize

GTX-SA314-SERIES

Dimension [mm] :



Size	A(+/-0.5)	B(+/-0.5)	C(+/-0.2)	D(+/-0.3)	E(+/-0.3)	F(Ref.)	G(Ref.)	H(Ref.)	I(Ref.)	J(Ref.)
SA314N	14.00	13.00	3.80	14.00	13.00	2.30	4.40	1.80	2.50	1.37
SA314C	15.00	14.00	3.80	14.00	13.00	2.30	4.40	1.80	2.50	1.37

Electrical Characteristics :

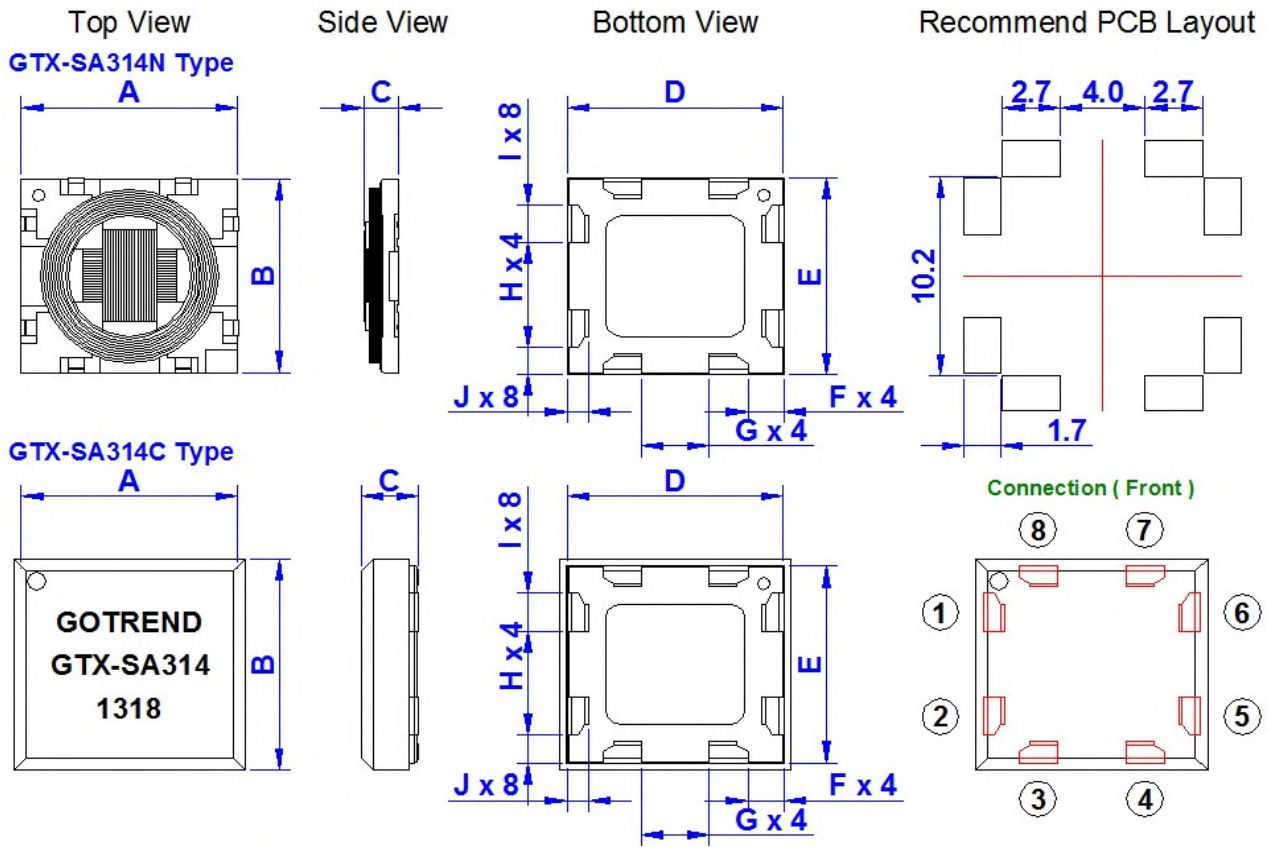
GOTREND PN	No.	Pin No.	Inductance (mH)	Q Typ.	SRF (KHz) Typ.	DCR (Ohm) Max.
GTX-SA314□-A	1	(X) 3 ~ 4	4.70	35.0	380	99.0
	2	(Y) 5 ~ 6	4.70	36.0	380	105.0
	3	(Z) 7 ~ 8	7.20	42.0	750	190.0
GTX-SA314□-B	1	(X) 1 ~ 6	3.30	25.0	450	90.0
	2	(Y) 3 ~ 8	3.30	25.0	450	90.0
	3	(Z) 4 ~ 7	6.20	22.0	800	175.0
GTX-SA314□-242J	1	(X) 1 ~ 5	2.47	23.0	500	78.0
	2	(Y) 2 ~ 6	2.47	23.0	500	78.0
	3	(Z) 3 ~ 7	2.47	23.0	1000	104.0
GTX-SA314□-252J	1	(X) 1 ~ 5	2.58	23.0	500	80.0
	2	(Y) 2 ~ 6	2.58	23.0	500	80.0
	3	(Z) 3 ~ 7	2.58	23.0	800	110.0
GTX-SA314□-342J	1	(X) 1 ~ 5	3.42	27.0	450	90.0
	2	(Y) 2 ~ 6	3.42	27.0	450	90.0
	3	(Z) 3 ~ 7	3.42	27.0	800	125.0

■ L-Tolerance : J = 5% ■ Inductance test Freq. : 125KHz / 1.0V

Product Series : GTX	Brand : GOTREND
File Version : GTX-SA314-SERIES-V1R3	Editor : Teddy Sun
Established Date : 2014.06.01	Description : SMD Transformer
Latest Edit Date : 2020.11.06	Product Type : <input checked="" type="checkbox"/> Standard <input type="checkbox"/> Customize

GTX-SA314-SERIES

Dimension [mm] :



Size	A(+/-0.5)	B(+/-0.5)	C(+/-0.2)	D(+/-0.3)	E(+/-0.3)	F(Ref.)	G(Ref.)	H(Ref.)	I(Ref.)	J(Ref.)
SA314N	14.00	13.00	3.80	14.00	13.00	2.30	4.40	1.80	2.50	1.37
SA314C	15.00	14.00	3.80	14.00	13.00	2.30	4.40	1.80	2.50	1.37

Electrical Characteristics :

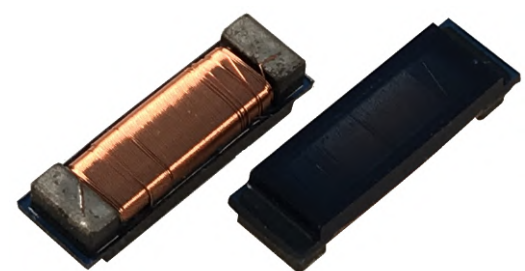
GOTREND PN	No.	Pin No.	Inductance (mH)	Q Typ.	SRF (KHz) Typ.	DCR (Ohm) Max.
GTX-SA314□-402J	1	(X) 1 ~ 5	4.05	27.0	400	100.0
	2	(Y) 2 ~ 6	4.05	27.0	400	100.0
	3	(Z) 3 ~ 7	4.05	27.0	800	135.0
GTX-SA314□-472J	1	(X) 1 ~ 5	4.77	28.0	380	108.0
	2	(Y) 2 ~ 6	4.77	28.0	380	108.0
	3	(Z) 3 ~ 7	4.77	28.0	800	148.0
GTX-SA314□-492J	1	(X) 1 ~ 5	4.91	27.0	350	109.0
	2	(Y) 2 ~ 6	4.91	27.0	350	109.0
	3	(Z) 3 ~ 7	4.91	27.0	750	150.0
GTX-SA314□-722J	1	(X) 1 ~ 5	7.20	30.0	330	133.0
	2	(Y) 2 ~ 6	7.20	30.0	330	133.0
	3	(Z) 3 ~ 7	7.20	30.0	750	190.0

■ L-Tolerance : J = 5% ■ Inductance test Freq. : 125KHz / 1.0V

Product Series : GRFT	Brand : GOTREND
File Version : GRFT-SERIES-V1R1	Editor : Teddy Sun
Established Date : 2020.06.18	Description : RF Transponder
Latest Edit Date : 2020.11.06	Product Type : <input checked="" type="checkbox"/> Standard <input type="checkbox"/> Customize

Features & Application :

- * Hearing Aid Compatibility / Telecoil-antennas.
- * Meets the T3 / T4 FCC requirements (HAC) . ANSI C63.19
- * T-coil / HAC-coil for hearing and aid compatible cell phones.
- * Decoupling in RF and IF-circuit.
- * Transponder antenna.



(Picture for reference only)

Part No. Example :

PN	:	GRFT	3225	P	-	102	<input type="checkbox"/>
-----		-----	-----	---		-----	----
ID	:	1	2	3		4	5
1	:	GOTREND Series Code					
2	:	Dimension Code : 3225 = (L) 3.6 x (W) 2.8 x (H) 2.6 mm					
3	:	RoHS Compliance					
4	:	Inductance : 102 = 1080 uH					
5	:	Tolerance : J = 5% , K = 10%					


Basic Information :

Made in	China
Pin Foot	SMD
Shielding	No
J-STD-020	MSL Level 1
RoHS	Compliant
REACH	Compliant
Halogen	Free

Operating & Storage Condition :

- * Operating Temp -40 ~ +125 deg.C (Including self - temperature rise)
- * Storage Temp 1. -10 ~ +45 deg.C , 50 ~ 60% RH (Product with taping)
2. -40 ~ +125 deg.C (On board)
- * Storage Life Time 6 Month (Less than 40 deg.C and 60% RH)

Attention & Caution :

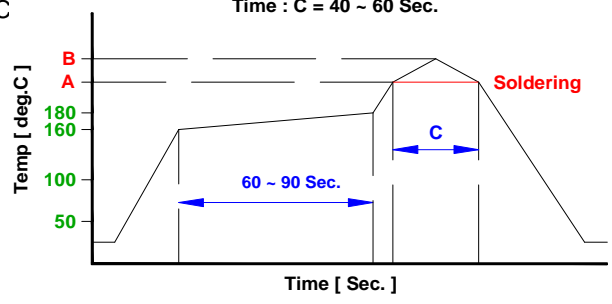
- * Keep out of Splashing water or salt water
- * Avoid Toxic Gas (Hydrogen sulfide, Sulfurous acid, Chlorine, Ammonia)
-  Vibrations or shocks which exceed the specified condition
- Dew condense
- Layout near the edge of PCB
- Over flexure after SMT mounting & PCBA
- * Pin foot or SMD pad solderability: Pb free type is best within 6 months after delivery
- * Humidity sensitive , IPC/JEDEC J-STD-020 MSL if over Level 1, recommend bake 30mins@150 degree before PCBA
- * Caution for human life relative applications : PLS contact & consult with GOTREND team in design stage.

Test Condition :

- * Equipment HP4284A , HP42841A - L , Q , DCR , IDC
HP8753D Network analyzer - SRF
- * Standard Atmosphere Conditions:
Ambient Temperature 20 ± 15 deg.C
Humidity RH 65 ± 20%
- * If there may be any doubt on the test result ,
Measurement shall be made within the following limits:
Ambient Temperature 25 ± 5 deg.C
Humidity RH 75 ± 10%

Recommend IR Reflow Curve : GTX-IR-FILE001

Lead Free Solder : A = 217 deg.C , B = 245+/-5 deg.C
Time : C = 40 ~ 60 Sec.

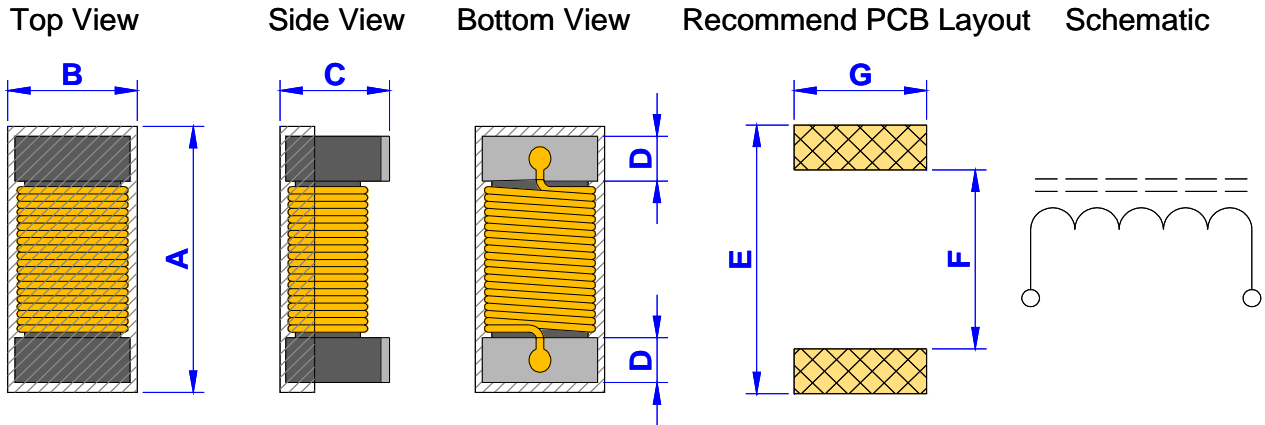


**Notice : Iron Soldering , Solder < 30 Watt ,
Direct touch the terminal x 3 Sec. Max. @ 350 deg.C**

Product Series : GRFT	Brand : GOTREND
File Version : GRFT-SERIES-V1R1	Editor : Teddy Sun
Established Date : 2020.06.18	Description : RF Transponder
Latest Edit Date : 2020.11.06	Product Type : <input checked="" type="checkbox"/> Standard <input type="checkbox"/> Customize

GRFT3225P-SERIES

Dimension [mm] :



Size	A	B	C	D	E	F	G
3225	3.6 Max.	2.8 Max.	2.6 Max.	0.55+/-0.1	3.82 Ref.	1.78 Ref.	2.8 Ref.

Electrical Characteristics :

Part No.	Inductance (uH)	Freq. L @ (KHz)	Q @125KHz Min.	SRF (MHz) Min.	DCR (Ω) Max.	Rated Current (mA) Max.
GRFT3225P-102 <input type="checkbox"/>	1080	125	15.0	1.5	35.0	50.0
GRFT3225P-132 <input type="checkbox"/>	1340	125	15.0	1.5	42.0	50.0

* L-Tolerance : J = 5% , K = 10%

* All test data referenced to 25°C ambient.

* Rated current (I_{rms}) will cause the coil temperature rise approximately ΔT of 20°C

* This product final operating temperature (Ambient + product temperature rise) should not exceed 125deg.C as highest operating temperature.

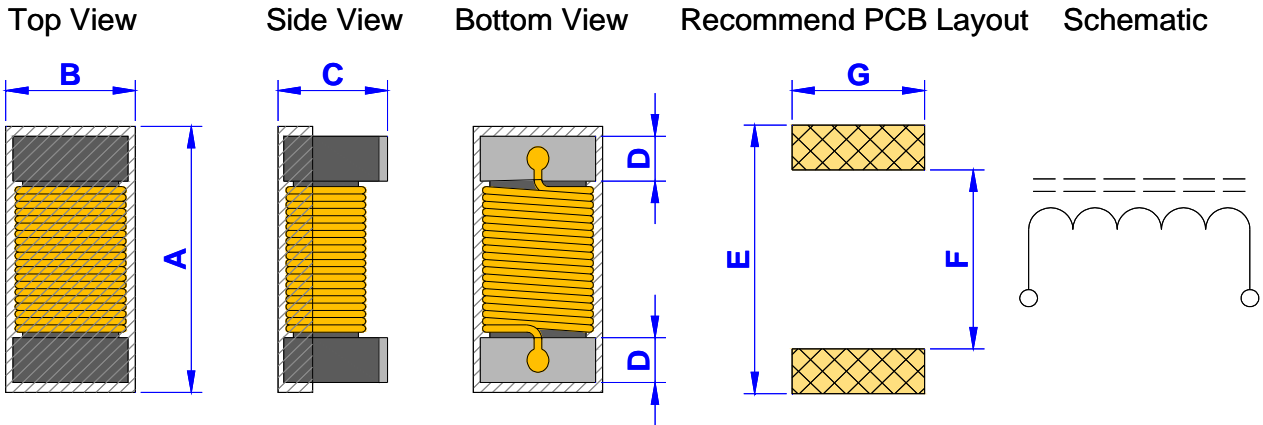
Circuit design, component placement, PCB trace size and thickness, airflow and other cooling provision will impact this product temperature.

Part temperature should be verified in the end application.

Product Series : GRFT	Brand : GOTREND
File Version : GRFT-SERIES-V1R1	Editor : Teddy Sun
Established Date : 2020.06.18	Description : RF Transponder
Latest Edit Date : 2020.11.06	Product Type : <input checked="" type="checkbox"/> Standard <input type="checkbox"/> Customize

GRFT4420P-SERIES

Dimension [mm] :



Size	A	B	C	D	E	F	G
4420	4.75+/-0.2	2.25+/-0.2	1.8+/-0.3	0.8 Ref.	4.8 Ref.	3.2 Ref.	2.3 Ref.

Electrical Characteristics :

Part No.	Inductance (uH)	Freq. L (KHz)	SRF (MHz)	DCR (Ω)	Rated current (mA)
GRFT4220P-252M	2500	10	1.0 Min.	82.0+/-10%	40.0 Max.
GRFT4220P-352K	3500	10	1.0 Min.	85.0 Max.	20.0 Max.

* L-Tolerance : K = 10% , M = 20%

* All test data referenced to 25°C ambient.

* Rated current (I_{rms}) will cause the coil temperature rise approximately ΔT of 20°C

* This product final operating temperature (Ambient + product temperature rise) should not exceed 125deg.C as highest operating temperature.

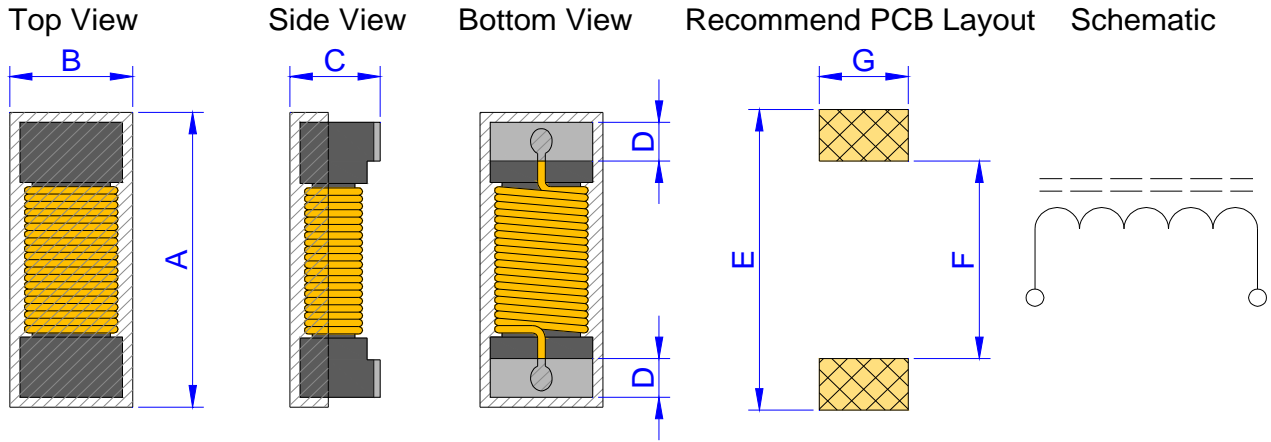
Circuit design, component placement, PCB trace size and thickness, airflow and other cooling provision will impact this product temperature.

Part temperature should be verified in the end application.

Product Series : GRFT	Brand : GOTREND
File Version : GRFT-SERIES-V1R1	Editor : Teddy Sun
Established Date : 2020.06.18	Description : RF Transponder
Latest Edit Date : 2020.11.06	Product Type : <input checked="" type="checkbox"/> Standard <input type="checkbox"/> Customize

GRFT6420P-SERIES

Dimension [mm] :



Size	A	B	C	D	E	F	G
6420	6.4+/-0.3	2.3+/-0.2	1.8+/-0.2	0.9 Ref.	7.0 Ref.	4.6 Ref.	2.0 Ref.

Electrical Characteristics :

Part No.	Inductance (uH)	Freq. L (KHz)	SRF (KHz)	DCR (Ω)	Rated current (mA)
GRFT6420P-522J	5200	125	520 Min.	113.0 Max.	30.0 Max.
GRFT6420P-622J	6200	125	488 Min.	123.0 Max.	30.0 Max.
GRFT6420P-702J	7000	125	420 Min.	125.0 Max.	20.0 Max.
GRFT6420P-722K	7200	125	450 Min.	130.0 Max.	15.0 Max.

* L-Tolerance : J = 5% , K = 10%

* All test data referenced to 25°C ambient.

* Rated current (Irms) will cause the coil temperature rise approximately ΔT of 20°C

* This product final operating temperature (Ambient + product temperature rise) should not exceed 125deg.C as highest operating temperature.

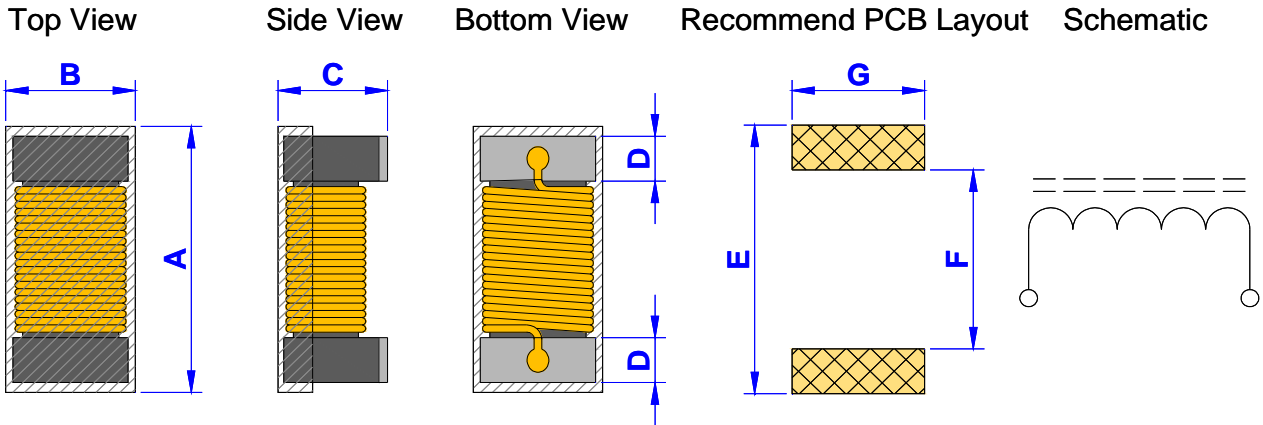
Circuit design, component placement, PCB trace size and thickness, airflow and other cooling provision will impact this product temperature.

Part temperature should be verified in the end application.

Product Series : GRFT	Brand : GOTREND
File Version : GRFT-SERIES-V1R1	Editor : Teddy Sun
Established Date : 2020.06.18	Description : RF Transponder
Latest Edit Date : 2020.11.06	Product Type : <input checked="" type="checkbox"/> Standard <input type="checkbox"/> Customize

GRFT8027P-SERIES

Dimension [mm] :



Size	A	B	C	D	E	F	G
8027	7.85 Max.	2.7 Max.	2.7 Max.	1.15 Ref.	9.5 Ref.	5.2 Ref.	2.9 Ref.

Electrical Characteristics :

Part No.	Inductance (uH)	Freq. L (KHz)	Q @125KHz	DCR (Ω)	Rated current (mA)
GRFT8027P-452H	4500	125	30 Typ.	80.0 Max.	20.0 Max.
GRFT8027P-492H	4900	125	30 Typ.	85.0 Max.	20.0 Max.
GRFT8027P-722H	7200	125	35 Typ.	105.0 Max.	20.0 Max.
GRFT8027P-193H	18520	125	35 Typ.	240.0 Max.	20.0 Max.

* L-Tolerance : H = 3%

* All test data referenced to 25°C ambient.

* Rated current (Irms) will cause the coil temperature rise approximately ΔT of 20°C

* This product final operating temperature (Ambient + product temperature rise) should not exceed 125deg.C as highest operating temperature.

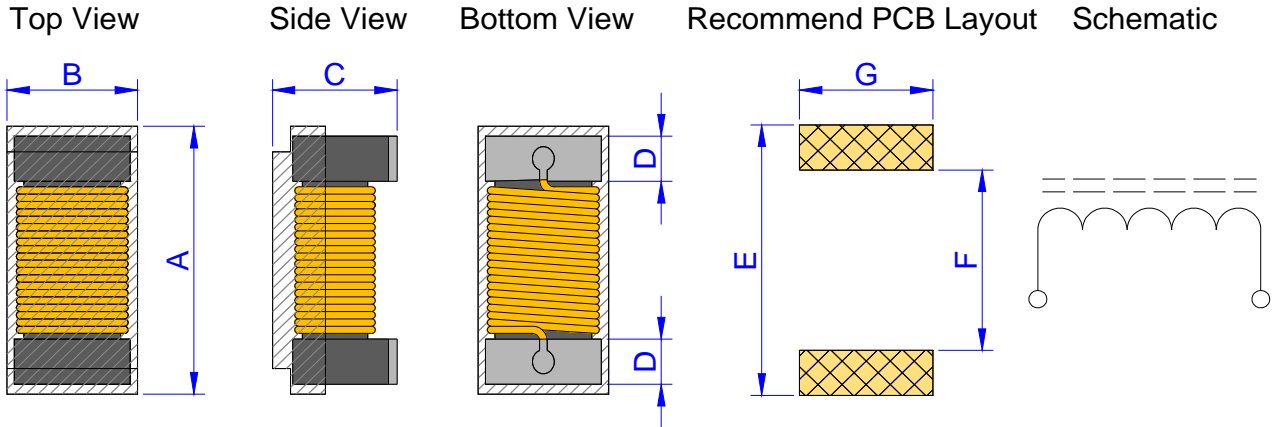
Circuit design, component placement, PCB trace size and thickness, airflow and other cooling provision will impact this product temperature.

Part temperature should be verified in the end application.

Product Series : GRFT	Brand : GOTREND
File Version : GRFT-SERIES-V1R1	Editor : Teddy Sun
Established Date : 2020.06.18	Description : RF Transponder
Latest Edit Date : 2020.11.06	Product Type : <input checked="" type="checkbox"/> Standard <input type="checkbox"/> Customize

GRFT1225P-SERIES

Dimension [mm] :



Size	A	B	C	D	E	F	G
1225	11.6+/-0.3	3.8+/-0.3	2.5+/-0.3	1.5 Ref.	11.6 Ref.	8.0 Ref.	3.6 Ref.

Electrical Characteristics :

Part No.	Inductance (uH)	Freq. L (KHz)	Q @125KHz	SRF (MHz)	DCR (Ω)	Rated current (mA)
GRFT1225P-101H	100	125	20.0 Min.	20.0 Min.	3.0 Max.	300.0 Max.
GRFT1225P-201H	200	125	20.0 Min.	2.0 Min.	6.0 Max.	200.0 Max.
GRFT1225P-492H	4900	125	20.0 Min.	0.34 Min.	50.0 Max.	50.0 Max.
GRFT1225P-722H	7200	125	40.0 Min.	0.3 Min.	40.0 Max.	50.0 Max.

* L-Tolerance : H = 3%

* All test data referenced to 25°C ambient.

* Rated current (Irms) will cause the coil temperature rise approximately ΔT of 20°C

* This product final operating temperature (Ambient + product temperature rise) should not exceed 125deg.C as highest operating temperature.

Circuit design, component placement, PCB trace size and thickness, airflow and other cooling provision will impact this product temperature.

Part temperature should be verified in the end application.



GOTREND



高創科技股份有限公司

新北市中和區建一路186號H棟17樓 (遠東世紀廣場)

GOTREND Technology Co.,LTD.

17F, No. 186, Jian 1st Road, Zhonghe District, New Taipei City 235, Taiwan (R.O.C.)

Tel: +886-2-82271808 Fax: +886-2-82271908

Website: <https://www.gotrend.com.tw>

Email: service@gotrend.com.tw

LinkedIn: <https://www.linkedin.com/company/gotrend-technology-co-ltd/>



高創官方網站
GOTREND Website



廣州研發生產物流中心
GuanZhou Factory



湖南岳陽分廠
HuNan Factory



陝西漢中勉縣分廠
ShannXi Factory



廣西賓陽分廠
GuangXi Factory